

# COLOR SWEEP™

American DJ®



## User Instructions

American DJ®  
4295 Charter Street  
Los Angeles Ca. 90058  
www.americandj.com

### COLOR SWEEP™

### Introduction

#### **General instructions:**

To optimize the performance of this product, please read these operating instructions carefully to familiarize yourself with the basic operations of this unit. These instructions contain important safety information regarding the use and maintenance of this unit. Please keep this manual with the unit, for future reference.

#### **Unpacking:**

Thank you for purchasing the Color Sweep™ by American DJ®. Every Color Sweep™ has been thoroughly tested and has been shipped in perfect operating condition. Carefully check the shipping carton for damage that may have occurred during shipping. If the carton appears to be damaged, carefully inspect your unit for any damage and be sure all equipment necessary to operate the system has arrived intact. In the event damage has been found or parts are missing, please contact our toll free customer support number for further instructions. Please do not return the unit to your dealer without first contacting customer support.

#### **Customer Support:**

American DJ® provides a toll free customer support line, to provide set up help and to answer any question should you encounter problems during your set up or initial operation. You may also visit us on the web at [www.americandj.com](http://www.americandj.com) for any comments or suggestions. For service related issue please contact American DJ®. Service Hours are Monday through Friday 9:00 a.m. to 5:00 p.m. Pacific Standard Time.

Voice: (800) 322-6337  
Fax: (323) 582-2610  
E-mail: [support@americandj.com](mailto:support@americandj.com)

**Warning!** To prevent or reduce the risk of electrical shock or fire, do not expose this unit to rain or moisture.

**Caution!** There are no user serviceable parts inside this unit. Do not attempt any repairs yourself, doing so will void your manufactures warranty. In the unlikely event your unit may require service please contact your nearest American DJ dealer.

**PLEASE do not discard the shipping carton in the trash. Please recycle when ever possible.**

## Color Sweep™

## Warranty Registration

The Color Sweep™ carries a one year (365 days) limited warranty. Please fill out the enclosed warranty card to validate your purchase. All returned service items whether under warranty or not, must be freight pre-paid and accompany a return authorization (R.A.) number. If the unit is under warranty you must provide a copy of your proof of purchase invoice. Please contact American DJ® customer support for a R.A. number.

## COLOR SWEEP™

## Precautions

**Safety Issue:** This unit may blow a fuse if the maximum allotted load of 3 amps is reached. If the fuse needs replacement, please see the fuse replacement guidelines on page 5.

- Be sure the local power outlet match the required voltage of the unit.
- Disconnect from main power before making any type of connection.
- Do not remove the cover under any conditions. There are no user serviceable parts inside.
- Always be sure to mount this unit in an area that will allow proper ventilation. Allow about 6" (15cm) between this device and a wall.
- To reduce the risk of electrical shock or fire, do not expose this unit rain or moisture
- This unit is intended for indoor use only, use of this product outdoors voids all warranties.
- During long periods of non-use, disconnect the unit's main power.
- Always mount this unit in safe and stable matter.
- Power-Cord Protection - Power-supply cords should be routed so that they are not likely to be walked on or pinched by items placed upon or against them, paying particular attention to cords at plugs, convenience receptacles, and the point where they exit from the fixture. Do not attempt to remove or break off the ground prong from the electrical cord. This prong is used to reduce the risk of electrical shock and fire in case of an internal short.
- The fixture should be serviced by qualified service personnel when:
  - A. The power cord or the plug has been damaged.
  - B. Objects have fallen, or liquid has been spilled into the appliance.
  - C. The appliance has been exposed to rain or water.
  - D. The fixture does not appear to operate normally or exhibits a marked change in performance.

## Color Sweep™

## Operation

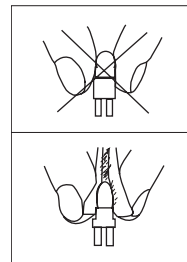
**Introduction:** The American DJ® Color Sweep™ is a easy to use, chasing/strobing color effect. This unit is sound-active and has two different activity control knobs. This fixture is designed for mobile DJ's, clubs, bands, roller rinks and any arena that requires a easy to use unit. After plugging in the unit, if there is no lamp output, check the fuse and bulbs. If the fuse and bulbs are good, please contact customer support for further instructions. This fixture features a light weight case design and an adjustable hanging bracket.

**Power Supply:** Before plugging your unit in, make sure that the voltage selector switch on the side of the unit is set to match the voltage in your area.

**General Operation:** This fixture is designed to operate as a stand alone unit, there is no need of a controller. It has been tested and the lamp has been installed at the factory there is no assembly necessary. The Color Sweep™ is ready to be plugged in out of the box, there is no power switch. When this fixture is plugged in, the units internal colored crown will rotate, as well as shutter wheel. This unit comes with a speed control knob and a sound sensitivity knob, both are located on the side of the unit. The speed control knob controls the speed of the internal colored crown. The sound sensitivity knob controls the sensitivity of the microphone. The shutter wheel turns according to the sound sensitivity of the microphone. Use the sound sensitivity knob to make the units' shutter wheel more or less sensitive to sound. Turning the knob in a clockwise direction will make the unit more sensitive to sound, turning the knob in a counter-clockwise direction will make the unit less sensitive to sound. Turning the knob completely to the counter-clockwise direction will turn off the audio sensitivity.

## Color Sweep™

## Halogen Lamp Warning



This fixture is fitted with halogen lamps which are highly susceptible to damage if improperly handled. Never touch the lamps with your bare fingers as the oil from your hands will shorten lamp life. Also, never move the fixture until the lamps have had ample time to cool. Remember, lamps are not covered under warranty conditions.

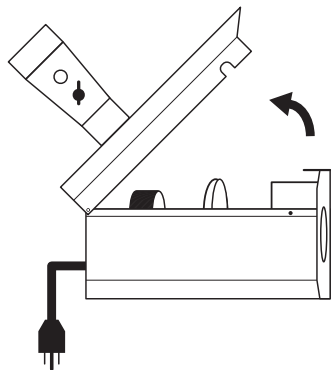
**Caution:** Always replace with the exact same type lamp and fuse, unless otherwise specified by an authorized American DJ® technician. Replacing with anything other than the specified part can damage your unit and will void your manufacturer's warranty.

**Warning:** If after you have replaced the lamp or fuse and you continue to blow either one, STOP using the unit. Contact customer support for further instructions, you may have to return the unit for servicing. Continuing to use the unit may cause serious damage.

**Fuse Replacement:** Disconnect the unit's main power supply. Insert a standard flat head screw driver in to the fuse holder housing. Turn the screwdriver in counter-clockwise direction to unscrew the fuse holder. Remove the fuse holder to expose the fuse. Remove the old fuse and discard it. Replace the fuse with the same type and insert the fuse holder.

**Lamp Replacement:** Caution! Never attempt to change the lamps when the fixture is plugged in. Always disconnect the main power and allow the unit ample time to cool before attempting to replace the lamps. Lamp replacement has been made simple by incorporating the use of a flip-up front cover that is retained by thumb screws.

1. Be sure to follow the proper procedures when handling halogen lamps. **Never touch the new lamp with your bare fingers.**
2. Loosen the thumb screws located on the top of the unit.
3. Carefully pull up the front cover.
4. Remove and replace the bad lamp, then close and tighten the cover.



Lift the fan cover to expose the lamp socket assembly.

### Fixture Cleaning:

Due to fog residue, smoke, and dust cleaning the internal and external optical lenses and mirror should be carried out periodically to optimize light output. Cleaning frequency depends on the environment in which the fixture operates (i.e. smoke, fog residue, dust, dew). In heavy club use we recommend cleaning on a monthly basis. Periodic cleaning will ensure longevity, and crisp output.

1. Use normal glass cleaner and a soft cloth to wipe down the outside casing.
2. Use a brush to wipe down the fan grill.
3. Clean the external optics and mirror with glass cleaner and a soft cloth every 20 days.
4. Clean the internal optics with glass cleaner and a soft cloth every 30-60 days.
5. Always be sure to dry all parts completely before plugging the unit back in.

### Trouble Shooting:

Listed below are a few common problems that you may encounter, with solutions.

#### No light output from the unit;

1. Be sure you have connected your unit into a matching wall power outlet.
2. Be sure the external fuse has not blown. The fuse is located on the rear panel.
3. Remove the lamp cover and be sure the lamp is seated in the socket properly. Occasionally lamps become loose during shipping be sure the lamp is pushed in to its socket all the way.

#### Unit does not respond to sound;

1. Low frequencies (bass) should cause the unit to react to sound. Tapping on the microphone, quiet or high pitched sounds may not activate the unit.
2. Be sure the sound sensitivity knobs are not turned off (turned completely in the counter-clockwise direction.)

**1 YEAR (365 DAYS) LIMITED WARRANTY**

A. American DJ® hereby warrants, to the original purchaser, American DJ® products to be free of manufacturing defects in material and workmanship for a period of one year (365 days) from the date of purchase. This warranty shall be valid only if the product is purchased within the United States of America, including possessions and territories. It is the owner's responsibility to establish the date and place of purchase by acceptable evidence, at the time service is sought.

B. For warranty service, send the product only to the American DJ® factory. All shipping charges must be pre-paid. If the requested repairs or service (including parts replacement) are within the terms of this warranty, American DJ® will pay return shipping charges only to a designated point within the United States. If the entire instrument is sent, it must be shipped in its original package. No accessories should be shipped with the product. If any accessories are shipped with the product, American DJ® shall have no liability whatsoever for loss of or damage to any such accessories, nor for the safe return thereof.

C. This warranty is void if the serial number has been altered or removed; if the product is modified in any manner which American DJ® concludes, after inspection, affects the reliability of the product; if the product has been repaired or serviced by anyone other than the American DJ® factory unless prior written authorization was issued to purchaser by American DJ®; if the product is damaged because not properly maintained as set forth in the instruction manual.

D. This is not a service contract, and this warranty does not include maintenance, cleaning or periodic check-up. During the period specified above, American DJ® will replace defective parts at its expense, and will absorb all expenses for warranty service and repair labor by reason of defects in material or workmanship. The sole responsibility of American DJ® under this warranty shall be limited to the repair of the product, or replacement thereof, including parts, at the sole discretion of American DJ®. All products covered by this warranty were manufactured after January 1, 1990, and bear identifying marks to that effect.

E. American DJ® reserves the right to make changes in design and/or improvements upon its products without any obligation to include these changes in any products theretofore manufactured.

F. No warranty, whether expressed or implied, is given or made with respect to any accessory supplied with products described above. Except to the extent prohibited by applicable law, all implied warranties made by American DJ® in connection with this product, including warranties of merchantability or fitness, are limited in duration to the warranty period set forth above. And no warranties, whether expressed or implied, including warranties of merchantability or fitness, shall apply to this product after said period has expired. The consumer's and or Dealer's sole remedy shall be such repair or replacement as is expressly provided above; and under no circumstances shall American DJ® be liable for any loss or damage, direct or consequential, arising out of the use of, or inability to use, this product.

G. This warranty is the only written warranty applicable to American DJ® Products and supersedes all prior warranties and written descriptions of warranty terms and conditions heretofore published.

H. Lamps are not covered under this or any other warranty either written or implied.

**Technical Specifications:****Model: Color Sweep™**

<b>Lamps:</b>	1 x LL-EVD 36V/400W
<b>Voltage*:</b>	120v~60Hz or 220v~50/60Hz
<b>Dimensions:</b>	14.5"(L) x 14.5"(W) x 8.5"(H)
<b>Colors:</b>	5 plus White
<b>Gobos:</b>	None
<b>Weight:</b>	25 Lbs./ 11.4 Kgs.
<b>Fuse:</b>	5 Amp
<b>Duty Cycle:</b>	None
<b>Ventilation:</b>	Fan Cooled
<b>Warranty:</b>	One Year (365 Days)

\* Voltage is preset at the factory and is not user selectable

**Please Note:** Specifications and improvements in the design of this unit and this manual are subject to change without any prior written notice.

For service parts visit <http://parts.americandj.com>

©American DJ Supply®

American DJ Group of Companies World Headquarters:

4295 Charter Street Los Angeles, CA 90058 USA

Tel: 323-582-2650 / Fax: 323-582-2610

Web: [www.americandj.com](http://www.americandj.com) / E-mail: [info@americandj.com](mailto:info@americandj.com)