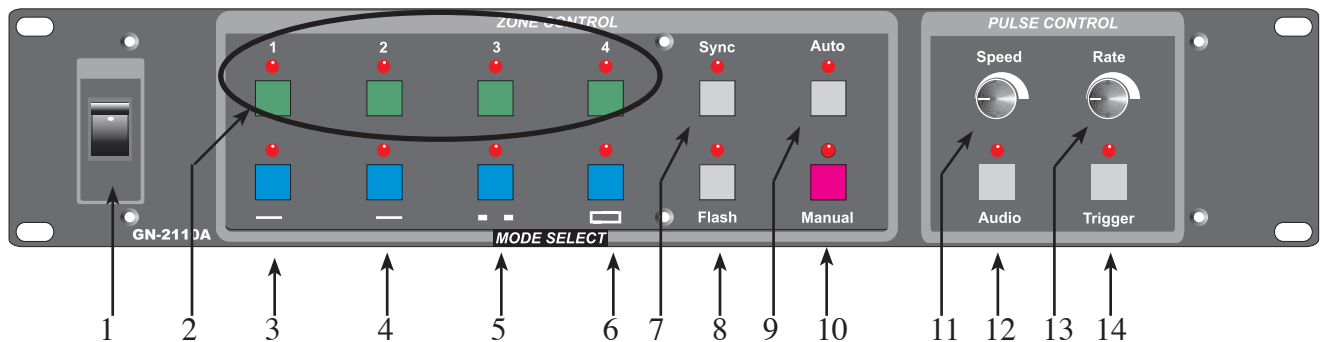


FLASH 2C - Flash Tube Controller

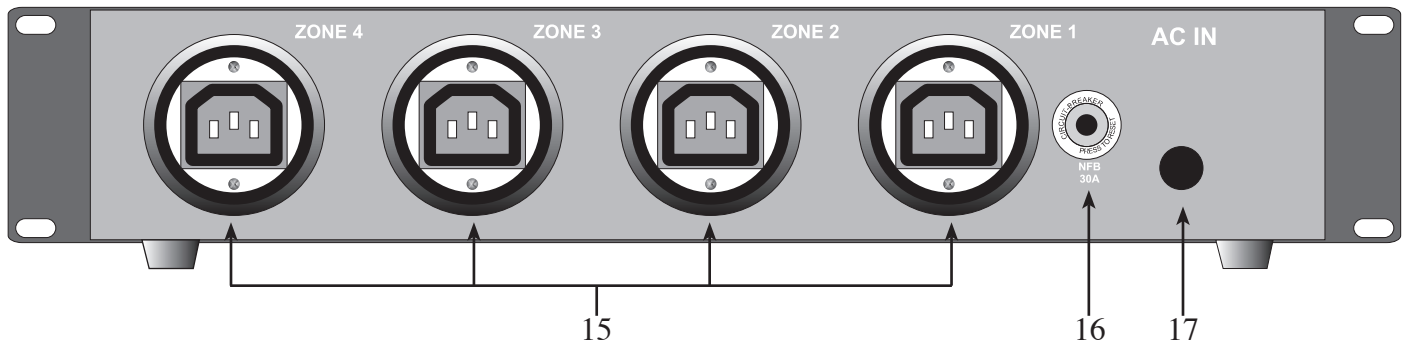


FEATURES:

- THREE TRIGGER OPTIONS: AUDIO, MANUAL, AND AUTOMATIC
- PUSH BUTTON CONVENIENCE
- 19" RACK MOUNT, LED DISPLAY
- 4 FLASH PATTERNS: DOWN AND BACK, CRISSCROSS, BACK TO FRONT, AND FRONT TO BACK
- SPEED AND RATE CONTROL

CONTROLS AND FUNCTIONS:

1. **MASTER ON/OFF SWITCH** - Press this button to switch the controller on and off.
2. **LINE ON/OFF SWITCHES** - These are on/off switches for the 4 flash tube lines.
3. **→ BUTTON** - This button will activate the down and back pattern.
4. **← BUTTON** - This button will activate the crisscross pattern.
5. **↔ BUTTON** - This button will make the flash tubes run from the last tube to the first tube in the line.
6. **↻ BUTTON** - This button will make the flash tube run from the first tube to the last tube in the line.
7. **SYNC BUTTON** - Activates all 4 flash tube lines.
8. **FLASH BUTTON** - This button will activate the fastest speed and rate times.
9. **AUTO BUTTON** - This button will activate each flash tube line one-by-one. Starting with line 1, then line 2, etc.....
10. **MANUAL BUTTON** - This button allows you to manually trigger flash tube runs. First press this button, and then press the trigger button to activate the runs.
11. **SPEED CONTROL** - With this knob you can control the speed of the flash tube patterns.
12. **AUDIO BUTTON** - This button activates sound active mode.
13. **RATE CONTROL** - With this knob you can control the time of the flash in the flash tubes.
14. **TRIGGER BUTTON** - This will activate a run when the controller is in Manual mode.

FLASH 2C - Flash Tube Controller**CONNECTIONS AND FUNCTIONS:**

15. FLASH TUBE CONTROLLER SOCKETS - Connect your flash tubes to these sockets.

16. BREAKER - This unit is equipped with a built-in 30 Amp safety breaker. This breaker is designed to close the power circuit in the event of an internal short or power surge. This will reduce the risk of electrical shock or fire and protect the circuitry. To reset the breaker, push the breaker button in until you hear it “pop” back in to place. If the breaker continues to pop, stop using the unit and contact our customer support team, the unit may need to be returned for service.

17. POWER CORD - This cord is used to supply main power to the fixture. Be sure the main power matches the required power of your fixture. The rated power requirements are clearly marked on the rear panel of the unit.

OPERATING INSTRUCTIONS:

1. Attach your flash tubes to the Flash Tube Sockets located on the back of the controller.

Note: After every flash tube, connect a booster, and at the end of the flash tube line, you need to connect a terminator.

2. Now plug the controller into matching power outlet.

3. Follow the functions on the front page to control the speed, rate, and patterns you desire.

Specifications:

Model - Flash 2C

Maximum load: 15 amps or 1800 watts per relay pack (using separate circuit for each).

Size: SC-8FC - 19" x 2" x 2"

SC-RP8 - 19" x 5" x 2"

System weight: 13lbs.