

American DJ® MEGA TRI BAR



User Instructions

Mega Tri Bar™

Introduction

Unpacking: Thank you for purchasing the Mega Tri Bar™ by American DJ®. Every Mega Tri Bar™ has been thoroughly tested and has been shipped in perfect operating condition. Carefully check the shipping carton for damage that may have occurred during shipping. If the carton appears to be damaged, carefully inspect your fixture for any damage and be sure all accessories necessary to operate the unit has arrived intact. In the case damage has been found or parts are missing, please contact our toll free customer support number for further instructions. Do not return this unit to your dealer without first contacting customer support.

Introduction: The Mega Tri Bar™ is part of American DJ's continuing pursuit for creating high quality affordable intelligent fixtures. The Mega Tri Bar™ is a DMX intelligent LED color bar. This wash can be used in a stand alone mode or connected in a Master/Slave configuration. The unit can also be controlled via DMX controller. This wash has five operating modes: Sound Active mode, Auto mode, Program mode, RGB mode and DMX control mode.

Customer Support: American DJ® provides a toll free customer support line, to provide set up help and to answer any question should you encounter problems during your set up or initial operation. You may also visit us on the web at www.americandj.com for any comments or suggestions. Service Hours are Monday through Friday 9:00 a.m. to 4:30 p.m. Pacific Standard Time.

Voice: (800) 322-6337

Fax: (323) 582-2941

E-mail: support@americandj.com

To purchase parts online visit <http://parts.americandj.com>

Warning! To prevent or reduce the risk of electrical shock or fire, do not expose this unit to rain or moisture.

Caution! There are no user serviceable parts inside this unit. Do not attempt any repairs yourself, doing so will void your manufactures warranty. In the unlikely event your unit may require service please contact American DJ®.

PLEASE recycle the shipping carton when ever possible.

Mega Tri Bar™

General Instructions

To optimize the performance of this product, please read these operating instructions carefully to familiarize yourself with the basic operations of this unit. These instructions contain important safety information regarding the use and maintenance of this unit. Please keep this manual with the unit, for future reference.

Mega Tri Bar™

Features

- Multicolors
- Electronic Dimming 0-100%
- Built in Microphone
- 5 Operating Modes
- DMX-512 protocol
- 7 DMX Channel Modes
- IR Wireless Remote Control Compatible (Not Included)

Mega Tri Bar™

Warranty Registration

The Mega Tri Bar™ carries a 3 year (1095 days) limited warranty. Please fill out the enclosed warranty card to validate your purchase and warranty. You may also register your product online at www.americandj.com. All returned service items whether under warranty or not, must be freight pre-paid and accompany a return authorization (R.A.) number. If the unit is under warranty you must provide a copy of your proof of purchase invoice. Please contact American DJ® customer support for a R.A. number.

Mega Tri Bar™

Safety Precautions

- To reduce the risk of electrical shock or fire, do not expose this unit rain or moisture
- Do not spill water or other liquids into or on to your unit.
- Be sure that the local power outlet match that of the required voltage for your unit.
- Do not attempt to operate this unit if the power cord has been frayed or broken. Do not attempt to remove or break off the ground prong from the electrical cord. This prong is used to reduce the risk of electrical shock and fire in case of an internal short.
- Disconnect from main power before making any type of connection.
- Do not remove the cover under any conditions. There are no user serviceable parts inside.
- Never operate this unit when it's cover is removed.
- Never plug this unit in to a dimmer pack
- Always be sure to mount this unit in an area that will allow proper ventilation. Allow about 6" (15cm) between this device and a wall.
- Do not attempt to operate this unit, if it becomes damaged.
- This unit is intended for indoor use only, use of this product outdoors voids all warranties.
- During long periods of non-use, disconnect the unit's main power.
- Always mount this unit in safe and stable matter.
- Power-supply cords should be routed so that they are not likely to be walked on or pinched by items placed upon or against them, paying particular attention to the point they exit from the unit.
- Cleaning -The fixture should be cleaned only as recommended by the manufacturer. See page 11 for cleaning details.
- Heat -The appliance should be situated away from heat sources such as radiators, heat registers, stoves, or other appliances (including amplifiers) that produce heat.
- The fixture should be serviced by qualified service personnel when:
 - A. The power-supply cord or the plug has been damaged.
 - B. Objects have fallen, or liquid has been spilled into the appliance.
 - C. The appliance has been exposed to rain or water.
 - D. The appliance does not appear to operate normally or exhibits a marked change in performance.

Power Supply: The Mega Tri Bar™ contains an electronic ballast, which will auto sense the voltage when it is plugged into the power source. With the electronic ballast you do not need to worry about wall voltage, this unit can be plugged in anywhere. Also be sure to only use the included I.E.C. power cable supplied with the unit.

DMX-512: DMX is short for Digital Multiplex. This is a universal protocol used as a form of communication between intelligent fixtures and controllers. A DMX controller sends DMX data instructions from the controller to the fixture. DMX data is sent as serial data that travels from fixture to fixture via the DATA “IN” and DATA “OUT” XLR terminals located on all DMX fixtures (most controllers only have a DATA “OUT” terminal).

DMX Linking: DMX is a language allowing all makes and models of different manufactures to be linked together and operate from a single controller, as long as all fixtures and the controller are DMX compliant. To ensure proper DMX data transmission, when using several DMX fixtures try to use the shortest cable path possible. The order in which fixtures are connected in a DMX line does not influence the DMX addressing. For example; a fixture assigned a DMX address of 1 may be placed anywhere in a DMX line, at the beginning, at the end, or anywhere in the middle. When a fixture is assigned a DMX address of 1, the DMX controller knows to send DATA assigned to address 1 to that unit, no matter where it is located in the DMX chain.

Data Cable (DMX Cable) Requirements (For DMX Operation):

The Mega Tri Bar™ has 7 DMX channel DMX modes. The DMX address is set on the back panel of the Mega Tri Bar™. Your unit and your DMX controller require a approved DMX-512 110 Ohm Data cable for data input and data output (Figure 1). We recommend Accu-Cable DMX cables. If you are making your own cables, be sure to use standard 110-120 Ohm shielded cable (This cable may be purchased at almost all professional sound and lighting stores). Your cables should be made with a male and female XLR connector on either end of the cable. Also remember that DMX cable must be daisy chained and cannot be split.



Figure 1

Notice: Be sure to follow figures two and three when making your own cables. Do not use the ground lug on the XLR connector. Do not connect the cable’s shield conductor to the ground lug or allow the shield conductor to come in contact with the XLR’s outer casing. Grounding the shield could cause a short circuit and erratic behavior.

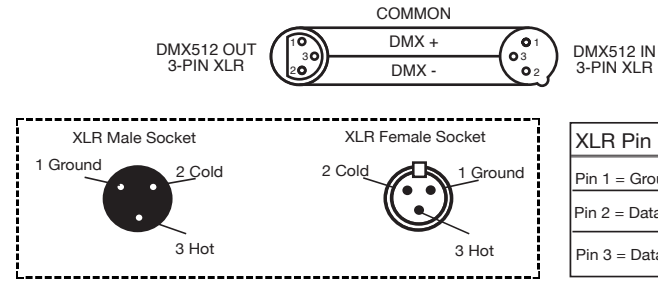


Figure 2

Figure 3

Special Note: Line Termination. When longer runs of cable are used, you may need to use a terminator on the last unit to avoid erratic behavior. A terminator is a 110-120 ohm 1/4 watt resistor which is connected between pins 2 and 3 of a male XLR connector (DATA + and DATA -). This unit is inserted in the female XLR connector of the last unit in your daisy chain to terminate the line. Using a cable terminator (ADJ part number Z-DMX/T) will decrease the possibilities of erratic behavior.



Termination reduces signal errors and avoids signal transmission problems and interference. It is always advisable to connect a DMX terminal, (Resistance 120 Ohm 1/4 W) between PIN 2 (DMX-) and PIN 3 (DMX +) of the last fixture.

Figure 4

5-Pin XLR DMX Connectors. Some manufactures use 5-pin XLR connectors for DATA transmission in place of 3-pin. 5-pin XLR fixtures may be implemented in a 3-pin XLR DMX line. When inserting standard 5-pin XLR connectors in to a 3-pin line a cable adaptor must be used, these adaptors are readily available at most electric stores. The chart below details a proper cable conversion.

3-Pin XLR to 5-Pin XLR Conversion		
Conductor	3-Pin XLR Female (Out)	5-Pin XLR Male (In)
Ground/Shield	Pin 1	Pin 1
Data Compliment (- signal)	Pin 2	Pin 2
Data True (+ signal)	Pin 3	Pin 3
Not Used		Do Not Use
Not Used		Do Not Use

LED Display On/Off: To make the display stay ON all of the time press the MODE and UP buttons at the same time. To make the display turn OFF after 20 seconds, press the MODE and DOWN buttons at the same time.

Operating Modes:

Dimmer Mode:

In this mode you can adjust RGB colors to make your desired color.

1. Plug the fixture in and press the MODE button until “CoLr” is displayed.
2. Press the SET UP button to enter the RGB mode. Adjust the RGB colors using the UP and DOWN buttons. Press SET UP to move on to the next color in the RGB mode.

Program Mode:

In this mode you can run 1 of 14 built-in programs.

1. Plug the fixture in and press the MODE button until “Pr.XX” is displayed, “XX” = 01-14.
2. Press the UP or DOWN buttons to find your desired program and press SETUP. The programs and controls are listed below.
 - Pr.01 is static color program. There are 7 colors to choose from. Press the SET UP button to enter the static color submenu. Use the UP or DOWN buttons to scroll through the static colors.
 - Pr.02 - Pr.12 are programs where the programs speed or fade time can be adjusted. Both modes cannot work at the same time.

Note: You must have Program speed set to the lowest speed if you want to run the fade mode.

Select your desired program and press the SET UP button.

“SP.XX” will be displayed, this is the program speed. You can adjust the speed from 01-99. 01 being the slowest, and 99 being the fastest.

Press SET UP again, and “FD.XX” will be displayed, this is the fade time. You can adjust the fade time from 01-99. 01 being the slowest, and 99 being the fastest.

- Pr.13 - Pr.14 are programs where the program speed or fade time can be adjusted, and also the color(s) can be selected. Select your desired program and press the SET UP button. “SP.XX” will be displayed, this is the program speed. You can ad-

just the speed from 01-99. 01 being the slowest, and 99 being the fastest.

- Press the SET UP button again to adjust the Fade speed. “FD.XX” will be displayed, this is the fade time. You can adjust the fade time from 01-99. 01 being the slowest, and 99 being the fastest. Press the SET UP button to enter one of two color adjustment modes. Use the UP or DOWN buttons to scroll through the different color selections. You can also press the SET UP button again to enter another color adjustment mode.
- Press the SET UP button to choose your color(s). The first set of colors are controlled by the program speed. When you press SET UP again you will find a second set of colors, these are controlled by the fade speed. One set of colors must be set to off for the your chosen program to work.

Example: if your running the first set of colors (program speed) then the second set of colors (fade program) must be set to off.

Auto Mode:

1. Plug the fixture in and press the MODE button until “AUTO” is displayed. A factory program will now run. The run (loop) of the program can be adjusted by pressing SET UP and then using the UP and DOWN buttons to adjust the loop amount.

Example: If “n.003” is set for the loop, the unit will run each program 3 times.

Sound Active Mode:

In this mode the Mega Tri Bar™ will react to sound, changing and fading through the different colors.

1. Plug the fixture in and press the MODE button until “SU.XX” is displayed, press SETUP. “XX” = 00-31 which is adjustable sound sensitivity levels.
2. The fixture will now change via sound. You can adjust the sound sensitivity by pressing the UP and DOWN buttons. The sound sensitivity can be adjusted from 00 - 31, 00 being the least sensitive, and 31 being the most sensitive.

Master-Slave Operation:

This function will allow you to link units together to run in a Master-Slave mode. In Master-Slave operation one unit will act as the con-

trolling unit and the others will react to the controlling units built-in programs. Any unit can act as a Master or as a Slave however, only one unit can be programmed to act as the “Master.”

Master-Slave Connections and Settings:

1. Daisy chain your units via the XLR connector on the rear of the unit. Use standard XLR microphone cables to link your units together. Remember that the Male XLR connector is the input and the Female XLR connector is the output. The first unit in the chain (master) will use the female XLR connector only. The last unit in the chain will use the male XLR connector only.
2. Using the Master unit, choose your desired mode or program and connect the “Slave” unit or units.
3. On the “Slave” unit(s) press the MODE button until “SLAv.” is displayed. They will now follow the “Master” unit.

DMX Mode:

Operating through a DMX controller give the user the freedom to create their own programs tailored to their own individual needs. This fixture has 7 DMX Channel Modes.

1. This function will allow you to control each individual fixture’s traits with a Elation® DMX 512.
2. To run your fixture in DMX mode, plug in the fixture via the XLR connections to any standard DMX controller.
3. Press the MODE button until “d.XXX” is displayed. Press the UP or DOWN buttons to select your desired address. Once you have set your desired DMX address press the SETUP button to choose your desired DMX mode.
4. When you press the SETUP button until “d-PX” is displayed. “X” represents the current DMX mode. Press the UP or DOWN buttons to select your desired DMX mode.
d-P1 is 2 Channel mode
d-P2 is 3 Channel mode
d-P3 is 4 Channel mode
d-P4 is 6 Channel mode
d-P5 is 7 Channel mode
d-P6 is 12 Channel mode
d-P7 is 54 Channel mode
5. Please see pages 10-17 for the DMX values and traits.

Channel	Value	Function
1		<u>MACROS/PROGRAMS</u>
	0 - 10	OFF
	11 - 21	RED
	22 - 32	YELLOW
	33 - 43	GREEN
	44 - 54	CYAN
	55 - 65	BLUE
	66 - 76	PURPLE
	77 - 87	WHITE
	88 - 98	SLOW DREAM
	99 - 109	FAST DREAM
	110 - 120	COLOR FADE
	121 - 131	COLOR CHANGE
	132 - 142	FLOW 1
	143 - 153	FLOW 2
	154 - 164	FLOW 3
	165 - 175	FLOW 4
	176 - 186	DOUBLE FLOW 1
	187 - 197	DOUBLE FLOW 2
	198 - 208	MULTI COLOR
209 - 219	2 COLOR FLOW 1	
220 - 230	2 COLOR FLOW 2	
231 - 255	SOUND ACTIVE	
2	0 - 255	SPEED/SOUND SENSITIVITY CONTROL
		SLOW - FAST

When the Channel 1 fader level is between the values of 88 and 230, the Channel 2 fader will control the speed of the macro/program.

When the Channel 1 fader is between 231 and 255 (Sound Active) the Channel 2 fader will control the sound sensitivity level. Channel 2 will start at least sensitive to most sensitive.

Mega Tri Bar™ 6 Channel Mode - Traits & Values		
Channel	Value	Function
1	1 - 255	RED 0% - 100%
2	1 - 255	GREEN 0% - 100%
3	1 - 255	BLUE 0% - 100%
4	0	<u>COLOR MACROS</u> OFF
	1 - 7	BASTARD AMBER
	8 - 15	MEDIUM AMBER
	16 - 23	PALE AMBER GOLD
	24 - 31	GALLO GOLD
	32 - 39	GOLDEN AMBER
	40 - 47	LIGHT RED
	48 - 55	MEDIUM RED
	56 - 63	MEDIUM PINK
	64 - 71	BROADWAY PINK
	72 - 79	FOLLIES PINK
	80 - 87	LIGHT LAVENDER
	88 - 95	SPECIAL LAVENDER
	96 - 103	LAVENDER
	104 - 111	INDIGO
	112 - 119	HEMSLEY BLUE
	120 - 127	TIPTON BLUE
	128 - 135	LIGHT STEEL BLUE
	136 - 143	LIGHT SKY BLUE
	144 - 151	SKY BLUE
	152 - 159	BRILLIANT BLUE
	160 - 167	LIGHT GREEN BLUE
	168 - 175	BRIGHT BLUE
	176 - 183	PRIMARY BLUE
	184 - 191	CONGO BLUE
	192 - 199	PALE YELLOW GREEN
	200 - 207	MOSS GREEN

Mega Tri Bar™ 6 Channel Mode - Traits & Values		
Channel	Value	Function
4	208 - 215	<u>COLOR MACROS CONT.</u> PRIMARY GREEN
	216 - 223	DOUBLE CTB
	224 - 231	FULL CTB
	232 - 239	HALF CTB
	240 - 247	DARK BLUE
	248 - 255	WHITE
5	1 - 255	STROBING SLOW - FAST
6	1 - 255	MASTER DIMMER 0% - 100%

Mega Tri Bar™ 3 Channel Mode - Traits & Values		
Channel	Value	Function
1	1 - 255	RED 0% - 100%
2	1 - 255	GREEN 0% - 100%
3	1 - 255	BLUE 0% - 100%

Mega Tri Bar™ 4 Channel Mode - Traits & Values		
Channel	Value	Function
1	1 - 255	RED 0% - 100%
2	1 - 255	GREEN 0% - 100%
3	1 - 255	BLUE 0% - 100%
4	1 - 225	MASTER DIMMER 0% - 100%

Mega Tri Bar™		7 Channel Mode - Traits & Values
Channel	Value	Function
1	1 - 255	RED 0% - 100%
2	1 - 255	GREEN 0% - 100%
3	1 - 255	BLUE 0% - 100%
4		<u>MACROS/PROGRAMS</u>
	0 - 10	OFF
	11 - 21	RED
	22 - 32	YELLOW
	33 - 43	GREEN
	44 - 54	CYAN
	55 - 65	BLUE
	66 - 76	PURPLE
	77 - 87	WHITE
	88 - 98	SLOW DREAM
	99 - 109	FAST DREAM
	110 - 120	COLOR FADE
	121 - 131	COLOR CHANGE
	132 - 142	FLOW 1
	143 - 153	FLOW 2
	154 - 164	FLOW 3
	165 - 175	FLOW 4
	176 - 186	DOUBLE FLOW 1
	187 - 197	DOUBLE FLOW 2
	198 - 208	MULTI COLOR
	209 - 219	2 COLOR FLOW 1
	220 - 230	2 COLOR FLOW 2
	231 - 255	SOUND ACTIVE
5	0 - 255	SPEED/SOUND SENSITIVITY CONTROL SLOW - FAST
6	1 - 255	STROBING SLOW - FAST
7	1 - 255	MASTER DIMMER 0% - 100%

Mega Tri Bar™		12 Channel Mode - Traits & Values
Channel	Value	Function
1	1 - 255	RED 0% - 100%
2	1 - 255	GREEN 0% - 100%
3	1 - 255	BLUE 0% - 100%
4	1 - 255	RED 0% - 100%
5	1 - 255	GREEN 0% - 100%
6	1 - 255	BLUE 0% - 100%
7	1 - 255	RED 0% - 100%
8	1 - 255	GREEN 0% - 100%
9	1 - 255	BLUE 0% - 100%
10		<u>MACROS/PROGRAMS</u>
	0 - 10	OFF
	11 - 21	RED
	22 - 32	YELLOW
	33 - 43	GREEN
	44 - 54	CYAN
	55 - 65	BLUE
	66 - 76	PURPLE
	77 - 87	WHITE
	88 - 98	SLOW DREAM
	99 - 109	FAST DREAM
	110 - 120	COLOR FADE
	121 - 131	COLOR CHANGE
	132 - 142	FLOW 1
	143 - 153	FLOW 2
	154 - 164	FLOW 3

Mega Tri Bar™		12 Channel Mode - Traits & Values
Channel	Value	Function
10	165 - 175	<u>MACROS/PROGRAMS CONT.</u> FLOW 4
	176 - 186	DOUBLE FLOW 1
	187 - 197	DOUBLE FLOW 2
	198 - 208	MULTI COLOR
	209 - 219	2 COLOR FLOW 1
	220 - 230	2 COLOR FLOW 2
	231 - 255	SOUND ACTIVE
11	0 - 255	SPEED/SOUND SENSITIVITY CONTROL SLOW - FAST
12	1 - 255	MASTER DIMMER 0% - 100%

Mega Tri Bar™		54 Channel Mode - Traits & Values
Channel	Value	Function
1	1 - 255	RED 0% - 100%
2	1 - 255	GREEN 0% - 100%
3	1 - 255	BLUE 0% - 100%
4	1 - 255	RED 0% - 100%
5	1 - 255	GREEN 0% - 100%
6	1 - 255	BLUE 0% - 100%
7	1 - 255	RED 0% - 100%
8	1 - 255	GREEN 0% - 100%
9	1 - 255	BLUE 0% - 100%
10	1 - 255	RED 0% - 100%
11	1 - 255	GREEN 0% - 100%
12	1 - 255	BLUE 0% - 100%
13	1 - 255	RED 0% - 100%
14	1 - 255	GREEN 0% - 100%
15	1 - 255	BLUE 0% - 100%
16	1 - 255	RED 0% - 100%
17	1 - 255	GREEN 0% - 100%
18	1 - 255	BLUE 0% - 100%
19	1 - 255	RED 0% - 100%
20	1 - 255	GREEN 0% - 100%
21	1 - 255	BLUE 0% - 100%
22	1 - 255	RED 0% - 100%
23	1 - 255	GREEN 0% - 100%
24	1 - 255	BLUE 0% - 100%
25	1 - 255	RED 0% - 100%
26	1 - 255	GREEN 0% - 100%
27	1 - 255	BLUE 0% - 100%
28	1 - 255	RED 0% - 100%
29	1 - 255	GREEN 0% - 100%
30	1 - 255	BLUE 0% - 100%
31	1 - 255	RED 0% - 100%
32	1 - 255	GREEN 0% - 100%
33	1 - 255	BLUE 0% - 100%
34	1 - 255	RED 0% - 100%

Channel	Value	Function
35	1 - 255	GREEN 0% - 100%
36	1 - 255	BLUE 0% - 100%
37	1 - 255	RED 0% - 100%
38	1 - 255	GREEN 0% - 100%
39	1 - 255	BLUE 0% - 100%
40	1 - 255	RED 0% - 100%
41	1 - 255	GREEN 0% - 100%
42	1 - 255	BLUE 0% - 100%
43	1 - 255	RED 0% - 100%
44	1 - 255	GREEN 0% - 100%
45	1 - 255	BLUE 0% - 100%
46	1 - 255	RED 0% - 100%
47	1 - 255	GREEN 0% - 100%
48	1 - 255	BLUE 0% - 100%
49	1 - 255	RED 0% - 100%
50	1 - 255	GREEN 0% - 100%
51	1 - 255	BLUE 0% - 100%
52	1 - 255	RED 0% - 100%
53	1 - 255	GREEN 0% - 100%
54	1 - 255	BLUE 0% - 100%

The optional IR Remote (sold separately) gives the freedom to control your fixture from a distance and not have to use the on-board controls.

To control the your desired fixture you must aim the controller at the front of the fixture and be no more the 30 feet away. Note: The IR Remote can be used when the fixtures are connected to a DMX controller.

BLACKOUT - Pressing this button will blackout the fixture.

AUTO RUN - This button will run an automatic program. You can adjust the amount of program cycles by pressing the AUTO RUN button again. The display will show “n.XXX”, “XXX” representing the current number shown. Press the “+” and “-” buttons to increase or decrease the amount of program cycles.

PROGRAM SELECTION - This button will let you access one of the seven static color selections. Pressing this button and then press the “+” or “-” to navigate through the different programs.

FADE - This button will activate the fade effect. You can control the fade speed by pressing the “+” and “-” buttons. Press this button again to exit fade mode.

SPEED - Press this button and use the “+” & “-” buttons to adjust the speed of a program.

SOUND ACTIVE - This button activates sound active mode. Sound active mode will not work for outdoor LED lights.

SLAVE - This designates the fixture as a slave fixture in a master/slave configuration.

RGB - Press either one of these buttons, and then press the “+” and “-” to adjust the brightness.

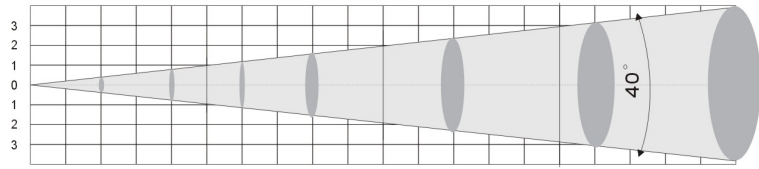
“+” and “-” Buttons - Use these buttons to adjust the fade speed, Auto Run speed, dimming, and program selection.

Mega Tri Bar™

Photometrics - RGB

Red

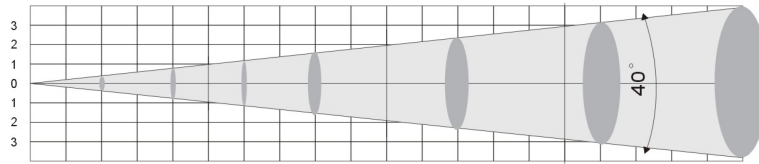
R 1418 — 662 — 307 — 154 — 98 — 62 lux



1.64'	3.28'	6.56'	9.84'	13.11'	16.39'	Distance(Feet)
0.5	1	2	3	4	5	Distance(Meters)
3.61'	7.22'	14.44'	21.65'	28.87'	36.09'	Diameter(Feet)
1.1	2.2	4.4	6.6	8.8	11	Diameter(Meters)

Green

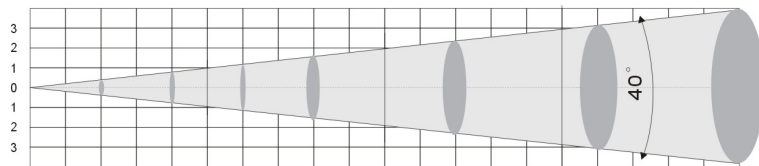
G 1073 — 443 — 223 — 104 — 63 — 40 lux



1.64'	3.28'	6.56'	9.84'	13.11'	16.39'	Distance(Feet)
0.5	1	2	3	4	5	Distance(Meters)
3.61'	7.22'	14.44'	21.65'	28.87'	36.09'	Diameter(Feet)
1.1	2.2	4.4	6.6	8.8	11	Diameter(Meters)

Blue

B 1395 — 536 — 256 — 117 — 67 — 46 lux

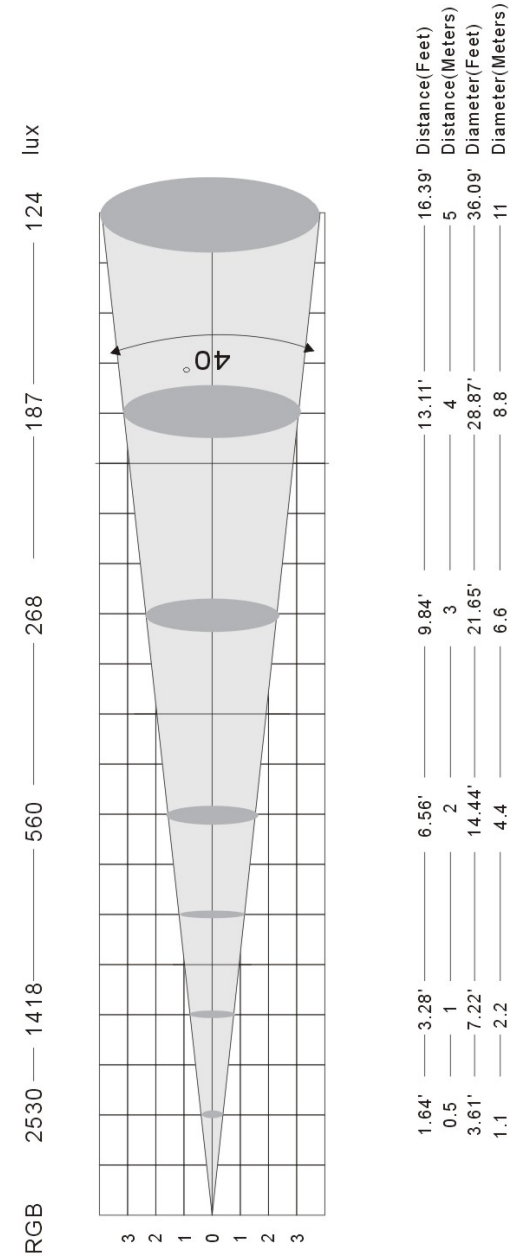


1.64'	3.28'	6.56'	9.84'	13.11'	16.39'	Distance(Feet)
0.5	1	2	3	4	5	Distance(Meters)
3.61'	7.22'	14.44'	21.65'	28.87'	36.09'	Diameter(Feet)
1.1	2.2	4.4	6.6	8.8	11	Diameter(Meters)

Mega Tri Bar™

Photometrics - All On

RGB



1.64'	3.28'	6.56'	9.84'	13.11'	16.39'	Distance(Feet)
0.5	1	2	3	4	5	Distance(Meters)
3.61'	7.22'	14.44'	21.65'	28.87'	36.09'	Diameter(Feet)
1.1	2.2	4.4	6.6	8.8	11	Diameter(Meters)

Mega Tri Bar™

Fuse Replacement

First unplug the power. The fuse holder is located next to the power cord. Using a flat-head screw driver unscrew the fuse holder. Remove the bad fuse and replace with a new one.

Mega Tri Bar™

Trouble Shooting

Listed below are a few common problems the user may encounter, with solutions.

Unit not responding to DMX:

1. Check that the DMX cables are connected properly and are wired correctly (pin 3 is “hot”; on some other DMX devices pin 2 may be ‘hot’). Also, check that all cables are connected to the right connectors; it does matter which way the inputs and outputs are connected.

Unit does not respond to sound:

1. Quiet or high pitched sounds will not activate the unit.

*If problems are not resolved; Contact American DJ® for service.
1-800-322-6337*

Mega Tri Bar™

Cleaning

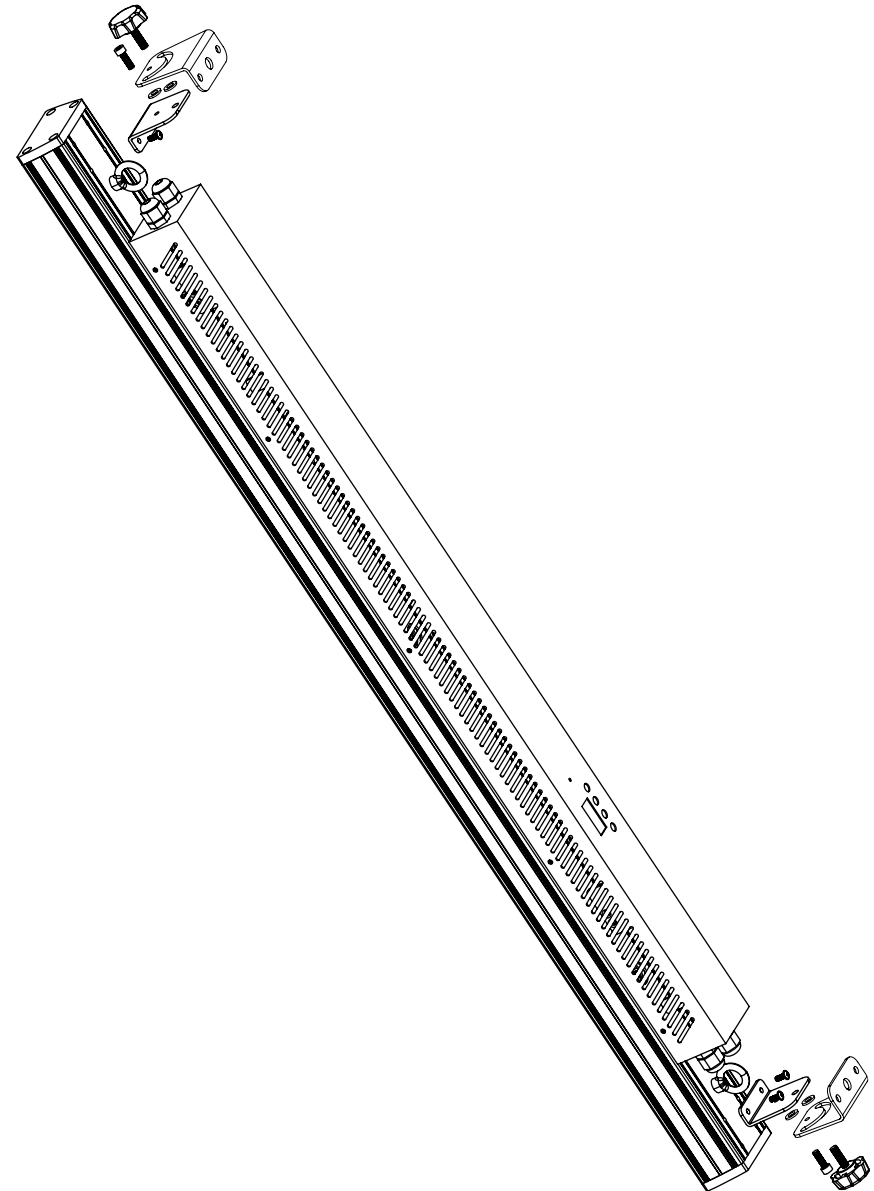
Due to fog residue, smoke, and dust cleaning the internal and external optical lenses must be carried out periodically to optimize light output.

1. Use normal glass cleaner and a soft cloth to wipe down the outside casing.
2. Clean the external optics with glass cleaner and a soft cloth every 20 days.
3. Always be sure to dry all parts completely before plugging the unit back in.

Cleaning frequency depends on the environment in which the fixture operates (i.e. smoke, fog residue, dust, dew).

Mega Tri Bar™

Mounting Bracket



MANUFACTURER'S LIMITED WARRANTY

A. American DJ, Inc. hereby warrants, to the original purchaser, American DJ and American Audio products to be free of manufacturing defects in material and workmanship for a prescribed period from the date of purchase (see specific warranty period on reverse). This warranty shall be valid only if the product is purchased within the United States of America, including possessions and territories. It is the owner's responsibility to establish the date and place of purchase by acceptable evidence, at the time service is sought.

B. For warranty service you must obtain a Return Authorization number (RA#) before sending back the product. Contact American DJ, Inc. Service Department at 800-322-6337. Send the product only to the American DJ, Inc. factory. All shipping charges must be pre-paid. If the requested repairs or service (including parts replacement) are within the terms of this warranty, American DJ, Inc. will pay return shipping charges only to a designated point within the United States. If the entire instrument is sent, it must be shipped in its original package. No accessories should be shipped with the product. If any accessories are shipped with the product, American DJ, Inc. shall have no liability whatsoever for loss of or damage to any such accessories, nor for the safe return thereof.

C. This warranty is void if the serial number has been altered or removed; if the product is modified in any manner which American DJ, Inc. concludes, after inspection, affects the reliability of the product; if the product has been repaired or serviced by anyone other than the American DJ, Inc. factory unless prior written authorization was issued to purchaser by American DJ, Inc.; if the product is damaged because not properly maintained as set forth in the instruction manual.

D. This is not a service contract, and this warranty does not include maintenance, cleaning or periodic check-up. During the period specified above, American DJ, Inc. will replace defective parts at its expense with new or refurbished parts, and will absorb all expenses for warranty service and repair labor by reason of defects in material or workmanship. The sole responsibility of American DJ, Inc. under this warranty shall be limited to the repair of the product, or replacement thereof, including parts, at the sole discretion of American DJ. All products covered by this warranty were manufactured after January 1, 1990, and bear identifying marks to that effect.

E. American DJ, Inc. reserves the right to make changes in design and/or improvements upon its products without any obligation to include these changes in any products theretofore manufactured. No warranty, whether expressed or implied, is given or made with respect to any accessory supplied with products described above. Except to the extent prohibited by applicable law, all implied warranties made by American DJ, Inc. in connection with this product, including warranties of merchantability or fitness, are limited in duration to the warranty period set forth above. And no warranties, whether expressed or implied, including warranties of merchantability or fitness, shall apply to this product after said period has expired. The consumer's and/or Dealer's sole remedy shall be such repair or replacement as is expressly provided above; and under no circumstances shall American DJ, Inc. be liable for any loss or damage, direct or consequential, arising out of the use of, or inability to use, this product.

This warranty is the only written warranty applicable to American DJ and American Audio Products and supersedes all prior warranties and written descriptions of warranty terms and conditions heretofore published.

MANUFACTURER'S LIMITED WARRANTY PERIODS:

- All American Audio Products = 1-year (365 day) Limited Warranty (except V-Plus Series Amplifiers)
- All American Audio V-Plus Series Amplifiers = 3-year (1095 day) Limited Warranty
- American DJ Lighting and American DJ Branded Products = 1-year (365 day) Limited Warranty (Such as: Special Effect Lighting, Intelligent Lighting, UV lighting, Strobos, Fog Machines, Bubble Machines, Mirror Balls, Par Cans, Trussing, Lighting Stands etc. excluding Laser Products, lamps, and Star Tec Series)
- American DJ Laser Products and Star Tec Products = 90-Day Limited Warranty
- American DJ L.E.D. Products = 3-year (1095 day) Limited Warranty (excluding motors which have a 1-year (365 day Limited Warranty)

Model: Mega Tri Bar™SPECIFICATIONS:

Working Position:	Any safe working position
Voltage:	90V~240V 50/60Hz
LEDs:	18 x 3W Tri Color LEDs
Power Consumption:	80 Watts
Beam Angle:	40 Degrees
Fuse:	2Amp
Weight:	13.2lbs./ 6Kgs.
Dimensions:	43.3" (L) x 3.14" (W) x 4.56" (H) 1100 (L) x 80 (W) x 116 (H) mm
Colors:	RGB Color Mixing
DMX Channels:	7 DMX Channel Modes
Warranty:	3 Year (1095 days)

Auto Sensing Voltage: *This fixture contains a electronic ballast, which will auto sense the voltage when it is plugged into the power source.*

Please Note: Specifications and improvements in the design of this unit and this manual are subject to change without any prior written notice.

©American DJ Supply

American DJ World Headquarters:

6122 S. Eastern Ave. Los Angeles, CA 90040 USA

Tel: 323-582-2650 / Fax: 323-582-2610

Web: www.americandj.com / E-mail: info@americandj.com

American DJ Europe

Junostraat 2

6468 EW Kerkrade

Netherlands

service@americandj.eu / www.americandj.eu

Tel: +31 45 546 85 00 / Fax: +31 45 546 85 99