

American DJ®



SATURN 4



User Instructions

American DJ®
4295 Charter Street
Los Angeles Ca. 90058
www.americandj.com

Rev. 10/01

Saturn 4™

Introduction

Introduction: Thank you for purchasing the Saturn 4™ by American DJ®. The Saturn 4™ is a prepackage lighting system (Systems includes; 3 XLR cable, 4 Saturn units, and 1 controller). Everything you need for a great portable lighting system is included in this one package. The system come with one master unit and three slave units. The slave units will react to programs built into the master unit. The master unit comes with several built-in programs and is activated by sound. This system is great for mobile DJ's, bands, and small clubs. The system is system set up and easy in minutes and packs a powerful light show in a relatively small package. For best results use this system with fog to enhance the output of the beams.

Customer Support: American DJ® provides a toll free customer support line, to provide set up help and to answer any question should you encounter problems during your set up or initial operation. You may also visit us on the web at www.americandj.com for any comments or suggestions. For service related issue please contact American DJ®. Service Hours are Monday through Friday 9:00 a.m. to 5:00 p.m. Pacific Standard Time.

Voice: (800) 322-6337
Fax: (323) 582-2610
E-mail: support@americandj.com

To purchase parts online visit <http://parts.americandj.com>

Warning! To prevent or reduce the risk of electrical shock or fire, do not expose this system to rain or moisture.

Caution! There are no user serviceable parts inside these units. Do not attempt any repairs yourself, doing so will void your manufactures warranty. In the unlikely event any of your units require service please contact American DJ.

PLEASE recycle the shipping carton whenever possible.

Safety Issues: These units may blow a fuse if the maximum allotted load of 5 amps is reached. If the fuse needs replacement, always replace the fuse with same exact type that was remove, unless otherwise instructed by an authorized American DJ® service technician. Use of a different type fuse from that which is recommended may cause fire or electric shock and will void the manufactures warranty.

Introduction..... 2

Unpacking..... 3

Safety Precautions..... 4

Controls & Functions.....5

Set-Up.....6

Operation.....7

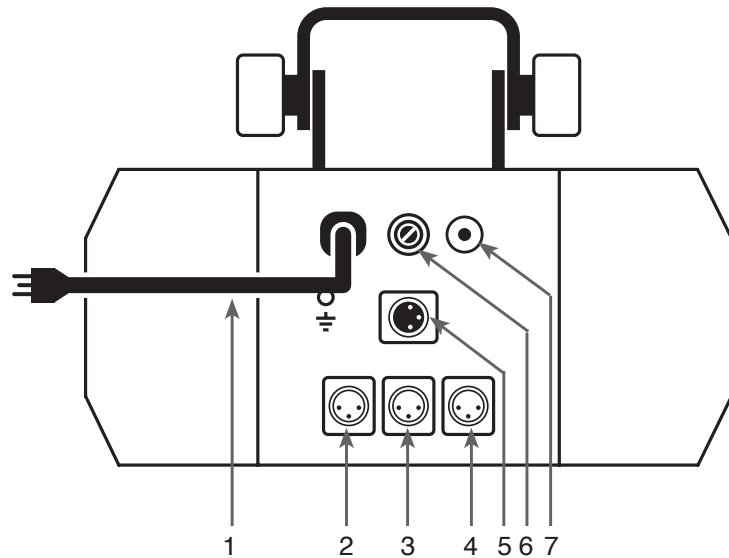
Lamp Replacement.....8

Unpacking: Every Saturn 4™ system has been thoroughly tested and has been shipped in perfect operating condition. Carefully check the shipping carton for damage that may have occurred during shipping. If the carton appears to be damaged, carefully inspect your units for any damage and be sure all accessories necessary to operate the system have arrived intact. In the event damage has been found or parts are missing, please contact our toll free customer support number for further instructions. Please do not return the system to your dealer without first contacting customer support.

The Saturn 4™ system carries a one year (365 days) limited warranty. We recommend you fill out the enclosed warranty card to validate your purchase. All returned service items whether under warranty or not, must be freight pre-paid and accompany a return authorization (R.A.) number. If the unit is under warranty, you must provide a copy of your proof of purchase invoice. Please contact American DJ® customer support for a R.A. number.

- Includes Blackout Remote Controller
- Sound-Active
- Easy Access Lamp Replacement Door
- Master/Slave Operation with Built-In Chase Programs
- 6 Lenses Emit 6 Sharp White Beams of Light
- Bright ZB-64514 120v/300w Lamp

- Do not spill water or other liquids into or on to your unit.
- Be sure that the local power outlet match that of the required voltage for your unit.
- Do not attempt to operate this unit if the power cord has been frayed or broken. Please route your power cord away from foot traffic.
- Do not attempt to remove or break off the ground prong from the electrical cord. This prong is used to reduce the risk of electrical shock and fire in case of an internal short.
- Disconnect from main power before making any type of connection.
- Do not remove the top cover under any conditions. There are no user serviceable parts inside.
- Never plug this unit in to a dimmer pack
- Always be sure to mount this unit in an area that will allow proper ventilation. Allow about 6" (15cm) between this device and a wall.
- Do not attempt to operate this unit if it becomes damaged in any way.
- Never operate this unit when it's cover is removed.
- To reduce the risk of electrical shock or fire, do not expose this unit rain or moisture
- This unit is intended for indoor use only, use of this product outdoors voids all warranties.
- During long periods of non-use, disconnect the unit's main power.
- Always mount this unit in safe and stable matter.
- Power-Cord Protection - Power-supply cords should be route so they are not likely to be walked on or pinched by items placed upon or against them, paying particular attention to cords a plugs, convenience receptacles, and the point where they exit from the fixture.
- Cleaning -The fixture should be cleaned only as recommended by the manufacturer.
- Heat -The fixture should be situated away from heat sources such as radiators, heat registers, stoves, or other appliances (including amplifiers) that produce heat.
- The fixture should be serviced by qualified service personnel when:
 - A. The power-supply cord or the plug has been damaged.
 - B. Objects have fallen, or liquid has been spilled into the appliance.
 - C. The appliance has been exposed to rain or water.
 - D. The fixture does not appear to operate normally or exhibits a marked change in performance.



1. **Power Cord** - Connect only to a matching power outlet. Never use this fixture if the ground prong has been removed or broken off.
2. **Channel 1 Output** - This outlet will control the operation of any slave unit as channel one.
3. **Channel 2 Output** - This outlet will control the operation of any slave unit as channel two.
4. **Channel 3 Output** - This outlet will control the operation of any slave unit as channel three.
5. **Remote Control Input** - *Do not attempt to connect an audio signal to this jack, this will damage the unit!* This jack is for use with the Saturn4/C controller only. *Connecting an audio signal to this jack, this will damage the PC board and void your manufactures warranty!*
6. **Fuse Holder** - This housing stores the 5 amp GMA protective fuse. Always replace with the exact same type fuse, unless otherwise instructed to do so by an authorized American DJ service technician.
7. **Microphone** - This microphone receives external low frequencies to trigger the unit. Tapping on the unit and high pitched sounds may not trigger the unit.

Power Supply: Before plugging your unit in, be sure the source voltage in your area matches the required voltage for your American DJ® Saturn 4.™ The American DJ® Saturn 4™ is available in a 120v and 220v version. Due to variations in line voltage from venue to venue, be sure to plug your “Master” unit into a wall outlet with a matching power supply before attempting to operate.

Data Cable Requirements: Your units require a standard 3-pin XLR microphone cables for data input and data output (Figure 1). The system includes three cables. If you require cables of different or extended lengths, you may use any standard microphone cable or construct your own. If you are constructing your own cables, be sure to use standard two conductor shielded cable (this cable may be purchased at almost all pro sound and lighting stores). Your cables should be made with a male and female XLR connector on either end of the cable. Also remember that DMX cable must be daisy chained and can not be split.



Figure 1

Notice: Be sure to follow figure three when making your own cables. Do not use the ground lug on the XLR connector. Do not connect the cable’s shield conductor to the ground lug or allow the shield conductor to come in contact with the XLR’s outer casing. Grounding the shield could cause a short circuit and erratic behavior.

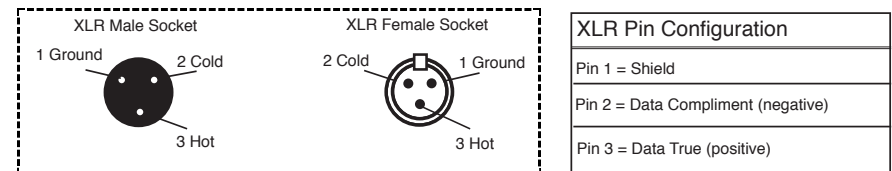


Figure 2

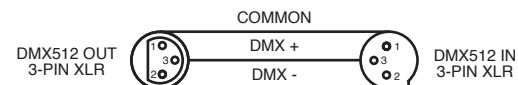
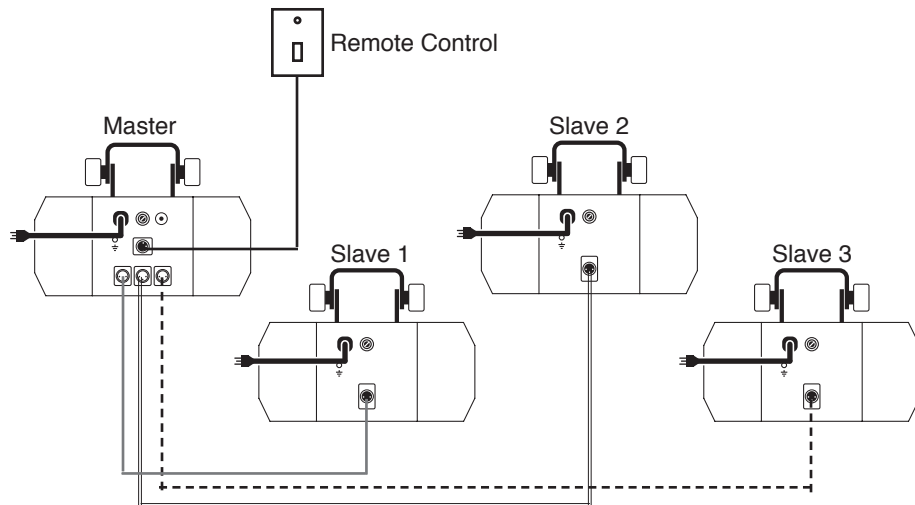


Figure 3

Sound Active Operation: This function allows a system to run to the beat of the music without any type of controller.

1. Mount your units in a safe and secure manner.
2. Connect the “slave” units to the “master” unit as detailed in the illustration below.
3. If you wish to use the remote control, connect it now. The remote control will allow you to activate a blackout mode.
4. Connect the unit to main power.
5. The unit will now react to the bass sound of music via the internal microphone.



Linking System: Your Saturn 4™ system comes with built-in programs for a four unit system. Follow the step above for proper linking and set-up procedures. If the system is not set up completely, black spots will appear in the programs.

Always replace with the exact same type lamp and fuse, unless otherwise specified by an authorized American DJ® service technician.

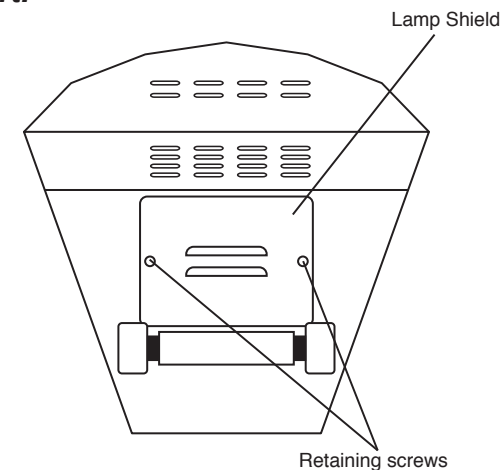
Caution: Always disconnect the main power before performing any type of service or fuse replacement! Always disconnect the main power and allow the unit ample time to cool before attempting to replace the lamp.

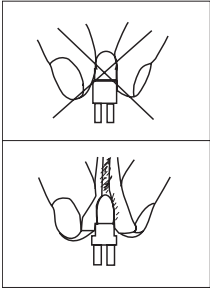
Lamp Replacement: Caution! Never open the unit while in use.

1. Be sure to follow the proper procedures when handling halogen lamps.
2. Lamp replacement has been made simple by incorporating the use of a removable lamp cover retained by two thumb screw.
3. Remove the thumb screws on the bottom of the unit that holds the lamp cover in place.
4. Carefully remove the protective lamp cover.
5. Remove and replace the lamp.
6. Reassemble in reverse order.

Fuse Replacement: To replace the protective fuse, use a flat head screwdriver to unscrew and remove the fuse holder. Gently remove the old fuse and replace it with a new one. Insert the fuse holder back into the fuse housing and tighten.

For any other service related issues, please contact American DJ® customer support.





Halogen Lamp Warning: This fixture is fitted with halogen lamps which are highly susceptible to damage if improperly handled. Never touch the lamps with your bare fingers as the oil from your hands will shorten lamp life. Also, never move the fixture until the lamps have had ample time to cool. Remember, lamps are not covered under warranty conditions.

Due to fog residue, smoke, and dust, cleaning the internal and external optical lenses must be carried out periodically to optimize light output.

1. Use normal glass cleaner and a soft cloth to wipe down the outside casing.
2. Use a brush to wipe down the cooling vents.
3. Clean the external portion of the optics with glass cleaner and a soft cloth every 20 days. Situation may vary. If used heavily in clubs with lots of fog, cleaning may be required more often.
4. Clean the internal portion of the optics with glass cleaner and a soft cloth every 30-60 days.
5. Always be sure to dry all parts completely before plugging the unit in.

Cleaning frequency depends on the environment in which the fixture operates (i.e. smoke, fog residue, dust, dew).

1-YEAR LIMITED WARRANTY

A. American DJ® hereby warrants, to the original purchaser, American DJ® products to be free of manufacturing defects in material and workmanship for a period of 1 Year (365 days) from the date of purchase. This warranty shall be valid only if the product is purchased within the United States of America, including possessions and territories. It is the owner's responsibility to establish the date and place of purchase by acceptable evidence, at the time service is sought.

B. For warranty service, send the product only to the American DJ® factory. All shipping charges must be pre-paid. If the requested repairs or service (including parts replacement) are within the terms of this warranty, American DJ® will pay return shipping charges only to a designated point within the United States. If the entire instrument is sent, it must be shipped in its original package. No accessories should be shipped with the product. If any accessories are shipped with the product, American DJ® shall have no liability whatsoever for loss of or damage to any such accessories, nor for the safe return thereof.

C. This warranty is void if the serial number has been altered or removed; if the product is modified in any manner which American DJ® concludes, after inspection, affects the reliability of the product; if the product has been repaired or serviced by anyone other than the American DJ® factory unless prior written authorization was issued to purchaser by American DJ®; if the product is damaged because not properly maintained as set forth in the instruction manual.

D. This is not a service contract, and this warranty does not include maintenance, cleaning or periodic check-up. During the period specified above, American DJ® will replace defective parts at its expense, and will absorb all expenses for warranty service and repair labor by reason of defects in material or workmanship. The sole responsibility of American DJ® under this warranty shall be limited to the repair of the product, or replacement thereof, including parts, at the sole discretion of American DJ®. All products covered by this warranty were manufactured after January 1, 1990, and bear identifying marks to that effect.

E. American DJ® reserves the right to make changes in design and/or improvements upon its products without any obligation to include these changes in any products theretofore manufactured.

F. No warranty, whether expressed or implied, is given or made with respect to any accessory supplied with products described above. Except to the extent prohibited by applicable law, all implied warranties made by American DJ® in connection with this product, including warranties of merchantability or fitness, are limited in duration to the warranty period set forth above. And no warranties, whether expressed or implied, including warranties of merchantability or fitness, shall apply to this product after said period has expired. The consumer's and or Dealer's sole remedy shall be such repair or replacement as is expressly provided above; and under no circumstances shall American DJ® be liable for any loss or damage, direct or consequential, arising out of the use of, or inability to use, this product.

G. This warranty is the only written warranty applicable to American DJ® Products and supersedes all prior warranties and written descriptions of warranty terms and conditions heretofore published.

H. Lamps are not covered under this or any other warranty, either written or implied.

MODEL: SATURN 4™

VOLTAGE*:	120v~60Hz or 220v~50Hz
LAMP (PER UNIT):	ZB-64514 120v/300w or ZB-64516 220v/300w (220v)
DIMENSIONS:	11.75"L x 11.25"W x 7.5"H (with yoke extended)
WEIGHT:	9 LBS / 7 KGS. (unit)
FUSE:	6.3 AMP GMA
WORKING POSITION:	ANY SAFE POSITION
COOLING:	FAN COOLED
GOBOS:	NONE
LENSES:	6
COLORS:	CLEAR
WARRANTY:	1 YEAR (365 DAYS)

* Voltage is preset at the factory

Please Note: Specifications and improvements in the design of this unit and this manual are subject to change without any prior written notice.