

LED COLOR LED BANK



Operation Manual EN
Mode d'emploi FR
Gebruiksaanwijzing NL
Bedienungsanleitung DU
Manual de instrucciones ES
Manual do utilizador PT

WWW.BEGLEC.COM

Copyright © 2008 by BEGLEC cva.

Reproduction or publication of the content in any manner, without express permission of the publisher, is prohibited.



Version: 1.2





EN - DISPOSAL OF THE DEVICE

Dispose of the unit and used batteries in an environment friendly manner according to your country regulations.

FR - DÉCLASSER L'APPAREIL

Débarrassez-vous de l'appareil et des piles usagées de manière écologique Conformément aux dispositions légales de votre pays.

NL - VERWIJDEREN VAN HET APPARAAT

Verwijder het toestel en de gebruikte batterijen op een milieuvriendelijke manier conform de in uw land geldende voorschriften.

DU - ENTSORGUNG DES GERÄTS

Entsorgen Sie das Gerät und die Batterien auf umweltfreundliche Art und Weise gemäß den Vorschriften Ihres Landes.

ES - DESHACERSE DEL APARATO

Reciclar el aparato y pilas usadas de forma ecologica conforme a las disposiciones legales de su pais.

PT - COMO DESFAZER-SE DA UNIDADE

Tente reciclar a unidade e as pilhas usadas respeitando o ambiente e em conformidade com as normas vigentes no seu país.

OPERATION MANUAL

Thank you for buying this BriteQ® product. To take full advantage of all possibilities and for your own safety, please read these operating instructions very carefully before you start using this unit.

FEATURES

This unit is radio-interference suppressed. This product meets the requirements of the current European and national guidelines. Conformity has been established and the relevant statements and documents have been deposited by the manufacturer.

- This device has been designed to produce decorative effect lighting and is used in light show systems.
- Powerful LED projector, designed for different applications such as: stage, theatre, TV, discos and clubs, etc...
- Creates wonderful effects when installed behind glass walls, ceilings and floors.
- Uses 648 high power Hewlett Packard / Agilent LEDs, divided over 8 independent zones.
- Several built-in chases create stunning effects, controlled by DMX, internal microphone or by a simple hand controller when used in standalone mode.
- Perfect for use in TV-studios due to the 400Hz dimmer electronics!
- Over 16million colors can be created by DMX!
- Smooth color fades (with DMX and hand controller)
- Extremely fast strobe with any desired color
- Different DMX modes:
 - 6 channel mode: all 8 zones react identically
 - 9 channel mode: the LED color bank is divided in 2 zones
 - 15 channel mode: the LED color bank is divided in 4 zones
 - 27 channel mode: the LED color bank is divided in 8 zones

BEFORE USE

- Before you start using this unit, please check if there's no transportation damage. Should there be any, do not use the device and consult your dealer first.
- **Important:** This device left our factory in perfect condition and well packaged. It is absolutely necessary for the user to strictly follow the safety instructions and warnings in this user manual. Any damage caused by mishandling is not subject to warranty. The dealer will not accept responsibility for any resulting defects or problems caused by disregarding this user manual.
- Keep this booklet in a safe place for future consultation. If you sell the fixture, be sure to add this user manual.

Check the contents:

Check that the carton contains the following items:

- Operating instructions
- The Led Color Bank
- Mains cable

SAFETY INSTRUCTIONS:



CAUTION

RISK OF ELECTRIC SHOCK
DO NOT OPEN



CAUTION: To reduce the risk of electric shock, do not remove the top cover. No user-serviceable parts inside. Refer servicing to qualified service personnel only.



The lightning flash with arrowhead symbol within the equilateral triangle is intended to alert the user or the presence of un-insulated "dangerous voltage" within the product's enclosure that may be of sufficient magnitude to constitute a risk of electric shock.



The exclamation point within the equilateral triangle is intended to alert the user to the presence of important operation and maintenance (servicing) instructions in the literature accompanying this appliance.



This symbol means: indoor use only



This symbol means: Read instructions



This symbol determines: the minimum distance from lighted objects. The minimum distance between light-output and the illuminated surface must be more than 0,5 meters

- To protect the environment, please try to recycle the packing material as much as possible.
- A new light effect sometimes causes some unwanted smoke and/or smell. This is normal and disappears after some minutes.
- To prevent fire or shock hazard, do not expose this appliance to rain or moisture.
- To avoid condensation to be formed inside, allow the unit to adapt to the surrounding temperatures when bringing it into a warm room after transport. Condense sometimes prevents the unit from working at full performance or may even cause damages.
- This unit is for indoor use only.
- Don't place metal objects or spill liquid inside the unit. Electric shock or malfunction may result. If a foreign object enters the unit, immediately disconnect the mains power.
- Locate the fixture in a well ventilated spot, away from any flammable materials and/or liquids.
- Don't cover any ventilation openings as this may result in overheating.
- Prevent use in dusty environments and clean the unit regularly.
- Keep the unit away from children.
- Inexperienced persons should not operate this device.
- Maximum save ambient temperature is 40°C. Don't use this unit at higher ambient temperatures.
- Make sure the area below the installation place is free from unwanted persons during rigging, de-rigging and servicing.
- Always unplug the unit when it is not used for a longer time or start servicing.
- The electrical installation should be carried out by qualified personal only, according to the regulations for electrical and mechanical safety in your country.
- Check that the available voltage is not higher than the one stated on the rear panel of the unit.
- The power cord should always be in perfect condition. Switch the unit immediately off when the power cord is squashed or damaged. It must be replaced by the manufacturer, its service agent or similarly qualified persons in order to avoid a hazard.
- Never let the power-cord come into contact with other cables!
- This fixture must be earthed to in order comply with safety regulations.
- Don't connect the unit to any dimmer pack.
- Always use an appropriate and certified safety cable when installing the unit.
- In order to prevent electric shock, do not open the cover there are no user serviceable parts inside.
- **Never** repair a fuse or bypass the fuse holder. **Always** replace a damaged fuse with a fuse of the same type and electrical specifications!
- In the event of serious operating problems, stop using the fixture and contact your dealer immediately.
- The housing and the lenses must be replaced if they are visibly damaged.
- Please use the original packing when the device is to be transported.
- **Due to safety reasons it is prohibited to make unauthorized modifications to the unit.**

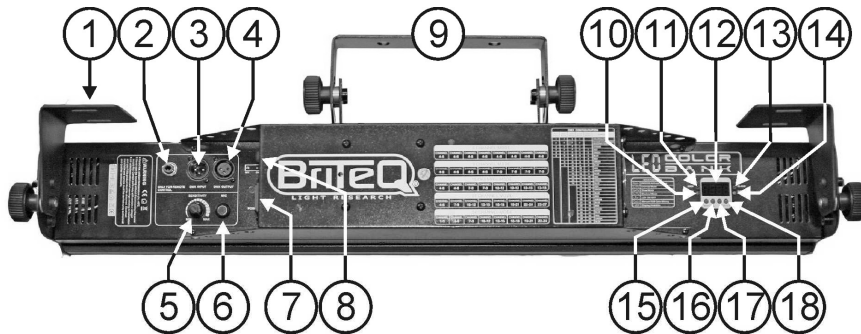
Important: Never look directly into the light source! Don't use the effect in the presence of persons suffering from epilepsy.

OVERHEAD RIGGING

- **Important:** The installation must be carried out by qualified service personal only. Improper installation can result in serious injuries and/or damage to property. Overhead rigging requires extensive experience! Working load limits should be respected, certified installation materials should be used, the installed device should be inspected regularly for safety.
- Make sure the area below the installation place is free from unwanted persons during rigging, de-rigging and servicing.
- Locate the fixture in a well ventilated spot, far away from any flammable materials and/or liquids. The fixture must be fixed **at least 50cm** from surrounding walls.
- The device should be installed out of reach of people and outside areas where persons may walk by or be seated.

- Before rigging make sure that the installation area can hold a minimum point load of 10times the device's weight.
- Always use a certified safety cable that can hold 12times the weight of the device when installing the unit. This secondary safety attachment should be installed in a way that no part of the installation can drop more than 20cm if the main attachment fails.
- The device should be well fixed; a free-swinging mounting is dangerous and may not be considered!
- Don't cover any ventilation openings as this may result in overheating.
- The operator has to make sure that the safety-relating and machine-technical installations are approved by an expert before using them for the first time. The installations should be inspected every year by a skilled person to be sure that safety is still optimal.

DESCRIPTION:



1. **WALL MOUNT BRACKET:** used to easily fix the unit on a wall, ceiling or other flat surface.
2. **REMOTE CONTROL connector:** used to connect the CA-8 hand controller
3. **DMX input:** connect this input to the previous unit in the DMX chain or directly to the DMX-controller.
4. **DMX output:** connect this input to the next unit in the DMX chain
5. **SENSITIVITY:** to control the sensitivity of the internal microphone
6. **MICROPHONE:** used to control the music activated internal programs
7. **MAINS CONNECTOR:** connect the supplied mains cable here
8. **MAINS SWITCH:** to switch the LED color bank on/off
9. **HANGING BRACKET:** used to fix the on truss using a standard clamp
10. **MASTER LED:** is lit when the unit is switched as master
11. **DMX LED:** is lit when the unit receives a DMX-signal
12. **DISPLAY:** shows the various menus and the selected functions
13. **SLAVE LED:** is lit when the unit is in slave mode
14. **SOUND LED:** blinks to the rhythm of the music while the unit is in audio mode
15. **MENU BUTTON:** used to browse and select the different menu items
16. **DOWN BUTTON:** to go back in the menu or to decrease the values shown on the display
17. **UP BUTTON:** to go up in the menu or to increase the values shown on the display
18. **ENTER BUTTON:** used to confirm your choice

HOW TO SETUP:

MAIN MENU:

- To select any of the menu options, press the **MENU** button up to when the required one is shown on the display.
- Select the function with the **ENTER** button. The display will blink.
- Use **DOWN** and **UP** button to choose the desired menu option.
- Once the required menu option is selected, press the **ENTER** button to select. To go back to the functions without any change press the **MENU** button or just wait 8 seconds. The menu structure is shown below.

Addr DMX512 Address Setting

Used to set the starting address in a DMX setup.

- Press the MENU button until **Addr** is shown on the display.
- Press the ENTER button, the display starts blinking.
- Use DOWN and UP buttons to change the DMX512 address.
- Once the correct address shows on the display, press the ENTER button to save it. (or automatically return to the main functions without any change after 8 seconds)
- To go back to the functions without any change press the MENU button again.

Chnd Channel Mode

- Press the MENU button until **Chnd** is shown on the display.
- Press the ENTER button, the display starts blinking.
- Use DOWN and UP button to select the 6 channel, 9 channel, 15 channel, 27 channel or 24 channel mode.
- Once the mode is selected, press the ENTER button to setup (or automatically return to the main functions without any change after 8 seconds)
- To go back to the functions without any change press the MENU button again.

Shnd Show Mode

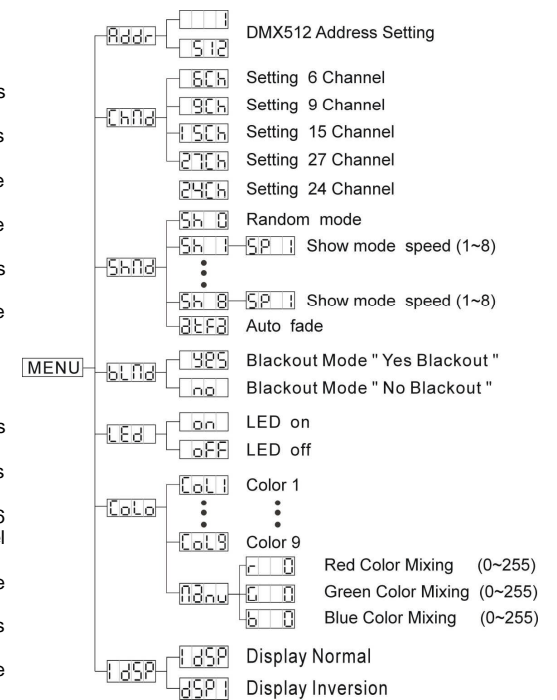
Used to select one of the preprogrammed shows when used in standalone or master/slave mode. This menu option is not available when the unit is set to slave mode

- Press the MENU button until **Shnd** is showing on the display.
- Press the ENTER button, the current show starts blinking in the display.
- Use DOWN and UP buttons to select **Sh 0** (random mode), **Sh 1** to **Sh 8**, or **Auto Fade** (Auto Fade Mode).
- Once the right show blinks on the display, press the ENTER button to save it. (or automatically return to the main functions without any change after 8 seconds)
- To go back to the functions without any change press the MENU button again.
- When you have pressed the ENTER button to confirm, a blinking **SP** will appear. Here you have to select a chase speed between 1 and 8. Press again the ENTER button to confirm your choice, or it will return to the main menu after 8 seconds without changing the speed of the new show.

Blnd Blackout Mode

Blackout mode: when no DMX-signal is detected, the unit goes in blackout. **No blackout mode:** when no DMX-signal is detected, the unit automatically switches to master mode. This menu option is not available when the unit is set to slave mode

- Press the MENU button until **Blnd** is shown on the display.
- Press the ENTER button, the current selection starts blinking in the display.
- Use DOWN and UP button to select **YES** (blackout) or **NO** (no blackout) mode.
- Once the mode is selected, press the ENTER button to save it. (or automatically return to the main functions without any change after 8 seconds)
- To go back to the functions without any change press the MENU button again.



LED Led Display

Display on: display is always on.

Display off: display is off when not used.

- Press the MENU button until the display shows **LED**.
 - Press the ENTER button, the display starts blinking.
 - Use DOWN and UP buttons to select **on** (display always on) or **OFF** (display off when not used).
 - Once the mode is selected, press the ENTER button to save it.
(or automatically return to the main functions without any change after 8 seconds)
- To go back to the functions without any change press the MENU button again.

COLO Color Mode

Col.1 to Col.9 Used to select one of the preprogrammed colors .

0000 Used to create your own color manually

- Press the MENU button until **COLO** is showing on the display.
 - Press the ENTER button, the display starts blinking.
 - Use DOWN and UP buttons to select **Col.1** to **Col.9**, or **0000**
 - Once the right color mode blinks on the display, press the ENTER button to save it.
(or automatically return to the main functions without any change after 8 seconds)
- To go back to the functions without any change press the MENU button again.
- When you have selected the manual mode **0000**, you can create your own color by entering a value between 0 and 255 for each of the RGB colors. Use the up-down buttons to change the value. Use the ENTER button to go to the next RGB color.

IdSP Display Inversion

- Press the MENU button until **IdSP** is blinking on the display. (normal display)
- Use the ENTER button to change to the mode **dSP** (display inversion), the option will be automatically stored after 8 seconds. Or press the ENTER button again return to the mode **IdSP** (normal display).
To go back to the functions press the MENU button.

ELECTRICAL INSTALLATION + ADDRESSING

! Important: The electrical installation should be carried out by qualified personal only, according to the regulations for electrical and mechanical safety in your country.

Electrical installation for 1 standalone unit:

- Just insert the mains cable. The unit starts working immediately in stand-alone mode.
- Remark1:** You can connect a CA-8 remote controller to the unit if you want to have more control. Refer to "how to operate the unit" to learn how to do this.
- Remark2:** if there's no output, please make sure to set the unit in master mode (see previous chapter)

Electrical installation for two or more units in master/slave:

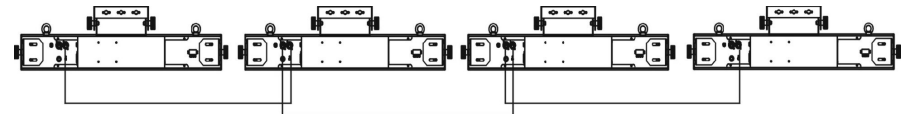
- Daisy chain the units together using good quality balanced microphone cables. Put the first unit of the chain in master mode, the rest must be set to slave mode. See the previous chapter for more information.
 - Make sure that all units are connected to the mains.
 - Done!
- Remark:** You can connect a CA-8 remote controller to the master unit if you want to have more control over the master/slave operation

Electrical installation in DMX-mode:

- The DMX-protocol is a widely used high speed signal to control intelligent light equipment. You need to "daisy chain" your DMX controller and all the connected units with a good quality balanced cable.
- Both XLR-3pin and XLR-5pin connectors are used, however XLR-3pin is more popular because these cables are compatible with balanced audio cables.
Pin layout XLR-3pin: Pin1 = GND ~ Pin2 = Negative signal (-) ~ Pin3 = Positive signal (+)

Pin layout XLR-5pin: Pin1 = GND ~ Pin2 = Negative signal (-) ~ Pin3 = Positive signal (+) ~ Pins4+5 not used.

- To prevent strange behavior of the light effects, due to interferences, you must use a 90Ω to 120Ω terminator at the end of the chain. Never use Y-splitter cables, this simply won't work!
- Make sure that all units are connected to the mains.
- Each light effect in the chain needs to have its proper starting address so it knows which commands from the controller it has to decode.

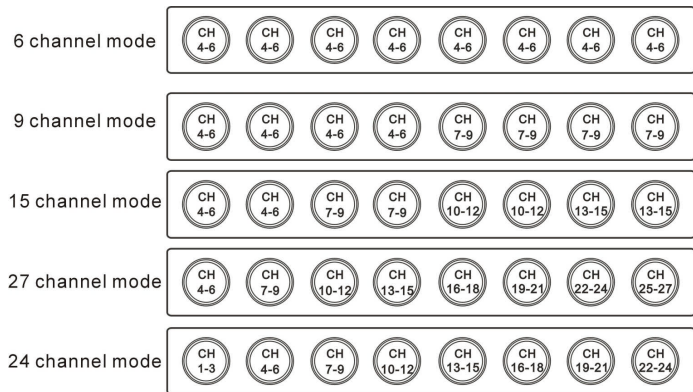


DMX-CONFIGURATION OF THE LED COLOR BANK:

U can control the Led Color Bank by 6, 9, 15, 27 or 24 DMX channels

DMX CONFIGURATION					
6-CH MODE	9-CH MODE	15-CH MODE	27-CH MODE	24-CH MODE	FUNCTIONS
1	1	1	1		COLOR MACROS
2	2	2	2		MIX-COLOR / COLOR FADE SPEED MACRO SPEED / SOUND
3	3	3	3		STROBE
4	4	4	4	1	RED
5	5	5	5	2	GREEN
6	6	6	6	3	BLUE
	7	7	7	4	RED
	8	8	8	5	GREEN
	9	9	9	6	BLUE
	10	10	10	7	RED
	11	11	11	8	GREEN
	12	12	12	9	BLUE
	13	13	13	10	RED
	14	14	14	11	GREEN
	15	15	15	12	BLUE
	16	16	16	13	RED
	17	17	17	14	GREEN
	18	18	18	15	BLUE
	19	19	19	16	RED
	20	20	20	17	GREEN
	21	21	21	18	BLUE
	22	22	22	19	RED
	23	23	23	20	GREEN
	24	24	24	21	BLUE
	25	25	25	22	RED
	26	26	26	23	GREEN
	27	27	27	24	BLUE

The Led Color Bank can be divided in maximum 8 independent zones, depending of the chosen channel mode:



DMX Configuration in 6 Channel mode:

DMX512 Configuration						
Ch1	Ch2		Ch3	Ch4	Ch5	Ch6
Color Marcos	RGB Mix/ Color Fade speed	Marco Speed/ Sound	Strobe	Red	Green	Blue
	When CH1 = 100-225	When CH1 = 100-225				
227-255 Color Marco 8	255	255	255	255	255	255
199-226 Color Marco 7	Fast	Sound	Fast	100%	100%	100%
171-198 Color Marco 6	243	Fast	///	///	///	///
142-170 Color Marco 5	242	Fast	///	///	///	///
114-141 Color Marco 4						
086-113 Color Marco 3						
057-085 Color Marco 2	16	Slow	16	Slow		
029-056 Color Marco 1	15	Slow	15	Open		
000-028 Color Fade	0	0	0	0	0	0

HOW TO OPERATE THE UNIT

YOU CAN OPERATE THE UNIT IN 3 WAYS:

- o By master/slave built-in preprogram function
- o By CA-8 easy controller
- o By universal DMX controller

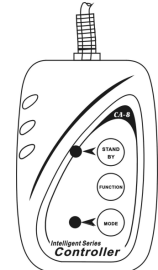
BY MASTER/SLAVE BUILT-IN PREPROGRAM FUNCTION:

Select this function when you want an instant show. By linking the units in master/slave connection, the first unit will control the other units to give an automatic, sound activated, synchronized light show. Its DMX input will have nothing plugged into it, and its master-LED will be constantly on and sound-LED will flash to the music.

Important! This function only works when the blackout mode in the menu of the master is set to OFF, otherwise nothing will happen! Read more about this option in the "How to setup" paragraph.

- **MASTER has several built-in shows:** You can select **5h 0** (random mode), **5h 1** (show 1) to **5h 8** (show 8), or **2FF0** (automatic fade mode) directly in the menu of the master.
- **BY EASY CONTROLLER:** When used in Master/slave mode we strongly advice you to use the CA-8 "Easy controller" Just connect this small controller to the 1/4" jack of the master unit, and you will be able to control the following FUNCTIONS:

Function	Strobe	Select 9 Colors	Select 9 Show modes	Setting speed
Blackout	To blackout all the fixture			
Mode	Sound (LED OFF)	Latch (LED on)	Chase (LED blink)	Speed (LED Fast blink)



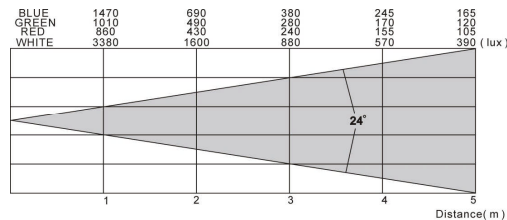
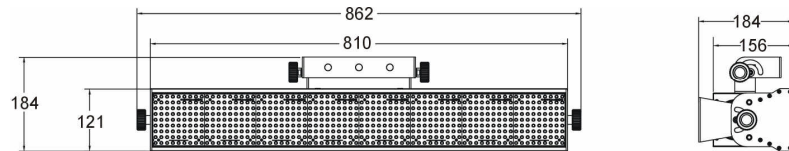
MAINTENANCE

- Make sure the area below the installation place is free from unwanted persons during servicing.
- Switch off the unit, unplug the mains cable and wait until the unit has been cooled down.
- During inspection the following points should be checked:**
 - All screws used for installing the device and any of its parts should be tightly fastened and may not be corroded.
 - Housings, fixations and installations spots (ceiling, truss, suspensions) should be totally free from any deformation.
 - When an optical lens is visibly damaged due to cracks or deep scratches, it must be replaced.
 - The mains cables must be in impeccable condition and should be replaced immediately when even a small problem is detected.
 - In order to protect the device from overheat the cooling fans (if any) and ventilation openings should be cleaned monthly.
 - The interior of the device should be cleaned annually using a vacuum cleaner or air-jet.
 - The cleaning of internal and external optical lenses and/or mirrors must be carried out periodically to optimize light output. Cleaning frequency depends on the environment in which the fixture operates: damp, smoky or particularly dirty surroundings can cause greater accumulation of dirt on the unit's optics.
 - Clean with a soft cloth using normal glass cleaning products.
 - Always dry the parts carefully.
 - Clean the external optics at least once every 30 days.
 - Clean the internal optics at least every 90 days.

Attention: We strongly recommend internal cleaning to be carried out by qualified personnel!

SPECIFICATIONS

Mains Input:	AC 230V, 50Hz
Power consumption:	105 Watt
Fuse:	250V T2A
Sound Control:	Internal microphone
DMX connections:	3pin XLR male / female
DMX channels used:	6, 9, 15, 27, 24 channels
Leds:	Red: 208, Green: 208, Blue: 230 pcs
Size:	810 x 121 x 156 mm
Weight:	8,2 kg



Every information is subject to change without prior notice

You can download the latest version of this user manual on our website: www.briteq-lighting.com

MODE D'EMPLOI

Merci d'avoir choisi ce produit BRITEQ®. Pour votre sécurité et pour une utilisation optimale de toutes les possibilités de l'appareil, lisez attentivement cette notice avant utilisation.

EN VOUS INSCRIVANT POUR LA LETTRE D'INFORMATION VOUS SEREZ TOUJOURS TENU AU COURANT DES DERNIERES NOUVELLES CONCERNANT NOS PRODUITS: NOUVEAUTES, ACTIONS SPECIALES, JOURNEES PORTES OUVERTES, ETC.
 → SURFEZ SUR: WWW.BEGLEC.COM ←

CARACTERISTIQUES

Cet appareil ne produit pas d'interférences radio. Il répond aux exigences nationales et européennes. La conformité a été établie et les déclarations et documents correspondants ont été déposés par le fabricant.

- Cet appareil a été conçu pour la production de jeux de lumières décoratifs et est utilisé dans des spectacles lumineux.
- Projecteur à LED très puissant, conçu pour des applications diverses telles que : la scène, le théâtre, la télévision, les discothèques et les clubs, etc ...
- L'appareil produit de magnifiques effets lorsqu'il est installé derrière des surfaces vitrées dépolies (murs, plafonds, sols).
- Il a recours à 648 LED Hewlett Packard / Agilent de grande puissance qui sont réparties en 8 zones indépendantes.
- Une série d'effets chenillards intégrés produisent des shows lumineux des plus saisissants. Ils peuvent être contrôlés via DMX, par le micro intégré ou par un simple contrôleur manuel quand il est utilisé en mode autonome (stand alone).
- Appareil idéal pour les studios TV à cause de son électronique (gradateur 400 Hz) !
- Plus de 16 millions de couleurs peuvent être créées via DMX !
- Fondus enchaînés tout en douceur, via DMX ou manuellement.
- Stroboscope extrêmement rapide, et ce, dans n'importe quelle couleur.
- Plusieurs modes DMX sont disponibles :
 - Mode à 6 canaux : toutes les zones réagissent de la même manière.
 - Mode à 9 canaux : le LED Color Bank est divisé en 2 zones.
 - Mode à 15 canaux : le LED Color Bank est divisé en 4 zones.
 - Mode à 27 canaux : le LED Color Bank est divisé en 8 zones.

AVANT UTILISATION

- Avant d'utiliser cet appareil, assurez-vous de l'absence de dommages liés au transport. En cas de dommages, n'utilisez pas l'appareil et contactez le vendeur.
- Important:** Cet appareil a quitté notre usine en parfaite condition et bien emballé. Il est primordial que l'utilisateur suive les instructions de sécurité et avertissements inclus dans ce manuel. La garantie ne s'applique pas en cas de dommage lié à une utilisation incorrecte. Le vendeur ne prend pas la responsabilité des défauts ou de tout problème résultant du fait de n'avoir pas tenu compte des mises en garde de ce manuel.
- Conservez ce manuel dans un endroit sûr pour toute consultation future. Si vous vendez l'appareil, assurez-vous d'y joindre ce manuel également.
- Afin de protéger l'environnement, merci de recycler les emballages autant que possible.

Vérifiez le contenu:

Vérifiez si l'emballage contient bien les articles suivants:

- Appareil
- Mode d'emploi
- Le Led Color Bank
- Câble d'alimentation

INSTRUCTIONS DE SECURITE:



CAUTION
RISK OF ELECTRIC SHOCK
DO NOT OPEN



ATTENTION: afin de réduire le risque d'électrocution, n'enlevez jamais le couvercle de l'appareil. Il n'y a aucune pièce à l'intérieur de l'appareil que vous puissiez remplacer vous-même. Confiez l'entretien uniquement à des techniciens qualifiés.



La flèche dans un triangle met l'utilisateur en garde contre la présence de haute tension sans isolation dans l'appareil, ce qui peut causer un risque d'électrocution.



Un point d'exclamation dans un triangle prévient de la présence d'instructions relatives au fonctionnement et à la maintenance se trouvant dans le manuel fourni avec l'appareil.



Ce symbole signifie: uniquement pour usage à l'intérieur.



Ce symbole signifie : Lire le mode d'emploi.



Ce symbole représente la distance de recul minimum à respecter, c'est-à-dire, la distance minimum entre le projecteur et la surface à éclairer. Cette distance doit être de plus de 0,5 mètres.

- Afin de protéger l'environnement, merci de recycler les emballages autant que possible.
- Un effet lumière neuf peut provoquer de la fumée et/ou une odeur non souhaitée, qui devrait disparaître après quelques minutes.
- Afin d'éviter tout risque d'incendie ou de décharge électrique, ne pas exposer cet appareil à la pluie ou à l'humidité.
- Pour éviter la formation de condensation à l'intérieur de l'appareil, patientez quelques minutes pour laisser l'appareil s'adapter à la température ambiante lorsqu'il arrive dans une pièce chauffée après le transport. La condensation empêche l'appareil de fonctionner manière optimale, et elle peut même causer des dommages.
- Cet appareil est destiné à une utilisation à l'intérieur uniquement.
- Ne pas insérer d'objet métallique ou renverser de liquide dans l'appareil. Aucun objet contenant un liquide, tels que des vases, ne peut être placé sur cet appareil. Cela risquerait de provoquer une décharge électrique ou un dysfonctionnement. Si un corps étranger est introduit dans l'appareil, déconnectez immédiatement de la source d'alimentation.
- Aucune source de flamme nue, telle que des bougies allumées, ne peut être placée sur l'appareil.
- Placez l'appareil dans un endroit bien ventilé, éloigné de tout matériau ou liquide inflammable. L'appareil doit être fixé à 50cm minimum des murs.
- Ne pas couvrir les orifices de ventilation, un risque de surchauffe en résulterait.
- Ne pas utiliser l'appareil dans un environnement poussiéreux et le nettoyer régulièrement.
- Ne pas laisser l'appareil à portée des enfants.
- Les personnes non expérimentées ne doivent pas utiliser cet appareil.
- La température ambiante maximale d'utilisation de l'appareil est de 40°C. Ne pas l'utiliser au-delà de cette température.
- Assurez-vous que la zone au-dessous du lieu d'installation ne comporte pas de personnes non concernées pendant le montage, le démontage et les opérations de maintenance.
- Débranchez toujours l'appareil si vous ne l'utilisez pas de manière prolongée avant d'entreprendre des réparations.
- Les installations électriques ne peuvent être faites que par du personnel qualifié et conformément aux règlements de sécurité électrique et mécanique en vigueur dans votre pays.
- Assurez-vous que la tension d'alimentation de la source d'alimentation de la zone dans laquelle vous vous trouvez ne dépasse pas celle indiquée à l'arrière de l'appareil.
- Le cordon d'alimentation doit toujours être en parfait état. Mettez immédiatement l'unité hors tension si le cordon devait être écrasé ou endommagé. Pour éviter tout risque de choc électrique, le cordon doit être remplacé par le constructeur, son agent ou un technicien qualifié.
- Ne laissez jamais le cordon d'alimentation entrer en contact avec d'autres câbles !
- L'appareil doit être à la masse selon les règles de sécurité.
- Ne pas connecter l'unité à un variateur de lumière.
- Utilisez toujours des câbles appropriés et certifiés lorsque vous installez l'appareil.

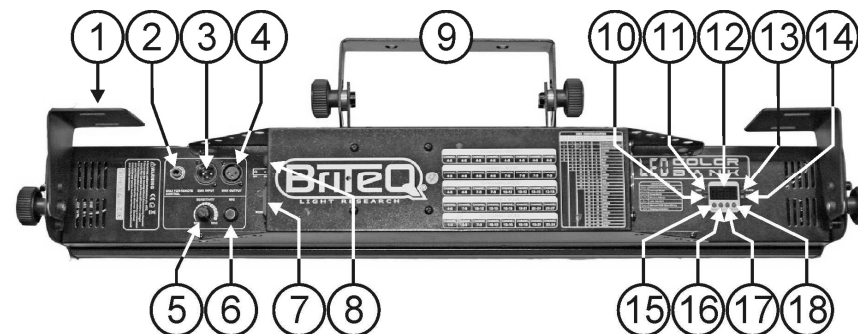
- Pour éviter toute décharge électrique, ne pas ouvrir l'appareil. Il n'y a pas de pièces pouvant être changées par l'utilisateur à l'intérieur.
- **Ne jamais** réparer ou court-circuiter un fusible. Remplacez **systématiquement** un fusible endommagé par un fusible de même type et ayant les mêmes spécifications électriques !
- En cas de problèmes de fonctionnement sérieux, arrêtez toute utilisation de l'appareil et contactez votre revendeur immédiatement.
- La carrosserie et les lentilles doivent être remplacées si elles sont visiblement endommagées.
- Utilisez l'emballage d'origine si l'appareil doit être transporté.
- Pour des raisons de sécurité, il est interdit d'apporter une quelconque modification à l'unité non spécifiquement autorisée par les parties responsables.

Important: Ne jamais fixer directement la source de lumière ! Ne pas utiliser d'effets en présence de personnes souffrant d'épilepsie.

INSTALLATION EN HAUTEUR

- **Important:** L'installation doit être faite par du personnel qualifié uniquement. Une installation incorrecte peut causer des blessures sévères et/ou endommager l'appareil. L'installation en hauteur exige de l'expérience ! Les limites de charge doivent être scrupuleusement respectées, du matériel d'installation certifié doit être utilisé, et l'appareil installé doit subir des inspections de sécurité régulièrement.
- Assurez-vous que la zone au-dessous du lieu d'installation ne comporte pas de personnes non concernées lors de l'installation, la désinstallation ou la maintenance.
- Placez l'appareil dans un endroit bien ventilé, éloigné de tout matériau ou liquide inflammable. L'appareil doit être fixé à **50cm minimum** des murs situés à proximité.
- L'appareil doit être hors de portée du public et en dehors des zones de passage de personnes ou des zones où le public est installé.
- Avant l'installation, assurez-vous que la zone d'installation pourra supporter, en son point de fixation, un minimum de 10 fois le poids de l'appareil.
- Utilisez systématiquement un câble de sécurité qui peut supporter 12 fois le poids de l'appareil lors de l'installation. Ce câble de sécurité secondaire doit être installé de manière à ce qu'aucune partie de l'appareil ne puisse descendre de plus de 20 cm si le support principal tombe.
- L'appareil doit être bien fixé, un montage à balancement est dangereux et ne devrait pas être pris en considération !
- Ne pas couvrir les orifices de ventilation pour éviter tout risque de surchauffe.
- L'utilisateur doit s'assurer que les installations techniques et de sécurité sont bien approuvées par un expert avant la première utilisation. Les installations doivent être inspectées chaque année par du personnel qualifié pour assurer une sécurité optimale.

DESCRIPTION:



- Support de fixation mural** : peut être utilisé pour fixer l'appareil au mur, au plafond, etc.
- Prise ¼"** utilisée pour connecter le contrôleur CA-8 optionnel
- Entrée DMX**
- Sortie DMX**
- Réglage de sensibilité** du microphone
- Microphone** interne
- Entrée de l'alimentation secteur**: Connectez le câble d'alimentation fournis à cette prise.
- Interrupteur d'alimentation**: pour allumer/éteindre l'appareil
- Support de fixation** : peut être utilisé pour fixer l'appareil dans un pont à l'aide d'un crochet de fixation
- Led MASTER**: elle est allumée quand l'appareil est utilisé en tant qu'appareil maître
- Led DMX**: elle est allumée quand l'appareil reçoit un signal DMX
- L'écran** montre les différents menus et les fonctions sélectionnées
- Led SLAVE**: elle est allumée quand l'appareil est en mode esclave
- Led SOUND**: elle clignote suivant le rythme de la musique quand l'appareil est en mode audio
- Touche MENU**: utilisée pour sélectionner les différents chapitres du menu
- Touche DOWN**: utilisée pour reculer dans le menu et pour diminuer les valeurs affichées par l'écran
- Touche UP**: utilisée pour avancer dans le menu et pour augmenter les valeurs affichées par l'écran
- Touche ENTER**: utilisée pour confirmer votre sélection

COMMENT REGLER L'APPAREIL

MENU PRINCIPAL:

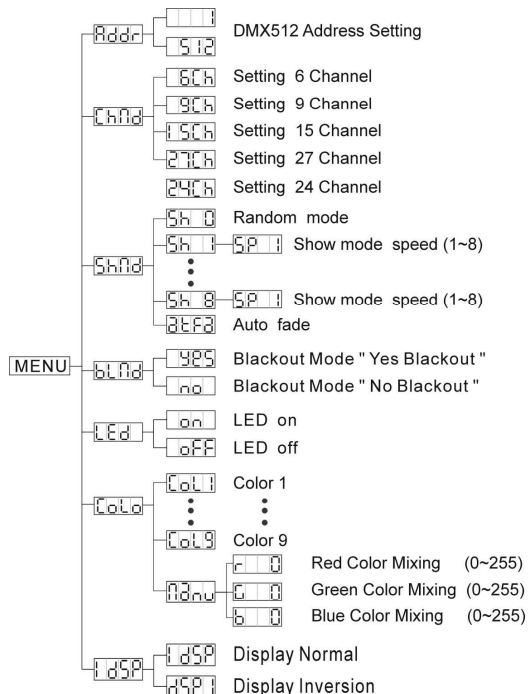
- Pour sélectionner une option du menu, appuyez sur la touche **MENU** jusqu'à ce que la fonction désirée apparaisse à l'écran.
 - Sélectionnez la fonction à l'aide de la touche **ENTER**. L'écran clignotera.
 - Utilisez les touches **DOWN** et **UP** pour choisir dans le menu l'option désirée.
- Dès que vous avez sélectionné l'option désirée dans le menu, appuyez sur la touche **ENTER** pour confirmer. Après 8 secondes l'écran retournera automatiquement aux fonctions principales sans avoir modifié quoi que ce soit. Pour retourner aux fonctions sans effectuer de changements, appuyez sur la touche **MENU**. La structure du menu est affichée ci-contre

Addr Reglage de l'adresse DMX512 Est utilisé pour régler l'adresse de départ dans une configuration DMX.

- Appuyez sur la touche MENU jusqu'à ce que **Addr** soit affiché à l'écran.
- Appuyez sur la touche ENTER, l'écran commence à clignoter.
- Utilisez les touches DOWN et UP pour changer l'adresse DMX512.
- Quand l'adresse désirée est affiché à l'écran, appuyez sur la touche ENTER pour confirmer votre choix.
(Où il retournera automatiquement aux fonctions principales sans aucune modification après 8 secondes)
Pour retourner aux fonctions sans effectuer de changements, appuyez à nouveau sur la touche MENU.

Chan Channel Mode (Mode canal)

- Appuyez sur la touche MENU jusqu'à ce que les lettres **Chan** soient affichées par l'écran.
- Appuyez sur la touche ENTER, ce qui a pour conséquence que l'écran commence à clignoter.



- Utilisez les touches DOWN et UP pour sélectionner le mode de fonctionnement par 6, 9, 15, 27, ou 24 canaux DMX.
- Une fois que le mode est sélectionné, appuyez sur la touche ENTER pour confirmer (ou vous retournerez vers les fonctions principales si aucune activité n'est détectée par l'appareil pendant 8 secondes).
Pour retourner vers les fonctions sans effectuer de changements, appuyez de nouveau sur la touche MENU.

Show Show Mode

Mode utilisé pour sélectionner l'un des shows préprogrammés quand on est en mode 'standalone' (autonome) ou en mode 'master/slave' (maître/esclave). Cette option du menu n'est pas disponible quand l'appareil est réglé en mode esclave

- Appuyez sur la touche MENU jusqu'à ce que **Show** est affiché à l'écran.
- Appuyez sur la touche ENTER, le show en mémoire commence à clignoter à l'écran.
- Utilisez les touches DOWN et UP pour sélectionner **Sh 0** (mode aléatoire), et de **Sh 1** à **Sh 8**, ou **OFF** (Mode Auto Fade).
- Un fois que le numéro du show désiré clignote à l'écran, appuyez sur la touche ENTER pour l'enregistrer.
(Où il retournera automatiquement aux fonctions principales sans aucune modification après 8 secondes)
Pour retourner aux fonctions sans effectuer de changements, appuyez à nouveau sur la touche MENU.
Quand vous avez appuyé sur la touche ENTER pour confirmer, les lettres **SP.** apparaissent et se mettent à clignoter. A ce stade, vous devez sélectionner une vitesse pour le chenillard comprise entre 1 et 8. Appuyez de nouveau sur la touche ENTER pour confirmer votre choix, sinon, le programme retournera vers le menu principal après 8 secondes et sans avoir changé la vitesse du nouveau show.

Black Mode Black out

Black out mode: quand aucun signal DMX est détecté, l'appareil se met en black out.

Mode « pas de black-out »: quand aucun signal DMX n'est détecté, l'appareil se met automatiquement à fonctionner en mode master.

Cette option du menu n'est pas disponible quand l'appareil est réglé en mode esclave

- Appuyez sur la touche MENU jusqu'à ce que **Black** soit affiché à l'écran.
- Appuyez sur la touche ENTER, la sélection en mémoire commence à clignoter à l'écran.
- Utilisez les touches DOWN et UP pour sélectionner 'YES' (mode black out) ou 'NO' (mode sans black out).
- Dès que le mode de fonctionnement est affiché à l'écran, appuyez sur la touche ENTER pour confirmer votre choix.
(Où il retournera automatiquement aux fonctions principales sans aucune modification après 8 secondes)
Pour retourner aux fonctions sans effectuer de changements, appuyez à nouveau sur la touche MENU.

LED Led Display

Display on: l'écran est toujours allumé.

Display off: l'écran est éteint quand il n'est pas utilisé.

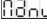
- Appuyez sur la touche MENU jusqu'à ce que l'écran affiche **LED**.
- Appuyez sur la touche ENTER, l'écran commence à clignoter.
- Utilisez les touches DOWN et UP pour sélectionner **on** (écran toujours allumé) ou **off** (écran éteint si pas utilisé).
- Dès que le mode de fonctionnement est affiché à l'écran, appuyez sur la touche ENTER pour confirmer votre choix.
(Où il retournera automatiquement aux fonctions principales sans aucune modification après 8 secondes)
Pour retourner aux fonctions sans effectuer de changements, appuyez à nouveau sur la touche MENU.

Color Color Mode


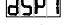

De **Col 1** à **Col 9**: utilisé pour sélectionner l'une des couleurs préprogrammées.

Color: utilisé pour créer manuellement votre propres couleurs.

- Appuyez sur la touche MENU jusqu'à ce que l'écran affiche **Color**.
- Appuyez sur la touche ENTER, l'écran commence à clignoter.
- Utilisez les touches DOWN et UP pour sélectionner de **Col 1** à **Col 9**, ou **Color**.


- Dès que le mode de fonctionnement est affiché à l'écran, appuyez sur la touche ENTER pour confirmer votre choix.
(Où il retournera automatiquement aux fonctions principales sans aucune modification après 8 secondes)
Pour retourner aux fonctions sans effectuer de changements, appuyez à nouveau sur la touche MENU.
- Quand vous avez sélectionné , c'est-à-dire le mode manuel, vous pouvez créer vos propres couleurs en entrant une valeur comprise entre 0 et 255 pour chacune des couleurs RGB. Utilisez les touches UP et DOWN pour modifier les valeurs. Utilisez la touche ENTER pour passer à la couleur RGB qui suit.

Inversion Display

- Appuyez sur la touche MENU jusqu'à ce que  clignote sur l'écran. (affichage normal)
- Utilisez la touche ENTER pour changer l'affichage  (affichage inversé), l'option sera automatiquement enregistrée après 8 secondes. Ou appuyez à nouveau sur la touche ENTER pour retourner à l'affichage normal .

Pour retourner vers les fonctions, appuyez sur la touche MENU

INSTALLATION ELECTRIQUE + ADRESSAGE

 **Important:** L'installation électrique doit uniquement être effectuée par du personnel qualifié, selon la législation concernant les mesures de sécurité électriques et mécaniques en vigueur dans votre pays.

Installation électrique pour 1 appareil en fonctionnement seul:

- Installez simplement le câble secteur. L'appareil commencera à fonctionner immédiatement en mode autonome.

Remarque 1: vous pouvez brancher une commande à distance CA-8 sur l'appareil si vous souhaitez avoir plus de possibilités de contrôle. Référez-vous à la section 'Comment utiliser l'appareil' pour apprendre à effectuer cette procédure correctement.

Remarque 2: s'il n'y a pas de sortie, veuillez vous assurer que l'appareil soit bien réglé en mode 'master'

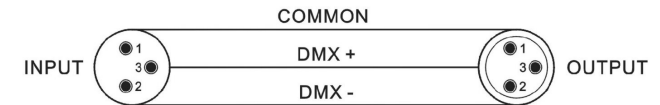
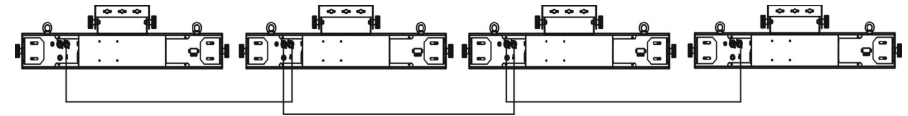
Installation électrique pour deux ou plusieurs appareils en maître/esclave:

- Branchez les appareils ensemble en utilisant des câbles symétriques pour micro de bonne qualité. Mettez le premier appareil de la chaîne en mode 'master', les autres doivent être mis en mode esclave. Se reporter au chapitre précédent pour de plus amples informations.
- Assurez-vous que les appareils sont tous branchés sur le secteur.
- Et c'est terminé!

Remarque: vous pouvez brancher une commande à distance CA-8 sur l'appareil maître (master) si vous souhaitez avoir plus de contrôle sur le fonctionnement maître/esclave.

Installation électrique en mode DMX :

- Le protocole DMX est un signal à haute vitesse très utilisé pour contrôler des équipements de lumières intelligents. Vous devez connecter en guirlande votre contrôleur DMX et tous les appareils avec un câble balancé de bonne qualité.
- Les deux types de connecteurs XLR, ceux à 3 broches comme ceux à 5 broches, peuvent être utilisés ; cependant, les connecteurs à 3 broches se rencontrent plus fréquemment car ils sont compatibles avec les câbles audio symétriques.
Plan de câblage des XLR à 3 broches : Broche 1 = prise de terre ~ broche 2 = signal négatif (-) ~ broche 3 = signal positif (+)
Plan de câblage des XLR à 5 broches : Broche 1 = prise de terre ~ broche 2 = signal négatif (-) ~ broche 3 = signal positif (+) ~ broches 4 et 5 : non utilisées.
- Pour éviter des comportements étranges des effets de lumières dus aux interférences, vous devez utiliser une résistance de bouclage de 90Ω à 120Ω au bout de la guirlande. Ne jamais utiliser de séparateur de câbles en forme « Y », cela ne fonctionnera pas!
- Assurez-vous que les appareils sont tous branchés sur le secteur.
- Chaque effet de lumière dans la guirlande doit avoir sa propre adresse de départ afin de savoir quelle est la commande du contrôleur il doit décoder.

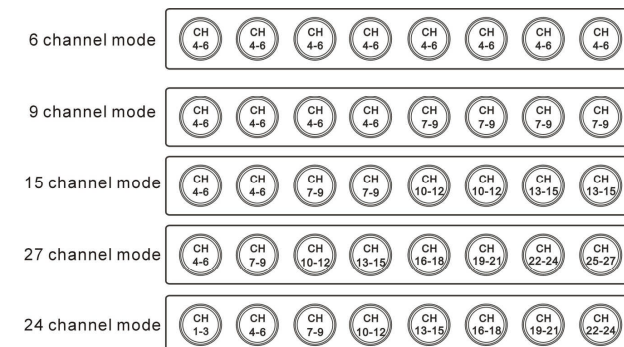


CONFIGURATION DMX DU THE LED COLOR BANK:

Vous pouvez contrôler le LED Color Bank au moyen de 6, 9, 15, 27 ou 24 canaux DMX.

DMX CONFIGURATION					
6-CH MODE	9-CH MODE	15-CH MODE	27-CH MODE	24-CH MODE	FUNCTIONS
1	1	1	1		COLOR MACROS
2	2	2	2		MIX-COLOR / COLOR FADE SPEED MACRO SPEED / SOUND
3	3	3	3		STROBE
4	4	4	4	1	RED
5	5	5	5	2	GREEN
6	6	6	6	3	BLUE
7	7	7	7	4	RED
8	8	8	8	5	GREEN
9	9	9	9	6	BLUE
10	10	10	10	7	RED
11	11	11	11	8	GREEN
12	12	12	12	9	BLUE
13	13	13	13	10	RED
14	14	14	14	11	GREEN
15	15	15	15	12	BLUE
16	16	16	16	13	RED
17	17	17	17	14	GREEN
18	18	18	18	15	BLUE
19	19	19	19	16	RED
20	20	20	20	17	GREEN
21	21	21	21	18	BLUE
22	22	22	22	19	RED
23	23	23	23	20	GREEN
24	24	24	24	21	BLUE
25	25	25	25	22	RED
26	26	26	26	23	GREEN
27	27	27	27	24	BLUE

Le LED Color Bank peut être divisé en 8 zones indépendantes au maximum, selon le mode (et donc le nombre de canaux) choisi :



Configuration DMX en mode 6 canaux:

DMX512 Configuration						
Ch1	Ch2		Ch3	Ch4	Ch5	Ch6
Color Marcos	RGB Mix/ Color Fade speed	Marco Speed/ Sound	Strobe	Red	Green	Blue
	When CH1 = 100-028	When CH1 = 102-255				
227-255 Color Marco 8	255	255	255	255	100%	100%
199-226 Color Marco 7	Fast	Sound	Fast			
171-198 Color Marco 6	243	242	///			
142-170 Color Marco 5	Fast	Fast	///			
114-141 Color Marco 4	Fast	Fast	///			
086-113 Color Marco 3	Fast	Fast	///			
057-085 Color Marco 2	1.6	1.6	1.6	1.6	1.6	1.6
029-056 Color Marco 1	1.5	1.5	1.5	1.5	1.5	1.5
000-028 Color Fade	0	0	0	0	0	0

COMMENT UTILISER L'APPAREIL

Chaque fois que vous allumerez l'appareil, l'écran affichera L777

Vous pouvez utiliser l'appareil selon 3 façons:

- En utilisant les programmes intégrés maître/esclave
- En utilisant le petit contrôleur
- En utilisant un contrôleur DMX universel

• EN UTILISANT LES PROGRAMMES INTÉGRÉS MAÎTRE/ESCLAVE:

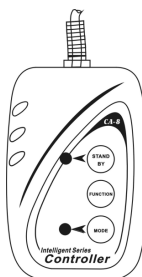
Sélectionnez cette fonction si vous voulez un show instantané. En reliant tous les appareils selon le principe maître/esclave, le premier appareil contrôlera tous les autres appareils en effectuant un show automatique et synchronisé au rythme de la musique. Rien ne sera branché à son entrée DMX et sa LED « master » sera constamment allumée, tandis que la LED « sound » clignotera au rythme de la musique.

Important ! Cette fonction n'est opérationnelle que quand le mode black out du menu de l'appareil maître est OFF (désactivé), sans quoi, rien ne se passe ! Pour en savoir plus à propos de cette option, se reporter au chapitre 'Comment régler l'appareil'.

- **Le MASTER dispose de plusieurs shows préprogrammés :** on peut sélectionner **Sh 0** (mode aléatoire), **Sh 1** (show 1) à **Sh 8** (show 8), ou **OFF** (fondu automatique) directement dans le menu de l'appareil maître.

• EN UTILISANT LE CONTRÔLEUR CA-8:

Si vous utilisez l'appareil en mode maître/esclave nous vous recommandons d'utiliser le contrôleur CA-8. Connectez ce petit contrôleur à l'entrée jack 1/4" de l'appareil maître. Ceci vous permettra de contrôler les fonctions suivantes:



Blackout	Pour une extinction totale de l'appareil			
Stroboscope 1. Stroboscope synchrone, en blanc 2. Stroboscope synchrone (arc en ciel) 3. Réaction synchrone au son, en blanc 4. Réaction synchrone au son (arc en ciel)	Sélection des 9 couleurs 10. Rouge 11. Orange 12. Jaune 13. Vert 14. Cyan 15. Bleu 16. Pourpre 17. Magenta 18. Blanc	Sélection des 9 modes 'show' 1. Show 1 2. Show 2 3. Show 3 4. Show 4 5. Show 5 6. Show 6 7. Show 7 8. Show 8 9. Auto fade	Réglage de la vitesse 1 - Vitesse lente 2 - Vitesse moyenne 3 - Vitesse rapide	
Mode Sound (la LED est éteinte)	Latch (la LED est allumée)	Chase (la LED clignote lentement)	Vitesse (la LED clignote rapidement)	

MAINTENANCE

- Assurez-vous que la zone au-dessous du lieu d'installation ne comporte pas de personnes non concernées lors de la maintenance
- Mettez l'appareil hors tension, débranchez le cordon d'alimentation et attendez que l'appareil ait refroidi.

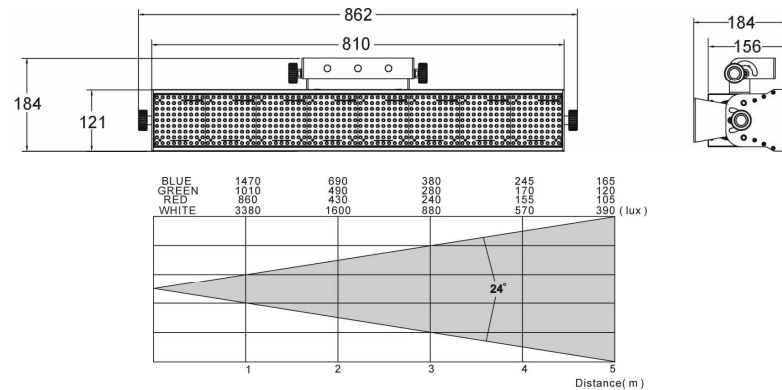
Pendant l'inspection, les points suivants doivent être vérifiés :

- Toutes les vis utilisées pour l'installation de l'appareil ou de chacune de ses pièces doivent être bien fixées et non corrodées.
- Les niches, fixations et structures de support (plafond, poutres, suspensions) doivent être totalement intactes, sans aucune déformation.
- Lorsqu'une lentille optique est visiblement endommagée (fissure ou éraflures profondes), elle doit être remplacée.
- Les câbles doivent être en parfait état et doivent être remplacés immédiatement en cas de détection d'un problème, même bénin.
- Pour protéger l'appareil de toute surchauffe, les ventilateurs (le cas échéant) et les orifices de ventilation doivent être nettoyés tous les mois.
- L'intérieur de l'appareil doit être nettoyé chaque année à l'aide d'un aspirateur ou d'un pistolet à air.
- Le nettoyage des lentilles optiques internes et externes et/ou des miroirs doit être effectué périodiquement pour optimiser la production de lumière. La fréquence de nettoyage dépend de l'environnement dans lequel l'appareil fonctionne: des environnements humides, enfumés ou particulièrement sales peuvent entraîner une accumulation de saletés plus importante sur les parties optiques de l'appareil.
 - Nettoyez à l'aide d'un chiffon doux avec des produits de nettoyage pour verres normaux.
 - Séchez toujours les parties soigneusement.
 - Nettoyez les optiques externes au moins une fois tous les 30 jours.
 - Nettoyez les optiques internes au moins une fois tous les 90 jours.

Attention: Nous vous recommandons fortement de faire exécuter le nettoyage interne par du personnel qualifié !

SPECIFICATIONS

Alimentation:	CA 230V, 50Hz
Consommation :	105 watts
Fusible:	250V .T2A
Contrôle du son:	microphone interne
Connexions DMX:	connecteurs XLR mâle / femelle à 3 broches
Canaux DMX utilisés :	6, 9, 15, 27, 24 canaux
LED:	208 rouges, 208 vertes, 230 bleues
Dimensions:	810 x 121 x 156 mm
Poids:	8,2 kg



Chacune de ces informations peut être modifiée sans avertissement préalable. Vous pouvez télécharger la dernière version de ce mode d'emploi de notre site Web: www.briteq-lighting.com

GEBRUIKSAANWIJZING

Hartelijk dank voor de aankoop van dit BriTeQ® product. Om ten volle te kunnen profiteren van alle mogelijkheden en voor uw eigen veiligheid, gelieve de aanwijzingen zeer zorgvuldig te lezen voor U begint het apparaat te gebruiken.

DOOR U OP ONZE MAILINGLIJST IN TE SCHRIJVEN ONTVANGT U STEEDS DE LAATSTE INFORMATIE OVER ONZE PRODUCTEN: NIEUWIGHEDEN, SPECIALE ACTIES, OPENDEURDAGEN, ENZ.
→ SURF NAAR: WWW.BEGLEC.COM ←

KARAKTERISTIEKEN

In dit apparaat is radio-interferentie onderdrukt. Dit product voldoet aan de gangbare Europese en nationale voorschriften. Het is vastgesteld dat het apparaat er zich aan houdt en de desbetreffende verklaringen en documenten zijn door de fabrikant afgegeven.

- Het toestel is ontworpen om decoratieve lichteffecten te produceren en kan eventueel worden gebruikt in lichtshows.
- Krachtige LED projector, ontworpen voor verschillende toepassingen zoals: podiumverlichting, theater, TV, discotheken en clubs, etc...
- Creëert prachtige effecten wanneer deze achter glazen muren, plafonds of vloeren worden geplaatst.
- Uitgerust met 648 high power Hewlett Packard / Agilent LEDs, welke opgesplitst kunnen worden in 8 onafhankelijke zones.
- Verschillende ingebouwde chases zorgen voor indrukwekkende effecten. Kan gecontroleerd worden via DMX, via de ingebouwde microfoon of via de een eenvoudige handcontroller wanneer het toestel in master/slave of standalone werkt.
- Perfect voor toepassingen in Tv-studio's dank zij de 400Hz dimmer elektronica!
- Meer dan 16miljoen kleuren kunnen via DMX samengesteld worden!
- Zachte vloeiende kleurovergangen (via DMX of met de handcontroller)
- Zeer snelle strobe functie in om het even welke kleur
- Verschillende DMX werkmodi:
 - 6 kanalen: de 8 zones reageren op dezelfde manier
 - 9 kanalen: de LED color bank wordt opgesplitst in 2 zones
 - 15 kanalen: de LED color bank wordt opgesplitst in 4 zones
 - 27 kanalen: de LED color bank wordt opgesplitst in 8 zones

VOOR DE IN GEBRUIKNAME

Controleer voor het eerste gebruik van het apparaat of het tijdens het transport beschadigd werd. Mocht er schade zijn, gebruik het dan niet, maar raadpleeg eerst uw dealer.

Belangrijk: Dit apparaat verliet de fabriek in uitstekende staat en goed verpakt. Het is erg belangrijk dat de gebruiker de veiligheidsaanwijzingen en raadgevingen in deze gebruiksaanwijzing uiterst nauwkeurig volgt. Elke schade veroorzaakt door verkeerd gebruik van het apparaat valt niet onder de garantie. De dealer aanvaardt geen verantwoordelijkheid voor mankementen en problemen die komen door het veronachtzamen van deze gebruiksaanwijzing.

Bewaar deze brochure op een veilige plaats om hem in de toekomst nogmaals te kunnen raadplegen. Indien U het apparaat verkoopt, denkt U er wel aan om de gebruiksaanwijzing bij te voegen.

Controleer de inhoud:

Controleer of de doos volgende onderdelen bevat:

- Handleiding
- De Led Color Bank
- Voedingskabel

VEILIGHEIDSVOORSCHRIFTEN:



CAUTION
RISK OF ELECTRIC SHOCK
DO NOT OPEN



WAARSCHUWING: Om het risico op elektrocutie zoveel mogelijk te vermijden mag u nooit de behuizing verwijderen. Er bevinden zich geen onderdelen in het toestel die u zelf kan herstellen. Laat de herstellingen enkel uitvoeren door een bevoegde technicus.



De bliksempijl die zich in een gelijkbenige driehoek bevindt is bedoeld om u te wijzen op het gebruik of de aanwezigheid van niet-geïsoleerde onderdelen met een "gevaarlijke spanning" in het toestel die voldoende kracht heeft om een risico van elektrocutie in te houden.



Het uitroepteken binnen de gelijkbenige driehoek is bedoeld om de gebruiker erop te wijzen dat er in de meegeleverde literatuur belangrijke gebruik en onderhoudsinstructies vermeld staan betreffende dit onderdeel.



Dit symbool betekent: het apparaat mag enkel binnenhuis worden gebruikt.



Dit symbool betekent: Lees de handleiding!



Dit symbool bepaalt: de minimumafstand van te belichten voorwerpen. De minimumafstand tussen projector en het verlichte voorwerp moet meer dan 0,5 meter zijn.

- Om het milieu te beschermen, probeer zoveel mogelijk het verpakkingsmateriaal te recyclen.
- Een nieuw lichteffect kan soms ongewenste rook en/of reuk veroorzaken. Dit is normaal en verdwijnt na een paar minuten.
- Stel dit apparaat niet bloot aan regen of vocht, dit om het risico op brand en elektrische schokken te voorkomen.
- Om de vorming van condensatie binnenin te voorkomen, laat het apparaat aan de omgevingstemperatuur wennen wanneer het, na het transport, naar een warm vertrek is overgebracht. Condensatie kan het toestel soms verhinderen perfect te functioneren. Het kan soms zelfs schade aan het apparaat toebrengen.
- Gebruik dit apparaat uitsluitend binnenshuis.
- Plaats geen stukken metaal en mors geen vocht binnen in het toestel om elektrische schokken of storing te vermijden. Indien een vreemd voorwerp in het apparaat geraakt, moet U het direct van het lichtnet afkoppelen.
- Plaats de installatie op een plaats met goede ventilatie, ver van brandbare materialen en/of vloeistoffen.
- Bedek geen enkele ventilatieopening om oververhitting te vermijden.
- Zorg dat het toestel niet in een stoffige omgeving wordt gebruikt en maak het regelmatig schoon.
- Houd het apparaat uit de buurt van kinderen.
- Dit apparaat mag niet door onervaren personen bediend worden.
- De maximum veilige omgevingstemperatuur is 40°C. Gebruik het apparaat dus niet bij hogere temperaturen.
- Verzeker er U van dat er zich onder de plaats waar het toestel wordt geïnstalleerd geen ongewenste personen bevinden tijdens het bevestigen en losmaken alsook bij het onderhoud.
- Trek altijd de stekker uit wanneer het apparaat gedurende langere tijd niet wordt gebruikt of alvorens te beginnen met de onderhoudsbeurt.
- De elektrische installatie behoort uitsluitend uitgevoerd te worden door bevoegd personeel, volgens de in uw land geldende regels betreffende elektrische en mechanische veiligheid.
- Controleer dat de beschikbare spanning niet hoger is dan die aangegeven op de achterzijde van het toestel.
- De elektrische kabel behoort altijd in uitstekende staat te zijn. Zet het apparaat onmiddellijk af als de elektrische kabel gekneusd of beschadigd is. De kabel moet vervangen worden door de fabrikant zelf, zijn dealer of vergelijkbare bekwaame personen om een brand te voorkomen.
- Laat de elektrische draad nooit in contact komen met andere draden.
- Volgens de veiligheidsvoorschriften moet deze installatie geaard worden.
- Sluit het apparaat niet aan op een elektronische dimmer.
- Gebruik altijd een geschikte en gekeurde veiligheidskabel bij het installeren van het toestel.
- Om elektrische schokken te voorkomen, moet U de behuizing niet openen. Er zitten geen onderdelen in die door de gebruiker kunnen worden onderhouden.
- Repareer **nooit** een zekering en overbrug de zekeringhouder nooit. Vervang een beschadigde zekering **steeds** door een zekering van hetzelfde type en met dezelfde elektrische kenmerken.

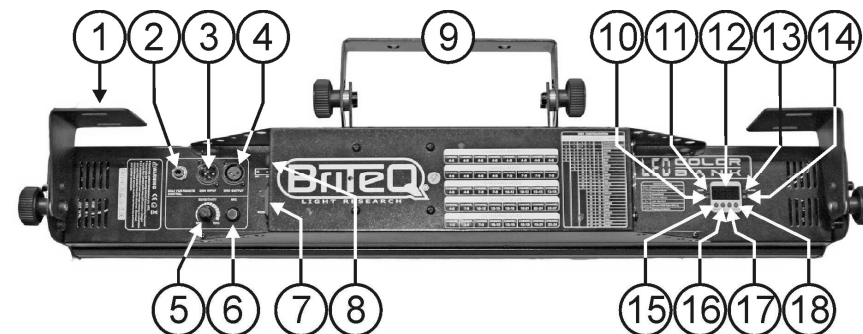
- Ingeval van ernstige problemen met het bedienen van het toestel, stopt U onmiddellijk het gebruik ervan. Contacteer uw dealer voor een eventuele reparatie.
- De behuizing en de lenzen moeten vervangen worden als ze zichtbaar beschadigd zijn.
- Gebruik best de originele verpakking als het toestel vervoerd moet worden.
- Om veiligheidsredenen is het verboden modificaties aan het toestel aan te brengen.

Belangrijk: Kijk nooit rechtstreeks in de lichtbron. Gebruik het lichteffect niet in de tegenwoordigheid van personen die lijden aan epilepsie.

OPHANGEN VAN HET APPARAAT

- **Belangrijk:** De installatie van het toestel mag uitsluitend door bekwaam onderhoudspersoneel uitgevoerd worden. Onjuiste plaatsing kan ernstige letsels en/of schade aan eigendommen tot gevolg hebben. Het ophangen vergt veel ervaring. U behoort de grenzen te respecteren aan de werklust; erkende installeringmaterialen moeten worden gebruikt; de veiligheid van het geïnstalleerde toestel moet regelmatig worden gecontroleerd.
- Overtuig U ervan dat het gebied onder installatieplaats vrij is van ongewenste personen tijdens het plaatsen, het weghalen en het onderhoud.
- Installeer het toestel op een goed geventileerde plaats, ver van brandbare stoffen en/of vloeistoffen. Het toestel moet worden bevestigd op **minstens 50 cm** van de omringende muren.
- Het toestel moet worden geïnstalleerd buiten het bereik van iedereen en weg van plaatsen waar men mag lopen en zitten.
- Alvorens tot plaatsen over te gaan, moet men controleren dat de minimum puntbelasting van de installatieplaats 10 keer het gewicht van het toestel bedraagt.
- Gebruik bij het installeren van het toestel altijd een gewaarmerkte veiligheidskabel die 12 keer het gewicht van het toestel kan dragen. Deze bijkomende veiligheidsbevestiging moet zo worden aangebracht dat geen deel van het toestel meer dan 20 cm vallen kan als de hoofdbeveiliging faalt.
- Het apparaat moet goed worden vastgezet; aan een vrij zwaaiende montage mag zelfs niet gedacht worden.
- Bedek geen ventilatieopeningen, anders zou dit oververhitting tot gevolg kunnen hebben.
- De gebruiker moet er zich van verzekeren dat de installaties met betrekking tot de veiligheid en de technische mechaniek door een expert zijn goedgekeurd alvorens ze voor de eerste keer te gebruiken. Elk jaar moeten de installaties worden gekeurd door een vakman om te controleren of de veiligheid nog steeds perfect is.

BESCHRIJVING:



1. **Bevestigingsplaat:** wordt gebruikt om het toestel aan een muur of plafond te bevestigen
2. **1/4" Jack ingang** voor de optionele CA-8 hand controller
3. **DMX ingang**
4. **DMX uitgang**
5. **SENSITIVITY:** laat u toe de gevoeligheid van de ingebouwde microfoon te regelen
6. **Ingebouwde microfoon**

7. **Voedingsconnector** met IEC stekker. Sluit hier de meegeleverde stroomkabel aan
8. **Voedingsschakelaar:** om het toestel aan/uit te zetten
9. **Ophangbeugel:** wordt gebruikt om het toestel (met een bevestigingshaak) aan een lichtbrug te hangen
10. **MASTER LED:** is aan wanneer het toestel ingesteld is als master
11. **DMX LED:** is aan wanneer het toestel een DMX-sigitaal ontvangt
12. **DISPLAY:** geeft de verschillende menu's en de geselecteerde functies weer
13. **SLAVE LED:** is aan wanneer het toestel in slave modus staat
14. **SOUND LED:** knippert op het ritme van de muziek wanneer het toestel in audio modus staat
15. **MENU toets:** wordt gebruikt om de verschillende menu's te selecteren
16. **DOWN toets:** om terug te gaan in het menu en om waarden die in het display worden weergegeven te verlagen
17. **UP toets:** om verder te gaan in het menu en om waarden die in het display worden weergegeven te verhogen
18. **ENTER toets:** wordt gebruikt om uw keuze te bevestigen

HOE INSTELLEN:

HOOFDMENU:

- Druk op de **MENU** toets tot het gewenste menu op het scherm verschijnt.
- Selecteer de functie door op de **ENTER** toets te drukken. De display zal beginnen knipperen.
- Gebruik de **DOWN** en **UP** toetsen om de gewenste menu optie te kiezen.
- Druk daarna op de **ENTER** toets om de selectie te bevestigen. Om terug te keren naar de hoofdfuncties zonder iets te veranderen kunt u terug op de **MENU** toets drukken of gewoon 8 seconden wachten.

Addr DMX512 adres instellen

Bepaalt het startadres in de DMX opstelling.

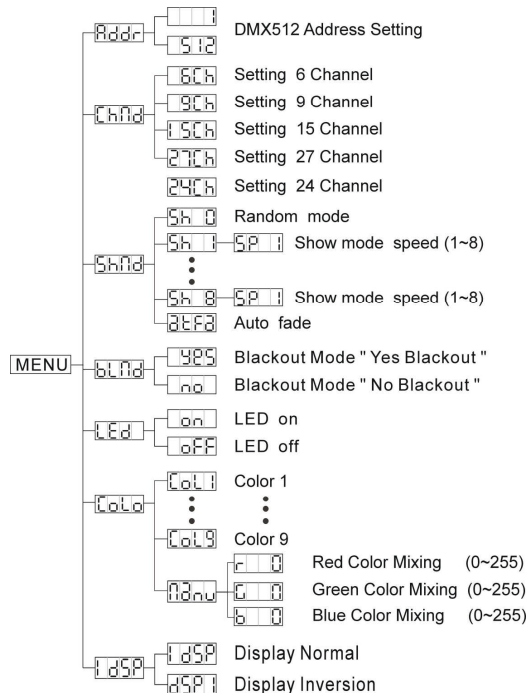
- Druk op de MENU toets tot **Addr** wordt weergegeven op de display.
- Druk op de ENTER toets, de display begint te knipperen.
- Gebruik de DOWN en UP toetsen om het DMX512 adres te veranderen.
- Wanneer het gewenste adres op de display verschijnt moet u dit bevestigen door op de ENTER toets te drukken. (indien u dit niet doet wordt er na 8 seconden terug overgegaan naar het hoofdmenu zonder de veranderingen op te slagen)

U kunt ook terugkeren naar het hoofdmenu zonder iets te wijzigen door terug op de MENU toets te drukken.

Chnd Channel Mode

- Druk op de MENU toets tot **Chnd** wordt weergegeven op de display.
- Druk op de ENTER toets, de display begint te knipperen.
- Gebruik de DOWN en UP toetsen om de 6-kanaals, de 9-kanaals, de 15-kanaals, de 27-kanaals of de 24-kanaals modus te kiezen.
- Druk daarna op de ENTER toets om uw keuze te bevestigen.
- (indien u dit niet doet wordt er na 8 seconden terug overgegaan naar het hoofdmenu zonder de veranderingen op te slagen)

U kunt ook terugkeren naar het hoofdmenu zonder iets te wijzigen door terug op de MENU toets te drukken.



Shnd Show Mode

Wordt gebruikt om één van de voorgeprogrammeerde shows te selecteren wanneer het toestel autonoom of in master/slave wordt gebruikt. Deze optie is niet beschikbaar wanneer het toestel in slave mode staat

- Druk op de MENU toets tot **Shnd** wordt weergegeven op de display.
- Druk op de ENTER toets, de show welke in gebruik is begint te knipperen op de display.
- Gebruik de DOWN en UP toetsen om **Sh 0** (random mode), **Sh 1** tot **Sh 8**, of **OFF** (Auto Fade Mode) te selecteren.
- Wanneer de gewenste show knippert op de display moet u enkel nog op de ENTER toets drukken om uw keuze te bevestigen. (indien u dit niet doet wordt er na 8 seconden terug overgegaan naar het hoofdmenu zonder de veranderingen op te slagen)

U kunt ook terugkeren naar het hoofdmenu zonder iets te wijzigen door terug op de MENU toets te drukken.

- Wanneer u op de ENTER drukt om uw keuze te bevestigen zal ere en knipperende **SP** verschijnen op de display. Hier moet u de chase speed instellen met een waarde gelegen tussen 1 en 8. Druk terug op de ENTER toets om uw keuze te bevestigen, anders keert het toestel na ongeveer 8 seconden terug naar het hoofdmenu zonder de snelheid van de nieuwe show te wijzigen.

blnd Blackout Mode

Blackout mode: wanneer er geen DMX-sigitaal gedetecteerd wordt gaat het toestel in blackout.

No blackout mode: wanneer er geen DMX-sigitaal gedetecteerd wordt schakelt het toestel automatisch over naar master mode.

Deze optie is niet beschikbaar indien het toestel in slave mode staat

- Druk op de MENU toets tot **blnd** wordt weergegeven op de display.
- Druk op de ENTER toets, de gebruikte functie begint te knipperen op de display.
- Gebruik de DOWN en UP toetsen om **YES** (blackout) of **no** (no blackout) te kiezen.
- Druk daarna op de ENTER toets om uw keuze te bevestigen. (indien u dit niet doet wordt er na 8 seconden terug overgegaan naar het hoofdmenu zonder de veranderingen op te slagen)

U kunt ook terugkeren naar het hoofdmenu zonder iets te wijzigen door terug op de MENU toets te drukken

LED Led Display

Display on: display is steeds aan.

Display off: display is uit wanneer deze niet wordt gebruikt.

- Druk op de MENU toets tot **LED** op de display wordt weergegeven.
- Druk op de ENTER toets, de display begint te knipperen.
- Gebruik de DOWN en UP toetsen om **on** (display steeds aan) of **OFF** (display uit wanneer niet in gebruik) te selecteren.
- Druk daarna op de ENTER toets om uw keuze te bevestigen. (indien u dit niet doet wordt er na 8 seconden terug overgegaan naar het hoofdmenu zonder de veranderingen op te slagen)

U kunt ook terugkeren naar het hoofdmenu zonder iets te wijzigen door terug op de MENU toets te drukken.

Color Color Mode

Color 1 tot Color 9 kunnen worden gebruikt om één van de voorgeprogrammeerde kleuren te kiezen.

RGB kan worden gebruikt om uw eigen kleur samen te stellen door RGB mixing

- Druk op de MENU toets tot **Color** wordt weergegeven op de display.
- Druk op de ENTER toets, de display begint te knipperen.
- Gebruik de DOWN en UP toetsen om **Color 1** tot **Color 9**, or **RGB** te selecteren
- Druk daarna op de ENTER toets om uw keuze te bevestigen. (indien u dit niet doet wordt er na 8 seconden terug overgegaan naar het hoofdmenu zonder de veranderingen op te slagen)

U kunt ook terugkeren naar het hoofdmenu zonder iets te wijzigen door terug op de MENU toets te drukken.

- Wanneer u de manuele modus **RGB** gekozen heeft, dan kunt u uw eigen kleur samenstellen via RGB mixing. Geef een waarde in tussen 0 en 255 voor elk van de RGB kleuren door middel van de "up-down" toetsen. Gebruik de ENTER toets om naar de volgende RGB kleur over te gaan.

DISP Display Inversion

- Druk op de MENU toets tot **DISP** knippert op de display. (normal display)
- Druk op de ENTER toets om over te schakelen op **DISP** (display inversie), de handeling wordt automatisch na 8 seconden opgeslagen. Of druk nogmaals op de ENTER toets om naar **DISP** (normale display) terug te schakelen.
Druk op de MENU toets om naar de functies terug te keren.

ELEKTRISCHE INSTALLATIE

Belangrijk: De elektrische installatie zou alleen uitgevoerd moeten worden door een bekwaam persoon volgens de voorschriften voor elektrische en mechanische veiligheid in uw land.

Electrische installatie van 1 standalone toestel:

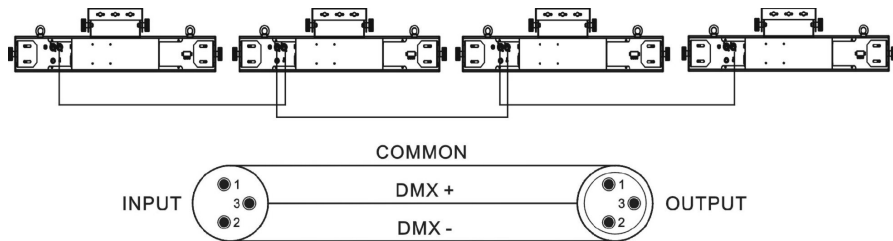
- Verbind gewoon de stroomkabel met het net. Het toestel start onmiddellijk op in stand-alone mode.
Opmerking1: u kunt een CA-8 remote controller aansluiten indien u een betere controle over het toestel wilt hebben. Zie "how to operate the unit".
Opmerking2: indien er niets gebeurt moet u controleren of het toestel wel degelijk in master mode staat. (zie vorig hoofdstuk)

Electrische installatie van 2 of meer toestellen in master/slave:

- Verbind de toestellen met mekaar door middel van symmetrische microfoonkabels van goede kwaliteit. Zet het eerste toestel in Master Mode, alle andere toestellen moeten in slave mode staan . Zie vorig hoofdstuk voor meer informatie.
- Controleer of alle toestellen op het stroomnet zijn aangesloten.
- Klaar!
Opmerking: u kunt een CA-8 remote controller op het 'Master' toestel aansluiten indien u een betere controle over het toestel wenst te hebben.

DMX AANSLUITINGEN

- Het DMX-protocol is een breed gebruikt hogesnelheidssignaal om lichtuitrustingen te bedienen. U moet uw DMX bediening en alle units met een gebalanceerde kabel van goede kwaliteit doorverbinden.
- Zowel de XLR-3pin als XLR-5pin connector worden gebruikt, echter de XLR-3pin is populairder want deze kabels zijn compatible met gebalanceerde audio kabels.
Pin layout XLR-3pin: Pin1 = GND ~ Pin2 = Negatief signaal (-) ~ Pin3 = Positief signaal (+)
Pin layout XLR-5pin: Pin1 = GND ~ Pin2 = Negatief signaal (-) ~ Pin3 = Positief signaal (+) ~ Pins4+5 niet in gebruik.
- Om vreemd gedrag van de lichteffecten, veroorzaakt door storing, te voorkomen, moet u een afsluitweerstand van 90Ω tot 120Ω aan het eind van de keten gebruiken. Gebruik nooit een Y-splitkabel, dit zal eenvoudig niet werken!
- Weet zeker dat alle units op het lichtnet zijn aangesloten.
- Elk lichteffect in de keten heeft een eigen DMX startadres nodig zodat het weet welke commando's van de bediening het moet ontcijferen.

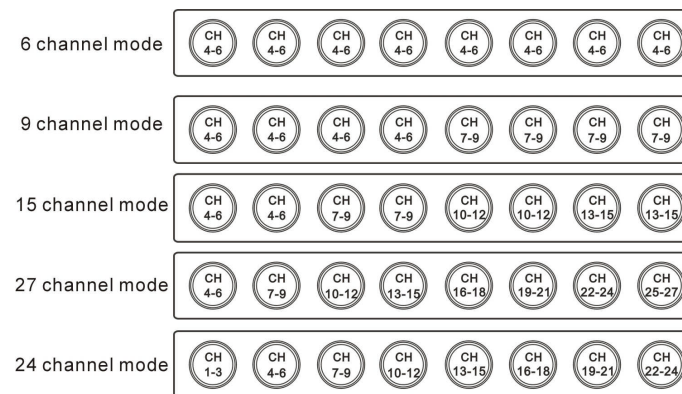


DMX-CONFIGURATIE VAN DE LED COLOR BANK:

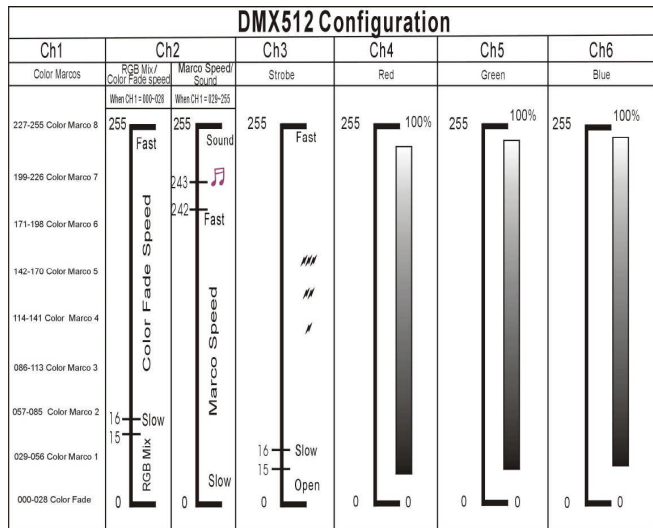
U kunt de Led Color Bank aansturen via 6, 9, 15, 27 of 24 DMX kanalen

DMX CONFIGURATION					
6-CH MODE	9-CH MODE	15-CH MODE	27-CH MODE	24-CH MODE	FUNCTIONS
1	1	1	1		COLOR MACROS
2	2	2	2		MIX-COLOR / COLOR FADE SPEED MACRO SPEED / SOUND
3	3	3	3		STROBE
4	4	4	4	1	RED
5	5	5	5	2	GREEN
6	6	6	6	3	BLUE
	7	7	7	4	RED
	8	8	8	5	GREEN
	9	9	9	6	BLUE
	10	10	10	7	RED
	11	11	11	8	GREEN
	12	12	12	9	BLUE
	13	13	13	10	RED
	14	14	14	11	GREEN
	15	15	15	12	BLUE
		16	16	13	RED
		17	17	14	GREEN
		18	18	15	BLUE
		19	19	16	RED
		20	20	17	GREEN
		21	21	18	BLUE
		22	22	19	RED
		23	23	20	GREEN
		24	24	21	BLUE
		25	25	22	RED
		26	26	23	GREEN
		27	27	24	BLUE

De Led Color Bank kan onderverdeeld worden in maximum 8 onafhankelijke zones, naargelang de gekozen kanaalmodus:



DMX Configuratie in 6 kanaalmodus:



BEDIENING VAN HET TOESTEL

U KUNT HET TOESTEL OP 3 MANIEREN GEBRUIKEN:

- o Via de master/slave functie en ingebouwde programma's
- o Met de CA-8 easy controller
- o Met een universele DMX controller

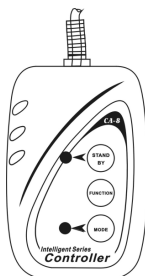
VIA DE MASTER/SLAVE FUNCTIE EN INGEBOUWDE PROGRAMMA'S:

selecteer deze functie indien u onmiddellijk wil van start gaan met een kant en klare show. Door de toestellen als master/slave met mekaar te verbinden zal het eerste toestel alle andere toestellen controleren en bekomt u alzo een automatische, gesynchroniseerde lichtshow op het ritme van de muziek. Op de DMX ingang van het 'master' toestel mag niets aangesloten worden, de master led is continu aan en de Sound led knippert op het ritme van de muziek.

Belangrijk! Deze functie werkt alleen wanneer de black-out mode in het menu van de 'master' uit staat (OFF), anders zal er niets gebeuren! Lees meer over deze optie in de paragraaf "hoe instellen".

- **MASTER beschikt over ingebouwde shows:** u kunt **5h 0** (random mode), **5h 1** (show 1) tot **5h 8** (show 8), of **2ef2** (automatic fade mode) onmiddellijk in het menu van de master selecteren.

MET DE HANDCONTROLLER:



Wanneer u in master/slave werkt raden wij u ten sterkste aan de CA-8 handcontroller te gebruiken. Sluit deze kleine controller aan op de 1/4" jack ingang van het 'master' toestel. U kunt nu de volgende functies uitvoeren:

Function	Strobe	9 Kleuren	9 Show modi	Sneheid
Blackout	Om de black-out functie te activeren			
Mode	Sound (LED uit)	Latch (LED aan)	Chase (LED knippert)	Speed (LED knippert snel)

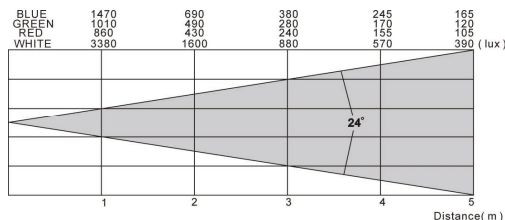
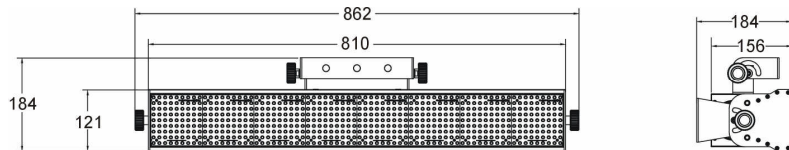
ONDERHOUD

- Overtuig U ervan dat het gebied onder de installatieplaats vrij is van ongewenste personen tijdens het onderhoud.
- Zet het toestel uit, trek de netstekker uit het stopcontact en wacht tot het toestel is afgekoeld.
- **Bij inspectie moeten de volgende punten worden gecontroleerd.**
- Alle schroeven gebruikt om het toestel te installeren en al zijn onderdelen moeten goed vastgedraaid zijn en mogen niet verroest zijn.
- Behuizingen, vastzetstukken, installeringplaatsen (plafond, spanten, schokbrekers) mogen absoluut niet verwrongen zijn.
- Wanneer een optische lens klaarblijkelijk beschadigd is door barsten of diepe krassen, dan moet deze vervangen worden.
- De stroomkabels moeten in perfecte staat zijn en behoren vervangen te worden, wanneer er zelfs maar een klein probleem ontdekt werd.
- Om het toestel tegen oververhitting te beschermen, behoren de ventilatoren (als die er zijn) en de ventilatieopeningen elke maand gereinigd te worden.
- De binnenkant van het toestel behoort elk jaar gereinigd te worden met een stofzuiger of een luchtspuit.
- Het schoonmaken van inwendige en uitwendige optische lenzen en/of spiegels moet regelmatig worden uitgevoerd om een zo goed mogelijke lichtuitstraling te verkrijgen. Hoe vaak ze schoon moeten worden gemaakt hangt af van de omgeving waar het toestel wordt gebruikt: een klamme, rokerige of bijzonder vuile omgeving kan een grotere opeenhoping van vuil veroorzaken op de optische uitrusting.
 - Reinig met een zachte doek en gebruik normale glasreinigende producten.
 - Droog de onderdelen altijd zorgvuldig af,
 - Reinig de uitwendige optische uitrusting minstens één keer per maand.
 - Reinig de inwendige optische uitrusting minstens om de 3 maanden.

Let op: We bevelen sterk aan dat het schoonmaken van de binnenkant wordt uitgevoerd door vakbekwaampersoneel!!

TECHNISCHE KENMERKEN

Netvoeding:	wisselstroom 230 V, 50 Hz
Stroomverbruik:	105 Watt
Zekering:	250 V/ T2A
Geluidscontrole:	Inwendige microfoon
DMX verbinding:	3 pins XLR mannelijk/ vrouwelijk
DMX kanalen:	6, 9, 15, 27, 24 kanalen
Leds:	Rood: 208, Groen: 208, Bauw: 230 leds
Afmetingen:	810 x 121 x 156 mm
Gewicht:	8,2 kg



Elke inlichting kan veranderen zonder waarschuwing vooraf

U kan de laatste versie van deze handleiding downloaden via Onze website: www.briteq-lighting.com

BEDIENUNGSANLEITUNG

Vielen Dank, dass Sie sich für den Erwerb dieses BRITEQ®-Produkt entschieden haben. Bitte lesen Sie diese Bedienungsanleitung sorgfältig vor der Inbetriebnahme durch, zur vollen Ausschöpfung der Möglichkeiten, die dieses Gerät bietet, sowie zu Ihrer eigenen Sicherheit.

EIGENSCHAFTEN

Das Gerät ist funktentstört und erfüllt die Anforderungen der europäischen und nationalen Bestimmungen. Entsprechende Dokumentation liegt beim Hersteller vor.

- Das Gerät ist zur Erzeugung von dekorativem Licht sowie zur Verwendung in Lightshows bestimmt.
- Leistungsstarker LED-Scheinwerfer, geeignet für verschiedene Anwendungen, z.B. Bühne, Theater, TV, Discos und Clubs, usw....
- Bringt fantastische Effekte, wenn er hinter Glaswänden, -decken oder -böden angebracht wird.
- Verwendet 648 Hewlett Packard / Agilent Hochleistungs-LEDs, verteilt über 8 unabhängige Bereiche.
- Verschiedene integrierte DMX-, Mikrofon- oder mit einfacher Handsteuerung gesteuerte Chase schaffen atemberaubende Effekte im Standalone-Betrieb.
- Optimal geeignet für TV-Studios aufgrund der 400Hz Dimmer-Elektronik!
- Über 16 Millionen Farben können mittels DMX kreiert werden!
- Sanfte Farbübergänge (mit DMX und Handsteuerung)
- Extrem schneller Strobe mit gleich welcher gewünschten Farbe
- Verschiedene DMX-Modi:
 - 6-Kanalmodus: alle 8 Bereiche reagieren identisch
 - 9-Kanalmodus: die LED Color Bank ist in 2 Bereiche unterteilt
 - 15-Kanalmodus: die LED Color Bank ist in 4 Bereiche unterteilt
 - 27-Kanalmodus: die LED Color Bank ist in 8 Bereiche unterteilt

VOR DER ERSTBENUTZUNG

- Vor der Erstbenutzung bitte das Gerät zuerst auf Transportschäden überprüfen. Sollte das Gerät einen Schaden aufweisen, Gerät bitte nicht benutzen, sondern setzen Sie sich unverzüglich mit Ihrem Händler in Verbindung.
- **Wichtiger Hinweis:** Das Gerät hat das Werk unbeschädigt und gut verpackt verlassen. Es ist wichtig, dass der Benutzer sich streng an die Sicherheitshinweise und Warnungen in der Bedienungsanleitung hält. Schäden durch unsachgemäße Handhabung sind von der Garantie ausgeschlossen. Der Händler übernimmt keine Verantwortung für Schäden, die durch Nichtbeachtung der Bedienungsanleitung hervorgerufen wurden.
- Die Bedienungsanleitung zum zukünftigen Nachschlagen bitte aufbewahren. Bei Verkauf oder sonstiger Weitergabe des Geräts bitte Bedienungsanleitung beifügen.

Packungsinhalt prüfen:

Bitte überprüfen Sie, dass die Packung folgende Einzelteile enthält:

- Bedienungsanleitung
- Led Color Bank
- Netzkabel

SICHERHEITSHINWEISE



CAUTION

RISK OF ELECTRIC SHOCK
DO NOT OPEN

ACHTUNG: Um sich nicht der Gefahr eines elektrischen Schlags auszusetzen, entfernen Sie keines der Gehäuseteile. Im Geräteinneren befinden sich keine vom Benutzer reparierbaren Teile. Überlassen Sie Reparaturen dem qualifizierten Kundendienst.



Das Blitzsymbol im Dreieck weist den Benutzer darauf hin, dass eine Berührungsgefahr mit nicht isolierten Teilen im Geräteinneren, die eine gefährliche Spannung führen, besteht. Die Spannung ist so hoch, dass hier die Gefahr eines elektrischen Schlags besteht.



Das Ausrufezeichen im Dreieck weist den Benutzer auf wichtige Bedienungs- und Wartungshinweise in den Dokumenten hin, die dem Gerät beiliegen.



Dieses Symbol bedeutet: Nur innerhalb von Räumen verwenden.



Dieses Symbol bedeutet: Achtung! Bedienungsanleitung lesen!

Dieses Symbol gibt an: der minimale Abstand von beleuchteten Gegenständen. Der minimale Abstand zwischen Projektor und dem belichteten Gegenstand muss mehr als 0,5 Meter betragen.

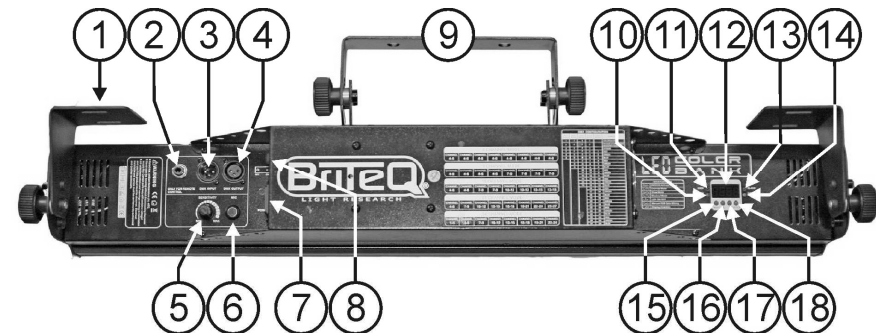
- Aus Umweltschutzgründen Verpackung bitte wiederverwenden oder richtig trennen.
- Ein neues Gerät kann Geruch oder Rauch entwickeln. Das ist völlig normal und legt sich nach einigen Minuten.
- Zur Vermeidung von Stromschlag oder Feuer, Gerät bitte nicht Regen oder Feuchtigkeit aussetzen.
- Zur Vermeidung von Kondensation im Inneren des Geräts bitte nach dem Transport in eine warme Umgebung einige Zeit zum Temperatúrausgleich ausgeschaltet stehen lassen. Kondensation kann zu Leistungsverlust des Geräts oder gar Beschädigung führen.
- Gerät nicht im Freien und in feuchten Räumen und Umgebungen verwenden.
- Keine Metallgegenstände oder Flüssigkeiten ins Innere des Geräts gelangen lassen, Kurzschluss oder Fehlfunktion können die Folge sein. Falls es doch, einmal vorkommen sollte, bitte sofort Netzstecker ziehen und vom Stromkreis trennen.
- Gerät nur in gut belüfteter Position und entfernt von entflammaren Materialien oder Flüssigkeiten betreiben.
- Ventilationsöffnungen nicht abdecken, da Überhitzungsgefahr!
- Nicht in staubiger Umgebung verwenden und regelmäßig reinigen.
- Für Kinder unerreichbar aufbewahren.
- Unerfahrene Personen sollen das Gerät nicht bedienen.
- Umgebungstemperatur darf 40°C nicht überschreiten.
- Sicherstellen, dass sich während des Auf- und Abbaus keine unbefugten Personen unterhalb des Geräts befinden.
- Stets Netzstecker ziehen, wenn Gerät für längeren Zeitraum nicht genutzt oder es gewartet wird.
- Elektrische Anschlüsse nur durch qualifiziertes Fachpersonal überprüfen lassen.
- Sicherstellen, dass Netzspannung mit Geräteaufkleber übereinstimmt.
- Gerät nicht mit beschädigtem Netzkabel betreiben. Ist die Zugangsleitung beschädigt, muss diese durch den Hersteller, seinen Vertrieber oder durch eine qualifizierte Person ersetzt werden.
- Netzkabel nicht mit anderen Kabeln in Berührung kommen lassen!
- Zur Einhaltung der Sicherheitsbestimmungen muss das Gerät geerdet sein.
- Gerät nicht an einen Dimmer anschließen.
- Ausschließlich vorschriftsmäßige Kabel zur Installation verwenden.
- Gerät nicht öffnen. Abgesehen vom der Sicherung sind keine zu wartenden Bauteile im Gerät enthalten.
- Sicherung niemals reparieren oder überbrücken, sondern immer durch gleichartige Sicherung ersetzen!
- Bei Fehlfunktion Gerät nicht benutzen und sich mit Händler in Verbindung setzen.
- Bei sichtbaren Beschädigungen müssen Gehäuse und Optik ersetzt werden.
- Bei Transport bitte Originalverpackung verwenden, um Schäden am Gerät zu vermeiden.
- Aus Sicherheitsgründen dürfen an dem Gerät keine unbefugten Veränderungen vorgenommen werden.

Wichtiger Hinweis: Nicht direkt in die Lichtquelle blicken! Gerät nicht verwenden, wenn sich Personen im Raum befinden, die unter Epilepsie leiden.

ÜBERKOPF-MONTAGE

- **Wichtig:** Montage ausschließlich durch qualifiziertes Fachpersonal durchführen lassen. Unvorschriftsmäßiger Einbau kann erhebliche Verletzungen und/oder Schäden verursachen. Überkopf-Montage verlangt entsprechende Erfahrung! Belastungsgrenzen müssen beachtet werden, geeignetes Installationsmaterial muss verwendet werden und das installierte Gerät muss in regelmäßigen Abständen überprüft werden.
- Sicherstellen, dass sich keine unbefugten Personen unterhalb des Geräts befinden, während es installiert oder gewartet wird.
- Gerät in gut belüfteter Position installieren, weit entfernt von entflammaren Materialien und/oder Flüssigkeiten. Einen Seitenabstand von **mindestens 50cm** einhalten.
- Gerät außerhalb der Reichweite von Personen und nicht in niedrigen Durchgängen oder in der Nähe von Sitzgelegenheiten installieren.
- Vor Montage sicherstellen, dass die gewählte Position wenigstens das 10-fache Gerätegewicht aufnehmen kann.
- Zur Aufhängung stets geeignetes Befestigungsmaterial verwenden, das das 12-fache Gerätegewicht aushalten kann. Eine zweite Sicherungsaufhängung muss angebracht werden, die ein Absacken des Geräts von mehr als 20 cm verhindert, sollte die Befestigung brechen.
- Gerät gut befestigen. Eine freischwingende Aufhängung ist gefährlich und sollte auf gar keinen Fall in Betracht gezogen werden!
- Ventilationsöffnungen nicht abdecken, da Überhitzungsgefahr!
- Betreiber muss sicherstellen, dass die sicherheitsrelevanten und technischen Installationen vor Erstbetrieb fachmännisch vorgenommen worden sind.
- Installationen sollten jährlich durch qualifiziertes Fachpersonal inspiziert werden, um jederzeit einen sicheren Betrieb zu gewährleisten.

BEDIENUNG DES GERÄTS:



1. Wandhalter
2. ¼ " Buchse zum Anschluss eines optionalen CA-8-Controllers
3. DMX-Eingangsstecker
4. DMX-Ausgangsstecker
5. Empfindlichkeit: um die Empfindlichkeit des eingebauten Mikrofons zu regeln
6. Eingebautes Mikrophon
7. Netzanschluss: Mit Hilfe des IEC Steckers und eingebauter Sicherung, verbinden sie hier den Netzstecker.
8. Netzschalter: zum An-/Ausschalten der Color Bank
9. Befestigungsbügel
10. MASTER Led: leuchtet auf, wenn das Gerät als Master geschaltet ist
11. DMX Led: leuchtet auf, wenn das Gerät ein DMX-Signal erhält
12. Display zeigt die verschiedenen Menüs und die gewählten Funktionen an
13. SLAVE Led: leuchtet auf, wenn das Gerät im Slave-Modus ist
14. SOUND Led: blinkt im Takt der Musik wenn das Gerät im Audio-Modus ist

15. **MENU-Knopf:** zum Wählen der verschiedenen Menüpunkte
 16. **DOWN-Knopf:** zum Zurückgehen im Menü und zum Mindern der auf dem Display angezeigten Werte
 17. **UP-Knopf:** zum Vorwärtsgehen im Menü und zum Erhöhen der auf dem Display angezeigten Werte
 18. **ENTER-Knopf:** zum Bestätigen Ihrer Wahl

EINSTELLUNGSANLEITUNG:

HAUPTMENÜ:

- Um eine der Menüoptionen auszuwählen, drücken Sie den **MENU-Knopf** so oft bis die gewünschte Option auf dem Display erscheint.
- Auswahl der Funktion mit **EINGABE (ENTER)**, das Display blinkt.
- Mit **ABWÄRTS** und **AUFWÄRTS** wählen Sie die gewünschte Menüoption.
- Wenn die gewünschte Menüoption ausgewählt ist, mit **EINGABE (ENTER)** bestätigen. Nach 8 Sekunden kehrt das Display automatisch ohne Veränderung zu den Hauptfunktionen zurück. Zurück zu den Funktionen ohne Veränderung mit **MENÜ-Taste**. Im Nachfolgenden ist die Menüstruktur dargestellt.

Addr DMX512 Einstellung Adresse

Zum Einstellen der Startadresse in DMX Einstellung.

- MENÜ-Taste drücken bis **Addr** im Display angezeigt wird.
- EINGABE (ENTER) drücken und das Display beginnt zu blinken.
- Mit **ABWÄRTS** und **AUFWÄRTS** die DMX512 Adresse verändern.
- Sobald die richtige Adresse im Display angezeigt wird, mit EINGABE (ENTER) speichern (anderenfalls nach 8 Sekunden Rückkehr zu den Hauptfunktionen ohne Änderung).
Zur Rückkehr zu den Funktionen ohne Veränderung **MENÜ-Taste** erneut drücken.

Chnd Channel Mode

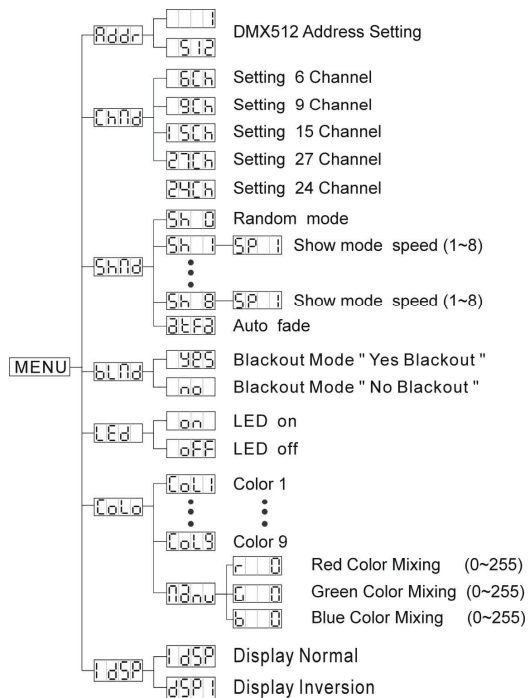
- Drücken Sie MENU, bis **Chnd** im Display angezeigt wird.
- Drücken Sie ENTER, damit beginnt das Display zu blinken.
- Benutzen Sie den DOWN- und UP-Knopf um den 6-Kanal, 9-Kanal, 15-Kanal, 27-Kanal oder 24-Kanal Modus zu wählen.
- Nach der Modusauswahl drücken Sie ENTER zum Einstellen (oder zur automatischen Rückkehr zu den Hauptfunktionen, wenn keine Eingabe innerhalb 8 Sekunden).

Rückkehr zu den Funktionen ohne Veränderung mit erneutem Tastendruck auf MENU

Shnd Showbetrieb

Zum Auswählen eines der vorprogrammierten Shows bei Benutzung im Standalone oder Master/Slave-Modus. Diese Menüoption ist nicht verfügbar, wenn das Gerät im Slave-Modus eingestellt ist

- MENÜ-Taste drücken bis **Shnd** im Display erscheint.
- Dann EINGABE (ENTER) drücken, die aktuelle Show beginnt auf dem Display zu blinken.



- Benutzen Sie die DOWN- und UP-Knöpfe um **5h 0** (Random (Zufalls-) Modus), **5h 1** bis **5h 8**, oder **8EF2** (Auto Fade Modus) zu wählen.
- Wenn die richtige Show auf dem Display blinkt, drücken Sie den ENTER-Knopf um sie abzuspeichern. (anderenfalls nach 8 Sekunden Rückkehr zu den Hauptfunktionen ohne Änderung).
Zur Rückkehr zu den Funktionen ohne Veränderung **MENÜ-Taste** erneut drücken.
- Wenn Sie mit der ENTER-Taste bestätigt haben, erscheint ein blinkendes **SP**. Hier müssen Sie eine Chase-Geschwindigkeit zwischen 1 und 8 wählen. Drücken Sie wieder den ENTER-Knopf, um Ihre Auswahl zu bestätigen, ansonsten wird das Gerät nach 8 Sekunden wieder zum Hauptmenü zurückkehren, ohne die Geschwindigkeit der neuen Show zu ändern.

BLND Blackout

Blackout: Wird kein DMX-Signal erkannt, geht das Gerät in Blackout.

Kein Blackout: Wird kein DMX-Signal erkannt, schaltet das Gerät automatisch auf Master um.

Diese Menüoption ist nicht verfügbar, wenn das Gerät im Slave-Modus eingestellt ist

- MENÜ-Taste drücken bis **BLND** im Display erscheint.
- Dann EINGABE (ENTER) drücken, die aktuelle Auswahl beginnt auf dem Display zu blinken.
- Benutzen Sie den DOWN- und UP-Knopf um **YES** (Blackout) oder **NO** (kein Blackout) Modus zu wählen.
- Sobald die richtige Adresse im Display angezeigt wird, mit EINGABE (ENTER) speichern (anderenfalls nach 8 Sekunden Rückkehr zu den Hauptfunktionen ohne Änderung).
Zur Rückkehr zu den Funktionen ohne Veränderung **MENÜ-Taste** erneut drücken.

LED LED Display

Display an: Display ist ständig eingeschaltet.

Display aus: Display ist ausgeschaltet, wenn nicht in Benutzung.

- MENÜ-Taste drücken bis **LED** im Display erscheint.
- Dann EINGABE (ENTER) drücken und Display beginnt zu blinken.
- Mit **ABWÄRTS** und **AUFWÄRTS** **on** (Display ständig eingeschaltet) oder **OFF** (Display ausgeschaltet, wenn nicht in Benutzung) auswählen.
- Sobald die richtige Adresse im Display angezeigt wird, mit EINGABE (ENTER) speichern (anderenfalls nach 8 Sekunden Rückkehr zu den Hauptfunktionen ohne Änderung).
Zur Rückkehr zu den Funktionen ohne Veränderung **MENÜ-Taste** erneut drücken.

Colo Farbmodus

Col 1 bis Col 9 Um eine der vorprogrammierten Farben auszuwählen.

Hand Um manuell Ihre eigene Farbe zu kreieren

- MENÜ-Taste drücken bis **Colo** im Display erscheint.
- Dann EINGABE (ENTER) drücken und Display beginnt zu blinken.
- Benutzen Sie die DOWN- und UP-Knöpfe, um **Col 1** bis **Col 9** oder **Hand** zu wählen
- Sobald die richtige Farbe auf dem Display erscheint, drücken Sie die ENTER-Taste um sie abzuspeichern. (oder automatische Rückkehr zu den Hauptfunktionen ohne eine Änderung nach 8 Sekunden)
Zur Rückkehr zu den Funktionen ohne Veränderung **MENÜ-Taste** erneut drücken.
- Wenn Sie den Handmodus **Hand** gewählt haben, können Sie Ihre eigene Farbe kreieren, indem Sie einen Wert zwischen 0 und 255 für jede der RGB-Farben eingeben. Benutzen Sie die Up-Down-Knöpfe, um den Wert zu ändern. Drücken Sie auf die ENTER-Taste, um zur nächsten RGB-Farbe zu wechseln.

Disp Display Umkehrung

- MENÜ-Taste drücken bis **Disp** im Display blinkt (Normal Display).
- Mit EINGABE (ENTER) zu Betriebsart **Disp** (Display Umkehrung) umschalten, die Einstellung wird nach 8 Sekunden automatisch gespeichert oder EINGABE (ENTER) erneut drücken und so zu **Disp** (Normal Display) zurückkehren.
Zur Rückkehr zu den Funktionen **MENÜ-Taste** drücken.

ELEKTRISCHE INSTALLATION + ADRESSIERUNG

! Wichtig: Die Elektroinstallation sollte nur von Fachleuten in Übereinstimmung mit den in Ihrem Land geltenden Bestimmungen für elektrische und mechanische Sicherheit ausgeführt werden.

Elektrische Installation von einem allein stehenden Gerät:

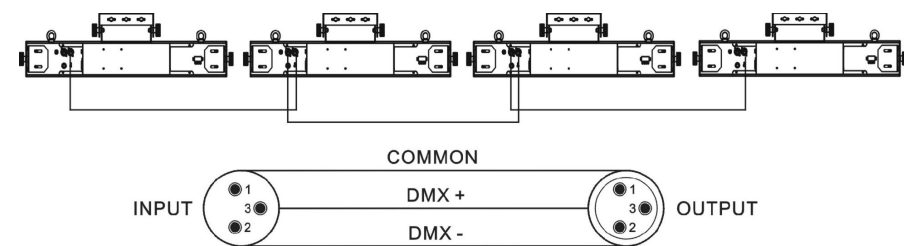
- Stecken Sie einfach das Netzkabel ein. Die Gerät fängt sofort an im allein stehenden Modus zu arbeiten
- Anmerkung 1:** Sie können einen Fernsteuerungscontroller CA-8 an das Gerät anschließen, wenn Sie zusätzliche Steuerungsfunktionen haben möchten. In Abschnitt „Bedienen des Geräts“ erfahren Sie mehr darüber.
- Anmerkung 2:** Sollte kein Ausgang vorhanden sein, stellen Sie sicher, dass das Gerät im Master-Modus eingestellt ist (siehe vorangehendes Kapitel)

Elektrische Installation für zwei oder mehrere Geräte im Master/Slave-Modus:

- Schließen Sie alle Geräte mit hochwertig abgeschirmten Mikrofonkabeln an. Setzen Sie das erste Gerät der Kette in den Master-Modus, die übrigen müssen in den Slave-Modus gesetzt werden (SL1 oder SL2). Siehe vorangehendes Kapitel für weitere Informationen.
- Vergewissern Sie sich, dass alle Geräte an die Netzleitung angeschlossen wurden.
- Fertig!
- Anmerkung:** Sie können einen Fernsteuerungscontroller CA-8 an das Gerät anschließen, wenn Sie zusätzliche Steuerungsfunktionen haben möchten.

Elektroinstallation im DMX-Modus:

- Das DMX-Protokoll ist ein gängiges Hochgeschwindigkeitssignal, um intelligente Lichtsysteme zu steuern. Sie müssen Ihren DMX-Controller und alle angeschlossenen Geräte mit einem hochwertigen symmetrischen Kabel hintereinander schalten (daisy chain).
- Es werden sowohl XLR-3pin als auch XLR-5pin-Stecker benutzt, allerdings ist der XLR-3pin gängiger, da diese Kabel mit symmetrischen Audiokabel kompatibel sind.
Stiftanordnung XLR-3pin: Pin1 = GND ~ Pin2 = Negatives Signal (-) ~ Pin3 = Positives Signal (+)
Stiftanordnung XLR-5pin: Pin1 = GND ~ Pin2 = Negatives Signal (-) ~ Pin3 = Positives Signal (+) ~ Pins4+5 nicht benutzt.
- Um durch Interferenzen verursachte Fehlfunktionen der Lichteffekte zu vermeiden, müssen Sie einen 90Ω bis 120Ω Abschlusswiderstand am Ende der Kette einsetzen. Verwenden Sie niemals Y-Splitter Kabel, das funktioniert nicht!
- Stellen Sie sicher, dass alle Geräte an das Netz angeschlossen sind.

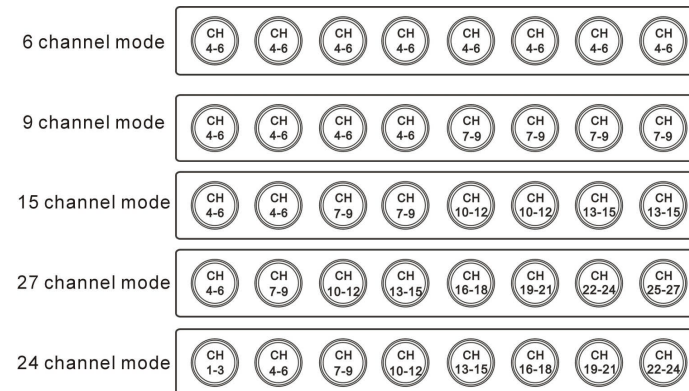


DMX-KONFIGURATION DER LED COLOR BANK:

Sie können die Led Color Bank über 6, 9, 15, 27 oder 24 DMX-Kanäle steuern

DMX CONFIGURATION					
6-CH MODE	9-CH MODE	15-CH MODE	27-CH MODE	24-CH MODE	FUNCTIONS
1	1	1	1		COLOR MACROS
2	2	2	2		MIX-COLOR / COLOR FADE SPEED MACRO SPEED / SOUND
3	3	3	3		STROBE
4	4	4	4	1	RED
5	5	5	5	2	GREEN
6	6	6	6	3	BLUE
	7	7	7	4	RED
	8	8	8	5	GREEN
	9	9	9	6	BLUE
	10	10	10	7	RED
	11	11	11	8	GREEN
	12	12	12	9	BLUE
	13	13	13	10	RED
	14	14	14	11	GREEN
	15	15	15	12	BLUE
	16	16	16	13	RED
	17	17	17	14	GREEN
	18	18	18	15	BLUE
	19	19	19	16	RED
	20	20	20	17	GREEN
	21	21	21	18	BLUE
	22	22	22	19	RED
	23	23	23	20	GREEN
	24	24	24	21	BLUE
	25	25	25	22	RED
	26	26	26	23	GREEN
	27	27	27	24	BLUE

Die Led Color Bank kann in maximal 8 unabhängige Bereiche unterteilt werden, je nach gewähltem Kanalmodus:



DMX-Konfiguration im 6-Kanal-Modus:

DMX512 Configuration						
Ch1	Ch2		Ch3	Ch4	Ch5	Ch6
Color Marcos	RGB Mix / Color Fade Speed	Marco Speed / Sound	Strobe	Red	Green	Blue
	When CH1 = 100-23	When CH1 = 100-23				
227-255 Color Marco 8	255 Fast	255 Sound	255 Fast	255 100%	255 100%	255 100%
199-226 Color Marco 7	243	243				
171-198 Color Marco 6	242	242				
142-170 Color Marco 5						
114-141 Color Marco 4						
086-113 Color Marco 3						
057-085 Color Marco 2	16 Slow		16 Slow			
029-056 Color Marco 1	15		15 Open			
000-028 Color Fade	0	0	0	0	0	0

BEDIENUNG DES GERÄTS

Sie können das Gerät auf 3 verschiedene Weisen bedienen:

- o Als Haupt-/Untergerät mit eingebauten, vorprogrammierten Funktionen
- o Mit Easy Controller
- o Mit Universal DMX Controller

• **ALS HAUPT-/UNTERGERÄT MIT EINGEBAUTEN, VORPROGRAMMIERTEN FUNKTIONEN:**

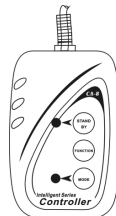
Auswahl dieser Funktion, falls Sie eine unverzügliche Show ablaufen lassen wollen. Durch Verbindung der Geräte in Haupt-/Untergeräte steuert das erste Gerät die nachfolgenden Geräte und erzeugt eine automatische, musikgesteuerte, synchronisierte Lightshow. Am DMX Eingang ist nichts angeschlossen, die Master-LED ist ständig an und die Sound-LED blinkt synchron mit der Musik.

Wichtiger Hinweis! Diese Funktion arbeitet nur, wenn Betriebsart Blackout im Menü des Hauptgeräts AUSgeschaltet ist, anderenfalls passiert gar nichts! Mehr dazu bitte im Kapitel „Einstellanleitung“ nachlesen.

- **MASTER hat mehrere vorprogrammierte Shows:** Sie können **5h0** (Random Modus), **5h1** (Show 1) bis **5h8** (Show 8) oder **2tfd** (Automatic Fade Modus) direkt im Menü des Masters auswählen.

• **MIT EASY CONTROLLER:**

Bei Verwendung in Betriebsart Haupt-/Untergerät empfehlen wir dringend die Verwendung unseres CA-8 „Easy Controller“. Diesen kleinen Controller einfach an der 1/4" Buchse des Hauptgeräts anschließen und dann folgende Funktionen steuern:



Black out	Black out für die gesamte Vorrichtung			
Funktion	Strobe	Wählt 9 Farben	Wählt Show-Modi	Geschwindigkeitseinstellung
	1. Synchron Strobe in weiß 2. Synchron Strobe regenbogenfarben 3. Synchron Sound in weiß 4. Synchron Sound Regenbogenfarben	28. Rot 29. Orange 30. Gelb 31. Grün 32. Zyan 33. Blau 34. Violett 35. Magenta 36. Weiß	1. Show 1 2. Show 2 3. Show 3 4. Show 4 5. Show 5 6. Show 6 7. Show 7 8. Show 8 9. Auto fade	7. Langsam 8. Mittelschnell 9. Schnell
Modus	Musik (LED AUS)	Latch (LED an)	Chase (LED blinken)	Geschwindigkeit (LED schnelles blinken)

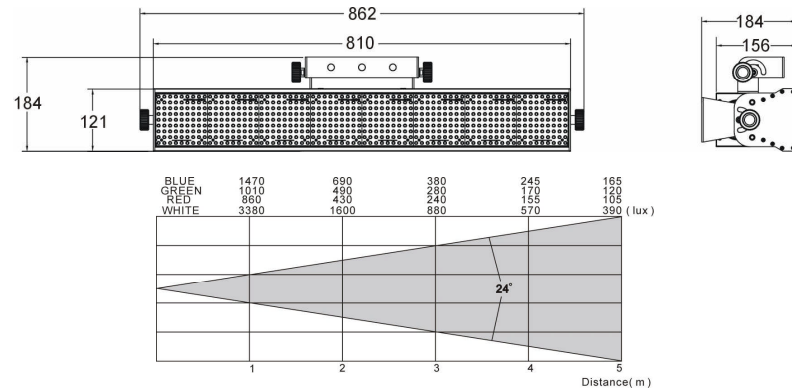
WARTUNG UND INSTANDHALTUNG

- Sicherstellen, dass sich keine unbefugten Personen unterhalb des Geräts befinden, während es gewartet wird.
- Gerät ausschalten, Netzstecker ziehen und warten, bis es sich abgekühlt hat.
- **Während der Wartung sind folgende Punkte ganz besonders zu beachten:**
- Sämtliche Schrauben zur Installation und Befestigung jeglicher Teile müssen fest angezogen und rostfrei sein.
- Gehäuse, Befestigungsmaterialien und Aufhängungen (Decke, Balken, abgehängte Decken) dürfen keine Anzeichen von Verformung aufweisen.
- Ist die Optik sichtbar beschädigt (Sprünge oder tiefe Kratzer), dann müssen die entsprechenden Teile ausgewechselt werden.
- Netzkabel muss stets in einwandfreiem Zustand sein und selbst bei kleinsten Beschädigungen erneuert werden.
- Zur Vermeidung von Überhitzung müssen die Ventilatoren (sofern vorhanden) und Lüftungsschlitze monatlich gereinigt werden.
- Gerät innen mindestens einmal pro Jahr mit Staubsauger oder Airjet reinigen.
- Reinigung der inneren und äußeren optischen Linsen und/oder Spiegel müssen in regelmäßigen Abständen zur Beibehaltung einer optimalen Lichtausbeute vorgenommen werden. Reinigungsintervalle hängen stark von der Umgebung ab: feuchte, verrauchte und besonders verschmutzte Umgebung führen zu größerer Verschmutzung auf den Linsen.
 - Mit weichem Tuch und gewöhnlichem Glasreiniger säubern.
 - Alle Teile stets gut abtrocknen.
 - Äußere Optik mindestens alle 30 Tage säubern.
 - Innere Optik mindestens alle 90 Tage säubern.

Achtung: Wir empfehlen dringend, Reinigung im Innern des Geräts nur von qualifiziertem Personal durchführen zu lassen!

TECHNISCHE EINZELHEITEN

Netzspannung:	≈ 230V, 50Hz
Sicherung:	250V / T2A
Klangregler:	Eingebautes Mikrofon
DMX Anschlüsse:	3-pin XLR Stecker/Buchse
Benutzte DMX-Kanäle:	6, 9, 15, 27, 24 Kanäle
Leds:	Rot: 208, Grün: 208, Blau: 230 Stück
Abmessungen:	810 x 121 x 156 mm
Gewicht:	8,2 kg



Technische Änderungen können auch ohne Vorankündigung vorgenommen werden!
 Sie können sich die neueste Version dieses Benutzerhandbuchs von unserer Website herunterladen:
www.briteq-lighting.com

MANUAL DE FUNCIONAMIENTO

Gracias por comprar este producto BriteQ®. Para sacar el máximo rendimiento a sus posibilidades y por su propia seguridad, lea estas instrucciones de funcionamiento detenidamente antes de comenzar a utilizar esta unidad.

CARACTERÍSTICAS

Esta unidad está a prueba de interferencias de radio. Este producto cumple los requisitos de las directrices nacionales y europeas actuales. Se ha establecido la conformidad y las instrucciones y documentos correspondientes han sido depositados por el fabricante.

- Este dispositivo ha sido diseñado para producir efectos luminosos decorativos y se utiliza en sistemas de espectáculos de luces.
- Potente proyector LED, diseñado para diferentes aplicaciones como: escenarios, teatro, TV, discos, clubs, etc...
- Crea efectos maravillosos cuando se instala detrás de paredes, techos y suelos de cristal.
- Emplea 648 LEDs Hewlett Packard / Agilent de alta potencia, divididos en 8 zonas independientes.
- Varias orugas incorporadas crean efectos asombrosos, la unidad se controla mediante DMX, un micrófono interno o simplemente mediante un controlador manual cuando se utiliza en modo independiente.
- Perfecto para su utilización en estudios de TV gracias a la electrónica de regulación de intensidad luminosa de 400Hz.
- Se pueden crear más de 16 millones de colores mediante DMX.
- Atenuaciones de color suaves (mediante DMX y controlador manual).
- Estroboscópica muy rápida con cualquier color que se desee.
- Diferentes modos DMX:
 - Modo de 6 canales: las 8 zonas reaccionan de forma idéntica.
 - Modo de 9 canales: el tablero de LEDs de color se divide en 2 zonas.
 - Modo de 15 canales: el tablero de LEDs de color se divide en 4 zonas.
 - Modo de 27 canales: el tablero de LEDs de color se divide en 8 zonas.

ANTES DE UTILIZAR EL APARATO

- Antes de comenzar a utilizar esta unidad, compruebe que no haya habido daños durante el transporte. Si observa algún daño, no utilice el dispositivo y consulte primero a su distribuidor.
- **Importante:** Este dispositivo ha salido de nuestras instalaciones en perfecto estado y bien embalado. Es absolutamente necesario que el usuario siga estrictamente estas instrucciones y advertencias de seguridad que aparecen en este manual de usuario. Cualquier daño producido por un manejo innecesario queda excluido de la garantía. El distribuidor no asumirá ninguna responsabilidad por cualquier defecto o problema que surja por no haber seguido el manual de usuario.
- Guarde este folleto en un lugar seguro para consultarlo en el futuro. Si vende este aparato más adelante, asegúrese de incluir este manual de usuario.

Compruebe el contenido:

Compruebe que la caja contiene los siguientes elementos:

- Instrucciones de funcionamiento
- Tablero de LEDs de color
- Cable de red

INSTRUCCIONES DE SEGURIDAD:



PRECAUCIÓN: Para reducir el riesgo de descarga eléctrica, no quite la cubierta superior. No existen piezas en el interior que pueda mantener o reparar el usuario. Asigne el mantenimiento y las reparaciones a personal cualificado.



El símbolo en forma de rayo con cabeza de flecha dentro de un triángulo equilátero se emplea para alertar sobre el uso o presencia de "voltaje peligroso" no aislado dentro de la carcasa del producto con la magnitud suficiente para constituir un riesgo de descarga eléctrica.



El signo de exclamación dentro del triángulo equilátero se emplea para alertar al usuario de la presencia de instrucciones de funcionamiento y mantenimiento importantes en el texto que acompaña a este aparato.



Este símbolo indica: usar sólo en el interior



Este símbolo indica: Leer las instrucciones



Este símbolo indica: La distancia mínima de objetos iluminados. La distancia mínima entre la emisión luminosa y la superficie iluminada tiene que ser más de 0,5 metros

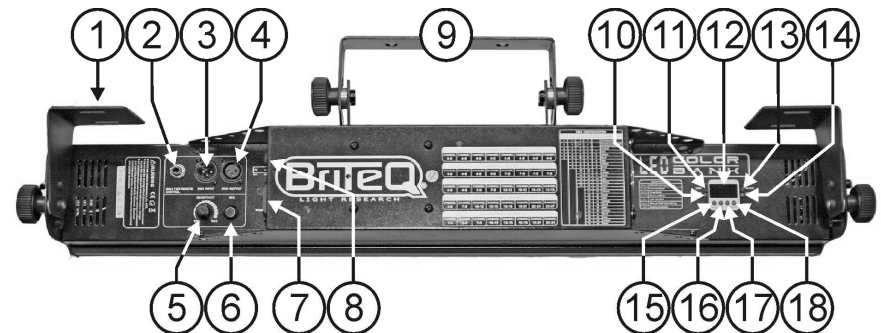
- Para proteger el medio ambiente, recicle el material de embalaje en la medida de lo posible.
- Un nuevo efecto luminoso provoca a veces humo y/u olor no deseados. Esto es normal y desaparece después de algunos minutos.
- Para evitar incendios o riesgos de descarga, no exponga la unidad a la lluvia o a la humedad.
- Para evitar que se forme condensación en el interior, deje que la unidad se adapte a la temperatura exterior cuando la lleve a una habitación cálida después del transporte. A veces la condensación impide que la unidad funcione a pleno rendimiento y puede incluso provocar daños.
- Esta unidad sólo se puede usar en el interior.
- No coloque objetos metálicos ni derrame líquidos dentro del reproductor de la unidad. Se pueden producir descargas eléctricas o fallos de funcionamiento. Si algún objeto extraño entra en la unidad, desconecte inmediatamente el suministro eléctrico.
- Coloque el aparato en un lugar bien ventilado, lejos de materiales y/o líquidos inflamables.
- No cubra ninguna abertura de ventilación puesto que podría producirse un sobrecalentamiento de la unidad.
- Evite el uso en ambientes con polvo y limpie la unidad regularmente.
- Mantenga la unidad lejos de los niños.
- Las personas sin experiencia no deben utilizar este aparato.
- La máxima temperatura ambiente para un funcionamiento seguro es de 40°C. No utilice la unidad a temperaturas ambiente superiores.
- Asegúrese de que debajo del área del lugar de instalación no hay personas durante el montaje, desmontaje o mantenimiento.
- Desenchufe siempre la unidad si no va a ser utilizada durante un largo periodo de tiempo o antes del mantenimiento.
- La instalación eléctrica sólo debe ser llevada a cabo por personal cualificado, de acuerdo con la regulaciones sobre seguridad eléctrica y mecánica de su país.
- Compruebe que el voltaje disponible no supera el que se indica en el panel trasero de la unidad.
- El cable de alimentación siempre debe estar en perfecto estado. Apague la unidad inmediatamente cuando observe daños o desperfectos en el cable de alimentación. Debe ser reemplazado por el fabricante, su agente de servicio o personas cualificadas para evitar cualquier peligro.
- ¡Nunca deje que el cable de alimentación entre en contacto con otros cables!
- Este aparato debe conectarse a tierra para cumplir con las regulaciones sobre seguridad.
- No conecte la unidad a ningún regulador de voltaje.
- Utilice siempre un cable de seguridad apropiado y homologado cuando instale la unidad.
- Para evitar descargas eléctricas, no abra la tapa, ya que no hay partes que pueda mantener el usuario en el interior.
- **Nunca** repare un fusible ni derive el soporte del fusible. ¡Reemplace **siempre** el fusible dañado por un fusible del mismo tipo y especificación eléctrica!
- En caso de que ocurran problemas de funcionamiento serios, deje de utilizar el aparato y póngase en contacto con su distribuidor inmediatamente.
- La carcasa y la lente deben reemplazarse si presentan daños visibles.
- Utilice el embalaje original cuando tenga que transportar el dispositivo.
- Por razones de seguridad se prohíbe realizar modificaciones no autorizadas en la unidad.

Importante: ¡Nunca mire directamente a la fuente de luz! No utilice el efecto en presencia de personas epilépticas.

MONTAJE SUPERIOR

- **Importante:** La instalación sólo debe llevarse a cabo por personal técnico cualificado. Una instalación incorrecta puede provocar lesiones graves y/o daños en la propiedad. ¡El montaje superior requiere mucha experiencia! Deben respetarse los límites de carga de funcionamiento, deben utilizarse materiales de instalación homologados, el dispositivo instalado debe inspeccionarse regularmente por su seguridad.
- Asegúrese de que debajo del área del lugar de instalación no hay personas durante el montaje, desmontaje o mantenimiento.
- Coloque el aparato en un lugar bien ventilado, lejos de materiales y/o líquidos inflamables. El aparato debe colocarse **a al menos 50 cm** de las paredes.
- El dispositivo debe instalarse lejos del alcance de las personas y de las áreas exteriores donde éstas puedan andar o sentarse.
- Antes del montaje asegúrese de que el área de la instalación puede soportar una carga mínima de 10 veces el peso de la unidad.
- Utilice siempre un cable de seguridad homologado que pueda soportar 12 veces el peso del dispositivo cuando instale la unidad. Este accesorio de seguridad secundario debe instalarse de forma que ninguna pieza de la instalación pueda caerse más 20 cm si falla el accesorio principal.
- El dispositivo debe fijarse correctamente; ¡un montaje con giro libre es peligroso y no debe considerarse!
- No cubra ninguna abertura de ventilación puesto que podría producirse un sobrecalentamiento de la unidad.
- El operario debe asegurarse de que las instalaciones relacionadas con la seguridad son aprobadas por un experto antes de utilizarlas por primera vez. Las instalaciones deberán inspeccionarse anualmente por una persona cualificada para asegurar que la seguridad es óptima.

MANEJO DE LA UNIDAD:



1. Soporte de pared
2. Conector del MANDO A DISTANCIA CA-8
3. Entrada DMX.
4. Salida DMX.
5. SENSIBILIDAD: para controlar la sensibilidad del micrófono interno.
6. Micrófono
7. CONECTOR DE RED ELÉCTRICA: conecte el cable de red eléctrica aquí suministrado.
8. INTERRUPTOR DE RED ELÉCTRICA: Se utiliza para encender/apagar el tablero de LEDs.
9. SOPORTE COLGANTE con perillas
10. LED MAESTRO: se enciende cuando la unidad está en modo maestro
11. LED DE DMX: se enciende cuando la unidad recibe una señal DMX
12. PANTALLA: muestra los varios menús y las opciones seleccionadas
13. LED ESCLAVO: se enciende cuando la unidad está en modo esclavo.
14. LED de sonido: parpadea al ritmo de la música mientras la unidad está en modo audio.
15. BOTÓN MENU: se utiliza para seleccionar los diferentes elementos del menú.
16. BOTÓN DOWN: para bajar en el menú y reducir los valores que se muestran en la pantalla

- 17. **BOTÓN UP:** para subir en el menú y aumentar los valores que se muestran en la pantalla
- 18. **BOTÓN ENTER:** se utiliza para confirmar su selección

CONFIGURACIÓN:

MENÚ PRINCIPAL:

- Para seleccionar cualquiera de las opciones del menú, pulse el botón **MENU** hasta que se muestre en pantalla la que desea.
- Seleccione la función con el botón **ENTER**. La pantalla parpadeará.
- Utilice los botones **DOWN** y **UP** para seleccionar la opción de menú deseada.
- Una vez que haya seleccionado la opción deseada, pulse el botón **ENTER** para seleccionar. Para regresar a las funciones sin hacer cambios pulse el botón **MENU** o espere 8 segundos. La estructura del menú se muestra a continuación.

Addr Ajuste de la dirección DMX512

Se utiliza para ajustar la dirección de inicio en una configuración DMX.

- Pulse el botón MENU **Addr** hasta que se muestre en la pantalla.
 - Pulse el botón ENTER, la pantalla comienza a parpadear.
 - Utilice los botones DOWN y UP para cambiar la dirección DMX512.
 - Una vez que se muestre la dirección correcta en pantalla, pulse el botón ENTER para guardarla.
(o volver automáticamente a las funciones principales sin hacer ningún cambio tras 8 segundos)
- Para volver a las funciones sin hacer cambios pulse el botón MENU otra vez.

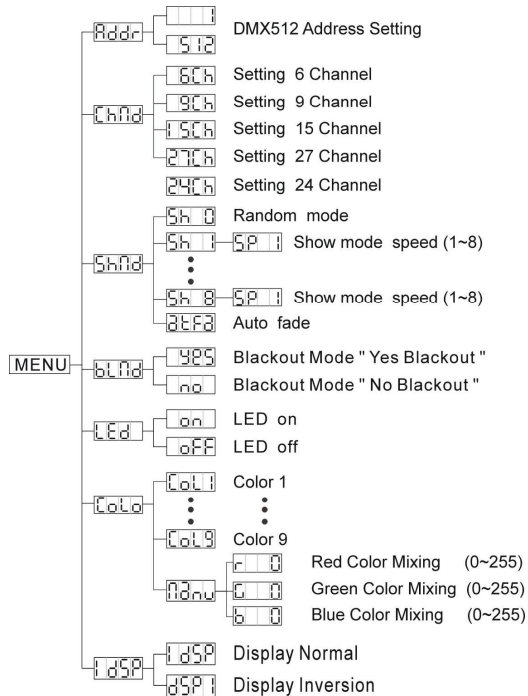
Chnd Modalidad Canal

- Pulse el botón MENU **Chnd** hasta que se muestre en la pantalla.
 - Pulse el botón ENTER, la pantalla comienza a parpadear.
 - Utilice los botones DOWN y UP para seleccionar el modo de 6 canales, 9 canales, 15 canales, 27 canales o 24 canales.
 - Una vez que haya seleccionado la modalidad, pulse el botón ENTER para configurar.
(o volver automáticamente a las funciones principales sin hacer ningún cambio tras 8 segundos)
- Para volver a las funciones sin hacer cambios pulse el botón MENU otra vez.

Shnd Modalidad Espectáculo

Se utiliza para seleccionar uno de los espectáculos preprogramados cuando se utiliza en modo independiente o maestro/esclavo. Esta opción de menú no está disponible cuando la unidad se establece en modo esclavo.

- Pulse el botón MENU **Shnd** hasta que se muestre en la pantalla.
- Pulse el botón ENTER, el espectáculo actual comenzará a parpadear en la pantalla.
- Utilice los botones DOWN y UP para seleccionar **Sh 0** (modo aleatorio), **Sh 1** a **Sh 8**, o **Atf8** (modo de atenuación automática).
- Una vez que se muestre el espectáculo correcto en pantalla, pulse el botón ENTER para guardarlo.



- (o volver automáticamente a las funciones principales sin hacer ningún cambio tras 8 segundos)
- Para volver a las funciones sin hacer cambios pulse el botón **MENU** otra vez.
- Cuando pulse el botón ENTER para confirmar, aparecerá **SP** parpadeando. Aquí deberá seleccionar una velocidad de oruga entre 1 y 8. Pulse de nuevo el botón ENTER para confirmar su selección o volverá al menú principal después de 8 segundos sin cambiar la velocidad del nuevo espectáculo.

BLnd Modalidad Oscurecimiento

Modalidad Oscurecimiento: cuando no se detecta ninguna señal DMX, la unidad entra en oscurecimiento.

Sin modalidad Oscurecimiento: cuando no se detecta ninguna señal DMX, la unidad pasa automáticamente a modo maestro.

Esta opción de menú no está disponible cuando la unidad se establece en modo esclavo.

- Pulse el botón MENU **BLnd** hasta que se muestre en la pantalla.
 - Pulse el botón ENTER, la selección actual comenzará a parpadear en la pantalla.
 - Use los botones DOWN y UP para seleccionar **SI** (oscurecimiento) o **NO** (sin oscurecimiento).
 - Una vez que haya seleccionado el modo, pulse el botón ENTER para guardarlo.
(o volver automáticamente a las funciones principales sin hacer ningún cambio tras 8 segundos)
- Para volver a las funciones sin hacer cambios pulse el botón MENU otra vez.

LEd Pantalla de LED

Pantalla encendida: la pantalla siempre está encendida.

Pantalla apagada: la pantalla está apagada cuando no se utiliza.

- Pulse el botón MENU hasta que la pantalla muestre **LEd**.
 - Pulse el botón ENTER, la pantalla comienza a parpadear.
 - Utilice los botones DOWN y UP para seleccionar **on** (pantalla siempre encendida) o **OFF** (pantalla apagada cuando no se utiliza).
 - Una vez que haya seleccionado el modo, pulse el botón ENTER para guardarlo.
(o volver automáticamente a las funciones principales sin hacer ningún cambio tras 8 segundos)
- Para volver a las funciones sin hacer cambios pulse el botón MENU otra vez.

Colo Modalidad Color

Col 1 Col 9 Se utiliza para seleccionar uno de los colores preprogramados.

Manu Se utiliza para crear su propio color de forma manual.

- Pulse el botón MENU **Colo** hasta que se muestre en la pantalla.
 - Pulse el botón ENTER, la pantalla comienza a parpadear.
 - Utilice los botones DOWN y UP **Col 1** para seleccionar a **Col 9**, o **Manu**.
 - Una vez que se muestre el color correcto parpadee en pantalla, pulse el botón ENTER para guardarlo.
(o volver automáticamente a las funciones principales sin hacer ningún cambio tras 8 segundos)
- Para volver a las funciones sin hacer cambios pulse el botón MENU otra vez.
- Cuando seleccione el modo manual **Manu**, podrá crear su propio color introduciendo un valor entre 0 y 255 para cada color RGB. Utilice los botones DOWN y UP para cambiar el valor. Utilice el botón ENTER para ir al siguiente color RGB.

Ldsp Inversión de pantalla

- Pulse el botón MENU **Ldsp** hasta que parpadee en la pantalla. (pantalla normal)
- Utilice el botón ENTER para cambiar a la modalidad **8dSP** (inversión de pantalla), la opción se almacenará automáticamente después de 8 segundos. O pulse el botón ENTER de nuevo para volver a la modalidad **Ldsp** (pantalla normal).
Para volver a las funciones pulse el botón MENU.

INSTALACIÓN ELÉCTRICA

⚠ Importante: La instalación eléctrica sólo debe ser llevada a cabo por personal cualificado, de acuerdo con la regulaciones sobre seguridad eléctrica y mecánica de su país.

Instalación eléctrica para 1 unidad independiente:

- Inserte el cable de red eléctrica. La unidad comienza a funcionar instantáneamente en modalidad independiente.

Observación 1: Puede conectar un controlador CA-8 remoto a la unidad si desea disponer de más control. Consulte "Manejo de la unidad" para saber cómo hacerlo.

Observación 2: Si no hay emisión, asegúrese de establecer la unidad en modo maestro (consulte el capítulo anterior)

Instalación eléctrica de una o más unidades en modalidad maestra/eslava:

- Conecte varias unidades juntas mediante cables de micrófono equilibrados de buena calidad. Establezca la primera unidad de la cadena en modo maestro, el resto debe establecerse en modo esclavo. Consulte el capítulo anterior para obtener más información.
- Asegúrese de que todas las unidades están conectadas a la red eléctrica.
- ¡Ya está!

Observación: Puede conectar un controlador CA-8 remoto a la unidad maestra si desea disponer de más control sobre el funcionamiento maestro/esclavo

Instalación eléctrica en modo DMX:

- El protocolo DMX es una señal de alta velocidad muy utilizada para controlar equipo de iluminación inteligente. Necesita conectar en cadena tipo margarita su controlador DMX y todas las unidades conectadas con un cable equilibrado de buena calidad.

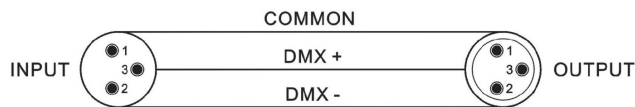
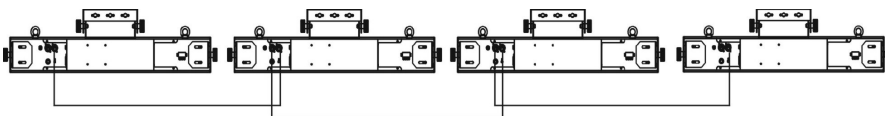
- Se utilizan conectores XLR de 3 pines y conectores XLR de 5 pines, no obstante, el conector XLR de 3 pines es más popular porque estos cables son compatibles con los cables de audio equilibrados.

Disposición de pines en el conector XLR de 3 pines: Pin1 = GND ~ Pin2 = Señal negativa (-) ~ Pin3 = Señal positiva (+)

Disposición de pines en el conector XLR de 5 pines: Pin1 = GND ~ Pin2 = Señal negativa (-) ~ Pin3 = Señal positiva (+) ~ Pines4+5 no se utilizan.

- Para evitar un comportamiento anómalo de los efectos luminosos, debido a interferencias, debe utilizar un terminador de 90Ω a 120Ω al final de la cadena. Nunca utilice cables divisores en Y, ¡no funcionarán!

- Asegúrese de que todas las unidades están conectadas a la red eléctrica.
- Cada efecto luminoso en la cadena necesita disponer de su propia dirección de inicio de forma que sepa qué comando del controlador debe descodificar.

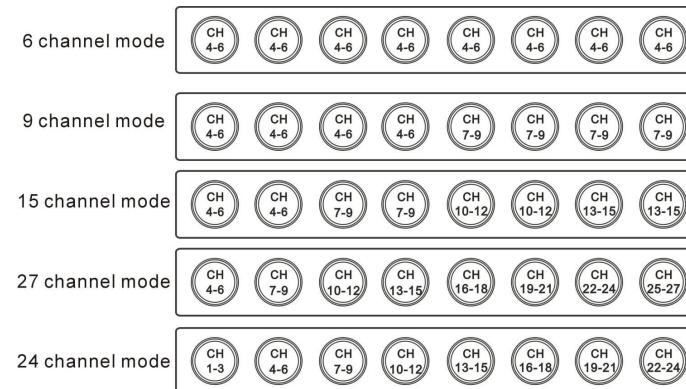


CONFIGURACIÓN EL TABLERO DE LEDS DE COLOR:

Puede controlar el tablero de LEDs de color mediante 6, 9, 15, 27 ó 24 canales DMX.

DMX CONFIGURATION					
6-CH MODE	9-CH MODE	15-CH MODE	27-CH MODE	24-CH MODE	FUNCTIONS
1	1	1	1		COLOR MACROS
2	2	2	2		MIX-COLOR / COLOR FADE SPEED
3	3	3	3		MACRO SPEED / SOUND
4	4	4	4	1	STROBE
5	5	5	5	2	RED
6	6	6	6	3	GREEN
	7	7	7	4	BLUE
	8	8	8	5	RED
	9	9	9	6	GREEN
	10	10	10	7	BLUE
	11	11	11	8	RED
	12	12	12	9	GREEN
	13	13	13	10	BLUE
	14	14	14	11	RED
	15	15	15	12	GREEN
		16	16	13	BLUE
		17	17	14	RED
		18	18	15	GREEN
		19	19	16	BLUE
		20	20	17	RED
		21	21	18	GREEN
		22	22	19	BLUE
		23	23	20	RED
		24	24	21	GREEN
		25	25	22	BLUE
		26	26	23	RED
		27	27	24	GREEN

El tablero de LEDs de color puede dividirse en un máximo de 8 zonas independientes, en función del modo de canal seleccionado:



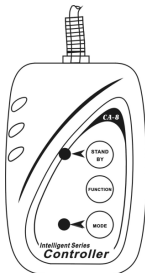
Configuración DMX en modo de 6 canales:

DMX512 Configuration						
Ch1	Ch2		Ch3	Ch4	Ch5	Ch6
Color Marcos	RGB Mix/Color Fade Speed	Marco Speed/Sound	Strobe	Red	Green	Blue
227-255 Color Marco 8	255	255	255	255	255	255
199-226 Color Marco 7	243	242				
171-198 Color Marco 6						
142-170 Color Marco 5						
114-141 Color Marco 4						
086-113 Color Marco 3						
057-085 Color Marco 2	16		16			
029-056 Color Marco 1	15		15			
000-028 Color Fade	0		0			

MANEJO DE LA UNIDAD

PUEDA MANEJAR LA UNIDAD DE TRES FORMAS:

- o Mediante la función preprogramada incorporada maestra/esclava
 - o Mediante el controlador fácil CA-8
 - o Mediante el controlador DMX universal
- **MEDIANTE LA FUNCIÓN PREPROGRAMADA INCORPORADA MAESTRA/ESCLAVA:**
 Seleccione esta unidad cuando desee un espectáculo luminoso instantáneo. Uniendo las unidades en conexión maestra/esclava, la primera unidad controlará el resto de unidades para proporcionar un espectáculo luminoso automático, sonoro y sincronizado. Su entrada DMX no tendrá nada conectado y su LED de maestra estará encendido constantemente y el LED de sonido parpadeará con la música.
¡Importante! ¡Esta función sólo funciona cuando la modalidad de oscurecimiento en el menú de la unidad maestra esté desactivada, en caso contrario, no ocurrirá nada! Lea más sobre esta opción en el párrafo "Configuración".
- **MAESTRA dispone de varios espectáculos incorporados:** puede seleccionar **Sh 0** (modo aleatorio), **Sh 1** (espectáculo 1) **Sh 8** (espectáculo 8) o **AtFd** (modo de atenuación automático) directamente en el menú de la unidad maestra.
- **MEDIANTE CONTROLADOR FÁCIL:**
 Cuando se utiliza en modalidad maestra/esclava, le recomendamos encarecidamente que utilice el "controlador fácil" CA-8. Conecte este pequeño controlador al jack de 1/4" de la unidad maestra y podrá controlar las siguientes FUNCIONES:



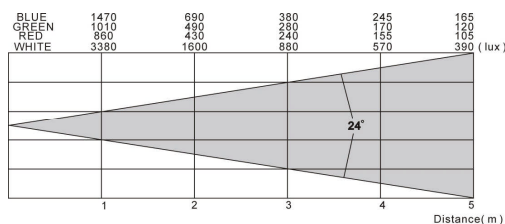
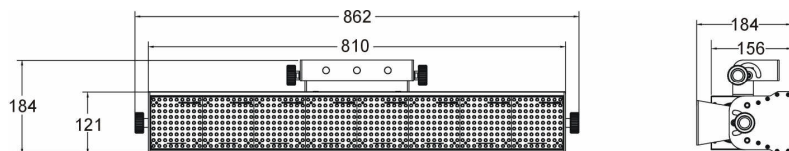
Oscurecimiento	Para oscurecer todos los aparatos			
Función	Estroboscópica	Selección de 9 colores	Selección de 9 modos de espectáculo	Ajuste de velocidad
	1. Estroboscópica sincronizada en blanco 2. Estroboscópica sincronizada en arco iris 3. Sincronizada sonido en blanco 4. Sincronizada sonido en arco iris	37. Rojo 38. Naranja 39. Amarillo 40. Verde 41. Cian 42. Azul 43. Púrpura 44. Magenta 45. Blanco	1. Espectáculo 1 2. Espectáculo 2 3. Espectáculo 3 4. Espectáculo 4 5. Espectáculo 5 6. Espectáculo 6 7. Espectáculo 7 8. Espectáculo 8 9. Atenuación automática	10. Velocidad baja 11. Velocidad media 12. Velocidad rápida
Modalidad	SOUND (sonido) (LED apagado)	Bloqueo (LED encendido)	Oruga (LED parpadeando)	Velocidad (LED parpadeando rápidamente)

MANTENIMIENTO

- Asegúrese de que debajo de la zona del lugar de instalación no haya personas durante el mantenimiento.
 - Apague la unidad, desenchufe el cable de red y espere hasta que la unidad se haya enfriado.
- Durante la inspección deberá comprobar los siguientes puntos:**
- Todos los tornillos utilizados para instalar el dispositivo y cualquiera de sus piezas deberán apretarse firmemente y no corroerse.
 - Las carcasas, las fijaciones y los puntos de instalación (techo, suspensiones) no deberán presentar ninguna deformidad.
 - Cuando una lente óptica esté visiblemente dañada por grietas o rasguños profundos, deberá ser reemplazada.
 - Los cables de red deberán estar en perfecto estado y deberán reemplazarse inmediatamente incluso si el problema detectado es pequeño.
 - Para proteger al aparato del sobrecalentamiento, las aletas de refrigeración (si las hubiera) y las aberturas de ventilación deberán limpiarse mensualmente.
 - El interior del dispositivo deberá limpiarse anualmente mediante una aspiradora o chorro de aire.
 - La limpieza de las lentes internas y externas y/o espejos deberá llevarse a cabo periódicamente para optimizar la emisión luminosa. La frecuencia de limpieza depende del entorno en el que funcione el aparato: los ambientes húmedos, con humo o especialmente sucios pueden provocar una mayor acumulación de suciedad en los elementos ópticos del aparato.
 - Limpie con un paño suave utilizando productos de limpieza de cristales normales.
 - Seque siempre las piezas con cuidado.
 - Limpie los elementos ópticos externos al menos una vez cada 30 días.
 - Limpie los elementos ópticos internos al menos una vez cada 90 días.
- Atención: ¡Le recomendamos encarecidamente que la limpieza interna sea llevada a cabo por personal cualificado!**

ESPECIFICACIONES

Entrada de red:	CA 230V, 50Hz
Consumo de energía:	105 W
Fusible:	250V T2A
Control de sonido:	Micrófono interno.
Conexiones DMX:	3 clavijas XLR macho / hembra
Canales DMX utilizados:	6, 9, 15, 27, 24 canales
LEDs:	Rojo 208, Verde: 208, Azul: 230 unidades
Tamaño:	810 x 121 x 156 mm
Peso:	8,2 kg



Toda la información está sujeta a cambios sin previo aviso
 Puede descargar la última versión de este manual de usuario en nuestra página Web:
www.briteq-lighting.com

MANUAL DO UTILIZADOR

Obrigado por ter adquirido este produto da BriteQ®. De modo a tirar total proveito das possibilidades deste produto, por favor leia este manual com atenção.

CARACTERÍSTICAS

Esta unidade está protegida contra interferências rádio. Este produto cumpre as exigências impostas pelas presentes directivas nacionais e europeias. A conformidade deste produto foi comprovada e as declarações e documentos relevantes foram efectuados pelo fabricante.

- Esta unidade destina-se a produzir efeitos luminosos decorativos e é utilizada em sistemas de espectáculos de luz.
- Poderoso projector de LED, desenhado para diferentes aplicações como: palco, teatro, TV, discotecas e clubes, etc...
- Cria maravilhosos efeitos quando instalado por detrás de paredes de vidro, tectos e chão.
- Usa 648 LED's de alta potência do Hewlett Packard / Agilent, divididos em 8 zonas independentes.
- Várias sequências incorporadas criam efeitos maravilhosos, controlados por DMX, microfone interno ou por um simples comando de mão quando usado em modo autónomo.
- Perfeito para usar em estúdios graças ao seu dimmer electrónico de 400Hz!
- Mais de 16 milhões de cores podem ser criadas por DMX!
- Transições suaves de cor (com DMX ou com comando de mão)
- Efeito estroboscópico extremamente rápido com qualquer cor desejada.
- Diferentes modos DMX:
 - Modo 6 canais: Todas as 8 zonas reagem identicamente
 - Modo 9 canais: O LED Color Bank é dividido em 2 zonas
 - Modo 15 canais: O LED Color Bank é dividido em 4 zonas
 - Modo 27 canais: O LED Color Bank é dividido em 8 zonas

ANTES DE UTILIZAR

- Antes de utilizar esta unidade verifique se existem danos provocados durante o transporte. Caso existam danos aparentes, não utilize a unidade e contacte o seu revendedor.
- **Importante:** Esta unidade deixou a nossa fábrica em perfeitas condições e devidamente embalada. É imprescindível que o utilizador siga as instruções de segurança e avisos descritos neste manual. Quaisquer danos provocados por utilização incorrecta não serão cobertos pela garantia. O revendedor não será responsável por quaisquer danos ou problemas causados pelo incumprimento das instruções deste manual.
- Guarde este manual num local seguro para consulta futura. Caso venda esta unidade, forneça este manual.

Verifique o conteúdo:

Certifique-se que a caixa contém os seguintes artigos:

- Manual do utilizador
- Unidade Led Color Bank
- Cabo de alimentação

INSTRUÇÕES DE SEGURANÇA:



CAUTION
 RISK OF ELECTRIC SHOCK
 DO NOT OPEN



ATENÇÃO: De forma a evitar o risco de choque eléctrico, não remova peças da unidade. Não tente fazer reparações. Contacte pessoal qualificado



O símbolo composto por um triângulo equilátero com um relâmpago no interior alerta para a presença de voltagem perigosa não isolada no interior do produto que poderá constituir risco de choque eléctrico.



O símbolo composto por um triângulo equilátero com um ponto de exclamação alerta o utilizador para a presença de instruções importantes de utilização e manutenção do produto.



Este símbolo significa: utilização unicamente em espaços fechados



Este símbolo significa: Leia instruções

Este símbolo determina: a distância mínima dos objectos iluminados. A distância mínima entre o projector e o objecto iluminado deve ser mais de 0,5 metros

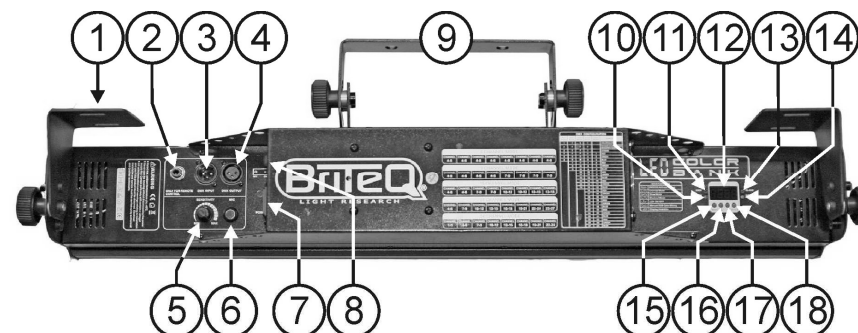
- Proteja o ambiente. Recicle o material desta embalagem.
- Os efeitos luminosos novos podem por vezes produzir algum fumo e/ou cheiro desagradável. Esta situação é normal e temporária.
- De modo a evitar risco de fogo ou choque eléctrico, não exponha este produto a chuva ou humidade.
- De forma a evitar a formação de condensação no interior da unidade, ao transportá-la para ambiente quente aguarde algum tempo de modo a que haja uma ambientação à temperatura. A condensação poderá afectar o desempenho da unidade ou até danificá-la.
- Esta unidade destina-se unicamente a utilização em espaços fechados.
- Não introduza objectos de metal nem verta líquidos no interior do produto, correrá risco de choque eléctrico ou poderá danificar o produto. Caso algum objecto estranho entre em contacto com o interior da unidade, desligue-a de imediato da corrente.
- Coloque esta unidade num local arejado, afastado de materiais inflamáveis e/ou líquidos.
- Não cubra os orifícios de ventilação ou a unidade poderá sobreaquecer.
- Evite locais com poeiras. Limpe a unidade regularmente.
- Mantenha esta unidade fora do alcance das crianças.
- Esta unidade deverá ser operada unicamente por pessoas experientes.
- Temperatura ambiente de funcionamento máxima é de 40°C. Não utilize esta unidade a temperaturas ambientes mais elevadas.
- Certifique-se de que não irão passar pessoas sob a área de instalação da unidade durante a instalação e manutenção.
- Desligue sempre a unidade da corrente quando não a utilizar durante longos períodos de tempo, antes de substituir a lâmpada ou de efectuar manutenção.
- A instalação eléctrica deve ser efectuada unicamente por pessoal qualificado, cumprindo os regulamentos de segurança em instalações eléctricas e mecânicas do seu país.
- Certifique-se que a voltagem a utilizar não é superior à voltagem indicada no painel traseiro da unidade.
- O cabo de alimentação deverá estar sempre em perfeitas condições. Desligue a unidade e substitua imediatamente o cabo caso este apresente algum dano. Deverá ser substituído pelo fabricante, pelo agente autorizado ou pessoal qualificado de modo a evitar um acidente.
- Nunca permita que este cabo entre em contacto com outros cabos!
- Esta unidade deverá estar ligada à Terra de forma a respeitar as regras de segurança.
- Não ligue a unidade a reguladores de intensidade.
- Utilize sempre um cabo de segurança aprovado ao instalar a unidade.
- De forma a não correr risco de choque eléctrico não abra a cobertura da unidade. À excepção da lâmpada e do fusível, não existem peças que possam ser substituídas pelo utilizador.
- **Nunca** repare um fusível nem tente operar a unidade sem fusível. Substitua **sempre** um fusível danificado por outro com as mesmas características!
- Em caso de problemas sérios de funcionamento, interrompa a utilização da unidade e contacte imediatamente o seu revendedor.
- A cobertura e as lentes deverão ser substituídas caso apresentem danos visíveis.
- Caso seja necessário transportar a unidade utilize a embalagem original.
- Por motivos de segurança, são proibidas quaisquer alterações não autorizadas à unidade.

Importante: Nunca olhe directamente para a luz! Não utilize este efeito luminoso na presença de pessoas epilépticas.

INSTALAÇÃO EM SUSPENSÃO

- **Importante:** A instalação deve ser efectuada unicamente por pessoal qualificado. Uma instalação incorrecta pode resultar em ferimentos graves e/ou danos na sua propriedade. Para efectuar uma instalação em suspensão é necessária muita experiência! Respeite os limites de carga, utilize materiais de instalação aprovados e inspecione a unidade instalada regularmente de forma a assegurar a segurança.
- Certifique-se que sob a área de instalação da unidade não irão passar pessoas durante a instalação e manutenção.
- Coloque esta unidade num local arejado, afastada de materiais inflamáveis e/ou líquidos. Esta unidade deverá ser instalada a **pelos menos 50cm** de distância de paredes circundantes.
- A unidade deve ser instalada fora do alcance das pessoas; afastada de áreas onde as pessoas possam passar ou sentar-se.
- Antes de proceder à instalação certifique-se que a área seleccionada pode suportar uma carga mínima de 10 vezes o peso da unidade.
- Na instalação, utilize sempre um cabo de segurança aprovado com capacidade para suportar 12 vezes o peso da unidade. Esta medida de segurança secundária deverá ser instalada de forma a que nenhuma parte da instalação possa cair mais de 20cm caso o ponto de apoio principal ceda.
- A unidade deverá ser fixa firmemente. Uma instalação oscilante pode ser perigosa e não deverá ser efectuada!
- Não cubra os orifícios de ventilação ou a unidade poderá sobreaquecer.
- O utilizador da unidade deverá certificar-se que a instalação é aprovada em termos de segurança e em termos técnicos por uma pessoa qualificada antes de efectuar a primeira utilização. A instalação deverá ser inspecionada todos os anos por um técnico qualificado de forma a certificar-se que a segurança está assegurada.

DESCRIÇÃO:



1. **SUPORTE PARAPAREDE:** Usado para fixar facilmente a unidade numa parede, tecto ou outra superfície plana.
2. **Conector REMOTE CONTROL:** Usado para conectar o comando de mão CA-8.
3. **DMX input:** Conecte nesta entrada a unidade anterior da sequência DMX ou o controlador DMX.
4. **DMX output:** Conecte a esta saída a próxima unidade da sequência DMX.
5. **SENSITIVITY:** Use este controlo para controlar a sensibilidade do microfone interno.
6. **MICROPHONE:** Usado para controlar os programas internos activados pela música.
7. **MAINS CONNECTOR:** Conecte aqui o cabo de alimentação fornecido.
8. **MAINS SWITCH:** Use este interruptor para ligar / desligar o LED Color Bank.
9. **BRAÇADEIRA DE SUSPENSÃO:** Usada para fixar em truss usando um grampo standard.
10. **LED MASTER:** Está aceso quando a unidade é configurada como Master.
11. **LED DMX:** Está aceso quando a unidade recebe um sinal DMX.
12. **MOSTRADOR:** Apresenta os vários menus e as funções seleccionadas.
13. **LED SLAVE:** Está aceso quando a unidade está em modo Slave.
14. **LED SOUND:** Pisca ao ritmo da música enquanto a unidade está em modo áudio.
15. **BOTÕES MENU:** Usados para navegar e escolher as diferentes opções do menu.

- 16. **BOTÃO BAIXO:** Para retroceder no menu ou para diminuir os valores indicados no mostrador.
- 17. **BOTÃO CIMA:** Para avançar no menu ou para aumentar os valores indicados no mostrador.
- 18. **BOTÃO ENTER:** Usado para confirmar as suas escolhas.

COMO CONFIGURAR:

MENU PRINCIPAL:

- Para seleccionar qualquer das opções do menu, pressione o botão cima do MENU quando a opção desejada é indicada no mostrador.
- Selecione a função com o botão **ENTER**. O mostrador irá piscar.
- Use os botões **BAIXO** E **CIMA** para escolher a opção desejada do menu.
- Assim que a opção desejada do menu é seleccionada, pressione o botão **ENTER** para escolher. Para retornar para as funções sem nenhuma alteração pressione o botão **MENU** aguarde 8 segundos. A estrutura do menu é mostrada em baixo.

Addr Configuração endereço DMX512 Usado para definir o endereço inicial numa configuração DMX.

- Pressione o botão MENU até que **Addr** seja visível no mostrador.
- Pressione o botão MENU, o mostrador começa a piscar.
- Use os botões BAIXO e CIMA, para mudar o endereço DMX.
- Assim que o endereço correcto seja indicado no mostrador, pressione o botão ENTER para o guardar. (ou irá retornar às funções principais sem qualquer alteração após 8 segundos).

Para voltar às funções sem nenhuma alteração pressione o botão MENU novamente.

Chnd Modo de canal

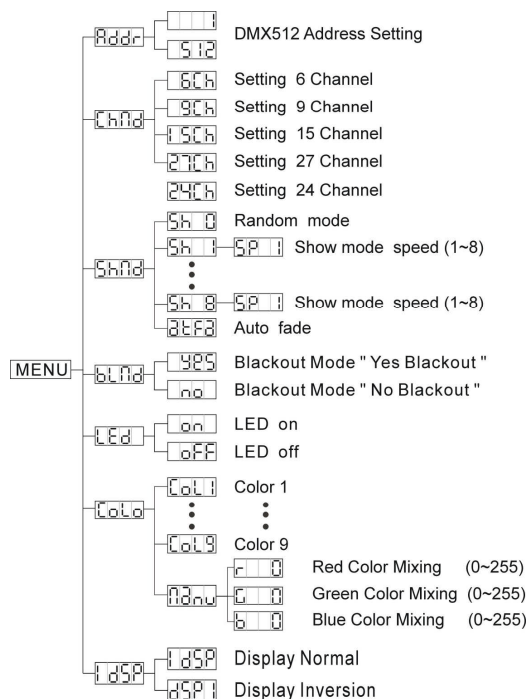
- Pressione o botão MENU até que **Chnd** seja visível no mostrador.
- Pressione o botão ENTER, o mostrador começa a piscar.
- Use os botões BAIXO e CIMA para seleccionar o modo de 6, 15, 27 ou 24 canais DMX.
- Assim que o modo seja seleccionado, pressione o botão ENTER para definir. (ou irá retornar às funções principais sem qualquer alteração após 8 segundos).

Para retornar às funções sem qualquer alteração pressione o botão MENU outra vez.

Shnd Modo Show

Usado para seleccionar um dos espectáculos pré programados quando usado em modo autónomo ou em modo Master / Slave. Esta opção do menu não se encontra disponível quando a unidade está definida para modo Slave.

- Pressione o botão MENU até que **Shnd** seja visível no mostrador.
 - Pressione o botão ENTER, o espectáculo (show) começa a piscar no mostrador.
 - Use os botões BAIXO e CIMA para seleccionar **Sh 0** (modo aleatório), **Sh 1** a **Sh 8**, ou **Auto** (modo transição automática)
 - Assim que o espectáculo desejado começar a piscar no mostrador, pressione o botão ENTER para o guardar. (ou retorne automaticamente às funções principais sem qualquer alteração após 8 segundos)
- Para retornar às funções sem qualquer alteração pressione o botão MENU outra vez.



- Após pressionar o botão ENTER para confirmar, um **SP** a piscar irá aparecer. Irá ter de escolher uma velocidade para a sequência entre 1 e 8. Pressione outra vez o botão ENTER para confirmar a sua escolha, ou irá retornar ao menu principal após 8 segundos sem alteração da velocidade do espectáculo.

blnd Modo Blackout

Modo Blackout; quando não é detectado sinal DMX, a unidade fica em blackout (apagada)
Modo blackout "NO"; quando não é detectado sinal DMX, a unidade alterna automaticamente para o modo Master. Esta opção não está disponível quando a unidade está definida para modo Slave.

- Pressione o botão MENU até que **blnd** seja visível no mostrador.
- Pressione o botão ENTER, a selecção actual começa a piscar no mostrador.
- Use os botões BAIXO e CIMA para seleccionar o modo **"YES"** (blackout) ou **"NO"** (sem blackout)
- Assim que o modo seja seleccionado, pressione o botão ENTER para guardar. (ou retorne automaticamente às funções principais sem qualquer alteração após 8 segundos)

Para retornar às funções sem qualquer alteração pressione o botão MENU outra vez.

LED Mostrador LED

Display on: O mostrador está sempre ligado.
Display off: O mostrador está desligado quando não está a ser usado.

- Pressione o botão MENU até que **LED** seja visível no mostrador.
 - Pressione o botão ENTER, o mostrador começa a piscar.
 - Use os botões BAIXO e CIMA para seleccionar **on** (mostrador sempre ligado) ou **OFF** (mostrador desligado quando não está a ser usado).
 - Assim que o modo seja seleccionado, pressione o botão ENTER para guardar. (ou retorne automaticamente às funções principais sem qualquer alteração após 8 segundos)
- Para retornar às funções sem qualquer alteração pressione o botão MENU outra vez.

Color Modo Cor

Col 1 a Col 9 Usado para seleccionar uma das cores pré programadas.

Manu Usado para criar manualmente a sua própria cor.

- Pressione o botão MENU até que **Color** seja visível no mostrador.
- Pressione o botão ENTER, o mostrador começa a piscar.
- Use os botões BAIXO e CIMA para seleccionar **Col 1** a **Col 9**, ou **Manu**
- Assim que a cor desejada seja seleccionada, pressione o botão ENTER para guardar. (ou retorne automaticamente às funções principais sem qualquer alteração após 8 segundos)

Para retornar às funções sem qualquer alteração pressione o botão MENU outra vez.

- Quando escolher o modo manual **Manu**, pode criar a sua própria cor introduzindo um valor entre 0 e 255 para cada uma das cores RGB. Use os botões BAIXO e CIMA para mudar o valor. Use o botão ENTER para passar á próxima cor RGB.

dsp Inversão do Mostrador

- Pressione o botão MENU até que **dsp** esteja a piscar no mostrador (mostrador normal)
 - Use o botão MENU até que **dsp** comece a piscar no mostrador (mostrador normal)
 - Use o botão ENTER para mudar o modo **dsp** (inversão do mostrador), a opção será automaticamente armazenada após 8 segundos. Ou pressione novamente o botão ENTER para retornar ao modo **dsp** (mostrador normal).
- Para voltar às funções pressione o botão MENU.

INSTALAÇÃO ELÉCTRICA + CONFIGURAÇÃO

Importante: A instalação eléctrica deve ser feita apenas por pessoal qualificado, de acordo com os regulamentos para segurança eléctrica e mecânica no vosso país.

Instalação eléctrica para 1 unidade em modo autónomo:

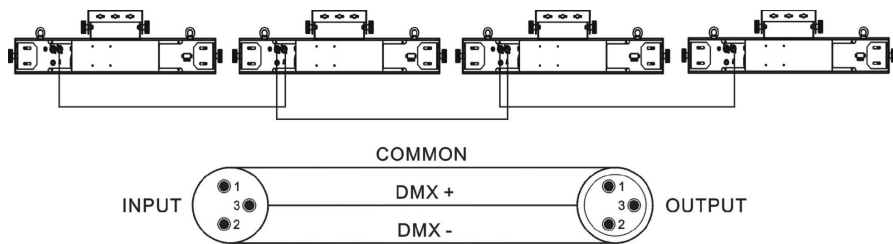
- Insira o cabo de alimentação. A unidade começa a trabalhar imediatamente em modo autónomo.
- Nota:** Pode conectar um comando remoto CA-8 à unidade se desejar ter mais controlo. Consulte a secção "COMO OPERAR A UNIDADE" para aprender como fazer isto.
- Nota2:** Se não funcionar, por favor certifique-se de colocar a unidade em modo Master (ver capítulo anterior)

Instalação eléctrica para duas ou mais unidades em modo Master/Slave:

- Conecte as unidades em sequência usando cabos de microfone balanceados de boa qualidade. Coloque a primeira unidade em modo Master, as restantes têm de ser colocadas em modo Slave. Veja o capítulo anterior para mais informação.
- Verifique se todas as unidades estão ligadas à corrente.
- Pronto!
- Nota:** Pode conectar um comando remoto CA-8 à unidade Master se desejar ter mais controlo sobre a operação master/slave.

Instalação eléctrica em modo DMX:

- O protocolo DMX é um sinal de alta velocidade usado para controlar equipamento inteligente de luz. É necessário ligar em série o vosso controlador DMX a todas as unidades conectadas com um cabo balanceado de boa qualidade
- Ambos os conectores XLR 3 pinos e XLR 5 pinos são usados, mas os XLR 3 pinos são mais populares porque estes cabos são compatíveis com cabos de áudio balanceados.
Configuração XLR 3 pinos: Pino 1 = Terra ~ Pino 2 = Sinal negativo (-) ~ Pino 3 = Sinal positivo (+)
Configuração XLR 5 pinos: Pino 1 = Terra ~ Pino 2 = Sinal negativo (-) ~ Pino 3 = Sinal positivo (+) ~ Pinos 4+5 não são usados.
- Para prevenir comportamento estranho dos efeitos de luz, devido a interferências, deverá usar uma resistência de 90Ω a 120Ω no final da série. Nunca utilize divisor de cabo Y, isto simplesmente não funciona!
- Verifique se todas as unidades estão ligadas à corrente.
- Cada efeito de luz na série precisa de ter o seu próprio endereço inicial para saber quais os comandos do controlador que tem de descodificar. Na próxima secção irá aprender como configurar os endereços DMX.

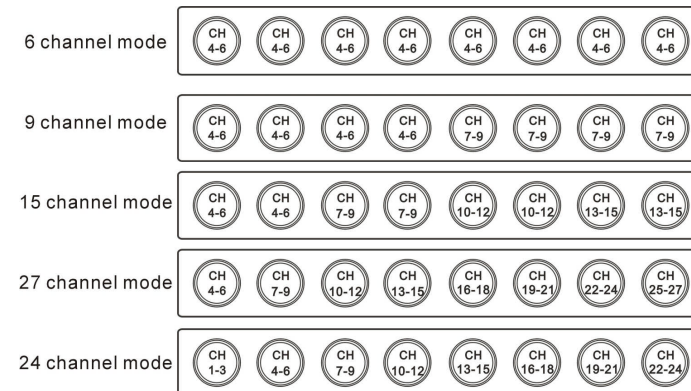


CONFIGURAÇÃO DMX DO LED COLOR BANK:

Pode controlar o Led Color Bank através de 6, 9, 15, 27 ou 24 canais DMX

DMX CONFIGURATION					
6-CH MODE	9-CH MODE	15-CH MODE	27-CH MODE	24-CH MODE	FUNCTIONS
1	1	1	1		COLOR MACROS
2	2	2	2		MIX-COLOR / COLOR FADE SPEED MACRO SPEED / SOUND
3	3	3	3		STROBE
4	4	4	4	1	RED
5	5	5	5	2	GREEN
6	6	6	6	3	BLUE
	7	7	7	4	RED
	8	8	8	5	GREEN
	9	9	9	6	BLUE
	10	10	10	7	RED
	11	11	11	8	GREEN
	12	12	12	9	BLUE
	13	13	13	10	RED
	14	14	14	11	GREEN
	15	15	15	12	BLUE
	16	16	16	13	RED
	17	17	17	14	GREEN
	18	18	18	15	BLUE
	19	19	19	16	RED
	20	20	20	17	GREEN
	21	21	21	18	BLUE
	22	22	22	19	RED
	23	23	23	20	GREEN
	24	24	24	21	BLUE
	25	25	25	22	RED
	26	26	26	23	GREEN
	27	27	27	24	BLUE

O Led Color Bank pode ser dividido no máximo em 8 zonas independentes, dependendo do modo de canal escolhido:



Configuração DMX em modo de 6 Canais:

DMX512 Configuration						
Ch1	Ch2		Ch3	Ch4	Ch5	Ch6
Color Marcos	RGB Mix / Color Fade Speed	Marco Speed / Sound	Strobe	Red	Green	Blue
	When CH1 = 100-23	When CH1 = 100-23				
227-255 Color Marco 8	255 Fast	255 Sound	255 Fast	255 100%	255 100%	255 100%
199-226 Color Marco 7		243				
171-198 Color Marco 6		242 Fast				
142-170 Color Marco 5			///			
114-141 Color Marco 4			///			
086-113 Color Marco 3			///			
057-085 Color Marco 2	16 Slow		16 Slow			
029-056 Color Marco 1	15		15 Open			
000-028 Color Fade	0	0	0	0	0	0

COMO OPERAR A UNIDADE:

PODE OPERAR A UNIDADE DE 3 MANEIRAS:

- o Através da função Master/Slave incorporada e pré programada
- o Através do comando CA-8
- o Através de qualquer controlador DMX universal

• ATRAVÉS DA FUNÇÃO MASTER/SLAVE INCORPORADA E PRÉ PROGRAMADA:

Selecione esta função quando quiser um espectáculo instantâneo. Ligando as unidades numa sequência Master/Slave, a primeira unidade irá controlar as outras unidades para fornecer um espectáculo de luz automático, sincronizado e activado por som. A sua entrada DMX não terá nada ligado, e o seu LED Master irá estar constantemente aceso e o LED Sound irá piscar ao ritmo da música.

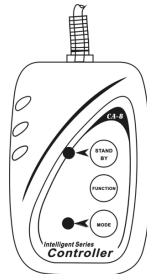
Importante! Esta função apenas funciona quando o modo Blackout da unidade Master está definido para OFF, de outra forma não irá acontecer nada. Leia mais sobre esta opção no parágrafo "COMO CONFIGURAR".

- **MASTER tem vários espectáculos incorporados:** Pode seleccionar **SH 0** (modo aleatório), **SH 1** (show 1) a **SH 8** (show 8), ou **SH FA** (modo transição auto) directamente no menu do Master.

• ATRAVÉS DO COMANDO CA-8

Quando usado em modo Master / Slave nós recomendamos que use o comando CA-8. Conecte este pequeno comando na entrada de jack 1/4" da unidade Master, e será capaz de controlar as seguintes FUNÇÕES:

Blackout	Para apagar todas as máquinas			
Função	Strobe	Escolher Cores	Escolher Shows	Velocidade
	1. Strobe síncrono em Branco	46. Vermelho	1. Show 1	13. Lento
	2. Strobe síncrono em Arco-íris	47. Laranja	2. Show 2	14. Médio
	3. Síncrono ao som em Branco	48. Amarelo	3. Show 3	15. Rápido
	4. Síncrono ao som em Arco-íris	49. Verde	4. Show 4	
		50. Azul Claro	5. Show 5	
		51. Azul	6. Show 6	
		52. Roxo	7. Show 7	
		53. Magenta	8. Show 8	
		54. Branco	9. Transição Auto	
Modo	Som (LED Apagado)	Latch (LED aceso)	Sequência (LED a piscar)	Velocidade (LED a piscar ráp.)



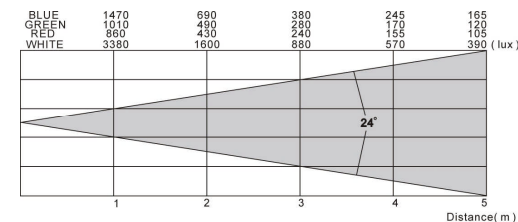
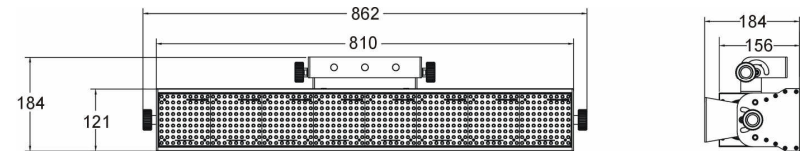
MANUTENÇÃO

- Certifique-se que sob a área de instalação da unidade não irão passar pessoas durante a manutenção.
- Desligue o cabo de alimentação da corrente e aguarde que a unidade arrefeça.
- **Durante a inspeção deverá verificar os seguintes pontos:**
 - Todos os parafusos utilizados nas peças da unidade e na instalação deverão estar apertados firmemente e não poderão estar corroídos.
 - A cobertura da unidade, os pontos de fixação e as áreas de instalação (tecto, armação, etc.) não deverão apresentar qualquer deformação.
 - Caso uma lente apresente danos visíveis como fendas ou riscos profundos, deverá ser substituída imediatamente.
 - O cabo de alimentação deverá estar em perfeitas condições e deverá ser substituído assim que for detectado o mais pequeno dano.
 - As ventoinhas de arrefecimento (caso existam) e os orifícios de ventilação deverão ser limpos todos os meses de modo a evitar que unidade sobreaqueça.
 - Utilize um aspirador ou um compressor de ar para limpar o interior da unidade uma vez por ano.
 - De forma a otimizar a projecção de luz, limpe as lentes ópticas internas e externas e/ou espelhos periodicamente. A regularidade das limpezas depende do ambiente em que está instalada a unidade: um ambiente húmido, com fumo ou poeirento dará origem a uma maior acumulação de impurezas nas ópticas da unidade.
 - Utilize um pano macio e um limpa-vidros normal na limpeza da unidade.
 - Seque sempre as peças cuidadosamente.
 - Limpe as ópticas externas pelo menos uma vez em cada 30 dias.
 - Limpe as ópticas internas pelo menos uma vez em cada 90 dias.

Atenção: Recomendamos vivamente que a limpeza do interior da unidade seja efectuada por pessoal qualificado!

ESPECIFICAÇÕES

Fonte de Alimentação:	AC 230V, 50Hz
Consumo de potência:	105 Watt
Fusível:	250V T2A
Controlo Som:	Microfone interno
Ligações DMX:	XLR 3 pinos macho / fêmea
Canais DMX usados:	6, 9, 15, 27, 24 canais
Leds:	Vermelho: 208, Verde: 208, Azul: 230 peças
Dimensões:	810 x 121 x 156 mm
Peso:	8,2 kg



Estas informações estão sujeitas a alterações sem aviso prévio

Pode fazer download da versão mais recente deste manual no nosso site: www.briteq-lighting.com