

**ART-150W  
Spectrum™ 150W**

**ART-252W  
Spectrum™ 252W**

**USER MANUAL**



---

This manual includes instructions and overview on the following 2 CHAUVET products;  
ART-150W and ART-252W.



CHAUVET, 3000 N 29<sup>th</sup> Ct, Hollywood, FL 33020 U.S.A  
(800) 762-1084 – (954) 929-1115  
FAX (954) 929-5560  
[www.chauvetlighting.com](http://www.chauvetlighting.com)

# TABLE OF CONTENT

<b>TABLE OF CONTENT</b> .....	<b>2</b>
<b>BEFORE YOU BEGIN</b> .....	<b>3</b>
WHAT IS INCLUDED .....	3
UNPACKING INSTRUCTIONS .....	3
AC POWER .....	3
SAFETY INSTRUCTIONS .....	3
<b>INTRODUCTION</b> .....	<b>4</b>
TECHNICAL FEATURES .....	4
FEATURES .....	4
DMX CHANNEL SUMMARY .....	4
PRODUCT OVERVIEW .....	5
<b>SETUP</b> .....	<b>6</b>
LAMP .....	6
Lamp installation (ART-150W) .....	6
Lamp installation (ART-252W) .....	7
POWER .....	7
INSTALLATION .....	8
Orientation .....	8
Mounting .....	8
Power configuration .....	8
Wiring the connector .....	9
Data Cables .....	9
Lamp Alignment How-To .....	9
<b>OPERATING INSTRUCTIONS</b> .....	<b>10</b>
MENU NAVIGATION .....	10
OPERATING MODES .....	10
Stand-Alone .....	11
DMX Mode .....	11
Spectrum Color™ (optional controller).....	11
MENU FUNCTIONS .....	12
DMX-512 addressing (Addr) .....	12
Setting the starting address .....	12
Stand-Alone, Show Selection {ShNd}.....	12
Setting the SHOW .....	12
Blackout Mode {bLNd} .....	12
Segment Display Configurations {Led}.....	13
Turning the Display off {Led}.....	13
Fixture Test and Service Functions {FAdJ}, {teSt}, {FhrS}, {rSet}.....	13
Focus Adjustment {FAdJ}.....	13
Fixture Self-Test {teSt} .....	13
Fixture Reset {rSet}.....	13
Fixture Hours {FhrS}.....	13
SPECTRUM COLOR™ (OPTIONAL DEDICATED CONTROLLER).....	14
Auto Fixture Address .....	14
<b>APPENDIX</b> .....	<b>15</b>
DMX PRIMER .....	15
Fixture Linking .....	15
DMX CHANNEL VALUES .....	16
PHOTO METRICS .....	16
MAINTENANCE .....	16
MAINTENANCE .....	17
RETURNS PROCEDURE .....	17
CLAIMS .....	17
GENERAL TROUBLESHOOTING .....	18
TECHNICAL SPECIFICATIONS .....	19
TECHNICAL SUPPORT .....	19

# BEFORE YOU BEGIN

## What is included

- ART-150W – Spectrum™ 150W or
- ART-252W – Spectrum™ 252W & foot brackets
- Power cord attached with bare ends
- MSD-250 or
- CDM-150 Discharge lamp
- Warranty Card & Manual

## Unpacking Instructions

Immediately upon receiving a fixture, carefully unpack the carton, check the contents to ensure that all parts are present, and have been received in good condition. Notify the shipper immediately and retain packing material for inspection if any parts appear damaged from shipping or the carton itself shows signs of mishandling. Save the carton and all packing materials. In the event that a fixture must be returned to the factory, it is important that the fixture be returned in the original factory box and packing.

## AC Power

To determine the power requirements for a particular fixture, see the label affixed to the back plate of the fixture or refer to the fixture's specifications chart. A fixture's listed current rating is its average current draw under normal conditions. All fixtures must be powered directly off a switched circuit and cannot be run off a rheostat (variable resistor) or dimmer circuit, even if the rheostat or dimmer channel is used solely for a 0% to 100% switch. Before applying power to a fixture, check that the source voltage matches the fixture's requirement. Check the fixture or device carefully to make sure that if a voltage selection switch exists that it is set to the correct line voltage you will use.

**Warning!** *Verify that the power select switch on your unit matches the line voltage applied. All fixtures must be connected to circuits with a suitable Earth Ground.*

## Safety Instructions



Please read these instructions carefully, which includes important information about the installation, usage and maintenance?



- Please keep this User Guide for future consultation. If you sell the unit to another user, be sure that they also receive this instruction booklet.
- Always make sure that you are connecting to the proper voltage and that the line voltage you are connecting to is not higher than that stated on decal or rear panel of the fixture.
- To prevent risk of fire or shock make sure there are no flammable materials close to the unit while operating.
- The unit must be installed in a location with adequate ventilation, at least 50cm from adjacent surfaces. Be sure that no ventilation slots are blocked.
- Always disconnect from power source before servicing or replacing lamp or fuse and be sure to replace with same lamp source.
- Secure fixture to fastening device using a safety chain. Never carry the fixture solely by its head. Use its carrying handles.
- Maximum ambient temperature is Ta: 50°. Do not operate fixture at temperatures higher than this.
- In the event of serious operating problem, stop using the unit immediately. Never try to repair the unit by yourself. Repairs carried out by unskilled people can lead to damage or malfunction. Please contact the nearest authorized technical assistance center. Always use the same type spare parts.
- Don't connect the device to a dimmer pack.
- Make sure power cord is never crimped or damaged.
- Never disconnect power cord by pulling or tugging on the cord.
- Avoid direct eye exposure to lamp while it is on.
- **Check your power cables carefully to ensure that there are no cuts or breach of integrity of the outer shell at any point. Moisture could be drawn up inside the cable due to a vacuum generated by heat inside the fixture.**
- **Protect connectors for both power and data lines in a weatherproof housing or a weatherproof junction box.**
- **If you don't hard wire the fixture to a weatherproof junction box, make sure to use an IP55 or better rated connector for both plugs and connectors.**
- **Do not connect to a dimmer system.**
- **For your protection, the fixture must be grounded and the AC mains supply must be outfitted with a circuit breaker and ground-fault protection.**

**Caution!** *There are no user serviceable parts inside the unit. Do not open the housing or attempt any repairs yourself. In the unlikely event your unit may require service, please contact CHAUVET.*

# INTRODUCTION

## Technical Features

- 1 channel DMX controlled exterior color wash
- 2 color system creates 15 colors plus white

## Features

- Durable and weatherproof IP-55 rated housing
- Low noise operation
- 4 built-in stand-alone programs with varying timed color-chase
- Programs can run automatically and without controller
- High efficiency optics
- Frosted lens diffuser
- Easy maintenance
- Reliable micro-stepping motor driven

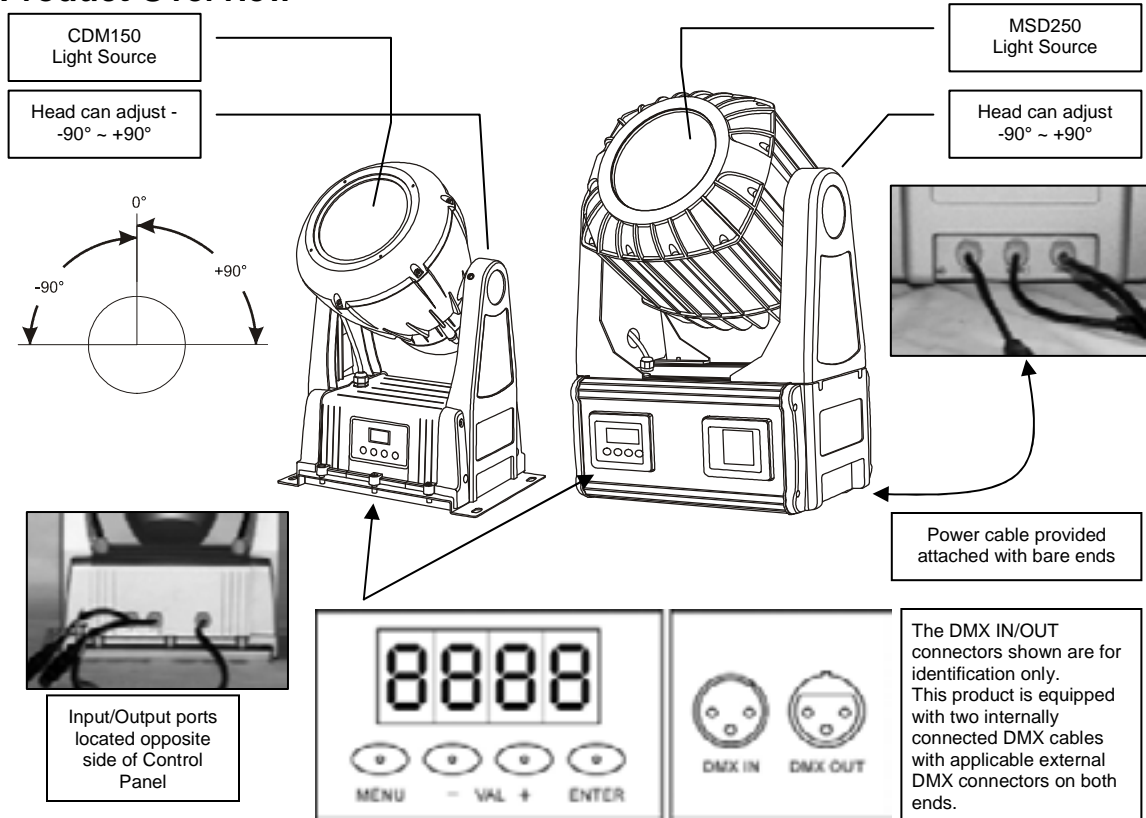
### OPTIONAL CONTROLLER

- Pre-programmed: Spectrum Color™ (ART-1CON)

## DMX Channel Summary

CHANNEL	FUNCTION
1	Colors

## Product Overview



### SEGMENT BUTTONS I/O PANEL OVERVIEW

BUTTONS		I/O PANEL	
<b>MENU</b>	Toggles programming functions	DMX Out & In	DMX-512 connectors
<b>( - )</b>	Steps backward through menu functions		
<b>( + )</b>	Steps forward through menu functions		
<b>ENTER</b>	Confirms selected menu function		

Product Overview

# SETUP

## Lamp

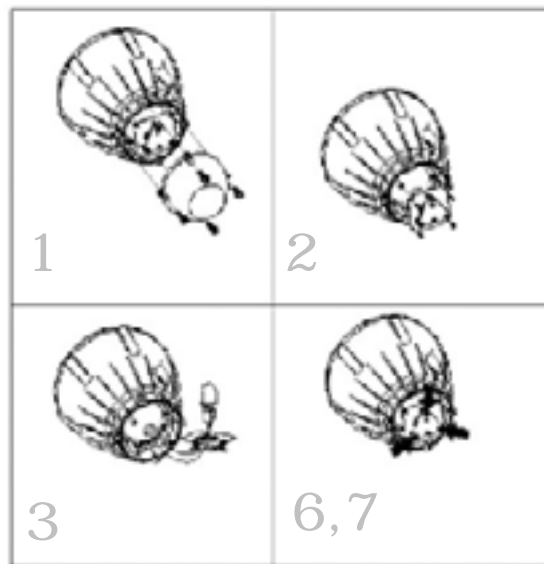
You will need to install a lamp prior to the initial operation of the fixture.

**Warning!** *When replacing the lamp, please wait 15 minutes after powering down to allow the unit to cool down! Always disconnect from main power prior to lamp replacement.*

Do not touch the envelope (glass area) of the bulb with bare hands. If this happens, clean the lamp with alcohol and wipe it with a lint free cloth before installation.

### LAMP INSTALLATION (ART-150W)

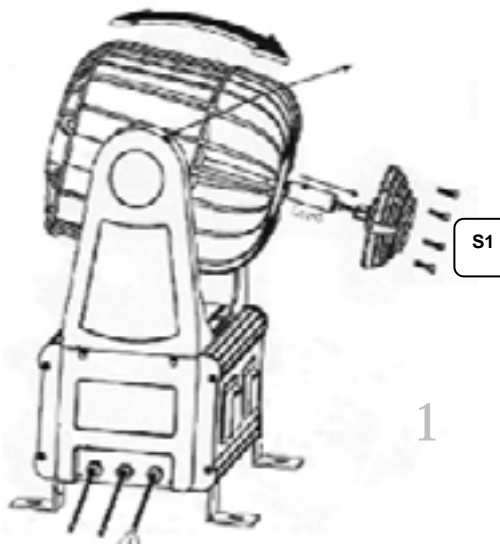
- 1) Remove the lamp back cover by removing the 4 screws located on rear of the head as illustrated.
- 2) Remove the 4 corner screws so that you can pull out the lamp socket plate.
- 3) With lamp socket plate out and the lamp accessible, if replacing the lamp, remove old lamp first.



- 4) Holding the new lamp by its base, align the small pin on the lamp with the small hole in the socket and insert the lamp squarely until the retaining clips on the lamp socket secures the lamp tightly.
- 5) Clean the glass/envelope of the bulb with an alcohol wipe or equivalent.
- 6) Holding the lamp socket plate, insert the tip of the lamp into the fixture with extreme care. Navigate the lamp all the way until it reaches the reflector and the lamp base plate touches the bottom plate of the fixture.
- 7) Align the screw holes and fasten the screws back onto the lamp socket plate.
- 8) If you are replacing the lamp, you may want to log the fixture hours in order to track the lamps use. Navigate to the {FhrS} on the menu display to obtain this information.
- 9) Turn the fixture on and adjust the lamp alignment screws until the brightest most even area of the beam is in the center of your spot. It may be necessary for you to use a controller in order to command the fixture to display a white beam. Conversely you can use the {FRdu} function from the control panel instead of a controller. Visit the "Lamp Alignment How-To" section in this manual for further reading and tips on the subject.
- 10) Place the lamp cover back on the fixture and screw on securely.

## LAMP INSTALLATION (ART-252W)

- 1) Remove the lamp back cover by removing the 4 screws located on rear of the head as illustrated (S1).
- 2) With lamp socket plate out and the lamp accessible, if replacing the lamp, remove old lamp first.
- 3) Holding the new lamp by its base, align the small pin on the lamp with the small hole in the socket and insert the lamp squarely until the retaining clips on the lamp socket secures the lamp tightly.
- 4) Clean the glass/envelope of the bulb with an alcohol wipe or equivalent.
- 5) Holding the lamp socket plate, insert the tip of the lamp into the fixture with extreme care. Navigate the lamp all the way until it reaches the reflector and the lamp base plate touches the bottom plate of the fixture.
- 6) Align the screw holes and fasten the screws back onto the lamp bank cover.
- 7) If you are replacing the lamp, you may want to log the fixture hours in order to track the lamps use. Navigate to the {FhrS} on the menu display to obtain this information.



## Power

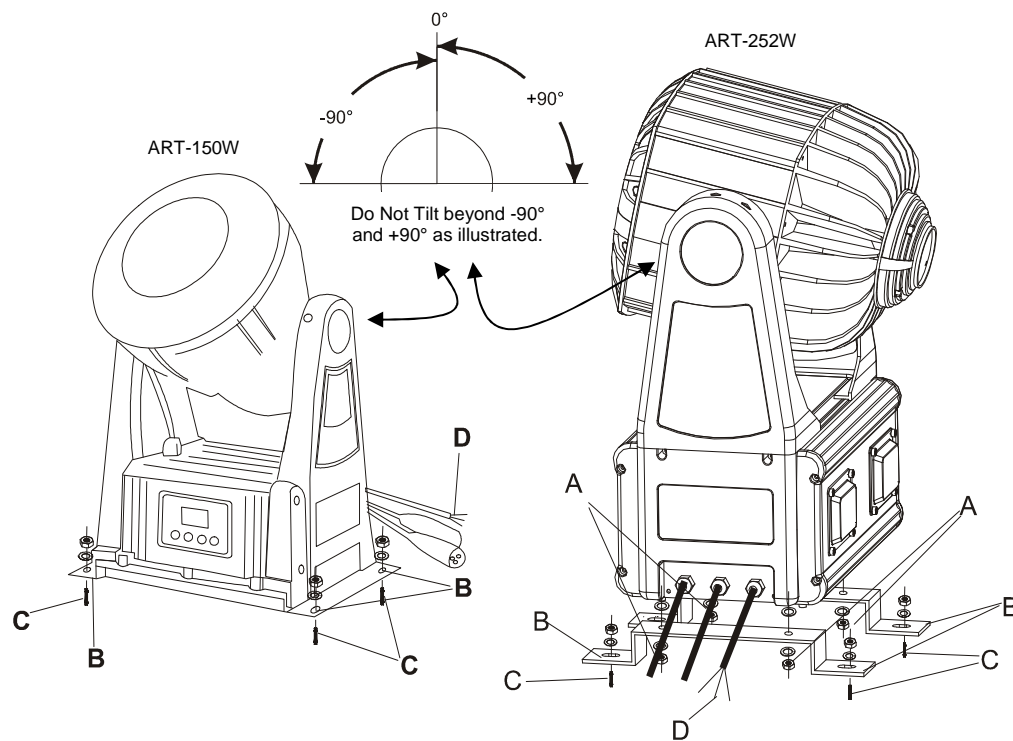
- To determine the power requirements for a particular fixture, see the label affixed to the back plate of the fixture or refer to the fixture's specifications chart.
- A fixture's listed current rating is its average current draw under normal conditions.
- All fixtures must be powered directly off a switched circuit and cannot be run off a rheostat (variable resistor) or dimmer circuit, even if the rheostat or dimmer channel is used solely for a 0% to 100% switch.
- Before applying power to a fixture, check that the source voltage matches the fixture's requirement.
- All fixtures must be connected to circuits with a suitable Earth Ground.

## Installation

### ORIENTATION

This fixture is designed to be installed upright at all times. It achieves an Ingress Protection Rating of 55 only when the fixture's base is attached to a level horizontal surface on.

### MOUNTING



- 1) If connected, be sure to always disconnect from main power before installing fixture.
- 2) The ART-252 comes with foot brackets that should be attached to the fixture's base prior to the fixed installation. Bolt foot brackets to the bottom of the fixture. (A)
- 3) The ART-150 is constructed with mounting brackets.
- 4) Bolt fixture onto a leveled floor surface using holes marked by (B).

### Power configuration

The factory power settings will be printed on the fixtures serial label. Make sure that your local AC voltage matches that required by the fixture.

- 115V / 50Hz AC or
- 230V / 60Hz AC

Both ART-150 and ART-252 are equipped with a 3-conductor electrical cable for connecting to an AC power supply. (D) The cable enters the fixture through a cable gland that fits 5 to 10mm diameter cables. Because the ART fixtures are built for permanent exterior installations please adhere to the following safety and installation precautions.



**SAFETY PRECAUTIONS!**

- **Check your power cables carefully to ensure that there are no cuts or breach of integrity of the outer shell at any point. Moisture could be drawn up inside the cable due to a vacuum generated by heat inside the fixture.**
- **Protect connectors for both power and data lines in a weatherproof housing or a weatherproof junction box.**
- **If you don't hard wire the fixture to a weatherproof junction box, make sure to use an IP55 or better rated connector for both plugs and connectors.**
- **Do not connect to a dimmer system.**
- **For your protection, the fixture must be grounded and the AC mains supply must be outfitted with a circuit breaker and ground-fault protection.**

**Wiring the connector**

	Visible Markings	(USA) Wires	(EU) Wires	Connector
<b>Live</b>	"L"	Black	Brown	Yellow or brass
<b>Neutral</b>	"N"	White	Blue	Silver
<b>Ground</b>	"W"	Green	Yellow/Green	Green

Consult an electrician if you have any doubts about the proper wiring connection during your installation.

**Data Cables**

Data linking is required for synchronized operation as well as DMX controller operation. The Spectrum fixtures are equipped with two 24 AWG data cables that exit the fixture through a cable gland. Both cables are equipped with XLR connectors. The locking 3-pin male is for data input and the 3-pin female is for data output. The "DMX Primer" in the Appendix section details more information about wiring. In short, a 3-pin connector is wired pin-1 to (ground), pin-2 to (signal) and pin-3 to (hot).

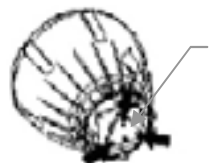
Use RS-485 data cables designed for outdoor use.

- (24 AWG) for runs up to 1000 feet or 300 meters
- (26 AWG) for runs up to 1640 feet (500 meters)

Currently, neither the data cables nor the power cable is weather rated. Consider changing these for exterior weather rated equivalents. In addition, follow the same "Safety Precautions" as listed in the section above "Power configuration".

**Lamp Alignment How-To**

Often, after a new installation of a lamp, you will find that there is an uneven field of light or what is referred to as a hot spot. This is due to the most intense point of the lamp source not being positioned optimally within the reflector. There are three lamp alignment screws provided at the base of the fixture. Turning these screws allow you to optimize the projection quality of the spot as well as the overall intensity of the beam.



Even out this plate by turning the lamp alignment screws, prior to lamp optimization. This will provide you a good starting point.

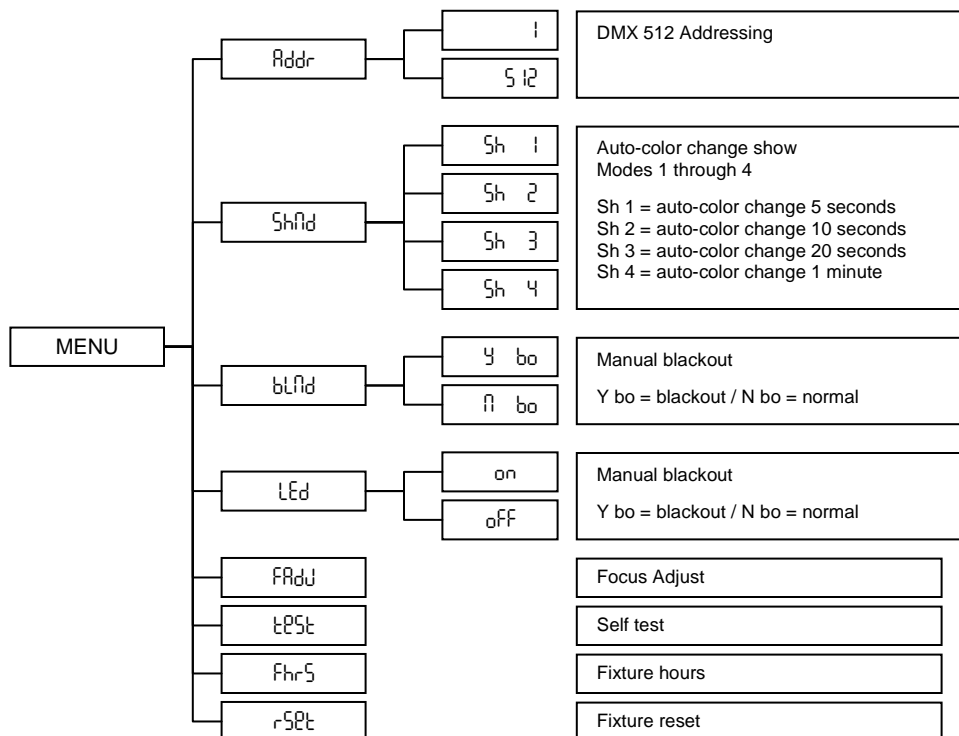
- 1) Project a white spot against any flat surface. Preferably the surface should be white or pastel in color.
- 2) Turning the lamp alignment screws, try to position the hot spot in the center of the beam as best as possible. This could require many attempts on your part. It is advisable to even out the screws prior to lamp alignment as described in the illustration.
- 3) Once the hot spot is in the center of the spot, do your best to turn all screws equally as to affect movement up or down within the reflector.
- 4) As you move in and out of optimum lamp focus, you will see the hot spot either get wider or narrower. The goal is to either totally diminish the hot spot by having it widen and spread across the entire spot or moving the hot spot so that it covers as much of the beam spot area as possible.



# OPERATING INSTRUCTIONS

## Menu Navigation

To select any of the pre-set functions, press the **MENU** button until the desired function is shown on the display. Select the function by pressing the **ENTER** button and the display will blink. Use the **DOWN** and **UP** button to change the settings. Once the required setting has been selected, press the **ENTER** button to activate it. If you do not press the **ENTER** button, it will automatically return to the main functions without any change after idling 8 seconds. To go back to the functions without any change press the **MENU** button. The main functions are shown below:



Upon powering up the unit, you will notice that it will display a fixture ID. In addition, the fixtures electronics will load up its programming and home (adjust) its motors to a starting position. The sequence of events should take no more than 20 seconds and it is necessary for the fixture to operate correctly. During this time you will hear motor and mechanical movement inside the fixture. After this initial power-up sequence, if the fixture receives no DMX signal, it will enter into a stand alone mode. Be sure to power up your DMX controller device before the lighting fixture to avoid unwanted auto mode operation.

## Operating Modes

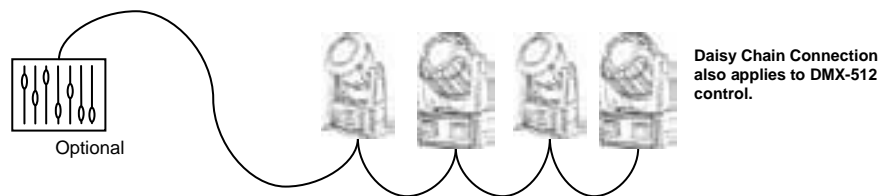
All models can be operated in three different ways.

- Stand-Alone mode will allow the independent execution of programs and a Master/Slave mode will allow the command of up to as many units you want in a synchronized manner.
- DMX control mode will provide the greatest flexibility and creativity. You can create an unlimited range of chase patterns at any speeds
- Using the optional Spectrum Color™ dedicated controller.

## STAND-ALONE

Stand-alone is an independent fixture operating state which basically means without the use of any controlling device. The Spectrum™ Exterior Wash fixtures have 4 internal programs that can be manually selected using the fixture's Control Panel. Once set, every time the fixture is powered, the program selected will automatically execute. Selecting the program is done using the {ShNd} function in the fixture's Control Panel. Skip over to "Menu Functions" – "Stand-Alone, Show Selection {ShNd}" for detailed instructions. If you own multiple Spectrum™ fixtures, you can link them together so that they all follow one leader in synchrony called the (master). This operating state is called Master/Slave mode.

The Master/Slave mode will allow you to link multiple units in a daisy chain fashion. In this mode, the first unit in the daisy chain will automatically command all other units following. Master/Slave operation does not require any menu or setting selections. Simply connect each fixture in a daisy like fashion using qualified 3 pin DMX cables as described below. The first unit in the chain will operate in a Stand-Alone mode and all units following will synchronize to the first unit. You can choose from 4 internal chase programs as described in the next page under "Stand-Alone, Show Selection {ShNd}".



- 1) Connect the (male) 3 pin connector side of the DMX cable to the output (female) 3 pin connector of the first fixture.
- 2) Connect the end of the cable coming from the first fixture which will have a (female) 3 pin connector to the input connector of the next fixture consisting of a (male) 3 pin connector. Then, proceed to connect from the output as stated above to the input of the following fixture and so on as illustrated below in "Daisy Chain Connection".

## DMX MODE

Operating in a DMX Control mode environment gives the user the greatest flexibility when it comes to customizing or creating an environment. Simply address all fixtures sequentially and use any universal DMX controller.

## SPECTRUM COLOR™ (OPTIONAL CONTROLLER)

The Spectrum Color™ is the ideal control mechanism for the Spectrum series Architectural wash fixtures. It provides immediate access to colors, color holds, and timed chase adjustment.

## Menu Functions

### ***DMX-512 addressing {Addr}***

This mode enables the use of a universal DMX controller device. Each fixture requires a "start address" from 1 to 511. A fixture requiring one or more channels for control begins to read the data on the channel indicated by the start address. In the case of the Spectrum™, only 1 channel is necessary. Each fixture can be incrementally numbered.

**The following Caution statement refers to Universal DMX Controller devices only.**

Some controllers are factory configured to control a specific range of channels per fixture. For example, you may have a controller pre-set to control 10 channels per fixture for a total of 12 fixtures. In this case you would be required to separate all fixtures in 10 channel increments instead of the true number of channels your particular fixture utilizes.

### **SETTING THE STARTING ADDRESS**

- 1) Press the **MENU** button until the display reads Addr.
- 2) Press the **ENTER** button to select DMX addressing. Once selected the display will read either a 1 or any other number that may have previously been set. You must make a selection within 6 seconds.
- 3) Press the **(-)** and **(+)** buttons to increase or decrease values until the desired value is achieved.
- 4) Press the **ENTER** button to activate selection.



### ***Stand-Alone, Show Selection {ShNd}***

By linking the units under a Show mode, the first unit can direct additional units to create a synchronized light show. If the fixture is not connected to a controller then it will automatically enter a stand-alone mode.

### **SETTING THE SHOW**

The Spectrum™ contains 4 built in programs that affect the time that each color changes

Sh 1	Show Mode 1	5 second color chase
Sh 2	Show Mode 2	10 second color chase
Sh 3	Show Mode 3	20 second color chase
Sh 4	Show Mode 4	1 minute color chase

- 1) Tap the **MENU** button until the display reads ShNd.
- 2) Press the **ENTER** button to select this function. The selection is confirmed when the display begins to blink. You must make a selection within 8 seconds.
- 3) Press the **(-)** and **(+)** buttons to toggle between the Shows available.
- 4) Press the **ENTER** button to activate selection.

### ***Blackout Mode {bLNd}***

- 1) Tap the **MENU** button until the display reads bLNd.
- 2) Press the **ENTER** button to select this function. The selection is confirmed when the display begins to blink. You must make a selection within 8 seconds.
- 3) Press the **(-)** and **(+)** buttons to toggle between [ Y b0 ] for **yes** to blackout or [ n b0 ] for **no**.
- 4) Press the **ENTER** button to activate selection.

## **Segment Display Configurations {Led}**

The LED segment display can be set to off after 8 seconds of no menu activity. The LED will display again as soon as the menu is accessed by pressing any of the buttons.

### **TURNING THE DISPLAY OFF {LED}**

- 1) Tap the **MENU** button until the display reads **Led**.
- 2) Press the **ENTER** button to select this function. The selection is confirmed when the display begins to blink. You must make a selection within 8 seconds.
- 3) Press the **(-)** and **(+)** buttons to toggle between the {on} and {off} setting.
- 4) Press the **ENTER** button to activate selection.
- 5) **Note!** This configuration is set on an individual fixture basis.

## **Fixture Test and Service Functions {FAdJ}, {teSt}, {FhrS}, {rSet}**

### **FOCUS ADJUSTMENT {FADJ}**

The focus adjustment tool activates a pre-set program that turns the lamp on with no color.

- 1) Tap the **MENU** button until the display reads **FAdJ**.
- 2) Press **ENTER** and the display will blink.
- 3) Adjust the lamp focus/optimization as described in the "Lamp Section".
- 4) Press the **MENU** button to leave this mode.

### **FIXTURE SELF-TEST {TEST}**

The test sequence will run through all of the projection capabilities of each individual fixture, including gobo and color effects.

- 1) Tap the **MENU** button until the display reads **teSt**.
- 2) Press **ENTER** and the fixture will immediately begin to play back a test sequence. Observe tentatively for any abnormalities.
- 3) Press the **MENU** button to leave this mode.

### **FIXTURE RESET {RSET}**

This function will re-initialize the fixture by returning all motors to its startup positions or otherwise known as (home position).

- 1) Tap the **MENU** button until the display reads **rSet** and press **ENTER**.

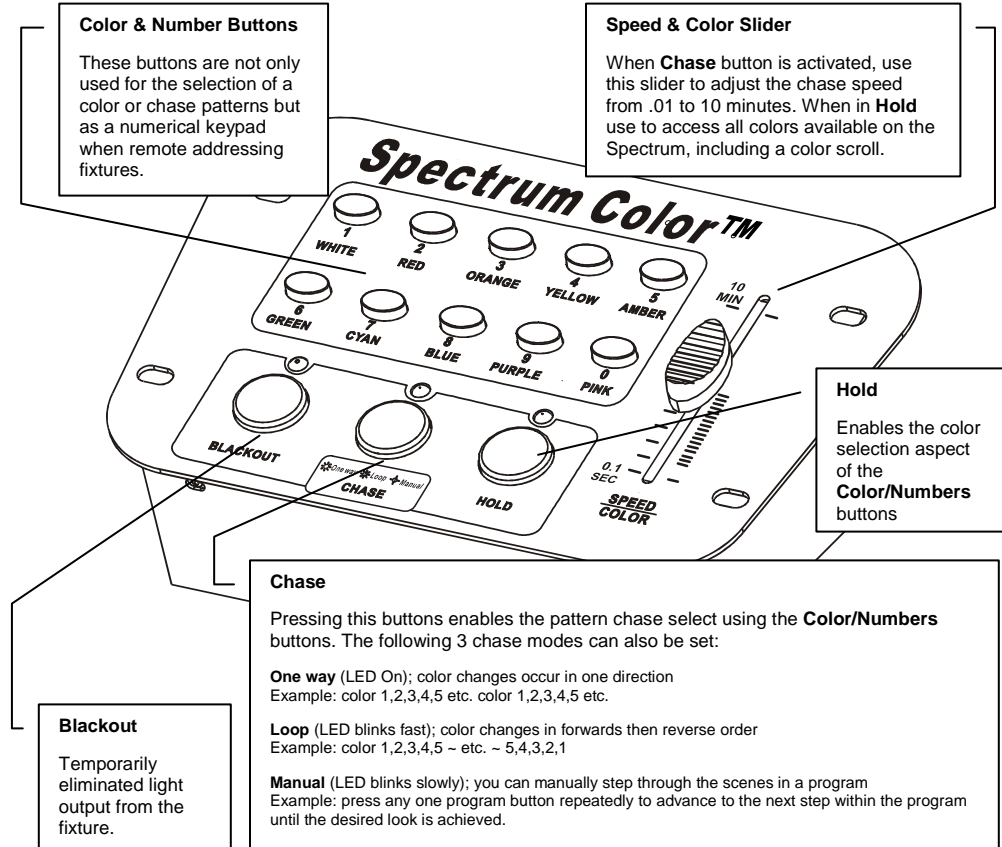
### **FIXTURE HOURS {FHRS}**

The (fixture hours) readout displays the number of hours the fixture has been in use. It is not uncommon to find new fixtures with a few logged hours. This means the fixture was thoroughly tested prior to delivery.

- 1) Tap the **MENU** button until the display reads **FhrS**.
- 2) Press **ENTER** to view the total working hours.
- 3) You can leave alone and the display will return to the regular menu or press **MENU** button to return to main menu.

# Spectrum Color™ (Optional dedicated controller)

The ART-1CON is a user friendly dedicated controller for the Spectrum Architectural Exterior Wash. It allows the user to select manually any one of 10 colors on buttons or any of the 15 available colors using the slider including the color scroll effect. The controller can be set to hold any particular color or the timed-chase can be modified between .01 seconds and 10 minutes. There are 10 built in chase patterns to choose from. Unless you intend to hold a color for a full day, to extend the time period beyond 10 minutes use a universal DMX controller. Visit [www.chauvetlighting.com](http://www.chauvetlighting.com) and browse the section under DMX Controllers.



Chase Patterns	Chase Pattern Description
1	Changes colors at random
2	Group changing colors – one by one
3	Group changing colors – two by two
4	Group changing colors – four by four
5	Group changing colors – eight by eight
6	Group changing colors – 16 by 16
7	Color chasing – one fixture after another in sequence
8	Color chasing – 2 after 2 in sequence
9	Color chasing – 4 after 4 in sequence
0	Color chasing – 8 after 8 in sequence

## Auto Fixture Address

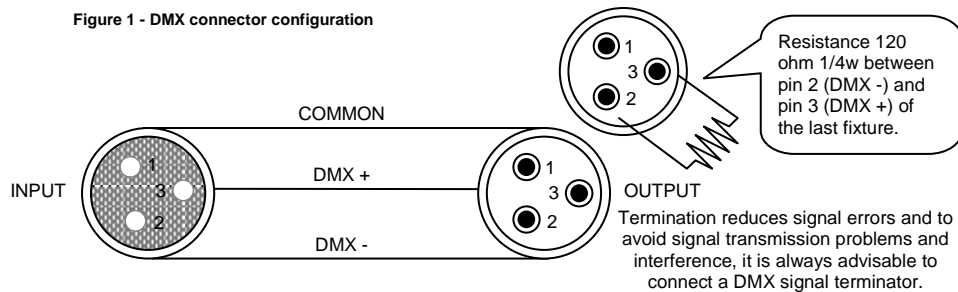
Hold down the **BLACKOUT** button and use the Color/Number buttons to enter the number of fixtures you have daisy chained. Upon releasing, the fixtures will be automatically addressed.

# APPENDIX

## DMX Primer

There are 512 channels in a DMX-512 connection. Channels may be assigned in any manner. A fixture capable of receiving DMX-512 will require one or a number of sequential channels. The user must assign a starting address on the fixture that indicates the first channel reserved in the controller. There are many different types of DMX controllable fixtures and they all may vary in the total number of channels required. Choosing a start address should be planned in advance. Channels should never overlap. If they do, this will result in erratic operation of the fixtures whose starting address is set incorrectly. You can however, control multiple fixtures of the same type using the same starting address as long as the intended result is that of unison movement or operation. In other words, the fixtures will be slaved together and all respond exactly the same.

DMX fixtures are designed to receive data through a serial Daisy Chain. A Daisy Chain connection is where the DATA OUT of one fixture connects to the DATA IN of the next fixture. The order in which the fixtures are connected is not important and has no effect on how a controller communicates to each fixture. Use an order that provides for the easiest and most direct cabling. Connect fixtures using shielded two conductor twisted pair cable with three pin XLR male to female connectors. The shield connection is pin 1, while pin 2 is Data Negative (S-) and pin 3 is Data positive (S+). CHAUVET carries 3-pin XLR DMX compliant cables, DMX-10 (33'), DMX-4.5 (15') and DMX-1.5 (5')



## FIXTURE LINKING

**Note!** *If you use a controller with a 5 pin DMX output connector, you will need to use a 5 pin to 3 pin adapter. CHAUVET Model No: DMX5M. The chart below details a proper cable conversion:*

3 PIN TO 5 PIN CONVERSION CHART

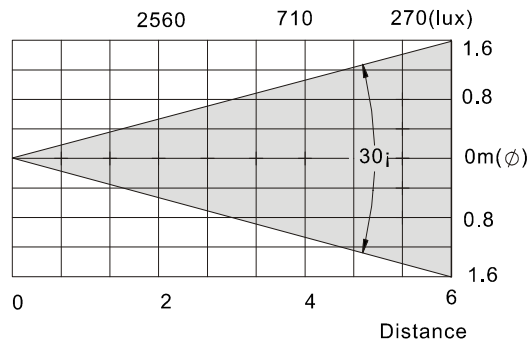
Conductor	3 Pin Female (output)	5 Pin Male (Input)
Ground/Shield	Pin 1	Pin 1
Data ( - ) signal	Pin 2	Pin 2
Data ( + ) signal	Pin 3	Pin 3
Do not use		Do not use
Do not use		Do not use

## DMX Channel Values

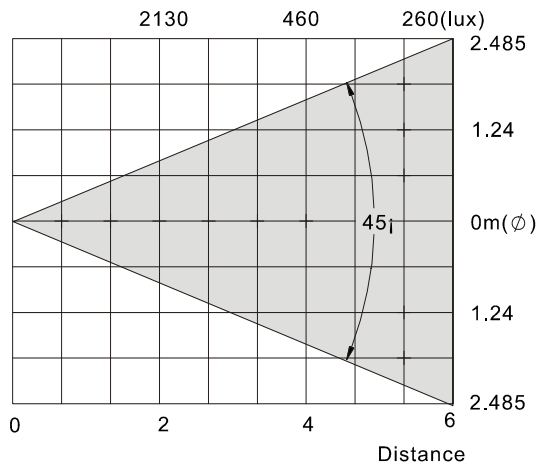
CHANNEL	VALUE	FUNCTION
1	000 ⇔ 007	Colors
	008 ⇔ 015	Blackout
	016 ⇔ 022	White
	023 ⇔ 030	CT-3200°K
	031 ⇔ 037	Red
	038 ⇔ 045	CT & Red
	046 ⇔ 052	Orange
	053 ⇔ 060	Yellow
	061 ⇔ 067	Amber
	068 ⇔ 075	Dark Green
	076 ⇔ 082	Green
	083 ⇔ 090	CT & Green
	091 ⇔ 097	Light Green
	098 ⇔ 105	Cyan
	106 ⇔ 112	Blue
	113 ⇔ 120	CT & Blue
	121 ⇔ 127	Purple
128 ⇔ 247	Pink	
248 ⇔ 255	Rainbow effect	
		White

## Photo Metrics

ART-150W Beam angle 30 degree



ART-252W Beam angle 45 degree





## Maintenance

To maintain optimum performance and minimize wear fixtures should be cleaned frequently. Usage and environment are contributing factors in determining frequency. As a general rule, fixtures should be cleaned at least twice a month. Dust build up reduces light output performance and can cause overheating. This can lead to reduced lamp life and increased mechanical wear. Be sure to power off fixture before conducting maintenance.

Unplug fixture from power. Use a vacuum or air compressor and a soft brush to remove dust collected on external vents and internal components. Clean all glass when the fixture is cold with a mild solution of glass cleaner or Isopropyl Alcohol and a soft lint free cotton cloth or lens tissue. Apply solution to the cloth or tissue and drag dirt and grime to the outside of the lens. Gently polish optical surfaces until they are free of haze and lint. Do not touch the lamp glass when cleaning fixture. Oil and dirt can cause damage and premature aging of the lamp. In the event that the lamp is touched or becomes dirty, clean the lamps with an alcohol wipe.

The cleaning of internal and external optical lenses and/or mirrors must be carried out periodically to optimize light output. Cleaning frequency depends on the environment in which the fixture operates: damp, smoky or particularly dirty surrounding can cause greater accumulation of dirt on the unit's optics. Clean with soft cloth using normal glass cleaning fluid. - Always dry the parts carefully. - Clean the external optics at least every 20 days. Clean the internal optics at least every 30/60 days.

## Returns Procedure

Returned merchandise must be sent prepaid and in the original packing, call tags will not be issued. Package must be clearly labeled with a Return Merchandise Authorization Number (RA #). Products returned without an RA # will be refused. Call CHAUVET and request RA # prior to shipping the fixture. Be prepared to provide the model number, serial number and a brief description of the cause for the return. Be sure to properly pack fixture, any shipping damage resulting from inadequate packaging is the customer's responsibility. CHAUVET reserves the right to use its own discretion to repair or replace product(s). As a suggestion, proper UPS packing or double-boxing is always a safe method to use.

## Claims

Damage incurred in shipping is the responsibility of the shipper; therefore the damage must be reported to the carrier upon receipt of merchandise. It is the customer's responsibility to notify and submit claims with the shipper in the event that a fixture is damaged due to shipping. Any other claim for items such as missing component/part, damage not related to shipping, and concealed damage, must be made within seven (7) days of receiving merchandise.

## General Troubleshooting

Symptom	Solution(s)	Applies to			
		Lights	Foggers & Snow	Controllers	Dimmers & Chaser
Auto shut off	Check fan thermal switch reset	✓			
Beam is very dim or not bright	Clean optical system or replace lamp Check 220/110v switch for proper setting	✓			
Breaker/Fuse keeps blowing	Check total load placed on device				✓
Chase is too slow	Check users manual for speed adjustment	✓		✓	✓
Device has no power	Check for power on Mains. Check device's fuse. (internal and/or external)	✓		✓	✓
Fixture is not responding	Check DMX Dip switch settings for correct addressing Check DMX cables Check polarity switch settings	✓			
Fixture is on but there is no movement to the audio	Make sure you have the correct audio mode on the control switches. If audio provided via ¼" jack, make sure a live audio signal exists Adjust sound sensitivity knob	✓		✓	✓
Lamps cuts off sporadically	Possible bad lamp or fixture is overheating. Lamp may be at end of its life.	✓			
Light will not come on after power failure	Some discharge lamps require a cooling off period before the electronics in the fixture can kick start it again, wait 5 to 10 minutes before powering up	✓			
Loss of signal	Use only DMX cables Install terminator Note: Keep DMX cables separated from power cables or black lights.	✓	✓	✓	✓
Motor movements are jerky or jumpy	Possible bad motor driver or sensors Check polarity switch on controller	✓		✓	
Moves slow	Check 220/110v switch for proper setting	✓			
No flash	Re-install bulb, may have shifted in shipping	✓			
No light output	Check slip ring & brushes for contact Install bulb Call service technician	✓			
Relay will not work	Check reset switch Check cable connections				✓
Remote does not work	Make sure connector is firmly connected to device	✓	✓		
Stand alone mode	All CHAUVET lighting fixtures featuring stand-alone functions do not require additional settings, simply power the fixture and it will automatically enter into this mode	✓			
Unit wobbles when rotating	Check for damages possibly incurred during shipping	✓			

## Technical Specifications

### WEIGHT & DIMENSIONS

<b>(ART-150W)</b> .....	
Length.....	203 mm (8 in)
Width.....	330 mm (13 in)
Height.....	457 mm (18 in)
Weight.....	12.7 Kg (28 lbs)
<b>(ART-252W)</b> .....	
Length.....	266.7 mm (10.5 in)
Width.....	381 mm (15 in)
Height.....	533.4 mm (21 in)
Weight.....	21.77 Kg (48 lbs)

### POWER

Power settings (internal tap).....	115V 60 Hz or 230V 50 Hz
AC input.....	3 prongs IEC 60320 C14
European version.....	240V 50 Hz
Current draw (ART-150W).....	(peak 180W @ 120V), (inrush 352W @ 120V)
Current draw (ART-252W).....	(peak 266W @ 120V), (inrush 520W @ 120V)

### LAMP (ART-150W)

CDM150.....	5000 hr, 4200K, 150W
-------------	----------------------

### LAMP (ART-252W)

CHAUVET US-HSD-250.....	2000 hr, 6000K, 250W
Philips MSD-250/2.....	2000 hr, 6500K, 250W
Philips MSD-200.....	2000 hr, 5600K, 200W

### PHOTO OPTIC

Beam Angle (ART-150W).....	30°
Beam Angle (ART-252W).....	45°

### THERMAL

Maximum ambient temperature.....	50° (122° F)
----------------------------------	--------------

### CIRCUIT PROTECTION

ART-150 Fuse 1.....	3A 250V Fast Blow (PCB)
ART-150 Fuse 2.....	7A 250V Fast Blow (Mains)
ART-252.....	6A Magnetic Circuit Breaker with GFI

### CONTROL & PROGRAMMING

Data input.....	locking 3-pin XLR male socket
Data output.....	locking 3-pin XLR female socket
Data pin configuration.....	pin 1 shield, pin 2 (-), pin 3 (+)
Protocols.....	DMX-512 USITT
DMX Channels.....	1

### ORDERING INFORMATION

Spectrum™ 150W.....	ART-150W
Spectrum™ 252W.....	ART-252W
Fuse 3A 250V.....	P170FUSE003
Fuse 7A 250V.....	P170FUSE007

### OPTIONS

Spectrum Color™.....	ART-1CON
----------------------	----------

## Technical Support

Address:	Service Dept. 3000 N 29 <sup>th</sup> Ct, Hollywood, FL 33020 (U.S.A.)
Support (Email):	<a href="mailto:tech@chauvetlighting.com">tech@chauvetlighting.com</a>
Telephone:	(954) 929-1115 - (Press 4)
Fax:	(954) 929-5560 - (Attention: Service)
Website:	<a href="http://www.chauvetlighting.com">http://www.chauvetlighting.com</a>