

# CH-W28 Tripod Stand with Casters

*USER MANUAL*



CHAUVET, 3000 N 29<sup>th</sup> Ct, Hollywood, FL 33020 U.S.A  
(800) 762-1084 – (954) 929-1115  
FAX (954) 929-5560  
[www.chauvetlighting.com](http://www.chauvetlighting.com)

# BEFORE YOU BEGIN

## What is included

- 1 x CH-W28 Tripod Stand
- Mounting plate
- 3 x rubber caps
- 3 x locking casters
- Manual
- Warranty Card

## Unpacking Instructions

Immediately upon receiving a product, carefully unpack the carton, check the contents to ensure that all parts are present, and have been received in good condition. Notify the shipper immediately and retain packing material for inspection if any parts appear damaged from shipping or the carton itself shows signs of mishandling. Save the carton and all packing materials. In the event that a product must be returned to the factory, it is important that the product be returned in the original factory box and packing

## Caution

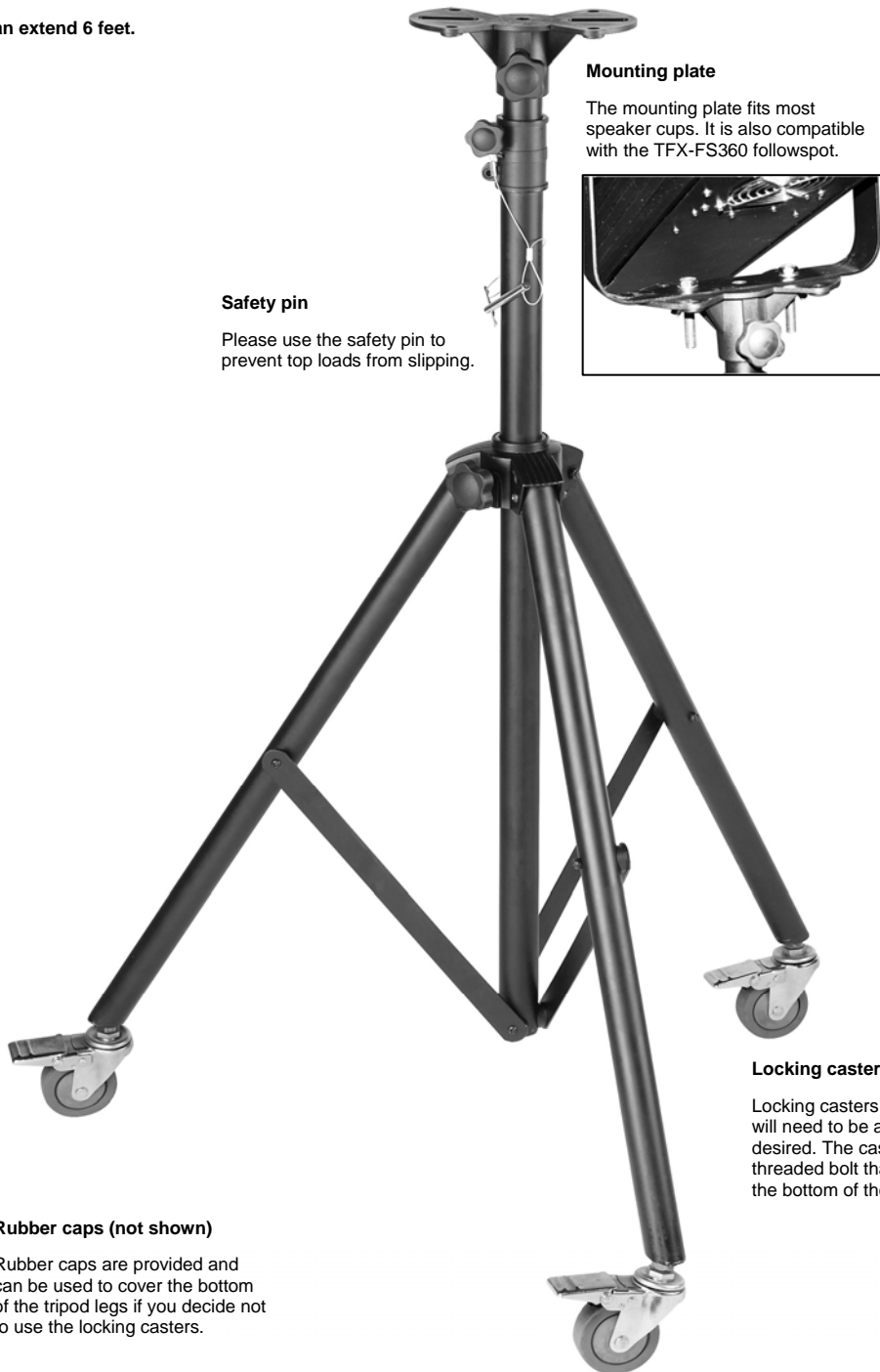
- This tripod is intended for use in flat surfaces.
- Maximum Load should not exceed 65lbs.
- Maximum height should not extend 6 feet.
- Always use the safety pins provided.
- Spread tripod legs so as to prevent tip over from sudden movements.
- Take care to not over tighten knobs.



CHAUVET, 3000 N 29<sup>th</sup> Ct, Hollywood, FL 33020 U.S.A  
(800) 762-1084 – (954) 929-1115  
FAX (954) 929-5560  
[www.chauvetlighting.com](http://www.chauvetlighting.com)

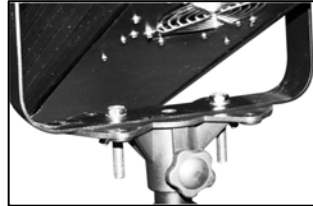
# ASSEMBLY

Tripod can extend 6 feet.



### Mounting plate

The mounting plate fits most speaker cups. It is also compatible with the TFX-FS360 followspot.



### Safety pin

Please use the safety pin to prevent top loads from slipping.

### Locking casters

Locking casters come loose and will need to be assembled if desired. The casters have a threaded bolt that will screw into the bottom of the tripod leg.

### Rubber caps (not shown)

Rubber caps are provided and can be used to cover the bottom of the tripod legs if you decide not to use the locking casters.