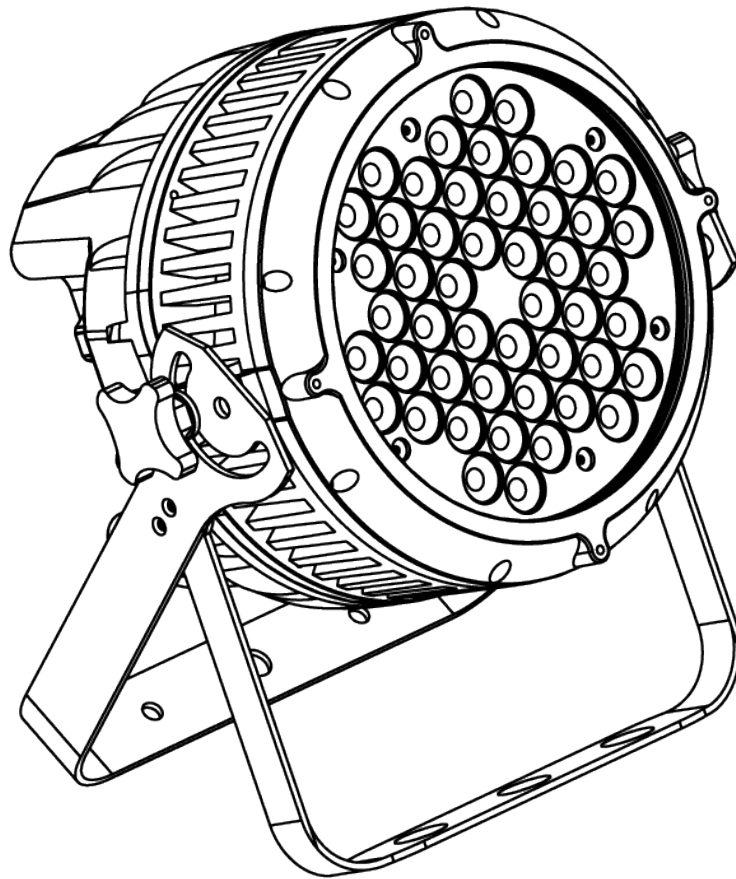


COLORADO™ 2

User Manual




CHAUVET®

Edition Notes

The COLORado™ 2 User Manual Rev. 03b covers the description, safety precautions, installation, programming, operation, and maintenance of the COLORado™ 2 fixture. CHAUVET® released this edition of the COLORado™ 2 User Manual Rev. 03b in September 2010.

Trademarks

CHAUVET® is a registered trademark of CHAUVET & Sons Inc. (d/b/a CHAUVET® or Chauvet). The CHAUVET® logo in its entirety including the Chauvet name and the dotted triangle, and all other trademarks on this manual pertaining to services, products or marketing statements (example: It's Green Thinking™) are owned or licensed by CHAUVET®. Any other product names, logos, brands, company names, and other trademarks featured or referred to within this document are the property of their respective trademark holders.

Copyright Notice

CHAUVET® owns the content of this user manual in its entirety, including but not limited to pictures, logos, trademarks, and resources.

© Copyright 2010 CHAUVET®

All rights reserved

Electronically published by CHAUVET® in the United States of America

Manual Usage

CHAUVET® authorizes its customers to download and print this manual for professional information purposes only. CHAUVET® expressly prohibits the usage, copy, storage, distribution, modification, or printing of this manual or its content for any other purpose without its written consent.

Document Printing

For better results, print this document in color, on letter size paper (8.5 x 11 inches), double sided. If using A4 paper (210 x 297 mm), configure your printer to scale the content of this document to A4 paper.

Intended Audience

Any person in charge of installing, operating and/or maintaining the COLORado™ 2 should read the guide that shipped with it as well as this manual in their entirety before installing, operating or maintaining this product.

Disclaimer

CHAUVET® believes that the information contained in this manual is accurate in all respects. However, CHAUVET® assumes no responsibility for any error or omissions in this document. CHAUVET® reserves the right to revise this document and to make changes from time to time in the content hereof without obligation of CHAUVET® to notify any person or company of such revision or changes. This does not constitute in any way a commitment by CHAUVET® to make such changes. CHAUVET® may issue a revision of this manual or a new edition of it to incorporate such changes.

CHAUVET® Publications Hot Line

If you have any comments about the accuracy of this document or general suggestions regarding how we can improve it, please call us at (800) 762-1084 (US callers) or +1-954-929-1115 (international callers). You can download the latest versions of all CHAUVET® products' manuals from www.chauvetlighting.com.

Document Revision

The COLORado™ 2 User Manual Rev. 03b supersedes all previous versions of this manual. Please discard any older versions of this manual you may have, whether in printed or electronic format, and replace them with this version.

Author	Editor	Manager	PD Manager
O. Desmonteix	D. Coupe	M. Graham	F. Sellers

Product at a Glance











Use on Dimmer		Auto Programs	
Outdoor Use		Auto-ranging Power Supply	
Sound Activated		Replaceable Fuse	
DMX		User Serviceable	
Master/Slave		Duty Cycle	

Table of Contents

1. Before You Begin	1
What is Included	1
Unpacking Instructions	1
Typographic Conventions	1
Icon Meaning.....	1
Safety Notes.....	2
Expected LED Lifespan	2
2. Introduction	3
Product Description	3
Features.....	3
<i>Additional Features</i>	3
<i>Options</i>	3
DMX Channel Summary	4
Product Overview	5
3. Setup	6
AC Power	6
<i>AC Plug</i>	6
<i>Power Linking</i>	6
<i>Fuse Replacement</i>	6
DMX Linking.....	6
<i>DMX Connection</i>	6
Master/Slave Linking	7
ID Addressing.....	7
Lens Assembly / Replacement.....	7
Mounting	8
<i>Orientation</i>	8
<i>Rigging</i>	8
4. Operation	9
Control Panel Description	9
Control Options	9
Programming.....	9
<i>DMX Personality</i>	9
<i>DMX Control Without ID Addressing</i>	9
<i>DMX Control With ID Addressing</i>	10
<i>Static Color</i>	10
<i>Auto Programs</i>	10
<i>Edit Customs</i>	10
<i>Master/Slave</i>	11
<i>RGB to White</i>	11
<i>Power Setting</i>	11
<i>Dimmer Curves</i>	11
<i>Control Panel Lock</i>	12
<i>Program Upload</i>	12
<i>Reset</i>	12
<i>Whites Setting</i>	12
<i>White Balance</i>	13
STAG Notes	13
<i>Master Dimmer</i>	13
<i>Red, Green & Blue, & White Color Selection</i>	13
<i>Color Macros</i>	13
<i>Strobe</i>	13
<i>ID Address Selection</i>	13
<i>Auto</i>	13
<i>Dimmer Speed</i>	13



Menu Map	14
DMX Values	15
<i>STAG</i>	15
<i>ARC1</i>	16
<i>ARC1 + D</i>	16
<i>ARC2</i>	16
<i>ARC2 + D</i>	16
<i>ARC2 + S</i>	17
<i>HSV</i>	17
5. Technical Information	18
General Maintenance	18
Troubleshooting Guide	19
Exploded View	20
Photometrics	21
Returns Procedure	22
Claims	22
Contact Us	22
Technical Specifications	23

1. Before You Begin

What is Included

- One COLORado™ 2
- One IP66 to Edison plug (US) power cable
- One IP66 power extension cable
- One IP66 signal extension cable
- One IP66 to DMX input cable
- One IP66 to DMX output cable
- One barn doors frame
- One Warranty Card
- One Quick Start Guide

Unpacking Instructions




Immediately upon receiving this product, carefully unpack it and check the container in which you received it. Make sure that you have received all the parts indicated above and that they are all in good condition. If the material inside the container (this product and any other accessory included with it) appears damaged from shipping, or if the container shows signs of mishandling, notify the shipper immediately. In addition, retain the container and all the packing material for inspection.

See the *Claims* section in the *Technical Information* chapter.

Typographic Conventions

Convention	Meaning
1~512	A range of values
50/60	A set of mutually exclusive values in the text
[10]	A DIP switch to be configured
<i>Claims</i>	A new term, or a section or chapter in this document
"COLORado™ UM"	The name of another publication or manual
<ENTER>	A key to be pressed on the fixture's control panel
Settings	A menu option that can be selected but not modified
MENU > Settings	A sequence of menu options to be followed
[1~10]	A range of menu values of which one can be selected
Yes/No	A set of mutually exclusive menu options to choose
ON	A value to be entered or selected

Icon Meaning

Icons	Meaning
	This icon indicates critical installation, configuration, or operation information. Failure to comply with this information may render the fixture partially or completely inoperative, damage third-party equipment, or cause harm to the user.
	This icon indicates important installation or configuration information. Failure to comply with this information may prevent the fixture from functioning correctly.
	This icon indicates useful, although non-critical information.



The term "DMX" used throughout this document refers to the USITT DMX512-A transmission protocol.

Safety Notes

Please read the following notes carefully because they include important safety information about the installation, usage, and maintenance of this product. It is important to read all these notes before starting to work with this product.



There are no user serviceable parts inside the COLORado™ 2. Any reference to servicing this unit you may find from now on in this User Manual will only apply to properly CHAUVET® certified technicians. Do not open the housing or attempt any repairs unless you are one of them.



Please refer to all applicable local codes and regulations for proper installation of the COLORado™ 2.



Keep this manual for future consultation. If you sell the COLORado™ 2 to another user, make sure that they also receive this manual.

Personal Safety

- Avoid direct eye exposure to the light source(s) while they are on.
- Always disconnect this product from its power source before servicing.
- Always connect this product to a grounded circuit to avoid the risk of electrocution.
- Do not touch this product's housing when operating because it may be very hot.

Mounting and Rigging

- This product is for outdoor use (IP66). However, do not submerge it.
- Make sure there are no flammable materials close to this product while operating.
- When hanging this product, always secure it to a fastening device using a safety chain (not provided).

Power and Wiring

- Always make sure that you are connecting this product to the proper voltage, as per the specifications in this manual or on the product's sticker.
- Never connect this product to a dimmer pack or rheostat.
- Make sure the product's housing or cable are not cracked, crimped, or damaged.
- Never disconnect the fixture by pulling or tugging on the power cable.

Operation

- Do not operate this fixture if you see damage on the housing, lenses, or cables; have the damaged parts replaced by an authorized technician at once.
- Maximum ambient temperature (Ta) is 104° F (40° C). Do not operate the fixture at a higher temperature.
- In case of a serious operating problem, stop using this product immediately!



In the unlikely event that your COLORado™ 2 may require service, please contact CHAUVET® Technical Support.

Expected LED Lifespan

LEDs gradually decline in brightness over time, mostly because of heat. Packaged in clusters, LEDs exhibit higher operating temperatures than in ideal or singular optimum conditions. For this reason, using all color LEDs at their fullest intensity significantly reduces the LEDs' lifespan. Under normal conditions, this lifespan can be of 40,000 to 50,000 hours. If extending this lifespan expectancy is vital, lower the operational temperature by improving fixture ventilation and reducing the external temperature. In addition, limiting the overall projection intensity may also help to extend the LEDs life.

2. Introduction

Product Description

The COLORado™ 2 is an RGBW wash light based on 48 LEDs, suitable for indoor and outdoor applications. It consists of a single pod with a double bracket mounting yoke. The fixture comes with four short pigtails terminated in proprietary 3-pin IP66 connectors. These pigtail cables enter the fixture's housing through independent IP66 gland nuts. The functions of these cables are AC Input, AC Output (power linking), DMX Input, and DMX Output. The COLORado™ 2 uses a display-based control panel for programming functions.

Features

- 3, 4, 5, 6, or 11-channel DMX, RGBW LED wash light (with ID addressing)
- Operating modes (personalities)
 - 3-channel: RGB control
 - 3-channel: HSV control (hue, saturation, and value)
 - 4-channel: RGBW control
 - 4-channel: RGB, dimmer
 - 5-channel: RGBW, dimmer
 - 6-channel: RGBW, dimmer, strobe
 - 11-channel: RGBW, ID, dimmer, strobe, macro, auto/custom, dimmer speed, auto speed
- RGBW color mixing with or without DMX controller
- Color temperature presets (3,200~10,000 K)
- Built-in automated programs via DMX
- Recall custom programs via DMX

Additional Features

- High-power, 2 and 3 W (750 and 1,000 mA) LEDs
- Ingress Protection: IP66
- Additional power output: max 7 units @ 120 V
- Adjustable barn doors to direct output (includes gel frame)
- LED display with lock-out feature
- Power and Data extension cables (3.3 feet., 1 m)

Options

- COLORado Controller (COLOR-CON)
- Optical systems: 15° (installed), 30° (CL20X30)
- Top hat (C2TOP)
- 16.4 ft (5 m) power extension cable (IP5POWER)
- 16.4 ft (5 m) signal extension cable (IP5SIG)

DMX Channel Summary

STAG	DMX Channel	Function
	1	Dimmer
2	Red	
3	Green	
4	Blue	
5	White	
6	Color Macro + White Balance + HyperColor™	
7	Strobe	
8	Auto and Custom Programs	
9	Auto Speed Adjust	
10	Dimmer Speed	
11	ID Address	

ARC1	DMX Channel	Function
	1	Red
2	Green	
3	Blue	

AR1 + D	DMX Channel	Function
	1	Dimmer
2	Red	
3	Green	
4	Blue	

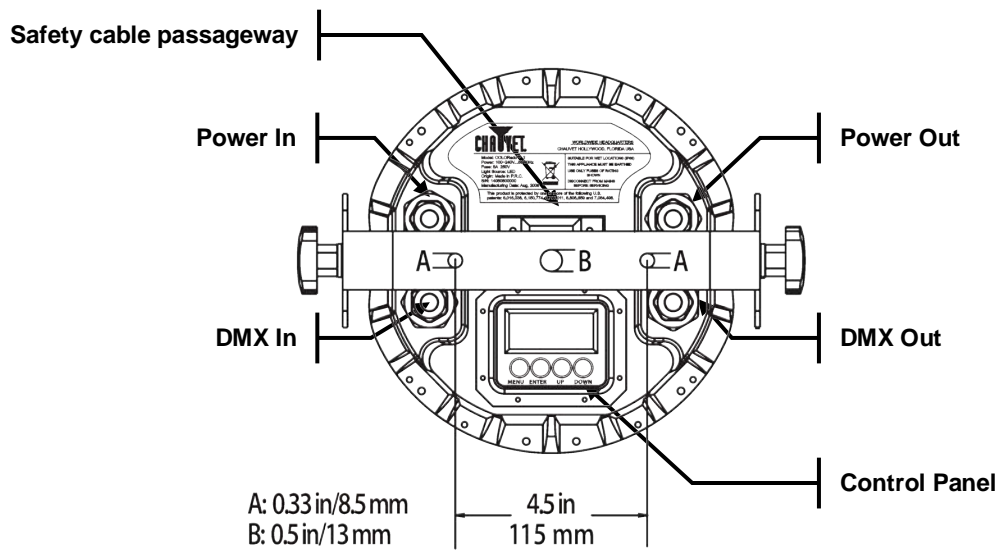
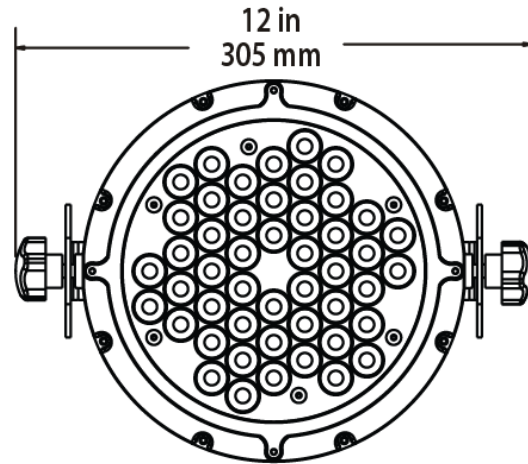
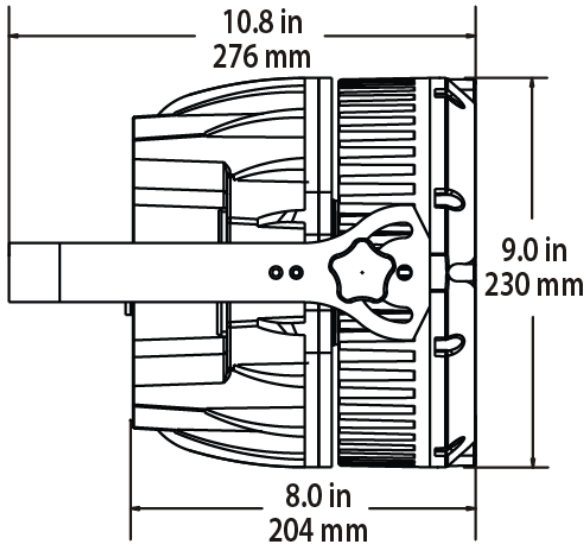
ARC2	DMX Channel	Function
	1	Red
2	Green	
3	Blue	
4	White	

AR2 + D	DMX Channel	Function
	1	Dimmer
2	Red	
3	Green	
4	Blue	
5	White	

AR2 + S	DMX Channel	Function
	1	Dimmer
2	Red	
3	Green	
4	Blue	
5	White	
6	Strobe	

HSV	DMX Channel	Function
	1	Hue
2	Saturation	
3	Value	

Product Overview



3. Setup

AC Power

The COLORado™ 2 has an auto-ranging power supply that can work with an input voltage range of 100–240 VAC, 50/60 Hz.

Make sure that you are connecting this product to the proper voltage, as per the specifications in this guide, the product's user manual, or on the product's sticker.



Always connect the COLORado™ 2 to a protected circuit with an appropriate electrical ground to avoid the risk of electrocution or fire.

To determine the power requirements for the COLORado™ 2 see the label affixed to the side of the fixture. Alternatively, you may refer to the corresponding specifications chart in the *Technical Information* chapter of this manual.

The listed current rating indicates the maximum current draw during normal operation. For more information, you may download the “Sizing the Circuit Breakers” document from the CHAUVET® Web site.



Never connect the COLORado™ 2 to a rheostat (variable resistor) or dimmer circuit, even if the rheostat or dimmer channel serves only as a 0 to 100% switch.

AC Plug

The power input cord that comes with the COLORado™ 2 has a proprietary IP66 connector on one end and on the other end an Edison plug (US market). If the power cord that came with your fixture has no plug or you need to change the Edison plug, use the table below to wire the new plug.

Connection	Wire (US)	Wire (Europe)	Screw Color	IP66 Pin
AC Live	Black	Brown	Yellow or Brass	1
AC Neutral	White	Blue	Silver	2
AC Ground	Green/Yellow	Green/Yellow	Green	3

Power Linking

The COLORado™ 2 supports power linking for up to seven other COLORado™ 2 fixtures at 120 VAC. Each COLORado™ 2 has two pigtailed terminated in proprietary IP66 connectors for Power In and Power Out. The fixture comes with a power input cord and a power linking cord.

Fuse Replacement

The COLORado™ 2 fixture has no external fuse for the user to change. However, it does have an internal fuse that only an authorized CHAUVET® technician should change.

DMX Linking

If you are using the COLORado™ 2 with a DMX controller, you can link them using a regular DMX serial connection. If using other DMX compatible fixtures with the COLORado™ 2, it is possible to control them individually with a single DMX controller.

It is also possible to run several DMX compatible fixtures synchronized without a DMX controller in a master/slave operating mode.

If you are not familiar with the DMX standard, or if you need information about the DMX cables needed to link the COLORado™ 2 fixture to a DMX controller, you may download the “DMX Primer” document from the CHAUVET® Web site.



The *DMX Channel Summary* section in this chapter contains a brief description of what COLORado™ 2 features have a DMX channel assigned to them. The *Operation* chapter of this manual provides a detailed list of the COLORado™ 2 DMX channel assignments.

DMX Connection

The COLORado™ 2 uses the standard DMX data connection for its DMX modes, **STAG**, **ARC1**, **AR1 + D**, **ARC2**, **AR2 + D**, **AR2 + S** and **HSV**. You will find information about these DMX modes in the *Introduction* chapter (brief description), the *Operation Instructions* chapter (configuration details), and the *DMX Values* section (individual channel values).

Master/Slave Linking

The Master/Slave mode allows one COLORado™ 2 (the master) running a preconfigured program to control several other COLORado™ 2 fixtures (the slaves) without requiring a DMX controller. In this mode, all the slave fixtures will operate in unison with the master fixture.

When in Master/Slave mode, the COLORado™ 2 units link to each other by using the standard DMX connection.

If you are not familiar with the Master/Slave connectivity, please refer to the DMX Primer and DMX Connectivity sections in the *Appendix* chapter of this manual.



The *Operation* chapter of this manual provides detailed instructions on how to configure the Master and Slave units.

ID Addressing

The COLORado™ 2 uses the ID Addressing feature to increase the number of addressable fixtures in the same DMX universe when in the STAG personality. Refer to the *Operation* chapter in this manual to learn in detail how to configure the COLORado™ 2 fixtures when using ID Addressing.

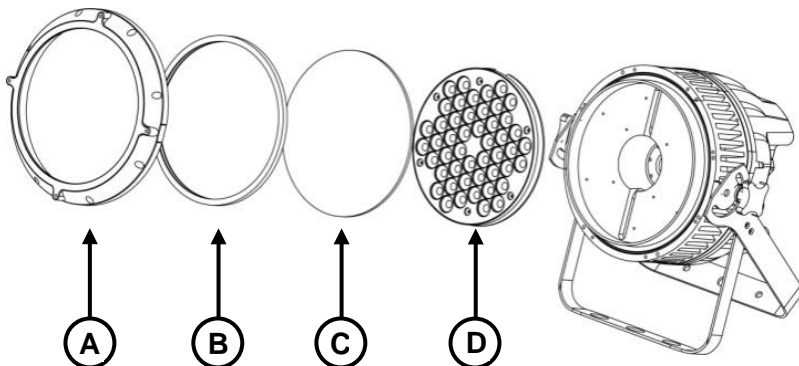
Lens Assembly / Replacement

The COLORado™ 2 comes with the 15° lens assembly pre-installed from the factory. However, there is an optional lens kit (**CL20X30**) available as an accessory, which will alter the beam angle of the fixture to 30°.

Follow the instructions below to change or replace the LED lens assembly.



- **Disconnect the fixture from the AC power before opening it.**
- **The procedure below will give you direct access to the LEDs, which are very fragile. Use maximum care when handling the lenses over the LED assembly.**



- 1) Remove the gel frame holder by removing the four thumbscrews (not shown).
- 2) Remove the front cover (A) by removing the eight Allen screws that hold it in place.
- 3) Remove the seal (B). Use caution, because the glass (C) is loose under this cover and it may fall.
- 4) Remove the glass cover to gain access to the lens assembly (D).
- 5) After removing the glass cover, remove the six Phillips #2 screws that hold the lens assembly in place.
- 6) Remove the existing lens assembly and replace it with the new lens assembly.
- 7) Reverse the process to complete the lens replacement.



After replacing the lenses, make sure that the fixture is completely sealed (IP66 rating) before installing it outdoors. Otherwise, you will void the fixture's warranty.

Mounting

Read the safety notes at the beginning of this guide and follow their recommendations before mounting this product.

Orientation

Always mount this fixture in any safe position while making sure that there is adequate room around it for ventilation.

Make sure to mount this fixture away from any flammable material as indicated in the *Safety Notes*.

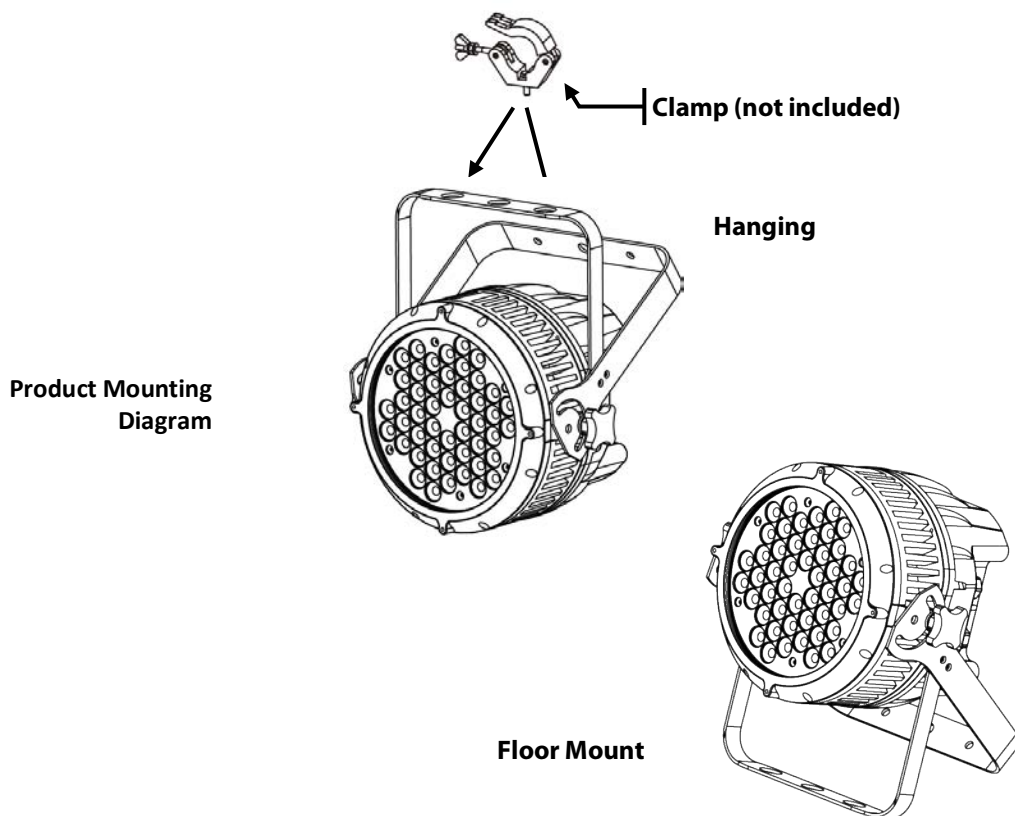
Rigging

CHAUVET® recommends following the general guidelines below when mounting the COLORado™ 2.

- When selecting an installation location, consider ease of access to the fixture for operation, programming adjustments, and routine maintenance.
- Never mount the fixture in places where rain, high humidity, extreme temperature changes, or restricted ventilation may affect it.
- Make sure that the location where you are mounting the fixture can support its weight. Please see the *Technical Specifications* section of this manual for the weight requirement of this fixture.

Procedure

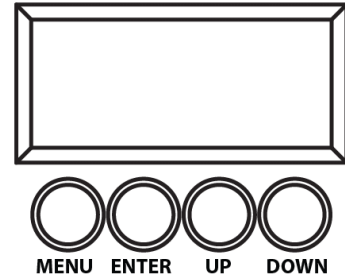
This fixture includes a mounting yoke to which you can attach one or two rigging clamps. You must supply your own “C” or “O” clamps and make sure that they are capable of supporting the weight of this fixture. CHAUVET® recommends using at least two mounting points per fixture.



4. Operation

Control Panel Description

Button	Function
<MENU>	Exits from the current menu or function
<ENTER>	Enables the currently displayed menu or sets the currently selected value into the current function
<UP>	Navigates upwards through the menu list or increases the numeric value when in a function
<DOWN>	Navigates downwards through the menu list or decreases the numeric value when in a function



Control Options

You can set the COLORado™ 2 start address in the 001~512 DMX range. This allows for the control of up to 46 fixtures in the 11-channel STAG personality. In addition, the ID address system allows you to assign up to 66 fixtures within the same DMX address, thus multiplying the number of fixtures you can control within a single universe. You can access the fixture's ID address system from channel 11 when in the STAG personality.



When programming live performances as well as cues that need to trigger on demand or on a time line, program no more than 10 fixtures on ID addressing per DMX channel. This is to remain within a one-second execution time.

Programming

Carry out all the programming procedures indicated below from the control panel. Refer to the *Menu Map* on page 14 to learn how the menu options relate to each other.

DMX Personality

This setting allows the user to choose a particular DMX personality.

- 1) Press <MENU> repeatedly until **PERS** shows; press <ENTER> to accept.
- 2) Use <UP> or <DOWN> to select the desired personality (**STAG**, **ARC1**, **AR1 + D**, **ARC2**, **AR2 + D**, **AR2 + S**, or **HSV**).
- 3) Press <ENTER> to accept.
- 4) Press <MENU> to return to the main level.

DMX Control Without ID Addressing

In this mode, each unit will respond to a unique starting address from the DMX controller. All units with the same starting address will respond at unison.

- 1) Select the **STAG** personality as shown in *DMX Personality*.
- 2) Set the running mode:
 - a) Press <MENU> repeatedly until **RUN** shows; press <ENTER> to accept.
 - b) Use <UP> or <DOWN> to select **DMX**; press <ENTER> to accept.
 - c) Press <MENU> to return to the main level.
- 3) Set the starting address:
 - a) Press <MENU> repeatedly until **DMX** shows; press <ENTER> to accept.
 - b) Use <UP> or <DOWN> to select the starting address (**001~512**).
 - c) Press <ENTER> to accept.
 - d) Press <MENU> to return to the main level.
- 4) Deactivate ID Addressing in each fixture:
 - a) Press <MENU> repeatedly until **SET** shows; press <ENTER> to accept.
 - b) Use <UP> or <DOWN> to select **ID**; press <ENTER> to accept.
 - c) Use <UP> or <DOWN> to select **OFF**; press <ENTER> to accept.
 - d) Press <MENU> twice to return to the main level.



Make sure to deactivate ID Addressing in each fixture when using the STAG personality. Otherwise, unintended results may occur if channel 11 is not set to "0".

Continues on the next page

Continued from previous page

DMX Control With ID Addressing

In this mode, the fixtures with the same DMX starting address will respond to the DMX controller based on the fixture's individual ID address setting. If the user selects ID address "0", all the fixtures with the same DMX address will respond in unison. Otherwise, each fixture will follow the control for its particular ID address.

- 1) Repeat steps 1, 2, and 3 from *DMX Control Without ID Addressing*.
- 2) Activate ID Addressing in each fixture:
 - a) Press <MENU> repeatedly until **SET** shows; press <ENTER> to accept.
 - b) Use <UP> or <DOWN> to select **ID**; press <ENTER> to accept.
 - c) Use <UP> or <DOWN> to select **ON**; press <ENTER> to accept.
 - d) Press <MENU> twice to return to the main level.

Static Color

The Static Color mode allows for permanent RGBW color mixing without a DMX controller.

- 1) Press <MENU> repeatedly until **STAT** shows and press <ENTER> to accept.
- 2) Use <UP> or <DOWN> to select the desired color (**Red, Green, Blue, or White**).
- 3) Press <ENTER> to accept.
- 4) Use <UP> or <DOWN> to select the desired color value (**0~255**).
- 5) Press <ENTER> to accept.
- 6) Repeat for the other colors.
- 7) Use <UP> or <DOWN> to select **Strob**; press <ENTER> to accept.
- 8) Use <UP> or <DOWN> to select the desired frequency (**0~20**).
- 9) Press <MENU> twice to return to the main level.

Auto Programs

Auto programs allow for dynamic RGBW color mixing without a DMX controller. This product has two types of Auto programs, preset (AT. 01~10) and custom (PR. 01~10).

- 1) Press <MENU> repeatedly until **AUTO** shows; press <ENTER> to accept.
- 2) Use <UP> or <DOWN> to select the desired auto program (**AT. 01~10 or PR. 01~10**).
- 3) Press <ENTER> to accept.



You cannot edit preset Auto programs AT. 01~10. However, you can edit the custom Auto programs PR. 01~10 (see *Edit Customs*).

Edit Customs

This setting allows the programming of up to 30 scenes for each of the 10 custom Auto programs, including colors and effects.

- 1) Press <MENU> repeatedly until **EDIT** shows; press <ENTER> to accept.
- 2) Use <UP> or <DOWN> to select the desired auto program (**PR. 01~10**).
- 3) Press <ENTER> to accept.
- 4) Use <UP> or <DOWN> to select the desired scene (**SC. 01~30**).
- 5) Press <ENTER> to accept.
- 6) Use <UP> or <DOWN> to select the desired color or effect (**Red, Green, Blue, White, Strobe, Time, or Fade**).
- 7) Press <ENTER> to accept.
- 8) Repeat for the other colors or effects.
- 9) Press <MENU> to return to the Scene level.
- 10) Repeat for the other scenes.
- 11) Press <MENU> to return to the main level once done.

Continues on the next page

Continued from previous page

Master/Slave

The Master/Slave mode allows a group of COLORado™ 2 fixtures (the slaves) to execute simultaneously the same program (Auto or Custom) that another COLORado™ 2 fixture (the master) is executing. This mode works without a DMX controller.

- 1) Set the Master Unit:
 - a) Set the running mode to **DMX** as explained in “DMX Control Without ID Addressing”.
 - b) Select an Auto program as explained in “Auto Programs”.
- 2) Set the slave units:
 - a) Press <MENU> repeatedly until **RUN** shows; press <ENTER> to accept.
 - b) Use <UP> or <DOWN> to select **SLAV**; press <ENTER> to accept.
 - c) Press <MENU> to return to the main level.



The fixture that runs an auto program automatically becomes the master. There can be only one master fixture in the Master/Slave connection.



Do not connect a DMX controller to the fixtures in the Master/Slave connection. Otherwise, the signals from the controller may affect the slave fixtures.



If you want to use a DMX controller, set all the fixtures to DMX and to the same starting address.

RGB to White

The RGBW to White setting determines how the COLORado™ 2 generates the white color based on the RGB settings.

- 1) Press <MENU> repeatedly until **SET** shows; press <ENTER> to accept.
- 2) Use <UP> or <DOWN> to select **RGBW**; press <ENTER> to accept.
- 3) Use <UP> or <DOWN> to select **ON** or **OFF**; press <ENTER> to accept.
- 4) Press <MENU> to exit twice to exit to the main level.



When RGBW is set to **ON**, setting Red, Green, and Blue to “255” will create a balanced white, albeit with a reduced output.

When RGBW is set to **OFF**, setting Red, Green, and Blue to “255” will produce the maximum output, although the resulting white will be imbalanced.

Power Setting

The Power Setting determines the power drawn by the COLORado™ 2.

- 1) Press <MENU> repeatedly until **SET** shows; press <ENTER> to accept.
- 2) Use <UP> or <DOWN> to select **POW**; press <ENTER> to accept.
- 3) Use <UP> or <DOWN> to select **HIGH** or **NORM**; press <ENTER> to accept.



When **POWER** is set to **HIGH**, the light output is maximum and the power draw is 150 W.

When **POWER** is set to **NORM**, the light output is reduced and the power draw is 90 W.

Dimmer Curves

This setting determines the output of the COLORado™ 2 based on the position of the Red, Green, Blue, White, and Dimmer faders.

- 1) Press <MENU> repeatedly until **SET** shows; press <ENTER> to accept.
- 2) Use <UP> or <DOWN> to select **Dim**; press <ENTER> to accept.
- 3) Use <UP> or <DOWN> to select a dimmer curve (**Off**, **Dim1**, **Dim2**, **Dim3**, or **Dim4**).
- 4) Press <ENTER> to accept.



When **Dim** is set to “**Off**”, the output is proportional (linear) to the Dimmer and RGB channel values.

When **Dim** is set to “**Dim1**” through “**Dim4**”, the output follows the Dimmer and RGB channel values based on the corresponding dimmer curve, being Dim1 the fastest and Dim4 the slowest.

Continues on the next page

Continued from previous page

Control Panel Lock

This setting allows the user to activate or disable the control panel lock, which keeps non-authorized personnel from changing the fixture's settings.

- 1) Press <MENU> repeatedly until **KEY** shows; press <ENTER> to accept.
- 2) Use <UP> or <DOWN> to select **On** or **Off**; press <ENTER> to accept.



When the control panel lock is active, the fixture will prompt the user to enter the fixture password after 30 seconds of control panel inactivity or after turning on the fixture.

After being prompted to enter the fixture password:

- 1) Press <UP>, <DOWN>, <UP>, <DOWN>, and <ENTER>



The above fixture password is unchangeable.

Program Upload

This option allows the user to copy the custom programs of one COLORado™ 2 fixture onto other COLORado™ 2 fixtures by using the Master/Slave method.

- 1) Configure and connect the fixtures in a Master/Slave arrangement, where the master unit has the custom programs you want to transfer onto the slave units.
- 2) At the master unit, press <MENU> repeatedly until **SET** shows; press <ENTER> to accept.
- 3) Use <UP> or <DOWN> to select **UPLD**; press <ENTER> to accept.
- 4) When prompted, enter the fixture access password as shown in *Control Panel Lock*.
- 5) Wait for the upload process to finish before disconnecting the fixtures.



During and after the upload, the master and slave units will visually indicate the status of the process, as follows:

- **Yellow** means that the upload is running.
- **Red** means that the upload failed due to an error.
- **Green** means that the upload completed successfully.

Reset

This setting allows the user to reset the COLORado™ 2 fixture to its default values, including the custom programs.

- 1) Press <MENU> repeatedly until **SET** shows; press <ENTER> to accept.
- 2) Use <UP> or <DOWN> to select **REST**; press <ENTER> to accept.
- 3) When prompted, enter the master access password as shown in *Control Panel Lock*.
- 4) Wait for the reset process to finish.

Whites Setting

This setting allows the user to select and edit the temperature of the white colors used in the Macro DMX channel.

- 1) Press <MENU> repeatedly until **CAL1** shows; press <ENTER> to accept.
- 2) Use <UP> or <DOWN> to select a white color (**WT. 1~11**).
- 3) Press <ENTER> to accept.

This selects the white color as it is. To edit it, do as follows:

- 4) Use <UP> or <DOWN> to select a color (**Red, Green, Blue, or White**).
- 5) Press <ENTER> to accept.
- 6) Use <UP> or <DOWN> to select a color value (**0~255**).
- 7) Repeat for the other colors.
- 8) Press <MENU> to exit once done.

Continues on the next page

Continued from previous page

White Balance

This setting allows the user to select the white color shown by the COLORado™ 2 when the DMX controller's Red, Green, and Blue faders are set to "255".

- 1) Press <MENU> repeatedly until **CAL2** shows; press <ENTER> to accept.
- 2) Press <MENU> again at **RGBW**.
- 3) Use <UP> or <DOWN> to select a color (**Red, Green, or Blue**).
- 4) Use <UP> or <DOWN> to select a color value (**0-255**).
- 5) Repeat for the other colors.
- 6) Press <MENU> to exit once done.

STAG Notes

These notes intend to clarify the way the STAG DMX personality works.

Master Dimmer

- Channel 1 controls the intensity of the currently projected color.
- When the slider is at the highest position (**255**) the intensity of the output is at its maximum.

Red, Green & Blue, & White Color Selection

- Channels 2, 3, 4, and 5 control the intensity ratio of each of the Red, Green, Blue, and White LEDs.
- When the slider is at the highest position (255) the intensity of each color is at its maximum.
- You can combine channels 2, 3, 4, and 5 to create over 16 million colors.

Color Macros

- Channel 6 selects the required Color Macro.
- Channel 6 has priority over channels 2, 3, 4, and 5.
- Channel 1 controls the intensity of the Color Macro.

Strobe

- Channel 7 controls the strobe frequency (not the intensity) of channels 2-6.
- Strobe 1 is with RGB in-step.
- Strobe 2 is with RGB out-step.
- Strobe 3 is a pulse strobe (fast on/slow off).
- Strobe 4 is a pulse strobe (slow on/fast off).
- Channel 7 strobos channels 2, 3, 4, and 5 when not running macros, allowing the individual faders (R, G, B, and W) as well as channel 1 (D) to control the output intensity.
- Channel strobos channel 6 when running macros, allowing channel 6 to select the macro and channel 1 to controls the output intensity.

ID Address Selection

- Channel 9 selects the target ID address.
- Each independent DMX address may have up to 66 independent ID addresses.
- An ID address of **0** will activate all ID address locations.

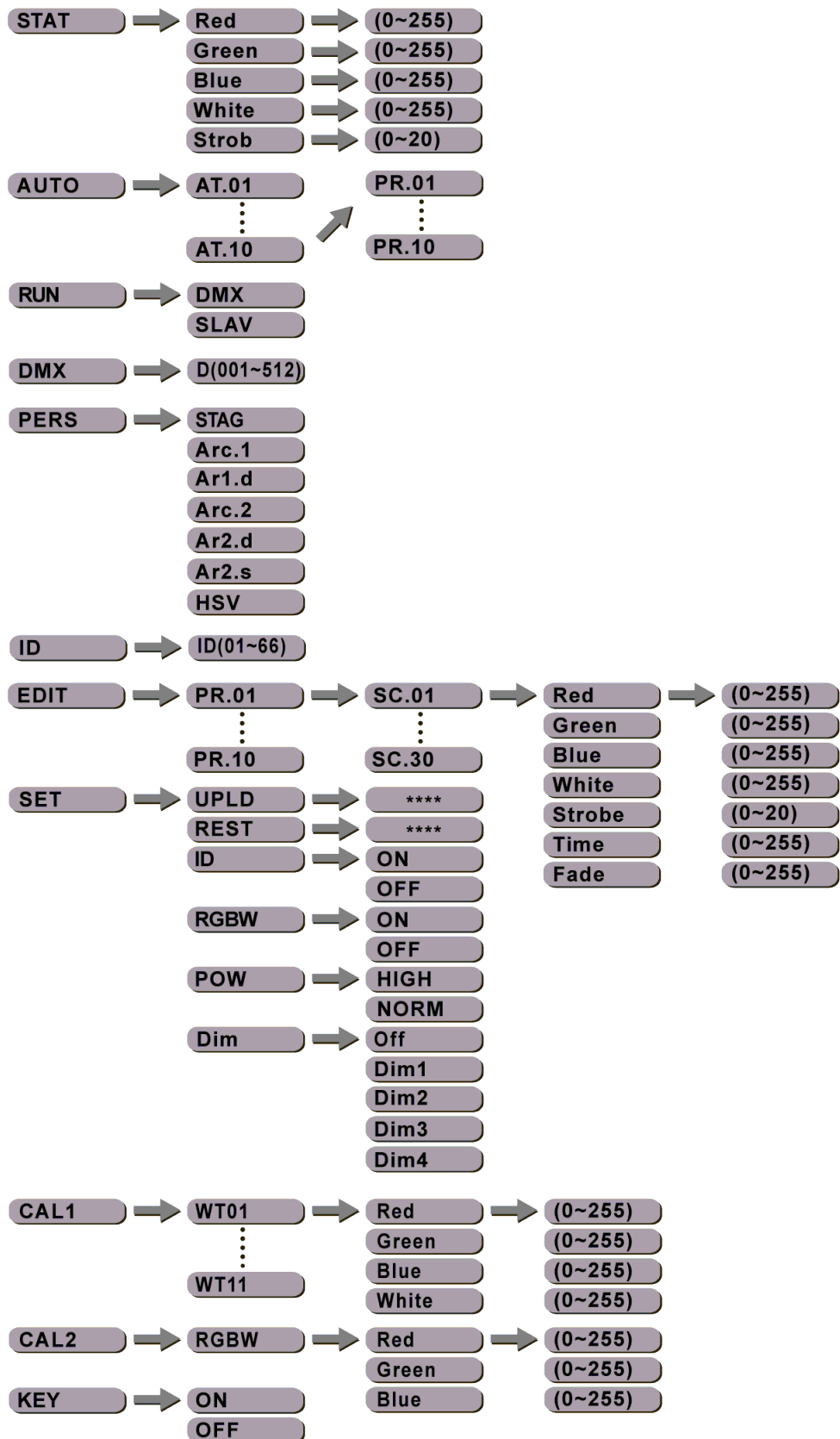
Auto

- Channel 8 selects the preset Auto programs **AT. 01-10** or the custom Auto programs **PR. 01-10**.
- When activating the custom Auto programs **PR. 01-10**, it is possible to control the Step Time and Fade Time parameters using channels 2 and 3 respectively.
- Channel 8 has priority over channels 2, 3, 4, 5, 6, and 7.

Dimmer Speed

- Channel 10 is for selecting the dimmer mode and speed. When **Dimmer** is set to **Off**, RGBW and Master Dimmer are linear. Otherwise, Dim1 is the fastest dimmer curve, while Dim4 is the slowest.

Menu Map



DMX Values

STAG	Channel	Function	Value	Percent/Setting
	1	Master Dimmer	000 ⇔ 255	0~100%
	2	Red	000 ⇔ 255	0~100% (or Step Time when playing CUS. 01~10)
	3	Green	000 ⇔ 255	0~100% (or Fade Time when playing CUS. 01~10)
	4	Blue	000 ⇔ 255	0~100%
	5	White	000 ⇔ 255	0~100%
	6	Color Macro	000 ⇔ 005	No function
			006 ⇔ 020	High Power (only when in NORMAL power mode)
			021 ⇔ 030	No Function
			031 ⇔ 050	Red 100% / Green Up / Blue 0%
			051 ⇔ 070	Red Down / Green 100% / Blue 0%
			071 ⇔ 090	Red 0% / Green 100% / Blue Up
			091 ⇔ 110	Red 0% / Green Down / Blue 100%
			111 ⇔ 130	Red Up / Green 0% / Blue 100%
			131 ⇔ 150	Red 100% / Green 0% / Blue Down
			151 ⇔ 170	Red 100% / Green Up / Blue Up
			171 ⇔ 190	Red Down / Green Down / Blue 100%
			191 ⇔ 200	Red 100% / Green 100% / Blue 100% / White 100%
			201 ⇔ 205	White 1: 3,200 K
			206 ⇔ 210	White 2: 3,400 K
			211 ⇔ 215	White 3: 4,200 K
			216 ⇔ 220	White 4: 4,900 K
	221 ⇔ 225	White 5: 5,600 K		
	226 ⇔ 230	White 6: 5,900 K		
	231 ⇔ 235	White 7: 6,500 K		
	236 ⇔ 240	White 8: 7,200 K		
	241 ⇔ 245	White 9: 8,000 K		
	246 ⇔ 250	White 10: 8,500 K		
	251 ⇔ 255	White 11: 10,000 K		
	7	Strobe	000 ⇔ 010	No function
			011 ⇔ 255	0~20 Hz
	8	Auto	000 ⇔ 020	No function
			021 ⇔ 030	Auto 1
			031 ⇔ 040	Auto 2
			041 ⇔ 050	Auto 3
			051 ⇔ 060	Auto 4
			061 ⇔ 070	Auto 5
			071 ⇔ 080	Auto 6
			081 ⇔ 090	Auto 7
			091 ⇔ 100	Auto 8
			101 ⇔ 110	Auto 9
			111 ⇔ 120	Auto 10
			121 ⇔ 130	Custom 1
			131 ⇔ 140	Custom 2
			141 ⇔ 150	Custom 3
			151 ⇔ 160	Custom 4
			161 ⇔ 170	Custom 5
	171 ⇔ 180	Custom 6		
	181 ⇔ 190	Custom 7		
	191 ⇔ 200	Custom 8		
	201 ⇔ 210	Custom 9		
	211 ⇔ 220	Custom 10		
	221 ⇔ 255	No function		
	9	Auto Speed	000 ⇔ 255	0~100% (Only works if AUTO 01~10 is playing)
	10	Dimmer Speed	000 ⇔ 009	Use dimmer speed from control panel
			010 ⇔ 029	Linear dimmer
			030 ⇔ 069	Non-linear dimmer 1 (fastest)
			070 ⇔ 129	Non-linear dimmer 2
			130 ⇔ 189	Non-linear dimmer 3
	190 ⇔ 255	Non-linear dimmer 4 (slowest)		

Continues on the next page

Continued from previous page

STAG (Cont.)	Channel	Function	Value	Setting	Value	Setting	Value	Setting
	11	ID Address	000 ⇔ 009	All IDs	212	ID 23	235	ID 46
			010 ⇔ 019	ID 1	213	ID 24	236	ID 47
			020 ⇔ 029	ID 2	214	ID 25	237	ID 48
			030 ⇔ 039	ID 3	215	ID 26	238	ID 49
			040 ⇔ 049	ID 4	216	ID 27	239	ID 50
			050 ⇔ 059	ID 5	217	ID 28	240	ID 51
			060 ⇔ 069	ID 6	218	ID 29	241	ID 52
			070 ⇔ 079	ID 7	219	ID 30	242	ID 53
			080 ⇔ 089	ID 8	220	ID 31	243	ID 54
			090 ⇔ 099	ID 9	221	ID 32	244	ID 55
			100 ⇔ 109	ID 10	222	ID 33	245	ID 56
			110 ⇔ 119	ID 11	223	ID 34	246	ID 57
			120 ⇔ 129	ID 12	224	ID 35	247	ID 58
			130 ⇔ 139	ID 13	225	ID 36	248	ID 59
			140 ⇔ 149	ID 14	226	ID 37	249	ID 60
			150 ⇔ 159	ID 15	227	ID 38	250	ID 61
			160 ⇔ 169	ID 16	228	ID 39	251	ID 62
			170 ⇔ 179	ID 17	229	ID 40	252	ID 63
			180 ⇔ 189	ID 18	230	ID 41	253	ID 64
			190 ⇔ 199	ID 19	231	ID 42	254	ID 65
			200 ⇔ 209	ID 20	232	ID 43	255	ID 66
		210	ID 21	233	ID 44			
		211	ID 22	234	ID 45			

ARC1	Channel	Function	Value	Percent/Setting
	1	Red	000 ⇔ 255	0~100%
	2	Green	000 ⇔ 255	0~100%
	3	Blue	000 ⇔ 255	0~100%

ARC1 + D	Channel	Function	Value	Percent/Setting
	1	Master Dimmer	000 ⇔ 255	0~100%
	2	Red	000 ⇔ 255	0~100%
	3	Green	000 ⇔ 255	0~100%
	4	Blue	000 ⇔ 255	0~100%

ARC2	Channel	Function	Value	Percent/Setting
	1	Red	000 ⇔ 255	0~100%
	2	Green	000 ⇔ 255	0~100%
	3	Blue	000 ⇔ 255	0~100%
	4	White	000 ⇔ 255	0~100%

ARC2 + D	Channel	Function	Value	Percent/Setting
	1	Master Dimmer	000 ⇔ 255	0~100%
	2	Red	000 ⇔ 255	0~100%
	3	Green	000 ⇔ 255	0~100%
	4	Blue	000 ⇔ 255	0~100%
	5	White	000 ⇔ 255	0~100%

Continues on the next page

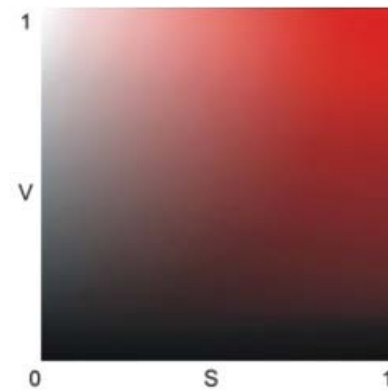
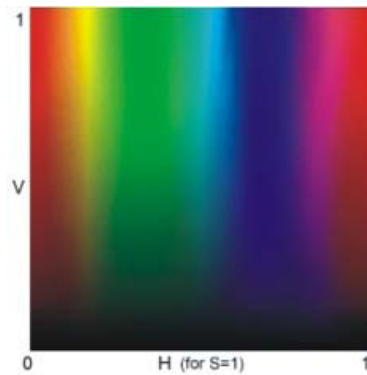
Continued from previous page

ARC2 + S	Channel	Function	Value	Percent/Setting
	1	Master Dimmer	000 ⇔ 255	0~100%
	2	Red	000 ⇔ 255	0~100%
	3	Green	000 ⇔ 255	0~100%
	4	Blue	000 ⇔ 255	0~100%
	5	White	000 ⇔ 255	0~100%
	6	Strobe	000 ⇔ 010 011 ⇔ 255	No function 0~20 Hz

HSV	Channel	Function	Value	Percent/Setting
	1	Hue	000 ⇔ 255	0~100%
	2	Saturation	000 ⇔ 255	0~100%
	3	Value	000 ⇔ 255	0~100%



In HSV mode, *Hue* refers to the visible light, such as red, yellow, and cyan, etc. *Saturation* is the dominance of hue in the color; when saturation is at 100%, the color is at its purest. *Value* is the color's brightness; when value is at 100%, the color is at its brightest.



5. Technical Information

General Maintenance

To maintain optimum performance and minimize wear, the user should clean the light fixtures frequently. Usage and environment are contributing factors in determining the cleaning frequency. As a rule, the user should clean the fixtures at least twice a month. Dust build up reduces light output performance and can cause overheating. This can lead to reduced light source life and increased mechanical wear.

CHAUVET® recommends cleaning the fixture's external optics with a soft cloth using normal glass cleaning fluid.

To clean a fixture, follow the recommendations below:

- Unplug the fixture from power.
- Wait until the fixture is cold.
- Use a vacuum (or dry compressed air) and a soft brush to remove dust collected on the external vents and reachable internal components.
- Clean all external optics and glass surfaces with a mild solution of glass cleaner or isopropyl alcohol, and a soft, lint free cotton cloth or a lens cleaning tissue.
- Apply the solution directly to the cloth or tissue and drag any dirt and grime to the outside of the lens.
- Gently polish the external glass surfaces until they are free of haze and lint.
- When cleaning units with a movable mirror, you should keep the contact with the mirror surface to a minimum to avoid scratching or damaging it.



Always dry the external optics and glass surfaces carefully after cleaning them.



If the fixture has one or more fans, refrain from spinning them using compressed air.

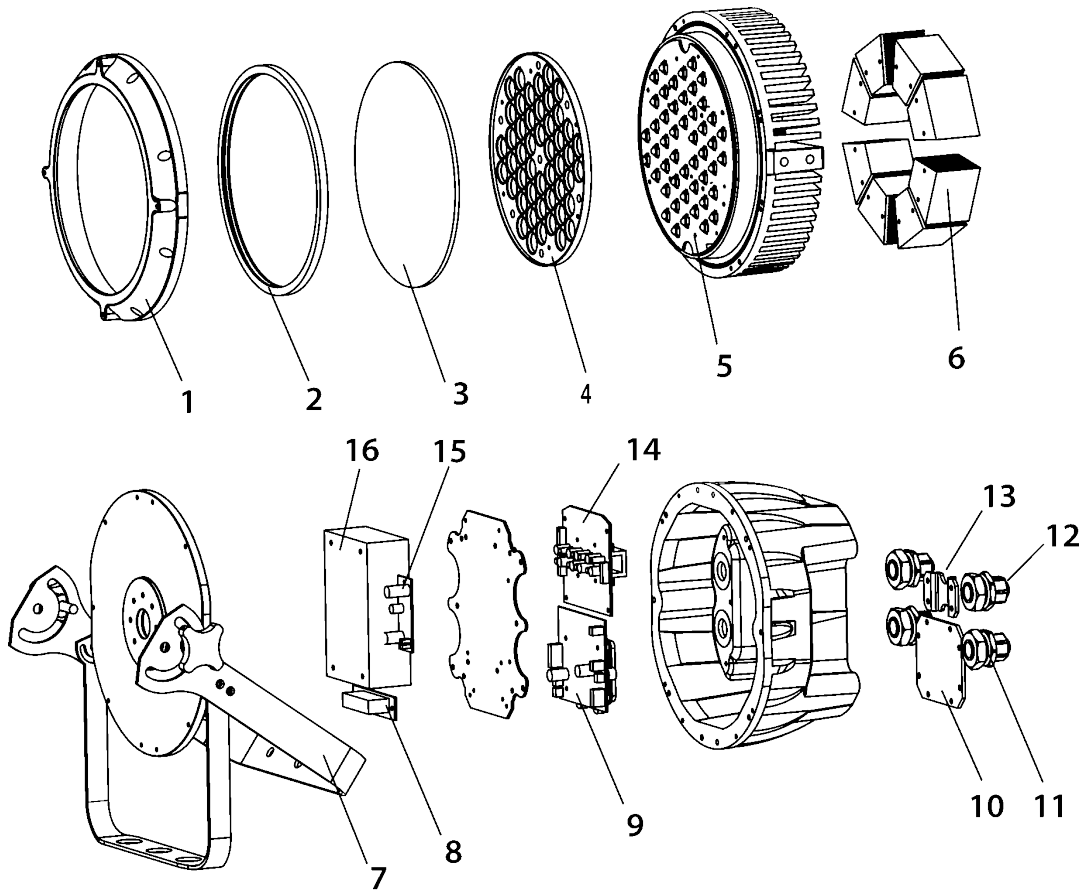
Troubleshooting Guide

Symptom	Cause(s)	Action(s)
General low light intensity	<ul style="list-style-type: none"> • Dirty lens assembly • Misaligned lens assembly 	<ul style="list-style-type: none"> • Clean the fixture regularly • Install lens assembly properly
A single LED (Red, Green, Blue, or White), does not illuminate	<ul style="list-style-type: none"> • Faulty LED • Faulty LED board 	<ul style="list-style-type: none"> • Replace the LED board • Replace the LED board
A group LEDs (Red, Green, Blue, or White), does not illuminate	<ul style="list-style-type: none"> • Faulty LED • Faulty LED board • Faulty LED driver 	<ul style="list-style-type: none"> • Replace the LED board • Replace the LED board • Replace the LED driver board
None of the LEDs are illuminating	<ul style="list-style-type: none"> • Faulty LED PCB • Faulty LED Driver PCB • Faulty main PCB 	<ul style="list-style-type: none"> • Replace the LED board • Replace the LED driver board • Replace the Display / Main board
Breaker/Fuse keeps blowing	<ul style="list-style-type: none"> • Excessive circuit load • Short circuit along the power wires 	<ul style="list-style-type: none"> • Check total load placed on the electrical circuit • Check for a short in the electrical wiring
Fixture does not power up	<ul style="list-style-type: none"> • No power • Loose or damaged power cord • Blown internal fuse • Faulty internal power supply 	<ul style="list-style-type: none"> • Check for power on power outlet • Check power cord • Replace internal fuse (2 A, 250 V) • Replace internal power supply
Fixture does not respond to DMX	<ul style="list-style-type: none"> • Wrong DMX addressing • Damaged DMX cables • Wrong polarity on the controller • Loose DMX cables • Faulty DMX interface • Faulty Main PCB 	<ul style="list-style-type: none"> • Check Control Panel and unit addressing • Check DMX cables • Check polarity switch settings on the controller • Check cable connections • Replace Main PCB • Replace Main PCB
DMX signal problems	<ul style="list-style-type: none"> • Non DMX cables • Bouncing signals • Long cable / low level signal • Too many fixtures • Interference from AC wires 	<ul style="list-style-type: none"> • Use only DMX compatible cables • Install terminator as suggested • Install an optically coupled DMX splitter right after fixture with strong signal • Install an optically coupled DMX splitter after unit #32 • Keep DMX cables separated from power cables or black lights



If you still experience technical problems after trying the above solutions, contact CHAUVET® Technical Support.

Exploded View



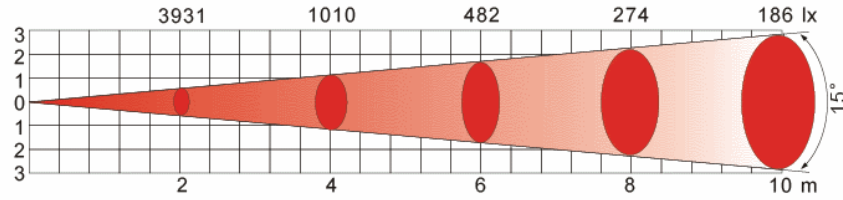
Item	Description
1	Front cover
2	Rubber seal
3	Front tempered glass
4	Lens complete set
5	LED board
6	Heat sink
7	Bracket
8	Power connection board
9	Display / Main board
10	Display protection plate
11	Cable strain relief/watertight seal-DMX
12	Cable strain relief/watertight seal-power
13	Safety cable plate
14	LED driver board
15	Voltage regulator board (5 V)
16	Power supply (24 V)

Not Shown

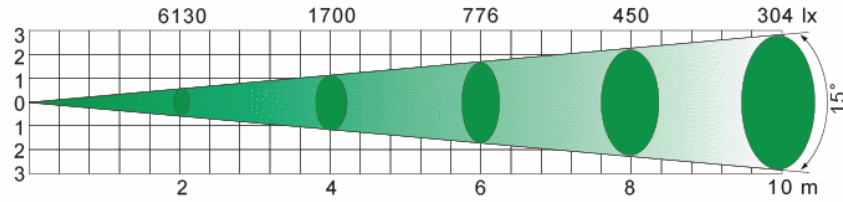
Display/Master IC chip

Photometrics

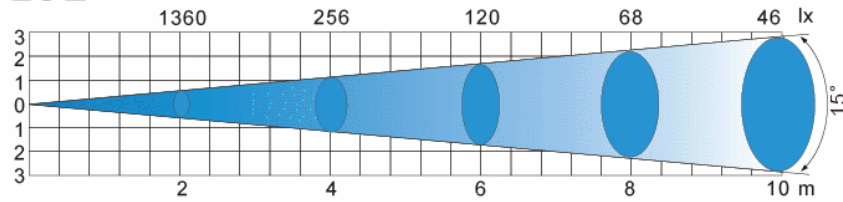
RED



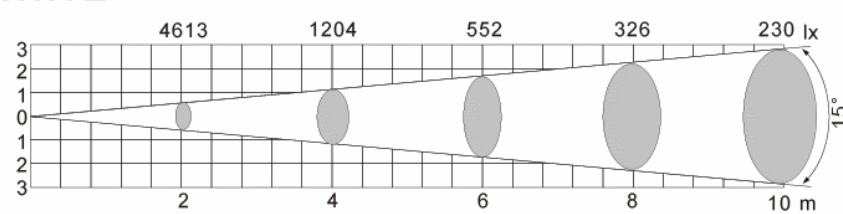
GREEN



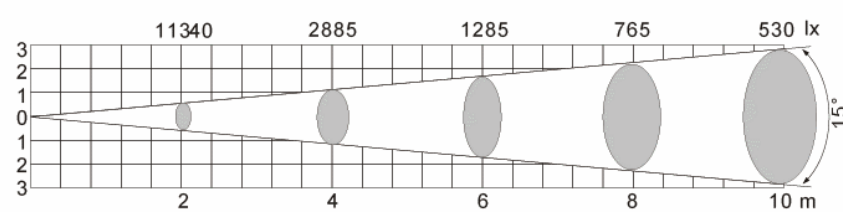
BLUE



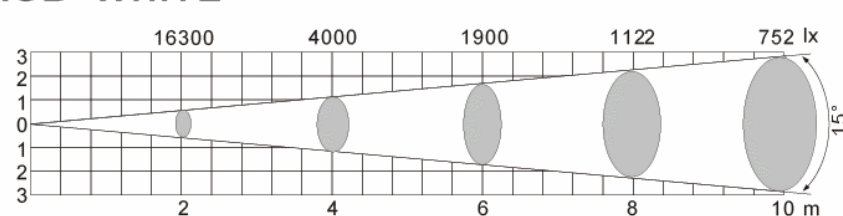
WHITE



RGB



RGB+WHITE



Returns Procedure

The user must send the merchandise prepaid, in the original box, and with its original packing and accessories. CHAUVET® will not issue call tags.

Call CHAUVET® and request a Return Merchandise Authorization Number (RMA #) before shipping the fixture. Be prepared to provide the model number, serial number, and a brief description of the cause for the return.

The user must clearly label the package with a Return Merchandise Authorization Number (RMA #). CHAUVET® will refuse any product returned without an RMA #.



DO NOT write the RMA # directly on the box. Instead, write it on a properly affixed label.

Once you are given an RMA #, please include the following information on a piece of paper inside the box:

- Your name
- Your address
- Your phone number
- The RMA #
- A brief description of the symptoms

Be sure to pack the fixture properly. Any shipping damage resulting from inadequate packaging will be the customer's responsibility. As a suggestion, proper UPS packing or double-boxing is always a safe method to use.



CHAUVET® reserves the right to use its own discretion to repair or replace returned product(s).

Claims

The carrier is responsible for any damage incurred during shipping to this product or any part that shipped with it. Therefore, if the received merchandise appears to have damages caused during shipping, the customer must submit the damage report and any related claims with the carrier, not CHAUVET®. The customer must submit the report upon reception of the damaged merchandise. Failure to do so in a timely manner may invalidate the customer's claim with the carrier.

For other issues such as missing components or parts, damage not related to shipping, or concealed damage, the customer must make claims to CHAUVET® within seven (7) days of receiving the merchandise.

Contact Us

World Headquarters

General Information

CHAUVET®
 5200 NW 108th Avenue
 Sunrise, FL 33351
 Voice: (954) 929-1115
 Fax: (954) 929-5560
 Toll free: (800) 762-1084

Technical Support

Voice: (954) 929-1115 (Press 4)
 Fax: (954) 756-8015

World Wide Web

www.chauvetlighting.com

Technical Specifications

Weight & Dimensions

Length 10.8 in (276 mm)
 Width 12 in (305 mm)
 Height 9.0 in (230 mm)
 Weight 20 lbs (9.1 kg)

Power

Auto-ranging 100–240 V, 50/60 Hz
 Fuse (internal) 2 A, 250 V
 Power Consumption 179.4 W (1.43 A) max @ 120 V; 178.9 W (0.78 A) max @ 230 V
 Inrush Power 0.75 A @ 120 V; 0.81 A @ 230 V
 Power Factor 1.00 @ 120 V; 0.99 @ 230 V
 Power Linking 7 units max @ 120 V; 14 units max @ 230 V

Light Source

Type 2 and 3 W, 50,000 hrs LEDs
 Configuration 48 units
 Red 12 units, 2 W, 750 mA
 Green 12 units, 3 W, 1,000 mA
 Blue 12 units, 3 W, 1,000 mA
 White 12 units, 3 W, 1,000 mA
 Refresh rate 400 Hz

Photo Optic

Luminance @ 2 m (with included 15° degree lenses) 16,000 lux
 Beam Angle (with included 15° degree lenses) 11°
 Field Angle (with included 15° degree lenses) 23°

Thermal

Cooling Natural convection
 Maximum ambient temperature 104° F (40° C)

Control & Programming

Data input Locking 3-pin XLR male (cable adapter)
 Data output Locking 3-pin XLR female (cable adapter)
 Data pin configuration Pin 1 shield, pin 2 (-), pin 3 (+)
 Protocols USITT DMX512-A
 DMX Channels 3, 4, 5, 6, 11

Ordering Information

COLORado™ 2 COLORADO2

Warranty Information

Warranty 2-year limited warranty



CHAUVET®
5200 NW 108th Avenue
Sunrise, FL 33351
(800) 762-1084 – (954) 929-1115
FAX (954) 929-5560
www.chauvetlighting.com

COLORado™ 2 User Manual Rev. 03b
September 2010

