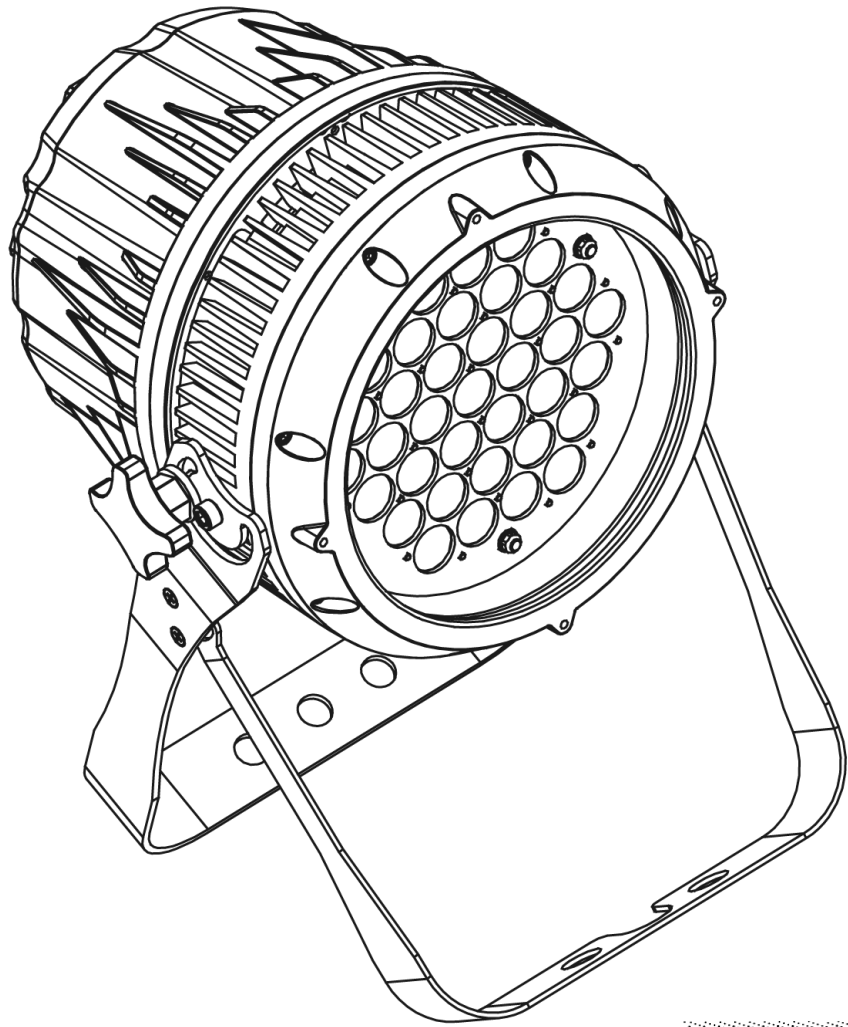


# COLORADO™ ZOOM CW TOUR

## User Manual



**CHAUVET®**

*It's Green Thinking®*

## Edition Notes

The COLORado™ Zoom Tour CW User Manual Rev. 06 covers the description, safety precautions, installation, programming, operation, and maintenance of the COLORado™ Zoom Tour CW. CHAUVET® released this edition of the COLORado™ Zoom Tour CW User Manual in February 2012.

## Trademarks

CHAUVET® is a registered trademark of CHAUVET & Sons Inc. (d/b/a CHAUVET® or Chauvet). The CHAUVET® logo in its entirety including the CHAUVET name and the dotted triangle, and all other trademarks in this manual pertaining to services, products, or marketing statements (example: It's Green Thinking™) are owned or licensed by CHAUVET®. Any other product names, logos, brands, company names, and other trademarks featured or referred to within this document are the property of their respective trademark holders.

## Copyright Notice

CHAUVET® owns the content of this user manual in its entirety, including but not limited to pictures, logos, trademarks, and resources.

© Copyright 2012 CHAUVET®. All rights reserved.

Electronically published by CHAUVET® in the United States of America.

## Manual Usage

CHAUVET® authorizes its customers to download and print this manual for professional information purposes only. CHAUVET® expressly prohibits the usage, copy, storage, distribution, modification, or printing of this manual or its content for any other purpose without written consent from CHAUVET®.

## Document Printing

For better results, print this document in color, on letter size paper (8.5 x 11 inches), double sided. If using A4 paper (210 x 297 mm), configure your printer to scale the content accordingly.

## Intended Audience

Any person in charge of installing, operating, and/or maintaining this product should completely read through the guide that shipped with the product, as well as this manual, before installing, operating, or maintaining this product.

## Disclaimer

CHAUVET® believes that the information contained in this manual is accurate in all respects. However, CHAUVET® assumes no responsibility for any errors or omissions in this document. CHAUVET® reserves the right to revise and make changes to the content of this document without obligation that CHAUVET® notify any person or company of such revision or changes. This does not in any way constitute a commitment by CHAUVET® to make such changes. CHAUVET® may issue a revision of this manual or a new edition to incorporate such changes.

## Document Revision

The COLORado™ Zoom Tour CW User Manual Rev. 06 supersedes all previous versions of this manual. Discard any older versions of this manual you may have, whether in printed or electronic format, and replace with this version.

Author	Date	Editor	Date
D. Coupe	2/17/12	S. Graham	2/23/12

# Table of Contents

<b>1. Before You Begin .....</b>	<b>1</b>
What Is Included .....	1
Unpacking Instructions.....	1
Claims .....	1
Typographic Conventions .....	1
Icon Indications .....	1
Product at a Glance .....	2
Safety Notes.....	2
Personal Safety .....	2
Mounting and Rigging.....	2
Power and Wiring .....	2
Operation.....	2
Expected LED Lifespan .....	2
<b>2. Introduction .....</b>	<b>3</b>
Product Description.....	3
Features .....	3
Additional Features.....	3
Product Overview.....	4
Product Dimensions.....	5
<b>3. Setup .....</b>	<b>6</b>
AC Power .....	6
AC Plug .....	6
Power Linking.....	6
DMX Linking.....	7
DMX Modes.....	7
Master/Slave Connectivity .....	7
Mounting .....	8
Orientation .....	8
Rigging .....	8
<b>4. Operation .....</b>	<b>9</b>
Control Panel Description .....	9
Control Options .....	9
Programming.....	9
DMX Personality.....	9
DMX Control.....	10
Loss of Signal Setting.....	10
Static Color .....	11
Master/Slave.....	11
Dimmer Curves.....	11
Control Panel Lock .....	11
Reset .....	12
Whites Setting .....	12
Calibration Lock Out.....	12
Zoom Limit Setting.....	12
Menu Map .....	13
DMX Values .....	14
STD.W .....	14
STD.P .....	14
UNO .....	14
<b>5. Technical Information .....</b>	<b>15</b>
Product Maintenance .....	15

Troubleshooting Guide.....	16
Returns Procedure.....	17
Contact Us .....	17
Technical Specifications .....	18

# 1. Before You Begin

## What Is Included

- One COLORado™ Zoom Tour CW
- One Gel Frame
- One Accessory Holder
- One Neutrik® powerCON® to Edison Plug Input Power Cord
- One Safety Cable
- One Warranty Card
- One Quick Reference Guide

## Unpacking Instructions

Immediately upon receiving this product, carefully unpack and check the container. Make sure you have received all the parts indicated above and all the parts are in good condition.

## Claims

If the container or the material inside the container (the product and included accessories) appear damaged from shipping, or show signs of mishandling, notify the carrier immediately upon receipt, not CHAUVET®. Failure to notify the carrier in a timely manner may invalidate your claim. In addition, keep the container and all the packing material for inspection.




For other issues such as missing components or parts, damage not related to shipping, or concealed damage, file a claim with CHAUVET® within 7 days of receiving the merchandise.

Refer to the [Contact Us](#) section in this manual for addresses and phone numbers.

## Typographic Conventions

Convention	Meaning
1~512	A range of values in the text
50/60	A set of mutually exclusive values in the text
<i>Claims</i>	A new term, another document reference, or section or chapter in this document
<SET>	A button on the product's control panel
Settings	A product function or a menu option
MENU > Settings	A sequence of menu options
1~10	A range of menu values from which to choose in a menu
Yes/No	A set of two mutually exclusive menu options in a menu
ON	A unique value to be entered or selected in a menu

## Icon Indications

Icon	This icon indicates . . .
	Critical installation, configuration, or operation information. Failure to comply with this information may render the product partially or completely inoperative, damage third-party equipment, or cause harm to the user.
	Important installation or configuration information. Failure to comply with this information may prevent the product from functioning correctly.
	Useful information.



The term “DMX” used throughout this manual refers to the USITT DMX512-A transmission protocol.

**Product at a Glance**

Use on Dimmer		Auto Programs	
Outdoor Use		Auto-Ranging Power Supply	
Sound Activated		Replaceable Fuse	
DMX		User Serviceable	
Master/Slave		Duty Cycle	

**Safety Notes**

Read all the following Safety Notes before working with this product. These notes include important information about the installation, usage, and maintenance of this product.



**There are no user-serviceable parts in this product. Any reference to servicing in this User Manual applies only to properly certified CHAUVET® technicians. Do not open the housing or attempt any repairs unless you are certified by CHAUVET®.**



**Please refer to all applicable local codes and regulations for proper installation of this product.**

**Personal Safety**

- Avoid direct eye exposure to the light source while the product is on.
- Always disconnect this product from its power source before servicing.
- Always connect this product to a grounded circuit to avoid the risk of electrocution.
- Do not touch this product's housing when operating because it may be very hot.

**Mounting and Rigging**

- This product is for indoor use only! To prevent risk of fire or shock, do not expose this product to rain or moisture.
- Make sure there are no flammable materials close to this product while it is operating.
- When hanging this product, always secure to a fastening device using a safety cable (included).

**Power and Wiring**

- Always make sure you are connecting this product to the proper voltage, as per the specifications in this manual or on the product's specification label.
- Never connect this product to a dimmer pack or rheostat.
- Never disconnect this product by pulling or tugging on the power cable.

**Operation**

- Do not operate this product if you see damage on the housing, lenses, or cables. Have the damaged parts replaced by an authorized technician at once.
- Do not cover the ventilation slots when operating to avoid internal overheating.
- The maximum ambient temperature is 104° F (40° C). Do not operate this product at a higher temperature.
- In case of a serious operating problem, stop using this product immediately!



**In the unlikely event that your CHAUVET® product may require service, contact CHAUVET® Technical Support.**

**Expected LED Lifespan**

LEDs gradually decline in brightness over time, mostly because of heat. Packaged in clusters, LEDs exhibit higher operating temperatures than in ideal, single LED conditions. For this reason, using clustered LEDs at their fullest intensity significantly reduces the LEDs' lifespan. Under normal conditions, this lifespan can be 40,000 to 50,000 hours. If extending this lifespan is vital, lower the operating temperature by improving the ventilation around the product and reducing the ambient temperature to an optimal operating range. In addition, limiting the overall projection intensity may also help to extend the LEDs' lifespan.

## 2. Introduction

### Product Description

The COLORado™ Zoom Tour CW is a Cool White LED wash light. This product consists of a single module that houses the internal power supply, the control panel, the LED drivers, the LED boards, and motorized moving lenses, as well as the power and signal connectors. The COLORado™ Zoom Tour CW features a variable zoom, which enables the user to change the beam angle of the unit via DMX or control panel, and one mounting bracket that doubles as a floor mount and hanging support bracket.

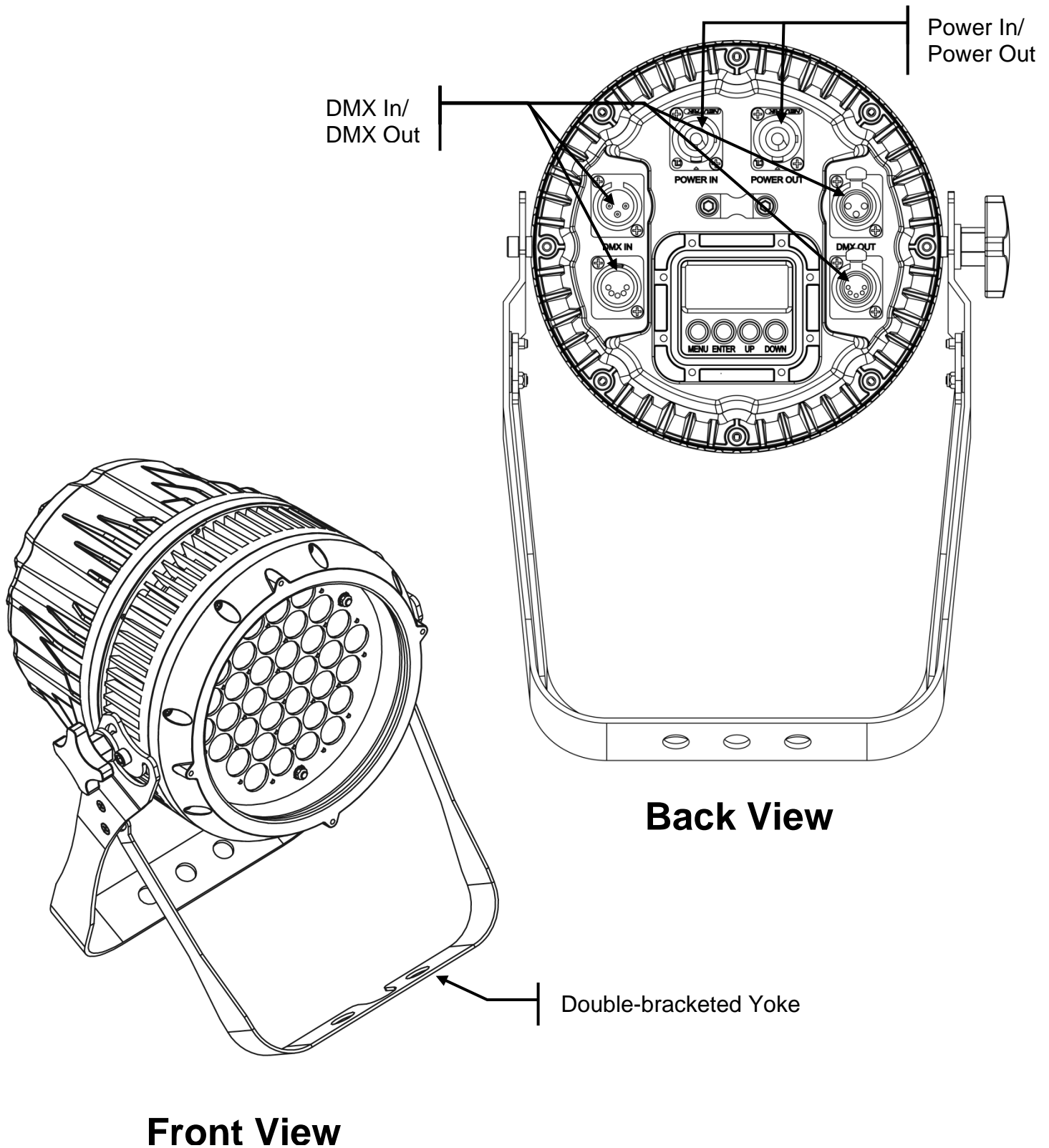
### Features

- 1, 4, or 5-channel DMX control
- Operating modes:
  - 1-channel: Dimmer
  - 4-channel: Dimmer, macro, zoom, zoom reset
  - 5-channel: WW,CW, dimmer, zoom, zoom reset
- Color temperature control with or without DMX control
- 8~27.5° zoom control with or without DMX control
- Cool and warm white LEDs
- Electronic dimmer
- Electronic power supply
- Additional power output: max 7 units @ 120 V
- Gel frame holder (4 mm max. thickness)
- Double-bracketed yoke doubles as floor stand
- Color calibration
- Flicker-free operation for HD Video

### Additional Features

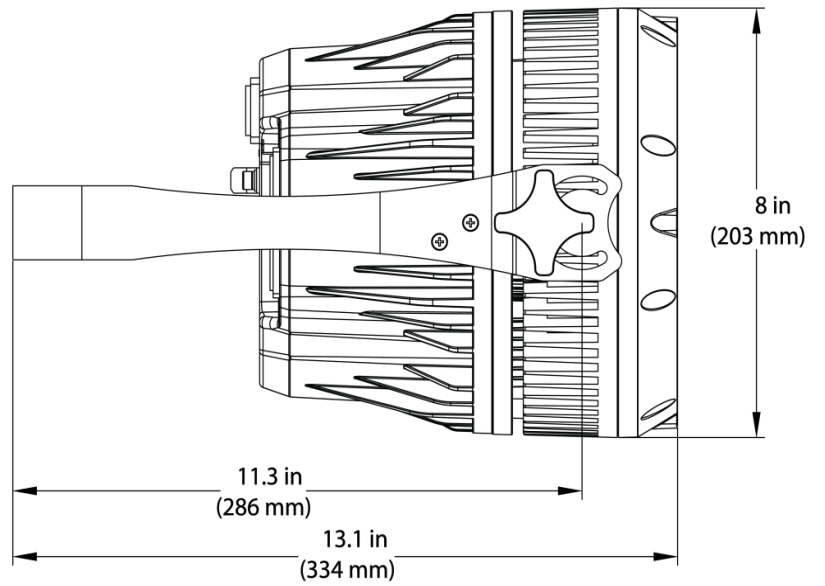
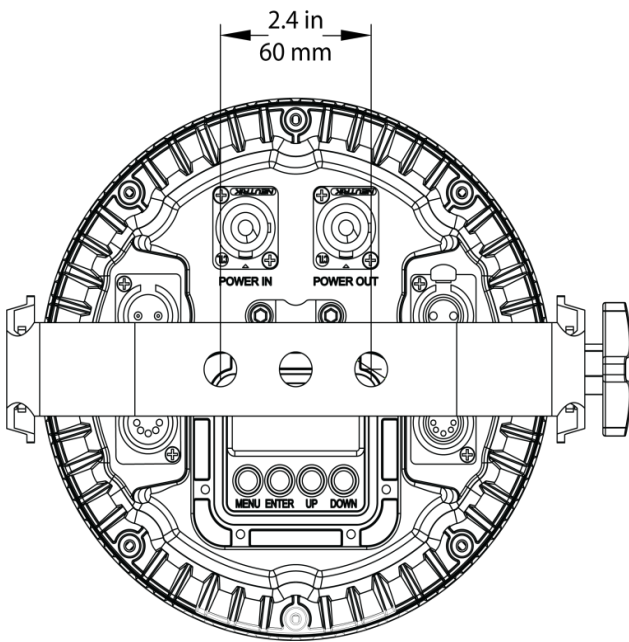
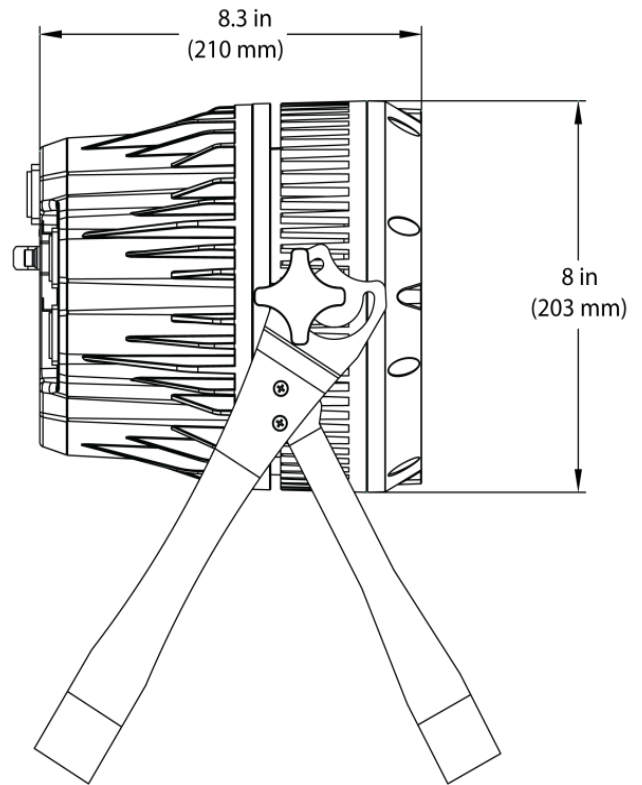
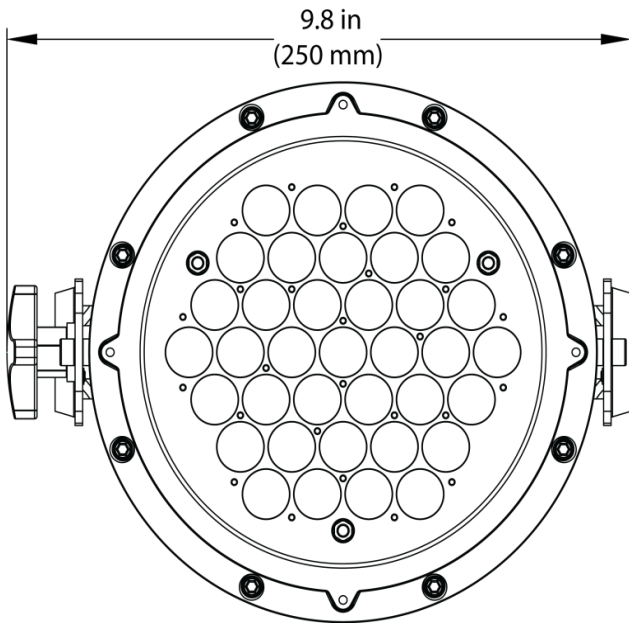
- Five distinct dimming curves
- Neutrik® powerCON® connectors
- 3- and 5-pin DMX input and output connectors
- LCD display with password protection

## Product Overview





### Product Dimensions



## 3. Setup

### AC Power

The COLORado™ Zoom Tour CW has an auto-ranging power supply that works with an input voltage range of 100~240 VAC, 50/60 Hz.

Make sure that you are connecting this product to the proper voltage. To determine the power requirements for the COLORado™ Zoom Tour CW, refer to the specification label affixed to the product or the specifications in this manual.

Refer to the [Technical Specifications](#) chart.



**Always connect this product to a protected circuit with an appropriate electrical ground to avoid the risks of electrocution or fire.**

The listed current rating indicates the maximum current draw during normal operation. For more information, download Sizing the Circuit Breakers from [www.chauvetpro.com](http://www.chauvetpro.com).



**Never connect this product to a rheostat (variable resistor) or dimmer circuit, even if the rheostat or dimmer channel serves only as a 0% to 100% switch.**

### AC Plug

The COLORado™ Zoom Tour CW comes with a power input cord terminated with a Neutrik® powerCON® A connector on one end and an Edison plug on the other end (U.S. market). If the power input cord that came with your product has no plug or you need to change the Edison plug, use the table below to wire the new plug.

Connection	Wire (U.S.)	Wire (Europe)	Screw Color
AC Live	Black	Brown	Yellow or Brass
AC Neutral	White	Blue	Silver
AC Ground	Green/Yellow	Green/Yellow	Green

### Power Linking

The COLORado™ Zoom Tour CW supports power linking. You can power link up to 7 products at 120 VAC, 12 at 208 VAC, or 14 products at 230 VAC. This product comes with a power input cord. This product does not come with a power linking cable; however, a power linking cable is available as an option.

## DMX Linking

You can link the COLORado™ Zoom Tour CW to a DMX controller using a standard DMX serial connection. If using other DMX-compatible products with the COLORado™ Zoom Tour CW, you can control each individually with a single DMX controller.

## DMX Modes

The COLORado™ Zoom Tour CW uses the standard DMX data connection for its 3 DMX personalities, **STD.W**, **STD.P**, and **UNO**.

Refer to the [Introduction](#) chapter for a brief description of these modes.

Refer to the [Operation](#) chapter to learn how to configure the COLORado™ Zoom Tour CW to work in these modes.

The [DMX Values](#) section provides detailed information regarding the DMX modes.

## Master/Slave Connectivity

The Master/Slave mode allows a COLORado™ Zoom Tour CW (the “master product”) to control one or more COLORado™ Zoom Tour CW’s (the “slave products”) without a DMX controller. One COLORado™ Zoom Tour CW becomes the master product when running in Static Color mode.

You must configure each slave product’s control panel to operate in SLAVE mode. During Master/Slave operation, the slave products will operate in unison with the master product.



If you are not familiar with or need more information about DMX standards, master/slave connectivity, or the DMX cables needed to link this product to a DMX controller, download the DMX Primer from [www.chauvetpro.com](http://www.chauvetpro.com).



**DO NOT connect a DMX controller to products operating in Master/Slave mode. The DMX controller signals may interfere with the signals from the master product.**



The [Operation](#) chapter of this manual provides detailed instructions on how to configure products for Master/Slave mode.

## Mounting

Before mounting this product, read and follow the [Safety Notes](#) in this manual.

## Orientation

Always mount this product in a safe position and make sure there is adequate space for ventilation, configuration, and maintenance.

## Rigging

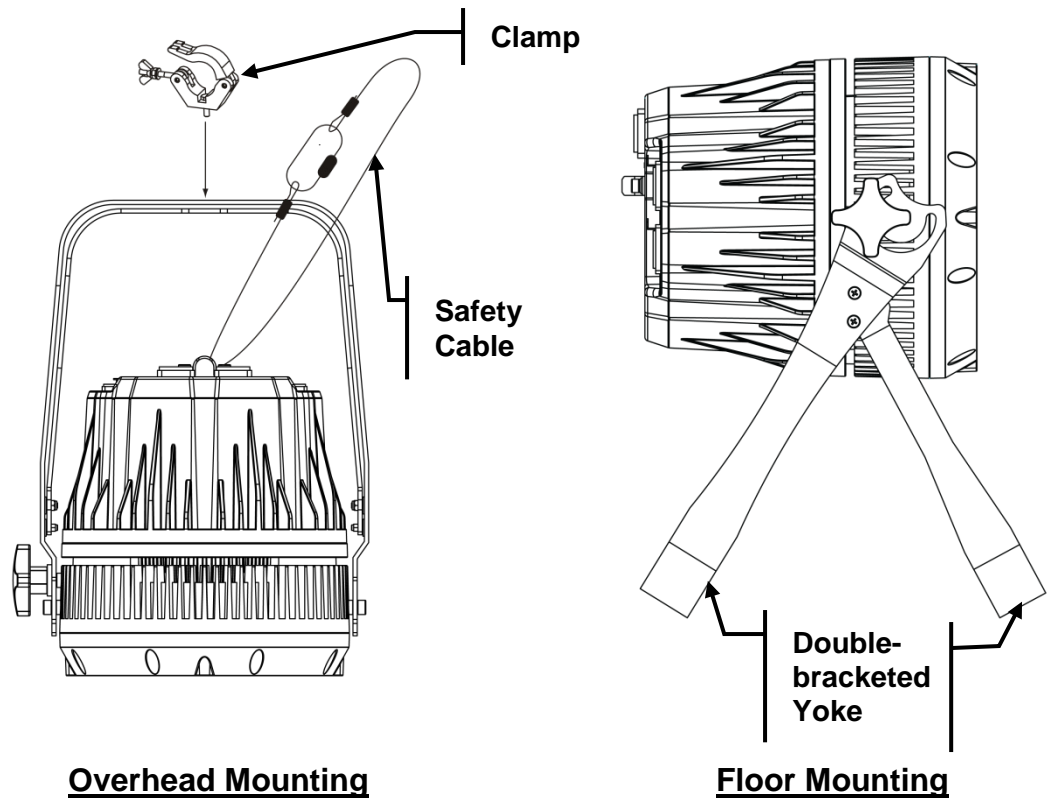
The COLORado™ Zoom Tour CW consists of a double-bracketed yoke and the body of the fixture. CHAUVET® recommends using the following general guidelines when mounting this product.

- When selecting an installation location, consider easy access to this product for operation, programming adjustments, and routine maintenance.
- Make sure to mount this product away from any flammable material as indicated in the [Safety Notes](#) section.
- Never mount in places where rain, high humidity, extreme temperature changes, or restricted ventilation may affect the product.
- If hanging this product, make sure that the mounting location can support the product's weight. Refer to the [Technical Specifications](#) for the weight-bearing requirements of this product.
- When hanging this product, always secure to a fastening device using a safety cable (included).

## Procedure

The COLORado™ Zoom Tour CW comes with a double-bracketed yoke to which you can either attach mounting clamps for hanging or simply use as a floor stand. You must supply your own mounting clamps. Make sure the clamps are capable of supporting the weight of this product. You will have to use at least one mounting point per unit.

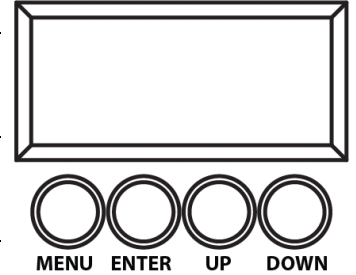
Product Mounting  
Diagram



## 4. Operation

### Control Panel Description

Button	Function
<MENU>	Exits from the current menu or function
<ENTER>	Enables the currently displayed menu or sets the currently selected value in to the current function
<UP>	Navigates upward through the menu list and increases the numeric value when in a function
<DOWN>	Navigates downward through the menu list and decreases the numeric value when in a function



### Control Options

You can set the COLORado™ Zoom Tour CW start address in the 001~512 DMX range. This enables control of up to 102 products in the 5-channel **STD.W** personality.

### Programming

- Refer to the [Menu Map](#) to understand the menu options. The menu map shows the possible main level and a variable number of programming levels for each option. To go to an option in the desired main level, press <MENU> repeatedly until the main level shows on the display. Press <ENTER> to select. This will take you to the first programming level for that option.
- To select an option or value within the current programming level, press <UP> or <DOWN> until the desired option shows on the display. Press <ENTER> to select. In this case, if there is another programming level, you will see that first option, or you will see the selected value.
- Press <MENU> repeatedly to exit to the main level.

### DMX Personality

This setting allows you to choose a particular DMX personality.

1. Go to the **PERS** main level.
2. Select the desired personality (**STD.W**, **STD.P**, or **UNO**).



- See the [DMX Values](#) section for the highest starting address you can select for each personality.
- Make sure that the starting addresses on the various products do not overlap due to the new personality setting.

## DMX Control

In this mode, each product will respond to a unique starting address from the DMX controller. All products with the same starting address will respond in unison.

1. Select a DMX personality as described in [DMX Personality](#).
2. Set the running mode:
  - a. Go to the **RUN** main level.
  - b. Select the **DMX** programming level.
3. Set the starting address:
  - a. Go to the **DMX** main level.
  - b. Select the starting address (**001~512**).

The highest recommended starting address for each DMX mode are as follows:



DMX Mode	DMX Address
STD.W	508
STD.P	509
UNO	512

## Loss of Signal Setting

This setting controls how the product will respond when the DMX signal is lost.

1. Go to the **SET** main level, then select **DERR**.
  - a. Select **SAVE** to make the product use the last command used when the signal is lost.
  - b. Select **BLAC** to turn off the all the LEDs when the signal is lost.

### Static Color

The Static Color mode allows for permanent Cool White color mixing without a DMX controller.

1. Go to the **STAT** main level.
2. Select the desired color and zoom setting (**C**, **W**, or **Z**).
3. Select the desired color or zoom value (**000–255**).
4. Repeat for the other colors.

### Master/Slave

The Master/Slave mode allows a group of COLORado™ Zoom Tour CWs (the slave products) to simultaneously duplicate the output of another COLORado™ Zoom Tour CW (the master product) without a DMX controller.

1. Set each of the slave products:
  - a. Go to the **RUN** main level.
  - b. Select **SLAV**.
2. Set the master product:
  - a. Set the running mode to **DMX** as explained in [DMX Control](#).
  - b. Select a static mix of colors as explained in [Static Color](#).



- **The master product is the one that runs a program in Static Color mode.**
- **Do not connect a DMX controller to the products configured for Master/Slave operation.**
- **The master product should be the first product in the daisy chain.**

### Dimmer Curves

This setting determines how fast the output of the COLORado™ Zoom Tour CW changes when you modify the values of the Cool White, Warm White, and Dimmer faders. This setting provides four different options to simulate the dimming curve of an incandescent lighting product.

1. Go to the **SET** main level.
2. Select **DIM**.
3. Select a dimmer function (**OFF**, **DIM1**, **DIM2**, **DIM3**, or **DIM4**).



- OFF:** The output is proportional (linear) to the Dimmer, Cool White, and Warm White channel values.
- DIM1~4:** The output follows the Dimmer, Cool White, and Warm White channel values based on the corresponding dimmer curve, **DIM1** being the fastest and **DIM4** the slowest.

### Control Panel Lock

This setting enables you to activate or disable the control panel lock, which keeps non-authorized personnel from changing the product's settings.

1. Go to the **KEY** main level.
2. Select **OFF** or **ON**.



**When the control panel lock is active, the product will prompt you to enter the password after 30 seconds of control panel inactivity or after turning on the product.**

After being prompted to enter the password:

Press **<UP>**, **<DOWN>**, **<UP>**, **<DOWN>**, **<ENTER>**.

- Reset** This setting allows you to reset the COLORado™ Zoom Tour CW to the default values.
1. Go to the **SET** main level.
  2. Select **REST**.
  3. When **PASS** shows, press **<ENTER>**.
  4. Enter the master access password as described in [Control Panel Lock](#).
  5. Wait for the reset process to finish.

- Whites Setting** This setting allows you to select and edit the temperature of the white colors used in channel 2 (Macros) when in the **STD.P** mode.
1. Go to the **CAL1** main level.
  2. Select a white color (**WH.01~05**).
  3. Select a color (**C.** or **W.**).
  4. Select a color value (**000~255**).
  5. Repeat for the other colors.



**If the product does not let you select step #3, follow the procedure described below in *Calibration Lock Out*.**

### Calibration Lock Out

This setting enables you to activate or disable the White setting lock-out feature, which keeps non-authorized personnel from changing the product's settings.

1. Go to the **SET** main level.
2. Select **CALE**.
3. Select **YES** or **NO**.

### Zoom Limit Setting

This setting allows you to limit the zoom range using 3 different modes.

Basic mode is the default setting and allows the zoom to be moved full range (**0~255**) and has no adjustable limit.

Position 1 and Position 2 modes allow you to set limits on how far the zoom moves.

1. Set the mode to be used:
  - a. Go to the **SET** main level.
  - b. Select **ZOOM**.
  - c. Select a mode (**BASE**, **POS.1**, or **POS.2**).
2. Set the limit for each mode:
  - a. Go to **ZOOM** main level.
  - b. Select a mode (**POS.1** or **POS.2**).
  - c. Select a zoom limit value (**000~255**).



## Menu Map

Main Level	Programming Levels			Description
STAT	C	000~255		Combines Warm White and Cool White to generate a custom color (0~100%)
	W	000~255		
	Z	000~255		Sets 8~27.5° zoom
RUN	DMX			Receives signals from DMX controller
	SLAV			Receives signals from Master unit
DMX	001~512			Sets the DMX starting address
PERS	STD.W			5-channel: CW, WW, D, Z, ZR
	STD.P			4-channel: D, Macro, Z, ZR
	UNO			1 channel: D
SET	REST	PASS	.....	Sets product to factory defaults
	CALE	YES		Allows <b>CAL1</b> setting to be changed
		NO		Locks out changes to <b>CAL1</b> setting
	DIM	OFF		No dimming curve/flat dimming curve
		DIM1		Dimmer curves 1~4
		DIM2		
		DIM3		
	DIM4			
	DERR	SAVE		All LEDs stay on the last command used when the DMX signal is lost
		BLAC		All LEDs turn off when DMX signal is lost
	ZOOM	BASE		Sets default zoom position (full movement)
		POS.1		Sets <b>POS.1</b> for the zoom limit function
POS.2		Sets <b>POS.2</b> for the zoom limit function		
CAL1	WH.01	C.	000~255	White calibration
		W.	000~255	
	WH.02	C.	000~255	
		W.	000~255	
	WH.03	C.	000~255	
		W.	000~255	
	WH.04	C.	000~255	
		W.	000~255	
WH.05	C.	000~255		
	W.	000~255		
KEY	OFF			Turns password Off/On
	ON			
ZOOM	POS.1		000~255	Sets the limit of the zoom preset
	POS.2		000~255	

## DMX Values

Channel	Function	Value	Percent/Setting
1	Dimmer	000 ⇔ 255	0~100%
2	Warm White	000 ⇔ 255	0~100%
3	Cool White	000 ⇔ 255	0~100%
4	Zoom	000 ⇔ 255	0~100%
5	Zoom Reset	000 ⇔ 200 201 ⇔ 220 221 ⇔ 255	No Function Reset No Function

Channel	Function	Value	Percent/Setting
1	Dimmer	000 ⇔ 255	0~100%
2	Macro	000 ⇔ 010 011 ⇔ 050 051 ⇔ 080 081 ⇔ 110 111 ⇔ 140 141 ⇔ 255	No Function White 1 White 2 White 3 White 4 White 5
3	Zoom	000 ⇔ 255	0~100%
4	Zoom Reset	000 ⇔ 200 201 ⇔ 220 221 ⇔ 255	No Function Reset No Function

Channel	Function	Value	Percent/Setting
1	Dimmer	000 ⇔ 255	0~100%

## 5. Technical Information

### Product Maintenance

To maintain optimum performance and minimize wear, clean this product frequently. Use and environment are contributing factors in determining the cleaning frequency.

As a rule, clean this product at least twice a month. Dust build-up reduces light output performance and can cause overheating. This can lead to reduced light source life and increased mechanical wear.

To clean your product:

- Unplug the product from power.
- Wait until the product has cooled.
- Use a vacuum (or dry compressed air) and a soft brush to remove dust collected on the external vents and accessible internal components.
- Clean all external glass surfaces with a mild solution of non-ammonia glass cleaner or isopropyl alcohol.
- Apply the solution directly to a soft, lint-free cotton cloth or a lens cleaning tissue.
- Wipe any dirt or grime to the outside edges of the glass surface.
- Gently polish the glass surfaces until they are free of haze and lint.



**Always dry the external glass surfaces carefully after cleaning them.**

## Troubleshooting Guide

Symptom	Cause(s)	Action(s)
Zoom does not move	Position settings are incorrect Faulty zoom motor/motors Wrong personality	Check settings as explained in <a href="#">Zoom Limit Setting</a> Send product for repair Change the personality
Product does not light up	Dimmer fader set to "0" All color faders set to "0" All colors in Static mode are set to "0" No power Faulty internal power supply Faulty main control board	Increase the value of the dimmer channel Increase the value of the color channels Increase the values of the colors Verify external power circuit and wiring Send product for repair
One of the LEDs does not work	Faulty LED Faulty LED module Faulty LED driver	Send product for repair
Two or more LEDs do not work on a single module	Faulty LED module Faulty LED driver	Send product for repair
The wrong LEDs light up when using DMX	Wrong personality Wrong DMX address	Change the personality Change the DMX address
Circuit breaker/fuse keeps tripping/blowing	Excessive circuit load Short circuit along the power wires	Reduce total load placed on the electrical circuit Check electrical wiring
Product does not power up	No power Loose or damaged power cord Faulty internal power supply	Check for voltage on outlet Check power cord Send product for repair
Product does not respond to wired DMX or responds erratically	Wrong DMX addressing Damaged DMX cables Wrong polarity on the controller Loose DMX cables Non-DMX cables Bouncing signals Long cable/low level signal Too many products Interference from AC wires Faulty Display/Main/DMX interface board Faulty Display/Main board	Check product addressing Check DMX cables Check polarity switch settings on the controller Check cable connections Use only DMX-compatible cables Install terminator as suggested Install an optically coupled DMX splitter before a long section of cable or right after the product with the strong signal Install an optically coupled DMX splitter after product #32 Keep DMX cables separated from power cables or fluorescent/black lights Send product for repair Send product for repair



**If you still experience technical problems after trying these solutions, or to send the product for repair, contact [CHAUVET® Technical Support](#).**

## Returns Procedure

You must send the product prepaid, in the original box, and with the original packing and accessories. CHAUVET® will not issue call tags.

Call CHAUVET® and request a Return Merchandise Authorization (RMA) number before shipping the product. Be prepared to provide the model number, serial number, and a brief description of the cause(s) for the return.

Clearly label the package with an RMA number. CHAUVET® will refuse any product returned without an RMA number.



**DO NOT write the RMA number directly on the box. Instead, write it on a properly affixed label.**

Once you have received the RMA number, include the following information on a piece of paper inside the box:

- Your name
- Your address
- Your phone number
- The RMA number
- A brief description of the problem(s)

Be sure to pack the product properly. Any shipping damage resulting from inadequate packaging will be the customer's responsibility. FedEx packing or double-boxing are recommended.



**CHAUVET® reserves the right to use its own discretion to repair or replace returned product(s).**

## Contact Us

### World Headquarters

CHAUVET®

#### General Information

Address: 5200 NW 108<sup>th</sup> Avenue  
Sunrise, FL 33351  
Voice: (954) 929-1115  
Fax: (954) 929-5560  
Toll free: (800) 762-1084

#### Technical Support

Voice: (954) 929-1115 (Press 4)  
Fax: (954) 756-8015  
Email: tech@chauvetlighting.com

#### World Wide Web

[www.chauvetpro.com](http://www.chauvetpro.com)

### United Kingdom & Ireland

CHAUVET® Europe Ltd.

#### General Information

Address: Product 1C  
Brookhill Road Industrial Estate  
Pinxton, Nottingham, UK  
NG16 6NT  
Voice: +44 (0)1773 511115  
Fax: +44 (0)1773 511110

#### Technical Support

Email: uktech@chauvetlighting.com

#### World Wide Web

[www.chauvetlighting.co.uk](http://www.chauvetlighting.co.uk)

## Technical Specifications

Dimensions and Weight	Length	Width	Height	Weight
	8.0 in (203 mm)	9.8 in (250 mm)	13.1 in (334 mm)	10.6 lbs (4.8 kg)

**Note:** Dimensions in inches rounded to the nearest decimal digit.

Electrical	Power Supply Type	Range	Voltage Selection
	Switching (internal)	100~240 V, 50/60 Hz	Auto-ranging

Parameter	120 V, 60 Hz	230 V, 50 Hz
Consumption	80 W	72 W
Operating current	.67 A	.36 A
Power linking	7 products	14 products

Power I/O	US/Worldwide	Europe
Power input connector	Neutrik® powerCON® A	Neutrik® powerCON® A
Power output connector	Neutrik® powerCON® B	Neutrik® powerCON® B
Power cord plug	Edison (U.S.)	Local plug

Light Source	Type	Power	Lifespan
	LED	3 W	50,000 hours

Color	Quantity	Current
Warm White	7	498 mA
Cool White	30	483 mA

Photo Optic	Parameter	Standard Optics
	Illuminance @ 5 m	2,649 lx
	Beam angle	8~27.5°
	Field angle	15~42°

Thermal	Max. External Temperature	Cooling System
	104° F (40° C)	Convection

DMX	I/O Connectors	Connector Type	Channel Range
	3- and 5-pin XLR	Sockets	1,4,5

Ordering	Product Name	Item Code	UPC Number
	COLORado™ Zoom Tour CW	01030426	781462207793



UL 1573  
CSA C22.2 No. 166  
E113093



---

**CHAUVET®**

5200 NW 108th Avenue  
Sunrise, FL 33351 (USA)  
(800) 762-1084 – (954) 929-1115  
FAX (954) 929-5560  
[www.chauvetlighting.com](http://www.chauvetlighting.com)

COLORado™ Zoom Tour CW User Manual Rev. 06  
February 2012

---



*It's Green Thinking®*