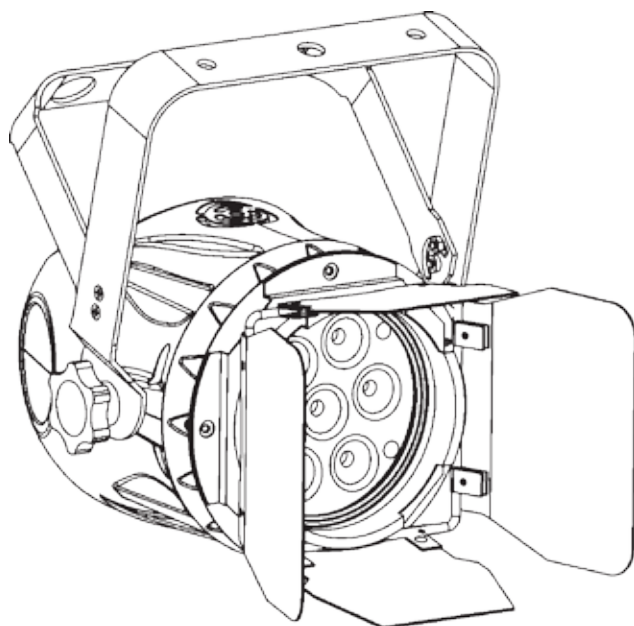


COLORdash™ Par-Tri

Quick Reference Guide



CHAUVET®
It's Green Thinking.

About this Guide

The COLORdash™ Par-Tri Quick Reference Guide (QRG) only contains the product’s connection and mounting information as well as the menu options and the DMX values.

Disclaimer

- This Quick Reference Guide DOES NOT replace the product’s User Manual, which you can download from www.chauvetlighting.com.
- Read ALL the disclaimers and safety notes in this document as well as those in the product’s user manual before installing, operating, or maintaining this product.

Safety Notes

- DO NOT open this fixture unless instructed. It contains no user-serviceable parts.
- DO NOT look at the light source when this fixture is on.
- DO NOT touch the fixture when it is operating because it may be hot.
- DO NOT cover the ventilation slots when the fixture is operating to avoid internal overheating.
- DO NOT install or operate this fixture where there is less than 50 cm to the nearest surface to allow adequate ventilation around it.
- DO NOT leave any flammable material within 50 cm from this fixture while operating or connected to the power outlet to minimize the risk of fire.
- DO NOT mount this fixture overhead without using a safety cable.
- DO NOT operate this fixture outdoors or in any location where dust, excessive heat, water, or humidity may affect it.
- DO NOT operate this fixture if you see damage on the housing, lenses, or cables. In any of these cases, have the damaged parts replaced by an authorized technician at once.
- DO NOT connect this fixture to a dimmer or rheostat.
- ONLY connect this fixture to a grounded and protected circuit.

What is Included

- One COLORdash™ Par-Tri (with barn doors pre-installed)
- One power input cable with plug
- One power linking cable (6.6 ft/2 m)
- One set of replacement screws for barn doors removal
- Warranty Card
- Quick Reference Guide

Features

- 3, 4, or 9-channel tri color LED wash fixture with ID addressing
- Operating modes:
 - 3-channel: RGB control
 - 4-channel: RGB, dimmer
 - 9-channel: RGB, dimmer, color macro, strobe, auto/custom, auto speed, ID addressing
- RGB color mixing with or without DMX control
- Automatic (pre-set) and custom (editable) programs
- Recall auto and custom programs via DMX
- Pre-programmed color macros
- Color temperature presets (3,200~8,500 K)
- Master/Slave operation
- Transfer custom programs between fixtures
- High-power, 3 W tri-color LEDs
- IEC power connectors
- Power linking: max 20 units @ 120 V
- Includes 6.6 ft (2 m) power extension cable
- 3-pin DMX input and output connectors
- LCD display with password protection
- Double-bracketed yoke for overhead or floor mounting
- Adjustable barn doors to direct output (includes gel frame)
- Additional threaded hole on rear for mounting (size M 10)

Options

- 33 ft (10 m) power extension cable (EXT-2)

AC Power

This product has an auto-ranging power supply that can work with an input voltage range of 100~240 VAC, 50/60 Hz.

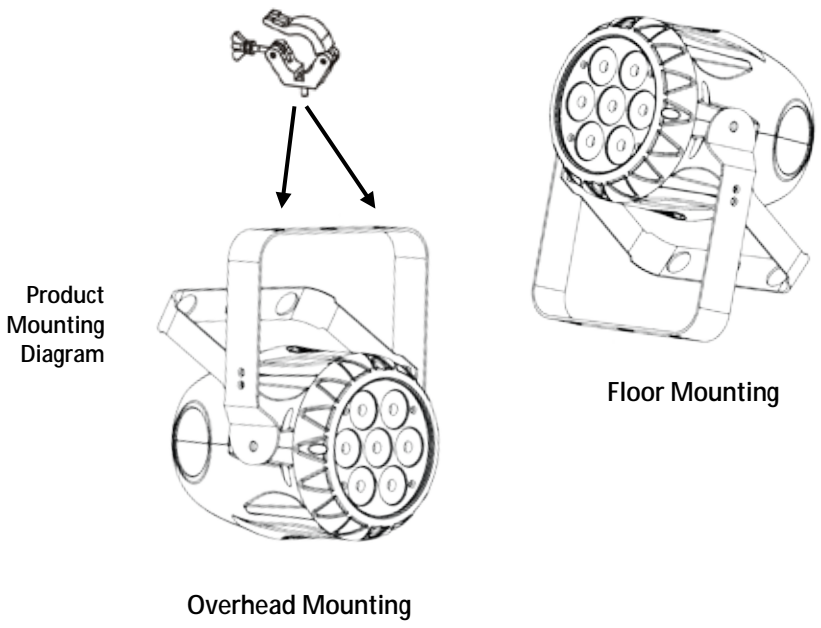
Power Linking

You can link up to twenty (20) COLORdash™ Par-Tri units to this fixture at 120 VAC. Make sure to never exceed this number when linking this fixture.

Fuse Replacement

1. With a Phillips #2 head screwdriver, unscrew the fuse holder cap from its housing.
2. Remove the blown fuse from the fuse holder cap and replace it with a good fuse of the exact same type and rating.
3. Screw the fuse holder cap back in its place and reconnect power.

Mounting Before mounting this product, read the Safety Notes at the beginning of this guide and in the product’s user manual. Then, follow the mounting procedure indicated in the Setup chapter of the User Manual.



Control Panel Description

Button	Function
<MENU>	Exits from the current menu or function
<ENTER>	Enables the currently displayed menu or sets the currently selected value into the selected function
<UP>	Navigates upwards through the menu list and increases the numeric value when in a function
<DOWN>	Navigates downwards through the menu list and decreases the numeric value when in a function

Programming For details on how to program this product, please refer to the product’s user manual.

Password After being prompted to enter the password, press:
 <UP>, <DOWN>, <UP>, <DOWN>, and <ENTER>

Menu Options

Main Level	2 nd Level		3 rd Level		Description	
STATIC	Red		000~255		Combine red, green, and blue to generate a custom color.	
	Green					
	Blue					
	Strobe		00~20			Select a strobe frequency (0~20 Hz)
AUTO	Auto 1~10		0~255		Choose from 10 automatic programs	
	Custom 1~10				Choose from 10 customizable programs	
ADDRESS	001~512		N/A		Sets the DMX starting address	
RUN	DMX/Slave				DMX = Receives signals from DMX controller Slave = Receives signals from master fixture	
PERSON	STAGE1				9-channel (D-RGB-CM-S-A/C-A/S-ID)	
	ARC1				3-channel (RGB)	
	ARC1 + D		4-channel (RGB-D)			
ID	0~66				Assigns the ID address to a fixture	
FAN	HIGH		N/A		Selects fan speed	
	NORMAL					
	AUTO					
	LOW					
EDIT	CUSTOM (1~10)	SCENE (01~30)	RED	000~255	Combine red, green, and blue to generate a custom color (0~100%)	
			GREEN			
			BLUE			
			STROBE	00~20		Selects the strobe frequency (0~20 Hz)
			TIME	000~255		Defines the step duration (0~100%)
			FADE			Defines the fade duration (0~100%)
SETTINGS	ID ON/OFF		ON/OFF		Turns ID addressing on or off	
	Reset to Factory?		Press <ENTER> twice		Defaults the fixture to factory settings	
	Upload Custom?				Uploads custom programs to other fixtures	
	COLOR		OFF		RGB max = max output / unbalanced white	
UC			RGB max = matches older fixtures' output			
PASSWORD	ON/OFF		N/A		Turns the password on or off Password automatically activates after 30 s of control panel inactivity	

DMX Values

STAGE 1

Channel	Function	Value	Percent/Setting
1	Dimmer	000 ∘ 255	0~100%
2	Red	000 ∘ 255	0~100%
	Step Time		Only if playing a custom program
3	Green	000 ∘ 255	0~100%
	Fade Time		Only if playing a custom program
4	Blue	000 ∘ 255	0~100%
5	Color Macro + White Balance	000 ∘ 010	No Function
		011 ∘ 035	R: 100% G: Up B: 0%
		036 ∘ 060	R: Down G: 100% B: 0%
		061 ∘ 085	R: 0% G: 100% B: Up
		086 ∘ 110	R: 0% G: Down B: 100%
		111 ∘ 135	R: Up G: 0% B: 100%
		136 ∘ 160	R: 100% G: 0% B: Down
		161 ∘ 185	R: 100% G: Up B: Down
		186 ∘ 210	R: Down G: Down B: 100%
		211 ∘ 215	White 1: 3,200 K
		216 ∘ 220	White 2: 3,400 K
		221 ∘ 225	White 3: 4,200 K
		226 ∘ 230	White 4: 4,900 K
		231 ∘ 235	White 5: 5,600 K
		236 ∘ 240	White 6: 5,900 K
		241 ∘ 245	White 7: 6,500 K
246 ∘ 250	White 8: 7,200 K		
251 ∘ 255	White 9: 8,500 K		
6	Strobe	000 ∘ 010	No Function
		011 ∘ 255	0~20 Hz
7	Auto + Custom Programs	000 ∘ 020	No Function
		021 ∘ 030	Auto 1
		031 ∘ 040	Auto 2
		041 ∘ 050	Auto 3
		051 ∘ 060	Auto 4
		061 ∘ 070	Auto 5
		071 ∘ 080	Auto 6
		081 ∘ 090	Auto 7
		091 ∘ 100	Auto 8
		101 ∘ 110	Auto 9
		111 ∘ 120	Auto 10
		121 ∘ 130	Custom 1
		131 ∘ 140	Custom 2
		141 ∘ 150	Custom 3
		151 ∘ 160	Custom 4
		161 ∘ 170	Custom 5
171 ∘ 180	Custom 6		
181 ∘ 190	Custom 7		
191 ∘ 200	Custom 8		
201 ∘ 210	Custom 9		
211 ∘ 220	Custom 10		
221 ∘ 255	No function		
8	Auto Speed	000 ∘ 255	Only if playing an auto program

**STAGE 1
(Cont.)**

Channel	Function	Value	Setting	Value	Setting	Value	Setting	
9	ID Addressing	000	009	All IDs	212	ID 23	235	ID 46
		010	019	ID 1	213	ID 24	236	ID 47
		020	029	ID 2	214	ID 25	237	ID 48
		030	039	ID 3	215	ID 26	238	ID 49
		040	049	ID 4	216	ID 27	239	ID 50
		050	059	ID 5	217	ID 28	240	ID 51
		060	069	ID 6	218	ID 29	241	ID 52
		070	079	ID 7	219	ID 30	242	ID 53
		080	089	ID 8	220	ID 31	243	ID 54
		090	099	ID 9	221	ID 32	244	ID 55
		100	109	ID 10	222	ID 33	245	ID 56
		110	119	ID 11	223	ID 34	246	ID 57
		120	129	ID 12	224	ID 35	247	ID 58
		130	139	ID 13	225	ID 36	248	ID 59
		140	149	ID 14	226	ID 37	249	ID 60
		150	159	ID 15	227	ID 38	250	ID 61
		160	169	ID 16	228	ID 39	251	ID 62
		170	179	ID 17	229	ID 40	252	ID 63
		180	189	ID 18	230	ID 41	253	ID 64
		190	199	ID 19	231	ID 42	254	ID 65
		200	209	ID 20	232	ID 43	255	ID 66
			210	ID 21	233	ID 44		
	211	ID 22	234	ID 45				

ARC1

Channel	Function	Value	Percent/Setting
1	Red	000	0~100%
2	Green	000	0~100%
3	Blue	000	0~100%

ARC1 + D

Channel	Function	Value	Percent/Setting
1	Dimmer	000	0~100%
2	Red	000	0~100%
3	Green	000	0~100%
4	Blue	000	0~100%

Contact Us

World Headquarters

CHAUVET®

General Information

Address: 5200 NW 108th Avenue
Sunrise, FL 33351
Voice: (954) 929-1115
Fax: (954) 929-5560
Toll free: (800) 762-1084

Technical Support

Voice: (954) 929-1115 (Press 4)
Fax: (954) 756-8015
Email: tech@chauvetlighting.com

World Wide Web

www.chauvetpro.com

United Kingdom and Ireland

CHAUVET® Europe Ltd.

General Information

Address: Unit 1C
Brookhill Road Industrial Estate
Pinxton, Nottingham, UK
NG16 6NT
Voice: +44 (0)1773 511115
Fax: +44 (0)1773 511110

Technical Support

Email: uktech@chauvetlighting.com

World Wide Web

www.chauvetlighting.co.uk

Outside the U.S., United Kingdom, or Ireland, contact your distributor of record. Follow their instructions to request support or to return a product. Visit our website for contact details.

COLORdash™ Par-Tri QRG – Rev. 03

© Copyright 2012 CHAUVET®

All rights reserved.

Printed in the P. R. C.



UL 1573

CSA C22.2 No. 166

E113093