



CHAUVET®

Value • Innovation • Performance

TWO WAY DMX DISTRIBUTOR

DMX-2X



User Guide

Please read these instructions carefully before use

World-wide Headquarters:
3000 North 29th Ct., Hollywood, Florida, USA, FL 33020
Tel: +1-954-929-1115 Fax: +1-954-929-5560

www.ChauvetLighting.com

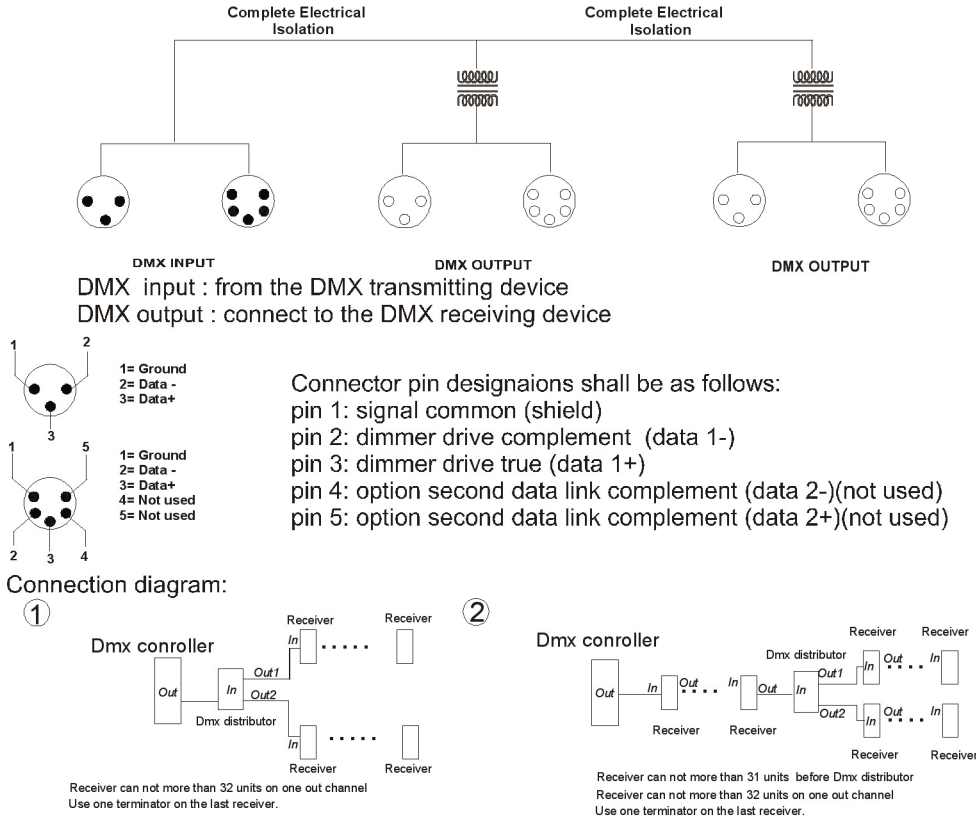
Introduction

Congratulations on the purchase of your new Chauvet two way DMX distributor. We are confident that you will enjoy many trouble free hours with this unit. To assist with the use and care of this unit, we have prepared this short guide.

Operation

The DMX-2X has a 110v/220v selector switch. You must ensure that it is set for the appropriate input voltage. The DMX-2x has one input and two outputs. The inputs and outputs are electronically isolated. Each DMX output has a separate driver. Only one of the output jacks from each pair can be used at any time. Each output has a polarity switch that is used when non-standard DMX fixtures are utilized

Note: The maximum number of DMX fixtures is 32 per output.



Cleaning

The body of the unit may be cleaned with a soft damp cloth. We recommend internal cleaning be carried out by a fully qualified technician.

Maintenance & Servicing

Work on internal parts should be carried out by a qualified technician. Removal of any covers other than the "Fuseholder" is considered a breach of warranty and will not be covered under any such agreement unless authorized by CHAUVET.

No user serviceable parts inside, please refer to CHAUVET for service.

USA

Technical Assistance: 1-800-762-1084 (954) 929-1115
E-Mail tech@chauvetlighting.com

POWER	120V~/60Hz / 230V~50Hz
INTERNAL FUSE	5mmx 20mm (x3) F500mA 250v
DIMENSION	10.04in x 6.76in x 2.95in 245mm x 165mm x 72mm
WEIGHT	4.18lbs / 1.9kg

User Information (Please complete for your records)

Date Purchased: / /

Serial No: _____ Dealer Stamp

Model: DMX-2X Distributor