

# EPIX™

## DRIVE 640

### User Manual



**CHAUVET®**  
It's **Green** Thinking.™

**Edition  
Notes**

The ÉPIX™ Drive 640 User Manual Rev. 9 covers the description, safety precautions, installation, and maintenance of the ÉPIX™ Drive 640. CHAUVET® released this edition of the ÉPIX™ Drive 640 User Manual in April 2012.

**Trademarks**

CHAUVET® is a registered trademark of CHAUVET & Sons Inc. (d/b/a CHAUVET® or Chauvet). The CHAUVET® logo in its entirety including the CHAUVET name and the dotted triangle, and all other trademarks in this manual pertaining to services, products, or marketing statements (example: It’s Green Thinking™) are owned or licensed by CHAUVET®. Any other product names, logos, brands, company names, and other trademarks featured or referred to within this document are the property of their respective trademark holders.

**Copyright  
Notice**

CHAUVET® owns the content of this user manual in its entirety, including but not limited to pictures, logos, trademarks, and resources.

© **Copyright 2012 CHAUVET®. All rights reserved.**

Electronically published by CHAUVET® in the United States of America.

**Manual  
Usage**

CHAUVET® authorizes its customers to download and print this manual for professional information purposes only. CHAUVET® expressly prohibits the usage, copy, storage, distribution, modification, or printing of this manual or its content for any other purpose without written consent from CHAUVET®.

**Intended  
Audience**

Any person installing, operating, and/or maintaining this product should completely read through the guide that shipped with the product, as well as this manual, before installing, operating, or maintaining this product.

**Disclaimer**

CHAUVET® believes that the information contained in this manual is accurate in all respects. However, CHAUVET® assumes no responsibility for any error or omissions in this document. CHAUVET® reserves the right to revise this document and to make changes from time to time in the content hereof without obligation of CHAUVET® to notify any person or company of such revision or changes. This does not constitute in any way a commitment by CHAUVET® to make such changes. CHAUVET® may issue a revision of this manual or a new edition of it to incorporate such changes.

**Document  
Revision**

The ÉPIX™ Drive 640 User Manual Rev. 9 supersedes all previous versions of this manual. Discard any older versions of this manual you may have, whether in printed or electronic format, and replace with this version.

Author	Date	Editor	Date
D. Coupe	4/20/12	S. Graham	4/20/12

## Unpacking Instructions

Immediately upon receiving this product, carefully unpack and check the container. Make sure you have received all the parts indicated in the [What Is Included](#) section of this manual and that all the parts are in good condition.

## Claims

If the container or the material inside the container (the product and included accessories) appear damaged from shipping, or show signs of mishandling, notify the carrier immediately upon receipt, not CHAUVET®. Failure to notify the carrier in a timely manner may invalidate your claim. In addition, keep the container and all the packing material for inspection.

For other issues such as missing components or parts, damage not related to shipping, or concealed damage, file a claim with CHAUVET® within seven (7) days of receiving the merchandise.

Refer to the [Contact Us](#) section in this manual for addresses and phone numbers.

## Icon Indications

Icon

This icon indicates . . .



Critical installation, configuration, or operation information. Failure to comply with this information may render the product partially or completely inoperative, damage third-party equipment, or cause harm to the user.



Important installation or configuration information. Failure to comply with this information may prevent the product from functioning correctly.



Useful information.

## Expected LED Lifespan

LEDs gradually decline in brightness over time, mostly because of heat. Packaged in clusters, LEDs exhibit higher operating temperatures than in ideal, single-LED conditions. For this reason, using clustered LEDs at their fullest intensity significantly reduces the LEDs' lifespan. Under normal conditions, this lifespan can be 40,000 to 50,000 hours. If extending this lifespan is vital, lower the operating temperature by improving the ventilation around the product and reducing the ambient temperature to an optimal operating range. In addition, limiting the overall projection intensity may also help to extend the LEDs' lifespan.

## Safety Notes

Read all the following Safety Notes before working with this product. These notes include important information about the installation, usage, and maintenance of this product.



**There are no user-serviceable parts in this product. Any reference to servicing in this User Manual applies only to properly certified CHAUVET® technicians. Do not open the housing or attempt any repairs unless you are certified by CHAUVET®.**



**Please refer to all applicable local codes and regulations for proper installation of this product.**

## Personal Safety

- Always disconnect this product from its power source before servicing.
- Always connect this product to a grounded circuit to avoid the risk of electrocution.
- Do not touch this product's housing during operation because it may be very hot.

## Mounting and Rigging

- This product is for indoor use only! To prevent risk of fire or shock, do not expose this product to rain or moisture.
- Make sure there are no flammable materials close to this product while it is operating.
- When hanging this product, always secure to a fastening device using a safety chain/cable (not included).

## Power and Wiring

- Always make sure you are connecting this product to the proper voltage, as per the [Technical Specifications](#) in this manual or on the product's specification label.
- Never connect this product to a dimmer pack or rheostat.
- Never disconnect this product by pulling or tugging on the power cable.

## Operation

- Do not operate this product if you see damage on the housing, I/O ports, or cables. Have the damaged parts replaced by an authorized technician at once.
- Do not cover the ventilation slots when operating to avoid internal overheating.
- The maximum ambient temperature is 104° F (40° C). Do not operate this product at a higher temperature.
- In case of a serious operating problem, stop using this product immediately!



**In the unlikely event that your CHAUVET® product may require service, contact CHAUVET® Technical Support.**

- What Is Included**
- One ÉPIX™ Drive 640
  - One NEUTRIK® powerCON® to Edison Plug Input Power Cord
  - One Warranty Card

- Features**
- Controlled via the ArKaos Kling-Net protocol which provides fast and easy assignment and control
  - A video/pixel mapping system that doesn't require years of experience or technical know-how to design, set-up, or operate
  - Does NOT require piles of processing, driver, and signal distribution equipment to create large-scale displays
  - To be used with ÉPIX™ strip
  - Utilizes NEUTRIK® powerCON® in and out connections for power and RJ45 for ArKaos Kling-Net protocol communication
  - Housing Material: Stainless Steel

- Controllers**
- ArKaos MediaMaster™ software (required)

**Product Description**

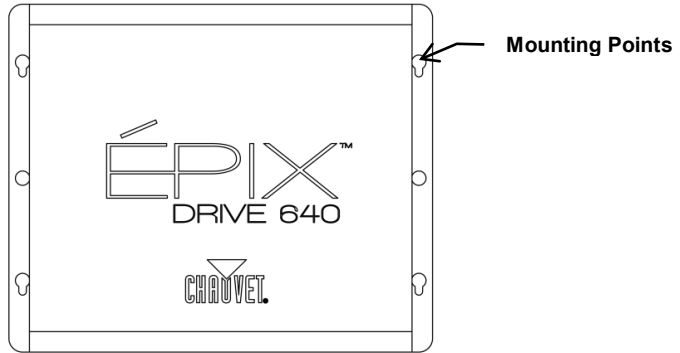
The ÉPIX™ Drive 640 is the power supply for the ÉPIX™ Strip. The ÉPIX™ Drive 640 consists of stainless steel construction. You may combine other ÉPIX™ Series units to create multiple numbers of configurations.

The ÉPIX™ Drive 640 is controlled using a computer (Mac or PC) with ArKaos MediaMaster™ software installed.

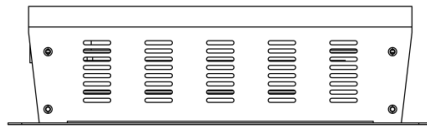


**ArKaos MediaMaster™ software running on a PC or Mac is required to use this product.**

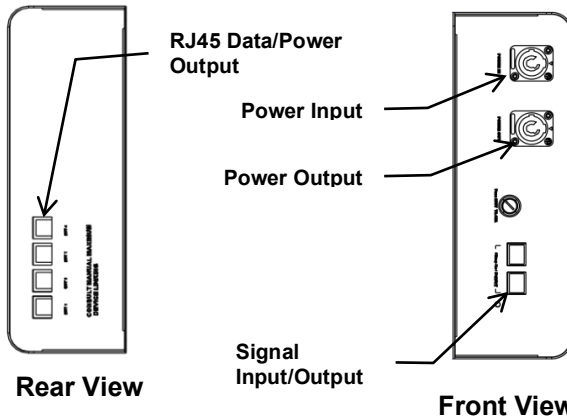
**Product Overview**



**Top View**



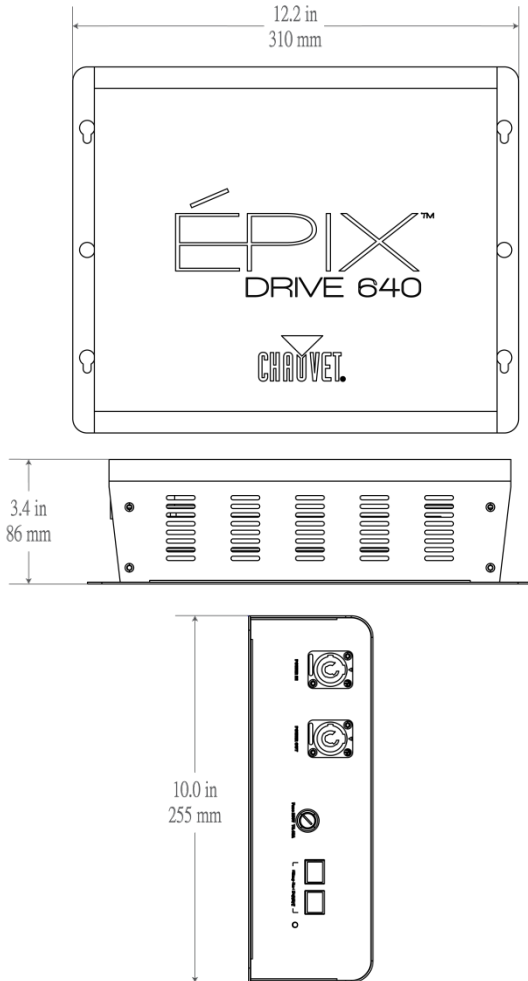
**Side View**



**Rear View**

**Front View**

Product Dimensions



**Input Power** The ÉPIX™ Drive 640 has swichable power supply that works with an input voltage of 120VAC, 60 Hz or 230 VAC 50/60 Hz.

Make sure that you are connecting this product to the proper voltage. To determine the power requirements for the ÉPIX™ Drive 640, refer to the specification label affixed to the product or the specifications in this manual.



**Never connect this product to a rheostat (variable resistor) or dimmer circuit, even if the rheostat or dimmer channel serves only as a 0% to 100% switch.**

## Power Linking

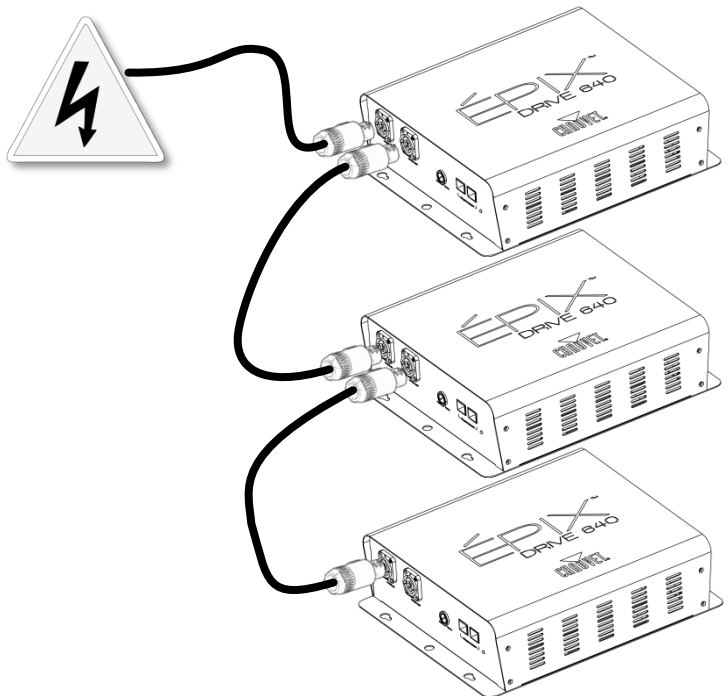
The ÉPIX™ Drive 640 supports power linking. You can power link up to three (3) ÉPIX™ Drive 640's at 120 VAC or six (6) at 230 VAC.

This product comes with a power input cord. This product does not come with a power linking cord; however, a power linking cord is available as an option.



**You can only link up to three (3) ÉPIX™ Drive 640 products at 120 VAC or six (6) at 230 VAC! Refer to the [Technical Specifications](#) section of this manual for further information.**

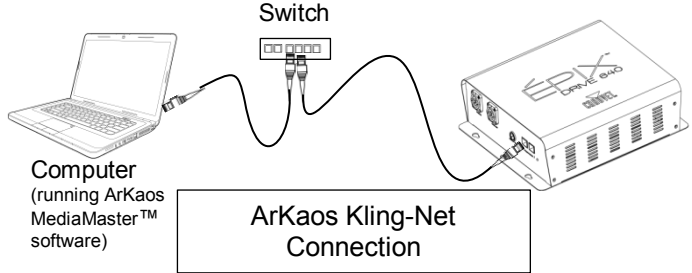
Drive Power Linking  
Diagram





**Data Linking** The ÉPIX™ Drive 640 works connected through a network switch (or crossover cable) to a computer (Mac or PC) with ArKaos MediaMaster™ software installed.

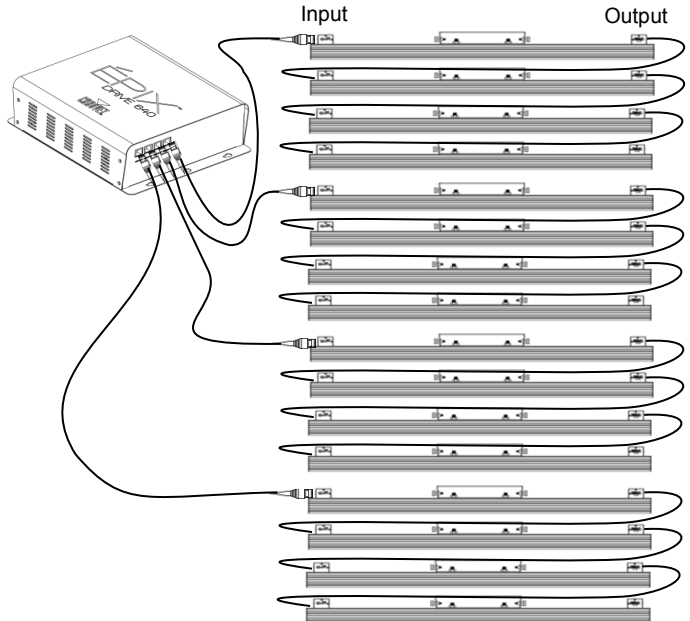
**Data Connection** The ÉPIX™ Drive 640 uses an RJ45 data connection to link all data ports. The following diagrams illustrate how to assemble the data connections.



For smooth-running operation, ArKaos Kling-Net requires a gigabit (1000 Mbps) Ethernet card and network switch.



**NEVER REVERSE THE INPUT AND OUTPUT CONNECTIONS! DOING SO WILL DESTROY THE INTERNAL CIRCUITS OF THE PRODUCT!**



**Mounting** Before mounting this product, read the [Safety Notes](#) in this User Manual.

**Orientation** Always mount this product in a safe position and make sure there is adequate room for ventilation, configuration, and maintenance.

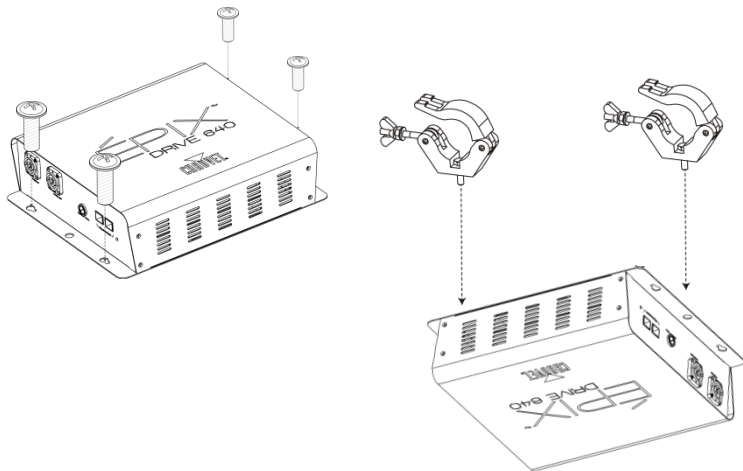
**Rigging** The ÉPIX™ Drive 640 has six (6) mounting points with 10 mm holes. CHAUVET® recommends using the following general guidelines when mounting this product:

- When selecting an installation location, consider easy access to this product for operation, programming adjustments, and routine maintenance.
- Make sure to mount this product away from any flammable material as indicated in the [Safety Notes](#) section.
- Never mount in places where rain, high humidity, extreme temperature changes, or restricted ventilation may affect the product.
- If hanging this product, make sure that the mounting location can support the product's weight. Refer to the [Technical Specifications](#) section for the weight-bearing requirements of this product.

**Procedure** The ÉPIX™ Drive 640 has four (4) mounting points (one on each corner) with 10 mm holes to which you can install screws and mount this product directly to almost any flat surface in any orientation.

The ÉPIX™ Drive 640 also has two (2) mounting points centered on each end of the product to install clamps for hanging. You must supply your own clamps and make sure the clamps are capable of supporting the weight of this product.

**Product  
Mounting  
Diagram**



**Programming** Refer to the ArKaos MediaMaster™ software manual for detailed instructions on installing and programming this product.

**Product Maintenance** To maintain optimum performance and minimize wear, you should clean this product frequently. Usage and environment are contributing factors in determining the cleaning frequency.

As a rule, clean this product at least twice a month. Dust build up reduces light output performance and can cause overheating. This can lead to reduced light source life and increased mechanical wear.

To clean your product:

- Unplug the product from power.
- Wait until the product has cooled.
- Use a vacuum (or dry compressed air) and a soft brush to remove dust collected on the external vents and accessible internal components.
- Clean all external surfaces with a mild solution of non-ammonia glass cleaner or isopropyl alcohol.
- Apply the solution directly to a soft, lint-free cotton cloth or a lens cleaning tissue.
- Wipe any dirt or grime to the outside edge of the surface. Gently polish the surfaces with the lint-free cotton cloth or lens cleaning tissue until they are free of haze and lint.



**Always dry the external surfaces carefully after cleaning them.**

### Returns Procedure

You must send the merchandise prepaid, in the original box, and with the original packing and accessories. CHAUVET® will not issue call tags.

Call CHAUVET® and request a Return Merchandise Authorization (RMA) number before shipping the product. Be prepared to provide the model number, serial number, and a brief description of the cause for the return.

Clearly label the package with an RMA number. CHAUVET® will refuse any product returned without an RMA number.



**DO NOT write the RMA number directly on the box. Instead, write it on a properly affixed label.**

Once you have received the RMA number, include the following information on a piece of paper inside the box:

- Your name
- Your address
- Your phone number
- The RMA number
- A brief description of the problem

Be sure to pack the product properly. Any shipping damage resulting from inadequate packaging will be the customer's responsibility. FedEx packing or double-boxing are recommended.



**CHAUVET® reserves the right to use its own discretion to repair or replace returned product(s).**

## Technical Specifications

<b>Dimensions and Weight</b>	<b>Length</b>	<b>Width</b>	<b>Height</b>	<b>Weight</b>
	10.0 in (253 mm)	12.2 in (310 mm)	3.4 in (86 mm)	6.3 lbs (2.9 kg)
<b>Note:</b> Dimensions in inches rounded to the nearest decimal digit.				
<b>Electrical</b>	<b>Power Supply Type</b>	<b>Range</b>	<b>Voltage Selection</b>	
	ÉPIX™ Drive 640	120/230 V, 50/60 Hz	Switchable	
	<b>Parameter</b>	<b>120 V, 60 Hz</b>	<b>230 V, 50 Hz</b>	
	Consumption	310 W	299 W	
	Operating	4.12 A	2.16 A	
	Power linking products	3 products	6 products	
	Fuse	T 3.15 A, 250 V	T 3.15 A, 250 V	
	<b>Power I/O</b>	<b>US/Worldwide</b>	<b>Europe</b>	
	Power input connector	NEUTRIK® powerCON® A	NEUTRIK® powerCON® A	
	Power output connector	NEUTRIK® powerCON® B	NEUTRIK® powerCON® B	
Power cord plug	Edison (US)	Local plug		
<b>Thermal</b>	<b>Max. External Temperature</b>	<b>Cooling System</b>		
	104° F (40° C)	Convection		
<b>ArKaos Kling-Net</b>	<b>I/O Connectors</b>	<b>Channel Range</b>		
	RJ45	Determined per ArKaos MediaMaster™ software		
<b>Ordering</b>	<b>Product Name</b>	<b>Item Code</b>	<b>UPC Number</b>	
	ÉPIX™ Drive 640	17090454	781462208066	
	ArKaos MediaMaster™ software	99080464	781462208165	

## Contact Us

### World Headquarters

CHAUVET®

#### General Information

Address: 5200 NW 108th Avenue  
Sunrise, FL 33351  
Voice: (954) 929-1115  
Fax: (954) 929-5560  
Toll free: (800) 762-1084

#### Technical Support

Voice: (954) 929-1115 (Press 4)  
Fax: (954) 756-8015  
Email: [tech@chauvetlighting.com](mailto:tech@chauvetlighting.com)

#### World Wide Web

[www.chauvetpro.com](http://www.chauvetpro.com)

### United Kingdom and Ireland

CHAUVET® Europe Ltd.

#### General Information

Address: Unit 1C  
Brookhill Road Industrial Estate  
Pinxton, Nottingham, UK  
NG16 6NT  
Voice: +44 (0)1773 511115  
Fax: +44 (0)1773 511110

#### Technical Support

Email: [uktech@chauvetlighting.com](mailto:uktech@chauvetlighting.com)

#### World Wide Web

[www.chauvetlighting.co.uk](http://www.chauvetlighting.co.uk)

Outside the U.S., United Kingdom, or Ireland, contact your distributor of record. Follow their instructions to request support or to return a product. Visit our Web site for contact details.