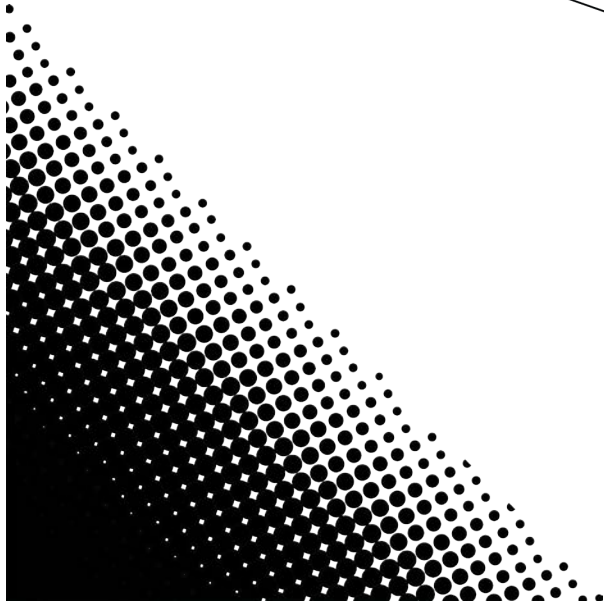
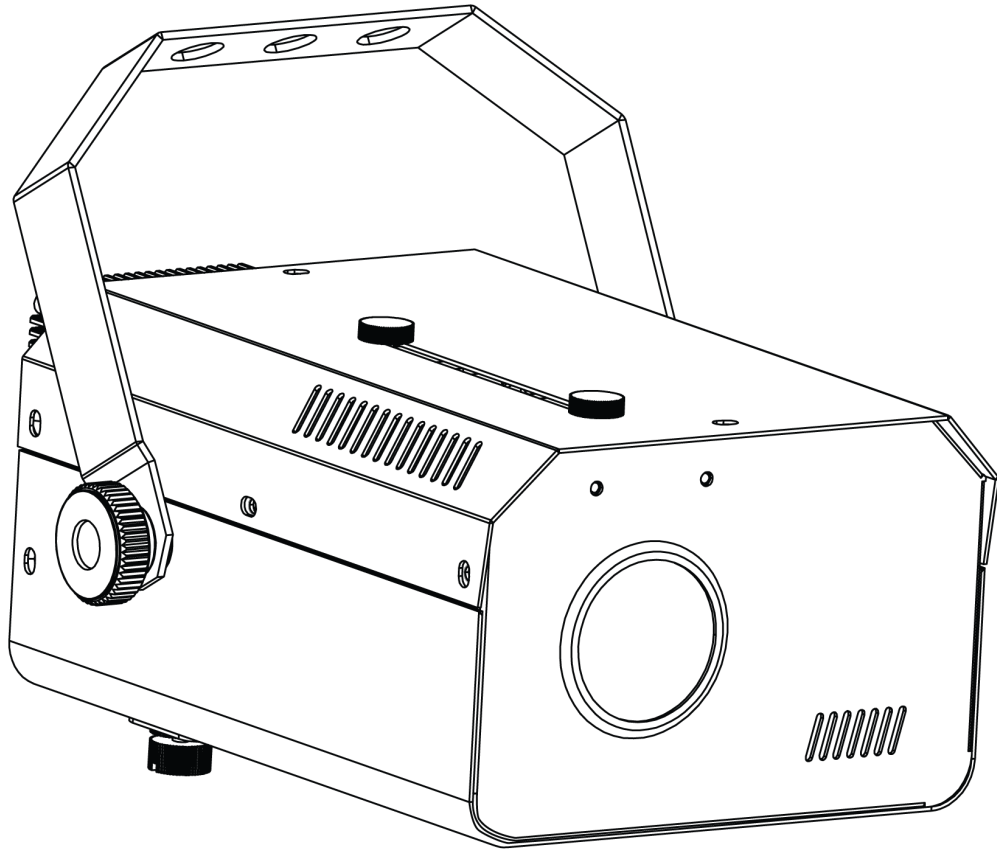


Gobo

Zoom™ LED 2.0

User Manual



CHAUVET®
Value · Innovation · Performance
It's **Green** Thinking.™

TABLE OF CONTENTS

1. BEFORE YOU BEGIN	3
WHAT IS INCLUDED.....	3
UNPACKING INSTRUCTIONS.....	3
CLAIMS.....	3
MANUAL CONVENTIONS.....	3
ICONS.....	3
SAFETY INSTRUCTIONS.....	4
2. INTRODUCTION	5
PRODUCT OVERVIEW.....	5
3. SETUP	6
AC POWER.....	6
REPLACING THE GOBO/COLOR GEL.....	6
MOUNTING.....	7
<i>Orientation</i>	7
<i>Rigging</i>	7
4. OPERATING INSTRUCTIONS	8
CONFIGURING THE STARTING ADDRESS.....	8
<i>DMX Operation</i>	8
<i>Standalone</i>	8
DMX CHANNEL VALUES.....	8
5. APPENDIX	9
GENERAL TROUBLESHOOTING.....	9
GENERAL MAINTENANCE.....	9
RETURNS PROCEDURE.....	10
TECHNICAL SPECIFICATIONS	11
CONTACT US	12

1. BEFORE YOU BEGIN

What is Included

- 1 x Gobo Zoom™ LED 2.0
- 1 x Set of 4 Colored Gels
- 1 x Set of 8 Replacement Gobos
- 1 x FREE CHAUVET® Logo Gobo
- 1 x Power Cord
- 1 x Warranty Card
- 1 x User Manual

Unpacking Instructions

Immediately upon receiving a product, carefully unpack the carton, check the contents to ensure that all parts are present, and have been received in good condition.

Claims

If the container or the material inside the container (this product and any other accessory included) appears damaged from shipping, or shows signs of mishandling, notify the carrier immediately, not CHAUVET®, upon receipt of the damaged merchandise. Failure to do so in a timely manner may invalidate your claim with the carrier. In addition, retain the container and all the packing material for inspection.

For other issues such as missing components or parts, damage not related to shipping, or concealed damage, file a claim with CHAUVET® within 7 days of receiving the merchandise.




Manual Conventions

CHAUVET® manuals use the following conventions to differentiate certain types of information from the regular text.

CONVENTION	MEANING
[10]	A DIP switch to be configured
<Menu>	A key to be pressed on the product's control panel
1~512	A range of values
50/60	A set of values of which only one can be chosen
Settings	A menu option not to be modified (for example, showing the operating mode/current status)
MENU > Settings	A sequence of menu options to be followed
ON	A value to be entered or selected

Icons

This manual uses the following icons to indicate information that requires special attention on the part of the user.

ICONS	MEANING
	Critical installation, configuration or operation information. Failure to comply with this information may render the product partially or completely inoperative, cause damage to the product or cause harm to the user.
	Important installation or configuration information. Failure to comply with this information may prevent the product from functioning correctly.
	Useful information.

Safety Notes

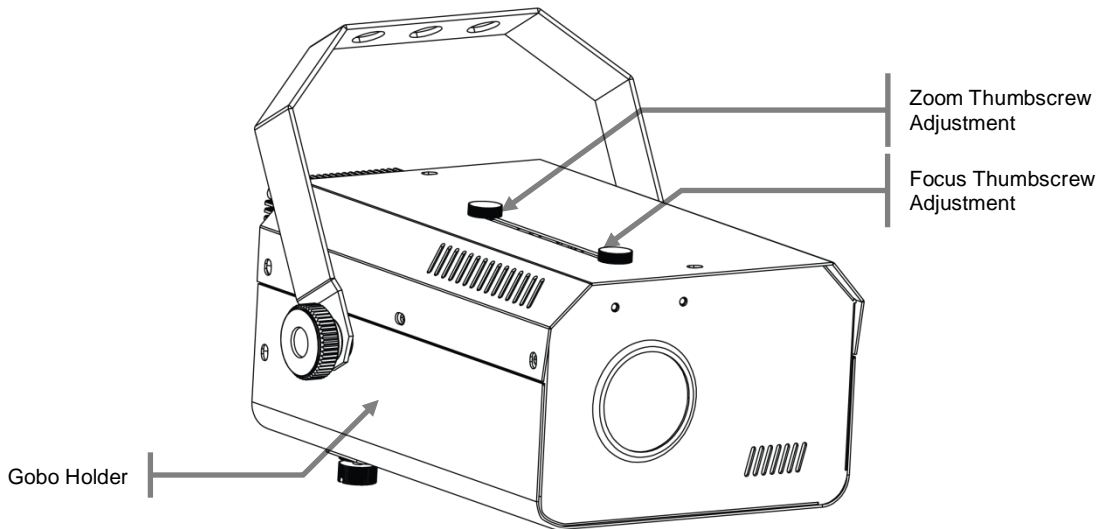
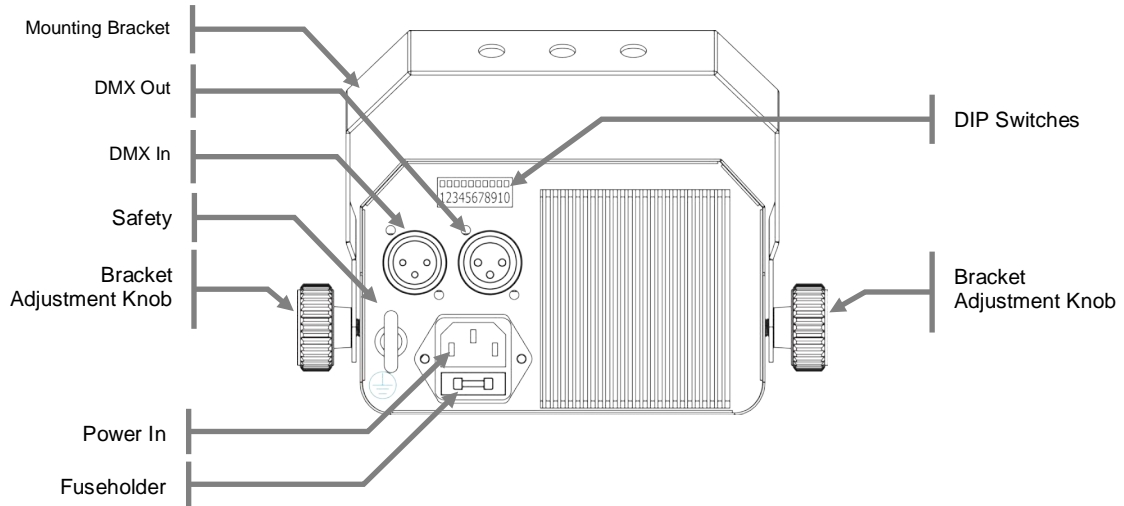


Please read these instructions carefully. It includes important information about the installation, usage and maintenance of this product.

- Please keep this User Manual for future consultation. If you sell the unit to another user, be sure that they also receive this instruction booklet.
- Always make sure that you are connecting to the proper voltage, and that the line voltage you are connecting to is not higher than that stated on the decal or rear panel of the product.
- This product is intended for indoor use only! To prevent risk of fire or shock, do not expose product to rain or moisture.
- Make sure there are no flammable materials close to the unit while operating.
- The unit must be installed in a location with adequate ventilation, at least 20 in (50 cm) from adjacent surfaces. Be sure that no ventilation slots are blocked.
- Always disconnect from power source before servicing or replacing fuse and be sure to replace with same fuse source.
- Secure product to fastening device using a safety chain.
- Maximum ambient temperature (Ta) is 104° F (40° C). Do not operate product at temperatures higher than this.
- In the event of a serious operating problem, stop using the unit immediately. Never try to repair the unit by yourself. Repairs carried out by unskilled people can lead to damage or malfunction. Please contact the nearest authorized technical assistance center.
- Never connect the device to a dimmer pack.
- Make sure the power cord is never crimped or damaged.
- Never disconnect the power cord by pulling or tugging on the cord.
- Never carry the product directly from the cord. Always use the hanging/mounting bracket.
- Avoid direct eye exposure to the light source while it is on.

2. INTRODUCTION

Product Overview



3. SETUP

AC Power

This product runs on 100~240 VAC, 50/60 Hz. Before powering on the unit, make sure the line voltage to which you are connecting it is within the range of accepted voltages.

To determine the power requirements for a particular product, see the label affixed to the back plate of the product or refer to the product's specifications chart. A product's listed current rating indicates its average current draw under normal conditions.



Always connect the product to a switched circuit. Never connect the product to a rheostat (variable resistor) or dimmer circuit, even if the rheostat or dimmer channel is used only as a 0 to 100% switch.



Always connect the product to a circuit with a suitable electrical ground.

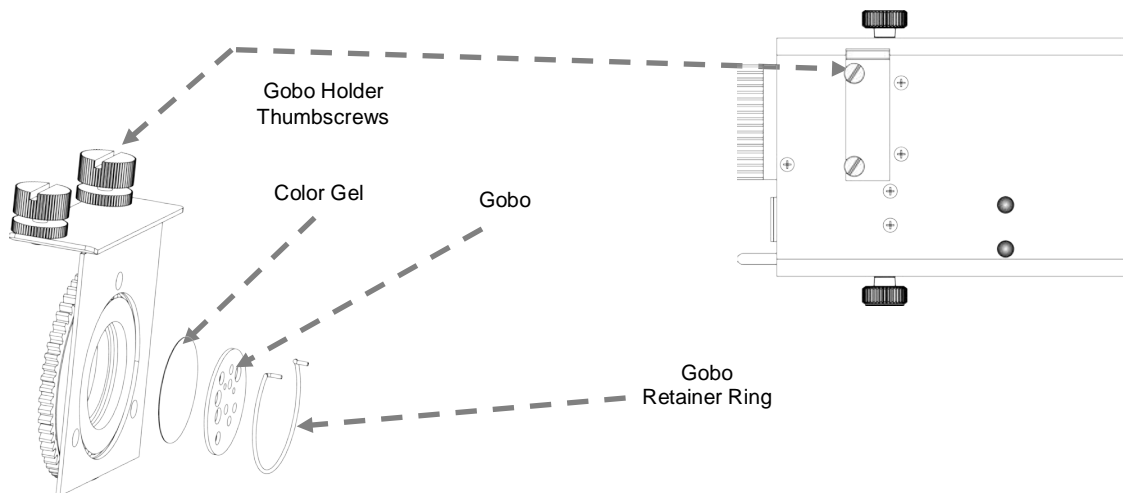
Replacing the Gobo/Color Gel

This product has replaceable gobos and colored gels. See the instructions below.

1. Remove power to the Gobo Zoom™ LED 2.0.
2. On the underside of the product, locate the two thumbscrews that secure the gobo holder in place.
3. Remove the thumbscrews and carefully slide the gobo holder vertically apart from the product.
4. Locate the gobo retainer ring and remove it. Use caution for this step, as the retainer ring will be under tension. This may cause the ring to be difficult to remove, as well as unstable after removal. Be careful not to lose it.
5. Remove any gobo that may already be installed.
6. Place the new color gel and gobo in position in the gobo holder, shown below.
7. Reinstall the gobo retainer ring securely.
8. Slide the gobo holder back into the product and tighten the two thumbscrews.



NOTE: To make your own gobos, buy any transparency from an office supply store that is less than 1 mm thick. See www.chauvetlighting.com for more information. Rotating gobo size: 28.6 mm outside, 26 mm image.



Mounting

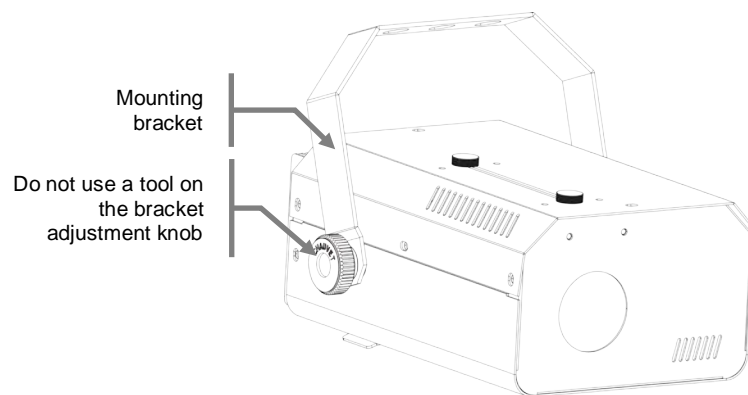
Orientation

The Gobo Zoom™ LED 2.0 may be mounted in any position, provided there is adequate room for ventilation.

Rigging

Be sure that the structure can support the weight of the product. Please see the “Technical Specifications” section of this manual for a detailed weight listing. Mount the product securely. This may be done with a screw, nut and bolt, or a hanging clamp. The hole in each bracket is 13 mm in size. When rigging consider routine maintenance and control panel access. Please see the following notes on installation.

- When aiming the products, you may use the bracket adjustment knob. Loosen the knob, adjust to the desired angle, and then tighten the knob by turning clockwise. Do not use tools for this step, as it may cause damage.
- Safety cables must always be used.



4. OPERATING INSTRUCTIONS

Configuring the Starting Address

The Gobo Zoom™ LED 2.0 product uses **two** DMX channels. The highest channel that the product may be set to in order to function properly is **511**. Any address higher than this will prevent access to all of the channels.

If this is your first time using DMX, we recommend reading the “DMX Primer” section in the “Appendix”.

DMX Operation

This is the operating mode which will allow for control with an external DMX controller. You must set the starting address for this mode. If this is your first time using DMX, then it is recommended that you refer to the “DMX Primer” section in the “Appendix” of this manual.

Mode	DIP switches
DMX	1~9 = set to the DMX starting address 10 = On (DMX mode)

Standalone

This product has preprogrammed operating modes. These are accessed via the DIP switches on the back of the product.

DIP switch [10] must be OFF in this mode.

Please see the chart below for further explanation.

<u>Mode</u>	<u>DIP switches</u>
100% Dimmer, Slow Rotation Speed	1 = ON
100% Dimmer, Medium Rotation Speed	2 = ON
Speed	3 = ON
100% Dimmer, Fast Rotation Speed	4 = ON
100% Dimmer, No Rotation	



The DIP switches will not work together. Higher the switch values have higher priority. Only use one out of the four modes listed above!

DMX Channel Values

CHANNEL	VALUE	FUNCTION
1	000 ⇔ 255	Dimmer 0%~100%
2	000 ⇔ 255	Gobo Rotation Slow~fast



The product ships with the gobos shown below.



5. APPENDIX

General Troubleshooting

SYMPTOM	POSSIBLE CAUSE(S)	POSSIBLE ACTION(S)
Breaker/Fuse keeps blowing	<ul style="list-style-type: none"> Excessive circuit load Short circuit along the power wires 	<ul style="list-style-type: none"> Check total load placed on the electrical circuit. Check for a short in the electrical wiring (internal and/or external).
Device does not power up	<ul style="list-style-type: none"> No power Loose power cord 	<ul style="list-style-type: none"> Check for power on Mains. Check power cord
Product is not responding to DMX	<ul style="list-style-type: none"> Wrong DMX addressing Damaged DMX cables Wrong polarity settings on the controller Loose DMX cables Faulty DMX interface Faulty Main PCB 	<ul style="list-style-type: none"> Check Control Panel and unit addressing Check DMX cables Check polarity switch settings on the controller Check cable connections Replace DMX input Replace Main PCB
Loss of signal	<ul style="list-style-type: none"> Non DMX cables Bouncing signals Long cable / Low level signal Too many products Interference from AC wires 	<ul style="list-style-type: none"> Use only DMX compatible cables Install terminator as suggested. Install amplifier right after product with strong signal. Install an optically coupled DMX splitter after unit #32. Keep DMX cables separated from power cables or black lights.



If you still have a problem after trying the above solutions, please contact CHAUVET® Technical Support.

General Maintenance

To maintain optimum performance and minimize wear, products should be cleaned frequently. Usage and environment are contributing factors in determining frequency. As a general rule, products should be cleaned at least twice a month. Dust build up reduces light output performance and can cause overheating. This can lead to reduced lamp life and increased mechanical wear. Be sure to power off product before conducting maintenance.

- Unplug product from power.
- Use a vacuum or air compressor and a soft brush to remove dust collected on external vents.
- Clean all lenses when the product is cool with a mild solution of glass cleaner or Isopropyl Alcohol and a soft lint free cotton cloth or lens tissue.
- Apply solution to the cloth or tissue and drag dirt and grime to the outside of the lens.
- Gently polish optical surfaces until they are free of haze and lint.

The cleaning of external optical lenses and/or mirrors must be carried out periodically to optimize light output. Cleaning frequency depends on the environment in which the product operates. Damp, smoky or particularly dirty surroundings can cause greater accumulation of dirt on the unit's optics. Clean with soft cloth using normal glass cleaning fluid. Clean the external optics at least every 20 days. Clean the product at least every 30/60 days.



Always dry the parts carefully after cleaning them.



Never spin a fan using compressed air.

Returns

Returned merchandise must be sent prepaid and in the original packing; call tags will not be issued. Package must be clearly labeled with a Return Merchandize Authorization Number (RMA #). Products returned without the RMA # will be refused. Call CHAUVET® and request an RMA # prior to shipping the product. Be prepared to provide the model number, serial number and a brief description of the cause for the return. Be sure to pack product properly; any shipping damage resulting from inadequate packaging is the customer's responsibility. As a suggestion, proper UPS packing or double-boxing is always a safe method to use. CHAUVET® reserves the right to use its own discretion to repair or replace product(s).



If you are given an RMA #, please include the following information on a piece of paper inside the box:

- 1) Your name
- 2) Your address
- 3) Your phone number
- 4) The RMA #
- 5) A brief description of the symptoms

TECHNICAL SPECIFICATIONS

WEIGHT & DIMENSIONS

Length9 in (230 mm)
Width7 in (186 mm)
Height7 in (182 mm)
Weight4.4 lbs (2 kg)

POWER

Auto-ranging power supply100~240 VAC, 50/60 Hz
Power consumption @ 120 V18 W (0.3 A) max, 0.2 A inrush
Power consumption @ 230 V17 W (0.2 A) max, 0.2 A inrush

GOBO DIMENSIONS

Outside28.6 mm
Image26 mm
Maximum thickness1 mm

LIGHT SOURCE

Typehigh-power, single source LED
Quantity1
Rating (white)(15 W) 4 A, 50,000 hrs

PHOTO OPTIC

Zoom angle18°~25°

INDOOR/OUTDOOR

RatingFor indoor use only

THERMAL

Maximum ambient temperature104° F (40° C)

CONTROL & PROGRAMMING

Data inputlocking 3-pin XLR female socket
Data outputlocking 3-pin XLR male socket
Data pin configurationpin 1 shield, pin 2 (-), pin 3 (+)
ProtocolDMX-512 USITT
DMX Channels2

ORDERING INFORMATION

Gobo Zoom™ LED 2.0GOBOZOOMLED2

WARRANTY INFORMATION

Warranty2-year limited warranty



UL 1573

CSA C22.2 No. 166

E113093

Contact Us

World Headquarters

CHAUVET®

General Information

Address: 5200 NW 108th Avenue
Sunrise, FL 33351
Voice: (954) 929-1115
Fax: (954) 929-5560
Toll free: (800) 762-1084

Technical Support

Voice: (954) 929-1115 (Press 4)
Fax: (954) 756-8015
Email: tech@chauvetlighting.com

World Wide Web
www.chauvetlighting.com

United Kingdom & Ireland

CHAUVET® Europe Ltd.

General Information

Address: Unit 1C
Brookhill Road Industrial Estate
Pinxton, Nottingham, UK
NG16 6NT

Voice: +44 (0)1773 511115
Fax: +44 (0)1773 511110

Email: uktech@chauvetlighting.com

World Wide Web
www.chauvetlighting.co.uk