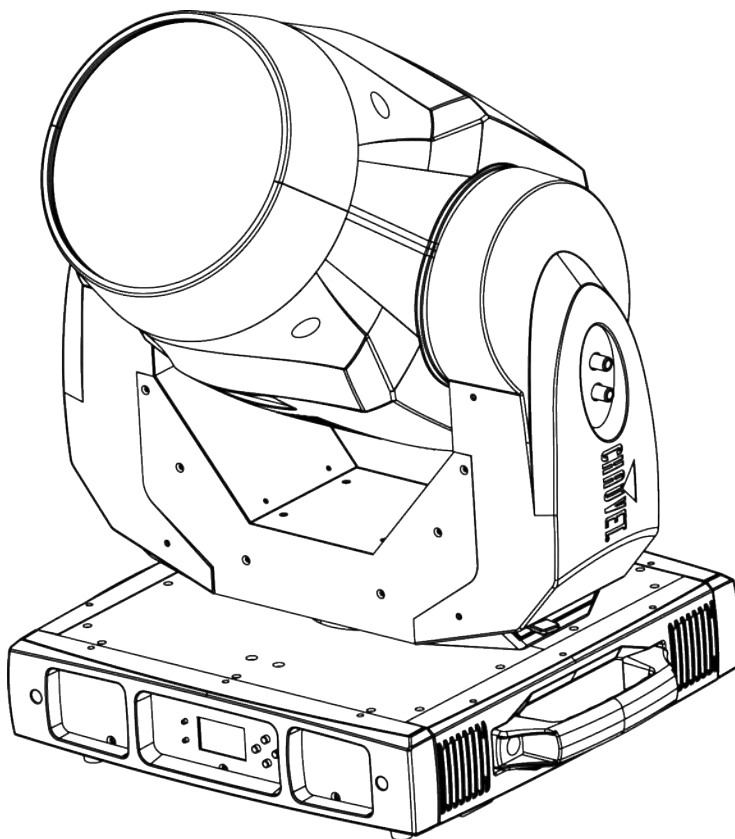




*Legend*TM

*300E
BEAM*

User Manual



CHAUVET[®]

Edition Notes

The Legend 300E Beam User Manual Rev. 01f covers the description, safety precautions, installation, programming, operation, and maintenance of the Legend 300E Beam. CHAUVET® released this edition of the Legend 300E Beam User Manual Rev. 01f in September 2010.

Trademarks

CHAUVET® is a registered trademark of CHAUVET & Sons Inc. (d/b/a CHAUVET® or Chauvet). The CHAUVET® logo in its entirety including the Chauvet name and the dotted triangle, and all other trademarks on this manual pertaining to services, products, or marketing statements (example: It's Green Thinking™) are owned or licensed by CHAUVET®. Any other product names, logos, brands, company names, and other trademarks featured or referred to within this document are the property of their respective trademark holders.

Copyright Notice

CHAUVET® owns the content of this user manual in its entirety, including but not limited to pictures, logos, trademarks, and resources.

© Copyright 2010 CHAUVET®

All rights reserved

Electronically published by CHAUVET® in the United States of America

Manual Usage

CHAUVET® authorizes its customers to download and print this manual for professional information purposes only. CHAUVET® expressly prohibits the usage, copy, storage, distribution, modification, or printing of this manual or its content for any other purpose without its written consent.

Document Printing

For better results, print this document in color, on letter size paper (8.5 x 11 inches), double sided. If using A4 paper (210 x 297 mm), configure your printer to scale the content of this document to A4 paper.

Intended Audience

Any person in charge of installing, operating, and/or maintaining the Legend 300E Beam should read the guide that shipped with it as well as this manual in their entirety before installing, operating, or maintaining this product.

Disclaimer

CHAUVET® believes that the information contained in this manual is accurate in all respects. However, CHAUVET® assumes no responsibility for any error or omissions in this document. CHAUVET® reserves the right to revise this document and to make changes from time to time in the content hereof without obligation of CHAUVET® to notify any person or company of such revision or changes. This does not constitute in any way a commitment by CHAUVET® to make such changes. CHAUVET® may issue a revision of this manual or a new edition of it to incorporate such changes.

CHAUVET® Publications Hot Line

If you have any comments about the accuracy of this document or general suggestions regarding how we can improve it, please call us at (800) 762-1084 (US callers) or +1-954-929-1115 (international callers). You can download the latest versions of all CHAUVET® products' manuals from www.chauvetlighting.com.

Document Revision

The Legend 300E Beam User Manual Rev. 01f supersedes all previous versions of this manual. Please discard any older versions of this manual you may have, whether in printed or electronic format, and replace them with this version.

Author	Editor	Manager	PD Manager
O. Desmonteix	D. Coupee	M. Graham	F. Sellers

Product at a Glance











Use on Dimmer		Auto Programs	
Outdoor Use		Auto-ranging Power Supply	
Sound Activated		Replaceable Fuse	
DMX		User Serviceable	
Master/Slave		Duty Cycle	

Table of Contents

1. Before You Begin	1
What is Included.....	1
Unpacking Instructions	1
Typographic Conventions	1
Icon Meaning.....	1
Safety Notes.....	2
2. Introduction	3
Product Description	3
Features.....	3
<i>Additional Features</i>	3
<i>Options</i>	3
DMX Channel Summary	4
<i>Mode 1</i>	4
<i>Mode 2</i>	4
Product Overview	5
3. Setup	6
AC Power	6
<i>AC Plug</i>	6
<i>Fuse Replacement</i>	6
DMX Linking.....	6
<i>DMX Modes</i>	6
Gobo and Color Wheels	7
Gobo Replacement.....	7
Lamp Replacement	8
<i>Increasing the Lamp's Life</i>	8
Mounting	9
<i>Orientation</i>	9
<i>Rigging</i>	9
4. Operation	10
Control Panel Description	10
LCD Display	10
Control Options	10
Programming.....	10
<i>Navigation Buttons</i>	10
<i>DMX Functions</i>	11
<i>Fixture Settings</i>	12
<i>Lamp Settings</i>	13
<i>Display Settings</i>	14
<i>Fixture Tests</i>	15
<i>Fixture Information</i>	15
<i>Reset Functions</i>	16
<i>Special Functions</i>	16
Offset Mode.....	17
<i>Entering Offset Mode</i>	17
Menu Map	18
DMX Values	19
<i>Mode 1</i>	19
<i>Mode 2</i>	20
5. Technical Information	23
General Maintenance	23
Photometrics	23
Error Messages	24



Troubleshooting Guide.....	25
Returns Procedure.....	26
Claims	26
Contact Us.....	26
Technical Specifications.....	27

1. Before You Begin

What is Included

- One Legend 300E Beam
- Two omega clamps
- One Warranty Card
- One Quick Reference Guide

Unpacking Instructions




Immediately upon receiving this product, carefully unpack it and check the container in which you received it. Make sure that you have received all the parts indicated above and that they are all in good condition. If the material inside the container (this product and any other accessory included with it) appears damaged from shipping, or if the container shows signs of mishandling, notify the shipper immediately. In addition, retain the container and all the packing material for inspection.

See the *Claims* section in the *Technical Information* chapter.

Typographic Conventions

Convention	Meaning
1~512	A range of values in the text
50/60	A set of mutually exclusive values in the text
[10]	A DIP switch to be configured
<i>Claims</i>	A new term, or a section or chapter of this document
"COLORado™ UM"	The name of another publication or manual
<SET>	A button on the fixture's control panel
Settings	A fixture function or a menu option
MENU > Settings	A sequence of menu options
1~10	A range of menu values from which to choose in a menu
Yes/No	A set of two mutually exclusive menu options in a menu
ON	A unique value to entered or select in a menu

Icon Meaning

Icon	Meaning
	This icon indicates critical installation, configuration, or operation information. Failure to comply with this information may render the fixture partially or completely inoperative, damage third-party equipment, or cause harm to the user.
	This icon indicates important installation or configuration information. Failure to comply with this information may prevent the fixture from functioning correctly.
	This icon indicates useful, although non-critical information.



The term "DMX" used throughout this document refers to the USITT DMX512-A transmission protocol.

Safety Notes

Please read the following notes carefully because they include important safety information about the installation, usage, and maintenance of this product.

It is important to read all these notes before starting to work with this product.



There are no user serviceable parts inside this product. Any reference to servicing it you may find from now on in this User Manual will only apply to properly CHAUVET® certified technicians. Do not open the housing or attempt any repairs unless you are one of them.



Please refer to all applicable local codes and regulations for the proper installation of this product.



Keep this manual for future consultation. If you sell this product to another user, make sure that they also receive this manual.

Personal Safety

- Avoid direct eye exposure to the light source while the fixture is on.
- Always disconnect this product from its power source before servicing.
- Always connect this product to a grounded circuit to avoid the risk of electrocution.
- Lamp explosion hazard! Do not open the lamp cover within five minutes of having turned off the fixture.
- The bulb remains hot for a long time after turn off. Never touch the bulb barehanded and always handle it by its metallic contacts.
- Do not touch this product's housing when operating because it may be very hot.

Mounting and Rigging

- This product is for indoor use only! To prevent risk of fire or shock, do not expose this product to rain or moisture.
- Make sure there are no flammable materials close to this product while operating.
- When hanging this product, always secure it to a fastening device using a safety cable (not provided).
- Do not carry this fixture from the head; use the handles instead.

Power and Wiring

- Always make sure that you are connecting this product to the proper voltage, as per the specifications in this manual or on the product's sticker.
- Never connect this product to a dimmer pack.
- Make sure the fixture's power cable is not crimped or damaged.
- Never disconnect this product by pulling or tugging on the power cable.

Operation

- Do not operate this fixture if you see damage on the housing, lenses, ultraviolet filter, or cables; have the damaged parts replaced by an authorized technician at once.
- Do not aim this fixture toward any surface closer than 16 feet (5 m). Otherwise, you may damage or overheat the illuminated surface.
- Do not cover the ventilation slots when the fixture is operating to avoid internal overheating.
- Do not aim this fixture toward the Sun. Otherwise, the lenses could concentrate the solar energy and cause internal overheating.
- The maximum ambient temperature (Ta) is 104° F (40° C). Do not operate this product at a higher temperature.
- In case of a serious operating problem, stop using this product immediately!



In the unlikely event that your Legend 300E Beam may require service, please contact CHAUVET® Technical Support.

2. Introduction

Product Description

The Legend 300E Beam is a compact, electronic moving yoke beam fixture equipped with a 300-watt HID lamp. It includes a color wheel with eight slots plus white. It also comes with one gobo wheel with seven rotating slot-n-lock gobos plus open. It also includes remote focus and a rotating 3-facet prism.

Features

- 17 or 25-channel compact, fully electronic, 300-watt moving yoke beam
- Pan: 540°
- Tilt: 270°
- Color wheel: 7 colors + white
Split/linear colors
Color wheel spins at variable speed
- Gobo wheel: Indexed, rotating gobo wheel with gobo shake
7 metal, slot-n-lock gobos + open
Gobo wheel spins at variable speed
16-bit gobo rotation
- Variable frost
- CTC filters (5,600 K and 3,200 K)
- CMY color mixing system with vector speed adjustments
- 3-facet rotating prism
- Variable shutter
- Variable 16-bit dimming (0~100%)
- Individual reset of pan/tilt, color, gobo, shutter, and prism
- Move-in-black for pan/tilt, color, gobo
- Remote fixture reset, lamp on/off, and vector speed adjustments
- Built-in movement macros with range adjustments
- Built-in color macros
- Battery powered display

Additional Features

- 3-pin and 5-pin DMX connections
- User-configurable lamp ignition delay
- User-configurable maintenance reminder
- Electronic ballast with power factor correction
- Electronic power supply
- Automatic pan & tilt correction
- Pan & tilt locks
- Lamp & fixture use timers
- Power saver mode

Options

- W-DMX (wireless DMX) receiver
- W-DMX (wireless DMX) transmitter

DMX Channel Summary

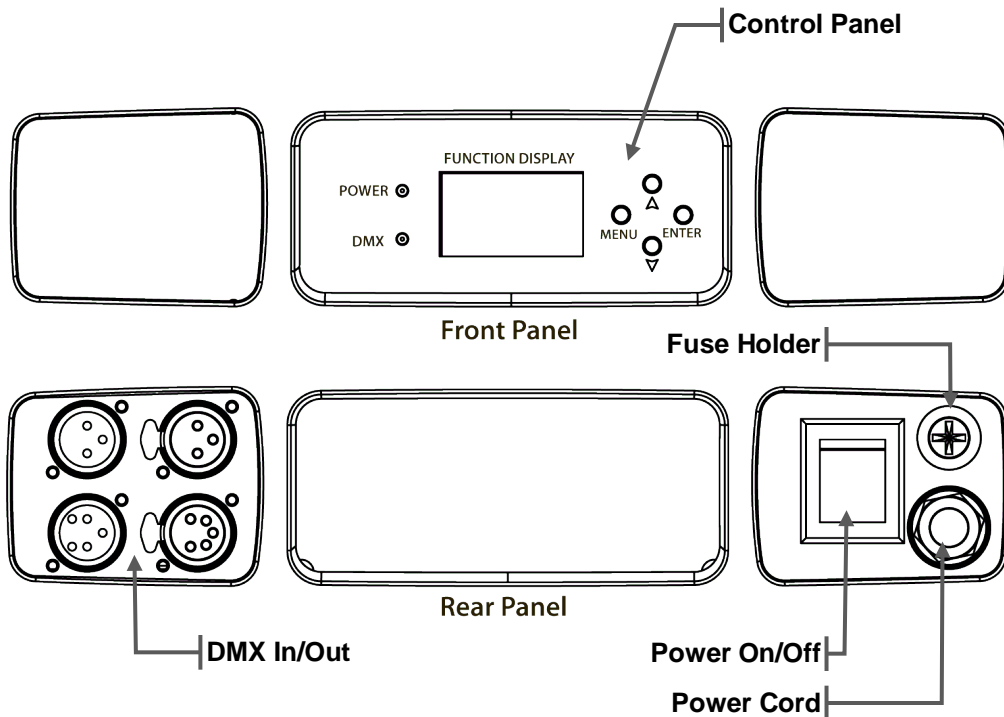
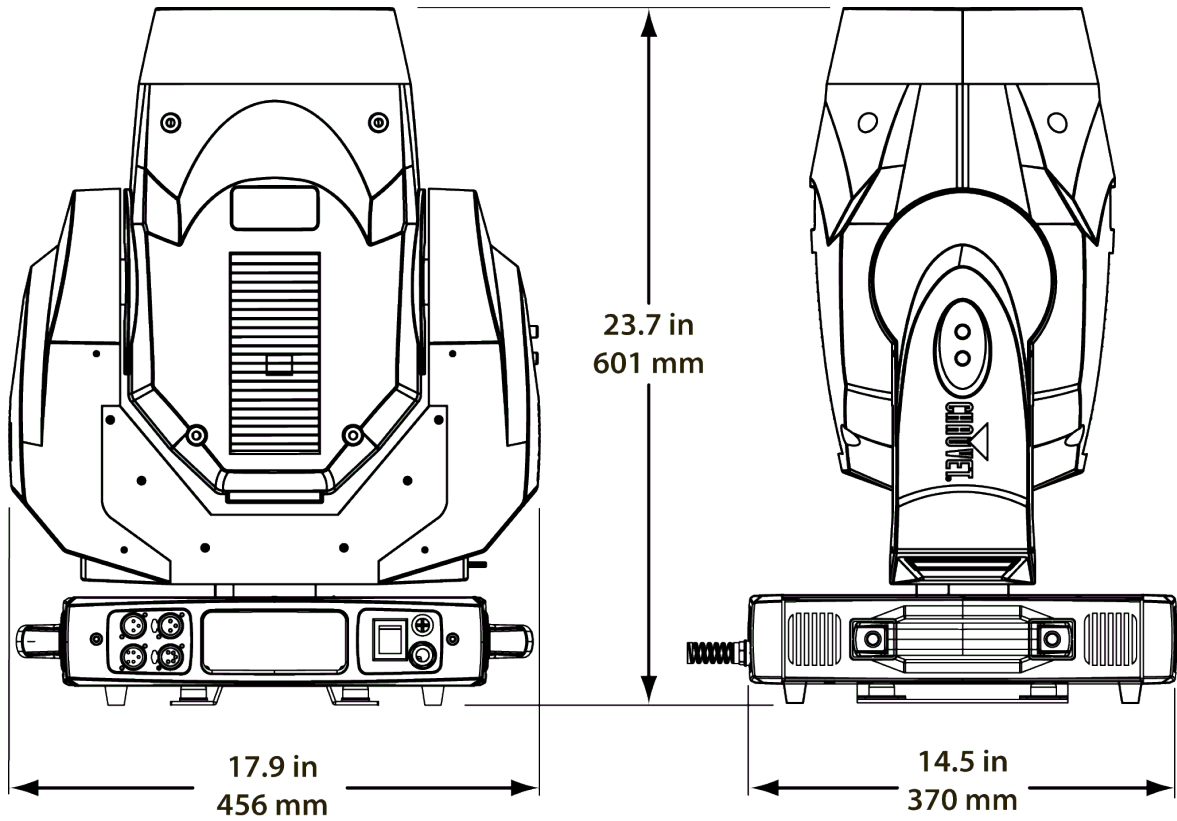
Mode 1

DMX Channel	Function
1	Pan
2	Pan Fine
3	Tilt
4	Tilt Fine
5	Pan/Tilt Speed
6	Dimmer
7	Shutter
8	Color
9	Cyan
10	Magenta
11	Yellow
12	Gobo
13	R-Gobo
14	Prism
15	R-Prism
16	Frost
17	Function

Mode 2

DMX Channel	Function
1	Pan
2	Pan Fine
3	Tilt
4	Tilt Fine
5	Pan/Tilt Speed
6	Dimmer
7	Dimmer Fine
8	Shutter
9	Color
10	Cyan
11	Magenta
12	Yellow
13	CMY Speed
14	Gobo
15	R-Gobo
16	R-Gobo Fine
17	Prism
18	R-Prism
19	R-Prism Fine
20	Frost
21	P/T Macro
22	P/T Macro Speed
23	Preset Color
24	Color Macro
25	Function

Product Overview



3. Setup

AC Power

The Legend 300E Beam has an auto-ranging power supply that can work with an input voltage range of 100~240 VAC, 50/60 Hz.

Make sure that you are connecting this product to the proper voltage, as per the specifications in this guide, the product's user manual, or on the product's sticker.



Always connect the Legend 300E Beam to a protected circuit with an appropriate electrical ground to avoid the risk of electrocution or fire.

To determine the power requirements for the Legend 300E Beam see the label affixed to the side of the fixture. Alternatively, you may refer to the corresponding specifications chart in the *Technical Information* chapter of this manual.

The listed current rating indicates the maximum current draw during normal operation. Please refer to the *Sizing the Circuit Breakers* section in the *Appendix* chapter of this manual.



Never connect the Legend 300E Beam to a rheostat (variable resistor) or dimmer circuit, even if the rheostat or dimmer channel serves only as a 0 to 100% switch.

AC Plug

The Legend 300E Beam comes with a bare ended power input cord. The fixture side of this power cord enters the fixture through a strain reliever (rubber boot) and it cannot be disconnected from the fixture. Use the table below to wire the plug to the power cord.

Connection	Wire (US)	Wire (Europe)	Screw Color
AC Live	Black	Brown	Yellow or Brass
AC Neutral	White	Blue	Silver
AC Ground	Green/Yellow	Green/Yellow	Green



Make sure to disconnect the fixture's power cord before replacing a blown fuse, and always replace it with a fuse of the same type and rating.

Fuse Replacement

- 1) With a Philips screwdriver, unscrew the fuse holder out of its housing and remove the blown fuse from its holder.
- 2) Replace the blown fuse with a fuse of the exact same type and rating.
- 3) Reverse step 1 and reconnect power.

DMX Linking

You may link the Legend 300E Beam to a DMX controller using a standard DMX serial connection. If using other DMX compatible fixtures with the Legend 300E Beam, it is possible to control them individually with a single DMX controller.

If you are not familiar with the DMX standard, you may download the "DMX Primer" document from the CHAUVET® Web site.

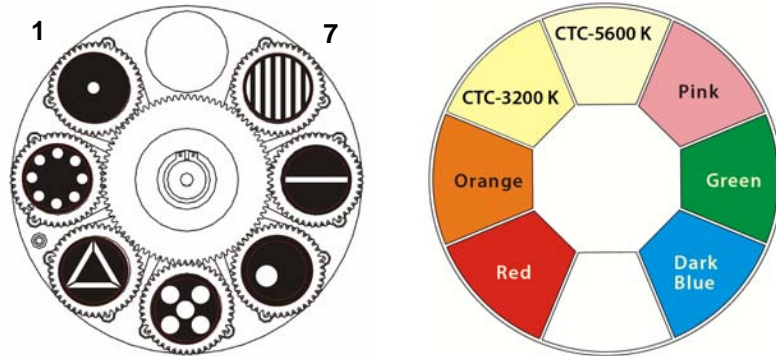
DMX Modes

The Legend 300E Beam uses the standard DMX data connection for its DMX Modes (Mode 1 and Mode 2). You will find information about these DMX modes in the *Introduction* chapter (brief description), the *Operation Instructions* chapter (configuration details), and the *DMX Values* section (individual channel values)

Gobo and Color Wheels

The Legend 300E Beam has one gobo wheel, which contains seven gobos mounted on rotating holders. Each rotating gobo occupies its own gobo plate, which is easily removable from the gobo wheel. The diagram below shows the installed gobos.

The Legend 300E Beam includes a rotating color wheel with seven filters, as shown below.



Gobo Replacement



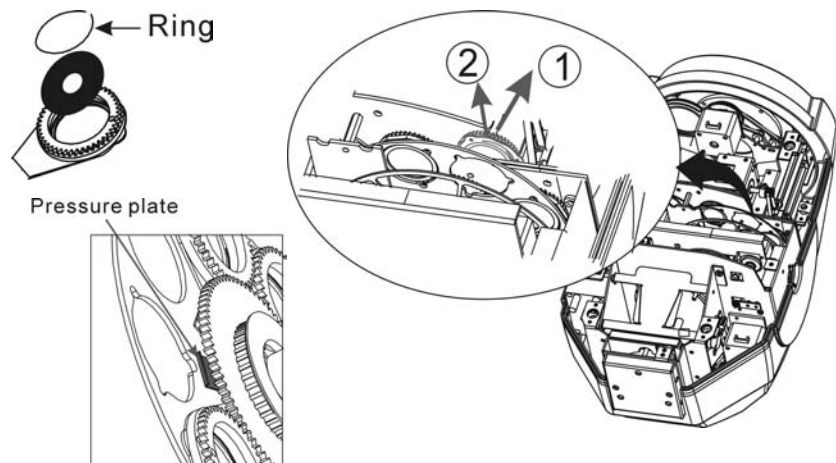
The gobos in the Legend 300E Beam's gobo wheel are removable from their gobo plates. This operation is quite simple, although it requires the technician to be careful and to follow the recommended procedure.

- **Make sure to disconnect the fixture's power cord before replacing a gobo**
- **Always replace a gobo with a gobo of the same dimensions.**
- **When inserting a glass gobo, always make sure that the shiny side of the gobo (glass base) faces the lamp. This provides a layer of protection against the high temperature from the lamp.**

Procedure

- 1) Turn the fixture off and disconnect it from the power outlet.
- 2) Open the head cover by loosening the four fastening screws at the sides of the top cover.
- 3) Separate the gobo plate away from the gobo wheel by pushing it toward the front of the moving head (direction 1 in the diagram). Be careful not to push the gobo out of the gobo plate.
- 4) Extract the gobo plate by pulling it outward (direction 2 in the diagram).
- 5) On a flat surface, remove the expansion ring that holds the gobo in place and remove the gobo from the gobo plate.
- 6) Insert a new gobo and hold it in place with the expansion ring.
- 7) Slide the tip of the gobo plate under the pressure plate near the center of the gobo wheel.
- 8) Push the gobo plate inwards. **DO NOT** force the gobo plate into the gobo wheel slot. If correctly installed, the gobo plate should accommodate itself in the gobo wheel slot.

Gobo Replacement Diagram



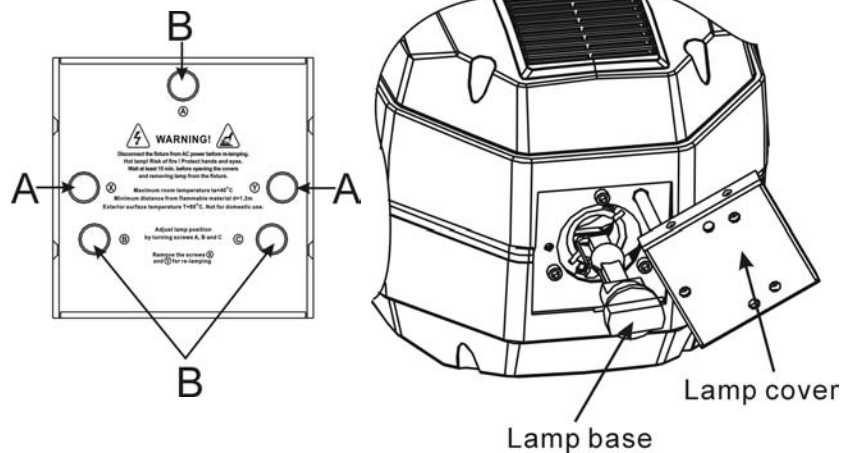
Lamp Replacement

Procedure

The Legend 300E Beam is equipped with a Philips MSR Gold 300/2 lamp. This lamp uses a socket called FastFit, which allows for fast and easy lamp changes. Follow the procedure below to safely change the Legend 300E Beam's lamp.

- 1) Turn the fixture off and disconnect it from the power outlet.
- 2) Wait at least 15 minutes for the lamp to cool down.
- 3) Loosen the two screws on the lamp cover (marked "A" in the diagram).
- 4) Lift and rotate the lamp cover as per the diagram to expose the base of the lamp.
- 5) Rotate the ceramic base of the lamp 90° counterclockwise.
- 6) Pull the lamp out by holding it from its base only.
- 7) Insert the new lamp and turn it 90° clockwise.
- 8) Reverse steps 3 and 4.
- 9) Use the adjustment screws (marked "B" in the diagram) to position the lamp in the center of the reflector to obtain the best output.

Lamp Replacement Diagram



Increasing the Lamp's Life

- ALWAYS turn the lamp off by using the DMX controller or the fixture's control panel. Then wait at least five minutes before switching off the fixture. This will keep the fans running to extract any remaining heat from the fixture's head.
- DO NOT power cycle the fixture unless it is necessary.
- DO NOT touch the lamp without wearing gloves to avoid leaving grease on the bulb or on the contacts that could reduce the lamp's life.
- ALWAYS change the lamp when it has reached its recommended lifespan to avoid the risk of lamp explosion.

Mounting

Before mounting this fixture, read and follow the safety recommendations indicated in the *Safety Notes* (page 2 of this manual).

Orientation

Always mount this fixture in any safe position while making sure that there is adequate room around it for ventilation.

Make sure to mount this fixture away from any flammable material as indicated in the *Safety Notes* section (page 2 of this manual).

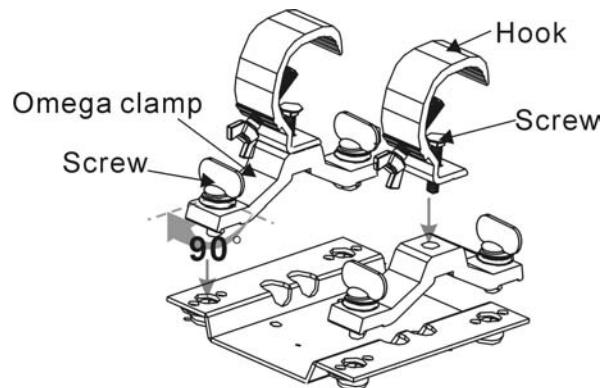
Rigging

CHAUVET® recommends following the general guidelines below when mounting the Legend 300E Beam.

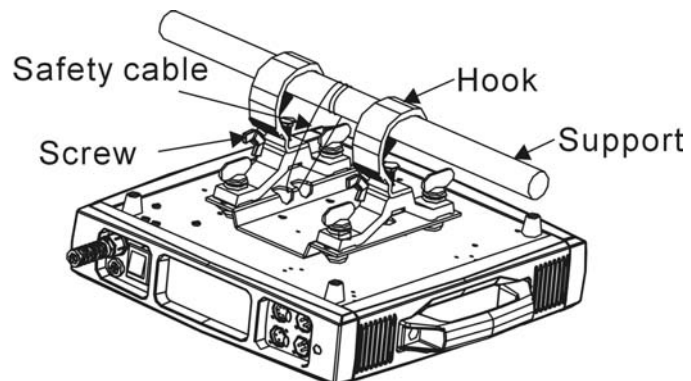
- When selecting an installation location, consider ease of access to the fixture for operation, programming adjustments, and routine maintenance.
- Never mount the fixture in places where rain, high humidity, extreme temperature changes, or restricted ventilation may affect it.
- If hanging this fixture, make sure that the location where you are mounting the fixture can support its weight. Please see the *Technical Specifications* section of this manual for the weight requirement of this fixture.

Procedure

The Legend 300E Beam comes with an already installed mounting bracket to which you will be able to attach the two included omega clamps. Be aware that you will have to use two mounting points per fixture. In addition, you will have to use a safety cable (not included) to link the fixture to the structure.



**Product Mounting
Diagram**



4. Operation

Control Panel Description

Button	Function
<MENU>	Exits from the current menu or function
<ENTER>	Enables the currently displayed menu or sets the currently selected value in to the current function
<UP>	Navigates upwards through the menu list and increases the numeric value when in a function
<DOWN>	Navigates downwards through the menu list and decreases the numeric value when in a function

LCD Display

The Legend 300E Beam features a backlit liquid crystal display (LCD) that provides plenty of information regarding the fixture's settings and status. In addition, the LCD is reversible. This allows reading it normally whether the fixture is on the floor or hanging from a truss.



Upon power up, the LCD will show the Legend logo and the fixture identification, as shown on the left figure above. After completing the power up tests, the LCD will show the DMX address, the DMX mode, and the temperature, along with the warning sign if the tests have detected an error.



Press <ENTER> to read the corresponding error message (see *Error Messages* in the *Technical Information* section).

Press <ENTER> while looking at the error messages to clear them.

Control Options

You can set the Legend 300E Beam start address in the 001~512 DMX range. This allows for the control of up to 20 fixtures in the 25-channel Mode 2. The Legend 300E Beam works with any compatible DMX controller using standard DMX cables or the optional W-DMX receiver.

Programming

Carry out all the programming procedures indicated below from the control panel. Refer to the *Menu Map* page to learn how the menu options relate to each other

Navigation Buttons

To enter programming mode, press <MENU> until you see the Main Menu.

To highlight a menu option or to change a setting, press <UP> or <DOWN>.

To change menu levels as shown in the *Menu Map*, press <ENTER> or <MENU>. This is equivalent to moving right and left of the Menu Map, respectively.

To accept the current or new value, press <ENTER>.

To return to the previous menu without making changes, press <MENU>.

To exit programming mode, press <MENU> until you see the Main Menu or do not press any button for 30 seconds.

Continues on the next page

Continued from previous page

DMX Functions

From the Main Menu, highlight **DMX Functions** and press <ENTER> (a new menu with the DMX functions will open).

DMX Address

- 1) Highlight **DMX Address** (the current address will show).
- 2) Press <MENU> to exit or continue below.
- 3) To change the current address, press <ENTER> (a pop up window will open).
 - a) Change the starting address (**001-512**).
 - b) Accept the new value.

DMX Mode

- 1) Highlight **DMX Channel Mode** (the current mode will show).
- 2) Press <MENU> to exit or continue below.
- 3) To change the current mode, press <ENTER> (a pop up window will open).
 - a) Select a DMX mode (**Mode 1/Mode 2**).
 - b) Accept the selected option.

View DMX Values

- 1) Highlight **View DMX Value**.
- 2) Press <MENU> to exit or continue below.
- 3) Press <ENTER> (the value for each of the attributes of the current DMX mode will show).
 - a) Scroll along the list to see the values of all the current attributes.
 - b) Return to the previous menu.



The list will show either 17 or 25 attributes, depending on the current DMX mode.

W-DMX Settings

- 1) Highlight **WDMX Setting**
- 2) Press <MENU> to exit or continue below.
- 3) To see the WDMX settings, press <ENTER> (a sub-menu will open).
- 4) Press <MENU> to exit or continue below.
- 5) To activate or deactivate W-DMX, highlight **Active** (the current setting will show) and press <ENTER> (a pop up window will open).
 - a) Select **YES** to activate W-DMX or **NO** to deactivate W-DMX.
 - b) Accept the selected option.
- 6) To enable or disable retransmission, highlight **Retransmit** (the current setting will show) and press <ENTER> (a pop up window will open).
 - a) Select **YES** to enable retransmission or **NO** to deactivate retransmission.
 - b) Accept the selected option.
- 7) To reset the memory, highlight **Reset Memory** and press <ENTER> (a pop up window will open).
 - a) Select **YES** to reset the memory or **NO** to exit without resetting.
 - b) Accept the selected option.
- 8) Return to the previous menu.



The W-DMX functionality requires the W-DMX transceiver installed on the Legend 300E Beam fixture.

Continues on the next page

Continued from previous page

- Fixture Settings** From the Main Menu, highlight **Fixture Settings** and press <ENTER> (a new menu with the fixture settings will open).
- Reverse Pan Direction**
- 1) Highlight **Pan Inverse** (the current setting will show).
 - 2) To reverse the pan direction, press <ENTER> (a pop up window will open).
 - a) Select **YES** to reverse the pan direction or **NO** to use the normal pan direction.
 - b) Accept the selected option.
- Reverse Tilt Direction**
- 1) Highlight **Tilt Inverse** (the current setting will show).
 - 2) To reverse the tilt direction, press <ENTER> (a pop up window will open).
 - a) Select **YES** to reverse the tilt direction or **NO** to use the normal tilt direction.
 - b) Accept the selected option.
- Head Motion Black Out**
- 1) Highlight **Bl.o P/T Moving** (the current setting will show).
 - 2) To black out the output when the head moves, press <ENTER> (a pop up window will open).
 - a) Select **YES** to black out the output when the head tilts or pans, or **NO** to keep the output on while the head moves.
 - b) Accept the selected option.
- Color Change Black Out**
- 1) Highlight **Bl.o Color Change** (the current setting will show).
 - 2) To black out the output when the color wheel changes, press <ENTER> (a pop up window will open).
 - a) Select **YES** to black out the output during a color change or **NO** to keep the output on to see the color changing.
 - b) Accept the selected option.
- Gobo Change Black Out**
- 1) Highlight **Bl.o Gobo Change** (the current setting will show).
 - 2) To black out the output when the gobo wheel changes, press <ENTER> (a pop up window will open).
 - a) Select **YES** to black out the output during a gobo change or **NO** to keep the output on to see the gobo changing.
 - b) Accept the selected option.

Continues on the next page

Continued from previous page

Lamp Settings

From the Main Menu, highlight *Fixture Settings* and press <ENTER>.



The lamp will not ignite if the ambient temperature is 104° F (45° C) or higher.

Lamp On / Off

- 1) Highlight **On/Off** (the current setting will show).
- 2) To turn the lamp on or off, press <ENTER> (a pop up window will open).
 - a) Select **ON** to turn the lamp on or **OFF** to turn the lamp off.
 - b) Accept the selected option.

Lamp Status During Power On

- 1) Highlight **State/Power On** (the current setting will show).
- 2) To change the lamp status during power on, press <ENTER> (a pop up window will open).
 - a) Select **ON** to turn on the fixture and the lamp simultaneously or **OFF** to turn on the fixture without turning on the lamp.
 - b) Accept the selected option.

Remote Turn Off

- 1) Highlight **Off Via DMX** (the current setting will show).
- 2) To enable/disable remote turn off, press <ENTER> (a pop up window will open).
 - a) Select **YES** to enable fixture turn off from either a DMX controller or its power switch, or **NO** to turn the fixture off only from its power switch.
 - b) Accept the selected option.

Lamp On if DMX Present

- 1) Highlight **On if DMX On** (the current setting will show).
- 2) To turn the lamp on when DMX is present, press <ENTER> (a pop up window will open).
 - a) Select **YES** to turn the lamp on if DMX signal is present, or **NO** to turn the lamp on only from the control panel.
 - b) Accept the selected option.

Lamp Off if DMX Absent

- 1) Highlight **Off if DMX Off** (the current setting will show).
- 2) To turn the lamp off when DMX is absent, press <ENTER> (a pop up window will open).
 - a) Select **YES** to turn the lamp off if DMX signal is absent, or **NO** to turn the lamp off only from the control panel.
 - b) Accept the selected option.

Fan Speed

- 1) Highlight **Cooling Mode** (the current setting will show).
- 2) To change the fan speed setting, press <ENTER> (a pop up window will open).
 - a) Select **AUTO** to allow the fixture's controller to set the fan speed, or **HIGH** to set the fan speed to high mode.
 - b) Accept the new selection.

Lamp Strike Delay

- 1) Highlight **Ignition Delay** (the current setting will show).
- 2) To set the lamp strike delay, press <ENTER> (a pop up window will open).
 - a) Select the delay before the lamp strikes after power up in seconds (**0~255**).
 - b) Accept the new value.

Fixture Shut Off Delay

- 1) Highlight **Low Power Delay** (the current setting will show).
- 2) To set the lamp shut off delay, press <ENTER> (a pop up window will open).
 - a) Select the delay before the fixture powers off after lamp off in seconds (**0~255**).
 - b) Accept the new value.

Continues on the next page

Continued from previous page

Display Settings

From the Main Menu, highlight **Display Settings** and press <ENTER> (a new menu with the DMX functions will open).

Overturn Display

- 1) Highlight **Display Inverse** (the current setting will show).
- 2) To overturn the display, press <ENTER> (a pop up window will open).
 - a) Select **YES** to turn the LCD around (fixture hanging from a truss) or **NO** to keep the normal LCD view (fixture standing on a surface).
 - b) Accept the selected option.

LCD Backlight Off

- 1) Highlight **Backlight Auto Off** (the current setting will show).
- 2) To configure the LCD backlight, press <ENTER>.
 - a) Select **YES** to automatically turn the LCD backlight off or **NO** to keep the LCD backlight always on.
 - b) Accept the selected option.

Backlight Brightness

- 1) Highlight **Backlight Intensity** (the current setting will show).
- 2) To set the backlight brightness, press <ENTER> (a pop up window will open).
 - a) Select the backlight brightness (**1-10**), being "1" the darkest and "10" the brightest settings.
 - b) Accept the new value.

Temperature Unit

- 1) Highlight **Temperature Unit** (the current setting will show).
- 2) To select the temperature unit, press <ENTER> (a pop up window will open).
 - a) Select **°C** to show the temperature in the Celsius scale or **°F** to show the temperature in the Fahrenheit scale.
 - b) Accept the selected option.

Continues on the next page

Continued from previous page

Fixture Tests

From the Main Menu, highlight **Display Settings** and press **<ENTER>** (a new menu with the test functions will open).

Automatic Fixture Test

- 1) Highlight **Auto Test**.
- 2) To start the built-in test sequence, press **<ENTER>**.
 - a) The fixture will start the test sequence (pan, tilt, color, CMY, gobo selection, gobo rotation, shutter, dimmer, prism activation, prism rotation, frost, zoom, and lamp on/off).
 - b) You can stop the test by pressing **<MENU>**.
 - c) Return to the previous menu.



The automatic fixture test runs only once after activation.

Manual Fixture Test

- 1) Highlight **Manual Test** and press **<ENTER>** (a sub-menu will open).
- 2) Highlight the desired attribute (the current setting will show).
- 3) To change the value of the selected attribute, press **<ENTER>** (a pop up window will open).
 - a) Set the attribute value (**000~255**) (the fixture will assume the new attribute value as you change it, as if you were working with a DMX controller).
 - b) Accept the new value.
- 4) Repeat steps **2** and **3** for the other attributes.
- 5) When done with the test, exit to the previous menu (the values of all tested channels will go back to zero).

Fixture Information

From the Main Menu, highlight **Fixture Information** and press **<ENTER>** (a new menu with the fixture information will open).

Fixture Operation Timer

- 1) Highlight **Fixture Use Time** (the accumulated fixture's operation time will show).



You cannot modify or reset the fixture operation timer.

Lamp Operation Timer

- 1) Highlight **Lamp On Time** (the accumulated lamp's operation time will show).
- 2) To reset the lamp operation timer, press **<ENTER>** (a pop up window will open).
 - a) Select **Reset Time** to reset the timer or **Exit** to exit without resetting.
 - b) Accept the selected option.

Firmware Version

- 1) Highlight **Firmware Version**.
- 2) To see the firmware versions installed, press **<ENTER>** (a sub-menu will open)
 - a) The display will show the current firmware version for each of the four CPU boards (**A** through **D**) in the fixture.
 - b) Return to the previous menu.

Continues on the next page

Continued from previous page

Reset Functions

From the Main Menu, highlight **Reset** and press <ENTER> (a new menu with the resettable attributes will open).



You can leave this sub-menu at any time by pressing <MENU>.

Pan/Tilt Reset

- 1) Highlight **Pan/Tilt** and press <ENTER> (a pop up window will open).
 - a) Select **YES** to reset the pan and tilt movements to their home positions.
 - b) Accept the selected option.

Shutter/Dimmer Reset

- 1) Highlight **Shutter/Dimmer** and press <ENTER> (a pop up window will open).
 - a) Select **YES** to reset the shutter and dimmer to their home positions.
 - b) Accept the selected option.

Color/CMY Reset

- 1) Highlight **Color/CMY** and press <ENTER> (a pop up window will open).
 - a) Select **YES** to reset the color wheel and the CMY filters to their home positions.
 - b) Accept the selected option.

Gobo Reset

- 1) Highlight **Gobo** and press <ENTER> (a pop up window will open).
 - a) Select **YES** to reset the gobo wheel to its home position.
 - b) Accept the selected option.

Prism/Frost Reset

- 1) Highlight **Prism/Frost** and press <ENTER> (a pop up window will open).
 - a) Select **YES** to reset the prism and the frost to their home positions.
 - b) Accept the selected option.

Reset All

- 1) Highlight **All** and press <ENTER> (a pop up window will open).
 - a) Select **YES** to reset all moving optical parts and the moving head to their home positions.
 - b) Accept the selected option.

Special Functions

From the Main Menu, highlight **Special Functions** and press <ENTER> (a new menu with the special functions will open).

Fixture Maintenance Timers

- 1) Highlight **Fixture Maintenance** and press <ENTER> (the current maintenance interval and remaining time will show).
- 2) To change the maintenance interval timer, highlight **Interval** and press <ENTER> (a pop up window will open).
 - a) Select the new interval (in hours).
 - b) Accept the new value.
- 3) To reset the remaining time counter, highlight **Remain Time** and press <ENTER> (a pop up window will open).
 - a) Select **Reset Time** to reset the timer or **Exit** to exit without resetting it.
 - b) Accept the selected option.



It is a good idea to use the Fixture Maintenance Time as a reminder to change the lamp.

Fixture Defaulting

- 1) Highlight **Factory Setting** and press <ENTER> (a pop up window will open).
 - a) Select **YES** to default the fixture to factory settings, or **NO** to exit without resetting.
 - b) Accept the selected option and wait for the fixture to reset.
 - c) Return to the previous menu.

Offset Mode

The Offset Mode provides fine adjustments for the home position of all the moving parts in the optical path as well as the pan and tilt movements. This way, when in their home position, the moving parts do not show any border or reduce the light output.

Entering Offset Mode

- 1) Press **<MENU>** to enter the regular Menu Mode.
- 2) Press **<ENTER>** for more than three seconds to enter the Offset Mode (the Offset Mode menu will show).

Pan

- 1) Select **Pan** and press **<ENTER>** (a pop up window will open).
 - a) Select the new value (-128~127).
 - b) Accept the new value.

Tilt

- 1) Select **Tilt** and press **<ENTER>** (a pop up window will open).
 - a) Select the new value (-128~127).
 - b) Accept the new value.

Shutter

- 1) Select **Shutter** and press **<ENTER>** (a pop up window will open).
 - a) Select the new value (0~255).
 - b) Accept the new value.

Dimmer

- 1) Select **Dimmer** and press **<ENTER>** (a pop up window will open).
 - a) Select the new value (0~255).
 - b) Accept the new value.

Color

- 1) Select **Color** and press **<ENTER>** (a pop up window will open).
 - a) Select the new value (-128~127).
 - b) Accept the new value.

Cyan

- 1) Select **Cyan** and press **<ENTER>** (a pop up window will open).
 - a) Select the new value (0~255).
 - b) Accept the new value.

Magenta

- 1) Select **Magenta** and press **<ENTER>** (a pop up window will open).
 - a) Select the new value (0~255).
 - b) Accept the new value.

Yellow

- 1) Select **Yellow** and press **<ENTER>** (a pop up window will open).
 - a) Select the new value (0~255).
 - b) Accept the new value.

Gobo

- 1) Select **Gobo** and press **<ENTER>** (a pop up window will open).
 - a) Select the new value (-128~127).
 - b) Accept the new value.

R-Gobo

- 1) Select **R-Gobo** and press **<ENTER>**.
 - a) Select the new value (-128~127).
 - b) Accept the new value.

Prism

- 1) Select **Prism** and press **<ENTER>** (a pop up window will open).
- 2) Select the new value (0~255) and press **<ENTER>**.
- 3) Return to the Offset Mode menu.

R-Prism

- 1) Select **R-Prism** and press **<ENTER>** (a pop up window will open).
 - a) Select the new value (-128~127).
 - b) Accept the new value.

Frost

- 1) Select **Frost** and press **<ENTER>** (a pop up window will open).
 - a) Select the new value (0~255).
 - b) Accept the new value.

Menu Map

Main Level	2 nd Level	3 rd Level	4 th Level
DMX Functions	DMX Address	001~512	N/A
	DMX Channel Mode	Mode 1 (17-channel)	N/A
		Mode 2 (25-channel)	N/A
	View DMX Value	N/A	N/A
	WDMX Setting (Requires optional WDMX card)	Active	No/Yes
Retransmit			
Reset Memory			
Fixture Setting	Pan Inverse	No/Yes	N/A
	Tilt Inverse		
	Bl. o P/T Moving		
	Bl. O Color Change		
	Bl. O Gobo Change		
Lamp Setting	On/Off	On/Off	N/A
	State/Power On		
	Off Via DMX	No/Yes	
	On if DMX On		
	Off if DMX Off		
	Cooling Mode	Auto/High	
	Ignition Delay	0~255 s	
	Low Power Delay	0~255 s	
Display Setting	Display Inverse	No/Yes	N/A
	Backlight Auto Off		
	Backlight Intensity	1~10	
	Temperature Unit	°C/°F	
Fixture Test	Auto Test	N/A	N/A
	Manual Test		
Fixture Information	Fixture Use Time	N/A	N/A
	Lamp On Time	Exit/Rest Time	
	Firmware Version	N/A	
Reset Functions	Pan/Tilt	No/Yes	N/A
	Shutter/Dimmer		
	Color/CMY		
	Gobo		
	Prism/Frost		
	All		
Special Functions	Fixture Maintenance	Interval/Remain Time	N/A
	Factory Setting	No/Yes	

DMX Values

<i>Mode 1</i>	Channel	Function	Value	Percent/Setting
	1	Pan	000 ⇔ 255	0–540°
	2	Pan Fine	000 ⇔ 255	0–100%
	3	Tilt	000 ⇔ 255	0–270°
	3	Tilt Fine	000 ⇔ 255	0–100%
	4	Pan/Tilt Speed	000 ⇔ 255	Fast–Slow
	5	Dimmer	000 ⇔ 255	0–100%
	7	Shutter	000 ⇔ 007 008 ⇔ 015 016 ⇔ 131 132 ⇔ 167 168 ⇔ 203 204 ⇔ 239 240 ⇔ 247 248 ⇔ 255	Black out Open Slow ~Fast Slow open/Fast close Fast open/Slow close Slow open/Slow close Random strobe Open
	8	Color	000 ⇔ 007 008 ⇔ 015 016 ⇔ 023 024 ⇔ 031 032 ⇔ 039 040 ⇔ 047 048 ⇔ 055 056 ⇔ 063 064 ⇔ 127 128 ⇔ 189 190 ⇔ 193 194 ⇔ 255	White Red Orange 3,200 K 5,600 K Pink Green Dark Blue Color Mix Fast–Slow CW rotation Stop Slow–Fast CCW rotation
	9	Cyan	000 ⇔ 255	0–100%
	10	Magenta	000 ⇔ 255	0–100%
	11	Yellow	000 ⇔ 255	0–100%
	12	Gobo	000 ⇔ 007 008 ⇔ 014 015 ⇔ 021 022 ⇔ 028 029 ⇔ 035 036 ⇔ 042 043 ⇔ 049 050 ⇔ 057 058 ⇔ 067 068 ⇔ 077 078 ⇔ 087 088 ⇔ 097 098 ⇔ 107 108 ⇔ 117 118 ⇔ 127 128 ⇔ 189 190 ⇔ 193 194 ⇔ 255	Open Gobo 1 Gobo 2 Gobo 3 Gobo 4 Gobo 5 Gobo 6 Gobo 7 Gobo 1 Shaking Gobo 2 Shaking Gobo 3 Shaking Gobo 4 Shaking Gobo 5 Shaking Gobo 6 Shaking Gobo 7 Shaking Fast–Slow CW rotation Stop Slow–Fast CCW rotation
	13	R-Gobo	000 ⇔ 127 128 ⇔ 189 190 ⇔ 193 194 ⇔ 255	Index Fast–Slow CW rotation Stop Slow–Fast CCW rotation
	14	Prism	000 ⇔ 007 008 ⇔ 127 128 ⇔ 255	No function Prism effect Prism rotation effects (28 count)
	15	R-Prism	000 ⇔ 127 128 ⇔ 189 190 ⇔ 193 194 ⇔ 255	Index Fast–Slow CW rotation Stop Slow–Fast CCW rotation

Continues on the next page

Continued from the previous page

Mode 1 (Cont.)	Channel	Function	Value	Percent/Setting
	16	Frost	000 ⇔ 255	0~100%
	17	Function	000 ⇔ 069	No function
			070 ⇔ 079	Enable BO during Pan or Tilt
			080 ⇔ 089	Disable BO during Pan or Tilt
			090 ⇔ 099	Enable BO during color change
			100 ⇔ 109	Disable BO during color change
			110 ⇔ 119	Enable BO during gobo change
			120 ⇔ 129	Disable BO during gobo change
			130 ⇔ 139	Lamp on
			140 ⇔ 149	Pan/Tilt reset
			150 ⇔ 159	Color reset
			160 ⇔ 169	Gobo reset
			170 ⇔ 179	Shutter reset
			180 ⇔ 189	No Function
			190 ⇔ 199	Frost/Prism reset
			200 ⇔ 209	Reset all
			210 ⇔ 229	No function
	230 ⇔ 239	Lamp off		
	240 ⇔ 255	No function		

Mode 2	Channel	Function	Value	Percent/Setting
	1	Pan	000 ⇔ 255	0~540°
	2	Pan Fine	000 ⇔ 255	0~100%
	3	Tilt	000 ⇔ 255	0~270°
	4	Tilt Fine	000 ⇔ 255	0~100%
	5	Pan/Tilt Speed	000 ⇔ 255	Fast~Slow
	6	Dimmer	000 ⇔ 255	0~100%
	7	Dimmer Fine	000 ⇔ 255	0~100%
	8	Shutter	000 ⇔ 007	Black out
			008 ⇔ 015	Open
			016 ⇔ 131	Slow ~Fast
			132 ⇔ 167	Slow open/Fast close
			168 ⇔ 203	Fast open/Slow close
			204 ⇔ 239	Slow open/Slow close
			240 ⇔ 247	Random strobe
	9	Color	000 ⇔ 007	White
			008 ⇔ 015	Red
			016 ⇔ 023	Orange
			024 ⇔ 031	3,200 K
			032 ⇔ 039	5,600 K
			040 ⇔ 047	Pink
			048 ⇔ 055	Green
			056 ⇔ 063	Dark Blue
			064 ⇔ 127	Color Mix
			128 ⇔ 189	Fast~Slow CW rotation
	190 ⇔ 193	Stop		
	194 ⇔ 255	Slow~Fast CCW rotation		
	10	Cyan	000 ⇔ 255	0~100%
	11	Magenta	000 ⇔ 255	0~100%
	12	Yellow	000 ⇔ 255	0~100%
	13	CMY Speed	000 ⇔ 255	Fast~Slow

Continues on the next page

Continued from the previous page

Mode 2 (Cont.)	Channel	Function	Value	Percent/Setting
14	Gobo		000 ⇔ 007	Open
			008 ⇔ 014	Gobo 1
			015 ⇔ 021	Gobo 2
			022 ⇔ 028	Gobo 3
			029 ⇔ 035	Gobo 4
			036 ⇔ 042	Gobo 5
			043 ⇔ 049	Gobo 6
			050 ⇔ 057	Gobo 7
			058 ⇔ 067	Gobo 1 Shaking
			068 ⇔ 077	Gobo 2 Shaking
			078 ⇔ 087	Gobo 3 Shaking
			088 ⇔ 097	Gobo 4 Shaking
			098 ⇔ 107	Gobo 5 Shaking
			108 ⇔ 117	Gobo 6 Shaking
			118 ⇔ 127	Gobo 7 Shaking
			128 ⇔ 189	Fast-Slow CW rotation
			190 ⇔ 193	Stop
			194 ⇔ 255	Slow-Fast CCW rotation
		15	R-Gobo	
	128 ⇔ 189			Fast-Slow CW rotation
	190 ⇔ 193			Stop
	194 ⇔ 255			Slow-Fast CCW rotation
16	R-Gobo Fine		000 ⇔ 255	0~100%
17	Prism		000 ⇔ 007	No function
			008 ⇔ 127	Prism effect
			128 ⇔ 255	Prism rotation effect
18	R-Prism		000 ⇔ 127	Index
			128 ⇔ 189	Fast-Slow CW rotation
			190 ⇔ 193	Stop
			194 ⇔ 255	Slow-Fast CCW rotation
19	R-Prism Fine		000 ⇔ 255	0~100%
20	Frost		000 ⇔ 255	0~100%
21	P/T Macro		000 ⇔ 007	Off
			008 ⇔ 015	Macro 1
			016 ⇔ 023	Macro 2
			024 ⇔ 031	Macro 3
			032 ⇔ 039	Macro 4
			040 ⇔ 047	Macro 5
			048 ⇔ 055	Macro 6
			056 ⇔ 063	Macro 7
			064 ⇔ 071	Macro 8
			072 ⇔ 079	Macro 9
			080 ⇔ 087	Macro 10
			088 ⇔ 095	Macro 11
			096 ⇔ 103	Macro 12
			104 ⇔ 120	Macro 13
			121 ⇔ 127	Macro 14
			128 ⇔ 135	Macro 15
			136 ⇔ 143	Macro 16
			144 ⇔ 151	Macro 17
			152 ⇔ 159	Macro 18
			160 ⇔ 167	Macro 19
			168 ⇔ 175	Macro 20
			176 ⇔ 183	Macro 21
			184 ⇔ 191	Macro 22
			192 ⇔ 207	Macro 23
			208 ⇔ 223	Macro 24
			224 ⇔ 231	Macro 25
			232 ⇔ 247	Macro 26
	248 ⇔ 255	Macro 27		

Continues on the next page

Continued from the previous page

Mode 2 (Cont.)	Channel	Function	Value	Percent/Setting
	22	P/T Macro Speed	000 ⇔ 255	Fast~Slow
	23	Preset Color	000 ⇔ 021 022 ⇔ 042 043 ⇔ 063 064 ⇔ 085 086 ⇔ 106 107 ⇔ 127 128 ⇔ 148 149 ⇔ 170 171 ⇔ 191 192 ⇔ 212 213 ⇔ 233 234 ⇔ 255	White Color 1 Color 2 Color 3 Color 4 Color 5 Color 6 Color 7 Color 8 Color 9 Color 10 Color 11
	24	Color Macro	000 ⇔ 007 008 ⇔ 028 029 ⇔ 049 050 ⇔ 069 070 ⇔ 090 091 ⇔ 110 111 ⇔ 131 132 ⇔ 152 153 ⇔ 173 174 ⇔ 194 195 ⇔ 215 216 ⇔ 235 236 ⇔ 255	Open Macro 1 Macro 2 Macro 3 Macro 4 Macro 5 Macro 6 Macro 7 Macro 8 Macro 9 Macro 10 Macro 11 Macro 12
	25	Function	000 ⇔ 069 070 ⇔ 079 080 ⇔ 089 090 ⇔ 099 100 ⇔ 109 110 ⇔ 119 120 ⇔ 129 130 ⇔ 139 140 ⇔ 149 150 ⇔ 159 160 ⇔ 169 170 ⇔ 179 180 ⇔ 189 190 ⇔ 199 200 ⇔ 209 210 ⇔ 229 230 ⇔ 239 240 ⇔ 255	No function Enable BO during Pan or Tilt Disable BO during Pan or Tilt Enable BO during color change Disable BO during color change Enable BO during gobo change Disable BO during gobo change Lamp on Pan/Tilt reset Color reset Gobo reset Shutter reset No Function Frost/Prism reset Reset all No function Lamp off No function

5. Technical Information

General Maintenance

To maintain optimum performance and minimize wear, the user should clean the light fixtures frequently. Usage and environment are contributing factors in determining the cleaning frequency. As a rule, the user should clean the fixtures at least twice a month. Dust build up reduces light output performance and can cause overheating. This can lead to reduced light source life and increased mechanical wear.

CHAUVET® recommends cleaning the fixture's external optics with a soft cloth using normal glass cleaning fluid.

To clean a fixture, follow the recommendations below:

- Unplug the fixture from power.
- Wait until the fixture is cold.
- Use a vacuum (or dry compressed air) and a soft brush to remove dust collected on the external vents and reachable internal components.
- Clean all external optics and glass surfaces with a mild solution of glass cleaner or isopropyl alcohol, and a soft, lint free cotton cloth or a lens cleaning tissue.
- Apply the solution directly to the cloth or tissue and drag any dirt and grime to the outside of the lens.
- Gently polish the external glass surfaces until they are free of haze and lint.
- When cleaning units with a movable mirror, you should keep the contact with the mirror surface to a minimum to avoid scratching or damaging it.

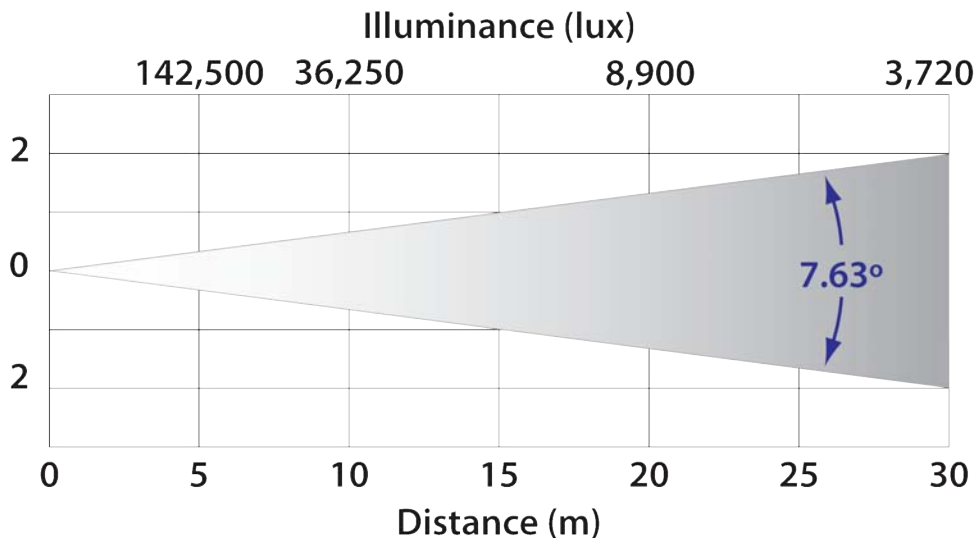


Always dry the external optics and glass surfaces carefully after cleaning them.



If the fixture has one or more fans, refrain from spinning them using compressed air.

Photometrics



Error Messages

Message	Cause(s)	Action(s)
Lamp Startup Fail	The lamp has not started after being struck	<ul style="list-style-type: none"> • Check lamp • Check lamp socket and wiring • Check ballast and igniter
Temperature Sense Error	No communication with temperature sensor	<ul style="list-style-type: none"> • Check sensor wiring • Check sensor integrity • Check control board
Lamp too Hot Low Power	Ambient temperature higher than 105° C; lamp in low power for safety	<ul style="list-style-type: none"> • Check fans • Check fan wiring • Clean vents
Lamp Too Hot Power Off	Ambient temperature higher than 110° C; lamp off for safety	<ul style="list-style-type: none"> • Check fans • Check fan wiring • Clean vents
Maintenance Fixture	Fixture Maintenance timer expired	<ul style="list-style-type: none"> • Proceed with maintenance and reset timer
Lamp On Over 700 Hour	Lamp change is overdue	<ul style="list-style-type: none"> • Change lamp
Memory Initial Fail	Memory chip error	<ul style="list-style-type: none"> • Change main board
CPU-B Error CPU-C Error CPU-D Error	No communication with auxiliary CPU	<ul style="list-style-type: none"> • Check sensors wiring and position • Check stepper motor, belt, and driver board • Check control boards
Pan Reset Error Pan Encode Error Tilt Reset Error Tilt Encode Error	Moving head failed going to home position after power up or fixture reset	<ul style="list-style-type: none"> • Check moving head's free movement • Check sensors' wiring and position • Check stepper motor, belt, and driver board • Check the corresponding control board • Check main control board
Shutter Reset Fail Dimmer Reset Fail Color Reset Fail Cyan Reset Fail Magenta Reset Fail Yellow Reset Fail Gobo Reset Fail R-Gobo Reset Fail Effect Reset Fail R-Effect Reset Fail Frost Reset Fail	Indicated moving part failed to go to its home position after power up or fixture reset	<ul style="list-style-type: none"> • Check part's free movement and integrity • Check sensors' wiring and position • Check stepper motor, belt, and driver board • Check the corresponding control board • Check main control board

Troubleshooting Guide

Symptom	Cause(s)	Action(s)
Fixture does not power up	<ul style="list-style-type: none"> No power on outlet Blown fuse Bad power cord/plug Bad power switch Bad power supply Bad main controller 	<ul style="list-style-type: none"> Repair outlet problem or use another outlet Replace blown fuse with same type and rating fuse Repair or replace power cord/plug Replace power switch Replace power supply Replace main controller
Fixture powers up but lamp does not ignite	<ul style="list-style-type: none"> State/Power On parameter set to NO Lamp temperature problems Lamp problems 	<ul style="list-style-type: none"> Change parameter to YES Check error messages and follow instructions Check error messages and follow instructions
Lamp ignited but has low intensity/color temperature	<ul style="list-style-type: none"> Dimmer not at full output Lamp still cold CTC or CMY filter interfering Defective or old lamp Misaligned lamp Defective lamp wires or socket Defective ballast 	<ul style="list-style-type: none"> Adjust dimmer value Wait for lamp to come up with full output temperature Set color wheel or filter to home position Replace lamp Realign lamp Repair/change wiring or socket Replace ballast
Lamp flickers or turns off by itself	<ul style="list-style-type: none"> Defective or old lamp Temperature problems Defective lamp wires or socket Defective ballast 	<ul style="list-style-type: none"> Replace lamp Check error messages and follow instructions Repair/change wiring or socket Replace ballast
Circuit breaker/fuse keeps tripping/blowing	<ul style="list-style-type: none"> Excessive circuit load Short circuit along the power wires 	<ul style="list-style-type: none"> Check total load placed on the electrical circuit Check for a short in the electrical wiring
Fixture does not respond to DMX when nearby fixtures on the same universe do	<ul style="list-style-type: none"> Wrong DMX addressing Damaged DMX cables Wrong polarity on the controller Loose DMX cables Faulty DMX interface Faulty Display/Main board 	<ul style="list-style-type: none"> Check DMX mode and starting DMX address Check DMX cables Check polarity switch settings on the controller Check cable connections Replace the Main board Replace the Main board
DMX signal problems (see <i>Appendix > DMX Primer</i>)	<ul style="list-style-type: none"> Non DMX cables Bouncing signals Long cable / low level signal Too many fixtures Interference from AC wires 	<ul style="list-style-type: none"> Use only DMX compatible cables Install terminator as suggested Install an optically coupled DMX splitter right after the fixture with the strong signal Install an optically coupled DMX splitter after unit #32 or before Keep DMX cables separated from power cables or fluorescent/black lights



If you still experience technical problems after trying the above solutions, contact CHAUVET® Technical Support.

Returns Procedure

The user must send the merchandise prepaid, in the original box, and with its original packing and accessories. CHAUVET® will not issue call tags.

Call CHAUVET® and request a Return Merchandise Authorization Number (RMA #) before shipping the fixture. Be prepared to provide the model number, serial number, and a brief description of the cause for the return.

The user must clearly label the package with a Return Merchandise Authorization Number (RMA #). CHAUVET® will refuse any product returned without an RMA #.



DO NOT write the RMA # directly on the box. Instead, write it on a properly affixed label.

Once you receive the RMA #, please include the following information on a piece of paper inside the box:

- Your name
- Your address
- Your phone number
- The RMA #
- A brief description of the problem

Be sure to pack the fixture properly. Any shipping damage resulting from inadequate packaging will be the customer's responsibility. As a suggestion, proper UPS packing or double-boxing is always a safe method to use.



CHAUVET® reserves the right to use its own discretion to repair or replace returned product(s).

Claims

The carrier is responsible for any damage incurred during shipping. Therefore, if the received merchandise appears to have damages caused during shipping, the customer must submit the damage report and any related claims with the carrier, not CHAUVET®. The customer must submit the report upon reception of the damaged merchandise. Failure to do so in a timely manner may invalidate the customer's claim with the carrier.

For other issues such as missing components or parts, damage not related to shipping, or concealed damage, the customer must make claims to CHAUVET® within seven (7) days of receiving the merchandise.

Contact Us

World Headquarters

General Information

CHAUVET®
 5200 NW 108th Avenue
 Sunrise, FL 33351
 Voice: (954) 929-1115
 Fax: (954) 929-5560
 Toll free: (800) 762-1084

Technical Support

Voice: (954) 929-1115 (Press 4)
 Fax: (954) 756-8015

World Wide Web

www.chauvetlighting.com

Technical Specifications

Weight & Dimensions

Length	14.5 in (370 mm)
Width	17.9 in (456 mm)
Height	23.7 in (601 mm)
Weight	43.6 lbs (19.8 kg)

Power

Auto-ranging	100~240 V, 50/60 Hz
Operating current @ 120 V, 60 Hz	3.94 A
Operating current @ 230 V, 50 Hz	2.02 A
Inrush current @ 120 V, 60 Hz	3.04 A
Inrush current @ 230 V, 50 Hz	2.3 A
Power consumption @ 120 V, 60 Hz	458 W
Power consumption @ 230 V, 50 Hz	428 W
Power factor @ 120 V, 60 Hz	0.99
Power factor @ 230 V, 50 Hz	0.95
Fuse	Glass, 20 mm, T 10 A, 250 V (external)

Light source

Type	300 W, HID lamp
Approved lamp	Philips MSR Gold 300/2, 8,400 K, 750 hrs
Socket	MiniFastFit™

Head Motion Range

Pan	540°
Tilt	270°

Thermal

Maximum ambient temperature	104° F (40° C)
Maximum surface temperature	135° F (57° C)

Photo Optic

Illuminance at 5 m	142,500 lux
Beam angle	7.63°

Gobos

Outer diameter	26.94 mm
Image diameter	22.98 mm
Thickness	4.27 mm
Material	glass

Control & Programming

Data input	locking 3 and 5-pin XLR male socket
Data output	locking 3 and 5-pin XLR female socket
Data pin configuration	pin 1 shield, pin 2 (-), pin 3 (+)
Protocols	DMX-512 USITT
DMX Channels	17 and 25

Ordering Information

Legend 300E Beam	LEGEND300BEAM
Two Legend 300E Beam units in a single road case	LEGEND300BEAMX2

Warranty Information

Warranty duration	2-year limited warranty
-------------------------	-------------------------

CHAUVET®
5200 NW 108th Avenue
Sunrise, FL 33351 (USA)
(800) 762-1084 – (954) 929-1115
FAX (954) 929-5560
www.chauvetlighting.com

Legend 300E Beam User Manual Rev. 01f
September 2010

