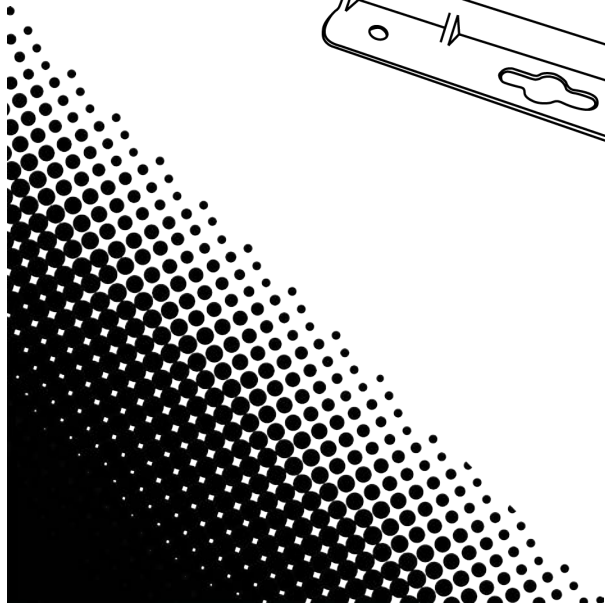
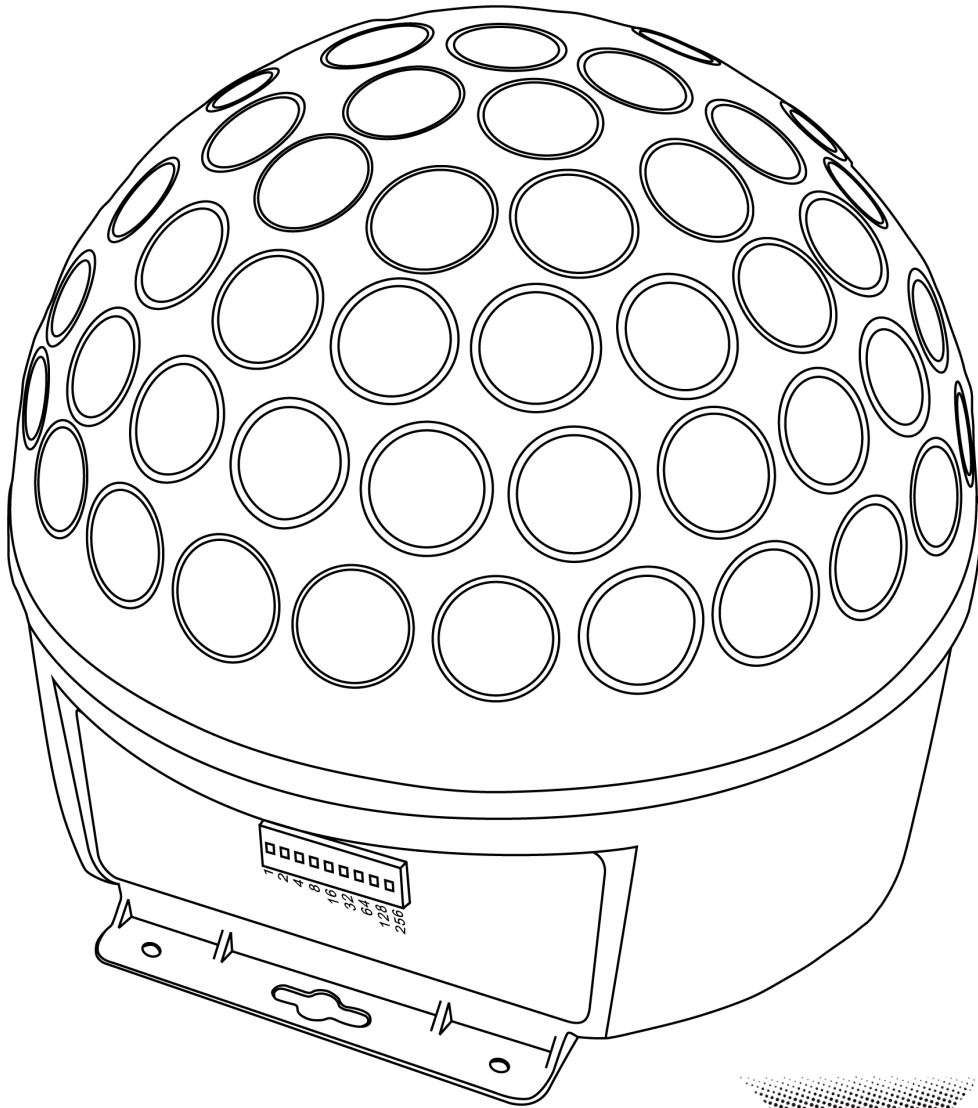


# MINISPHERE™ 3

*User Manual*



**CHAUVET®**  
Value • Innovation • Performance  
It's **Green** Thinking.

---

# TABLE OF CONTENTS

<b>1. Before You Begin</b> .....	<b>3</b>
What Is Included .....	3
Unpacking Instructions .....	3
Claims .....	3
Text Conventions .....	3
Icons .....	3
Document Information .....	3
Product at a Glance.....	4
Safety Notes .....	4
<b>2. Introduction</b> .....	<b>5</b>
Product Overview.....	5
Product Dimensions .....	6
<b>3. Setup</b> .....	<b>7</b>
AC Power .....	7
Fuse Replacement.....	7
Mounting .....	8
Orientation.....	8
Rigging.....	8
<b>4. Operation</b> .....	<b>9</b>
Configuration (DMX).....	9
Starting Address .....	9
Configuration (Standalone).....	9
Sound Active Mode.....	9
Automatic Mode.....	9
Master/Slave Mode .....	9
DMX Channel Assignments and Values.....	10
4-CH.....	10
<b>5. Technical Information</b> .....	<b>10</b>
Product Maintenance .....	10
General Troubleshooting .....	11
Contact Procedure .....	12
CHAUVET® Contact Information.....	12
Returning Products to CHAUVET®.....	12
<b>6. Technical Specifications</b> .....	<b>13</b>

# 1. BEFORE YOU BEGIN

## What Is Included

- 1 x Minisphere™ 3
- 1 x Power Cord
- 1 x Warranty Card
- 1 x Quick Reference Guide

## Unpacking Instructions

Immediately upon receipt, carefully unpack the product and check the container to make sure you have received all the parts indicated above in good condition.

## Claims




If the container or the contents appear damaged from shipping, notify the carrier immediately, not CHAUVET®, upon receipt. Failure to do so in a timely manner may invalidate your claim with the carrier. In addition, keep the container and all the packing material for inspection.

For other issues such as missing parts, damage not related to shipping, or concealed damage, file a claim with CHAUVET® within 7 days of receiving the product.

## Text Conventions

Convention	Meaning
[10]	A DIP switch to be configured
1~512	A range of values
50/60	A set of values of which only one can be chosen
<b>Settings</b>	A menu option not to be modified
<b>Menu &gt; Settings</b>	A sequence of menu options to be followed
<ENTER>	A key to be pressed on the product's control panel
ON	A value to be entered or selected

## Icons

Icon	Meaning
	Critical installation, configuration, or operation information. Failure to comply with this information may render the product partially or completely inoperative, cause damage to the product, or cause harm to the user.
	Important installation or configuration information. Failure to comply with this information may prevent the product from functioning correctly.
	Useful information.

## Document Information

The information and specifications contained in this document are subject to change without notice. CHAUVET® assumes no responsibility or liability for any errors or omissions that may appear in this manual. CHAUVET® reserves the right to update the existing document or to create a new document to correct any errors or omissions.

Download the latest version of this document from [www.chauvetlighting.com](http://www.chauvetlighting.com).

© Copyright 2012 CHAUVET®. All rights reserved.

Electronically published by CHAUVET® in the U.S.A.

Author	Date	Editor	Date
A. Diaz	11/15/11	S. Graham	3/1/12

## Product at a Glance

Use on Dimmer	⊘	Auto Programs	✓
Outdoor Use	⊘	Auto-ranging Power Supply	✓
Sound Activated	✓	Replaceable Fuse	✓
DMX	✓	User Serviceable	⊘
Master/Slave	✓	Duty Cycle	⊘

## Safety Notes

Please read the following Safety Notes carefully before working with the product. The Notes include important safety information about installation, usage, and maintenance.



- Always connect the product to a grounded circuit to avoid the risk of electrocution.
- Always disconnect the product from the power source before cleaning or replacing the fuse.
- Avoid direct eye exposure to the light source while the product is on.
- Make sure the power cord is not crimped or damaged.
- Never disconnect the product from power cord by pulling or tugging on the cord.
- If mounting the product overhead, always secure to a fastening device using a safety cable.
- Make sure there are no flammable materials close to the product when operating.
- Do not touch the product's housing when operating because it may be very hot.



- Always make sure that the voltage of the outlet to which you are connecting the product is within the range stated on the decal or rear panel of the product.
- The product is for indoor use only! (IP20) To prevent risk of fire or shock, do not expose the product to rain or moisture.
- Always install the product in a location with adequate ventilation, at least 20 in (50 cm) from adjacent surfaces.
- Be sure that no ventilation slots on the product's housing are blocked.
- Never connect the product to a dimmer.
- Make sure to replace the fuse with another of the same type and rating.
- Never carry the product from the power cord or any moving part. Always use the hanging/mounting bracket or the handles.
- The maximum ambient temperature (Ta) is 104° F (40° C). Do not operate the product at higher temperatures.
- In the event of a serious operating problem, stop using the product immediately.
- Never try to repair the product. Repairs carried out by unskilled people can lead to damage or malfunction. Please contact the nearest authorized technical assistance center.

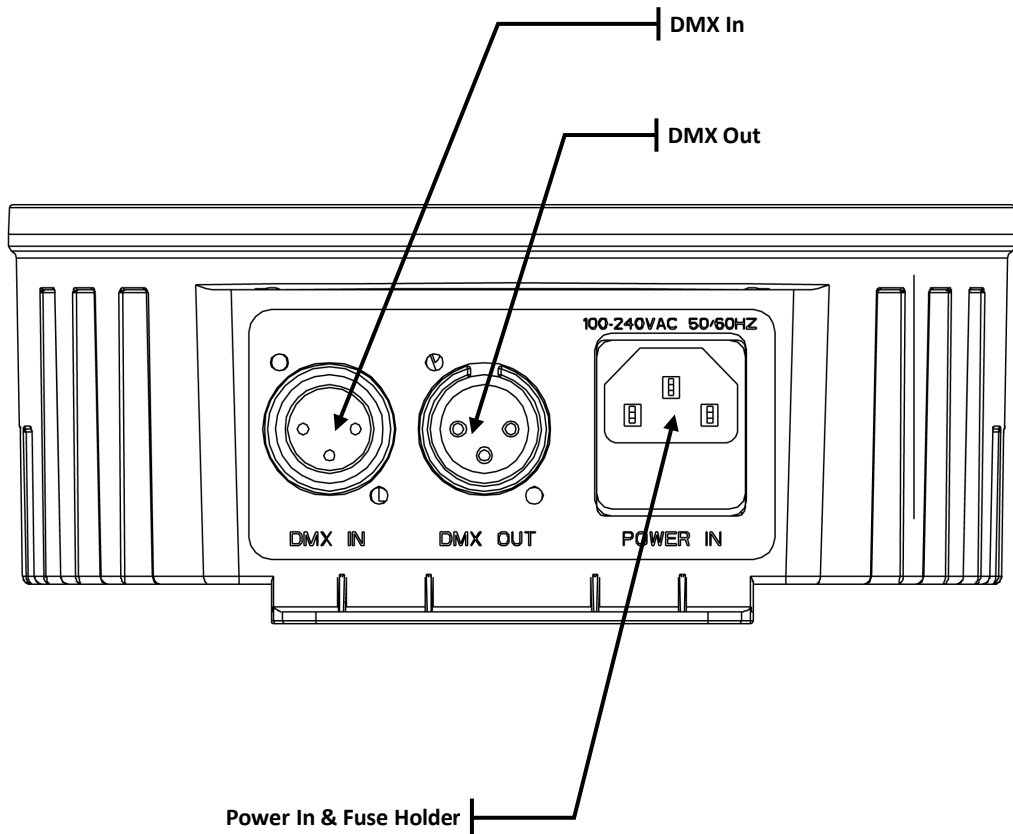


- Keep this User Manual for future use. If you sell the product to another user, be sure that they also receive this document.

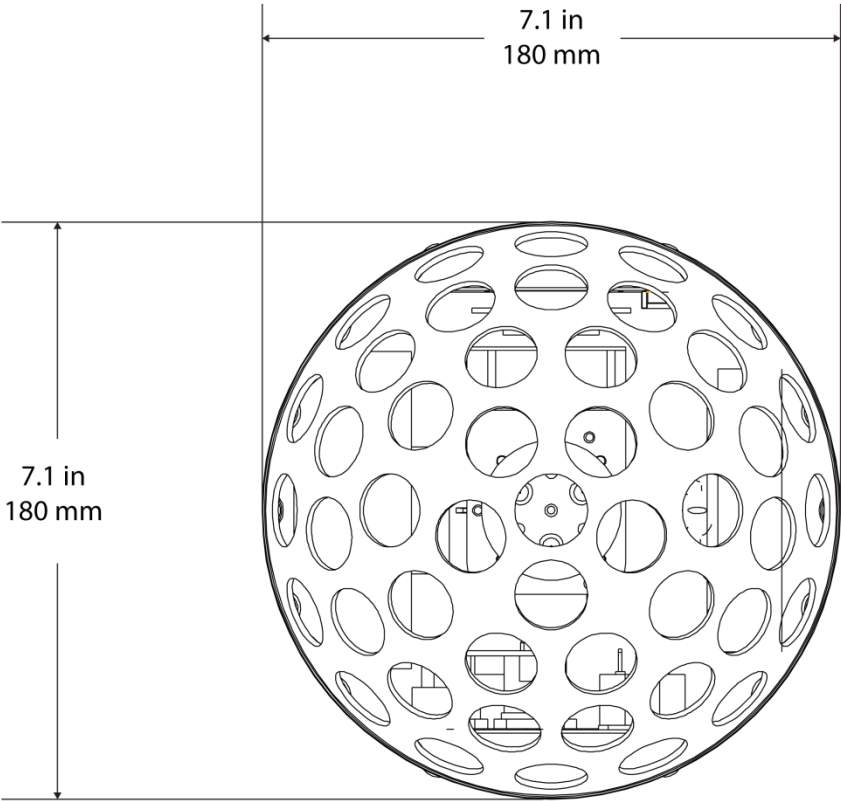
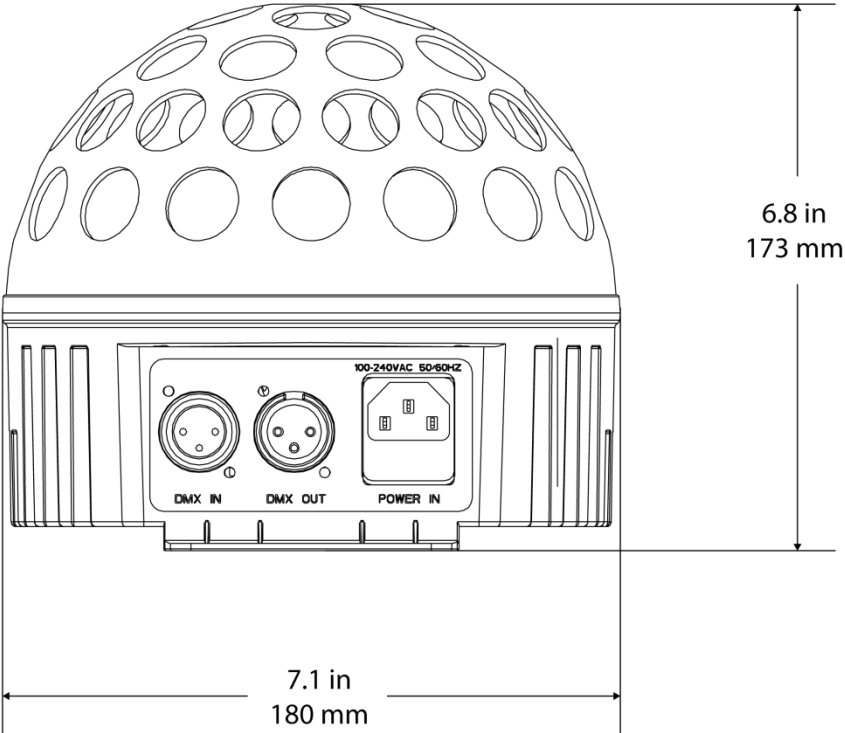
---

# 2. INTRODUCTION

## Product Overview



# Product Dimensions



## 3. SETUP

**AC Power** The Minisphere™ 3 has an auto-ranging power supply that works with an input voltage range of 100~240 VAC, 50/60 Hz.

To determine the product's power requirements (circuit breaker, power outlet, and wiring), use the current value listed on the label affixed to the product's back panel, or refer to the product's specifications chart. The listed current rating indicates the product's average current draw under normal conditions.



**Always connect the product to a protected circuit (circuit breaker or fuse). Make sure the product has an appropriate electrical ground to avoid the risk of electrocution or fire.**



**Never connect the product to a rheostat (variable resistor) or dimmer circuit, even if the rheostat or dimmer channel serves only as a 0 to 100% switch.**

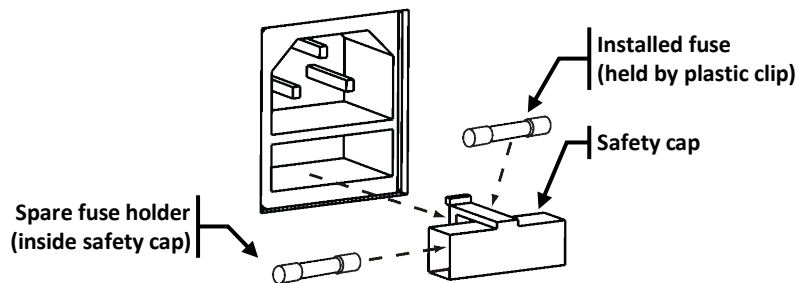
### Fuse Replacement

Follow the instructions below to change the fuse, if necessary.



**Disconnect the product from the power outlet before replacing the fuse.**

1. Wedge the tip of a flat-head screwdriver into the slot of the fuse holder and pry out of the housing.
2. Remove the blown fuse from the holder and replace with a fuse of the exact same type and rating.
3. Insert the fuse holder back into place and reconnect power.



**The product does not ship with a spare fuse; however, the safety cap has room for a spare.**

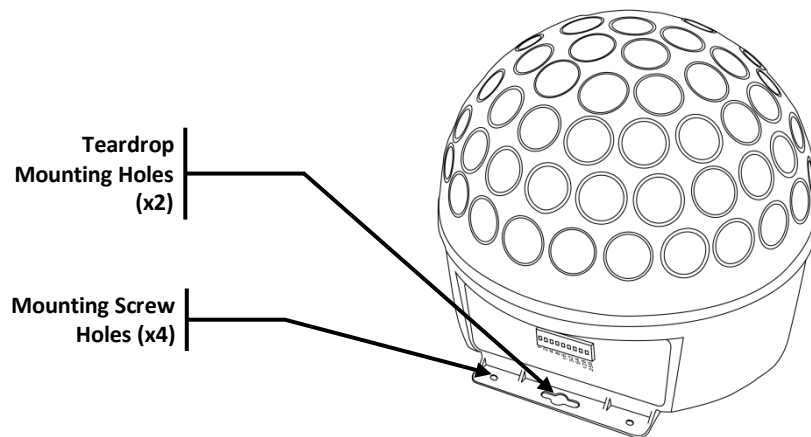
---

**Mounting** Before mounting the product, read and follow the safety recommendations indicated in the [Safety Notes](#) section in this manual).

**Orientation** The Minisphere™ 3 may be mounted in any position; however, make sure adequate ventilation is provided around the product.

- Rigging**
- Before deciding on a location for the product, always make sure there is easy access to the product for maintenance and programming purposes.
  - Make sure that the structure or surface onto which you are mounting the product can support the product's weight. Refer to the [Technical Specifications](#) section of this manual for weight information.
  - When mounting the product overhead, always use a safety cable. Mount the product securely to a rigging point, whether an elevated platform or a truss.
  - When rigging the product onto a truss, you should use a mounting clamp of appropriate weight capacity.

Mounting Diagram





---

## 4. OPERATION

### Configuration (DMX)

Set the product in DMX mode to control with a DMX controller.

1. Connect the product to a suitable power outlet.
2. Turn the product on.
3. Connect a DMX cable from the DMX output of the DMX controller to the DMX input socket on the product.

### Starting Address

When selecting a starting DMX address, always consider the number of DMX channels the selected DMX mode uses. If you choose a starting address that is too high, you could restrict the access to some of the product's channels.

The Minisphere™ 3 uses up to 4 DMX channels in 4-Channel DMX mode, which defines the highest configurable address to **509**.

If you are not familiar with the DMX protocol, download the DMX Primer from [www.chauvetlighting.com](http://www.chauvetlighting.com).

To select the starting address, do the following:

1. Set DIP switch [10] to the **OFF** position.
2. Use DIP switches [1~9] to set the DMX starting address.

### Configuration (Standalone)

Set the product in one of the standalone modes to control without a DMX controller.

1. Connect the product to a suitable power outlet.
2. Turn the product on.



**Never connect a product that is operating in any standalone mode (either Static, Automatic, or Sound) to a DMX string connected to a DMX controller. Products in standalone mode may transmit DMX signals that could interfere with the DMX signals from the controller.**

### Sound Active Mode

To enable the Sound Active mode, do the following:

1. Set DIP switch [9] to the **ON** position.
2. Turn the music on and adjust the microphone sensitivity knob until the product starts reacting to the beat of the music.



**The product will only respond to low frequencies of music (bass and drums).**

### Automatic Mode

To enable the Automatic Mode do the following::

1. Set DIP switch [xx] to the ON position.
2. Use DIP switch [xx] to increase the operating speed.

### Master/Slave Mode

The Master/Slave mode allows a single Minisphere™ 3 (the “master”) to control the actions of one or more Minisphere™ 3 products (the “slaves”) without the need of a DMX controller. The master product will be set to operate in either Automatic or Sound Active mode, while the slave products will be set to operate in Slave Mode. Once set and connected, the slave products will operate in unison with the master.

Configure the products as indicated below.

#### Slave products:

1. Set DIP switch [10] to the **ON** position.
2. Connect the DMX input of the first slave product to the DMX output of the master product.
3. Connect the DMX input of the subsequent slave products to the DMX output of the previous slave product.
4. Finish setting and connecting all the slave products.

#### Master product:

1. Set the master product to operate in either Automatic or Sound mode.
  2. Make the master product the first product in the DMX daisy chain.
- **Configure all the slave units before connecting the master unit to the DMX daisy chain.**
  - **Never connect a DMX controller to a DMX string configured for Master/Slave operation because the controller may interfere with the signals from the master unit.**
  - **Do not connect more than 31 slave units to the master unit.**



## DMX Channel Assignments and Values

4-CH	Channel	Function	Value	Setting
1		Effects	000 ⇔ 009	Blackout
			010 ⇔ 019	Red rotation
			020 ⇔ 029	Green rotation
			028 ⇔ 039	Blue rotation
			040 ⇔ 049	Red + Green rotation
			050 ⇔ 059	Red + Blue rotation
			060 ⇔ 069	Green + Blue rotation
			070 ⇔ 079	Red + Green + Blue rotation
			080 ⇔ 229	Red + Green + Blue chase
			230 ⇔ 255	Automatic Sound
2		Strobe	000 ⇔ 255	0~100% (slow to fast)
3		Effect Speed	000 ⇔ 255	0~100% (slow to fast)
4		Rotation Speed	000 ⇔ 255	0~100% (slow to fast)

## 5. TECHNICAL INFORMATION

### Product Maintenance

Dust build-up reduces light output performance and can cause overheating. This can lead to reduction of the light source's life. To maintain optimum performance and minimize wear, you should clean your lighting products at least twice a month. However, be aware that usage and environmental conditions could be contributing factors to increase the cleaning frequency.

To clean the product, use the following instructions:

- Unplug the product from power.
- Wait until the product is cold.
- Use a vacuum (or dry compressed air) and a soft brush to remove dust collected on the external surface/vents and reachable internal components.
- Clean all glass/transparent surfaces with a mild soap solution, ammonia-free glass cleaner, or isopropyl alcohol.
- Apply the solution directly to a soft, lint free cotton cloth or a lens cleaning tissue.
- Softly drag any dirt or grime to the outside of the glass/transparent surface.
- Gently polish the glass/transparent surfaces until they are free of haze and lint.
- When cleaning units with one or more movable mirrors, you should keep the contact with the mirror's surface to a minimum to avoid scratching or damaging it.



**Always dry the glass/transparent surfaces carefully after cleaning them.**

## General Troubleshooting

Symptom	Possible Cause	Possible Action
Circuit breaker or fuse keeps blowing	Excessive load on the circuit	Make sure that the total load does not exceed 80% of the breaker or fuse nominal current
	Short circuit along the power lines	Check the power lines and power cords
Product does not power up	No energy on power outlet	Check power outlet Change to another outlet
	Loose or damaged power cord	Check the power cord
	Blown fuse	Replace blown fuse with a good one of the same type and rating
	Internal problem	Send product for repair
Product does not respond to DMX	Wrong starting address on the product	Set the correct starting address on the product Use the right fader(s) on the controller
	Wrong DMX personality on the product	Set the correct DMX product's personality Assign the faders accordingly
	Wrong polarity setting on the DMX controller	Change the signal polarity on the controller
	Loose or damaged DMX cable	Check the DMX cable before the faulty unit
	Internal problem	Send product for repair
Intermittent DMX Problems	Signal cables are not DMX compatible	Replace non DMX cables with true DMX cables
	Interference with AC or radio signals	Keep DMX cables away from AC wires or radio equipment
	DMX cable too long	Install an optically coupled DMX amplifier right before the product with intermittent problems
	Too many products connected	Install an optically coupled DMX amplifier after unit #32
	Terminator not connected	Install a terminator.



**If you still experience problems after trying the above solutions, contact CHAUVET® Technical Support.**

## Contact Procedure

- If you live in the U.S.A., contact CHAUVET® World Headquarters.
- If you live in the UK or Ireland, contact CHAUVET® Europe Ltd.
- If you live in any other country, contact your distributor of record. See [www.chauvetlighting.com](http://www.chauvetlighting.com) for distributors outside the U.S.A.

## CHAUVET® Contact Information

### World Headquarters

CHAUVET®

#### General Information

Address: 5200 NW 108th Avenue  
Sunrise, FL 33351  
Voice: (954) 929-1115  
Fax: (954) 929-5560  
Toll free: (800) 762-1084

#### Technical Support

Voice: (954) 929-1115 (Press 4)  
Fax: (954) 756-8015  
Email: [tech@chauvetlighting.com](mailto:tech@chauvetlighting.com)

#### World Wide Web

[www.chauvetlighting.com](http://www.chauvetlighting.com)

### United Kingdom & Ireland

CHAUVET® Europe Ltd.

#### General Information

Address: Unit 1C  
Brookhill Road Industrial Estate  
Pinxton, Nottingham, UK  
NG16 6NT  
Voice: +44 (0)1773 511115  
Fax: +44 (0)1773 511110

#### Technical Support

Email: [uktech@chauvetlighting.com](mailto:uktech@chauvetlighting.com)

#### World Wide Web

[www.chauvetlighting.co.uk](http://www.chauvetlighting.co.uk)



**If you live outside the U.S., United Kingdom, or Ireland, contact your distributor of record and follow their instructions on how to return CHAUVET® products to them. Visit our website for contact details.**

## Returning Products to CHAUVET®

Call the corresponding CHAUVET® Tech Support office and request a Return Merchandise Authorization (RMA) number before shipping the product. Be prepared to provide the model number, serial number, and a brief description of the cause for the return.

You must send the merchandise prepaid, in its original box, and with its original packing and accessories. CHAUVET® will not issue call tags.

Clearly label the package with the RMA number. CHAUVET® will refuse any product returned without an RMA number.



**Write the RMA number on a properly affixed label. DO NOT write the RMA number directly on the box.**

Before sending the product, clearly write the following information on a piece of paper and place it inside the box:

- Your name
- Your address
- Your phone number
- The RMA number
- A brief description of the problem

Be sure to pack the product properly. Any shipping damage resulting from inadequate packaging will be your responsibility. As a suggestion, proper UPS packing or double-boxing is always a safe method to use.



**CHAUVET® reserves the right to use its own discretion to repair or replace returned product(s).**

## 6. TECHNICAL SPECIFICATIONS

<b>Dimensions and Weight</b>	<b>Length</b>	<b>Width</b>	<b>Height</b>	<b>Weight</b>
	7.1 in (180 mm)	7.1 in (180 mm)	6.8 in (173 mm)	1.9 lbs (0.86 kg)
<b>Note:</b> Dimensions in inches rounded to the nearest decimal digit.				
<b>Power</b>	<b>Power Supply Type</b>	<b>Range</b>	<b>Voltage Selection</b>	
	Switching (internal)	100~240 V, 50/60 Hz	Auto-ranging	
	<b>Parameter</b>	<b>120 V, 60 Hz</b>	<b>230 V, 50 Hz</b>	
	Consumption	36 W	40 W	
	Operating	0.3 A	0.2 A	
	Fuse	F 1 A, 250 V	F 1 A, 250 V	
<b>Light Source</b>	<b>Power I/O</b>	<b>US/Worldwide</b>	<b>UK/Europe</b>	
	Power input connector	IEC	IEC	
	Power output connector	Edison	IEC	
	Power Cord plug	Edison (US)	Local plug	
<b>Light Source</b>	<b>Type</b>	<b>Power</b>	<b>Lifespan</b>	
	LED	3 W	50,000 hours	
	<b>Color</b>	<b>Quantity</b>	<b>Current</b>	
	Red	1	800 mA	
	Green	1	800 mA	
	Blue	1	800 mA	
<b>Thermal</b>	<b>Maximum External Temp.</b>	<b>Cooling System</b>		
	104° F (40° C)	Convection		
<b>DMX</b>	<b>I/O Connectors</b>	<b>Connector Type</b>	<b>Channel Range</b>	
	3-pin XLR	Sockets	4	
<b>Ordering</b>	<b>Product Name</b>	<b>Item Code</b>	<b>Item Number</b>	
	Minisphere™ 3	04050423	MINISPHERE3	