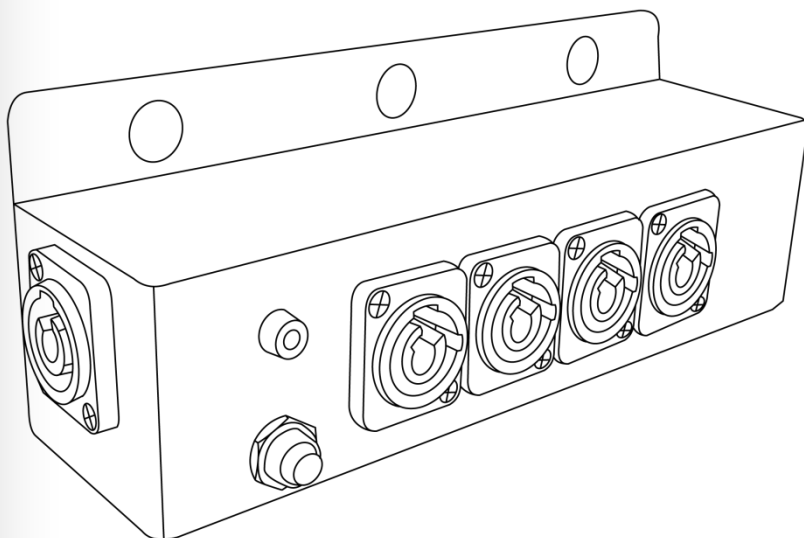


POWERSTREAM™ 4

Quick Reference Guide




CHAUVET®

About This Guide

The PowerStream™ 4 Quick Reference Guide (QRG) contains the product's connection and mounting information.

Disclaimer

- Read ALL the disclaimers and Safety Notes in this document before installing, operating, and maintaining this product.

Safety Notes

- DO NOT open this product unless instructed. It contains no user serviceable parts.
- ONLY use this product in an area that has adequate ventilation.
- DO NOT operate this product outdoors or in any location where dust, excessive heat, water, or humidity may affect it.
- DO NOT leave any flammable material within 5 cm from this product while connected to the power outlet to minimize the risk of fire.
- DO NOT operate this product if you see damage on the housing. In this case, have the damaged parts replaced by an authorized technician immediately.
- ONLY connect this product to a grounded and protected circuit.

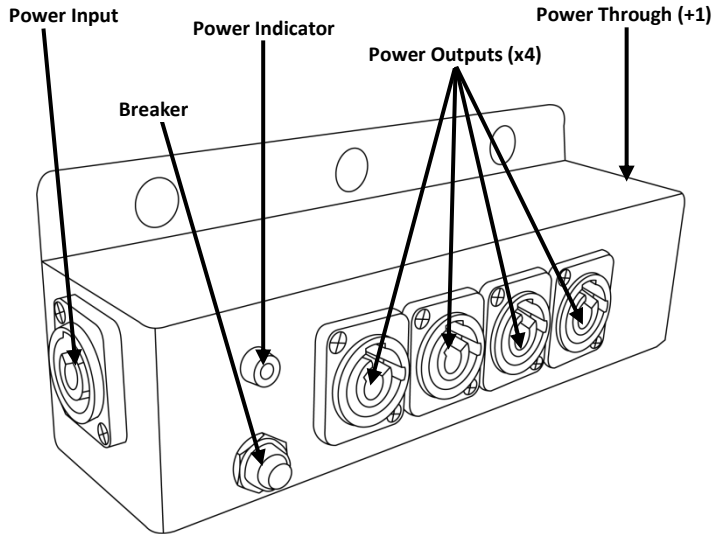
What Is Included

- One PowerStream™ 4
- One Warranty Card
- One Quick Reference Guide

Features

- Split power in five directions
- Small form factor allows easy rigging
- Send power where it needs to go
- Lit indicator displays when power is present
- Resettable breaker protects your gear

Product Overview



AC Power This product works with an input voltage range of 100~240 VAC, 50/60 Hz.

Set Up

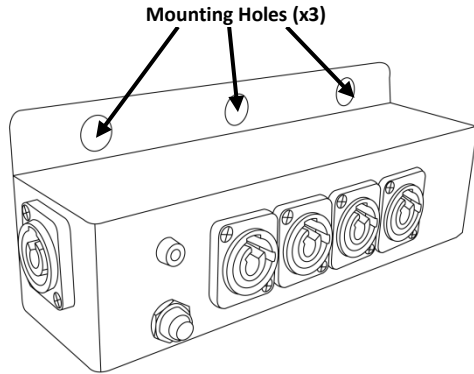
1. Plug in a power cord to the power input.
2. Plug any additional products to the power outputs.
3. You can daisy chain additional PowerStream™ 4 products by plugging into any empty power output or the power through.



- **Do not exceed 20 amps throughout your entire power run.**
- **The maximum load for the PowerStream™ 4 is 20 amps. Do not exceed this rating.**
- **The maximum current for any power output on the PowerStream™ 4 is 20 amps. Do not exceed this rating.**

Mounting Before mounting this product, read the Safety Notes at the beginning of this guide.

**Product
Mounting
Diagram**



Contact Us

World Headquarters

CHAUVET®

General Information

Address: 5200 NW 108th Avenue
Sunrise, FL 33351
Voice: (954) 929-1115
Fax: (954) 929-5560
Toll free: (800) 762-1084

Technical Support

Voice: (954) 929-1115 (Press 4)
Fax: (954) 756-8015
Email: tech@chauvetlighting.com

World Wide Web

www.chauvetpro.com

United Kingdom and Ireland

CHAUVET® Europe Ltd.

General Information

Address: Unit 1C
Brookhill Road Industrial Estate
Pinxton, Nottingham, UK
NG16 6NT
Voice: +44 (0)1773 511115
Fax: +44 (0)1773 511110

Technical Support

Email: uktech@chauvetlighting.com

World Wide Web

www.chauvetlighting.co.uk

Outside the US, United Kingdom, or Ireland, contact your distributor of record. Follow their instructions to request support or to return a product. Visit our Web site for contact details.

PowerStream™ 4 QRG – Rev. 06

© Copyright 2011 CHAUVET®

All rights reserved

Printed in the P. R. C.