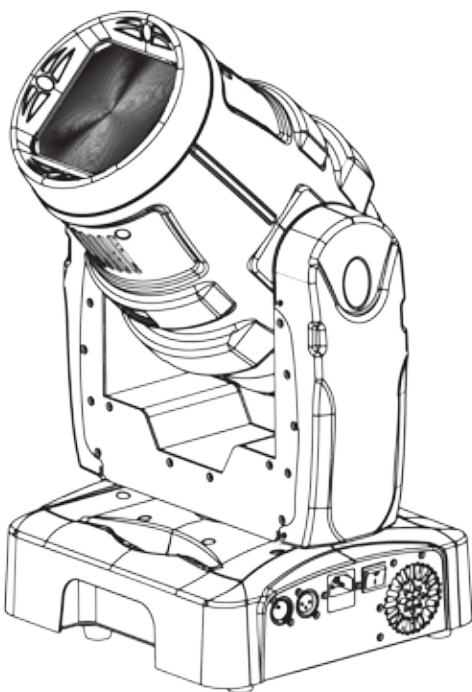


Q-BEAM™ 260-LED

Quick Reference Guide



CHAUVET®

It's Green Thinking

About this Guide

The Q-Beam 260-LED Quick Reference Guide (QRG) only contains the product's connection and mounting information as well as the menu options and the DMX values.

Disclaimer

- This Quick Reference Guide DOES NOT replace the product's user manual, which you can download from the CHAUVET® Web site (www.chauvetlighting.com).
- You must read ALL the disclaimers and safety notes in this document as well as those in the product's user manual before installing, operating, or maintaining this product.

Safety Notes

- DO NOT open this fixture unless instructed. It contains no user serviceable parts.
- DO NOT aim this fixture toward the Sun. Otherwise, the lenses could concentrate the solar energy and cause internal overheating.
- DO NOT look at the light source when this fixture is on.
- DO NOT touch the fixture when it is operating because it may be hot.
- DO NOT cover the ventilation slots when the fixture is operating to avoid internal overheating.
- DO NOT install or operate this fixture where there is less than 50 cm to the nearest surface to allow adequate ventilation around it.
- DO NOT leave any flammable material within 50 cm from this fixture while operating or connected to the power outlet to minimize the risk of fire.
- DO NOT carry this fixture from the head; use the handles instead.
- DO NOT mount this fixture overhead without using a safety cable.
- DO NOT operate this fixture outdoors or in any location where dust, excessive heat, water, or humidity may affect it.
- DO NOT operate this fixture if you see damage on the housing, lenses, or cables. In any of these cases, have the damaged parts replaced by an authorized technician at once.
- DO NOT connect this fixture to a dimmer or rheostat.
- ONLY connect this fixture to a grounded and protected circuit.

What is Included

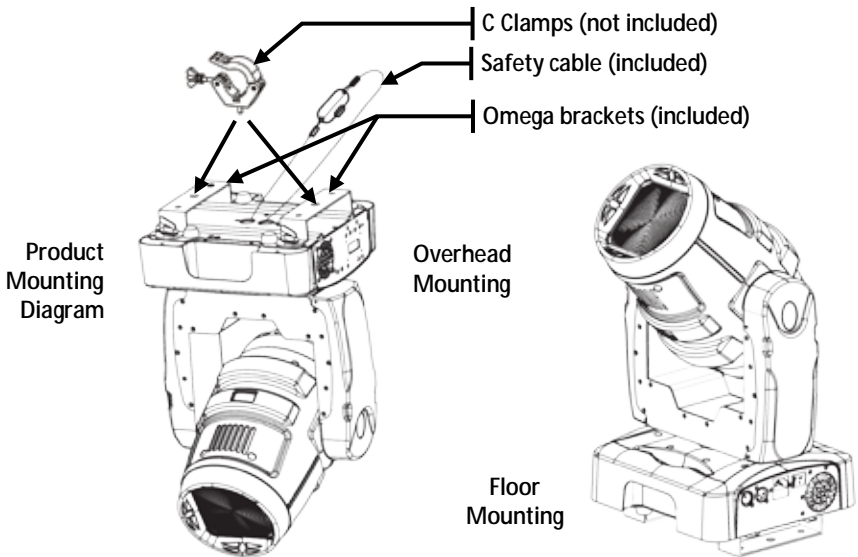
- One Q-Beam 260-LED
- One IEC power cord with Edison plug (US market)
- One safety cable
- Two omega brackets
- One Warranty Card
- One Quick Reference Guide

- Features**
- 9 or 12-channel DMX-512 LED moving yoke
 - Pan: 540°
 - Tilt: 270°
 - Color wheel:
 - 8 colors + white
 - Rainbow color spin at variable speeds
 - Gobo wheel 1:
 - Gobo shake
 - Indexing
 - Gobo rotation
 - 7 gobos + open
 - Gobo wheel spin at variable speeds
 - 3-facet, static prism
 - Variable electronic strobe
 - Variable electronic dimmer (0~100%)
 - Remote fixture reset
 - 255 user-programmable steps without DMX controller
 - Move-in-black for pan/tilt
 - Built-in automated programs
 - Built-in sound activated programs
 - High-powered, 60 W (12.6 A) LED
 - User-selectable pan/tilt ranges
 - Automatic pan & tilt correction
 - Reset to factory settings option
 - User-selectable basic or advanced operating DMX modes

AC Power This product has an auto-ranging power supply that can work with an input voltage range of 100~240 VAC, 50/60 Hz.

- Fuse Replacement**
- 1) Disconnect the unit from the power outlet.
 - 2) With a flat head screwdriver, wedge the fuse holder out of its housing and remove the blown fuse from its holder.
 - 3) Replace the blown fuse with a fuse of the exact same type and rating.
 - 4) Insert the fuse holder back in its place, and reconnect power.

Mounting Before mounting this product, read the safety notes at the beginning of this guide and on page 2 of the product’s user manual. Then, follow the mounting procedure indicated in the Setup chapter of the user manual.



Control Panel Description

Button	Function
<MENU>	Exits from the current menu or function
<ENTER>	Enables the currently displayed menu or sets the currently selected value into the selected function
<UP>	Navigates upwards through the menu list and increases the numeric value when in a function
<DOWN>	Navigates downwards through the menu list and decreases the numeric value when in a function

Programming For details on how to program this product, please refer to the product’s user manual.

Password After being prompted to enter the password, press:
 <UP>, <DOWN>, <UP>, <DOWN>, and <ENTER>

Menu Options

Main Level	2 nd Level	3 rd Level	Description	
1. Intro	Address	001~512	Selects a starting DMX address	
	Reset	No/Yes	Resets the fixture's custom settings	
	Run	DMX512		Selects DMX512-A running mode
		Auto 1		Selects the first automatic program
		Auto 2		Selects the second automatic program
		Sound 1		Selects the first sound activated program
		Sound 2		Selects the second sound program
		Custom		Selects the user customizable program
		Test		Selects the fixture's test sequence
	Channels	Slave		Selects the Slave running mode
		Basic		Selects the 9-channel DMX mode
	Display	Advanced		Selects the 12-channel DMX mode
		60 Close		Turns off the display after 60 s
	Keylock	Bright		Keeps the display on
Info		No/Yes	Activates the control panel password	
2. Invert	Pan	Normal/Reverse	Shows the version of the installed S/W	
	Tilt		Defines the pan direction	
	Color	Step	Defines the tilt direction	
		Linear	The color wheel moves in steps	
	Use	No/Yes	The color wheel moves smoothly	
3. Range	P/Start	000~255	Activates the changes	
	P/Finish		Sets the pan start point (restricted range)	
	T/Start		Sets the pan end point (restricted range)	
	T/Finish		Sets the tilt start point (restricted range)	
	Use		Sets the tilt end point (restricted range)	
4. Special	Black delay	No/Yes	Activates the changes	
	Reset	DMX	Activates the move-in black delay (3 s)	
		System	The DMX controller can reset the fixture	
5. Edit	Step	000~255	The control panel can reset the fixture	
	Pan		Selects the program step	
	Tilt		Selects the pan position	
	Speed		Selects the tilt position	
	Color		Selects the pan/tilt speed	
	Gobo 1		Selects the color (color wheel)	
	Gobo 1 Rot		Selects a rotating gobo (static or shake)	
	Dimmer		Selects the gobo rotation mode	
	Strobe		Selects the dimmer value	
	Time	Selects the strobe frequency and mode		
6. Default	Use	No/Yes	Selects the step duration	
	Default		Activates the changes	
			Defaults the fixture to factory settings	

DMX Values

BASIC	Channel	Function	Value	Percent/Setting
	1	Pan	000 ◊ 255	0~540°
	2	Tilt	000 ◊ 255	0~270°
	3	Color Wheel	000 ◊ 015 016 ◊ 030 031 ◊ 045 046 ◊ 060 061 ◊ 075 076 ◊ 090 091 ◊ 105 106 ◊ 120 121 ◊ 235 136 ◊ 255	White Red Yellow Magenta Green Orange Blue Light green Light blue Rainbow or linear effect
	4	Gobo Wheel	000 ◊ 010 011 ◊ 020 021 ◊ 030 031 ◊ 040 041 ◊ 050 051 ◊ 060 061 ◊ 070 071 ◊ 080 081 ◊ 095 096 ◊ 110 111 ◊ 125 126 ◊ 140 141 ◊ 155 156 ◊ 170 171 ◊ 185 186 ◊ 255	No gobo Gobo 1 Gobo 2 Gobo 3 Gobo 4 Gobo 5 Gobo 6 Gobo 7 Shaking gobo 7 Shaking gobo 6 Shaking gobo 5 Shaking gobo 4 Shaking gobo 3 Shaking gobo 2 Shaking gobo 1 Flow effect
	5	Gobo Wheel Rotation	000 ◊ 060 061 ◊ 150 151 ◊ 165 166 ◊ 255	360° Indexing CW rotation (slow~fast) No function CCW rotation (slow~fast)
	6	Prism	000 ◊ 127 128 ◊ 255	Prism off Prism on
	7	Dimmer	000 ◊ 255	Dark ◊ Bright
	8	Shutter/Strobe	000 ◊ 031 032 ◊ 063 064 ◊ 095 096 ◊ 127 128 ◊ 159 160 ◊ 191 192 ◊ 223 224 ◊ 255	Close Open Strobe (Slow~Fast) Open Pulse strobe effect (Slow~Fast) Open Random strobe effect (Slow~Fast) Open

Continues on the next page

Continued from previous page

BASIC (Cont.)	Channel	Function	Value	Percent/Setting
			000 ó 019	No function
			020 ó 039	Pan/tilt black activation (3 s delay)
			040 ó 059	Pan/tilt black deactivation (3 s delay)
			060 ó 139	No function
			140 ó 149	Auto 1 (3 s delay)
			150 ó 159	Auto 2 (3 s delay)
	9	Control	160 ó 169	Test (3 s delay)
			170 ó 179	Custom
			180 ó 189	Sound 1(3 s delay)
			190 ó 199	Sound 2(3 s delay)
			200 ó 219	Reset (3 s delay)
			220 ó 255	No function

ADVANCED	Channel	Function	Value	Percent/Setting
	1	Pan	000 ó 255	0~540°
	2	Pan Fine	000 ó 255	Fine movement control
	3	Tilt	000 ó 255	0~270°
	4	Tilt Fine	000 ó 255	Fine movement control
	5	Pan/Tilt Speed	000 ó 255	Fast~Slow
			000 ó 015	White
			016 ó 030	Red
			031 ó 045	Yellow
			046 ó 060	Magenta
			061 ó 075	Green
			076 ó 090	Orange
			091 ó 105	Blue
			106 ó 120	Light green
			121 ó 235	Light blue
			136 ó 255	Rainbow or linear effect
			000 ó 010	No gobo
			011 ó 020	Gobo 1
			021 ó 030	Gobo 2
			031 ó 040	Gobo 3
			041 ó 050	Gobo 4
			051 ó 060	Gobo 5
			061 ó 070	Gobo 6
			071 ó 080	Gobo 7
			081 ó 095	Shaking gobo 7
			096 ó 110	Shaking gobo 6
			111 ó 125	Shaking gobo 5
			126 ó 140	Shaking gobo 4
			141 ó 155	Shaking gobo 3
			156 ó 170	Shaking gobo 2
			171 ó 185	Shaking gobo 1
	7	Gobo Wheel	186 ó 255	Flow effect

Continues on the next page

Continued from previous page

**ADVANCED
(Cont.)**

Channel	Function	Value	Percent/Setting
8	Gobo Wheel Rotation	000 ○ 060	360° Indexing
		061 ○ 150	CW rotation (slow-fast)
		151 ○ 165	No function
		166 ○ 255	CCW rotation (slow-fast)
9	Prism	000 ○ 127 128 ○ 255	Prism off Prism on
10	Dimmer	000 ○ 255	Dark ○ Bright
11	Shutter/Strobe	000 ○ 031	Close
		032 ○ 063	Open
		064 ○ 095	Strobe (Slow~Fast)
		096 ○ 127	Open
		128 ○ 159	Pulse strobe effect (Slow~Fast)
		160 ○ 191	Open
		192 ○ 223	Random strobe effect (Slow~Fast)
224 ○ 255	Open		
12	Control	000 ○ 019	No function
		020 ○ 039	Pan/tilt black activation (3 s delay)
		040 ○ 059	Pan/tilt black deactivation (3 s delay)
		060 ○ 139	No function
		140 ○ 149	Auto 1 (3 s delay)
		150 ○ 159	Auto 2 (3 s delay)
		160 ○ 169	Test (3 s delay)
		170 ○ 179	Custom
		180 ○ 189	Sound 1(3 s delay)
		190 ○ 199	Sound 2(3 s delay)
		200 ○ 219	Reset (3 s delay)
220 ○ 255	No function		

Contact Us World Headquarters

General Information

CHAUVET®
5200 NW 108th Avenue
Sunrise, FL 33351
Voice: (954) 929-1115
Fax: (954) 929-5560
Toll free: (800) 762-1084

Technical Support

Voice: (954) 929-1115 (Press 4)
Fax: (954) 756-8015

World Wide Web

www.chauvetlighting.com

Q-Beam 260-LED QRG – Rev. 02

© Copyright 2011 CHAUVET®

All rights reserved

Printed in the P. R. C.



CONFORMS TO
UL STD. 1573

CERTIFIED TO
CSA STD. C22.2
No. 166

3144482