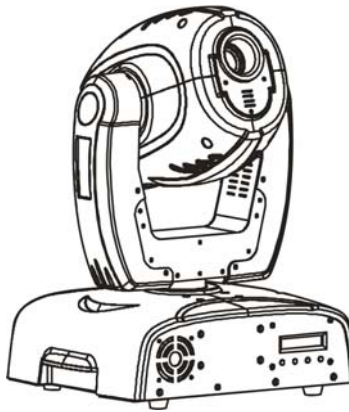
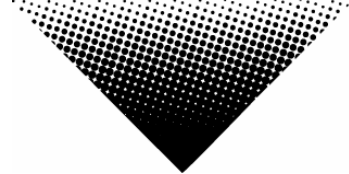


Q-Spot 200™

Snapshot

OK on Dimmer	⊘
Outdoor OK	⊘
Sound Activated	✓
DMX512	✓
Master/Slave	✓
Multitap Transformer	✓
Replaceable Fuse	✓
User Serviceable	⊘
Duty Cycle	⊘

USER MANUAL



CHAUVET.

Value · Innovation · Performance

Chauvet, 3000 N 29th Ct, Hollywood, FL 33020 U.S.A.

(800) 762-1084 – (954) 929-1115

FAX (954) 929-5560

www.chauvetlighting.com

TABLE OF CONTENTS

1. BEFORE YOU BEGIN	3
WHAT IS INCLUDED	3
UNPACKING INSTRUCTIONS.....	3
AC POWER	3
CONTACT US	4
SAFETY INSTRUCTIONS.....	4
2. INTRODUCTION	5
FEATURES	5
DMX CHANNEL SUMMARY	6
PRODUCT OVERVIEW	7
3. SETUP	8
LAMP	8
Lamp Installation.....	8
Maximizing the life of your lamp.....	8
Lamp Alignment How-To	9
Fuse Replacement.....	9
REPLACING GOBOS	10
FIXTURE LINKING.....	10
Data Cabling	10
DMX Data Cable.....	11
Cable Connectors.....	11
3-Pin to 5-Pin Conversion Chart	11
Setting up a DMX Serial Data Link	12
MASTER/SLAVE FIXTURE LINKING	12
MOUNTING	13
Orientation	13
Rigging.....	13
4. OPERATING INSTRUCTIONS	14
NAVIGATING THE CONTROL PANEL.....	14
MENU MAP.....	15
Menu Functions	16
User Configurations	16
To set the pan to inverting or non-inverting:	16
To set the tilt to inverting or non-inverting:	16
To change the color wheel setting:	16
To change the channels setting:.....	17
Service Functions	17
To reset the fixture:.....	17
To change the Display backlight:.....	17
OPERATION.....	17
Stand-Alone Mode (Sound-Active, Auto Mode):.....	17
Master/Slave Mode (Master Sound, Master Auto):.....	18
DMX Mode.....	18
DMX CHANNEL VALUES IN MASTER MODE	19
DMX CHANNEL VALUES IN BASIC MODE	20
GENERAL TROUBLESHOOTING	22
TECHNICAL SUPPORT	23
5. APPENDIX	23
DMX PRIMER	23
GENERAL MAINTENANCE	24
RETURNS PROCEDURE	24
CLAIMS	24
EXPLODED VIEW	25
DIMENSIONS	26
TECHNICAL SPECIFICATIONS.....	27
PHOTOMETRICS	27

1. BEFORE YOU BEGIN

What is included

- 1 x Q-Spot 200™
- 250W MSD Lamp
- 5 additional metal gobos
- Power Cord
- Warranty Card
- User Manual

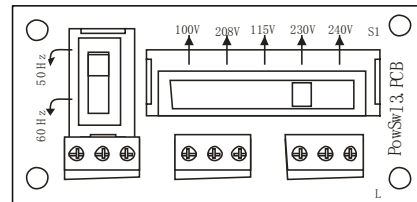
Unpacking Instructions

Immediately upon receiving a fixture, carefully unpack the carton, check the contents to ensure that all parts are present, and have been received in good condition. Notify the shipper immediately and retain packing material for inspection if any parts appear damaged from shipping or the carton itself shows signs of mishandling. Save the carton and all packing materials. In the event that a fixture must be returned to the factory, it is important that the fixture be returned in the original factory box and packing.

AC Power

To determine the power requirements for a particular fixture, see the label affixed to the back plate of the fixture or refer to the fixture's specifications chart. A fixture's listed current rating is its average current draw under normal conditions. All fixtures must be powered directly off a switched circuit and cannot be run off a rheostat (variable resistor) or dimmer circuit, even if the rheostat or dimmer channel is used solely for a 0% to 100% switch. Before applying power to a fixture, check that the source voltage matches the fixture's requirement. Check the fixture or device carefully to make sure that if a voltage selection switch exists that it is set to the correct line voltage you will use.

Figure 1 - AC Voltage Switch



Warning!

Verify that the voltage select switch on your unit matches the line voltage applied, and that the frequency select switch on your unit matches the frequency of the power in your region. Also verify that you are using the correct fuse value for your operating voltage. All fixtures must be connected to circuits with a suitable Earth Ground. Damage to your fixture may occur if these instructions are not followed.

POWER CABLE	PIN	INTERNATIONAL
BROWN	Live	L
BLUE	Neutral	N
YELLOW/GREEN	Earth	EG (Ground)

OPERATING VOLTAGE	MUST USE CORRECT FUSE
120V	6.3A
230V	3.15A

Contact Us

World Wide

General Information Chauvet Lighting
3000 North 29th Court
Hollywood, FL 33020
voice: 954.929.1115
fax: 954.929.5560
toll free: 800.762.1084

Technical Support Chauvet Lighting
3000 North 29th Court
Hollywood, FL 33020
voice: 954.929.1115 (**Press 4**)
fax: 954.929.5560 (**Attention: Service**)

World Wide Web www.chauvetlighting.com

Safety Instructions



Please read these instructions carefully, which includes important information about the installation, usage and maintenance of this product.

- Please keep this User Guide for future consultation. If you sell the unit to another user, be sure that they also receive this instruction booklet.
- Always make sure that you are connecting to the proper voltage, and that the line voltage you are connecting to is not higher than that stated on the decal or rear panel of the fixture.
- This product is intended for indoor use only!
- To prevent risk of fire or shock, do not expose fixture to rain or moisture. Make sure there are no flammable materials close to the unit while operating.
- The unit must be installed in a location with adequate ventilation, at least 20in (50cm) from adjacent surfaces. Be sure that no ventilation slots are blocked.
- Always disconnect from power source before servicing or replacing lamp or fuse and be sure to replace with same lamp source.
- Secure fixture to fastening device using a safety chain. Never carry the fixture solely by its head. Use its carrying handles.
- Maximum ambient temperature (Ta) is 95°F (35°C). Do not operate fixture at temperatures higher than this.
- In the event of a serious operating problem, stop using the unit immediately. Never try to repair the unit by yourself. Repairs carried out by unskilled people can lead to damage or malfunction. Please contact the nearest authorized technical assistance center. Always use the same type spare parts.
- Don't connect the device to a dimmer pack.
- Make sure the power cord is never crimped or damaged.
- Never disconnect the power cord by pulling or tugging on the cord.
- Avoid direct eye exposure to the light source while it is on.

Caution!

There are no user serviceable parts inside the unit. Do not open the housing or attempt any repairs yourself. In the unlikely event your unit may require service, please contact CHAUVET at: 954-929-1115.

2. INTRODUCTION

Features

- 11 or 14-channel DMX-512 moving yoke
- Pan: 540° / tilt: 270°
- Variable strobe/shutter
- Color wheel
 - 9 colors + white
 - Rainbow color spin at variable speeds
- Rotating gobo wheel
 - 7 interchangeable, rotating + open
 - 4 metal, 3 glass installed
 - Additional free gobos: 5 metal
 - Rotating gobo wheel spin at variable speeds
 - Gobo Bounce™
- 3-facet prism
- Variable motorized focus
- Variable motorized dimmer (0 – 100%)
- Remote fixture reset & vector speed channel
- Built-in effect macros via DMX
- Built-in automated programs via master/slave or DMX
- Built-in sound-active programs via master/slave or DMX

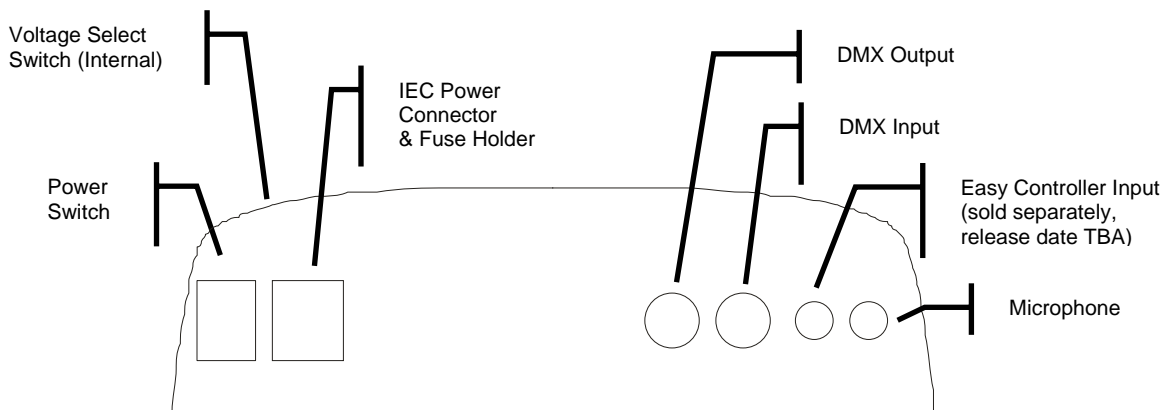
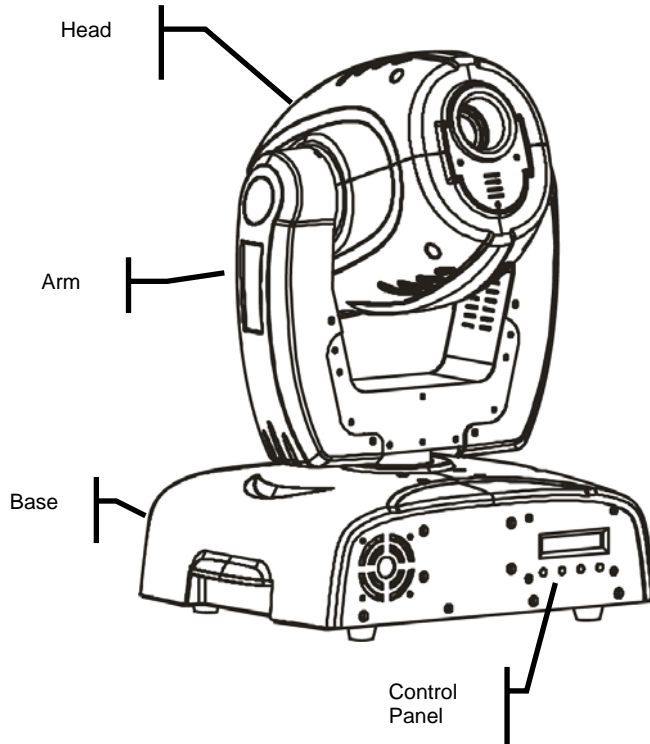
Additional Features

- Automatic pan & tilt correction
- User-selectable basic or advanced operating modes
- Micro-stepping motors
- LCD display
- Display auto on/off
- Thermal switch
- Fan cooled

DMX Channel Summary

CHANNEL	FUNCTION (ADVANCED MODE)	FUNCTION (BASIC MODE)
1	Pan	Pan
2	Tilt	Tilt
3	Fine pan	Color wheel
4	Fine tilt	Gobo wheel and gobo shake
5	Vector speed	Gobo rotate
6	Color wheel	Strobe
7	Gobo wheel and gobo shake	Dimmer
8	Gobo rotate	Automatic and reset
9	Strobe	Prism
10	Dimmer	Focus
11	Automatic and reset	
12	Effect	
13	Prism	
14	Focus	

Product Overview



3. SETUP

Lamp

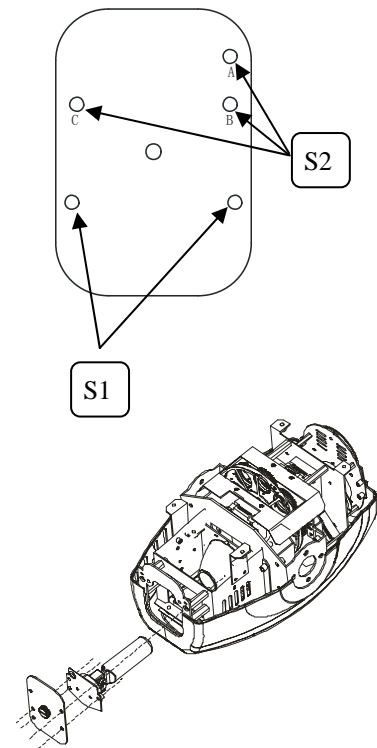
You will need to install a lamp prior to the initial operation of the fixture. A 250W MSD lamp is included.

Warning! *When replacing the lamp, please wait 15 minutes after powering down to allow the unit to cool down! Always disconnect from main power prior to lamp replacement.*

Do not touch the envelope (glass area) of the bulb with bare hands. If this happens, clean the lamp with alcohol and wipe it with a lint free cloth before installation.

LAMP INSTALLATION

1. Remove screws labeled (S1) and pull out lamp socket plate.
2. If replacing the lamp, remove old lamp first.
3. Holding the new lamp by its base, align the pins on the lamp with the small hole in the socket and insert the lamp squarely until the retaining clips on the lamp socket secure the lamp tightly.
4. Clean the glass/envelope of the bulb with an alcohol wipe or equivalent.
5. Holding the lamp socket plate, insert the tip of the lamp into the fixture with extreme care. Navigate the lamp all the way until it reaches the reflector and the lamp base plate touches the bottom plate of the fixture.
6. Align the screw holes and fasten the screws back onto the lamp socket plate.
7. Turn the fixture on and adjust the lamp alignment screws (S2) until the brightest most even area of the beam is in the center of your spot. It may be necessary for you to use a controller in order to command the fixture to display a white beam on a flat surface with no colors.



Maximizing the life of your lamp

To ensure the longest and most efficient use of the lamp always wait between 10 and 15 minutes before re-applying power after a shutdown.

Failure to do so could result in premature aging of the lamp and failure to the electronics that drive it.

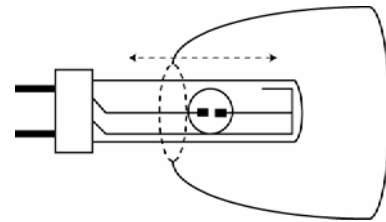
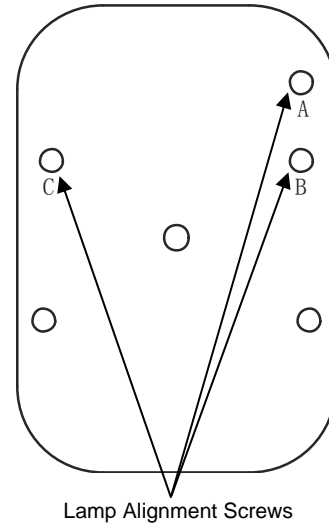
Never turn off the power to the unit while the lamp is striking. Always wait 15 minutes after powering on the fixture before powering down. Turning off the lamp during striking may permanently damage the lamp.

LAMP ALIGNMENT HOW-TO

Often, after a new installation of a lamp, you will find that there is an uneven field of light or what is referred to as a hot spot. This is due to the most intense point of the lamp source not being positioned optimally within the reflector.

There are three lamp alignment screws provided at the base of the projector head. Turning these screws allow you to optimize the projection quality of the spot as well as the overall intensity of the beam.

1. Project a white spot against any flat surface. Preferably the surface should be white or pastel in color.
2. Turning the lamp alignment screws, try to position the hot spot in the center of the beam as best as possible. This could require many attempts on your part.
3. Once the hot spot is in the center of the spot, do your best to turn all screws equally as to affect movement up or down within the reflector.
4. As you move in and out of optimum lamp focus, you will see the hot spot either gets wider or narrower. The goal is to either totally diminish the hot spot by having it widen and spread across the entire spot or moving the hot spot so that it covers as much of the beam spot area as possible.



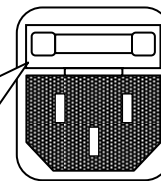
Disconnect the power cord before replacing a fuse and always replace with the same type fuse.



Fuse Replacement

With a flat head screwdriver wedge the fuse holder out of its housing. Remove the damaged fuse from its holder and replace with exact same type fuse. Insert the fuse holder back in its place and reconnect power.

The fuse is located inside this compartment. Remove using a flat head screwdriver.



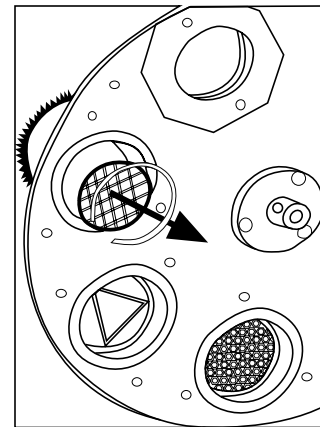
Replacing Gobos

- 1) Remove the four screws indicated in figure A to remove the bottom of the head.
- 2) Remove the glue from the gobo using tweezers.
- 3) Remove the retaining spring from the gobo (figure B).
- 4) Remove the existing gobo, and replace with a new gobo.
- 5) Replace the retaining spring.
- 6) If desired, add three small dabs of high-temperature silicone glue to the retaining spring.
- 7) Repeat steps 4-6 as many times as necessary to replace all desired gobos.
- 8) Replace the bottom cover and retighten the four screws removed in step 1.

Figure A



Figure B



Fixture Linking

You will need a serial data link to run light shows of one or more fixtures using a DMX-512 controller or to run synchronized shows on two or more fixtures set to a master/slave operating mode. The combined number of channels required by all the fixtures on a serial data link determines the number of fixtures the data link can support.

Important: Fixtures on a serial data link must be daisy chained in one single line. To comply with the EIA-485 standard no more than 32 devices should be connected on one data link. Connecting more than 32 fixtures on one serial data link without the use of a DMX optically-isolated splitter may result in deterioration of the digital DMX signal.

Maximum recommended serial data link distance: 500 meters (1640 ft.)

Maximum recommended number of fixtures on a serial data link: 32 fixtures

Data Cabling

To link fixtures together you must obtain data cables. You can purchase CHAUVET-certified DMX cables directly from a dealer/distributor or construct your own cable. If you choose to create your own cable please use data-grade cables that can carry a high quality signal and are less prone to electromagnetic interference.

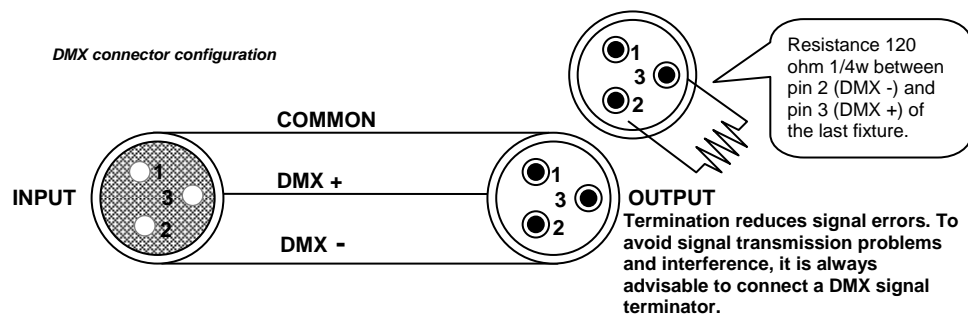
DMX DATA CABLE

Use a Belden® 9841 or equivalent cable which meets the specifications for EIA RS-485 applications. Standard microphone cables cannot transmit DMX data reliably over long distances. The cable will have the following characteristics:

2-conductor twisted pair plus a shield
Maximum capacitance between conductors – 30 pF/ft.
Maximum capacitance between conductor and shield – 55 pF/ft.
Maximum resistance of 20 ohms / 1000 ft.
Nominal impedance 100 – 140 ohms

CABLE CONNECTORS

Cabling must have a male XLR connector on one end and a female XLR connector on the other end.



CAUTION Do not allow contact between the common and the fixture's chassis ground. Grounding the common can cause a ground loop, and your fixture may perform erratically. Test cables with an ohm meter to verify correct polarity and to make sure the pins are not grounded or shorted to the shield or each other.

3-PIN TO 5-PIN CONVERSION CHART

Note! If you use a controller with a 5 pin DMX output connector, you will need to use a 5 pin to 3 pin adapter. CHAUVET Model No: DMX5M, or DMX5F. The chart below details a proper cable conversion:

3 PIN TO 5 PIN CONVERSION CHART		
Conductor	3 Pin Female (output)	5 Pin Male (Input)
Ground/Shield	Pin 1	Pin 1
Data (-) signal	Pin 2	Pin 2
Data (+) signal	Pin 3	Pin 3
Do not use		Do not use
Do not use		Do not use

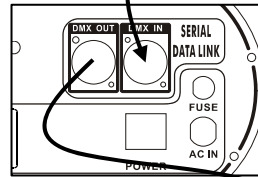
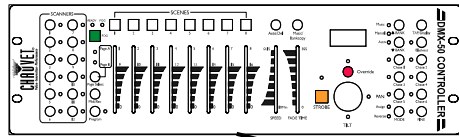
SETTING UP A DMX SERIAL DATA LINK

1. Connect the (male) 3 pin connector side of the DMX cable to the output (female) 3 pin connector of the controller.
2. Connect the end of the cable coming from the controller which will have a (female) 3 pin connector to the input connector of the next fixture consisting of a (male) 3 pin connector.
3. Then, proceed to connect from the output as stated above to the input of the following fixture and so on.

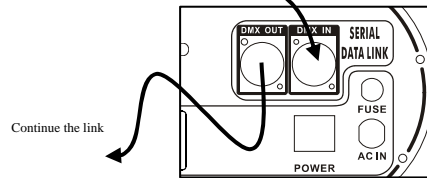
CHAUVET Certified DMX Data Cables

Order Code	Description
DMX1.5	DMX Cable 1.5m/4.9ft
DMX4.5	DMX Cable 4.5m/14.8ft
DMX10	DMX Cable 10m/32.8ft

Universal DMX Controller



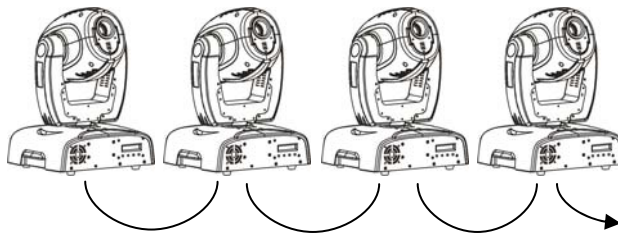
This drawing provides a general illustration of the DMX Input/Output panel of a lighting fixture.



Master/Slave Fixture Linking

1. Connect the (male) 3 pin connector side of the DMX cable to the output (female) 3 pin connector of the first fixture.
2. Connect the end of the cable coming from the first fixture which will have a (female) 3 pin connector to the input connector of the next fixture consisting of a (male) 3 pin connector. Then, proceed to connect from the output as stated above to the input of the following fixture and so on.

Often, the setup for Master-Slave and Standalone operation requires that the first fixture in the chain be initialized for this purpose via either settings in the control panel or DIP-switches. Secondly, the fixtures that follow may also require a slave setting. Please consult the "Operating Instructions" section in this manual for complete instructions for this type of setup and configuration.



Mounting

ORIENTATION

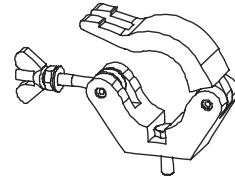
This fixture may be mounted in any position provided there is adequate room for ventilation.

RIGGING

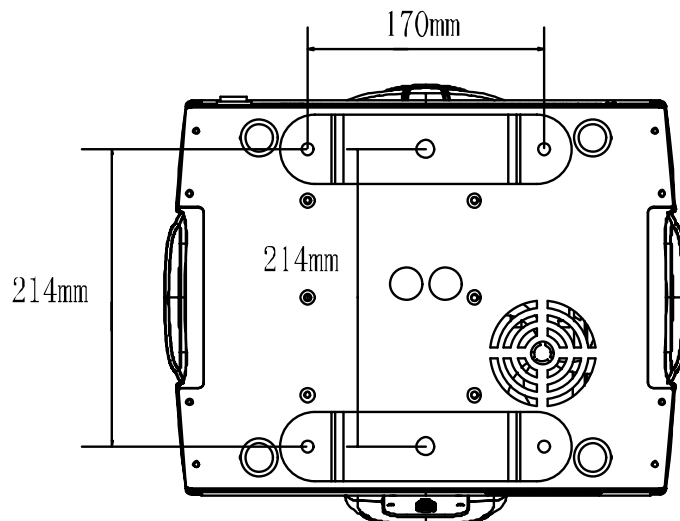
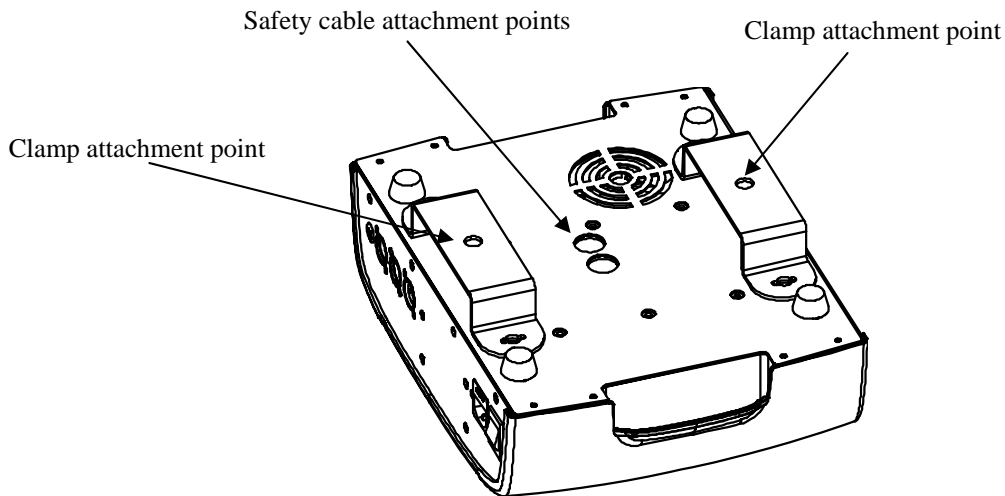
It is important never to obstruct the fan or vents pathway. Mount the fixture using a suitable "C" or "O" type clamp. Adjust the angle of the fixture by loosening both knobs and tilting the fixture. After finding the desired position, retighten both knobs.

- When selecting installation location, take into consideration lamp replacement access and routine maintenance.
- Safety cables should always be used.
- Never mount in places where the fixture will be exposed to rain, high humidity, extreme temperature changes or restricted ventilation.

Hanging Clamp



Note!
Clamp is sold separately.

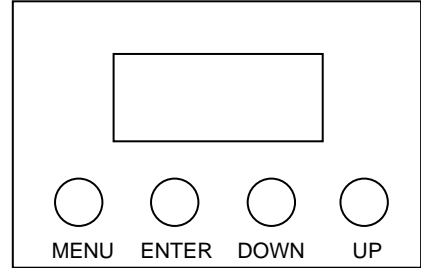


4. OPERATING INSTRUCTIONS

Navigating the Control Panel

Access control panel functions using the four panel buttons located directly underneath the LCD Display.

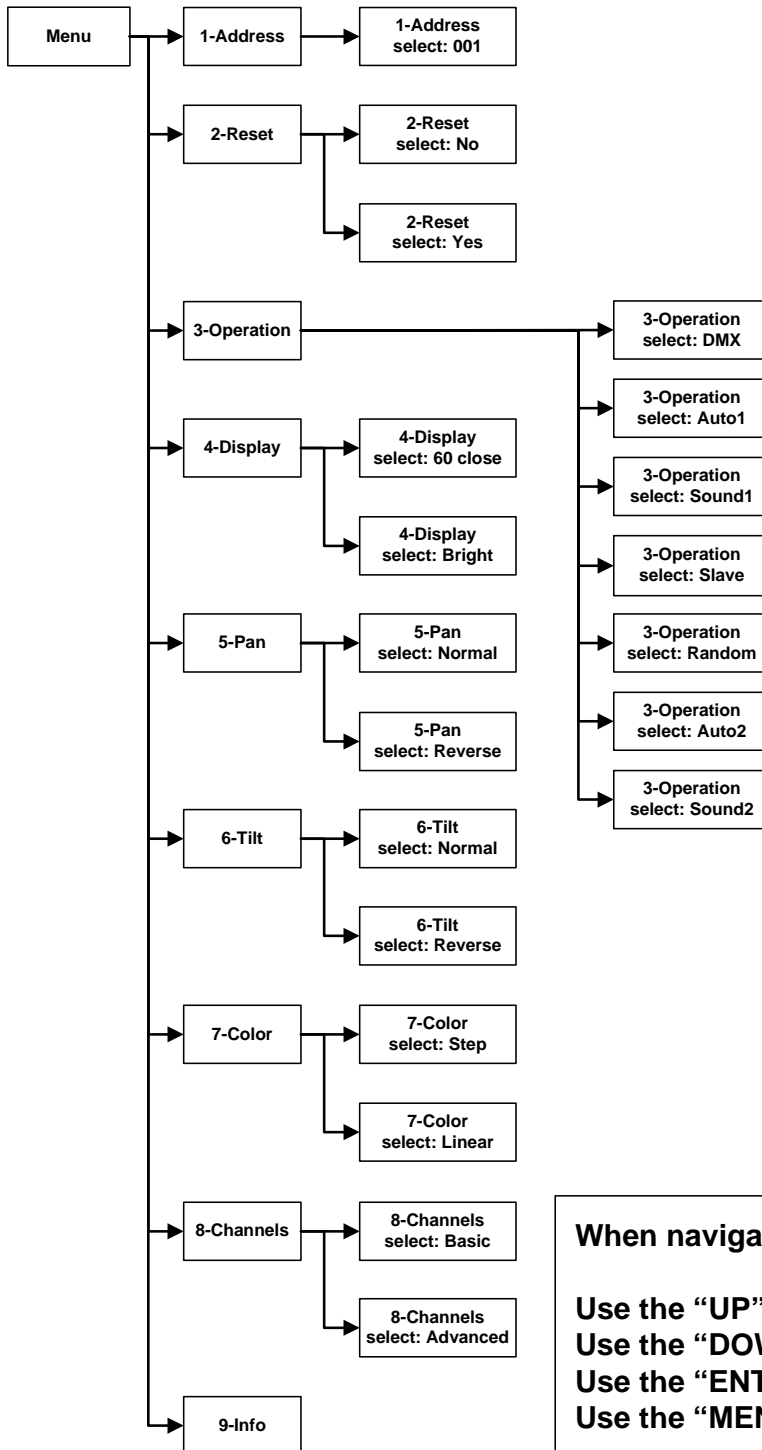
Button	Function
<MENU>	Used to access the menu or to return to a previous menu option
<ENTER>	Used to select and store the current menu or option within a menu
<DOWN>	Scrolls through menu options in descending order
<UP>	Scrolls through menu options in ascending order



The Control Panel LCD Display shows the menu items you select from the menu map on page 13. When a menu function is selected, the display will show immediately the first available option for the selected menu function. To select a menu item, press <ENTER>.

Press the <MENU> button repeatedly until *MENU* appears on the top line of the display. This is the top of the menu map. What appears on the bottom line of the display is one of the four choices in the menu map. Use the <UP> and <DOWN> buttons to navigate the menu map and menu options. Press the <ENTER> button to access the menu function currently displayed or to enable a menu option. To return to the previous option or menu without changing the value, press the <MENU> button.

Menu Map



When navigating the menu:

Use the “UP” button to move up.
 Use the “DOWN” button to move down.
 Use the “ENTER” button to move right.
 Use the “MENU” button to move up.

Menu Functions

MENU OPTION	DESCRIPTION
1-Address	Set the DMX address for the fixture.
2-Reset	Reset the fixture.
3-Operation	Select operating mode: DMX, Auto 1, Auto 2, Music 1, Music 2, Slave, or Random. Auto and Music modes set the fixture to Master/Stand-alone mode.
4-Display	Change whether display backlight turns off after 60 seconds or not.
5-Pan	Pan normal or inverted.
6-Tilt	Tilt normal or inverted.
7-Color	Set the color wheel to linear control (split colors), or snap to color.
8-Channels	Set the fixture to 12 channel (Advanced mode) or 9 channel (Basic mode) operation.
9-Info	Software version

User Configurations

TO SET THE PAN TO INVERTING OR NON-INVERTING:

- 1) Press the **<MENU>** button.
- 2) Scroll up or down until **<5-Pan>** is displayed.
- 3) Press **<ENTER>**.
- 4) Press up or down until **<select: Normal>** or **<select: Reverse>** is displayed.
- 5) Press **<ENTER>**.

TO SET THE TILT TO INVERTING OR NON-INVERTING:

- 1) Press the **<MENU>** button.
- 2) Scroll up or down until **<6-Tilt>** is displayed.
- 3) Press **<ENTER>**.
- 4) Press up or down until **<select: Normal>** or **<select: Reverse>** is displayed.
- 5) Press **<ENTER>**.

TO CHANGE THE COLOR WHEEL SETTING:

- 1) Press the **<MENU>** button.
- 2) Scroll up or down until **<7-Color>** is displayed.
- 3) Press **<ENTER>**.
- 4) Press up or down until **<select: Step>** or **<select: Linear>** is displayed. "Step" snaps to colors, "Linear" allows split colors.
- 5) Press **<ENTER>**.

TO CHANGE THE CHANNELS SETTING:

- 1) Press the **<MENU>** button.
- 2) Scroll up or down until **<8-Channels>** is displayed.
- 3) Press **<ENTER>**.
- 4) Press up or down until **<select: Basic>** or **<select: Advanced>** is displayed. Basic uses 9 channels, Advanced uses 12 channels.
- 5) Press **<ENTER>**.

Service Functions

TO RESET THE FIXTURE:

- 1) Press the **<MENU>** button.
- 2) Scroll up or down until **<2-Reset>** is displayed.
- 3) Press **<ENTER>**.
- 4) Press up or down until **<select: Yes>** is displayed.
- 5) Press **<ENTER>**.

TO CHANGE THE DISPLAY BACKLIGHT:

- 1) Press the **<MENU>** button.
- 2) Scroll up or down until **<4-Display>** is displayed.
- 3) Press **<ENTER>**.
- 4) Press up or down until **<select: 60 close>** or **<select: Bright>** is displayed. 60 close turns the backlight off after 60 seconds; Bright leaves the backlight on always.
- 5) Press **<ENTER>**.

Operation

Stand-Alone Mode (Sound-Active, Auto Mode):

This mode allows a single unit to run to the beat of the music, or the unit will auto change in Auto Mode.

- 1) Press the **<MENU>** button.
- 2) Scroll up or down until **<3-Operation>** is displayed.
- 3) Press **<ENTER>**.
- 4) Press up or down until **<select: Auto1>**, **<select: Auto2>**, **<select: Music1>**, **<select: Music1>**, or **<select: Random>** is displayed.
- 5) Press **<ENTER>**.
- 6) The unit will react to the low frequencies of music via the internal microphone in Sound Active mode, or the unit will auto change in Auto Mode. In Random mode, the unit will periodically change between auto and sound-active modes.

Master/Slave Mode (Master Sound, Master Auto):

This mode will allow you to link up to 32 units together without a controller.

- 1) Use standard DMX cables to daisy chain your units together via the DMX connector on the rear of the units. For longer cable runs we suggest a terminator at the last fixture. For more information about terminators, see page 10.
- 2) Choose a unit to function as Master mode. This unit must be the first unit in the line.
- 3) Press the **<MENU>** button.
- 4) Scroll up or down until **<3-Operation>** is displayed.
- 5) Press **<ENTER>**.
- 6) Press up or down until **<select: Auto1>**, **<select: Auto2>**, **<select: Music1>**, **<select: Music1>**, or **<select: Random>** is displayed.
- 7) Press **<ENTER>**.
- 8) Chain the units together using DMX cable.
- 9) On the slave units, press the **<MENU>** button.
- 10) Scroll up or down until **<3-Operation>** is displayed.
- 11) Press up or down until **<select: Slave>** is displayed.
- 12) Press **<ENTER>**.
- 13) The units will react to the low frequencies of music via the internal microphone in Sound-Active mode, or the unit will auto change in Auto Mode. In Random mode, the unit will periodically change between auto and sound-active modes.

DMX Mode

This mode allows the unit to be controlled by any universal DMX controller. If you are unfamiliar with DMX, please read the DMX Primer on page 23.

- 1) Press the **<MENU>** button.
- 2) Scroll up or down until **<3-Operation>** is displayed.
- 3) Press **<ENTER>**.
- 4) Press up or down until **<select: DMX>** is displayed.
- 5) Press **<ENTER>**.

DMX Channel Values in Advanced Mode

CHANNEL	VALUE	FUNCTION
1	000 ⇔ 255	Pan
2	000 ⇔ 255	Tilt
3	000 ⇔ 255	Fine pan
4	000 ⇔ 255	Fine tilt
5	000 ⇔ 255	Vector Speed: (Normal > Slow)
6	000 ⇔ 014	Color Wheel White (Open)
	015 ⇔ 029	Red
	030 ⇔ 044	Orange
	045 ⇔ 059	Yellow
	060 ⇔ 074	Green
	075 ⇔ 089	Blue
	090 ⇔ 104	Magenta
	105 ⇔ 119	Pink
	120 ⇔ 134	Cyan
	135 ⇔ 149	UV
	150 ⇔ 255	Color scroll: Slow > Fast
7	000 ⇔ 009	Gobo Wheel Open
	010 ⇔ 019	Gobo 1
	020 ⇔ 029	Gobo 2
	030 ⇔ 039	Gobo 3
	040 ⇔ 049	Gobo 4
	050 ⇔ 059	Gobo 5
	060 ⇔ 069	Gobo 6
	070 ⇔ 079	Gobo 7
	080 ⇔ 099	Shaking Gobo 1
	100 ⇔ 119	Shaking Gobo 2
	120 ⇔ 139	Shaking Gobo 3
	140 ⇔ 159	Shaking Gobo 4
	160 ⇔ 179	Shaking Gobo 5
	180 ⇔ 199	Shaking Gobo 6
	200 ⇔ 219	Shaking Gobo 7
	220 ⇔ 255	Gobo scroll: Fast > Slow
8	000 ⇔ 002	Gobo Rotation Stop
	003 ⇔ 006	Rotate CW slow
	007 ⇔ 128	Rotate CW (slow > fast)
	129 ⇔ 132	Rotate CW fast
	133 ⇔ 136	Stop
	137 ⇔ 140	Rotate CCW slow
	141 ⇔ 255	Rotate CCW (slow > fast)
9	000 ⇔ 009	Strobe Open
	019 ⇔ 069	Strobe: Slow > Fast
	070 ⇔ 079	Strobe: Fastest
	080 ⇔ 089	Open
	090 ⇔ 149	Random strobe effect: Slow > Fast
	150 ⇔ 159	Random strobe effect: Fastest
	160 ⇔ 169	Open
	170 ⇔ 252	Strobe: Slow > Fast
	253 ⇔ 255	Strobe: Fastest
10	000 ⇔ 014	Dimmer Closed
	015 ⇔ 255	Closed > Open (0 > 100%)
11	000 ⇔ 029	Automatic & Reset DMX
	030 ⇔ 059	Automatic 1
	060 ⇔ 089	Automatic 2
	090 ⇔ 127	No effect

	128 ⇔ 139	Reset
	140 ⇔ 169	No effect
	170 ⇔ 199	Sound Active 1
	200 ⇔ 229	Sound Active 2
	230 ⇔ 255	Random
12	000 ⇔ 009	Effect No Effect
	010 ⇔ 019	Effect 1
	020 ⇔ 029	Effect 2
	030 ⇔ 039	Effect 3
	040 ⇔ 049	Effect 4
	050 ⇔ 059	Effect 5
	060 ⇔ 069	Effect 6
	070 ⇔ 079	Effect 7
	080 ⇔ 089	Effect 8
	090 ⇔ 099	Effect 9
	100 ⇔ 109	Effect 10
	110 ⇔ 119	Effect 11
	120 ⇔ 129	Effect 12
	130 ⇔ 139	Effect 13
	140 ⇔ 149	Effect 14
	150 ⇔ 159	Effect 15
	160 ⇔ 169	Effect 16
	170 ⇔ 179	Effect 17
	180 ⇔ 189	Effect 18
	190 ⇔ 199	Effect 19
	200 ⇔ 209	Effect 20
	210 ⇔ 219	Effect 21
	220 ⇔ 229	Effect 22
	230 ⇔ 239	Effect 23
	240 ⇔ 249	Effect 24
250 ⇔ 255	Effect 25	
13	000 ⇔ 127	Prism No prism
	128 ⇔ 255	Prism
14	000 ⇔ 255	Focus Far distance > Close distance

DMX Channel Values in Basic Mode

CHANNEL	VALUE	FUNCTION
1	000 ⇔ 255	Pan
2	000 ⇔ 255	Tilt
3	000 ⇔ 014	Color Wheel White (Open)
	015 ⇔ 029	Red
	030 ⇔ 044	Orange
	045 ⇔ 059	Yellow
	060 ⇔ 074	Green
	075 ⇔ 089	Blue
	090 ⇔ 104	Magenta
	105 ⇔ 119	Pink
	120 ⇔ 134	Cyan
	135 ⇔ 149	UV
	150 ⇔ 255	Color scroll: Slow > Fast
4	000 ⇔ 009	Gobo Wheel Open
	010 ⇔ 019	Gobo 1
	020 ⇔ 029	Gobo 2
	030 ⇔ 039	Gobo 3
	040 ⇔ 049	Gobo 4
	050 ⇔ 059	Gobo 5
	060 ⇔ 069	Gobo 6
	070 ⇔ 079	Gobo 7

	080 ⇔ 099 100 ⇔ 119 120 ⇔ 139 140 ⇔ 159 160 ⇔ 179 180 ⇔ 199 200 ⇔ 219 220 ⇔ 255	Shaking Gobo 1 Shaking Gobo 2 Shaking Gobo 3 Shaking Gobo 4 Shaking Gobo 5 Shaking Gobo 6 Shaking Gobo 7 Gobo scroll: Fast > Slow
5	000 ⇔ 002 003 ⇔ 006 007 ⇔ 128 129 ⇔ 132 133 ⇔ 136 137 ⇔ 140 141 ⇔ 255	Gobo Rotation Stop Rotate CW slow Rotate CW (slow > fast) Rotate CW fast Stop Rotate CCW slow Rotate CCW (slow > fast)
6	000 ⇔ 009 019 ⇔ 069 070 ⇔ 079 080 ⇔ 089 090 ⇔ 149 150 ⇔ 159 160 ⇔ 169 170 ⇔ 252 253 ⇔ 255	Strobe Open Strobe: Slow > Fast Strobe: Fastest Open Random strobe effect: Slow > Fast Random strobe effect: Fastest Open Strobe: Slow > Fast Strobe: Fastest
7	000 ⇔ 014 015 ⇔ 255	Dimmer Closed Closed > Open (0 > 100%)
8	000 ⇔ 029 030 ⇔ 059 060 ⇔ 089 090 ⇔ 127 128 ⇔ 139 140 ⇔ 169 170 ⇔ 199 200 ⇔ 229 230 ⇔ 255	Automatic & Reset DMX Automatic 1 Automatic 2 No effect Reset No effect Sound Active 1 Sound Active 2 Random
9	000 ⇔ 127 128 ⇔ 255	Prism No prism Prism
10	000 ⇔ 255	Focus Far distance > Close distance

General Troubleshooting

Symptom	Solution(s)	Applies to			
		Lights	Foggers & Snow	Controllers	Dimmers & Chaser
Auto shut off	Check fan thermal switch reset	✓			
Beam is very dim or not bright	Clean optical system or replace lamp Check 220/110v switch for proper setting	✓			
Breaker/Fuse keeps blowing	Check total load placed on device				✓
Chase is too slow	Check users manual for speed adjustment	✓		✓	✓
Device has no power	Check for power on Mains. Check device's fuse. (internal and/or external)	✓		✓	✓
Fixture is not responding	Check DMX Dip switch settings for correct addressing Check DMX cables Check polarity switch settings	✓			
Fixture is on but there is no movement to the audio	Make sure you have the correct audio mode on the control switches. If audio provided via ¼" jack, make sure a live audio signal exists Adjust sound sensitivity knob	✓		✓	✓
Lamps cuts off sporadically	Possible bad lamp or fixture is overheating. Lamp may be at end of its life.	✓			
Light will not come on after power failure	Some discharge lamps require a cooling off period before the electronics in the fixture can kick start it again, wait 5 to 10 minutes before powering up	✓			
Loss of signal	Use only DMX cables Install terminator Note: Keep DMX cables separated from power cables or black lights.	✓	✓	✓	✓
Moves slow	Check 220/110v switch for proper setting	✓			
No flash	Re-install bulb, may have shifted in shipping	✓			
No laser output	Bounce mirror motor may have shifted during shipping, readjust	✓			
No light output	Check slip ring & brushes for contact Install bulb Call service technician	✓			
Relay will not work	Check reset switch Check cable connections				✓
Remote does not work	Make sure connector is firmly connected to device	✓	✓		
Stand alone mode	All Chauvet lighting fixtures featuring stand-alone functions do not require additional settings, simply power the fixture and it will automatically enter into this mode	✓			

If you still have a problem after trying the above solutions, please contact CHAUVET Technical Support at the location on the next page.

Technical Support

Address: Service Dept.
3000 N 29th Ct, Hollywood, FL 33020 (U.S.A.)
Support (Email): tech@chauvetlighting.com
Telephone: (954) 929-1115 - (Press 4)
Fax: (954) 929-5560 - (Attention: Service)
Website: <http://www.chauvetlighting.com>

5. APPENDIX

DMX Primer

There are 512 channels in a DMX-512 connection. Channels may be assigned in any manner. A fixture capable of receiving DMX 512 will require one or a number of sequential channels. The user must assign a starting address on the fixture that indicates the first channel reserved in the controller. There are many different types of DMX controllable fixtures and they all may vary in the total number of channels required. Choosing a start address should be planned in advance. Channels should never overlap. If they do, this will result in erratic operation of the fixtures whose starting address is set incorrectly. You can however, control multiple fixtures of the same type using the same starting address as long as the intended result is that of unison movement or operation. In other words, the fixtures will be slaved together and all respond exactly the same.

DMX fixtures are designed to receive data through a serial Daisy Chain. A Daisy Chain connection is where the DATA OUT of one fixture connects to the DATA IN of the next fixture. The order in which the fixtures are connected is not important and has no effect on how a controller communicates to each fixture. Use an order that provides for the easiest and most direct cabling. Connect fixtures using shielded two conductor twisted pair cable with three pin XLR male to female connectors. The shield connection is pin 1, while pin 2 is Data Negative (S-) and pin 3 is Data positive (S+). CHAUVET carries 3-pin XLR DMX compliant cables, DMX-10 (33'), DMX-4.5 (15') and DMX-1.5 (5')

General Maintenance

To maintain optimum performance and minimize wear fixtures should be cleaned frequently. Usage and environment are contributing factors in determining frequency. As a general rule, fixtures should be cleaned at least twice a month. Dust build up reduces light output performance and can cause overheating. This can lead to reduced lamp life and increased mechanical wear. Be sure to power off fixture before conducting maintenance.

Unplug fixture from power. Use a vacuum or air compressor and a soft brush to remove dust collected on external vents and internal components. Clean all glass when the fixture is cold with a mild solution of glass cleaner or Isopropyl Alcohol and a soft lint free cotton cloth or lens tissue. Apply solution to the cloth or tissue and drag dirt and grime to the outside of the lens. Gently polish optical surfaces until they are free of haze and lint.

The cleaning of internal and external optical lenses and/or mirrors must be carried out periodically to optimize light output. Cleaning frequency depends on the environment in which the fixture operates: damp, smoky or particularly dirty surrounding can cause greater accumulation of dirt on the unit's optics. Clean with soft cloth using normal glass cleaning fluid. - Always dry the parts carefully. - Clean the external optics at least every 20 days. Clean the internal optics at least every 30/60 days.

Returns Procedure

Returned merchandise must be sent prepaid and in the original packing, call tags will not be issued. Package must be clearly labeled with a Return Merchandise Authorization Number (RA #). Products returned without an RA # will be refused. Call CHAUVET and request RA # prior to shipping the fixture. Be prepared to provide the model number, serial number and a brief description of the cause for the return. Be sure to properly pack fixture, any shipping damage resulting from inadequate packaging is the customer's responsibility. CHAUVET reserves the right to use its own discretion to repair or replace product(s). As a suggestion, proper UPS packing or double-boxing is always a safe method to use.

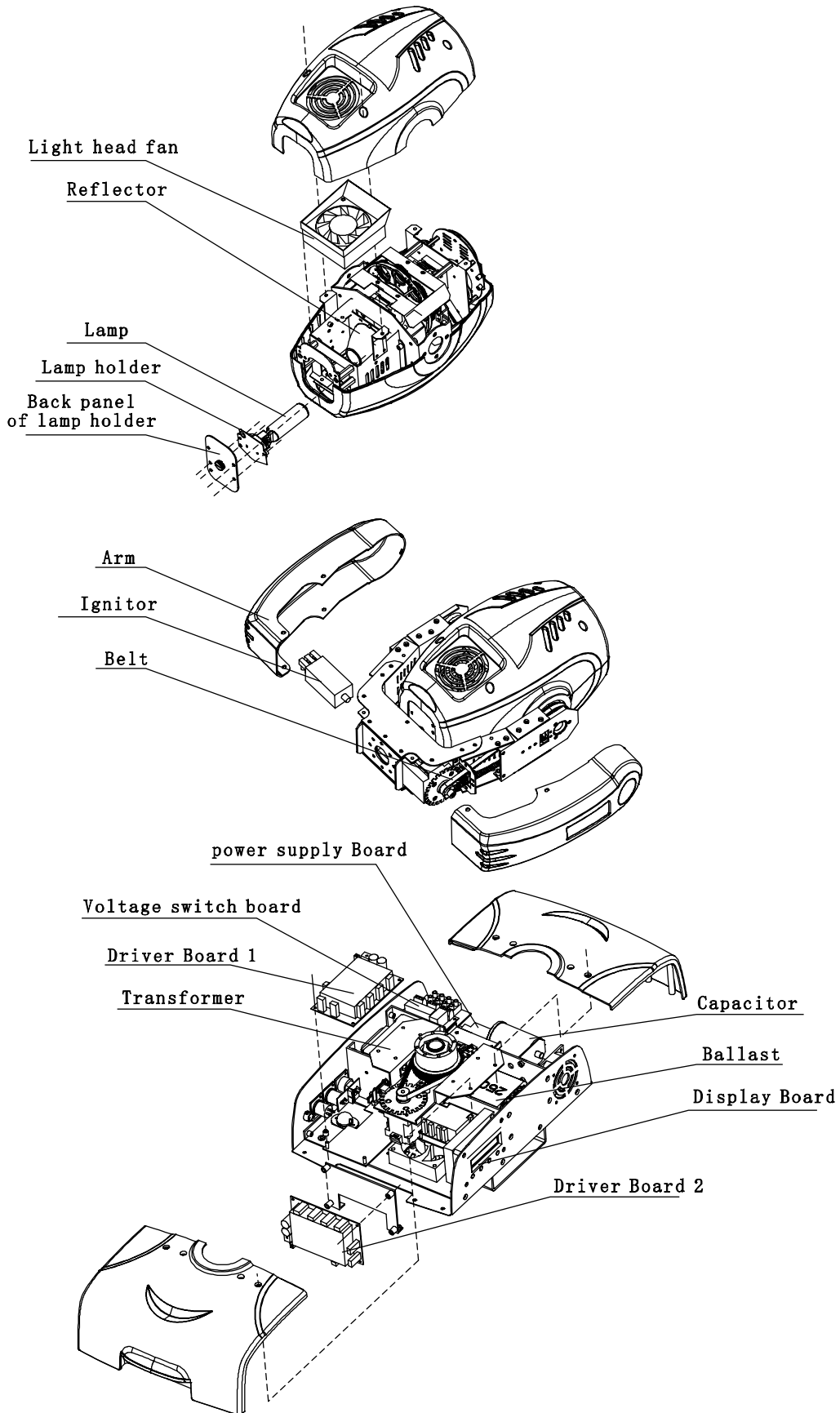
Note: If you are given an RA #, please include the following information on a piece of paper inside the box:

- 1) Your name
- 2) Your address
- 3) Your phone number
- 4) The RA #
- 5) A brief description of the symptoms

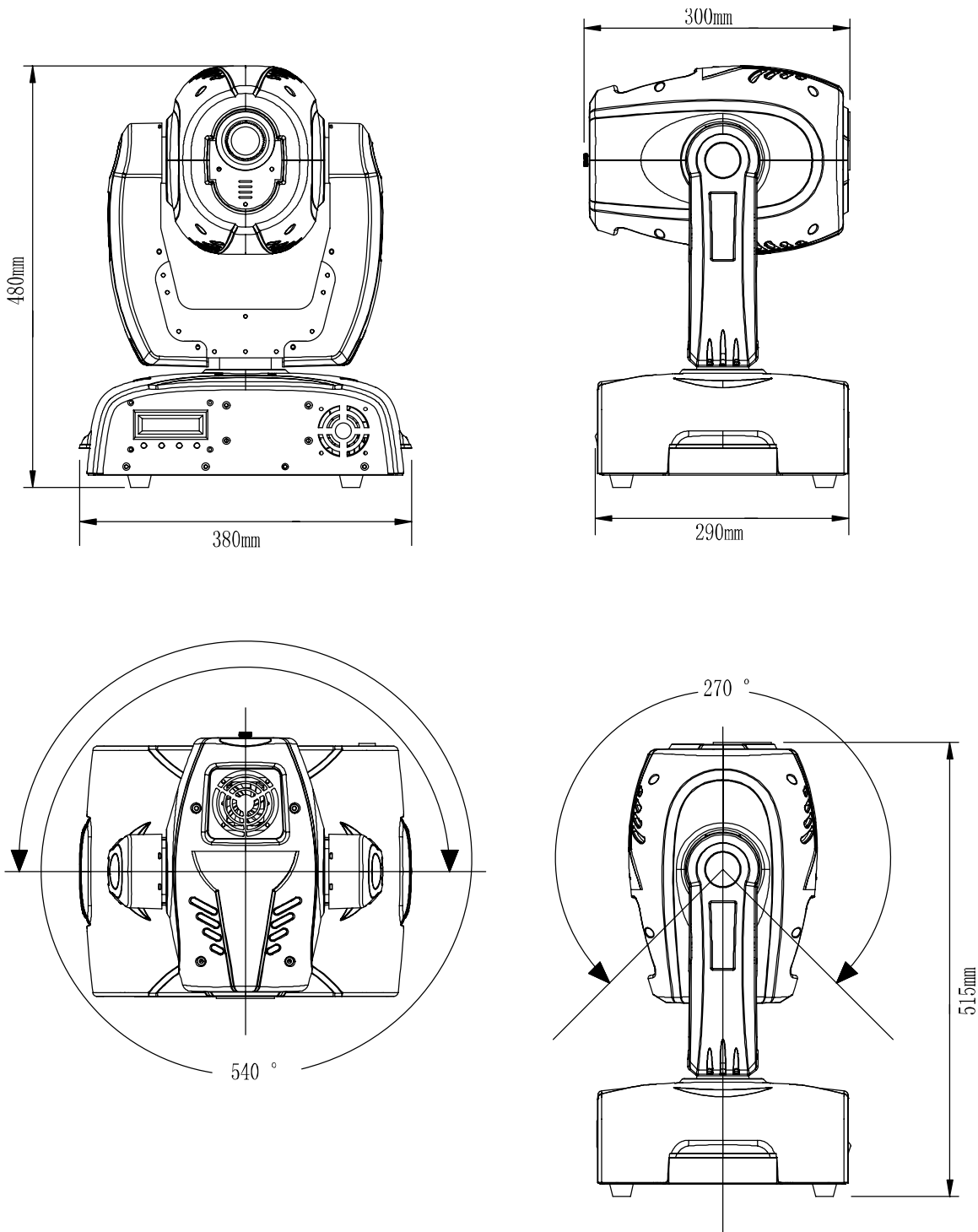
Claims

Damage incurred in shipping is the responsibility of the shipper; therefore the damage must be reported to the carrier upon receipt of merchandise. It is the customer's responsibility to notify and submit claims with the shipper in the event that a fixture is damaged due to shipping. Any other claim for items such as missing component/part, damage not related to shipping, and concealed damage, must be made within seven (7) days of receiving merchandise.

Exploded View



Dimensions



Technical Specifications

WEIGHT & DIMENSIONS

Length..... 11.4 in (290 mm)
 Width 15 in (380 mm)
 Height..... 18.9 in (480 mm)
 Weight 40 lbs (18.18 kg)

POWER

Operating Voltage (internally selectable) 100V, 115V, 208V, 230V - 50/60 Hz
 Power Consumption 334W (2.93A) Max
 Inrush Power 292W (6.29A) at 120V
 Power Factor 0.95 at 120V

FUSE

110V Operation 6.3A 125V fast blow or 6.3A 250V fast blow
 230V Operation 3.15A 250V fast blow

LIGHT SOURCE

Lamp..... MSD 250W 8500°K 2000hrs

PHOTO OPTIC

Beam Angle 13.8°
 Pan 540°
 Tilt..... 265°
 Illuminance at 1m 6,720 fc (72,307 lux)

GOBOS

Outside diameter 25.6 mm
 Image diameter (maximum) 20.5 mm
 Thickness 3 mm

CONTROL & PROGRAMMING

Data input locking 3-pin XLR male socket
 Data output locking 3-pin XLR female socket
 Data pin configuration pin 1 shield, pin 2 (-), pin 3 (+)
 Protocols..... DMX-512 USITT
 DMX Channels 14/8

ORDERING INFORMATION

Q-Spot 200 Q-Spot 200

WARRANTY INFORMATION

Warranty 2-year limited warranty

Photometrics

