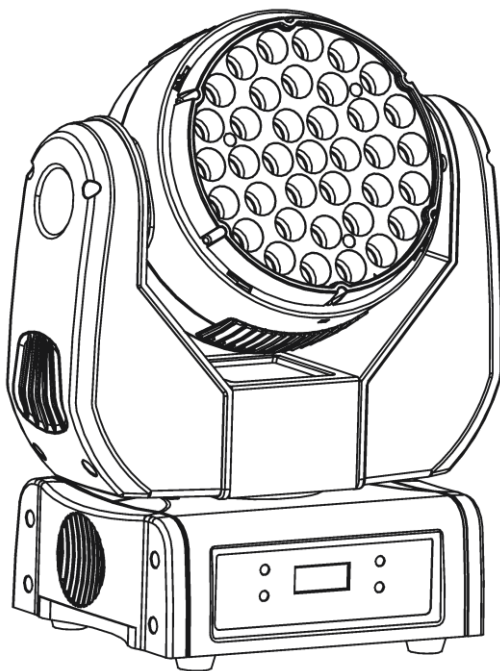


Q-WASH™ 260-LED

Quick Reference Guide



CHAUVET®

It's Green Thinking

About This Guide

The Q-Wash 260-LED Quick Reference Guide (QRG) only contains the product's connection and mounting information, as well as the menu options and the DMX values.

Disclaimer

- This Quick Reference Guide DOES NOT replace the product's User Manual.
- Make sure to download the latest version of the product's User Manual from www.chauvetlighting.com.
- You must read ALL the disclaimers and safety notes in this document as well as those in the product's User Manual before installing, operating, or maintaining this product.

Safety Notes

- DO NOT open this product unless instructed. It contains no user serviceable parts.
- DO NOT look at the light source when this product is on.
- DO NOT touch the product when it is operating because it may be hot.
- DO NOT cover the ventilation slots when the product is operating to avoid internal overheating.
- DO NOT install or operate this product where there is less than 50 cm to the nearest surface to allow adequate ventilation around it.
- DO NOT leave any flammable material within 50 cm from this product while operating or connected to the power outlet to minimize the risk of fire.
- DO NOT carry this product from the head. Use the handles instead.
- DO NOT mount this product overhead without using a safety cable.
- DO NOT operate this product outdoors or in any location where dust, excessive heat, water, or humidity may affect it.
- DO NOT operate this product if you see damage on the housing, lenses, or cables. In any of these cases, have the damaged parts replaced by an authorized technician at once.
- DO NOT connect this product to a dimmer or rheostat.
- ONLY connect this product to a grounded and protected circuit.

What Is Included

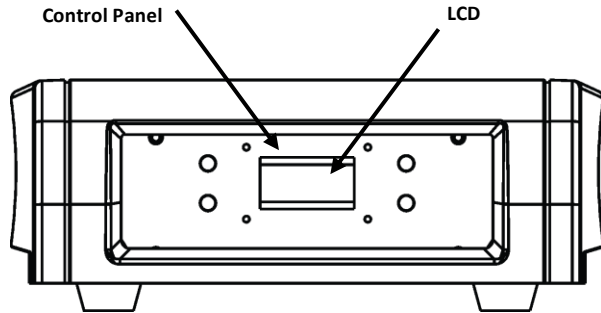
- One Q-Wash 260-LED
- One Locking IEC to Edison Plug Input Power Cord (US market)
- Two Hanging Brackets
- Four M8 Bolts (6 mm head)
- One Safety Cable
- One Custom Cut, Removable 1° Color Blending Filter
- One Warranty Card
- One Quick Reference Guide

Features

- Operating modes:
 - 9-channel: Pan, tilt, red, green, blue, color/macros, dimmer, strobe, control
 - 12-channel: Pan, pan fine, tilt, tilt fine, pan/tilt speed, red, green, blue, color/macros, dimmer, strobe, and control
- Pan: 540°
- Tilt: 270°
- RGB static color mixing with or without DMX control
- Electronic strobe (1~20 Hz)
- Electronic dimmer (0~100%)
- High power setting
- Remote product reset and vector speed channel
- Auto programs
- Sound activated programs
- 255-step fully customizable program
- Recall auto or custom programs via control panel or DMX
- Color temperature presets (3,200~10,000 K)
- Color calibration
- Fan speed control
- 3-pin DMX input and output connectors
- LCD screen with password protection

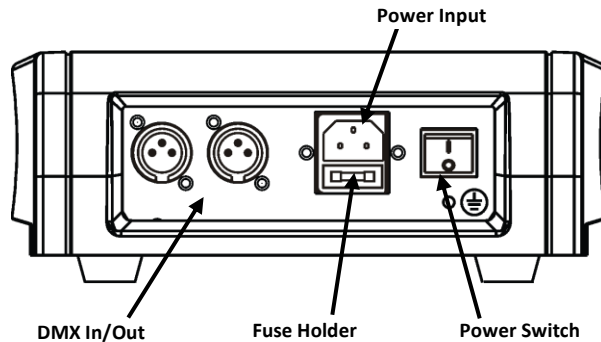
Product Description

The Q-Wash 260-LED is an RGB LED wash moving head with multiple narrow beams. The product consists of a base and a moving head on a yoke. The LEDs are inside ducts, which, along with special optics, provide a very narrow beam angle.



Front Panel

Product Overview



Rear Panel

AC Power This product has an auto-ranging power supply that can work with an input voltage range of 100~240 VAC, 50/60 Hz.

- Fuse Replacement**
1. Disconnect this product from the power outlet.
 2. Wedge the tip of a flat head screwdriver into the slot of the fuse holder.
 3. Pry the safety cap out of its housing to pull out the installed fuse.
 4. Remove the blown fuse from its safety cap and replace it with a fuse of the exact same type and rating (F 3.15 A, 250 V).
 5. Insert the fuse holder back into place and reconnect power.

DMX Linking The Q-Wash 260-LED can work with a DMX controller using a regular DMX serial connection.

If you are not familiar with the DMX standard, please download the *DMX Primer* document from www.chauvetlighting.com.

DMX Connection The Q-Wash 260-LED uses a regular DMX data connection for DMX personalities, **BASIC** and **ADVANCED**.

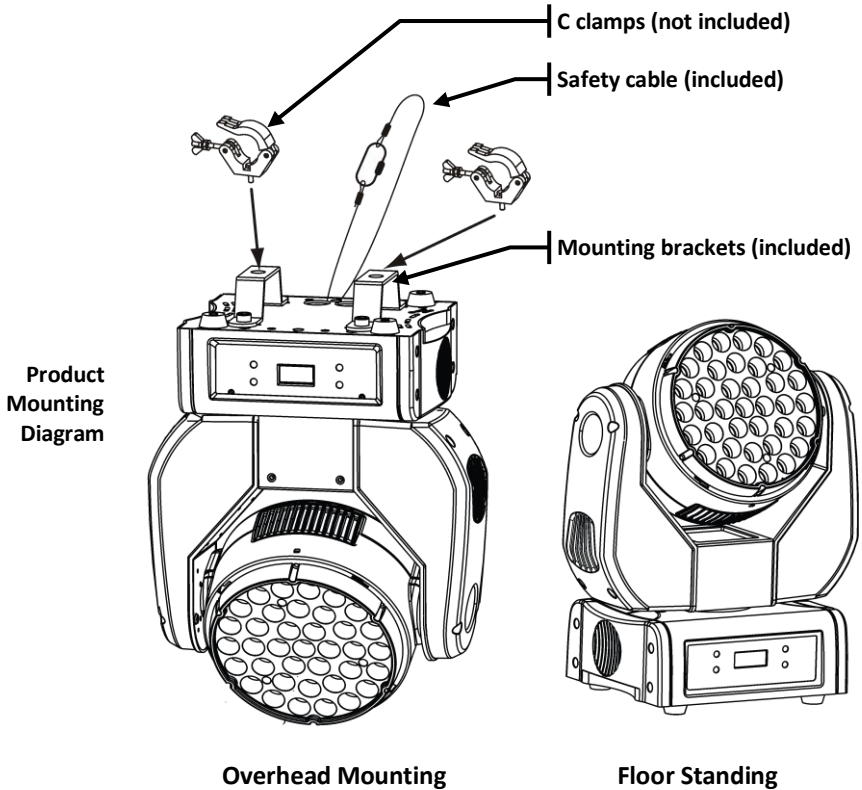
Download the *Q-Wash 260-LED User Manual*. Refer to the *Setup* chapter to learn how to connect this product for DMX operation. To learn how to configure this product for DMX operation, refer to the *Operation* chapter.

Master/Slave Connection The Q-Wash 260-LED uses the DMX data connection for its Master/Slave mode.

Download the *Q-Wash 260-LED User Manual*. Refer to the *Setup* chapter to learn how to connect this product for Master/Slave operation. To learn how to configure this product for Master/Slave operation, refer to the *Operation* chapter.

Mounting

Before mounting this product, read the Safety Notes at the beginning of this guide and on page 2 of the product's User Manual. Then, follow the mounting procedure indicated in the *Setup* chapter of the User Manual.



Programming For details on how to program this product, please refer to the product's User Manual.

Control Panel Description

Button	Function
<MENU>	Exits from the current menu or function
<ENTER>	Enables the currently displayed menu or sets the currently selected value into the selected function
<UP>	Navigates upwards through the menu list and increases the numeric value when in a function
<DOWN>	Navigates downwards through the menu list and decreases the numeric value when in a function

Password

After being prompted to enter the password, press: <UP>, <DOWN>, <UP>, <DOWN>, and <ENTER>.

Start Address

To ensure full access to all channels in each DMX mode, the highest recommended DMX addresses are as follows:

Mode	Address	Mode	Address
BASIC	504	ADVANCED	500

Editing Notes

When in *EDIT* and *CALIB* modes, <UP> and <DOWN> only change the value of the selected option.

To move to the next option press <ENTER> repeatedly. Refer to the *Q-Wash 260-LED User Manual* for more details.

Menu Options

1 st Level	Programming Levels		Description
INTRO	ADDRESS	001-512	Selects a starting DMX address
	RESET	NO/YES	Resets the product's custom settings
	FANS	HIGH	NOTE: Fixture's controller will force the fan to High if the product's internal temperature becomes too high, despite any manual or DMX setting
		NORMAL	
		LOW	
		AUTO	
	RUN	DMX512	Selects DMX running mode
		AUTO1	Selects the first automatic program
		AUTO2	Selects the second automatic program
		CUSTOM	Selects the user customizable program
		SOUND1	Selects the first sound program
		SOUND2	Selects the second sound program
		SLAVE	Selects the Slave running mode
		TEST	Starts the product's test sequence
	CHANNELS	BASIC	Selects the 9-channel DMX mode
		ADVANCED	Selects the 12-channel DMX mode
	DISPLAY	60 CLOSE	Turns off the display after 60 seconds
BRIGHT		Keeps the display on	
KEYLOCK	NO/YES	Activates/deactivates the control panel password	
DIMMER	DIMMER 4-1	Slow (DIM 4) to fast (DIMI) dimmer curves	
	DIMMER 0	Linear dimmer	
INFO	EDITION	Shows the version of the installed S/W	
INVERT	PAN	NORMAL/ REVERSE	Defines the pan direction
	TILT		Defines the tilt direction
	DIMMER		Defines the direction of the dimmer fader
RANGE	USE	NO/YES	Activates the changes
	P/START	000-255	Sets the pan start point (restricted range)
	P/FINISH		Sets the pan end point (restricted range)
	T/START		Sets the tilt start point (restricted range)
	T/FINISH		Sets the tilt end point (restricted range)
USE	Activates the changes		
SPECIAL	BLACKD	NO/YES	Activates the move-in black delay (3 s)
	RESET	DMX	The DMX controller can reset the product
		SYSTEM	The control panel can reset the product
	POWER	NORMAL/ HIGH	LEDs illuminate at normal or high intensity NOTE: The product will return to Normal if the internal temperature becomes too high
		UC	White output matches that of older products
	COLOR	RGBTOW	White output set by RGB-W
		OFF	White output defined by RGBW faders
	FAN	DMX	The DMX controller can set the fan speed
		SYSTEM	The control panel can reset the fan speed
	DMXERROR	SAVE	In case of lost DMX signal, the product will remain in its current state
BLAK		In case of lost DMX signal, the product will blackout	
EDIT	STEP	000-255	Selects the program step
	PAN		Selects the pan position
	TILT		Selects the tilt position
	SPEED		Selects the pan/tilt speed

Continues in the next page

1st Level	Programming Levels		Description
EDIT (Cont.)	RED	000~255	Combines red, green, blue, and white to obtain a custom color
	GREEN		
	BLUE		
	DIMMER		Selects the dimmer value
	STROBE		Selects the strobe frequency and mode
	DIMSPEED		Selects the dimmer speed
	TIME		Selects the step duration
EXTRA	PASSWORD	NO/YES	Activates the changes
		****	Opens the Extra menu (see below)

Extra Menu

1 st Level	2nd Level	3rd Level	4 th Level	Description
CALIB	3200 K	RED	000~255	Sets color temperature for Macro > White 1
		GREEN		
		BLUE		
	3400 K	RED	000~255	Sets color temperature for Macro > White 2
		GREEN		
		BLUE		
	4200 K	RED	000~255	Sets color temperature for Macro > White 3
		GREEN		
		BLUE		
	4900 K	RED	000~255	Sets color temperature for Macro > White 4
		GREEN		
		BLUE		
	5600 K	RED	000~255	Sets color temperature for Macro > White 5
		GREEN		
		BLUE		
	5900 K	RED	000~255	Sets color temperature for Macro > White 6
		GREEN		
		BLUE		
	6500 K	RED	000~255	Sets color temperature for Macro > White 7
		GREEN		
		BLUE		
	7200 K	RED	000~255	Sets color temperature for Macro > White 8
		GREEN		
		BLUE		
	8000 K	RED	000~255	Sets color temperature for Macro > White 9
		GREEN		
		BLUE		
	8500 K	RED	000~255	Sets color temperature for Macro > White 10
		GREEN		
		BLUE		
10000 K	RED	000~255	Sets color temperature for Macro > White 11	
	GREEN			
	BLUE			
RGB-W	RED	000~255	Sets color temperature for SPECIAL > COLOR > RGBTOW	
	GREEN			
	BLUE			
DEFAULT	DEFAULT	NO/YES	N/A	Defaults the product to factory settings

DMX Values

BASIC	Channel	Function	Value	Percent/Setting
	1	Pan	000 ⇔ 255	0~540°
	2	Tilt	000 ⇔ 255	0~270°
	3	Red	000 ⇔ 255	0~100%
	4	Green	000 ⇔ 255	0~100%
	5	Blue	000 ⇔ 255	0~100%
	6	Power and Color Macro	000 ⇔ 005	No function
			006 ⇔ 010	High power
			011 ⇔ 030	R: 100% G: Up B: 0%
			031 ⇔ 050	R: Down G: 100% B: 0%
			051 ⇔ 070	R: 0% G: 100% B: Up
			071 ⇔ 090	R: 0% G: Down B: 100%
			091 ⇔ 110	R: Up G: 0% B: 100%
			111 ⇔ 130	R: 100% G: 0% B: Down
			131 ⇔ 150	R: 100% G: Up B: Up
			151 ⇔ 170	R: Down G: Down B: 100%
			171 ⇔ 200	R: 100% G: 100% B: 100%
			201 ⇔ 205	White 1: 3200 K
			206 ⇔ 210	White 2: 3400 K
			211 ⇔ 215	White 3: 4200 K
			216 ⇔ 220	White 4: 4900 K
			221 ⇔ 225	White 5: 5600 K
			226 ⇔ 230	White 6: 5900 K
	231 ⇔ 235	White 7: 6500 K		
	236 ⇔ 240	White 8: 7200 K		
	241 ⇔ 245	White 9: 8000 K		
	246 ⇔ 250	White 10: 8500 K		
	251 ⇔ 255	White 11: 10,000 K		
	7	Dimmer	000 ⇔ 255	0~100%
	8	Strobe	000 ⇔ 009	No function
			010 ⇔ 255	01~20 Hz
	9	Control	000 ⇔ 019	No function
			020 ⇔ 039	Pan/tilt black activation
			040 ⇔ 059	Pan/tilt black deactivation
			060 ⇔ 079	Automatic fan speed
			080 ⇔ 099	Slow fan speed
			100 ⇔ 119	Normal fan speed
			120 ⇔ 139	High fan speed
			140 ⇔ 149	Auto program 1 (3 s activation delay)
			150 ⇔ 159	Auto program 2 (3 s activation delay)
			160 ⇔ 169	Test (3 s activation delay)
			170 ⇔ 179	Custom program (3 s activation delay)
			180 ⇔ 199	Sound mode active
			200 ⇔ 219	Reset (3 s activation delay)
			220 ⇔ 255	No function

ADVANCED

Channel	Function	Value	Percent/Setting
1	Pan	000 ⇔ 255	0~540°
2	Pan Fine	000 ⇔ 255	Fine movement control
3	Tilt	000 ⇔ 255	0~270°
4	Tilt Fine	000 ⇔ 255	Fine movement control
5	Pan/Tilt Speed	000 ⇔ 255	Fast~Slow
6	Red	000 ⇔ 255	0~100%
7	Green	000 ⇔ 255	0~100%
8	Blue	000 ⇔ 255	0~100%
9	Power and Color Macro	000 ⇔ 005	No function
		006 ⇔ 010	High power
		011 ⇔ 030	R: 100% G: Up B: 0%
		031 ⇔ 050	R: Down G: 100% B: 0%
		051 ⇔ 070	R: 0% G: 100% B: Up
		071 ⇔ 090	R: 0% G: Down B: 100%
		091 ⇔ 110	R: Up G: 0% B: 100%
		111 ⇔ 130	R: 100% G: 0% B: Down
		131 ⇔ 150	R: 100% G: Up B: Up
		151 ⇔ 170	R: Down G: Down B: 100%
		171 ⇔ 200	R: 100% G: 100% B: 100%
		201 ⇔ 205	White 1: 3200 K
		206 ⇔ 210	White 2: 3400 K
		211 ⇔ 215	White 3: 4200 K
		216 ⇔ 220	White 4: 4900 K
		221 ⇔ 225	White 5: 5600 K
		226 ⇔ 230	White 6: 5900 K
231 ⇔ 235	White 7: 6500 K		
236 ⇔ 240	White 8: 7200 K		
241 ⇔ 245	White 9: 8000 K		
246 ⇔ 250	White 10: 8500 K		
251 ⇔ 255	White 11: 10,000 K		
10	Dimmer	000 ⇔ 255	0~100%
11	Strobe	000 ⇔ 009	No function
		010 ⇔ 255	01~20 Hz
12	Control	000 ⇔ 019	No function
		020 ⇔ 039	Pan/tilt black activation
		040 ⇔ 059	Pan/tilt black deactivation
		060 ⇔ 079	Automatic fan speed
		080 ⇔ 099	Slow fan speed
		100 ⇔ 119	Normal fan speed
		120 ⇔ 139	High fan speed
		140 ⇔ 149	Auto program 1 (3 s activation delay)
		150 ⇔ 159	Auto program 2 (3 s activation delay)
		160 ⇔ 169	Test (3 s activation delay)
		170 ⇔ 179	Custom program (3 s activation delay)
		180 ⇔ 199	Sound mode active
		200 ⇔ 219	Reset (3 s activation delay)
		220 ⇔ 255	No function

Contact Us

World Headquarters

CHAUVET®

General Information

Address: 5200 NW 108th Avenue
Sunrise, FL 33351
Voice: (954) 929-1115
Fax: (954) 929-5560
Toll free: (800) 762-1084

Technical Support

Voice: (954) 929-1115 (Press 4)
Fax: (954) 756-8015
Email: tech@chauvetlighting.com

World Wide Web

www.chauvetlighting.com

United Kingdom and Ireland

CHAUVET® Europe Ltd.

General Information

Address: Unit 1C
Brookhill Road Industrial Estate
Pinxton, Nottingham, UK
NG16 6NT
Voice: +44 (0)1773 511115
Fax: +44 (0)1773 511110

Technical Support

Email: uktech@chauvetlighting.com

World Wide Web

www.chauvetlighting.co.uk

Q-Wash 260-LED QRG – Rev. 07

© Copyright 2011 CHAUVET®

All rights reserved.

Printed in the P. R. C.