

Programming For details on how to program this product, please refer to the product's user manual.

Password After being prompted to enter the password, press:
<UP>, <DOWN>, <UP>, <DOWN>, <ENTER>

Start Address To ensure full access to all channels in each DMX mode, the highest recommended DMX addresses are as follows:

Mode	Address	Mode	Address	Mode	Address
TOUR	503	AR1.D	509	HSV	510
ARC1	510	AR1.S	508	BLOC	507

Contact Us World Headquarters

General Information

CHAUVET®
5200 NW 108th Avenue
Sunrise, FL 33351
Voice: (954) 929-1115
Fax: (954) 929-5560
Toll free: (800) 762-1084

Technical Support

Voice: (954) 929-1115 (Press 4)
Fax: (954) 756-8015

World Wide Web

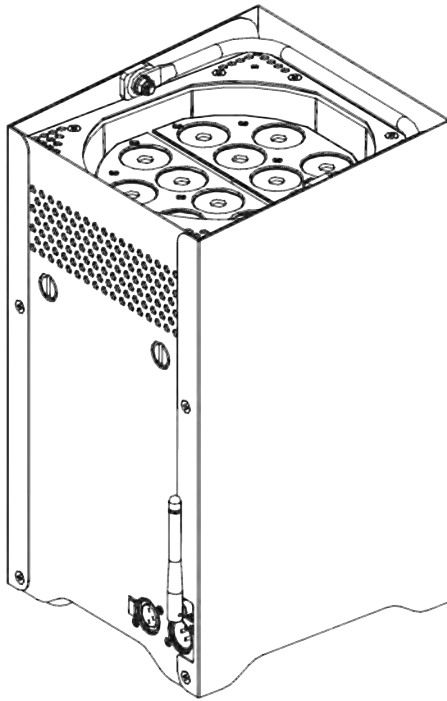
www.chauvetlighting.com

WELL QRG – Rev. 01g
© Copyright 2011 CHAUVET®
All rights reserved
Printed in the P. R. C.

WELL™

WIRELESS EVENT LED LUMINAIRE

Quick Reference Guide



CHAUVET®

It's Green Thinking

About this Guide

The WELL (Wireless Event LED Luminaire) Quick Reference Guide (QRG) only contains the product’s connection and mounting information as well as the menu options and the DMX values.

Disclaimer

- This Quick Reference Guide DOES NOT replace the product’s user manual, which you can download from the CHAUVET® Web site (www.chauvetlighting.com).
- You must read ALL the disclaimers and safety notes in this document as well as those in the product’s user manual before installing, operating, or maintaining this product.

Safety Notes

- DO NOT open this fixture unless instructed. It contains no user serviceable parts.
- DO NOT look at the light source when this fixture is on.
- DO NOT touch the fixture when it is operating because it could be hot.
- DO NOT cover the ventilation slots when the fixture is operating to avoid internal overheating.
- DO NOT install or operate this fixture where there is less than 50 cm to the nearest surface to allow adequate ventilation around it.
- DO NOT leave any flammable material within 50 cm from this fixture while operating or connected to the battery charger to minimize the risk of fire.
- DO NOT hang this fixture. This is a floor-standing fixture.
- DO NOT lift the unit by the housing. Use the handle instead.
- DO NOT submerge this product or subject it to water jets (IP44). Regular outdoor operation under light rain or splashing water is fine.
- DO NOT operate this fixture if you see damage on the housing, lenses, or cables. In any of these cases, have the damaged parts replaced by an authorized technician at once.
- DO NOT connect this fixture’s battery charger to a dimmer or rheostat.
- ONLY connect this fixture’s battery charger to a grounded and protected circuit.
- DO NOT charge the battery where there is less than 1 m to the nearest open flame or hot surface (lamp, heater, etc.).
- DO NOT close the flight case/charger’s cover during charging.

What is Included (Single Unit)

- One WELL fixture
- One battery charger
- One Warranty Card
- One Quick Reference Guide

What is Included (Six-unit Set)

- Six WELL fixtures
- One six-bay flight case with built-in battery charger
- One Warranty Card
- One Quick Reference Guide

- Features**
- 3, 4, 5, 6, or 12-channel tri-color RGB LED wash light
 - Operating modes
 - 3-channel: Hue, saturation, value control (HSV)
 - 3-channel: RGB control (ARC.1)
 - 4-channel: RGB, dimmer (AR1.D)
 - 5-channel: RGB, dimmer, strobe (AR1.S)
 - 6-channel: RGB control of each module (BLOCK)
 - 12-channel: RGB control of each module, dimmer, color macro, strobe, auto/custom, auto speed, dimmer speed (TOUR)
 - Tri-color LEDs
 - Five distinct dimming curves
 - 3-pin DMX input and output connectors
 - Wireless DMX receiver built in
 - LED display with password protection
 - Split LED panel for individual focusing
 - 12-hour battery life
 - Movable foot on base of fixture for added positioning options
 - Color calibration
 - RGB color mixing with or without DMX control
 - Color temperature presets (3,200~10,000 K)
 - Built-in automated programs via DMX
 - Customizable programs
 - Recall custom and auto programs via DMX
- Options**
- Six-bay flight case/battery charger
 - W-DMX (Wireless DMX) transmitter

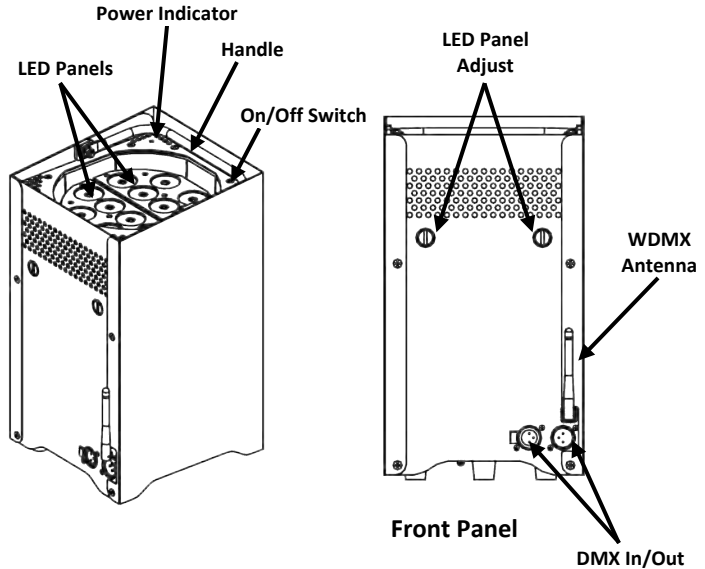
Product Description

The WELL (Wireless Event LED Luminaire) is a battery operated LED wash light. It has an internal 12 V gel battery, which provides up to 12 hours of run time.

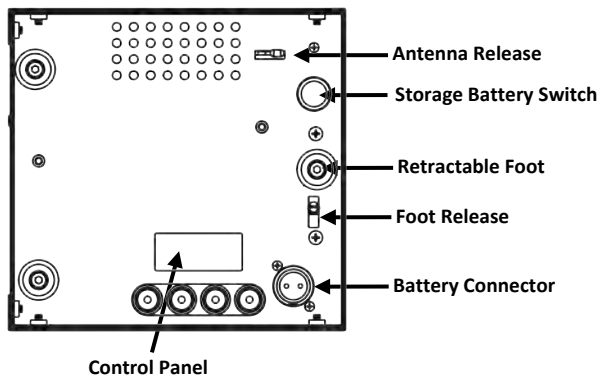
When bought as a single unit, it comes with an external battery charger.

When bought as a 6-piece set, they come with a flight case that has six storage bays and a built-in charger. Each storage bay has its own battery charging connector. This allows all six WELL units to be recharged simultaneously while in the flight case.

Product Overview



Bottom Panel



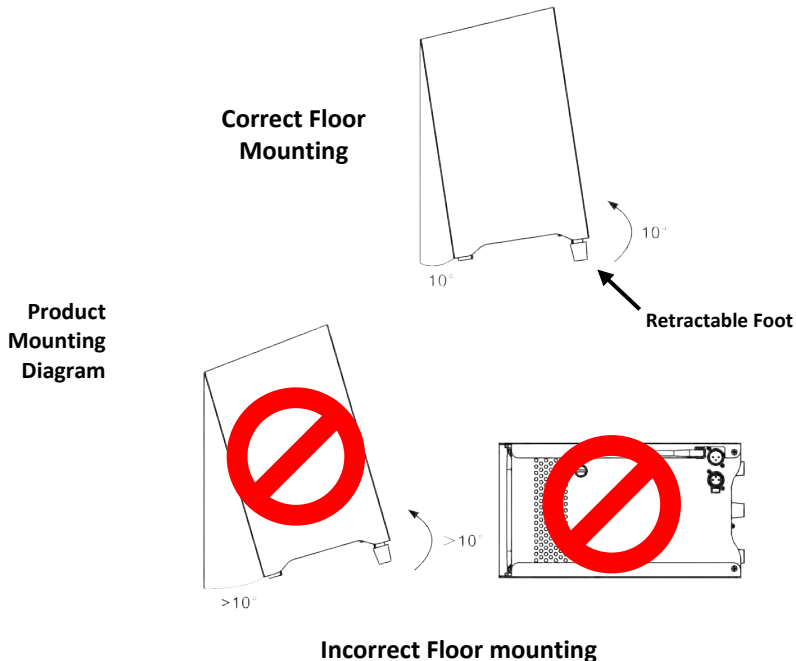
AC Power This product uses a battery charger (individual or in the flight case) that can work with an input voltage range of 100~240 VAC, 50/60 Hz.

Fuse The stand-alone battery charger has no external fuse. However, the flight case/charger comes with a replaceable fuse (T 6.3 A @ 250 V).

To change the fuse on the flight case/charger, do the following:

- 1) Disconnect the fixture from the power outlet.
- 2) With a Phillips #2 head screwdriver, unscrew the fuse holder cap from its housing.
- 3) Remove the blown fuse and replace it with a good fuse of the same type and rating (F 3.15 A @ 250 V).
- 4) Screw the fuse holder cap back in its place and reconnect power.

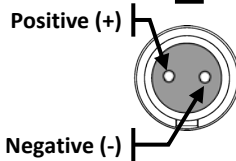
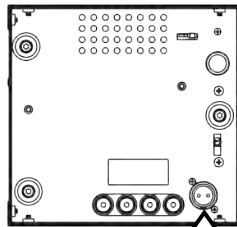
Mounting Before mounting this product, read the safety notes at the beginning of this guide and on page 2 of the product's user manual. Then, follow the mounting procedure indicated in the *Setup* chapter of the user manual.



- Storage Notes**
- Always store the unit in an upright position ($\leq 10^\circ$ tilt).
 - Recharge the battery to full capacity before storing the unit.
 - Store charged unit(s) in a dry environment, away from direct sunlight.
 - Turn the battery switch off if storing the unit for more than seven days.

Battery Charge Notes

- Make sure to turn the battery storage switch on before connecting the unit to the charger.
- Always use the supplied charger to recharge the built-in battery.
- Recharge the battery within three days of last use.
- Recharge the battery to full capacity before storing this product.
- For best results, charge the battery in a temperature between 32° F (0° C) and 95° F (35° C).
- When charging the battery, keep the unit at no less than 1 m from any open flame or hot plate.
- When charging the battery inside the flight case/charger, keep the flight case's cover open.
- Always charge the battery with the unit in an upright position.
- Do not keep charging the battery for more than 24 hours.
- Perform a full discharge/recharge cycle every three months.
- During charging, the green power indicator LED will illuminate solid, regardless of the level of charge of the battery.
- Once fully charged, while still connected to the battery charger, the green power indicator LED will turn off.



POWER IN



FUSE
T 6.3 A @ 250 V



Flight Case/Charger
Power Input Panel

Connection Warnings

- DO NOT plug a DMX cable to the battery connector or the stand-alone battery charger.
- DO NOT plug the stand-alone battery charger to a DMX connector..

- Operation Notes**
- Always operate the unit in an upright position.
 - Never tilt the unit more than 10°.
 - Only use the retractable foot to tilt the unit.
 - Do not operate the unit in a sealed enclosure or in an area without air circulation.

- Turn Unit ON**
- Turn the battery storage switch on
 - Push the On/Off switch on the top for more than three seconds (the built-in red LED will illuminate solid).
 - When not connected to the battery charger, the power status LED indicates the amount of remaining battery charge, as follows:
 - Green: >70 % (100~70% charge)
 - Yellow: >20 % (69~21 % charge)
 - Red: Empty (20~0 % charge)

- Turn Unit OFF**
- Push the On/Off switch on the top for more than three seconds.
 - If storing the unit for more than seven days after recharging it, also turn the battery storage switch off.

- Tilt Angle**
- Place the fixture on a flat, sturdy surface.
 - Release the extensible foot by shifting the foot release lever.
 - Keep the lever shifted to adjust the angle and release the lever.
 - Do not allow the unit to tilt further than 10°.

- LEDs Angle**
- Use the screws on the unit's front panel to adjust the angle of the LED panels.
 - The screw on the left adjusts the rear LED panel.
 - The screw on the right adjusts the front LED panel.

Control Panel Description

Button	Function
<MENU>	Exits from the current menu or function
<SET>	Enables the currently displayed menu or sets the currently selected value into the selected function
<UP>	Navigates upwards through the menu list and increases the numeric value when in a function
<DOWN>	Navigates downwards through the menu list and decreases the numeric value when in a function

Programming For details on how to program this product, please refer to the product's user manual.

Password After being prompted to enter the password, press:
<UP>, <DOWN>, <UP>, <DOWN>, <ENTER>.

Menu Options

Main Level	Programming Levels		Description		
STAT	<i>RED</i>	000~255	Combines Red, Green, and Blue to generate a custom color		
	<i>GREN</i>				
	<i>BLUE</i>				
	<i>STRB</i>	00~20	Strobe frequency 0~20 Hz		
AUTO	AT.01~10		Choose from 10 automatic programs		
	PR.01~10		Choose from 10 customizable programs		
ADDR	001~512		Sets the DMX starting address		
RUN	DMX		Fixture operates with a DMX controller		
	SLAV		Fixture operates with a Master unit		
PERS	TOUR		12 chan. (RGB, D, DS, A/C, AS, S, B)		
	ARC.1		3 channel (RGB)		
	AR1.D		4 channel (RGB, D)		
	AR1.S		5 channel (RGB, D, S)		
	HSV		3 channel (HSV)		
	BLOC		6 channel (RGB Module 1 & 2)		
SET	<i>UPLD</i>	Enter password	Transfers custom programs		
	<i>REST</i>		Defaults fixture		
	<i>DIM</i>	OFF	No dimmer		
		DIM1~DIM4	Dimmer curve		
	<i>COLO</i>	OFF	RGB set to "255"= max. output		
		RGBW	RGB set to "255" = balanced white		
		UC	Universal color balance		
	<i>LIFE</i>	LONG	Long run time (approx. 12 hours)		
NORM		Normal run time (approx. 10 hours)			
EDIT	PR.01~10	SC.01~30	<i>RED</i>	000~255	Combines Red, Green, and Blue, as well as strobe and timers to create the scenes of a custom program
			<i>GREN</i>		
			<i>BLUE</i>		
			<i>STRB</i>	00~20	
			<i>TIME</i>	000~255	
			<i>FADE</i>		
CAL1	WH.01~11	<i>RED</i>	000~255	Modifies the white colors used in channel 8 of the TOUR personality	
		<i>GREN</i>			
		<i>BLUE</i>			
CAL2	RGB.W	<i>RED</i>	000~255	Defines the color temperature used when COLOR is set to RGBW	
		<i>GREN</i>			
		<i>BLUE</i>			
WDMX	<i>ACTI</i>	ON/OFF	Activates/deactivates WDMX receiver		
	<i>REST</i>	NO/YES	Resets receiver to pair with transmitter		
KEY	ON/OFF		Turns the password on or off		

DMX Values

<i>TOUR</i>	Channel	Function	Value	Percent/Setting
	1	Master Dimmer	000 ◊ 255	0~100%
	2	Module 1 Red	000 ◊ 255	0~100%
	3	Module 1 Green	000 ◊ 255	0~100%
	4	Module 1 Blue	000 ◊ 255	0~100%
	5	Module 2 Red	000 ◊ 255	0~100%
	6	Module 2 Green	000 ◊ 255	0~100%
	7	Module 2 Blue	000 ◊ 255	0~100%
	8	Color Macro + White Balance	000 ◊ 010	No function
			011 ◊ 030	R: 100% G: Up B: 0%
			031 ◊ 050	R: Down G: 100% B: 0%
			051 ◊ 070	R: 0% G: 100% B: Up
			071 ◊ 090	R: 0% G: Down B: 100%
			091 ◊ 110	R: Up G: 0% B: 100%
			111 ◊ 130	R: 100% G: 0% B: Down
			131 ◊ 150	R: 100% G: Up B: Up
			151 ◊ 170	R: Down G: Down B: 100%
			171 ◊ 200	R: 100% G: 100% B: 100% W: 100%
			201 ◊ 205	White 1: 3200 K
			206 ◊ 210	White 2: 3400 K
			211 ◊ 215	White 3: 4200 K
			216 ◊ 220	White 4: 4900 K
			221 ◊ 225	White 5: 5600 K
			226 ◊ 230	White 6: 5900 K
			231 ◊ 235	White 7: 6500 K
	236 ◊ 240	White 8: 7200 K		
	241 ◊ 245	White 9: 8000 K		
	246 ◊ 250	White 10: 8500 K		
	251 ◊ 255	White 11: 10,000 K		
	9	Strobe	000 ◊ 010	No Function
			011 ◊ 255	1~20 Hz
	10	Auto + Custom Programs	000 ◊ 040	No function
			041 ◊ 050	Auto 1
			051 ◊ 060	Auto 2
			061 ◊ 070	Auto 3
			071 ◊ 080	Auto 4
			081 ◊ 090	Auto 5
			091 ◊ 100	Auto 6
			101 ◊ 110	Auto 7
			111 ◊ 120	Auto 8
			121 ◊ 130	Auto 9
			131 ◊ 140	Auto 10
			141 ◊ 150	Custom 1
			151 ◊ 160	Custom 2
			161 ◊ 170	Custom 3
			171 ◊ 180	Custom 4
			181 ◊ 190	Custom 5
			191 ◊ 200	Custom 6
	201 ◊ 210	Custom 7		
	211 ◊ 220	Custom 8		
	221 ◊ 230	Custom 9		
	231 ◊ 255	Custom 10		

Continues on the next page

Continued from previous page

TOUR (Cont.)	Channel	Function	Value	Percent/Setting
	11	Auto Speed	000 ∘ 255	0~100% (Only if AUTO 01~10 playing)
	12	Dimmer Speed	000 ∘ 009 010 ∘ 029 030 ∘ 069 070 ∘ 129 130 ∘ 189 190 ∘ 255	Preset dimmer speed from display menu Linear dimmer Nonlinear dimming curve 1 (fastest) Nonlinear dimming curve 2 Nonlinear dimming curve 3 Nonlinear dimming curve 4 (slowest)

ARC.1	Channel	Function	Value	Percent/Setting
	1	Red	000 ∘ 255	0~100%
	2	Green	000 ∘ 255	0~100%
	3	Blue	000 ∘ 255	0~100%

AR1.D	Channel	Function	Value	Percent/Setting
	1	Master Dimmer	000 ∘ 255	0~100%
	2	Red	000 ∘ 255	0~100%
	3	Green	000 ∘ 255	0~100%
	4	Blue	000 ∘ 255	0~100%

AR1.S	Channel	Function	Value	Percent/Setting
	1	Master Dimmer	000 ∘ 255	0~100%
	2	Red	000 ∘ 255	0~100%
	3	Green	000 ∘ 255	0~100%
	4	Blue	000 ∘ 255	0~100%
	5	Strobe	000 ∘ 010 011 ∘ 255	No Function 1~20 Hz

HSV	Channel	Function	Value	Percent/Setting
	1	Hue	000 ∘ 255	0~100%
	2	Saturation	000 ∘ 255	0~100%
	3	Value	000 ∘ 255	0~100%

BLOC	Channel	Function	Value	Percent/Setting
	1	Module 1 Red	000 ∘ 255	0~100%
	2	Module 1 Green	000 ∘ 255	0~100%
	3	Module 1 Blue	000 ∘ 255	0~100%
	4	Module 2 Red	000 ∘ 255	0~100%
	5	Module 2 Green	000 ∘ 255	0~100%
	6	Module 2 Blue	000 ∘ 255	0~100%

Wireless Operation

The WELL unit can operate in W-DMX mode up to 300 m (900 feet) from the W-DMX transmitter. The W-DMX receiver in the WELL unit must be paired with the W-DMX transmitter for wireless operation.

Initial Setup

- 1) Turn the W-DMX transmitter on.
- 2) Connect the W-DMX transmitter to a DMX controller.
- 3) Place the WELL unit within 300 m from the W-DMX transmitter.
- 4) Disconnect any DMX cable from the WELL unit.
- 5) Push the antenna release to allow the W-DMX antenna to extend outside the metal housing.
- 6) Set the antenna in the upright position.
- 7) Turn the WELL unit on.

Configuration

- 1) From the WELL's control panel, go to **RUN > DMX**.
- 2) Select the start address, as with any other DMX compatible product.
- 3) Go to **WDMX > ACTI**.
- 4) Select **ON**.

Fixture Pairing

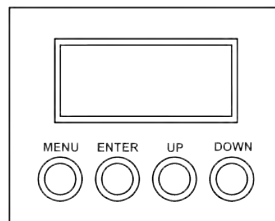
Fixture Already Paired

- 1) If the WELL unit has already been paired with the WDMX transmitter, the red LED on the On/Off switch will flash slowly.
- 2) In this case, the WELL unit is ready to work in wireless mode.

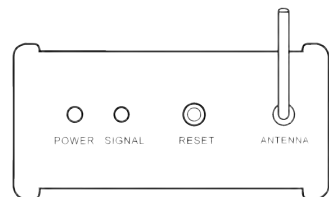
Pairing the WELL Unit and a new W-DMX Transmitter

- 1) From the WELL's control panel, go to **WDMX > REST**.
- 2) Select **YES** (the red LED on the On/Off switch will illuminate solid).
- 3) From the W-DMX transmitter, press **<RESET>** (the **SIGNAL** indicator will flash).
- 4) Once the transmitter has found the WELL fixture, the **SIGNAL** indicator on the W-DMX transmitter will illuminate solid.
- 5) The red LED on the On/Off switch will flash slowly indicating the presence of DMX signal.

WDMX Setup



Control Panel



WDMX Transmitter