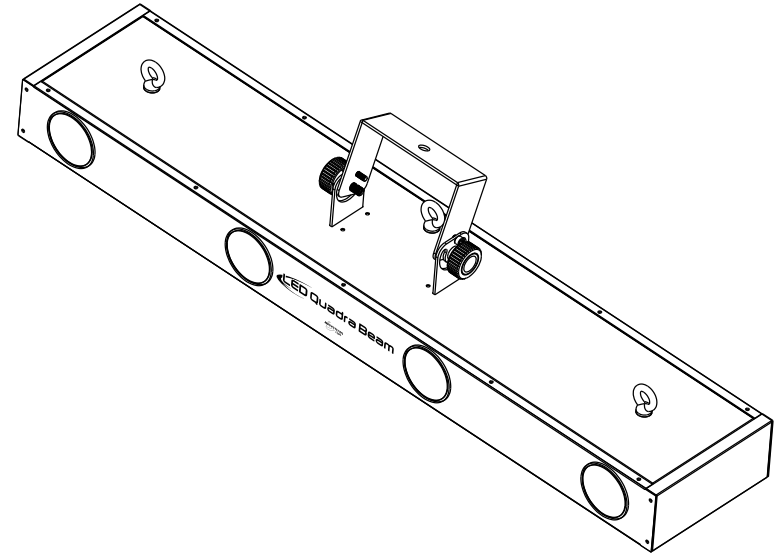


# LED Quadra Beam



Operation Manual EN  
Mode d'emploi FR  
Gebruiksaanwijzing NL  
Bedienungsanleitung DE  
Manual de instrucciones ES  
Manual do utilizador PT

**WWW.BEGLEC.COM**

Copyright © 2009 by BEGLEC comm.v.a.  
† Hofveld 2 - B1702 Groot-Bijgaarden - Belgium

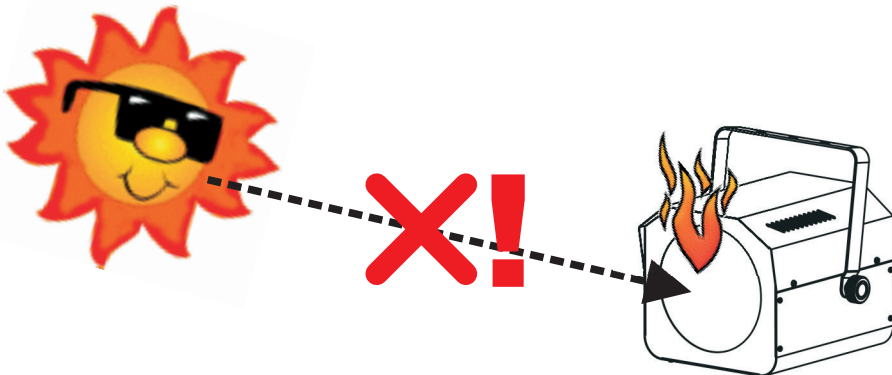
Reproduction or publication of the content in any manner, without express permission of the publisher, is prohibited.



Version: 1.1



# DANGER ~ GEVAAR ~ GEFAHR ~ PELIGRO ~ PERIGO



**WARNING: DANGER!** never expose the lens to direct sunlight, even for a short period. This may damage the light effect or even cause fire!

**ATTENTION: DANGER!** n'exposez jamais la lentille directement aux rayons de soleil, même pendant un bref instant. Ceci peut endommager l'intérieur de l'appareil ou même causer un incendie !

**OPGELET : GEVAAR !** stel de lens nooit bloot aan direct zonlicht, zelfs gedurende een korte periode. Dit kan het toestel beschadigen en zelfs brand veroorzaken!

**WARNUNG: GEFAHR!** Setzen sie die Linse niemals direkter Sonneneinstrahlung aus, auch nicht für eine kurze Zeit ! Die direkte Sonneneinstrahlung kann das Gerät zerstören oder zum brennen bringen!

**ADVERTENCIA: ¡PELIGRO!** ¡nunca exponga la lente a la luz solar directa, aún durante un período corto! ¡Esto puede dañar el efecto de luz o incluso causar el fuego!

**AVISO: PERIGO!** Nunca exponha as lentes directamente à luz solar, mesmo que por pouco tempo! Isto pode danificar o efeito luminoso ou mesmo provocar um incêndio!

---

## EN - DISPOSAL OF THE DEVICE

Dispose of the unit and used batteries in an environment friendly manner according to your country regulations.

## FR - DÉCLASSER L'APPAREIL

Débarrassez-vous de l'appareil et des piles usagées de manière écologique, conformément aux dispositions légales de votre pays.

## NL - VERWIJDEREN VAN HET APPARAAT

Verwijder het toestel en de gebruikte batterijen op een milieuvriendelijke manier conform de in uw land geldende voorschriften.

## DU - ENTSORGUNG DES GERÄTS

Entsorgen Sie das Gerät und die Batterien auf umweltfreundliche Art und Weise gemäß den Vorschriften Ihres Landes.

## ES - DESHACERSE DEL APARATO

Reciclar el aparato y pilas usadas de forma ecologica conforme a las disposiciones legales de su país.

## PT - COMO DESFAZER-SE DA UNIDADE

Tente reciclar a unidade e as pilhas usadas respeitando o ambiente e em conformidade com as normas vigentes no seu país.



# OPERATION MANUAL

Thank you for buying this JB Systems® product. To take full advantage of all possibilities and for your own safety, please read these operating instructions very carefully before you start using this unit.

## FEATURES

This unit is radio-interference suppressed. This product meets the requirements of the current European and national guidelines. Conformity has been established and the relevant statements and documents have been deposited by the manufacturer.

- This device was designed to produce decorative effect lighting and is used in light show systems.
- Very dynamic LED scanning effect with powerful beams
- Based on 4 LED clusters with 256 power LEDs (R=96 + G=96 + B=64):
  - Extremely brilliant colors compared to effects with halogen lamps
  - Very sharp blue, red and green laser-like beams
  - No lamp replacements!
  - Virtually no heat production and very low power consumption
- 0-100% dimming and ultra fast strobe function
- Excellent built-in programs for wonderful, ever changing, light shows:
  - DMX-control: 1channel for easy operation or 6 channels for full control of the 4 LED clusters
  - Standalone: sound activated with internal mic
  - Master/slave: wonderful synchronized shows
  - Optional CA-8 remote controller available
- Mains IEC in/outputs for easy linking using optional IEC cables
- Perfect for different applications: discos, clubs, mobile DJs, ...

## BEFORE USE

- Before you start using this unit, please check if there's no transportation damage. Should there be any, do not use the device and consult your dealer first.
- **Important:** This device left our factory in perfect condition and well packaged. It is absolutely necessary for the user to strictly follow the safety instructions and warnings in this user manual. Any damage caused by mishandling is not subject to warranty. The dealer will not accept responsibility for any resulting defects or problems caused by disregarding this user manual.
- Keep this booklet in a safe place for future consultation. If you sell the fixture, be sure to add this user manual.

### Check the contents:

Check that the carton contains the following items:

- Operating instructions
- LED QUADRA BEAM unit
- Mains cable

## SAFETY INSTRUCTIONS:



**CAUTION**  
RISK OF ELECTRIC SHOCK  
DO NOT OPEN



**CAUTION:** To reduce the risk of electric shock, do not remove the top cover. No user-serviceable parts inside. Refer servicing to qualified service personnel only.



The lightning flash with arrowhead symbol within the equilateral triangle is intended to alert the user or the presence of un-insulated "dangerous voltage" within the product's enclosure that may be of sufficient magnitude to constitute a risk of electric shock.



The exclamation point within the equilateral triangle is intended to alert the user to the presence of important operation and maintenance (servicing) instructions in the literature accompanying this appliance.



This symbol means: indoor use only



This symbol means: Read instructions



This symbol means: Safety Class I appliance



This symbol determines: the minimum distance from lighted objects. The minimum distance between light-output and the illuminated surface must be more than 0,5 meters

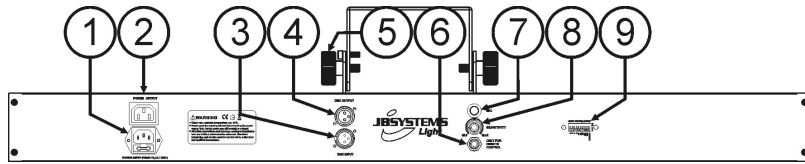


The device is suitable for mounting on standard flammable surfaces. Standard flammable surfaces include building materials such as wood and wood-based materials more than 2mm thick.

- To protect the environment, please try to recycle the packing material as much as possible.
- To prevent fire or shock hazard, do not expose this appliance to rain or moisture.
- To avoid condensation to be formed inside, allow the unit to adapt to the surrounding temperatures when bringing it into a warm room after transport. Condense sometimes prevents the unit from working at full performance or may even cause damages.
- This unit is for indoor use only.
- Don't place metal objects or spill liquid inside the unit. Electric shock or malfunction may result. If a foreign object enters the unit, immediately disconnect the mains power.
- Locate the fixture in a well ventilated spot, away from any flammable materials and/or liquids. The fixture must be fixed at least 50cm from surrounding walls.
- Don't cover any ventilation openings as this may result in overheating.
- Prevent use in dusty environments and clean the unit regularly.
- Keep the unit away from children.
- Inexperienced persons should not operate this device.
- Maximum save ambient temperature is 40°C. Don't use this unit at higher ambient temperatures.
- Make sure the area below the installation place is free from unwanted persons during rigging, de-rigging and servicing.
- Always unplug the unit when it is not used for a longer time or before replacing the bulb or start servicing.
- The electrical installation should be carried out by qualified personal only, according to the regulations for electrical and mechanical safety in your country.
- Check that the available voltage is not higher than the one stated on the rear panel of the unit.
- The power cord should always be in perfect condition. Switch the unit immediately off when the power cord is squashed or damaged. It must be replaced by the manufacturer, its service agent or similarly qualified persons in order to avoid a hazard.
- Never let the power-cord come into contact with other cables!
- This fixture must be earthed in order to comply with safety regulations.
- Don't connect the unit to any dimmer pack.
- Always use an appropriate and certified safety cable when installing the unit.
- In order to prevent electric shock, do not open the cover. There are no user serviceable parts inside.
- **Never** repair a fuse or bypass the fuse holder. **Always** replace a damaged fuse with a fuse of the same type and electrical specifications!
- In the event of serious operating problems, stop using the fixture and contact your dealer immediately.
- The housing and the lenses must be replaced if they are visibly damaged.
- Please use the original packing when the device is to be transported.
- Due to safety reasons it is prohibited to make unauthorized modifications to the unit.

**Important:** Never look directly into the light source! Don't use the effect in the presence of persons suffering from epilepsy.

**DESCRIPTION:**



1. Mains input with IEC socket and integrated fuse holder, connect the supplied mains cable here.
2. Mains output with IEC socket: you can use a special IEC power cable to connect this output with the mains input of the next LED QUADRA BEAM for easier linking. (max 51 units can be linked)
3. DMX input: 3pin male XLR-connector used to connect universal DMX-cables. This input receives instructions from a DMX-controller or from another LED QUADRA BEAM in master/slave mode.
4. DMX output: 3pin female XLR-connector used to connect the LED QUADRA BEAM with the next unit in the DMX chain or with another LED QUADRA BEAM when used in master/slave mode.
5. Hanging bracket with 2 knobs on both sides to fasten the unit and a mounting hole to fix a mounting hook.
6. 1/4" Jack input for the optional CA-8 hand controller
7. Internal microphone
8. Sensitivity control for audio level.
9. DIP switches, to set the DMX-starting address.

**OVERHEAD RIGGING**

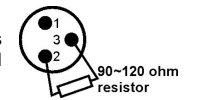
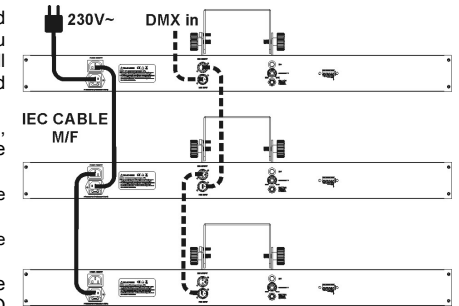
- **Important:** The installation must be carried out by qualified service personal only. Improper installation can result in serious injuries and/or damage to property. Overhead rigging requires extensive experience! Working load limits should be respected, certified installation materials should be used, the installed device should be inspected regularly for safety.
- Make sure the area below the installation place is free from unwanted persons during rigging, de-rigging and servicing.
- Locate the fixture in a well ventilated spot, far away from any flammable materials and/or liquids. The fixture must be fixed **at least 50cm** from surrounding walls.
- The device should be installed out of reach of people and outside areas where persons may walk by or be seated.
- Before rigging make sure that the installation area can hold a minimum point load of 10times the device's weight.
- Always use a certified safety cable that can hold 12times the weight of the device when installing the unit. This secondary safety attachment should be installed in a way that no part of the installation can drop more than 20cm if the main attachment fails.
- The device should be well fixed; a free-swinging mounting is dangerous and may not be considered!
- Don't cover any ventilation openings as this may result in overheating.
- The operator has to make sure that the safety-relating and machine-technical installations are approved by an expert before using them for the first time. The installations should be inspected every year by a skilled person to be sure that safety is still optimal.

**ELECTRICAL INSTALLATION + ADDRESSING**

**!** **Important:** The electrical installation should be carried out by qualified personal only, according to the regulations for electrical and mechanical safety in your country.

**Electrical installation in DMX-mode:**

- The DMX-protocol is a widely used high speed signal to control intelligent light equipment. You need to "daisy chain" your DMX controller and all the connected units with a good quality balanced cable.
- Both XLR-3pin and XLR-5pin connectors are used, however XLR-3pin is more popular because these cables are compatible with balanced audio cables. Pin layout XLR-3pin: Pin1 = GND ~ Pin2 = Negative signal (-) ~ Pin3 = Positive signal (+)  
Pin layout XLR-5pin: Pin1 = GND ~ Pin2 = Negative signal (-) ~ Pin3 = Positive signal (+) ~ Pins4+5 not used.
- To prevent strange behavior of the light effects, due to interferences, you must use a 90Ω to 120Ω terminator at the end of the chain. Never use Y-splitter cables, this simply won't work!
- Make sure that all units are connected to the mains.
- Each light effect in the chain needs to have its proper starting address so it knows which commands from the controller it has to decode. In the next section you will learn how to set the DMX addresses.



**How to set the DIP-switches to obtain the right starting address:**

Refer to the next chapter (DMX-512 address setting) to learn how to set the starting address on this unit. The start address of each unit is very important. Unfortunately it is impossible to tell you in this user manual which start addresses you have to set because this completely depends on the controller you will use... So please refer to the user manual of your DMX-controller to find out which starting addresses you must set.

**Example settings for different channel configurations:**

- **1 Channel mode:** 001 (unit1), 002 (unit2), 003 (unit3), ... → intervals of 1 channel
- **6 Channel mode:** 001 (unit1), 007 (unit2), 013 (unit3), ... → intervals of 6 channels

Each of the first 9 DIP-switches correspond to a certain DMX-value, DIP-switch 10 is used to switch between 1CH mode and 6CH mode:

DIP	#1	#2	#3	#4	#5	#6	#7	#8	#9	#10
Value	1	2	4	8	16	32	64	128	256	ON = 1CH mode OFF = 6CH mode

You can combine the values of these switches to become any starting address between 1 and 512:

- Begin address = 01 → switch 1=ON values: 1
- Begin address = 05 → switch 1+3=ON values: 1+4 = 5
- Begin address = 09 → switch 1+4=ON values: 1+8 = 9
- Begin address = 13 → switch 1+3+4=ON values: 1+4+8 = 13
- ...
- Begin address = 62 → switch 2+3+4+5+6=ON values: 2+4+8+16+32 = 62

**HOW TO OPERATE THE UNIT**

**1. Standalone 1unit:**

**Important:** The DMX address **MUST** be set to 000.

Just connect the unit to the mains. The unit will start working automatically to the rhythm of the music. When you switch also dip switch 10 ON, the unit will start working automatically at preprogrammed speed.

**2. Two or more units in master/slave setup:**

Connect 2 or more units together using good quality balanced XLR microphone cables. The unit that has no cable connected to its input will react as master, the others are the slave units.

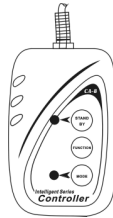
**Important:** On the master unit the DMX address **MUST** be set to 000.

Set DMX address of slave unit 1 to 001

You can inverse the behavior of one or more slave units by changing the position of DIP-switch n°10 on these slaves. Just try it and see if the effect becomes better.

**3. Connect the optional CA-8 controller for more control:**

The CA-8 controller can only be used in standalone or master/slave mode. Connect the controller to the jack input of the first unit (master). Now you can control all the connected units:



<b>Stand by</b>	Blackout the unit	
<b>Function</b>	1. Synchronous Strobe	Select a show
	2. Sound Strobe	
	3. Two light Strobe	
<b>Mode</b>	Strobe (LED OFF)	Show (LED ON)

**4. DMX-mode:**

When the units are connected in DMX-mode, they can be controlled using the following DMX-chart:

**Two DMX-modes are available: 1CH and 6CH mode:**

**1 channel mode:**

Extremely user friendly mode: you only need 1 DMX channel to choose 1 of the 12 preprogrammed sound chases or you can use our Effect commander to switch the unit ON/OFF (no switch pack needed).

**6 channel mode:**

You can take full control of all pre-programmed functions of the effect.

- Channel 1: switch the unit on/off and select one of the 25 chases.
- Channel 2: Control for the strobe function.
- Channel 3: Control the output for the red LEDs.
- Channel 4: Control the output for the green LEDs.
- Channel 5: Control the output for the blue LEDs.
- Channel 6: Control the output for the general dimmer.

**1 CHANNEL MODE**

**6 CHANNEL MODE**

Ch1	Ch1	Ch2	Ch3	Ch4	Ch5	Ch6
Chase	Chase	Strobe	Red	Green	Blue	Dimmer
250-255 Random Chase	250-255 Random Chase					
230-249 Chase 11	240-249 Chase 24					
210-229 Chase 10	230-239 Chase 23					
190-209 Chase 9	220-229 Chase 22					
170-189 Chase 8	210-219 Chase 21					
150-169 Chase 7	200-209 Chase 20					
130-149 Chase 6	190-199 Chase 19					
110-129 Chase 5	180-189 Chase 18					
090-109 Chase 4	170-179 Chase 17					
070-089 Chase 3	160-169 Chase 16					
050-069 Chase 2	150-159 Chase 15					
030-049 Chase 1	140-149 Chase 14					
000-029 OFF	130-139 Chase 13					
	120-129 Chase 12					
	110-119 Chase 11					
	100-109 Chase 10					
	090-099 Chase 9					
	080-089 Chase 8					
	070-079 Chase 7					
	060-069 Chase 6					
	050-059 Chase 5					
	040-049 Chase 4					
	030-039 Chase 3					
	020-029 Chase 2					
	010-019 Chase 1					
	000-009 Function					

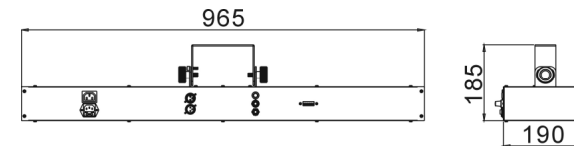
**MAINTENANCE**

- Make sure the area below the installation place is free from unwanted persons during servicing.
- Switch off the unit, unplug the mains cable and wait until the unit has been cooled down.
- **During inspection the following points should be checked:**
- All screws used for installing the device and any of its parts should be tightly fastened and may not be corroded.
- Housings, fixations and installations spots (ceiling, truss, suspensions) should be totally free from any deformation.
- When an optical lens is visibly damaged due to cracks or deep scratches, it must be replaced.
- The mains cables must be in impeccable condition and should be replaced immediately when even a small problem is detected.
- In order to protect the device from overheat the cooling fans (if any) and ventilation openings should be cleaned monthly.
- The interior of the device should be cleaned annually using a vacuum cleaner or air-jet.
- The cleaning of internal and external optical lenses and/or mirrors must be carried out periodically to optimize light output. Cleaning frequency depends on the environment in which the fixture operates: damp, smoky or particularly dirty surroundings can cause greater accumulation of dirt on the unit's optics.
  - Clean with a soft cloth using normal glass cleaning products.
  - Always dry the parts carefully.
  - Clean the external optics at least once every 30 days.
  - Clean the internal optics at least every 90 days.

**Attention:** We strongly recommend internal cleaning to be carried out by qualified personnel!

**SPECIFICATIONS**

<b>Mains Input:</b>	AC 100V to 240V, 50/60Hz
<b>Power consumption:</b>	12 Watt
<b>Fuse:</b>	250V 6,3A slow blow (20mm glass)
<b>Sound Control:</b>	Internal microphone
<b>DMX connections:</b>	3pin XLR male / female
<b>DMX channels used:</b>	1 or 6 channels
<b>Lamp:</b>	256 LEDs (R96 + G96 + B64)
<b>Size:</b>	965 x 190 x 82cm
<b>Weight:</b>	6,4kg



Every information is subject to change without prior notice  
 You can download the latest version of this user manual on our website: [www.beglec.com](http://www.beglec.com)

# MODE D'EMPLOI

Merci d'avoir choisi ce produit JB Systems®. Pour votre sécurité et pour une utilisation optimale de toutes les possibilités de l'appareil, lisez attentivement cette notice avant utilisation.

**EN VOUS INSCRIVANT POUR LA LETTRE D'INFORMATION VOUS SEREZ TOUJOURS TENU AU COURANT DES DERNIÈRES NOUVELLES CONCERNANT NOS PRODUITS: NOUVEAUTÉS, ACTIONS SPÉCIALES, JOURNÉES PORTES OUVERTES, ETC.**  
**→ SURFEZ SUR: [WWW.BEGLEC.COM](http://WWW.BEGLEC.COM) ←**

## CARACTERISTIQUES

Cet appareil ne produit pas d'interférences radio. Il répond aux exigences nationales et européennes. La conformité a été établie et les déclarations et documents correspondants ont été déposés par le fabricant.

- Cet appareil a été conçu pour la production de jeux de lumières décoratifs et est utilisé dans des spectacles lumineux.
- Effet de scanning LED extrêmement dynamique, doté de rayons très puissants.
- Appareil basé sur 256 LED de puissance qui sont réparties en 4 clusters (96 rouges, 96 vertes et 64 bleues) :
  - Couleurs extrêmement brillantes comparées aux effets fonctionnant avec des lampes halogènes ;
  - Faisceaux bleus, rouges et verts extrêmement denses, un peu comme des rayons lasers ;
  - Pas de lampes à remplacer !
  - Pratiquement aucune production de chaleur et très basse consommation.
- Fonction gradateur allant de 0 à 100 % et fonction stroboscope ultrarapide.
- Excellents programmes intégrés donnant lieu à de splendides light shows qui changent sans arrêt :
  - Contrôle via DMX : Fonctionnement aisé via un seul canal, ou au contraire, via 6 canaux pour un contrôle total des 4 clusters de LED ;
  - Mode autonome : activation sonore via micro interne ;
  - Mode maître/esclave : magnifiques shows synchronisés ;
  - En option, une télécommande CA-8 est disponible.
- Entrées et sorties d'alimentation secteur au standard IEC permettant un raccordement facile entre plusieurs appareils via des câbles IEC en option.
- Idéal pour toutes sortes d'applications : discothèques, clubs, DJ itinérants, ...

## AVANT UTILISATION

- Avant d'utiliser cet appareil, assurez-vous de l'absence de dommages liés au transport. En cas de dommages, n'utilisez pas l'appareil et contactez le vendeur.
- **Important:** Cet appareil a quitté notre usine en parfaite condition et bien emballé. Il est primordial que l'utilisateur suive les instructions de sécurité et avertissements inclus dans ce manuel. La garantie ne s'applique pas en cas de dommage lié à une utilisation incorrecte. Le vendeur ne prend pas la responsabilité des défauts ou de tout problème résultant du fait de n'avoir pas tenu compte des mises en garde de ce manuel.
- Conservez ce manuel dans un endroit sûr pour toute consultation future. Si vous vendez l'appareil, assurez-vous d'y joindre ce manuel également.
- Afin de protéger l'environnement, merci de recycler les emballages autant que possible.

### Vérifiez le contenu:

Vérifiez si l'emballage contient bien les articles suivants:

- Appareil LED QUADRA BEAM
- Câble d'alimentation
- Mode d'emploi

## INSTRUCTIONS DE SECURITE:



**CAUTION**  
RISK OF ELECTRIC SHOCK  
DO NOT OPEN



**ATTENTION:** afin de réduire le risque d'électrocution, n'enlevez jamais le couvercle de l'appareil. Il n'y a aucune pièce à l'intérieur de l'appareil que vous puissiez remplacer vous-même. Confiez l'entretien uniquement à des techniciens qualifiés.



La flèche dans un triangle met l'utilisateur en garde contre la présence de haute tension sans isolation dans l'appareil, ce qui peut causer un risque d'électrocution.



Un point d'exclamation dans un triangle prévient de la présence d'instructions relatives au fonctionnement et à la maintenance se trouvant dans le manuel fourni avec l'appareil.



Ce symbole signifie: uniquement pour usage à l'intérieur.



Ce symbole signifie : Lire le mode d'emploi.



Ce symbole signifie: appareil construit selon les normes de sécurité classe I

Ce symbole représente la distance de recul minimum à respecter, c'est-à-dire, la distance minimum entre le projecteur et la surface à éclairer. Cette distance doit être de plus de 0,5 mètres.



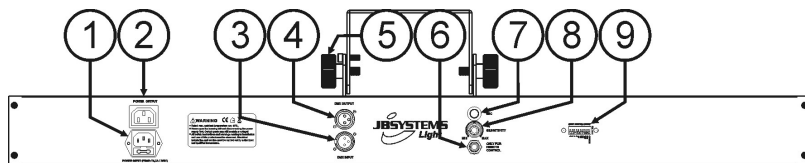
Cet appareil peut être monté sur des surfaces inflammables courantes. Font partie de ces surfaces inflammables courantes, les matériaux de construction tels que le bois et des matériaux à base de bois d'une épaisseur supérieure à 2 mm.

- Afin de protéger l'environnement, merci de recycler les emballages autant que possible.
- Afin d'éviter tout risque d'incendie ou de décharge électrique, ne pas exposer cet appareil à la pluie ou à l'humidité.
- Pour éviter la formation de condensation à l'intérieur de l'appareil, patientez quelques minutes pour laisser l'appareil s'adapter à la température ambiante lorsqu'il arrive dans une pièce chauffée après le transport. La condensation empêche l'appareil de fonctionner manière optimale, et elle peut même causer des dommages.
- Cet appareil est destiné à une utilisation à l'intérieur uniquement.
- Ne pas insérer d'objet métallique ou renverser de liquide dans l'appareil. Aucun objet contenant un liquide, tels que des vases, ne peut être placé sur cet appareil. Cela risquerait de provoquer une décharge électrique ou un dysfonctionnement. Si un corps étranger est introduit dans l'appareil, déconnectez immédiatement de la source d'alimentation.
- Aucune source de flamme nue, telle que des bougies allumées, ne peut être placée sur l'appareil.
- Placez l'appareil dans un endroit bien ventilé, éloigné de tout matériau ou liquide inflammable. L'appareil doit être fixé à 50cm minimum des murs.
- Ne pas couvrir les orifices de ventilation, un risque de surchauffe en résulterait.
- Ne pas utiliser l'appareil dans un environnement poussiéreux et le nettoyer régulièrement.
- Ne pas laisser l'appareil à portée des enfants.
- Les personnes non expérimentées ne doivent pas utiliser cet appareil.
- La température ambiante maximale d'utilisation de l'appareil est de 40°C. Ne pas l'utiliser au-delà de cette température.
- Assurez-vous que la zone au-dessous du lieu d'installation ne comporte pas de personnes non concernées pendant le montage, le démontage et les opérations de maintenance.
- Débranchez toujours l'appareil si vous ne l'utilisez pas de manière prolongée ou avant d'entreprendre des réparations.
- Les installations électriques ne peuvent être faites que par du personnel qualifié et conformément aux règlements de sécurité électrique et mécanique en vigueur dans votre pays.
- Assurez-vous que la tension d'alimentation de la source d'alimentation de la zone dans laquelle vous vous trouvez ne dépasse pas celle indiquée à l'arrière de l'appareil.
- Le cordon d'alimentation doit toujours être en parfait état. Mettez immédiatement l'unité hors tension si le cordon devait être écrasé ou endommagé. Pour éviter tout risque de choc électrique, le cordon doit être remplacé par le constructeur, son agent ou un technicien qualifié.
- Ne laissez jamais le cordon d'alimentation entrer en contact avec d'autres câbles !

- L'appareil doit être à la masse selon les règles de sécurité.
- Ne pas connecter l'unité à un variateur de lumière.
- Utilisez toujours des câbles appropriés et certifiés lorsque vous installez l'appareil.
- Pour éviter toute décharge électrique, ne pas ouvrir l'appareil. Il n'y a pas de pièces pouvant être changées par l'utilisateur à l'intérieur.
- **Ne jamais** réparer ou court-circuiter un fusible. Remplacez **systématiquement** un fusible endommagé par un fusible de même type et ayant les mêmes spécifications électriques !
- En cas de problèmes de fonctionnement sérieux, arrêtez toute utilisation de l'appareil et contactez votre revendeur immédiatement.
- La carrosserie et les lentilles doivent être remplacées si elles sont visiblement endommagées.
- Utilisez l'emballage d'origine si l'appareil doit être transporté.
- Pour des raisons de sécurité, il est interdit d'apporter une quelconque modification à l'unité non spécifiquement autorisée par les parties responsables.

**Important:** Ne jamais fixer directement la source de lumière ! Ne pas utiliser d'effets en présence de personnes souffrant d'épilepsie.

## DESCRIPTION :



1. Entrée via connecteur IEC et porte fusible intégré, branchez ici le câble d'alimentation qui est livré avec l'appareil.
2. Sortie alimentation secteur via connecteur IEC : on peut utiliser un câble spécial IEC afin de connecter cette sortie avec l'entrée secteur du LED QUADRA BEAM suivant afin de faciliter le chaînage. (max 51 appareils)
3. Entrée DMX : connecteur XLR mâle à 3 broches utilisé pour connecter des câbles DMX universels. Cette entrée reçoit ses instructions d'un contrôleur DMX ou d'un autre LED QUADRA BEAM quand c'est le mode maître/esclave qui a été choisi.
4. Sortie DMX : connecteur XLR femelle à 3 broches utilisé pour connecter le LED QUADRA BEAM soit à l'appareil qui suit dans la chaîne DMX, soit à un autre LED QUADRA BEAM quand c'est le mode maître/esclave qui a été choisi.
5. Support de fixation, pourvu de 2 boutons de serrage (un de chaque côté de l'appareil) et d'un trou pouvant recevoir un crochet de fixation.
6. Prise ¼" utilisée pour connecter le contrôleur CA-8 optionnel
7. Microphone interne
8. Réglage de sensibilité du niveau audio.
9. Interrupteurs DIP utilisés pour régler l'adresse DMX de départ de l'appareil.

## INSTALLATION EN HAUTEUR

- **Important:** L'installation doit être faite par du personnel qualifié uniquement. Une installation incorrecte peut causer des blessures sévères et/ou endommager l'appareil. L'installation en hauteur exige de l'expérience ! Les limites de charge doivent être scrupuleusement respectées, du matériel d'installation certifié doit être utilisé, et l'appareil installé doit subir des inspections de sécurité régulièrement.
- Assurez-vous que la zone au-dessous du lieu d'installation ne comporte pas de personnes non concernées lors de l'installation, la désinstallation ou la maintenance.
- Placez l'appareil dans un endroit bien ventilé, éloigné de tout matériau ou liquide inflammable. L'appareil doit être fixé à **50cm minimum** des murs situés à proximité.
- L'appareil doit être hors de portée du public et en dehors des zones de passage de personnes ou des zones où le public est installé.

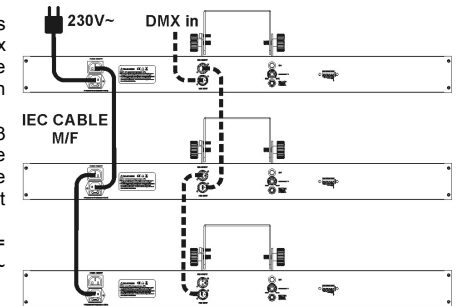
- Avant l'installation, assurez-vous que la zone d'installation pourra supporter, en son point de fixation, un minimum de 10 fois le poids de l'appareil.
- Utilisez systématiquement un câble de sécurité qui peut supporter 12 fois le poids de l'appareil lors de l'installation. Ce câble de sécurité secondaire doit être installé de manière à ce qu'aucune partie de l'appareil ne puisse descendre de plus de 20 cm si le support principal tombe.
- L'appareil doit être bien fixé, un montage à balancement est dangereux et ne devrait pas être pris en considération !
- Ne pas couvrir les orifices de ventilation pour éviter tout risque de surchauffe.
- L'utilisateur doit s'assurer que les installations techniques et de sécurité sont bien approuvées par un expert avant la première utilisation. Les installations doivent être inspectées chaque année par du personnel qualifié pour assurer une sécurité optimale.

## INSTALLATION ELECTRIQUE + ADRESSAGE

**Important:** L'installation électrique doit uniquement être effectuée par du personnel qualifié, selon la législation concernant les mesures de sécurité électriques et mécaniques en vigueur dans votre pays.

### Installation électrique en mode DMX :

- Le protocole DMX est un signal à haute vitesse très utilisé pour contrôler des équipements lumineux intelligents. Vous devez connecter en guirlande votre contrôleur DMX et tous les appareils avec un câble balancé de bonne qualité.
- Les deux types de connecteurs XLR, ceux à 3 broches comme ceux à 5 broches, peuvent être utilisés ; cependant, les connecteurs à 3 broches se rencontrent plus fréquemment car ils sont compatibles avec les câbles audio symétriques.  
Plan de câblage des XLR à 3 broches : Broche 1 = prise de terre ~ broche 2 = signal négatif (-) ~ broche 3 = signal positif (+)  
Plan de câblage des XLR à 5 broches : Broche 1 = prise de terre ~ broche 2 = signal négatif (-) ~ broche 3 = signal positif (+) ~ broches 4 et 5 : non utilisées.
- Pour éviter des comportements étranges des effets de lumières dus aux interférences, vous devez utiliser une résistance de bouclage de 90Ω à 120Ω au bout de la guirlande. Ne jamais utiliser de séparateur de câbles en forme « Y », cela ne fonctionnera pas!
- Assurez-vous que les appareils sont tous branchés sur le secteur.
- Chaque effet de lumière dans la guirlande doit avoir sa propre adresse de départ afin de savoir quelle est la commande du contrôleur il doit décoder. Dans la prochaine section, vous apprendrez à régler l'adresse DMX.



### Comment régler les interrupteurs DIP pour créer une adresse de départ correcte :

Référez-vous au chapitre suivant (réglage de l'adresse DMX-512) pour apprendre à régler l'adresse de départ sur cet appareil. L'adresse de départ de chaque appareil est très importante. Malheureusement il est impossible de vous expliquer dans ce mode d'emploi quel adresse de démarrage vous devez introduire car cela dépend entièrement du contrôleur que vous utiliserez ... veuillez donc vous référer au mode d'emploi de votre contrôleur DMX pour savoir quelle adresse vous devez utiliser.

### Exemples de paramétrage pour différents types de configuration DMX:

- **Mode à 1 Canal:** 001 (appareil1), 002 (appareil2), 003 (appareil3), ... → intervalles d'un canal
- **Mode à 6 Canaux:** 001 (appareil1), 007 (appareil2), 013 (appareil3), ... → intervalles de 6 canaux

Chacun des 9 premiers interrupteurs DIP correspond à une certaine valeur DMX. L'interrupteur DIP 10 est utilisé pour passer du mode à 1 canal au mode à 6 canaux, ou inversement.

DIP	#1	#2	#3	#4	#5	#6	#7	#8	#9	#10
Valeur	1	2	4	8	16	32	64	128	256	ON = mode à 1 canal OFF = mode à 6 canaux

On peut combiner les valeurs de ces interrupteurs de manière à obtenir n'importe quelle adresse de départ entre 1 et 512 :

Réglage adresse = 01	→ int. 1 = ON	valeur = 1
Réglage adresse = 05	→ int. 1+3 = ON	valeur = 1+4 = 5
Réglage adresse = 09	→ int. 1+4 = ON	valeur = 1+8 = 9
Réglage adresse = 13	→ int. 1+3+4 = ON	valeur = 1+4+8 = 13
...		
Réglage adresse = 62	→ int. 2+3+4+5+6 = ON	valeur = 2+4+8+16+32 = 62

## FUNCTIONNEMENT DE L'APPAREIL

### 1. Un seul appareil en mode autonome :

**Important : L'appareil DOIT être réglé à l'adresse DMX 001** (Premier switch DIP sur ON, tous les autres sur OFF). Connectez simplement l'appareil au secteur et mettez de la musique. L'appareil commencera à fonctionner automatiquement en suivant le rythme de la musique.

Si vous mettez également l'interrupteur dip N° 10 sur ON, l'appareil fonctionnera en mode automatique à la vitesse préprogrammée.

### 2. Deux appareils ou plus, en mode 'maître/esclave' :

Connectez deux appareils ou plus entre eux. A cette fin, utilisez des câbles pour micros, de bonne qualité et pourvus de prises XLR symétriques. L'appareil qui n'a pas de câble raccordé à son entrée se comportera en 'master', les autres réagiront donc comme des appareils 'slaves'.

**Important : sur l'appareil 'master', l'adresse DMX doit être réglée sur 000**

Réglez l'adresse DMX du premier appareil esclave sur 001.

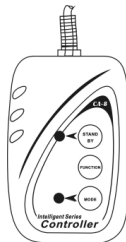
On peut inverser les réactions d'un ou de plusieurs 'slaves' en changeant la position de l'interrupteur DIP N° 10 sur les 'esclaves' en question. Il suffit d'essayer et de voir si cela améliore l'effet.

### 3. Pour disposer de plus de contrôle, connectez le contrôleur optionnel CA-8 :

Le contrôleur CA-8 ne peut être utilisé qu'avec deux modes : autonome et maître/esclave.

Connectez le contrôleur au jack d'entrée du premier appareil (maître). Vous pouvez maintenant contrôler tous les appareils connectés.

<b>Stand by</b>	L'appareil est totalement éteint.	
<b>Fonction</b>	4. Stroboscope synchrone	Sélectionnez un show
	5. Stroboscope sonore	
	6. Stroboscope alterné	
<b>Mode</b>	Strobo (LED éteinte)	Show (LED allumée)



### 4. Mode DMX :

Quand les appareils sont connectés en mode DMX, ils peuvent être contrôlés en suivant les instructions du tableau DMX ci-dessous :

**Deux modes DMX sont disponibles : un mode à 1 canal et 6 canaux:**

#### Mode à 1 canal:

Mode de fonctionnement très pratique: vous n'avez besoin que d'un seul canal DMX pour activer 1 des 12 programmes chenillard pilotés par la musique, ou pour simplement allumer ou éteindre l'effet à l'aide d'une commande style 'JB Systems effect commander' (pas besoin de switch pack).

#### Mode à 6 canaux:

Contrôlez toutes les fonctions et programmes de l'effet.

- Canal 1: allumez/éteignez l'appareil et sélectionnez un des 25 programmes chenillard
- Canal 2: contrôle de la fonction stroboscopique.
- Canal 3: contrôle du niveau de sortie des LED rouges.
- Canal 4: contrôle du niveau de sortie des LED vertes.
- Canal 5: contrôle du niveau de sortie des LED bleues.
- Canal 6: contrôle du niveau de sortie général.

## MODE A 1 CANAL

## MODE A 6 CANAUX

Ch1	Ch1	Ch2	Ch3	Ch4	Ch5	Ch6
Chase	Chase	Strobe	Red	Green	Blue	Dimmer
250-255 Random Chase	250-255 Random Chase					
240-249 Chase 24	240-249 Chase 24					
230-239 Chase 23	230-239 Chase 23					
220-229 Chase 22	220-229 Chase 22					
210-219 Chase 21	210-219 Chase 21					
200-209 Chase 20	200-209 Chase 20					
190-199 Chase 19	190-199 Chase 19					
180-189 Chase 18	180-189 Chase 18					
170-179 Chase 17	170-179 Chase 17					
160-169 Chase 16	160-169 Chase 16					
150-159 Chase 15	150-159 Chase 15					
140-149 Chase 14	140-149 Chase 14					
130-139 Chase 13	130-139 Chase 13					
120-129 Chase 12	120-129 Chase 12					
110-119 Chase 11	110-119 Chase 11					
100-109 Chase 10	100-109 Chase 10					
090-099 Chase 9	090-099 Chase 9					
080-089 Chase 8	080-089 Chase 8					
070-079 Chase 7	070-079 Chase 7					
060-069 Chase 6	060-069 Chase 6					
050-059 Chase 5	050-059 Chase 5					
040-049 Chase 4	040-049 Chase 4					
030-039 Chase 3	030-039 Chase 3					
020-029 Chase 2	020-029 Chase 2					
010-019 Chase 1	010-019 Chase 1					
000-009 Function	000-009 Function					

## MAINTENANCE

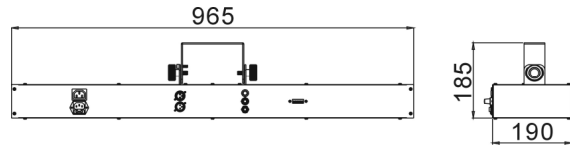
- Assurez-vous que la zone au-dessous du lieu d'installation ne comporte pas de personnes non concernées lors de la maintenance
  - Mettez l'appareil hors tension, débranchez le cordon d'alimentation et attendez que l'appareil ait refroidi.
- Pendant l'inspection, les points suivants doivent être vérifiés :**
- Toutes les vis utilisées pour l'installation de l'appareil ou de chacune de ses pièces doivent être bien fixées et non corrodées.
  - Les niches, fixations et structures de support (plafond, poutres, suspensions) doivent être totalement intactes, sans aucune déformation.
  - Lorsqu'une lentille optique est visiblement endommagée (fissure ou éraflures profondes), elle doit être remplacée.
  - Les câbles doivent être en parfait état et doivent être remplacés immédiatement en cas de détection d'un problème, même bénin.
  - Pour protéger l'appareil de toute surchauffe, les ventilateurs (le cas échéant) et les orifices de ventilation doivent être nettoyés tous les mois.
  - L'intérieur de l'appareil doit être nettoyé **chaque année** à l'aide d'un aspirateur ou d'un pistolet à air.
  - Le nettoyage des lentilles optiques internes et externes et/ou des miroirs doit être effectué périodiquement pour optimiser la production de lumière. La fréquence de nettoyage dépend de l'environnement dans lequel l'appareil fonctionne: des environnements humides, enfumés ou particulièrement sales peuvent entraîner une accumulation de saletés plus importante sur les parties optiques de l'appareil.
    - Nettoyez à l'aide d'un chiffon doux avec des produits de nettoyage pour verres normaux.
    - Séchez toujours les parties soigneusement.
    - Nettoyez les optiques externes au moins une fois tous les 30 jours.
    - Nettoyez les optiques internes au moins une fois tous les 90 jours.

**Attention:** Nous vous recommandons fortement de faire exécuter le nettoyage interne par du personnel qualifié !



## SPECIFICATIONS

Alimentation:	CA 100V à 240V, 50/60Hz
Consommation :	12 watts
Fusible:	250V 6,3A lente (20mm verre)
Contrôle du son:	microphone interne
Connexions DMX:	connecteurs XLR mâle / femelle à 3 broches
Canaux DMX utilisés :	1 ou 6 canaux
Ampoules:	256 LED (R96 + V96 + B64)
Dimensions:	965 x 190 x 82cm
Poids:	6,4kg



Chacune de ces informations peut être modifiée sans avertissement préalable. Vous pouvez télécharger la dernière version de ce mode d'emploi de notre site Web: [www.beglec.com](http://www.beglec.com)

## GEBRUIKSAANWIJZING

Hartelijk dank voor de aankoop van dit JB Systems® product. Om ten volle te kunnen profiteren van alle mogelijkheden en voor uw eigen veiligheid, gelieve de aanwijzingen zeer zorgvuldig te lezen voor U begint het apparaat te gebruiken.

**DOOR U OP ONZE MAILINGLIJST IN TE SCHRIJVEN ONTVANGT U STEEDS DE LAATSTE INFORMATIE OVER ONZE PRODUCTEN: NIEUWIGHEDEN, SPECIALE ACTIES, OPENDEURDAGEN, ENZ.**  
 → SURF NAAR: [WWW.BEGLEC.COM](http://WWW.BEGLEC.COM) ←

## KARAKTERISTIEKEN

In dit apparaat is radio-interferentie onderdrukt. Dit product voldoet aan de gangbare Europese en nationale voorschriften. Het is vastgesteld dat het apparaat er zich aan houdt en de desbetreffende verklaringen en documenten zijn door de fabrikant afgegeven.

- Het toestel is ontworpen om decoratieve lichteffecten te produceren en kan eventueel worden gebruikt in lichtshows.
- Zeer dynamisch LED scaneffect met krachtige stralen
- Op basis van 4 LED clusters met 256 power LEDs (R=96 + G=96 + B=64):
  - Zeer heldere kleuren in vergelijking met effecten die werken met een halogeenlamp
  - Zeer scherpe blauwe, rode en groene laserachtige stralen
  - Geen lampen te vervangen!
  - Bijna geen warmteontwikkeling + zeer laag verbruik
- Dimmer (0-100%) en ultra snelle strobe functie
- Uitstekende ingebouwde programma's voor prachtige afwisselende lichtshows:
  - DMX-control: via 1kanaal voor een gemakkelijk gebruik of via 6 kanalen voor een volledige controle over de 4 LED clusters
  - Standalone: geluidgestuurd via de ingebouwde microfoon
  - Master/slave: prachtige synchrone shows
  - CA-8 controller apart verkrijgbaar
- IEC voeding in/uitgangen voor het gemakkelijk doorlinken via optionele IEC stroomkabels
- Perfect voor verschillende toepassingen: discotheken, clubs, mobiele DJs, ...

## VOOR DE IN GEBRUIKNAME

Controleer voor het eerste gebruik van het apparaat of het tijdens het transport beschadigd werd. Mocht er schade zijn, gebruik het dan niet, maar raadpleeg eerst uw dealer.

**Belangrijk:** Dit apparaat verliet de fabriek in uitstekende staat en goed verpakt. Het is erg belangrijk dat de gebruiker de veiligheidsaanwijzingen en raadgevingen in deze gebruiksaanwijzing uiterst nauwkeurig volgt. Elke schade veroorzaakt door verkeerd gebruik van het apparaat valt niet onder de garantie. De dealer aanvaardt geen verantwoordelijkheid voor mankementen en problemen die komen door het veronachtzamen van deze gebruiksaanwijzing.

Bewaar deze brochure op een veilige plaats om hem in de toekomst nogmaals te kunnen raadplegen. Indien U het apparaat verkoopt, denkt U er wel aan om de gebruiksaanwijzing bij te voegen.

**Controleer de inhoud:**

Controleer of de doos volgende onderdelen bevat:

- Handleiding
- LED QUADRA BEAM
- Voedingskabel

## VEILIGHEIDSVORSCHRIFTEN:



**WAARSCHUWING:** Om het risico op elektrocutie zoveel mogelijk te vermijden mag u nooit de behuizing verwijderen. Er bevinden zich geen onderdelen in het toestel die u zelf kan herstellen. Laat de herstellingen enkel uitvoeren door een bevoegde technicus.



De bliksempijl die zich in een gelijkbenige driehoek bevindt is bedoeld om u te wijzen op het gebruik of de aanwezigheid van niet-geïsoleerde onderdelen met een "gevaarlijke spanning" in het toestel die voldoende kracht heeft om een risico van elektrocutie in te houden.



Het uitroepteken binnen de gelijkbenige driehoek is bedoeld om de gebruiker erop te wijzen dat er in de meegeleverde literatuur belangrijke gebruik en onderhoudsinstructies vermeld staan betreffende dit onderdeel.



Dit symbool betekent: het apparaat mag enkel binnenhuis worden gebruikt.



Dit symbool betekent: Lees de handleiding!



Dit symbool betekent: Klasse I apparaten



Dit symbool bepaalt: de minimumafstand van te belichten voorwerpen. De minimumafstand tussen projector en het verlichte voorwerp moet meer dan 0,5 meter zijn.

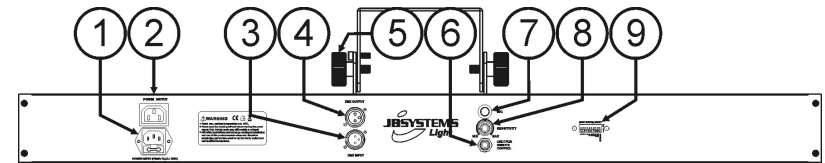
Het toestel is geschikt om gemonteerd te worden op standaard ontvlambare oppervlakten. Standaard ontvlambare oppervlakten omvatten bouwmaterialen zoals hout en houtbevattende materialen van meer dan 2mm dik

- Bescherm het milieu, probeer zoveel mogelijk het verpakkingsmateriaal te recycleren.
- Stel dit apparaat niet bloot aan regen of vocht, dit om het risico op brand en elektrische schokken te voorkomen.
- Om de vorming van condensatie binnenin te voorkomen, laat het apparaat aan de omgevingstemperatuur wennen wanneer het, na het transport, naar een warm vertrek is overgebracht. Condensatie kan het toestel soms verhinderen perfect te functioneren. Het kan soms zelfs schade aan het apparaat toebrengen.
- Gebruik dit apparaat uitsluitend binnenshuis.
- Plaats geen stukken metaal en mors geen vocht binnen in het toestel om elektrische schokken of storing te vermijden. Indien een vreemd voorwerp in het apparaat geraakt, moet U het direct van het lichtnet afkoppelen.
- Plaats de installatie op een plaats met goede ventilatie, ver van brandbare materialen en/of vloeistoffen. De installatie moet op minstens 50 cm van de muren rondom geplaatst worden.
- Bedek geen enkele ventilatieopening om oververhitting te vermijden.
- Zorg dat het toestel niet in een stoffige omgeving wordt gebruikt en maak het regelmatig schoon.
- Houd het apparaat uit de buurt van kinderen.
- Dit apparaat mag niet door onervaren personen bediend worden.
- De maximum veilige omgevingstemperatuur is 40°C. Gebruik het apparaat dus niet bij hogere temperaturen.
- Verzekert U van dat er zich onder de plaats waar het toestel wordt geïnstalleerd geen ongewenste personen bevinden tijdens het bevestigen en losmaken alsook bij het onderhoud.
- Trek altijd de stekker uit wanneer het apparaat gedurende langere tijd niet wordt gebruikt of alvorens te beginnen met de onderhoudsbeurt.
- De elektrische installatie behoort uitsluitend uitgevoerd te worden door bevoegd personeel, volgens de in uw land geldende regels betreffende elektrische en mechanische veiligheid.
- Controleer dat de beschikbare spanning niet hoger is dan die aangegeven op de achterzijde van het toestel.
- De elektrische kabel behoort altijd in uitstekende staat te zijn. Zet het apparaat onmiddellijk af als de elektrische kabel gekneusd of beschadigd is. De kabel moet vervangen worden door de fabrikant zelf, zijn dealer of vergelijkbare bekwame personen om een brand te voorkomen.
- Laat de elektrische draad nooit in contact komen met andere draden.
- Volgens de veiligheidsvoorschriften moet deze installatie geaard worden.
- Sluit het apparaat niet aan op een elektronische dimmer.
- Gebruik altijd een geschikte en gekeurde veiligheidskabel bij het installeren van het toestel.

- Om elektrische schokken te voorkomen, moet U de behuizing niet openen. Er zitten geen onderdelen in het toestel die door de gebruiker moeten worden onderhouden.
- Repareer **nooit** een zekering en overbrug de zekeringhouder nooit. Vervang een beschadigde zekering **steeds** door een zekering van hetzelfde type en met dezelfde elektrische kenmerken.
- In geval van ernstige problemen met het bedienen van het toestel, stopt U onmiddellijk het gebruik ervan. Contacteer uw dealer voor een eventuele reparatie.
- De behuizing en de lenzen moeten vervangen worden als ze zichtbaar beschadigd zijn.
- Gebruik best de originele verpakking als het toestel vervoerd moet worden.
- Om veiligheidsredenen is het verboden om wijzigingen aan het toestel aan te brengen.

**Belangrijk:** Kijk nooit rechtstreeks in de lichtbron. Gebruik het lichteffect niet in aanwezigheid van personen die lijden aan epilepsie.

## BESCHRIJVING:



- Voedingsingang met IEC aansluiting en ingebouwde zekeringhouder: sluit hier de meegeleverde voedingskabel aan.
- Voedingsuitgang met IEC aansluiting: hier kunt u via een speciale IEC stroomkabel een andere LED QUADRA BEAM van stroom voorzien. Er mogen max 51 van deze toestellen gelinkt worden
- DMX ingang: mannelijke 3pins XLR-connector voor het aansluiten van universele DMX kabels. Deze ingang kan instructies krijgen van een DMX-controller of van een andere LED QUADRA BEAM in master/slave modus.
- DMX uitgang: vrouwelijke 3pins XLR-connector om de LED QUADRA BEAM met het volgende toestel in de DMX keten te verbinden of om een andere LED QUADRA BEAM aan te sluiten in master/slave modus.
- Ophangbeugel met 2 spanknoppen waarop een universele montagehaak kan bevestigd worden.
- 1/4" Jack aansluiting voor de optionele CA-8 hand controller
- Ingebouwde microfoon
- Regeling van de ingangsgevoeligheid van de microfoon.
- DIP schakelaars voor het instellen van het DMX startadres van het toestel.

## OPHANGEN VAN HET APPARAAT

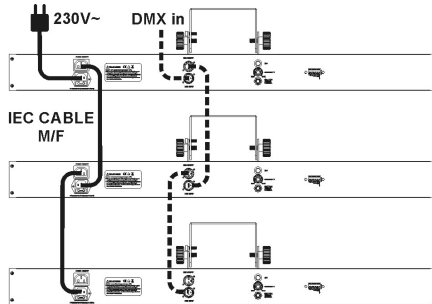
- Belangrijk:** De installatie van het toestel mag uitsluitend door bekwaam onderhoudspersoneel uitgevoerd worden. Onjuiste plaatsing kan ernstige letsels en/of schade aan eigendommen tot gevolg hebben. Het ophangen vergt veel ervaring. U behoort de grenzen te respecteren aan de werklust; erkende installeringmaterialen moeten worden gebruikt; de veiligheid van het geïnstalleerde toestel moet regelmatig worden gecontroleerd.
- Overtuigt U ervan dat het gebied onder installatieplaats vrij is van ongewenste personen tijdens het plaatsen, het weghalen en het onderhoud.
- Installeer het toestel op een goed geventileerde plaats, ver van brandbare stoffen en/of vloeistoffen. Het toestel moet worden bevestigd op **minstens 50 cm** van de omringende muren.
- Het toestel moet worden geïnstalleerd buiten het bereik van iedereen en weg van plaatsen waar men mag lopen en zitten.
- Alvorens tot plaatsen over te gaan, moet men controleren dat de minimum puntbelasting van de installatieplaats 10 keer het gewicht van het toestel bedraagt.
- Gebruik bij het installeren van het toestel altijd een gewaarmerkte veiligheidskabel die 12 keer het gewicht van het toestel kan dragen. Deze bijkomende veiligheidsbevestiging moet zo worden aangebracht dat geen deel van het toestel meer dan 20 cm vallen kan als de hoofdveiliging faalt.

- Het apparaat moet goed worden vastgezet; aan een vrij zwaaiende montage mag zelfs niet gedacht worden.
- Bedek geen ventilatieopeningen, anders zou dit oververhitting tot gevolg kunnen hebben.
- De gebruiker moet er zich van verzekeren dat de installaties met betrekking tot de veiligheid en de technische mechaniek door een expert zijn goedgekeurd alvorens ze voor de eerste keer te gebruiken. Elk jaar moeten de installaties worden gekeurd door een vakman om te controleren of de veiligheid nog steeds perfect is.

## ELEKTRISCHE INSTALLATIE + ADRESSERING

**Belangrijk:** De elektrische installatie zou alleen uitgevoerd moeten worden door een bekwaam persoon volgens de voorschriften voor elektrische en mechanische veiligheid in uw land.

- Het DMX-protocol is een breed gebruikt hogesnelheidssignaal om lichtuitrustingen te bedienen. U moet uw DMX bediening en alle units met een gebalanceerde kabel van goede kwaliteit doorverbinden.
- Zowel de XLR-3pin als XLR-5pin connector worden gebruikt, echter de XLR-3pin is populairder want deze kabels zijn compatibel met gebalanceerde audio kabels.  
Pin layout XLR-3pin: Pin1 = GND ~ Pin2 = Negatief signaal (-) ~ Pin3 = Positief signaal (+)  
Pin layout XLR-5pin: Pin1 = GND ~ Pin2 = Negatief signaal (-) ~ Pin3 = Positief signaal (+) ~ Pins4+5 niet in gebruik.
- Om vreemd gedrag van de lichteffecten, veroorzaakt door storing, te voorkomen, moet u een afsluiterstand van 90Ω tot 120Ω aan het eind van de keten gebruiken. Gebruik nooit een Y-splitkabel, dit zal eenvoudig niet werken!
- Weet zeker dat alle units op het lichtnet zijn aangesloten.
- Elk lichteffect in de keten heeft een eigen DMX startadres nodig zodat het weet welke commando's van de bediening het moet ontcijferen. In de volgende sectie zal u leren hoe het DMX adres in te stellen.



### Hoe de DIP-schakelaars gebruiken om het gewenste DMX startadres in te stellen:

In het volgende hoofdstuk wordt beschreven hoe u het adres op dit toestel moet instellen (DMX-512 adres instellen). Het startadres van elk toestel is zeer belangrijk. Het is echter onmogelijk u mede te delen welk start adres u zou moeten gebruiken aangezien dit volledig afhangt van de controller die u gaat gebruiken... Gelieve hiervoor de handleiding van uw DMX-controller te raadplegen.

#### Voorbeelden van instellingen voor de verschillende kanaalconfiguraties:

- **1 kanaalsmodus:** 001 (toestel1), 002 (toestel2), 003 (toestel3), ... → interval van 1 kanaal
- **6 kanaalsmodus:** 001 (toestel1), 007(toestel 2), 013 (toestel3), ... → interval van 6 kanalen

Elk van de eerste 9 DIP-schakelaars stemt overeen met een bepaalde DMX-waarde. Dip schakelaar 10 wordt gebruikt om over te schakelen tussen 1 kanaals et 6 kanaals modus.

DIP	#1	#2	#3	#4	#5	#6	#7	#8	#9	#10
Waarde	1	2	4	8	16	32	64	128	256	ON = 1 kanaalsmodus OFF= 6 kanaalsmodus

U kunt de waarden van deze schakelaars combineren om zo om het even welk startadres tussen 1 en 512 te bekomen:

Startadres = 01	→ schakelaar 1=ON	waarde: 1
Startadres = 05	→ schakelaar 1+3=ON	waarde: 1+4 = 5
Startadres = 09	→ schakelaar 1+4=ON	waarde: 1+8 = 9
Startadres = 13	→ schakelaar 1+3+4=ON	waarde: 1+4+8 = 13
...		
Startadres = 62	→ schakelaar 2+3+4+5+6=ON	waarde: 2+4+8+16+32 = 62

## BEDIENING VAN HET TOESTEL

### 1. 1 autonoom toestel:

**Belangrijk: het DMX adres MOET ingesteld worden op 001** (eerste DIP switch = ON, all de andere staan op OFF). Sluit het toestel gewoon aan op het net en laat muziek afspelen. Het toestel zal automatisch beginnen werken op het ritme van de muziek.  
Wanneer u ook dip schakelaar 10 aan zet zal het toestel automatisch beginnen werken op een voorgeprogrammeerde snelheid

### 2. Twee of meer toestellen in master/slave opstelling:

Verbindt 2 of meer toestellen met mekaar via gebalanceerde XLR microfoonkabels van goede kwaliteit. Het toestel waar geen kabel aangesloten is in zijn ingang zal reageren als master, de andere toestellen zijn slave toestellen.

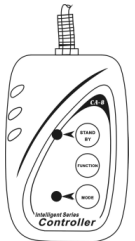
**Belangrijk: Op het master toestel MOET het DMX adres ingesteld worden op 000**

Stel het DMX adres van het eerste slave toestel in op 001.

U kan het gedrag van één of meerdere van de slave toestellen omkeren door de positie van DIP-switch n°10 op deze toestellen te veranderen. Probeer het gewoon eens en kijk of het effect beter tot zijn recht komt.

### 3. Een betere controle dank zij de CA-8 controller:

De CA-8 controller kan enkel gebruikt worden in standalone (autonoom) of master/slave modus. Sluit de controller via de jack ingang aan op het eerste toestel (master). Nu kunt u alle toestellen controleren:



Stand by	Blackout	
Function	7. Synchronous Strobe 8. Sound Strobe 9. Two light Strobe	Kies een show
Mode	Strobo (LED UIT)	Show (LED AAN)

### 4. DMX-modus:

Wanneer de toestellen in DMX aangesloten zijn, dan kunt u de toestellen controleren zoals hieronder beschreven:

**Twee DMX modi zijn beschikbaar: werking via 1kanaal of via 6 kanalen:**

#### 1 kanaals modus:

Zeer gebruiksvriendelijke werkmodus: u heeft slechts 1 DMX kanaal nodig om 1 van de 12 voorgeprogrammeerde sound chases op te roepen, of u kunt het toestel gewoon aan en uit zetten via een controller zoals onze Effect Commander (geen switch packs nodig).

#### 6 kanaals modus:

Zo beschikt u over de totale controle van alle voorgeprogrammeerde functies en effecten van het toestel.

- Kanaal 1: schakel het toestel aan/uit en kies 1 van de 25 chases.
- Kanaal 2: controle voor de strobo functie
- Kanaal 3: controle van het uitgangsniveau van de rode LEDs.
- Kanaal 4: controle van het uitgangsniveau van de groene LEDs.
- Kanaal 5: controle van het uitgangsniveau van de blauwe LEDs.
- Kanaal 6: algemene dimniveau.

1 KANAAL		6 KANALEN				
Ch1	Ch1	Ch2	Ch3	Ch4	Ch5	Ch6
Chase	Chase	Strobe	Red	Green	Blue	Dimmer
250-255 Random Chase	250-255 Random Chase					
230-249 Chase 11	240-249 Chase 24					
210-229 Chase 10	230-239 Chase 23					
190-209 Chase 9	220-229 Chase 22					
170-189 Chase 8	210-219 Chase 21					
150-169 Chase 7	200-209 Chase 20					
130-149 Chase 6	190-199 Chase 19					
110-129 Chase 5	180-189 Chase 18					
090-109 Chase 4	170-179 Chase 17					
070-089 Chase 3	160-169 Chase 16					
050-069 Chase 2	150-159 Chase 15					
030-049 Chase 1	140-149 Chase 14					
000-029 OFF	130-139 Chase 13					
	120-129 Chase 12					
	110-119 Chase 11					
	100-109 Chase 10					
	090-099 Chase 9					
	080-089 Chase 8					
	070-079 Chase 7					
	060-069 Chase 6					
	050-059 Chase 5					
	040-049 Chase 4					
	030-039 Chase 3					
	020-029 Chase 2					
	010-019 Chase 1					
	000-009 Function					

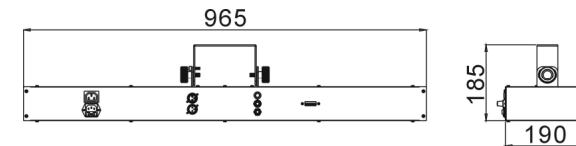
**ONDERHOUD**

- Overtuig U ervan dat het gebied onder de installatieplaats vrij is van ongewenste personen tijdens het onderhoud.
- Zet het toestel uit, trek de netstekker uit het stopcontact en wacht tot het toestel is afgekoeld.
- **Bij inspectie moeten de volgende punten worden gecontroleerd.**
- Alle schroeven gebruikt om het te toestel te installeren en al zijn onderdelen moeten goed vastgedraaid zijn en mogen niet verroest zijn.
- Behuizingen, vastzetstukken, installeringplaatsen (plafond, spanten, schokbrekers) mogen absoluut niet verwrongen zijn.
- Wanneer een optische lens klaarblijkelijk beschadigd is door barsten of diepe krassen, dan moet deze vervangen worden.
- De stroomkabels moeten in perfecte staat zijn en behoren vervangen te worden, wanneer er zelfs maar een klein probleem ontdekt werd.
- Om het toestel tegen oververhitting te beschermen, behoren de ventilatoren (als die er zijn) en de ventilatieopeningen elke maand gereinigd te worden.
- De binnenkant van het toestel behoort elk jaar gereinigd te worden met een stofzuiger of een luchtspuit.
- Het schoonmaken van inwendige en uitwendige optische lenzen en/of spiegels moet regelmatig worden uitgevoerd om een zo goed mogelijke lichtuitstraling te verkrijgen. Hoe vaak ze schoon moeten worden gemaakt hangt af van de omgeving waar het toestel wordt gebruikt: een klamme, rokerige of bijzonder vuile omgeving kan een grotere opeenhoping van vuil veroorzaken op de optische uitrusting.
  - Reinig met een zachte doek en gebruik normale glasreinigende producten.
  - Droog de onderdelen altijd zorgvuldig af,
  - Reinig de uitwendige optische uitrusting minstens één keer per maand.
  - Reinig de inwendige optische uitrusting minstens om de 3 maanden.

**Let op:** We bevelen sterk aan dat het schoonmaken van de binnenkant wordt uitgevoerd door vakbekwaam personeel!!

**TECHNISCHE KENMERKEN**

- Netvoeding:** wisselstroom 100V tot 240V, 50/60Hz
- Stroomverbruik:** 12 Watt
- Zekering:** 250 V/ 6,3A trage zekering (20 mm)
- Geluidscontrole:** Inwendige microfoon
- DMX verbinding:** 3 pins XLR mannelijk/ vrouwelijk
- Aantal gebruikt DMX kanalen:** 1 of 6 kanalen
- Lamp:** 256 LEDs (R96 + G96 + B64)
- Afmetingen:** 965 x 190 x 82cm
- Gewicht:** 6,4 kg



Elke inlichting kan veranderen zonder waarschuwing vooraf  
 U kan de laatste versie van deze handleiding downloaden via Onze website: [www.beglec.com](http://www.beglec.com)

# BEDIENUNGSANLEITUNG

Vielen Dank, dass Sie sich für den Erwerb dieses JBSystems®-Produkt entschieden haben. Bitte lesen Sie diese Bedienungsanleitung sorgfältig vor der Inbetriebnahme durch, zur vollen Ausschöpfung der Möglichkeiten, die dieses Gerät bietet, sowie zu Ihrer eigenen Sicherheit.

## EIGENSCHAFTEN

Das Gerät ist funktentstört und erfüllt die Anforderungen der europäischen und nationalen Bestimmungen. Entsprechende Dokumentation liegt beim Hersteller vor.

- Das Gerät ist zur Erzeugung von dekorativem Licht sowie zur Verwendung in Lightshows bestimmt.
- Sehr dynamischer LED Scanner-Effekt mit kraftvollen Strahlen
- Ausgestattet mit 4 LED-Cluster mit 256 Hochleistungs-LEDs (R=96 + G=96 + B=64):
  - Äußerst schillernde Farben verglichen mit Halogenlampen-Effekten
  - Sehr scharfe blaue, rote und grüne Laser ähnliche Strahlen
  - Kein Leuchtaustausch!
  - Nahezu keine Wärmeabgabe und sehr geringe Leistungsaufnahme
- 0-100% Dimmung und ultra schnelle Strobe-Funktion
- Ausgezeichnete eingebaute Programme für herrliche, abwechslungsreiche Lightshows:
  - DMX-Steuerung: 1-Kanal für eine einfache Bedienung oder 6-Kanal für komplette Steuerung der der 4 LED-Cluster
  - Standalone: musikgesteuert mit eingebautem Mikro
  - Master/Slave: wundervolle synchronisierte Shows
  - Wahlweise CA-8 Fernsteuerung erhältlich
- IEC Netzein-/ausgänge zum einfachen Verbinden mit als Zubehör erhältlichen IEC-Kabeln
- Ideal für verschiedene Anwendungen: Diskos, Clubs, mobile DJs, ...

## VOR DER ERSTBENUTZUNG

- Vor der Erstbenutzung bitte das Gerät zuerst auf Transportschäden überprüfen. Sollte das Gerät einen Schaden aufweisen, Gerät bitte nicht benutzen, sondern setzen Sie sich unverzüglich mit Ihrem Händler in Verbindung.
- **Wichtiger Hinweis:** Das Gerät hat das Werk unbeschädigt und gut verpackt verlassen. Es ist wichtig, dass der Benutzer sich streng an die Sicherheitshinweise und Warnungen in der Bedienungsanleitung hält. Schäden durch unsachgemäße Handhabung sind von der Garantie ausgeschlossen. Der Händler übernimmt keine Verantwortung für Schäden, die durch Nichtbeachtung der Bedienungsanleitung hervorgerufen wurden.
- Die Bedienungsanleitung zum zukünftigen Nachschlagen bitte aufbewahren. Bei Verkauf oder sonstiger Weitergabe des Geräts bitte Bedienungsanleitung beifügen.

### Packungsinhalt prüfen:

Bitte überprüfen Sie, dass die Packung folgende Einzelteile enthält:

- Bedienungsanleitung
- LED QUADRA BEAM
- Netzkabel

## SICHERHEITSHINWEISE



**ACHTUNG:** Um sich nicht der Gefahr eines elektrischen Schlags auszusetzen, entfernen Sie keines der Gehäuseteile. Im Geräteinneren befinden sich keine vom Benutzer reparierbaren Teile. Überlassen Sie Reparaturen dem qualifizierten Kundendienst.



Das Blitzsymbol im Dreieck weist den Benutzer darauf hin, dass eine Berührungsgefahr mit nicht isolierten Teilen im Geräteinneren, die eine gefährliche Spannung führen, besteht. Die Spannung ist so hoch, dass hier die Gefahr eines elektrischen Schlages besteht.



Das Ausrufezeichen im Dreieck weist den Benutzer auf wichtige Bedienungs- und Wartungshinweise in den Dokumenten hin, die dem Gerät beiliegen.



Dieses Symbol bedeutet: Nur innerhalb von Räumen verwenden.



Dieses Symbol bedeutet: Achtung! Bedienungsanleitung lesen!



Dieses Symbol bedeutet: Klasse I Klassifizierung



Dieses Symbol gibt an: der minimale Abstand von beleuchteten Gegenständen. Der minimale Abstand zwischen Projektor und dem beleuchteten Gegenstand muss mehr als 0,5 Meter betragen.

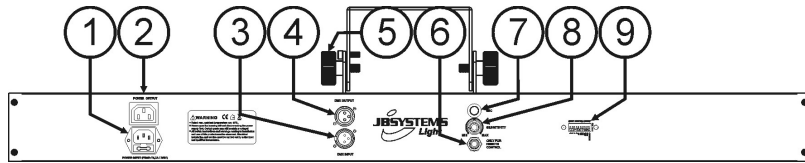


Die Vorrichtung ist geeignet zur Installation auf gängigen entflammaren Oberflächen. Gängige entflammare Oberflächen umfassen Baumaterialien wie Holz oder holzhaltige Baustoffe mit einer Dicke von über 2mm.

- Aus Umweltschutzgründen Verpackung bitte wiederverwenden oder richtig trennen.
- Zur Vermeidung von Stromschlag oder Feuer, Gerät bitte nicht Regen oder Feuchtigkeit aussetzen.
- Zur Vermeidung von Kondensation im Inneren des Geräts bitte nach dem Transport in eine warme Umgebung einige Zeit zum Temperatenausgleich ausgeschaltet stehen lassen. Kondensation kann zu Leistungsverlust des Geräts oder gar Beschädigung führen.
- Gerät nicht im Freien und in feuchten Räumen und Umgebungen verwenden.
- Keine Metallgegenstände oder Flüssigkeiten ins Innere des Geräts gelangen lassen, Kurzschluss oder Fehlfunktion können die Folge sein. Falls es doch einmal vorkommen sollte, bitte sofort Netzstecker ziehen und vom Stromkreis trennen.
- Gerät nur in gut belüfteter Position und entfernt von entflammaren Materialien oder Flüssigkeiten betreiben. Mindestabstand an allen Seiten soll mindestens 50 cm betragen.
- Ventilationsöffnungen nicht abdecken, da Überhitzungsgefahr!
- Nicht in staubiger Umgebung verwenden und regelmäßig reinigen.
- Für Kinder unerreichbar aufbewahren.
- Unerfahrene Personen sollen das Gerät nicht bedienen.
- Umgebungstemperatur darf 40°C nicht überschreiten.
- Sicherstellen, dass sich während des Auf- und Abbaus keine unbefugten Personen unterhalb des Geräts befinden.
- Stets Netzstecker ziehen, wenn Gerät für längeren Zeitraum nicht genutzt oder es gewartet wird.
- Elektrische Anschlüsse nur durch qualifiziertes Fachpersonal überprüfen lassen.
- Sicherstellen, dass Netzspannung mit Geräteaufkleber übereinstimmt.
- Gerät nicht mit beschädigtem Netzkabel betreiben. Ist die Zugangsleitung beschädigt, muss diese durch den Hersteller, seinen Vertrieb oder durch eine qualifizierte Person ersetzt werden.
- Netzkabel nicht mit anderen Kabeln in Berührung kommen lassen!
- Zur Einhaltung der Sicherheitsbestimmungen muss das Gerät geerdet sein.
- Gerät nicht an einen Dimmer anschließen.
- Ausschließlich vorschriftsmäßige Kabel zur Installation verwenden.
- Gerät nicht öffnen.
- Sicherung niemals reparieren oder überbrücken, sondern immer durch gleichartige Sicherung ersetzen!
- Bei Fehlfunktion Gerät nicht benutzen und sich mit Händler in Verbindung setzen.
- Bei sichtbaren Beschädigungen müssen Gehäuse und Optik ersetzt werden.
- Bei Transport bitte Originalverpackung verwenden, um Schäden am Gerät zu vermeiden.
- Aus Sicherheitsgründen dürfen an dem Gerät keine unbefugten Veränderungen vorgenommen werden.

**Wichtiger Hinweis:** Nicht direkt in die Lichtquelle blicken! Gerät nicht verwenden, wenn sich Personen im Raum befinden, die unter Epilepsie leiden.

## BESCHREIBUNG



1. Netzanschluss mit IEC Buchse zum Anschluss an die Steckdose.
2. Netzausgang mit IEC Stecker: Sie können mit dem optionalen IEC Kabel diesen Netzausgang mit dem Netzeingang des nächsten Gerät verbinden (max 51 LED QUADRA BEAM)
3. DMX-Eingang: 3-poliger XLR-Stecker zum Anschließen von gängigen DMX-Kabeln. Dieser Eingang erhält Befehle von einem DMX-Controller oder im Master/Slave-Modus von einem anderen LED QUADRA BEAM.
4. DMX-Ausgang: 3-polige XLR-Buchse zum Anschließen des LED QUADRA BEAM an das nachfolgende Gerät in der DMX-Kette oder im Master/Slave-Modus an einen anderen LED QUADRA BEAM.
5. Halter mit zwei Schrauben auf jeder Seite und einem Montierloch um das Gerät in eine Montagevorrichtung zu bringen.
6. 1/4" Buchse zum Anschluss eines optionalen CA-8-Controllers
7. Eingebautes Mikrofon
8. Empfindlichkeit für Audio-Pegel.
9. DIP-Schalter zur Einstellung der DMX-Startadresse des Geräts.

## ÜBERKOPF-MONTAGE

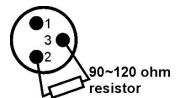
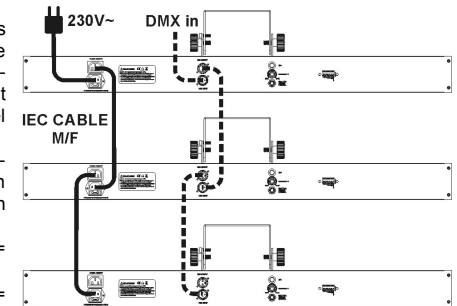
- **Wichtig:** Montage ausschließlich durch qualifiziertes Fachpersonal durchführen lassen. Unvorschriftsmäßiger Einbau kann erhebliche Verletzungen und/oder Schäden verursachen. Überkopf-Montage verlangt entsprechende Erfahrung! Belastungsgrenzen müssen beachtet werden, geeignetes Installationsmaterial muss verwendet werden und das installierte Gerät muss in regelmäßigen Abständen überprüft werden.
- Sicherstellen, dass sich keine unbefugten Personen unterhalb des Geräts befinden, während es installiert oder gewartet wird.
- Gerät in gut belüfteter Position installieren, weit entfernt von entflammaren Materialien und/oder Flüssigkeiten. Einen Seitenabstand von **mindestens 50cm** einhalten.
- Gerät außerhalb der Reichweite von Personen und nicht in niedrigen Durchgängen oder in der Nähe von Sitzgelegenheiten installieren.
- Vor Montage sicherstellen, dass die gewählte Position wenigstens das 10-fache Gerätegewicht aufnehmen kann.
- Zur Aufhängung stets geeignetes Befestigungsmaterial verwenden, das das 12-fache Gerätegewicht aushalten kann. Eine zweite Sicherungsaufhängung muss angebracht werden, die ein Absacken des Geräts von mehr als 20 cm verhindert, sollte die Befestigung brechen.
- Gerät gut befestigen. Eine freischwingende Aufhängung ist gefährlich und sollte auf gar keinen Fall in Betracht gezogen werden!
- Ventilationsöffnungen nicht abdecken, da Überhitzungsgefahr!
- Betreiber muss sicherstellen, dass die sicherheitsrelevanten und technischen Installationen vor Erstbetrieb fachmännisch vorgenommen worden sind.
- Installationen sollten jährlich durch qualifiziertes Fachpersonal inspiziert werden, um jederzeit einen sicheren Betrieb zu gewährleisten.

## ELEKTROINSTALLATION + ADDRESSIERUNG

**Wichtig:** Die Elektroinstallation sollte nur von Fachleuten in Übereinstimmung mit den in Ihrem Land geltenden Bestimmungen für elektrische und mechanische Sicherheit ausgeführt werden.

### Elektroinstallation im DMX-Modus:

- Das DMX-Protokoll ist ein gängiges Hochgeschwindigkeitssignal, um intelligente Lichtsysteme zu steuern. Sie müssen Ihren DMX-Controller und alle angeschlossenen Geräte mit einem hochwertigen symmetrischen Kabel hintereinander schalten (daisy chain).
- Es werden sowohl XLR-3pin als auch XLR-5pin-Stecker benutzt, allerdings ist der XLR-3pin gängiger, da diese Kabel mit symmetrischen Audiokabel kompatibel sind.  
Stifanordnung XLR-3pin: Pin1 = GND ~ Pin2 = Negatives Signal (-) ~ Pin3 = Positives Signal (+)  
Stifanordnung XLR-5pin: Pin1 = GND ~ Pin2 = Negatives Signal (-) ~ Pin3 = Positives Signal (+) ~ Pins4+5 werden nicht verwendet
- Um durch Interferenzen verursachte Fehlfunktionen der Lichteffekte zu vermeiden, müssen Sie einen 90Ω bis 120Ω Abschlusswiderstand am Ende der Kette einsetzen. Verwenden Sie niemals Y-Splitter Kabel, das funktioniert nicht!
- Stellen Sie sicher, dass alle Geräte ans Netz angeschlossen sind.
- Jeder Lichteffekt in der Kette muss seine eigene Startadresse haben, damit er erkennt, welche Befehle des Controllers er entschlüsseln muss. Im folgenden Abschnitt erhalten Sie eine Anleitung zum Einstellen der DMX-Adressen.



### Einstellen der DIP-Schalter, um die richtige Startadresse zu erhalten:

Bitte im nachstehend Kapitel (DMX-512 Adresse einstellen) nachlesen, wie die Startadresse eingestellt wird. Die Startadresse jedes einzelnen Geräts ist ausgesprochen wichtig. Unglücklicherweise ist es unmöglich, Ihnen in dieser Bedienungsanleitung zu erklären, welche Startadresse Sie einzustellen haben. Das hängt vollständig von dem verwandten Controller ab... Also, bitte lesen Sie in der Bedienungsanleitung Ihres DMX Controllers nach, wie die Startadresse einzustellen ist.

#### Beispiel für verschiedene Kanal-Konfigurationen:

- **1 Kanal-Modus:** 001 (gerät 1), 002 (gerät 2), 003 (gerät 3), ... → Abständen von 1 Kanal
- **6 Kanal-Modus:** 001 (gerät 1), 007 (gerät 2), 013 (gerät 3), ... → Abständen von 6 Kanälen

Jeder der ersten 9 DIP-Schalter entspricht einem bestimmten DMX-Wert. DIP-Schalter 10 wird verwendet für verschiedene Kanal-Konfigurationen: 1 Kanal oder 6 Kanäle

DIP	#1	#2	#3	#4	#5	#6	#7	#8	#9	#10
Wert	1	2	4	8	16	32	64	128	256	ON = 1CH mode OFF = 6CH mode

Sie können die Werte dieser Schalter kombinieren, um gleich welche Startadresse zwischen 1 und 512 zu erhalten:

- |                     |                         |                         |
|---------------------|-------------------------|-------------------------|
| Anfangsadresse = 01 | → Schalter 1=ON         | Werte: 1                |
| Anfangsadresse = 05 | → Schalter 1+3=ON       | Werte: 1+4 = 5          |
| Anfangsadresse = 09 | → Schalter 1+4=ON       | Werte: 1+8 = 9          |
| Anfangsadresse = 13 | → Schalter 1+3+4=ON     | Werte: 1+4+8 = 13       |
| ...                 |                         |                         |
| Anfangsadresse = 62 | → Schalter 2+3+4+5+6=ON | Werte: 2+4+8+16+32 = 62 |

## BEDIENUNG DES GERÄTS

### 1. Standalone 1 Gerät:

**Wichtig:** die DMX-Adresse MUSS auf 001 eingestellt sein. (erster DIP-Schalter = ON, alle anderen sind OFF) Schließen Sie die Einheit einfach ans Netz und schalten Sie Musik ein. Die Einheit beginnt automatisch im Takt der Musik zu arbeiten.

Wenn Sie auch DIP-Schalter 10 einsetzen arbeitet das Gerät automatisch auf vorprogrammierte Geschwindigkeit.

### 2. Zwei oder mehr Geräte in der Master/Slave-Einstellung:

Verbinden Sie 2 oder mehr Einheiten miteinander und verwenden Sie dabei hochwertige symmetrische XLR Mikrofon kabel. Die Einheit, die kein Kabel an ihrem Eingang angeschlossen hat, funktioniert als Master, die anderen sind die Slave-Einheiten.

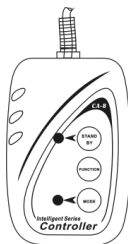
**Wichtig:** An der Master-Einheit MUSS die DMX-Adresse auf 000 eingestellt sein.

Sie können das Verhalten eines oder mehrerer Slave-Einheiten umkehren, indem Sie die Position des DIP-Schalters Nr. 10 auf diesen Slaves ändern. Versuchen Sie es einfach und schauen Sie, ob ein besserer Effekt erreicht wird.

### 3. Schließen Sie den optionalen CA-8-Controller für mehr Steuerfunktionen an:

Der CA-8-Controller kann nur im Standalone oder Master/Slave-Modus verwendet werden. Schließen Sie den Controller an den Buchseneingang des ersten Geräts (Master) an. Jetzt können Sie alle angeschlossenen Geräte steuern:

<b>Stand by</b>	Blackout des Geräts	
<b>Function</b>	10. Synchroner Strobe 11. Sound Strobe 12. 2 Light Strobe	Wählen Sie eine Show
<b>Mode</b>	Strobe (LED OFF)	Show (LED ON)



### 4. DMX-Modus:

Wenn die Geräte im DMX-Modus angeschlossen sind, können sie gemäß dem folgenden DMX-Diagramm gesteuert werden:

**Zwei DMX-Modi sind verfügbar: 1CH und 6CH- Modus:**

#### 1-Kanal-Modus:

Sehr Benutzerfreundlicher Modus: Sie benötigen nur ein DMX Kanal um einen von 12 vorprogrammierten Chases auszuwählen oder Sie können den Effekt Commander zum ein- und ausschalten benutzen (Sie benötigen kein Switch Pack).

#### 6-Kanal-Modus:

Für komplette Steuerung.

- Kanal 1: Schalten Sie das Gerät ein / aus und wählen Sie 1 von 12 Lauflichter.
- Kanal 2: Steuerung für die Blitz-Funktion
- Kanal 3: Kontrollieren Sie die Ausgangspegel für die roten LEDs
- Kanal 4: Kontrollieren Sie die Ausgangspegel für die grüne LEDs
- Kanal 5: Kontrollieren Sie die Ausgangspegel für die blauen LEDs
- Kanal 6: Allgemeine Dimmer

### 1 KANAL MODUS

Ch1	6 KANAL MODUS					
Chase	Ch1	Ch2	Ch3	Ch4	Ch5	Ch6
	Chase	Strobe	Red	Green	Blue	Dimmer
	250-255 Random Chase		255 100%	255 100%	255 100%	255 100%
250-255 Random Chase	240-249 Chase 24	10-255	255 100%	255 100%	255 100%	255 100%
230-249 Chase 11	230-239 Chase 23					
210-229 Chase 10	220-229 Chase 22					
190-209 Chase 9	210-219 Chase 21					
170-189 Chase 8	200-209 Chase 20					
150-169 Chase 7	190-199 Chase 19					
130-149 Chase 6	180-189 Chase 18					
110-129 Chase 5	170-179 Chase 17					
090-109 Chase 4	160-169 Chase 16					
070-089 Chase 3	150-159 Chase 15					
050-069 Chase 2	140-149 Chase 14					
030-049 Chase 1	130-139 Chase 13					
000-029 OFF	120-129 Chase 12					
	110-119 Chase 11					
	100-109 Chase 10					
	090-099 Chase 9					
	080-089 Chase 8					
	070-079 Chase 7					
	060-069 Chase 6					
	050-059 Chase 5					
	040-049 Chase 4					
	030-039 Chase 3					
	020-029 Chase 2					
	010-019 Chase 1					
	000-009 Function					

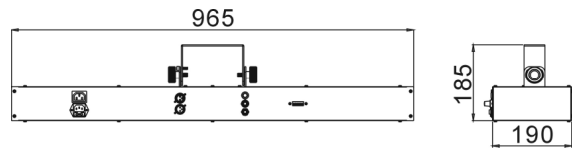
## WARTUNG UND INSTANDHALTUNG

- Sicherstellen, dass sich keine unbefugten Personen unterhalb des Geräts befinden, während es gewartet wird.
- Gerät ausschalten, Netzstecker ziehen und warten, bis es sich abgekühlt hat.
- **Während der Wartung sind folgende Punkte ganz besonders zu beachten:**
- Sämtliche Schrauben zur Installation und Befestigung jeglicher Teile müssen fest angezogen und rostfrei sein.
- Gehäuse, Befestigungsmaterialien und Aufhängungen (Decke, Balken, abgehangte Decken) dürfen keine Anzeichen von Verformung aufweisen.
- Ist die Optik sichtbar beschädigt (Sprünge oder tiefe Kratzer), dann müssen die entsprechenden Teile ausgewechselt werden.
- Netzkabel muss stets in einwandfreiem Zustand sein und selbst bei kleinsten Beschädigungen erneuert werden.
- Zur Vermeidung von Überhitzung müssen die Ventilatoren (sofern vorhanden) und Lüftungsschlitze monatlich gereinigt werden.
- Gerät innen mindestens einmal pro Jahr mit Staubsauger oder Airjet reinigen.
- Reinigung der inneren und äußeren optischen Linsen und/oder Spiegel müssen in regelmäßigen Abständen zur Beibehaltung einer optimalen Lichtausbeute vorgenommen werden. Reinigungsintervalle hängen stark von der Umgebung ab: feuchte, verrauchte und besonders verschmutzte Umgebung führen zu größerer Verschmutzung auf den Linsen.
  - Mit weichem Tuch und gewöhnlichem Glasreiniger säubern.
  - Alle Teile stets gut abtrocknen.
  - Äußere Optik mindestens alle 30 Tage säubern.
  - Innere Optik mindestens alle 90 Tage säubern.

**Achtung:** Wir empfehlen dringend, Reinigung im Innern des Geräts nur von qualifiziertem Personal durchführen zu lassen!

## TECHNISCHE EINZELHEITEN

Netzspannung:	≈ 100V bis 240V, 50/60Hz
Stromverbrauch:	12 Watt
Sicherung:	250V / 6,3A langsame Sicherung (20mm Glas)
Klangregler:	Eingebautes Mikrofon
DMX Anschlüsse:	3-pin XLR Stecker/Buchse
DMX Kanäle:	1 oder 6
Lichtquelle:	256 LEDs (R96 + G96 + B64)
Abmessungen:	965 x 190 x 82cm
Gewicht:	6,4 kg



Technische Änderungen können auch ohne Vorankündigung vorgenommen werden!  
 Sie können sich die neueste Version dieses Benutzerhandbuches von unserer Website herunterladen: [www.beglec.com](http://www.beglec.com)

## MANUAL DE INSTRUCCIONES

Gracias por la compra de este producto JB Systems®. Para sacar todo el rendimiento de las posibilidades de este aparato y por su propia seguridad, por favor lea este manual de instrucciones con mucho cuidado antes de utilizar esta unidad.

### CARACTERÍSTICAS

Esta unidad no interfiere con señales de radio. Este producto cumple las exigencias de las directrices actuales Europeas y nacionales. Se ha establecido conformidad y las declaraciones y documentos relevantes se han depositado por el fabricante.

- Este aparato ha sido diseñado para producir efecto de iluminación decorativa y se usa en sistemas de iluminación de espectáculos.
- Efecto de escaneo de LED muy dinámico con haz potente
- Basado en clusters de 4 LED con 256 LEDs potentes (R=96 + G=96 + B=64):
  - Colores extremadamente brillantes en comparación con los efectos de lámparas halógenas
  - Haces tipo láser azul, rojo y verde muy nítidos
  - ¡No hay que sustituir la lámpara!
  - Virtualmente no producen calor y el consumo de energía es muy bajo
- 0-100% regulación de intensidad luminosa y función estroboscópica ultra rápida
- Excelentes programas incorporados para espectáculos de luces maravillosos en constante cambio:
  - Control DMX: 1 canal para fácil operación o 6 canales para controlar totalmente los 4 clusters de LED
  - Independiente: sonido activado con el micrófono interno
  - Maestro/esclavo: espectáculos perfectamente sincronizados
  - Controlador remoto CA-8 opcional disponible
- Entradas/salidas IEC de corriente para enlazar fácilmente utilizando los cables IEC opcionales
- Perfecto para diferentes aplicaciones: discotecas, clubs, DJs portátiles, ...

### ANTES DEL USO

- Antes de utilizar esta unidad, por favor compruebe que no hay daños causados por el transporte. En caso contrario, no utilice este aparato y consulte a su vendedor.
- **Importante:** Este aparato salió de la empresa en perfecto estado y bien empaquetado. Es absolutamente necesario por parte del usuario seguir estrictamente las instrucciones de seguridad y advertencias de este manual. Cualquier daño causado por manejo inadecuado no estará sujeto a la garantía. El vendedor no aceptará responsabilidad por ningunos defectos o problemas que resulten de ignorar este manual del usuario.
- Mantenga este folleto en un lugar seguro para consultas futuras. Si vende esta instalación, asegúrese de añadir este manual de usuario.
- Para proteger el medio ambiente, por favor intente reciclar el material de empaquetado tanto como sea posible.

#### Compruebe el contenido:

Compruebe que la caja contiene los siguientes ítems:

- Instrucciones de manejo
- LED QUADRA BEAM
- Cable de alimentación

### INSTRUCCIONES DE SEGURIDAD:



**PRECAUCIÓN:** Para reducir el riesgo de electrocución, no quite la cubierta superior. Ninguna pieza usable adentro para el utilizador. Dirijase únicamente a personal cualificado.





El símbolo de un rayo en el interior de un triángulo alerta sobre la presencia o el uso de elementos no aislados donde un voltaje peligroso constituye un riesgo grande para causar una eventual electrocución.



El punto de exclamación en el interior de un triángulo alerta al usuario sobre la presencia de importantes instrucciones de operación y de mantenimiento tenidas en cuenta en el manual de uso.



Este símbolo significa : uso para el interior solamente.



Este símbolo significa : Lea las instrucciones.



Este símbolo significa: Aplicaciones de la clase I



Este símbolo se determina: la distancia mínima de objetos iluminados. La distancia mínima entre el proyector y el objeto iluminado debe ser más de 0,5 metro.

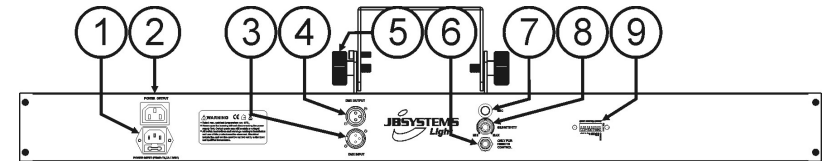


El dispositivo es adecuado para su montaje en superficies inflamables estándar. Las superficies inflamables estándar incluyen materiales de construcción como madera y materiales derivados de la madera de más de 2 mm de espesor.

- Afín de evitar todo riesgo de incendio o electrocución, no exponer el aparato a la lluvia o ambiente húmedo.
- Para evitar fuego o riesgos de descargas no exponga este aparato a la lluvia o humedad.
- Para evitar que se forme condensación en el interior, permita que la unidad se adapte a las temperaturas circundantes cuando la lleve a una habitación cálida después de transporte. Condensación algunas veces impide que la unidad funcione a rendimiento pleno o puede incluso causar daños.
- Esta unidad es sólo para uso interior.
- No coloque objetos metálicos o derrame líquidos dentro de la unidad. Podría resultar descarga eléctrica o mal funcionamiento. Si un objeto extraño entrara en la unidad, desconecte inmediatamente la fuente de alimentación.
- Coloque la instalación en un lugar bien ventilado, alejado de cualquier material inflamable y/o líquidos. La instalación debe ser fijada al menos a 50 cm. de distancia de los muros circundantes.
- No cubra ninguna apertura de ventilación ya que esto podría resultar en sobrecalentamiento.
- Evite su uso en ambientes polvorientos y limpie la unidad regularmente.
- Mantenga la unidad alejada de los niños.
- Personas sin experiencia no deberían manejar este aparato.
- La temperatura máxima de ambiente es 40°C. No use esta unidad a temperaturas más elevadas.
- Asegúrese de que el área por debajo del sitio de instalación está libre de personas ajenas durante el montaje, desmontaje y reparación.
- Siempre desenchufe la unidad cuando no la use por un periodo de tiempo largo o antes de comenzar una reparación.
- La instalación eléctrica debería ser llevada a cabo sólo por personal cualificado, acorde a las regulaciones para seguridad eléctrica y mecánica de su país.
- Compruebe que el voltaje disponible no es superior al que aparece en el panel trasero de la unidad.
- El cable de alimentación debería estar siempre en perfectas condiciones: apague el aparato inmediatamente cuando el cable de alimentación esté roto o dañado. Debe ser sustituido por el fabricante, su servicio técnico o otra persona cualificada.
- ¡Nunca deje el cable de alimentación entrar en contacto con otros cables!
- Esta instalación debe ser conectada a tierra para cumplir con las regulaciones de seguridad.
- No conecte la unidad a ningún paquete de reducción de luz.
- Siempre use un cable de seguridad apropiado y certificado cuando instale la unidad.
- Para prevenir descargas eléctricas, no abra la tapa. No hay partes que puedan ser reparadas por el usuario en su interior.
- **Nunca** repare un fusible o haga un bypass al fusible. ¡Siempre sustituya el fusible dañado por un fusible del mismo tipo y especificaciones eléctricas!
- En el caso de problemas serios de manejo, deje de usar la instalación y contacte con su vendedor inmediatamente.
- La carcasa y las lentes deben ser cambiadas si hay daño visible.
- Por favor, use el empaquetado original cuando el aparato deba ser transportado.
- Debido a motivos de seguridad está prohibido hacer modificaciones sin autorizar a la unidad.

**Importante:** ¡Nunca mire directamente a la fuente de luz! No use el efecto en presencia de personas que sufran de epilepsia.

## DESCRIPTION:



1. Entrada de red eléctrica con toma IEC: conecte el cable de red aquí suministrado.
2. Toma de salida con enchufe IEC: para facilitar el encadenamiento puede utilizar un cable de alimentación IEC para conectar esta salida con la red de entrada del próximo unidad (max. 51 LED QUADRA BEAM)
3. Entrada DMX: El conector macho XLR de 3 clavijas se utiliza para conectar cables DMX universales. Esta entrada recibe instrucciones de un controlador DMX o de otro LED QUADRA BEAM cuando se utiliza en modo maestro/esclavo.
4. Salida DMX: Se utiliza un conector XLR hembra de 3 pines para conectar el LED QUADRA BEAM con el siguiente aparato DMX en la cadena o con otro LED QUADRA BEAM cuando se utiliza en modo maestro/esclavo.
5. Soporte colgante dos perillas a ambos lados para sujetar la unidad y un agujero de montaje para instalar el gancho de montaje.
6. Jack 1/4" se utiliza para conectar el controlador CA-8 opcional
7. Micrófono interno
8. Sensibilidad de control de nivel de audio.
9. Interruptores dip se utilizan para establecer la dirección de inicio DMX de la unidad.

## APAREJADO SUPERIOR

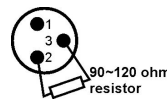
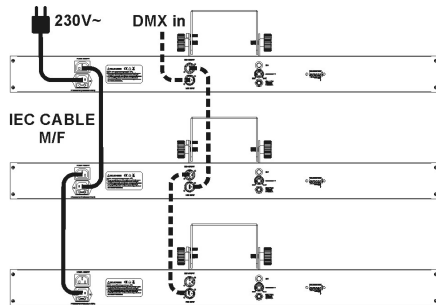
- **Importante:** La instalación debe ser llevada a cabo sólo por personal cualificado. Una instalación impropia podría resultar en serias heridas y/o daño a la propiedad. ¡El aparejado superior requiere una larga experiencia! Los límites de las cargas de trabajo deben respetarse, materiales certificados de instalación deben ser usados, el aparato instalado debería ser inspeccionado regularmente por seguridad.
- Asegúrese de que el área por debajo del sitio de instalación está libre de personas ajenas durante el montaje, desmontaje y reparación.
- Coloque la instalación en un sitio bien ventilado, lejos de cualquier material inflamable y/o líquidos. La instalación debe ser fijada **al menos a 50cm** de los muros circundantes.
- El aparato debería ser instalado fuera del alcance de la gente y fuera de áreas donde personas puedan caminar o sentarse.
- Antes del aparejado asegúrese de que el área de instalación puede soportar un mínimo punto de carga de 10 veces el peso del aparato.
- Siempre use un cable de seguridad certificado que pueda sostener 12 veces el peso del aparato. Este añadido secundario de seguridad debería ser instalado de una forma que no hubiera parte de la instalación que pudiera caer más de 20cm si el añadido principal falla.
- El aparato debe ser bien fijado, ¡un montaje que se mueva con libertad es peligroso y no debe considerarse!
- No cubra ninguna apertura de ventilación ya que esto podría resultar en sobrecalentamiento.
- El operador tiene que asegurarse de que las instalaciones relativas a seguridad, maquinaria y técnica están aprobadas por un experto antes de usarlas la primera vez. Las instalaciones deberían ser inspeccionadas cada año por una persona con conocimientos para asegurar que la seguridad es todavía óptima.

## INSTALACIÓN ELÉCTRICA + DIRECCIONAMIENTO

**Importante:** La instalación eléctrica debe ser realizada exclusivamente por personal cualificado, según las normas de seguridad eléctrica y mecánica en vigor en su país.

### Instalación eléctrica en modo DMX:

- El protocolo DMX es una señal de alta velocidad muy utilizada para controlar equipamiento de iluminación inteligente. Necesita "encadenar" su controlador DMX y todas las unidades conectadas con un cable balanceado de buena calidad.
- Se utilizan tanto los conectores XLR-3PIN como XLR-5PIN, sin embargo XLR-3pin es más popular porque estos cables son compatibles con los cables balanceados de audio.  
Disposición XLR-3pin: Pin1 = GND ~ Pin2 = señal Negativa (-) ~ Pin3 = señal Positiva (+)  
Disposición XLR-5pin: Pin1 = GND ~ Pin2 = señal Negativa (-) ~ Pin3 = señal Positiva (+) ~ Pins4+5 no usado.
- Para evitar un funcionamiento anormal de los efectos de luz debidos a interferencias, debe usar un terminal de 90Ω a 120Ω al final de la cadena. No use nunca cables divisores en Y, no funcionará.
- Asegúrese de que todas las unidades estén conectadas a la corriente.
- Cada efecto de luz de la cadena necesita una dirección de inicio adecuada de modo que detecte las informaciones del controlador. En la sección siguiente aprenderá a establecer las direcciones DMX.



### Ajuste de los interruptores DIP para que puedan obtener la dirección de inicio correcta:

Consulte el capítulo siguiente (ajuste de dirección DMX-512) para saber cómo ajustar la dirección de inicio en esta unidad. La dirección de inicio de cada unidad es muy importante. Lamentablemente es imposible decirle en este manual de usuario qué dirección de inicio debe ajustar porque esto dependerá completamente del controlador que utilice... Consulte el manual de usuario de su controlador DMX para saber que direcciones de inicio debe ajustar.

### Ejemplo de configuración de diferentes configuraciones de canal:

- 1 Canal:** 001 (unidad 1), 002 (unidad 2), 003 (unidad 3), ... → intervalos de 1 canal
- 6 Canales:** 001 (unidad 1), 007 (unidad 2), 013 (unidad 3), ... → intervalos de 6 canales

Cada uno de los 9 interruptores DIP corresponden a cierto valor DMX, DIP-switch-10 se utiliza para cambiar entre el modo de 1CH y el modo de 6CH:

DIP	#1	#2	#3	#4	#5	#6	#7	#8	#9	#10
Valor	1	2	4	8	16	32	64	128	256	ON = modo 1 canal OFF = modo 6 canales

Puede combinar los valores de estos interruptores para que se conviertan en cualquier dirección de inicio entre 1 y 512:

- Dirección de inicio = 01 → interruptor 1=ON valores: 1
- Dirección de inicio = 05 → interruptor 1+3=ON valores: 1+4 = 5
- Dirección de inicio = 09 → interruptor 1+4=ON valores: 1+8 = 9
- Dirección de inicio = 13 → interruptor 1+3+4=ON valores: 1+4+8 = 13
- ...
- Dirección de inicio = 62 → interruptor 2+3+4+5+6=ON valores: 2+4+8+16+32 = 62

## MANEJO DE LA UNIDAD

### 1. 1 unidad independiente:

**Importante:** la dirección DMX DEBE establecerse en 001. (primer interruptor DIP = ON (CONECTADO), todos los demás están OFF Conecte la unidad a la red eléctrica y ponga algo de música. La unidad comenzará a funcionar automáticamente al ritmo de la música.

Cuando se cambia también SWITCH ON 10, la unidad comenzará a trabajar de forma automática a la velocidad preprogramado..

### 2. Dos o más unidades en configuración maestra/esclava:

Conecte 2 o más unidades juntas mediante cables de micrófono XLR equilibrados de buena calidad. La unidad que no disponga de cable conectado a su entrada actuará como "maestra", las otras serán unidades esclavas.

**Importante:** En la unidad maestra la dirección DMX DEBE establecerse en 000.

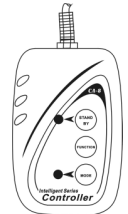
Establezca la dirección DMX de la unidad de esclavos 1 a 001.

Puede invertir el comportamiento de una o más unidades esclavas cambiando la posición del interruptor DIP núm. 10 en estas unidades esclavas. Inténtelo y compruebe si el efecto mejora.

### 3. Conexión del controlador CA-8 para obtener más control:

El controlador CA-8 sólo puede utilizarse en modalidad independiente, maestra/esclava. Conecte el controlador a la entrada jack de la primera unidad (maestra). Ahora puede controlar todas las unidades conectadas:

Stand by	Oscurece la unidad	
Function	13. Estroboscópica sincronizada 14. Estroboscópica sonido 15. Estroboscópica alternativa	seleccionar un programa
Mode	Strobe (LED apagado)	Show (LED encendido)



### 4. Modo DMX:

Cuando las unidades están conectadas en modo DMX, pueden controlarse mediante la siguiente tabla DMX:

#### Hay disponibles 2 modos DMX: Modo 1CH y 6CH:

##### Modo 1 canal:

Este modo es muy fácil al uso: solamente se necesita 1 canal DMX para elegir 1 de los 12 sound chases preprogramados con el uso posible de nuestro Effect Commander para encender/apagar la unidad (switch pack no es necesario).

##### Modo de 6 canales:

Usted puede tomar el control total de todas las funciones del efecto.

- Canal 1: cambiar la unidad de encendido / apagado y seleccione 1 de 25 programas chase.
- Canal 2: Control de la función de estroboscópica.
- Canal 3: Control de la salida de los LEDs rojo.
- Canal 4: Control de la salida de los LEDs verde.
- Canal 5: Control de la salida de los LEDs azules.
- Canal 6: El regulador de control general.

#### MODO DE 1 CANAL

Ch1	MODO DE 4 CANALES					
Chase	Ch1	Ch2	Ch3	Ch4	Ch5	Ch6
250-255 Random Chase	Chase	Strobe	Red	Green	Blue	Dimmer
250-255 Random Chase	250-255 Random Chase					
230-249 Chase 11	240-249 Chase 24					
210-229 Chase 10	230-239 Chase 23					
190-209 Chase 9	220-229 Chase 22					
170-189 Chase 8	210-219 Chase 21					
150-169 Chase 7	200-209 Chase 20					
130-149 Chase 6	190-199 Chase 19					
110-129 Chase 5	180-189 Chase 18					
090-109 Chase 4	170-179 Chase 17					
070-089 Chase 3	160-169 Chase 16					
050-069 Chase 2	150-159 Chase 15	10-255	0L 0%	0L 0%	0L 0%	0L 0%
030-049 Chase 1	140-149 Chase 14	0-9	0L 0%	0L 0%	0L 0%	0L 0%
000-029 OFF	130-139 Chase 13	Stop	0L 0%	0L 0%	0L 0%	0L 0%
	120-129 Chase 12					
	110-119 Chase 11					
	100-109 Chase 10					
	090-099 Chase 9					
	080-089 Chase 8					
	070-079 Chase 7					
	060-069 Chase 6					
	050-059 Chase 5					
	040-049 Chase 4					
	030-039 Chase 3					
	020-029 Chase 2					
	010-019 Chase 1					
	000-009 Function					

## MANTENIMIENTO

- Asegúrese de que el área por debajo del sitio de instalación está libre de personas ajenas durante la reparación.
- Apague la unidad, desconecte el cable principal y espere hasta que la unidad se haya enfriado.

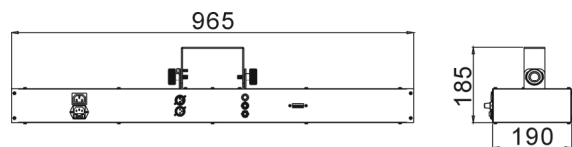
### Durante la inspección los siguientes puntos deben ser comprobados:

- Todos los tornillos usados para la instalación del aparato y cualquiera de sus partes deben ser apretados fuertemente y no pueden estar corroídos.
- Carcasas, fijaciones y puntos de instalación (techos, armaduras, suspensiones) deberán estar totalmente libres de ninguna deformación.
- Cuando una lente óptica esté visiblemente dañada debido a golpes o rayados profundos, debe ser cambiada.
- Los cables principales deben estar en una condición impecable y deben ser cambiados de inmediato cuando incluso un pequeño problema se detecte.
- En orden de proteger al aparato de sobrecalentamiento, los ventiladores de enfriamiento (caso de haberlos) y las aperturas de ventilación deberían ser limpiados mensualmente.
- El interior del aparato debería ser limpiado anualmente usando una aspiradora o máquina de aire.
- La limpieza de lentes y/o espejos internos y externos debe ser llevada a cabo periódicamente para optimizar la salida de luz. La frecuencia de limpieza depende del ambiente en el cual la instalación está funcionando: húmedo, con humo o con alrededores particularmente sucios puede causar una mayor acumulación de polvo en las ópticas de la unidad.
  - Limpie con un trapo suave usando productos limpiadores normales de cristal.
  - Seque siempre las partes cuidadosamente.
  - Limpie las ópticas externas al menos una vez cada 30 días.
  - Limpie las ópticas internas al menos cada 90 días.

**Atención:** ¡Recomendamos con insistencia que la limpieza interna sea llevada a cabo por personal cualificado!

## ESPECIFICACIONES

Alimentación:	AC 100V a 240V, 50/60Hz
Consumo de energía:	12 Watio
Fusible:	250V 6,3Volato lento (cristal de 20mm)
Control de sonido:	Micrófono Interno
Conexiones DMX :	3pin XLR macho / hembra
Canales DMX usados:	1 ou 6 canales
Lámpara:	256 LEDs (R96 + G96 + B64)
Tamaño:	965 x 190 x 82cm
Peso:	6,4kg



Toda la información está sujeta a cambios sin previo aviso

Puede descargar la última versión de este manual de usuario en nuestro sitio web: [www.beglec.com](http://www.beglec.com)

## MANUAL DO UTILIZADOR

Obrigado por ter adquirido este produto da JB Systems®. De modo a tirar total proveito das possibilidades deste produto, por favor leia este manual com atenção.

## CARACTERÍSTICAS

Esta unidade está protegida contra interferências rádio. Este produto cumpre as exigências impostas pelas presentes diretivas nacionais e europeias. A conformidade deste produto foi comprovada e as declarações e documentos relevantes foram efectuados pelo fabricante.

- Esta unidade destina-se a produzir efeitos luminosos decorativos e é utilizada em sistemas de espectáculos de luz.
- Efeito varredor LED muito dinâmico com feixes potentes
- Baseado em 4 grupos de LED com 256 LEDs (Vermelho=96 + Verde=96 + Azul = 64):
  - Cores extremamente brilhantes comparados aos efeitos com lâmpadas de halogéneo
  - Feixes azuis, verdes e vermelhos muito definidos, tipo feixes de laser
  - Sem substituição de lâmpadas
  - Virtualmente sem produção de calor e consumo de potência muito baixo
- Controlo de intensidade 0-100% e função strobe ultra rápida
- Excelentes programas incorporados para espectáculos maravilhosos sempre a mudarem:
  - Controlo DMX: 1 canal para fácil operação ou 6 canais para controlo total dos 4 grupos de LED
  - Autónomo: activado por som activado com microfone interno
  - Master/slave: maravilhosos espectáculos sincronizados
  - Disponível como opcional o controlo remoto CA-8
- Entrada/saída IEC para fácil ligação de alimentação usando os cabos IEC opcionais
- Perfeito para diferentes aplicações: discotecas, clubes, dj móveis, ...

## ANTES DE UTILIZAR

- Antes de utilizar esta unidade verifique se existem danos provocados durante o transporte. Caso existam danos aparentes, não utilize a unidade e contacte o seu revendedor.
- **Importante:** Esta unidade deixou a nossa fábrica em perfeitas condições e devidamente embalada. É imprescindível que o utilizador siga as instruções de segurança e avisos descritos neste manual. Quaisquer danos provocados por utilização incorrecta não serão cobertos pela garantia. O revendedor não será responsável por quaisquer danos ou problemas causados pelo incumprimento das instruções deste manual.
- Guarde este manual num local seguro para consulta futura. Caso venda esta unidade, forneça este manual.

### Verifique o conteúdo:

Certifique-se que a caixa contém os seguintes artigos:

- Manual do utilizador
- Unidade LED QUADRA BEAM
- Cabo de alimentação

## INSTRUÇÕES DE SEGURANÇA:



**CAUTION**  
RISK OF ELECTRIC SHOCK  
DO NOT OPEN



**ATENÇÃO:** De forma a evitar o risco de choque eléctrico, não remova peças da unidade. Não tente fazer reparações. Contacte pessoal qualificado



O símbolo composto por um triângulo equilátero com um relâmpago no interior alerta para a presença de voltagem perigosa não isolada no interior do produto que poderá constituir risco de choque eléctrico.



O símbolo composto por um triângulo equilátero com um ponto de exclamação alerta o utilizador para a presença de instruções importantes de utilização e manutenção do produto.



Este símbolo significa: utilização unicamente em espaços fechados



Este símbolo significa: Leia instruções



Este símbolo significa: Aparelho Classe I



Este símbolo determina: a distância mínima dos objetos iluminados. A distância mínima entre o projetor e o objeto iluminado deve ser mais de 0,5 medidor

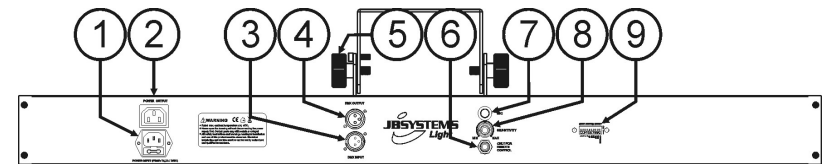


Este produto é adequado para montagem em superfícies inflamáveis standard. Na categoria de superfícies inflamáveis standard estão incluídos materiais de construção como madeira e materiais baseados em madeira com mais de 2 mm de espessura

- Proteja o ambiente. Recicle o material desta embalagem.
- De modo a evitar risco de fogo ou choque eléctrico, não exponha este produto a chuva ou humidade.
- De forma a evitar a formação de condensação no interior da unidade, ao transportá-la para ambiente quente aguarde algum tempo de modo a que haja uma ambientação à temperatura. A condensação poderá afectar o desempenho da unidade ou até danificá-la.
- Esta unidade destina-se unicamente a utilização em espaços fechados.
- Não introduza objectos de metal nem verta líquidos no interior do produto, correrá risco de choque eléctrico ou poderá danificar o produto. Caso algum objecto estranho entre em contacto com o interior da unidade, desligue-a de imediato da corrente.
- Coloque esta unidade num local arejado, afastado de materiais inflamáveis e/ou líquidos. Esta unidade deverá ser instalada a pelos menos 50cm de distância de paredes circundantes.
- Não cubra os orifícios de ventilação ou a unidade poderá sobreaquecer.
- Evite locais com poeiras. Limpe a unidade regularmente.
- Mantenha esta unidade fora do alcance das crianças.
- Esta unidade deverá ser operada unicamente por pessoas experientes.
- Temperatura ambiente de funcionamento máxima é de 40°C. Não utilize esta unidade a temperaturas ambientes mais elevadas.
- Certifique-se de que não irão passar pessoas sob a área de instalação da unidade durante a instalação e manutenção.
- Desligue sempre a unidade da corrente quando não a utilizar durante longos períodos de tempo, antes de efectuar manutenção.
- A instalação eléctrica deve ser efectuada unicamente por pessoal qualificado, cumprindo os regulamentos de segurança em instalações eléctricas e mecânicas do seu país.
- Certifique-se que a voltagem a utilizar não é superior à voltagem indicada no painel traseiro da unidade.
- O cabo de alimentação deverá estar sempre em perfeitas condições. Desligue a unidade e substitua imediatamente o cabo caso este apresente algum dano. Deverá ser substituído pelo fabricante, pelo agente autorizado ou pessoal qualificado de modo a evitar um acidente.
- Nunca permita que este cabo entre em contacto com outros cabos!
- Esta unidade deverá estar ligada à Terra de forma a respeitar as regras de segurança.
- Não ligue a unidade a reguladores de intensidade.
- Utilize sempre um cabo de segurança aprovado ao instalar a unidade.
- De forma a não correr risco de choque eléctrico não abra a cobertura da unidade. Não existem peças que possam ser substituídas pelo utilizador.
- **Nunca** repare um fusível nem tente operar a unidade sem fusível. Substitua **sempre** um fusível danificado por outro com as mesmas características!
- Em caso de problemas sérios de funcionamento, interrompa a utilização da unidade e contacte imediatamente o seu revendedor.
- A cobertura e as lentes deverão ser substituídas caso apresentem danos visíveis.
- Caso seja necessário transportar a unidade utilize a embalagem original.
- Por motivos de segurança, são proibidas quaisquer alterações não autorizadas à unidade.

**Importante:** Nunca olhe directamente para a luz! Não utilize este efeito luminoso na presença de pessoas epilépticas.

## DESCRIÇÃO:



1. FONTE DE ALIMENTAÇÃO: Conector IEC. Ligue o cabo de alimentação fornecido a este conector.
2. Saída de energia com ficha IEC: pode usar um cabo de energia especial IEC para conectar esta saída com a entrada de energia do próximo LED QUADRA BEAM para uma ligação simplificada. (max 51)
3. Entrada DMX: Conector XLR macho de 3 pinos usado para ligar cabos DMX universais. Esta entrada recebe instruções de um controlador DMX ou de outro LED QUADRA BEAM quando está em modo master/slave.
4. Saída DMX: Conector XLR fêmea 3 pinos usada para conectar o LED QUADRA BEAM com a próxima unidade na cadeia DMX ou com outro LED QUADRA BEAM quando usado em modo master/slave.
5. Suporte de suspensão: Contém 2 parafusos de aperto em ambos os lados para fixar a unidade e um orifício para aplicação de um gancho de montagem.
6. Jack 1/4" usado para conectar o comando opcional CA-8
7. Microfone interno
8. Controle do nível de áudio.
9. Interruptores DIP, usados para definir o endereço inicial da unidade.

## INSTALAÇÃO EM SUSPENSÃO

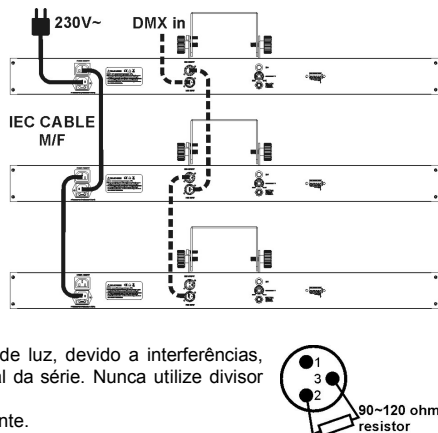
- **Importante:** A instalação deve ser efectuada unicamente por pessoal qualificado. Uma instalação incorrecta pode resultar em ferimentos graves e/ou danos na sua propriedade. Para efectuar uma instalação em suspensão é necessária muita experiência! Respeite os limites de carga, utilize materiais de instalação aprovados e inspecione a unidade instalada regularmente de forma a assegurar a segurança.
- Certifique-se que sob a área de instalação da unidade não irão passar pessoas durante a instalação e manutenção.
- Coloque esta unidade num local arejado, afastada de materiais inflamáveis e/ou líquidos. Esta unidade deverá ser instalada a **pelos menos 50cm** de distância de paredes circundantes.
- A unidade deve ser instalada fora do alcance das pessoas; afastada de áreas onde as pessoas possam passar ou sentar-se.
- Antes de proceder à instalação certifique-se que a área seleccionada pode suportar uma carga mínima de 10 vezes o peso da unidade.
- Na instalação, utilize sempre um cabo de segurança aprovado com capacidade para suportar 12 vezes o peso da unidade. Esta medida de segurança secundária deverá ser instalada de forma a que nenhuma parte da instalação possa cair mais de 20cm caso o ponto de apoio principal ceda.
- A unidade deverá ser fixa firmemente. Uma instalação oscilante pode ser perigosa e não deverá ser efectuada!
- Não cubra os orifícios de ventilação ou a unidade poderá sobreaquecer.
- O utilizador da unidade deverá certificar-se que a instalação é aprovada em termos de segurança e em termos técnicos por uma pessoa qualificada antes de efectuar a primeira utilização. A instalação deverá ser inspecionada todos os anos por um técnico qualificado de forma a certificar-se que a segurança está assegurada.

## INSTALAÇÃO ELÉCTRICA + CONFIGURAÇÃO

- **Importante:** A instalação eléctrica deve ser feita apenas por pessoal qualificado, de acordo com os regulamentos para segurança eléctrica e mecânica no vosso país.

**Instalação eléctrica em modo DMX:**

- O protocolo DMX é um sinal de alta velocidade usado para controlar equipamento inteligente de luz. É necessário ligar em série o vosso controlador DMX a todas as unidades conectadas com um cabo balanceado de boa qualidade
- Ambos os conectores XLR 3 pinos e XLR 5 pinos são usados, mas os XLR 3 pinos são mais populares porque estes cabos são compatíveis com cabos de áudio balanceados.
- Configuração XLR 3 pinos: Pino 1 = Terra ~ Pino 2 = Sinal negativo (-) ~ Pino 3 = Sinal positivo (+)
- Configuração XLR 5 pinos: Pino 1 = Terra ~ Pino 2 = Sinal negativo (-) ~ Pino 3 = Sinal positivo (+) ~ Pinos 4+5 não são usados.
- Para prevenir comportamento estranho dos efeitos de luz, devido a interferências, deverá usar uma resistência de 90Ω a 120Ω no final da série. Nunca utilize divisor de cabo Y, isto simplesmente não funciona!
- Verifique se todas as unidades estão ligadas à corrente.
- Cada efeito de luz na série precisa de ter o seu próprio endereço inicial para saber quais os comandos do controlador que tem de descodificar. Na próxima secção irá aprender como configurar os endereços DMX.



**Como definir os interruptores DIP para obter o endereço inicial correcto:**

Consulte o capítulo próximo (Configuração endereços DMX) para aprender como definir o endereço inicial desta unidade. O endereço inicial de cada unidade é muito importante. Infelizmente é impossível indicar neste manual qual o endereço inicial que deve utilizar porque depende completamente do controlador que irá utilizar... Por isso consulte o manual do seu controlador DMX para descobrir qual o endereço inicial que deverá utilizar.

**Exemplo definições para diferentes configurações de canais:**

- **Modo de canal 1:** 001 (unidade1), 002 (unidade2), 003 (unidade3), ... → intervalos de 1 canal
- **Modo de canal 6:** 001 unidade 1), 007 (unidade 2), 013 (unidade 3), ... → intervalos de 6 canais

Cada um dos primeiros 9 interruptores DIP corresponde a um certo valor DMX, DIP-switch 10 é utilizado para alternar entre o modo 1CH e 6CH:

DIP	#1	#2	#3	#4	#5	#6	#7	#8	#9	#10
Valor	1	2	4	8	16	32	64	128	256	ON = modo 1CH OFF = modo 6CH

Pode combinar os valores destes interruptores para tornar qualquer endereço inicial entre 1 e 512:

- Endereço Inicial = 01 → Interruptor 1=ON valor: 1
- Endereço Inicial = 05 → Interruptor 1+3=ON valor: 1+4 = 5
- Endereço Inicial = 09 → Interruptor 1+4=ON valor: 1+8 = 9
- Endereço Inicial = 13 → Interruptor 1+3+4=ON valor: 1+4+8 = 13
- ...
- Endereço Inicial = 62 → Interruptor 2+3+4+5+6=ON valor: 2+4+8+16+32 = 62

**COMO CONTROLAR A UNIDADE**

**1. 1 unidade autónoma:**

**Importante:** Na unidade Individual o endereço DMX TEM de ser definido para 001. (primeiro interruptor DIP = ON, todos os outros em OFF). Simplesmente conecte a unidade à corrente e ponha alguma música. A unidade irá começar a funcionar automaticamente ao ritmo da música. Quando também liga o interruptor dip 10, a unidade começará a funcionar automaticamente à velocidade pré-programada.

**2. Duas ou mais unidades em modo master/slave:**

Conecte 2 ou mais unidades juntas usando cabos de microfone balanceados de boa qualidade. A unidade que não tem cabo conectado à sua entrada irá reagir como Master, as outras serão as unidades Slave. **Importante:** Na unidade Master o endereço DMX TEM de ser definido para 000. Colocar o endereço DMX da unidade escrava 1 em 001. Pode inverter o comportamento de uma ou mais unidades slave alterando a posição do interruptor DIP n. 10 nas unidades Slave. Experimente e veja se o efeito se torna melhor.

**3. Conecte o comando opcional CA-8 para mais controlo:**

O comando CA-8 pode ser usado apenas em modo autónomo ou master/slave. Conecte o comando à entrada jack da primeira unidade (master). Agora pode controlar todas as unidades que estiverem conectadas:

Stand by	Coloca a unidade em Blackout	
Function	1. Strobe Sincronizado	seleccionar um show
	16. Strobe Som 17. Strobe alternando	
Mode	Strobe (LED desligada)	Show (LED aceso )

**4. Modo DMX**

Quando as unidades estão ligadas em modo DMX, podem ser controladas usando a seguinte tabela DMX:

**2 modos DMX estão disponíveis: Modo 1CH e 6CH:**

**Modo de 1 canal:**

Modo extremamente amigável do utilizador: necessita apenas de 1 canal DMX para escolher 1 das 12 sequências pré programadas que funcionam ao ritmo do som ou pode usar o nosso controlador Effect Commander para ligar / desligar a unidade. (não é necessário switch pack).

**Modo de 6 canais:**

Pode ter o controlo total de todas as funções do aparelho.

- Canal 1: comutar a unidade de ligar / desligar e seleccionar uma das 25 chases.
- Canal 2: Controle para o flash.
- Canal 3: Controle a saída para o LED vermelho.
- Canal 4: Controle a saída para o LED verde.
- Canal 5: Controle de saída para o LED azul.
- Canal 6: Controle de saída para o redutor general.

MODO DE 1 CANAL

MODO DE 6 CANAIS

Ch1	Ch1	Ch2	Ch3	Ch4	Ch5	Ch6
Chase	Chase	Strobe	Red	Green	Blue	Dimmer
250-255 Random Chase	250-255 Random Chase					
230-249 Chase 11	240-249 Chase 24					
210-229 Chase 10	230-239 Chase 23					
190-209 Chase 9	220-229 Chase 22					
170-189 Chase 8	210-219 Chase 21					
150-169 Chase 7	200-209 Chase 20					
130-149 Chase 6	190-199 Chase 19					
110-129 Chase 5	180-189 Chase 18					
090-109 Chase 4	170-179 Chase 17					
070-089 Chase 3	160-169 Chase 16					
050-069 Chase 2	150-159 Chase 15					
030-049 Chase 1	140-149 Chase 14					
000-029 OFF	130-139 Chase 13					
	120-129 Chase 12					
	110-119 Chase 11					
	100-109 Chase 10					
	090-099 Chase 9					
	080-089 Chase 8					
	070-079 Chase 7					
	060-069 Chase 6					
	050-059 Chase 5					
	040-049 Chase 4					
	030-039 Chase 3					
	020-029 Chase 2					
	010-019 Chase 1					
	000-009 Function					

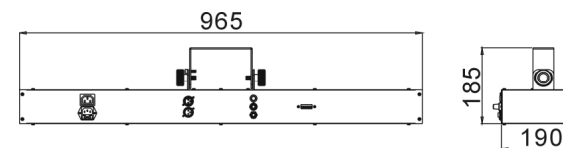
MANUTENÇÃO

- Certifique-se que sob a área de instalação da unidade não irão passar pessoas durante a manutenção.
- Desligue o cabo de alimentação da corrente e aguarde que a unidade arrefeça.
- **Durante a inspeção deverá verificar os seguintes pontos:**
- Todos os parafusos utilizados nas peças da unidade e na instalação deverão estar apertados firmemente e não poderão estar corroídos.
- A cobertura da unidade, os pontos de fixação e as áreas de instalação (tecto, armação, etc.) não deverão apresentar qualquer deformação.
- Caso uma lente apresente danos visíveis como fendas ou riscos profundos, deverá ser substituída imediatamente.
- O cabo de alimentação deverá estar em perfeitas condições e deverá ser substituído assim que for detectado o mais pequeno dano.
- As ventoinhas de arrefecimento (caso existam) e os orifícios de ventilação deverão ser limpos todos os meses de modo a evitar que unidade sobreaqueça.
- Utilize um aspirador ou um compressor de ar para limpar o interior da unidade uma vez por ano.
- De forma a otimizar a projecção de luz, limpe as lentes ópticas internas e externas e/ou espelhos periodicamente. A regularidade das limpezas depende do ambiente em que está instalada a unidade: um ambiente húmido, com fumo ou poeirento dará origem a uma maior acumulação de impurezas nas ópticas da unidade.
  - Utilize um pano macio e um limpa-vidros normal na limpeza da unidade.
  - Seque sempre as peças cuidadosamente.
  - Limpe as ópticas externas pelo menos uma vez em cada 30 dias.
  - Limpe as ópticas internas pelo menos uma vez em cada 90 dias.

**Atenção:** Recomendamos vivamente que a limpeza do interior da unidade seja efectuada por pessoal qualificado!

ESPECIFICAÇÕES

- Fonte de Alimentação: AC 100V ~ 240V, 50/60Hz
- Consumo de potência: 12 Watt
- Fusível: 250V 6,3A Fusão Lenta (20mm vidro)
- Ligações DMX: XLR 3 pinos macho / fêmea
- Canais DMX usados: 1 e 6 canais
- Controlo de som: Microfone interno
- Lâmpada: 256 LEDs (R96 + G96 + B64)
- Dimensões: 965 x 190 x 82cm
- Peso: 6,4 kg



Estas informações estão sujeitas a alterações sem aviso prévio  
 Pode fazer download da versão mais recente deste manual no nosso site: [www.beglec.com](http://www.beglec.com)