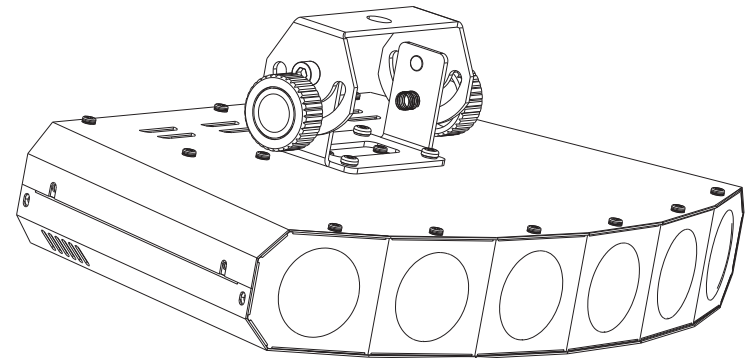


LED Rainbow



Operation Manual EN
Mode d'emploi FR
Gebruiksaanwijzing NL
Bedienungsanleitung DE
Manual de instrucciones ES

WWW.BEGLEC.COM

Copyright © 2011 by BEGLEC NV

t Hofveld 2C ~ B1702 Groot-Bijgaarden ~ Belgium

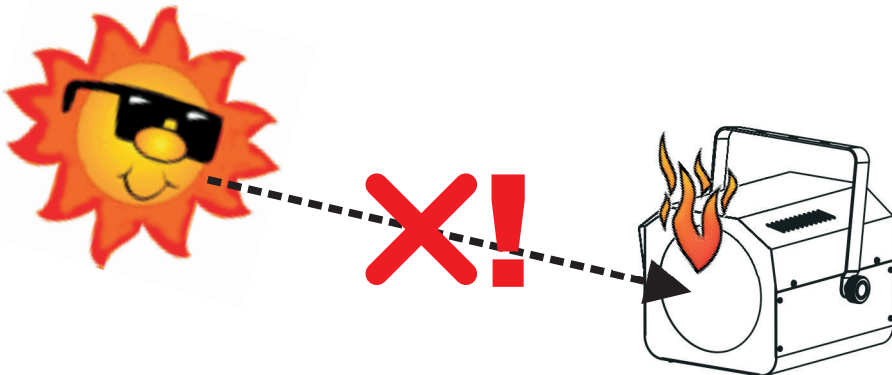
Reproduction or publication of the content in any manner, without express permission of the publisher, is prohibited.



Version: 1.0



DANGER ~ GEVAAR ~ GEFAHR ~ PELIGRO ~ PERIGO



WARNING: DANGER! never expose the lens to direct sunlight, even for a short period. This may damage the light effect or even cause fire!

ATTENTION: DANGER! n'exposez jamais la lentille directement aux rayons de soleil, même pendant un bref instant. Ceci peut endommager l'intérieur de l'appareil ou même causer un incendie !

OPGELET : GEVAAR ! stel de lens nooit bloot aan direct zonlicht, zelfs gedurende een korte periode. Dit kan het toestel beschadigen en zelfs brand veroorzaken!

WARNUNG: GEFAHR! Setzen sie die Linse niemals direkter Sonneneinstrahlung aus, auch nicht für eine kurze Zeit ! Die direkte Sonneneinstrahlung kann das Gerät zerstören oder zum brennen bringen!

ADVERTENCIA: ¡PELIGRO! ¡nunca exponga la lente a la luz solar directa, aún durante un período corto! ¡Esto puede dañar el efecto de luz o incluso causar el fuego!

AVISO: PERIGO! Nunca exponha as lentes directamente à luz solar, mesmo que por pouco tempo! Isto pode danificar o efeito luminoso ou mesmo provocar um incêndio!

EN - DISPOSAL OF THE DEVICE

Dispose of the unit and used batteries in an environment friendly manner according to your country regulations.

FR - DÉCLASSER L'APPAREIL

Débarrassez-vous de l'appareil et des piles usagées de manière écologique, conformément aux dispositions légales de votre pays.

NL - VERWIJDEREN VAN HET APPARAAT

Verwijder het toestel en de gebruikte batterijen op een milieuvriendelijke manier conform de in uw land geldende voorschriften.

DU - ENTSORGUNG DES GERÄTS

Entsorgen Sie das Gerät und die Batterien auf umweltfreundliche Art und Weise gemäß den Vorschriften Ihres Landes.

ES - DESHACERSE DEL APARATO

Reciclar el aparato y pilas usadas de forma ecologica conforme a las disposiciones legales de su país.

PT - COMO DESFAZER-SE DA UNIDADE

Tente reciclar a unidade e as pilhas usadas respeitando o ambiente e em conformidade com as normas vigentes no seu país.



OPERATION MANUAL

Thank you for buying this JB Systems® product. To take full advantage of all possibilities and for your own safety, please read these operating instructions very carefully before you start using this unit.

FEATURES

This unit is radio-interference suppressed. This product meets the requirements of the current European and national guidelines. Conformity has been established and the relevant statements and documents have been deposited by the manufacturer.

- This device was designed to produce decorative effect lighting and is used in light show systems.
- A compact but powerful multi-beam LED-effect!
- Each of the 6 lenses contains a powerful 3Watt RGB LED.
- Thanks to perfect color mixing the six beams can have any color you like!
- Each 9° beam can be controlled individually to create an endless combination of customized effects.
- Excellent built-in programs for wonderful, ever-changing, light shows:
 - Standalone: sound activated with internal mic
 - Master/slave: wonderful synchronized shows
 - DMX-master/slave, 1MSL: thanks to this revolutionary new feature several LED Rainbow units, working in master/slave, can still be controlled by DMX! Even while connected in a DMX chain! (optional mini DMX splitter required)
- DMX: 22 channels for full control or easy control using only 1 or 7 channels.
- 2 optional remote controllers available:
 - CA-8: wired remote for improved master/slave control
 - RF-8 Set: wireless RF-remote for improved master/slave control
- Uses six powerful 3Watt RGB LEDs:
 - Extremely brilliant beams compared to effects with halogen lamps
 - More dynamic effects compared to effects based on halogen lamps
 - No lamp replacements and very low power consumption
- Mains IEC in/outputs for easy linking using optional IEC cables
- Perfect for different applications: discos, clubs, mobile DJs, stage, ...

BEFORE USE

- Before you start using this unit, please check if there's no transportation damage. Should there be any, do not use the device and consult your dealer first.
- **Important:** This device left our factory in perfect condition and well packaged. It is absolutely necessary for the user to strictly follow the safety instructions and warnings in this user manual. Any damage caused by mishandling is not subject to warranty. The dealer will not accept responsibility for any resulting defects or problems caused by disregarding this user manual.
- Keep this booklet in a safe place for future consultation. If you sell the fixture, be sure to add this user manual.

Check the contents:

Check that the carton contains the following items:

- Operating instructions
- LED Rainbow
- Mains cable

SAFETY INSTRUCTIONS:



CAUTION: To reduce the risk of electric shock, do not remove the top cover. No user-serviceable parts inside. Refer servicing to qualified service personnel only.



The lightning flash with arrowhead symbol within the equilateral triangle is intended to alert the user or the presence of un-insulated "dangerous voltage" within the product's enclosure that may be of sufficient magnitude to constitute a risk of electric shock.



The exclamation point within the equilateral triangle is intended to alert the user to the presence of important operation and maintenance (servicing) instructions in the literature accompanying this appliance.



This symbol means: indoor use only



This symbol means: Read instructions



This symbol means: Safety Class I appliance



This symbol determines: the minimum distance from lighted objects. The minimum distance between light-output and the illuminated surface must be more than 1 meters



The device is not suitable for direct mounting on normally flammable surfaces. (suitable only for mounting on non-combustible surfaces)

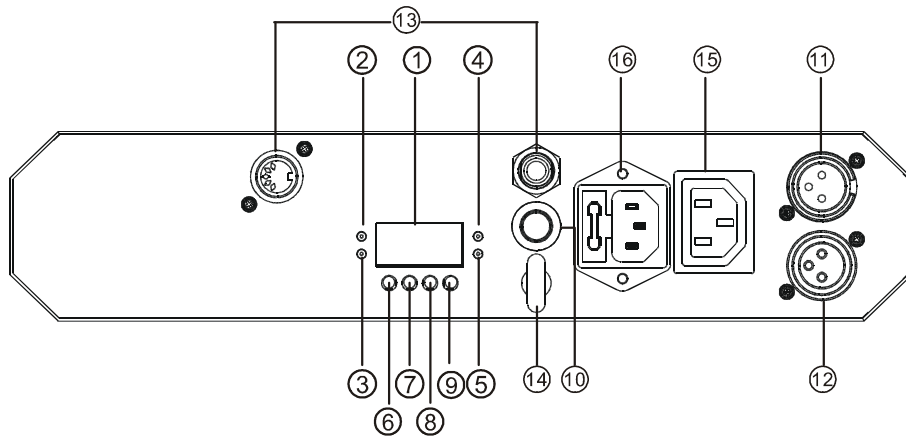


CAUTION: Do not stare at operating lamp. May be harmful to the eyes.

- To protect the environment, please try to recycle the packing material as much as possible.
- To prevent fire or shock hazard, do not expose this appliance to rain or moisture.
- To avoid condensation to be formed inside, allow the unit to adapt to the surrounding temperatures when bringing it into a warm room after transport. Condense sometimes prevents the unit from working at full performance or may even cause damages.
- This unit is for indoor use only.
- Don't place metal objects or spill liquid inside the unit. Electric shock or malfunction may result. If a foreign object enters the unit, immediately disconnect the mains power.
- Locate the fixture in a well ventilated spot, away from any flammable materials and/or liquids. The fixture must be fixed at least 50cm from surrounding walls.
- Don't cover any ventilation openings as this may result in overheating.
- Prevent use in dusty environments and clean the unit regularly.
- Keep the unit away from children.
- Inexperienced persons should not operate this device.
- Maximum safe ambient temperature is 40°C. Don't use this unit at higher ambient temperatures.
- Make sure the area below the installation place is free from unwanted persons during rigging, de-rigging and servicing.
- Allow the device about 10 minutes to cool down before to start servicing.
- Always unplug the unit when it is not used for a longer time or before to start servicing.
- The electrical installation should be carried out by qualified personal only, according to the regulations for electrical and mechanical safety in your country.
- Check that the available voltage is not higher than the one stated on the unit.
- The power cord should always be in perfect condition. Switch the unit immediately off when the power cord is squashed or damaged. It must be replaced by the manufacturer, its service agent or similarly qualified persons in order to avoid a hazard.
- Never let the power-cord come into contact with other cables!
- This fixture must be earthed in order to comply with safety regulations.
- Don't connect the unit to any dimmer pack.
- Always use an appropriate and certified safety cable when installing the unit.
- In order to prevent electric shock, do not open the cover. There are no user serviceable parts inside.
- **Never** repair a fuse or bypass the fuse holder. **Always** replace a damaged fuse with a fuse of the same type and electrical specifications!
- In the event of serious operating problems, stop using the fixture and contact your dealer immediately.
- The housing and the lenses must be replaced if they are visibly damaged.
- Please use the original packing when the device is to be transported.
- Due to safety reasons it is prohibited to make unauthorized modifications to the unit.

Important: Never look directly into the light source! Don't use the effect in the presence of persons suffering from epilepsy.

DESCRIPTION:



1. DISPLAY shows the various menus and the selected functions.
2. DMX LED: is lit when the unit receives a DMX signal.
3. Master LED: is lit when the unit is switched as master
4. Slave LED: is lit when the unit is in slave mode
5. Sound LED: blinks to the rhythm of the music while the unit is in audio mode
6. MENU button: used to select the different menu items
7. DOWN button: to go back in the menu and to lower the values shown on the display.
8. UP button: to go up in the menu and to increase the values shown on the display.
9. ENTER button: used to confirm your choice.
10. Internal microphone
11. DMX input
12. DMX output
13. Remote control inputs:
 - Jack input: used to connect the CA-8 controller
 - Din input: used to connect the wireless RF-8 controller
14. Safety eyebolt: used to attach a safety cable when the unit is rigged (see paragraph "overhead rigging.
15. Mains output with IEC socket: you can use a special IEC power cable to connect this output with the mains input of the next LED RAINBOW for easier linking.
16. Mains input with IEC socket and integrated fuse holder, connect the supplied mains cable here.

MAIN MENU:

- To select any of the functions, press the MENU button up to when the required one is shown on the display or use the DOWN and UP buttons to browse the menu.
 - Select the function with the ENTER button (the display blinks).
 - Use DOWN and UP buttons to change the mode.
 - Once the required mode is selected, press the ENTER button to confirm.
- To go back to the main menu without any change press the MENU button shortly. The main menu is shown in the chart.

DMX Address

Used to set the starting address in a DMX setup.

- Press the MENU button until "Addr" is shown on the display.
- Press the ENTER button, the display starts blinking.

- Use DOWN and UP buttons to change the DMX address.
 - Once the correct address is shown on the display, press the ENTER button to save it.
- To go back to the main menu without any change press the MENU button shortly. Press the MENU button for about 2 seconds to exit the menu and to go back to the normal running mode.

Channel Mode

Used to set the desired channel setup mode.

- Press the MENU button until "ChMd" is shown on the display.
- Press the ENTER button, the display starts blinking.
- Use DOWN and UP buttons to choose 1MSL, 1Ch, 7Ch or 22Ch.
- Once the desired channel setup mode shows on the display, press the ENTER button to save it.

To go back to the main menu without any change press the MENU button shortly. Press the MENU button for about 2 seconds to exit the menu and to go back to the normal running mode.

Show Mode

Used to choose the Show mode when used in standalone or master/slave mode.

- Press the MENU button until "ShMd" is showing on the display.
- Press the ENTER button, the display starts blinking.
- Use DOWN and UP buttons to select one of the 8 available shows: show1 (Sh 1) to show8 (Sh 8)
- Once the right mode shows on the display, press the ENTER button to save it.

To go back to the main menu without any change press the MENU button shortly. Press the MENU button for about 2 seconds to exit the menu and to go back to the normal running mode.

Slave Mode

Used to set the projector as master or as slave unit.

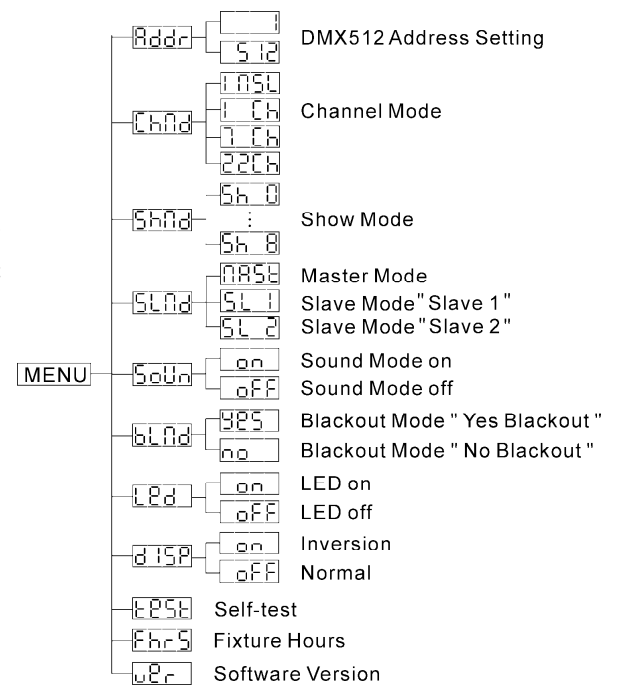
- Press the MENU button until "SLMd" is shown on the display.
 - Press the ENTER button, the display starts blinking.
 - Use DOWN and UP button to select "MASt" (master mode), SL 1 (normal slave mode) or SL 2 (2 light show) mode.
 - Once the mode is selected, press the ENTER button to save it.
- To go back to the main menu without any change press the MENU button shortly. Press the MENU button for about 2 seconds to exit the menu and to go back to the normal running mode.

Sound State

When the sound mode is switched ON the unit works to rhythm of the beat when used in standalone or master/slave mode.

- Press the MENU button until "SoUn" is shown on the display.
- Press the ENTER button, the display starts blinking.
- Use DOWN and UP button to select "On" (sound mode on) or "Off" (sound mode off).
- Once the mode is selected, press the ENTER button save it.

To go back to the main menu without any change press the MENU button shortly. Press the MENU button for about 2 seconds to exit the menu and to go back to the normal running mode.



Blackout Mode

Blackout mode: when no DMX-signal is detected, the unit goes in blackout and waits for the DMX-signal.

No blackout mode: when no DMX-signal is detected, the unit automatically switches to standalone mode.

- Press the MENU button until "bLMd" is shown on the display.
- Press the ENTER button, the display starts blinking.
- Use DOWN and UP button to select "Yes" (blackout on) or "No" (no blackout) mode.
- Once the mode is selected, press the ENTER button to save it.

To go back to the main menu without any change press the MENU button shortly.

Press the MENU button for about 2 seconds to exit the menu and to go back to the normal running mode.

Led Display

Display on: display is always on.

Display off: display is off when not used.

- Press the MENU button until the display shows "Led".
- Press the ENTER button, the display starts blinking.
- Use DOWN and UP buttons to select "on" (display always on) or "oFF" (display off when not used).
- Once the mode is selected, press the ENTER button to save it.

To go back to the main menu without any change press the MENU button shortly.

Press the MENU button for about 2 seconds to exit the menu and to go back to the normal running mode.

Display Inversion

Display inversion ON: display is readable when the unit is mounted upside down on a floor stand.

Display inversion OFF: display is readable when the unit is hanging in a truss or on a T-bar.

- Press the MENU button until "dISP" is blinking on the display. (normal display)
- Use the ENTER button to change to the mode into "dSIP" (display inversion), the option will be automatically stored after 8 seconds. Or press the ENTER button again return to the mode "dISP" (normal display).
- To go back to the functions press the MENU button.

Press the MENU button for about 2 seconds to exit the menu and to go back to the normal running mode.

Auto Test

Used to activate the internal "self-test" program which checks all possibilities of the unit.

- Press the MENU button until the display shows "teSt".
- Press the ENTER button to start the internal self-test program.
- To go back to the functions press the MENU button.

Press the MENU button for about 2 seconds to exit the menu and to go back to the normal running mode.

Fixture Hours

Used to show the number of working hours of the unit.

- Press the MENU button until the display shows "FhrS".
- Press the ENTER button to show the number of working hours in the display.
- To go back to the functions press the MENU button.

Press the MENU button for about 2 seconds to exit the menu and to go back to the normal running mode.

Software version

Used to show the software version that is installed in the unit

- Press the MENU button until the display shows "uer".
- Press the ENTER button to show the software version on the display.
- To go back to the functions press the MENU button.

Press the MENU button for about 2 seconds to exit the menu and to go back to the normal running mode.

OVERHEAD RIGGING

- **Important:** The installation must be carried out by qualified service personal only. Improper installation can result in serious injuries and/or damage to property. Overhead rigging requires extensive experience! Working load limits should be respected, certified installation materials should be used, the installed device should be inspected regularly for safety.
- Make sure the area below the installation place is free from unwanted persons during rigging, de-rigging and servicing.
- Locate the fixture in a well ventilated spot, far away from any flammable materials and/or liquids. The fixture must be fixed **at least 50cm** from surrounding walls.
- The device should be installed out of reach of people and outside areas where persons may walk by or be seated.
- Before rigging make sure that the installation area can hold a minimum point load of 10times the device's weight.
- Always use a certified safety cable that can hold 12times the weight of the device when installing the unit. This secondary safety attachment should be installed in a way that no part of the installation can drop more than 20cm if the main attachment fails.
- The device should be well fixed; a free-swinging mounting is dangerous and may not be considered!
- Don't cover any ventilation openings as this may result in overheating.
- The operator has to make sure that the safety-relating and machine-technical installations are approved by an expert before using them for the first time. The installations should be inspected every year by a skilled person to be sure that safety is still optimal.

ELECTRICAL INSTALLATION + ADDRESSING

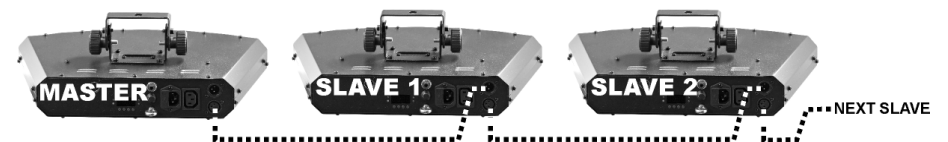
Important: The electrical installation should be carried out by qualified personal only, according to the regulations for electrical and mechanical safety in your country.

Electrical installation for 1 standalone unit:

- Just insert the mains cable. The unit starts working immediately in stand-alone mode.
- Remark1:** You can connect a CA-8 or RF-8 remote controller to the unit if you want to have more control. Refer to "how to operate the unit" to learn how to do this.
- Remark2:** if there's no output, please make sure to set the unit in master mode and set the blackout mode to "NO" and Sound State to "On" (see previous chapter)

Electrical installation for two or more units in master/slave:

In this mode the units will show a synchronized show, working to the rhythm of the beat.



- Connect 2 or more units together using good quality balanced microphone cables. The first unit in the chain must be set as the master, the other units must be set as slaves.
 - Make sure that all units are connected to the mains.
 - Done!
- Remark:** You can connect a CA-8 or RF-8 remote controller to the master unit if you want to have more control over the master/slave operation
- Remark2:** if there's no output, please make sure to set the first unit in master mode and set the blackout mode to "NO" and Sound State to "On" (see previous chapter)

Electrical installation for two or more units in DMX-master/slave:

In this mode the units will show a synchronized show, working to the rhythm of the beat but you can still control some functions on the master by 1 DMX channel.



- To assure proper operation you need an optional “Mini DMX-SPLITTER” to isolate the master/slave line from the main DMX-line, see drawing.
- Connect 2 or more units together using good quality balanced microphone cables. The first unit in the chain must be set as the master, the other units must be set as slaves.
- Set the master to 1MSL channel mode (see previous chapter).
- For the DMX-controller the master and his slaves can now be considered as 1 virtual effect that needs a start address so it can be controlled as any other DMX-unit in the DMX chain: see “DMX Address” in the chapter “Main Menu” to see how you can set the DMX-start address.
- Make sure that all units are connected to the mains.
- Set the DMX-controller according to the DMX-chart below.
- Done!

Remark: in order to work well to the rhythm of the music, make sure that the option “Sound State” on the master is set to “On” (see previous chapter)

Electrical installation for two or more units in DMX-mode:

- The DMX-protocol is a widely used high speed signal to control intelligent light equipment. You need to “daisy chain” your DMX controller and all the connected units with a balanced cable of good quality.
- Both XLR-3pin and XLR-5pin connectors are used, however XLR-3pin is more popular because these cables are compatible with balanced audio cables.
Pin layout XLR-3pin: Pin1 = GND ~ Pin2 = Negative signal (-) ~ Pin3 = Positive signal (+)
Pin layout XLR-5pin: Pin1 = GND ~ Pin2 = Negative signal (-) ~ Pin3 = Positive signal (+) ~ Pins4+5 not used.
- To prevent strange behavior of the light effects, due to interferences, you must use a 90Ω to 120Ω terminator at the end of the chain. Never use Y-splitter cables, this simply won’t work!
- Make sure that all units are connected to the mains.
- Each light effect in the chain needs to have its proper starting address so it knows which commands from the controller it has to decode.



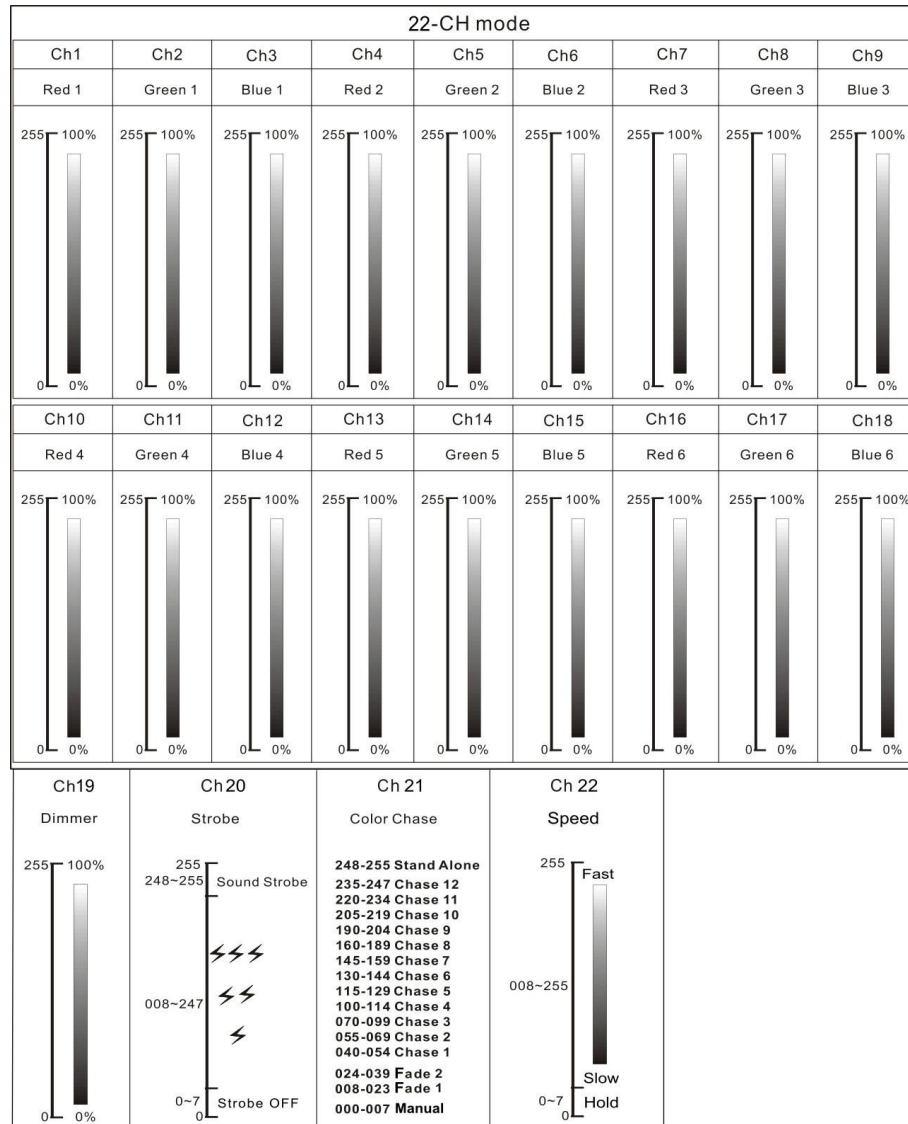
HOW TO SET THE RIGHT STARTING ADDRESS:

Refer to the previous chapter (DMX-512 address setting) to learn how to set the starting address on this unit. The starting address of each unit is very important. Unfortunately it is impossible to tell you in this user manual which starting addresses you have to set because this completely depends on the controller you will use... So please refer to the user manual of your DMX-controller to find out which starting addresses you must set.

DMX-CONFIGURATION

1MSL Mode	1-CH mode
Ch1	Ch1
Shows	Shows
248-255 Random Show	248-255 Random Show
218-247 Show 8	218-247 Show 8
188-217 Show 7	188-217 Show 7
158-187 Show 6	158-187 Show 6
128-157 Show 5	128-157 Show 5
098-127 Show 4	098-127 Show 4
068-097 Show 3	068-097 Show 3
038-067 Show 2	038-067 Show 2
008-037 Show 1	008-037 Show 1
000-007 Blackout	000-007 Blackout

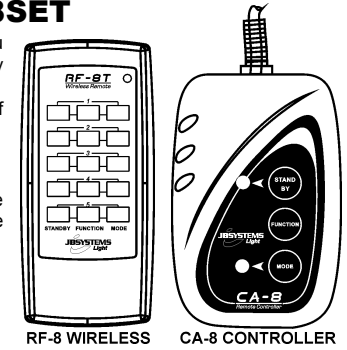
7-CH mode						
Ch1	Ch2	Ch3	Ch4	Ch5	Ch6	Ch7
Red	Green	Blue	Dimmer	Strobe	Color Chase	Speed
255 100% 0 0%	255 100% 0 0%	255 100% 0 0%	255 100% 0 0%	255 248-255 Sound Strobe 008-247 0-7 Strobe OFF	248-255 Stand Alone 235-247 Chase 12 220-234 Chase 11 205-219 Chase 10 190-204 Chase 9 160-189 Chase 8 145-159 Chase 7 130-144 Chase 6 115-129 Chase 5 100-114 Chase 4 070-099 Chase 3 055-069 Chase 2 040-054 Chase 1 024-039 Fade 2 008-023 Fade 1 000-007 Manual	255 Fast 008-255 0 Slow 0-7 Hold



OPERATE THE UNIT BY CA8 OR RF8SET

When used in standalone or master/slave mode we strongly advise you to use the CA-8 "Wired easy controller" or RF-8SET "Wireless easy controller".

- **CA-8 wired remote:** Connect the controller to the jack input of the first unit (master).
- **RF-8SET wireless remote:** the wireless remote has two parts:
 - **RF-8T:** small RF-transmitter that can control up to 5 effects.
 - **RF-8R:** small RF-receiver that should be connected to the DIN 5pin input of the unit. See the installation manual of the receiver for more information.



Now you can control all the connected units:

Blackout	Blackout the unit		
Function	1. Synchronous Strobe in white 2. Asynchronous Strobe in white 3. Sound Strobe in color	Select Color 1. Red 2. Green 3. Blue 4. Red + Green 5. Red + Blue 6. Green + Blue 7. Red + Green + Blue 8. Color change by sound	Select Show 1-8
Mode	Sound/Strobe (LED OFF)	Manual Color (LED ON)	LED blinking

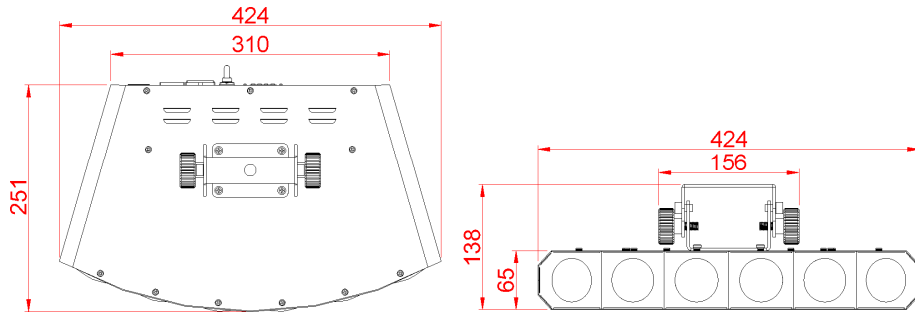
MAINTENANCE

- Make sure the area below the installation place is free from unwanted persons during servicing.
- Switch off the unit, unplug the mains cable and wait until the unit has been cooled down.
- **During inspection the following points should be checked:**
 - All screws used for installing the device and any of its parts should be tightly fastened and may not be corroded.
 - Housings, fixations and installations spots (ceiling, truss, suspensions) should be totally free from any deformation.
 - When an optical lens is visibly damaged due to cracks or deep scratches, it must be replaced.
 - The mains cables must be in impeccable condition and should be replaced immediately when even a small problem is detected.
 - In order to protect the device from overheat the cooling fans (if any) and ventilation openings should be cleaned monthly.
 - The interior of the device should be cleaned annually using a vacuum cleaner or air-jet.
 - The cleaning of internal and external optical lenses and/or mirrors must be carried out periodically to optimize light output. Cleaning frequency depends on the environment in which the fixture operates: damp, smoky or particularly dirty surroundings can cause greater accumulation of dirt on the unit's optics.
 - Clean with a soft cloth using normal glass cleaning products.
 - Always dry the parts carefully.

Attention: We strongly recommend internal cleaning to be carried out by qualified personnel!

SPECIFICATIONS

Mains Input:	AC100V~240V 50/60Hz
Power consumption:	39 Watt
Fuse:	250V T6.3A (20mm glass)
Sound Control:	Internal microphone
DMX connections:	3pin XLR male / female
DMX channels used:	1, 7, 22 channels
Lamp:	6x 3Watt Tri-color LEDs
Size:	424 x 251 x 65 cm (with bracket: 138mm)
Weight:	3,6kg



The information might be modified without prior notice
You can download the latest version of this user manual on our website: www.beglec.com

GUIDE D'UTILISATION

Nous vous remercions d'avoir acheté ce produit JB Systems®. Pour tirer pleinement profit de toutes les possibilités et pour votre propre sécurité, lisez ces instructions très attentivement avant d'utiliser cet appareil.

CARACTÉRISTIQUES

Cet appareil ne produit pas d'interférences radio. Ce produit répond aux exigences des directives européennes et nationales actuelles. La conformité a été établie et les déclarations et documents correspondants ont été déposés par le fabricant.

- Ce dispositif a été conçu pour produire un effet d'éclairage décoratif et est utilisé dans les systèmes de jeu de lumière.
- Effet à LED multifaisceaux puissant malgré sa taille compacte !
- Chacune des six lentilles est alimentée par une puissante LED RVB de 3 Watts.
- Grâce au parfait mélange des six faisceaux couleur, vous pouvez obtenir toute couleur que vous aimez !
- Chaque faisceau 9° peut être contrôlé individuellement pour créer une combinaison infinie d'effets personnalisés.
- D'excellents programmes intégrés offrant de fabuleux jeux de lumière en perpétuels changements :
 - Autonome : Activé par le son via un micro interne
 - Maître/Esclave : des shows magnifiques synchronisés
 - Maître/Esclave contrôlés par DMX : Grâce à cette nouvelle fonctionnalité révolutionnaire, plusieurs unités LED Rainbow, fonctionnant en maître / esclave, peuvent toujours être contrôlées par DMX ! Même lorsqu'elles sont connectées à une chaîne DMX ! (Un mini répartiteur DMX en option est nécessaire)
- DMX : 22 canaux pour un contrôle total ou seulement 1 à 7 canaux pour un contrôle facile.
- 2 télécommandes en option sont disponibles :
 - CA-8 : télécommande filaire pour un contrôle amélioré maître / esclave
 - RF-8 : télécommande RF sans fil pour un contrôle amélioré maître / esclave
- Utilise six LED RVB puissantes de 3 Watts :
 - Faisceaux extrêmement brillants comparés aux effets fonctionnant avec des lampes halogènes
 - Effets nettement plus dynamiques comparés aux effets fonctionnant avec des lampes halogènes
 - Aucun remplacement de lampe et très faible consommation
- Connecteurs d'entrée/sorties aux normes CEI pour le raccordement facile des câbles optionnels CEI
- Parfait pour différentes utilisations : discothèques, clubs, DJ itinérants, scènes, ...

AVANT UTILISATION

- Avant d'utiliser cet appareil, vérifiez s'il n'a pas été endommagé durant le transport. En cas de dommages, n'utilisez pas l'appareil et consultez immédiatement votre revendeur.
- **Important** : Cet appareil est expédié de notre usine en parfait état et bien emballé. Il est absolument nécessaire que l'utilisateur suive strictement les instructions et les avertissements de sécurité se trouvant dans ce manuel. Tout dommage dû à une mauvaise manipulation n'est pas garanti. Le revendeur n'accepte aucune responsabilité pour tous les défauts et problèmes dus au non respect de ce manuel.
- Conservez ce manuel dans un endroit sûr pour toute consultation future. Si vous vendez l'appareil, veillez à joindre ce manuel.

Vérifiez le contenu :

Vérifiez que le carton contient les éléments suivants :

- Guide d'utilisation
- LED Rainbow
- Câble d'alimentation secteur

INSTRUCTIONS DE SÉCURITÉ :



CAUTION
RISK OF ELECTRIC SHOCK
DO NOT OPEN



ATTENTION : Pour réduire le risque de choc électrique, ne retirez pas le panneau supérieur. L'appareil ne contient aucun composant réparable par l'utilisateur. Confiez toute réparation à un personnel qualifié uniquement.



Le symbole de l'éclair à l'intérieur d'un triangle équilatéral, est destiné à alerter l'utilisateur de la présence de pièces sous tension non isolées dans le boîtier de l'appareil, d'une magnitude pouvant constituer un risque d'électrocution.



Le symbole du point d'exclamation dans un triangle sert à avertir l'utilisateur que d'importants conseils de fonctionnement sont fournis dans la documentation



Ce symbole signifie : pour usage intérieur uniquement.



Ce symbole signifie : Lisez les instructions



Ce symbole signifie : appareil de Classe de sécurité I



Ce symbole détermine : la distance minimale des objets éclairés. La distance minimale entre la sortie de lumière et la surface éclairée doit être supérieure à un 1 mètre



Cet appareil n'est pas adapté pour un montage direct sur des surfaces normalement inflammables. (Ne convient que pour le montage sur surfaces non combustibles)

RISK GROUP 2
CAUTION:
Do not stare at operating lamp

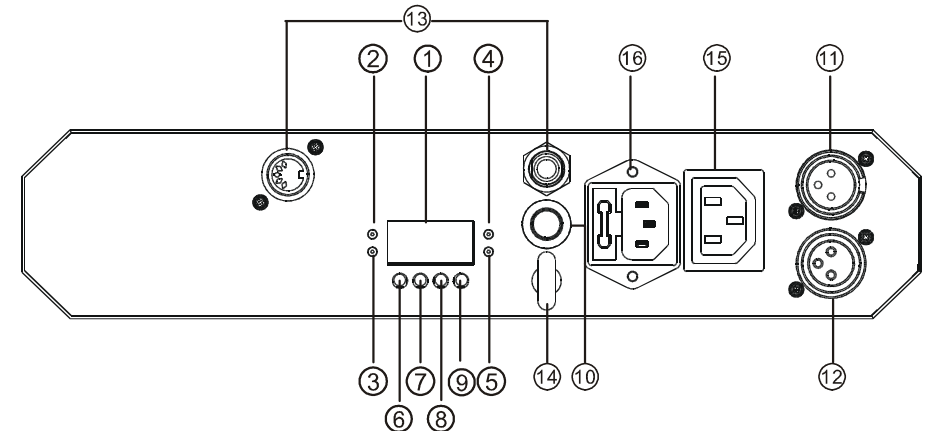
ATTENTION : Ne fixez pas votre regard sur une lampe allumée.
Peut être nocif pour les yeux.

- Pour protéger l'environnement, essayer de recycler autant que possible les matériaux d'emballage.
- Pour éviter tout incendie ou électrocution, n'exposez pas cet appareil à la pluie ou l'humidité.
- Pour éviter une formation de condensation interne, laissez l'appareil s'adapter à la température ambiante quand vous la mettez dans une pièce chauffée après le transport. La condensation empêche parfois l'appareil de fonctionner à plein rendement ou peut même causer des dommages.
- Cet appareil est destiné à un usage intérieur seulement.
- Ne placez pas d'objets métalliques et ne renversez pas de liquides à l'intérieur de l'appareil. Un choc électrique ou un dysfonctionnement peut en résulter. Si un corps étranger pénètre dans l'appareil, débranchez immédiatement l'alimentation secteur.
- Fixez l'appareil dans un endroit bien aéré, loin de tout matériau et/ou liquide inflammable. Le luminaire doit être fixé à au moins 50 cm des murs environnants.
- Ne couvrez pas les ouvertures de ventilation, cela pourrait entraîner une surchauffe.
- Évitez une utilisation dans des environnements poussiéreux et nettoyez l'appareil régulièrement.
- Gardez l'appareil loin de la portée des enfants.
- Les personnes inexpérimentées ne doivent pas utiliser cet appareil.
- La température ambiante de fonctionnement maximale est de 40°C. N'utilisez pas cet appareil à des températures ambiantes plus élevées.
- Assurez-vous qu'aucune personne étrangère ne se trouve dans la zone en dessous de l'emplacement d'installation durant le montage, le démontage et l'entretien.
- Laissez environ 10 minutes à l'appareil pour refroidir avant de commencer l'entretien.
- Débranchez toujours l'appareil lorsqu'il ne va pas être utilisé pendant une longue période ou avant de commencer l'entretien.
- L'installation électrique doit être effectuée par du personnel qualifié, conformément à la réglementation en matière de sécurité électrique et mécanique dans votre pays.
- Vérifiez que la tension secteur n'est pas supérieure à celle indiquée sur l'appareil.
- Le cordon d'alimentation doit toujours être en parfait état. Eteignez immédiatement l'appareil dès le cordon d'alimentation est écrasé ou endommagé. Il doit être remplacé par le fabricant, son agent de service ou une personne de même qualification afin d'éviter tout danger.
- Ne laissez jamais le cordon d'alimentation entrer en contact avec d'autres câbles !
- Ce luminaire doit être mis à la terre pour être conforme réglementation en matière de sécurité.
- Ne connectez pas l'appareil à aucun variateur de lumière.
- Utilisez toujours un câble de sécurité approprié et certifié lors de l'installation de l'appareil.
- Afin d'éviter un choc électrique, n'ouvrez aucun panneau. L'appareil ne contient aucun composant réparable par l'utilisateur.
- Ne réparez **jamais** un fusible et ne court-circuitez **jamais** le porte-fusible. Remplacez **toujours** un fusible endommagé par un fusible du même type ayant les mêmes spécifications électriques !

- En cas de sérieux problèmes de fonctionnement, cessez d'utiliser l'appareil et contactez immédiatement votre revendeur.
- Le boîtier et la lentille doivent être remplacés s'ils sont visiblement endommagés.
- Utilisez l'emballage d'origine pour transporter l'appareil.
- Pour des raisons de sécurité, il est interdit d'apporter des modifications non autorisées à l'appareil.

Important : Ne regardez jamais directement dans la source de lumière ! N'utilisez pas le jeu de lumière en présence de personnes souffrant d'épilepsie.

DESCRIPTION :



1. L'écran affiche les différents menus et les fonctions sélectionnées.
2. LED DMX : s'allume lorsque l'appareil reçoit un signal DMX
3. LED maître : s'allume lorsque l'appareil est allumé en tant que maître
4. LED esclave : s'allume lorsque l'appareil est en mode esclave
5. LED sonore : clignote au rythme de la musique lorsque l'appareil est en mode audio
6. Touche MENU : utilisée pour sélectionner les différents éléments de menu
7. Touche vers le Bas : pour descendre dans le menu et pour diminuer les valeurs affichées à l'écran.
8. Touche vers le Haut : pour monter dans le menu et pour augmenter les valeurs affichées à l'écran.
9. Touche ENTER : pour confirmer votre choix.
10. Microphone interne
11. Entrée DMX :
12. Sortie DMX :
13. Entrées de télécommande :
 - Connecteur d'entrée : utilisé pour connecter la télécommande CA-8
 - Entrée Din : utilisé pour connecter la télécommande RF-8
14. BOULON À ŒIL DE Sécurité : utilisé pour attacher un câble de sécurité au cours du levage de l'appareil (reportez-vous au paragraphe "Montage au plafond").
15. Sortie secteur avec prise IEC : vous pouvez utiliser un câble d'alimentation IEC spécial pour raccorder cette sortie à l'entrée secteur du LED RAINBOW suivant pour faciliter le raccordement.
16. Entrée secteur avec prise IEC et porte-fusible intégré. branchez le câble secteur ici.

MENU PRINCIPAL :

- Pour sélectionner l'une des fonctions, appuyez sur la touche MENU jusqu'à ce que la fonction souhaitée s'affiche sur l'écran ou utilisez les touches DOWN/UP pour parcourir les menus.
 - Sélectionnez une fonction avec la touche ENTER (l'affichage se met à clignoter).
 - Utilisez les touches DOWN/UP pour changer de mode.
 - Une fois le mode désiré est sélectionné, appuyez sur la touche ENTER pour confirmer.
- Pour retourner au menu principal sans aucun changement appuyez brièvement sur la touche MENU. Le menu principal est affiché dans le graphique.

Adresse DMX

Utilisée pour définir l'adresse de départ dans une configuration DMX.

- Appuyez sur la touche MENU jusqu'à ce que "Addr" s'affiche à l'écran.
- Appuyez sur la touche ENTER, l'affichage se met à clignoter.
- Utilisez les touches DOWN/UP pour changer l'adresse DMX.
- Une fois l'adresse correcte est affichée à l'écran, appuyez sur la touche ENTER pour l'enregistrer.

Pour retourner au menu principal sans aucun changement appuyez brièvement sur la touche MENU. Maintenez enfoncée la touche MENU pendant environ 2 secondes pour quitter le menu et retourner au mode de fonctionnement normal.

Mode Canal

Utilisé pour définir le mode configuration de canal.

- Appuyez sur la touche MENU jusqu'à ce que "ChMd" s'affiche à l'écran.
- Appuyez sur la touche ENTER, l'affichage se met à clignoter.
- Utilisez les touches Haut/Bas pour choisir 1MSL, 1Ch, 7CH ou 22Ch.
- Une fois le mode de configuration canal désiré s'affiche à l'écran, appuyez sur la touche ENTER pour l'enregistrer.

Pour retourner au menu principal sans aucun changement appuyez brièvement sur la touche MENU. Maintenez enfoncée la touche MENU pendant environ 2 secondes pour quitter le menu et retourner au mode de fonctionnement normal.

Mode Show

Utilisé pour choisir le mode Show lorsqu'il est utilisé en mode autonome ou le mode maître/esclave.

- Appuyez sur la touche MENU jusqu'à ce que "ShMd" s'affiche à l'écran.
- Appuyez sur la touche ENTER, l'affichage se met à clignoter.
- Utilisez les touches DOWN/UP pour sélectionner l'un des shows disponibles : comprend 8 shows : Show 1 (Sh 1) à Show 8 (Sh 8)
- Une fois le mode approprié s'affiche à l'écran, appuyez sur la ENTER pour l'enregistrer.

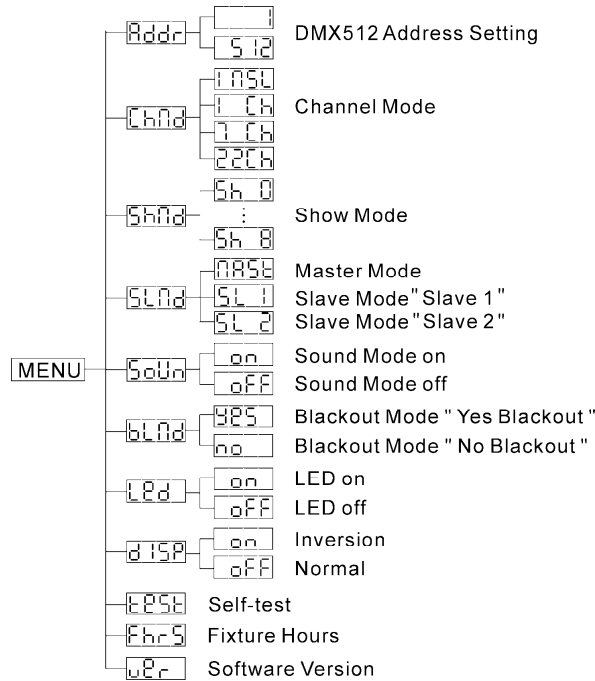
Pour retourner au menu principal sans aucun changement appuyez brièvement sur la touche MENU. Maintenez enfoncée la touche MENU pendant environ 2 secondes pour quitter le menu et retourner au mode de fonctionnement normal.

Mode Esclave

Utilisé pour définir le projecteur comme maître ou esclave.

- Appuyez sur la touche MENU jusqu'à ce que "SLMd" s'affiche à l'écran.
- Appuyez sur la touche ENTER, l'affichage se met à clignoter.
- Utilisez les touches Haut/Bas pour sélectionner "MASt" (mode maître), SL 1 (mode esclave normal) ou SL 2 (mode show à 2 LED).
- Une fois le mode est sélectionné, appuyez sur la touche ENTER pour l'enregistrer.

Pour retourner au menu principal sans aucun changement appuyez brièvement sur la touche MENU. Maintenez enfoncée la touche MENU pendant environ 2 secondes pour quitter le menu et retourner au mode de fonctionnement normal.

**Mode sonore**

Lorsque le mode sonore est activé, l'appareil est synchronisé au rythme des beats lorsqu'il est utilisé en mode autonome ou master / esclave.

- Appuyez sur la touche MENU jusqu'à ce que "SoUn" s'affiche à l'écran.
- Appuyez sur la touche ENTER, l'affichage se met à clignoter.
- Utilisez les touches HAUT/BAS pour sélectionner "On" (mode sonore activé) ou "Off" (mode sonore désactivé).
- Une fois le mode est sélectionné, appuyez sur la touche ENTER de l'enregistrer.

Pour retourner au menu principal sans aucun changement appuyez brièvement sur la touche MENU. Maintenez enfoncée la touche MENU pendant environ 2 secondes pour quitter le menu et retourner au mode de fonctionnement normal.

Mode Blackout

Mode Blackout : Lorsqu'aucun signal DMX n'est détecté, l'appareil passe en mode blackout d'attente de signal DMX.

Mode Non blackout : Lorsqu'aucun signal DMX n'est détecté, l'appareil passe automatiquement en mode autonome.

- Appuyez sur la touche MENU jusqu'à ce que "bLMd" s'affiche à l'écran.
- Appuyez sur la touche ENTER, l'affichage se met à clignoter.
- Utilisez les touches HAUT/BAS pour sélectionner "Yes" (Oui) (mode blackout activé) ou "No" (Non) (mode blackout désactivé).
- Une fois le mode est sélectionné, appuyez sur la touche ENTER pour l'enregistrer.

Pour retourner au menu principal sans aucun changement appuyez brièvement sur la touche MENU. Maintenez enfoncée la touche MENU pendant environ 2 secondes pour quitter le menu et retourner au mode de fonctionnement normal.

Affichage à LED

Activer l'affichage : L'écran est toujours allumé.

Désactiver l'affichage : L'écran est éteint lorsqu'il n'est pas utilisé.

- Appuyez sur la touche MENU jusqu'à ce que "Led" s'affiche à l'écran.
- Appuyez sur la touche ENTER, l'affichage se met à clignoter.
- Utilisez les touches HAUT/BAS pour sélectionner "on" (écran toujours allumé) ou "off" (l'écran s'éteint lorsqu'il n'est pas utilisé.).
- Une fois le mode est sélectionné, appuyez sur la touche ENTER pour l'enregistrer.

Pour retourner au menu principal sans aucun changement appuyez brièvement sur la touche MENU. Maintenez enfoncée la touche MENU pendant environ 2 secondes pour quitter le menu et retourner au mode de fonctionnement normal.

Inversion de l'affichage

Inversion de l'affichage activé : l'écran est lisible lorsque l'appareil est monté à l'envers sur un support au sol.

Inversion de l'affichage désactivé : l'écran est lisible lorsque l'appareil est suspendu à une poutre triangulée ou une barre en T.

- Appuyez sur la touche MENU jusqu'à ce que "dISP" clignote à l'écran. (Affichage normal)
- Utilisez la touche ENTER pour changer le mode en "dSIP" (inversion de l'affichage), l'option sera automatiquement mémorisée après 8 secondes. Ou appuyez à nouveau sur la touche ENTER pour retourner au mode "dISP" (affichage normal).
- Pour retourner aux fonctions appuyez sur la touche MENU.

Maintenez enfoncée la touche MENU pendant environ 2 secondes pour quitter le menu et retourner au mode de fonctionnement normal.

Test automatique

Utilisé pour activer le programme "auto-test" interne qui vérifie toutes les fonctions de l'appareil.

- Appuyez sur la touche MENU jusqu'à ce que "teSt" s'affiche à l'écran.
- Appuyez sur la touche ENTER pour lancer le programme d'auto-test interne.
- Pour retourner aux fonctions appuyez sur la touche MENU.

Maintenez enfoncée la touche MENU pendant environ 2 secondes pour quitter le menu et retourner au mode de fonctionnement normal.

Heures liminaire

Utilisé pour afficher le nombre d'heures de fonctionnement de l'appareil.

- Appuyez sur la touche MENU jusqu'à ce que "FhrS" s'affiche à l'écran.
- Appuyez sur la touche ENTER pour afficher le nombre d'heures de fonctionnement à l'écran.

- Pour retourner aux fonctions appuyez sur la touche MENU. Maintenez enfoncée la touche MENU pendant environ 2 secondes pour quitter le menu et retourner au mode de fonctionnement normal.

Version du logiciel

Utilisé pour afficher la version du logiciel installé dans l'appareil

- Appuyez sur la touche MENU jusqu'à ce que "uer" s'affiche à l'écran.
- Appuyez sur la touche ENTER pour afficher la version du logiciel à l'écran.
- Pour retourner aux fonctions appuyez sur la touche MENU.

Maintenez enfoncée la touche MENU pendant environ 2 secondes pour quitter le menu et retourner au mode de fonctionnement normal.

MONTAGE AU PLAFOND

- **Important** : L'installation ne doit être effectuée que par un personnel qualifié. Une mauvaise installation peut entraîner des blessures et/ou dommages graves. Un montage au plafond exige une grande expérience ! Les limites de charge de fonctionnement doivent être respectées, des matériels d'installation certifiés doivent être utilisés, l'appareil installé doit être inspecté régulièrement pour vérifier les conditions de sécurité.
- Assurez-vous qu'aucune personne étrangère ne se trouve dans la zone en dessous de l'emplacement d'installation durant le montage, le démontage et l'entretien.
- Fixez l'appareil dans un endroit bien aéré, loin de tout matériau et/ou liquide inflammable. Le luminaire doit être fixé à au moins 50 cm des murs environnants.
- L'appareil doit être installé hors de la portée des gens, loin des passages et des endroits où des personnes peuvent s'asseoir.
- Avant de soulever l'appareil, assurez-vous que le point de suspension peut supporter une charge d'au moins 10 fois le poids de l'appareil.
- Lors de l'installation de l'appareil, utilisez toujours un câble de sécurité certifié qui peut supporter 12 fois le poids de l'appareil. Ce support de suspension de sécurité secondaire doit être installé de manière à ce qu'aucune partie de l'installation ne puisse tomber de plus de 20 cm si le support principal lâche.
- L'appareil doit être bien fixé, un montage balançant est dangereux et ne doit pas être entrepris !
- Ne couvrez pas les ouvertures de ventilation, cela pourrait entraîner une surchauffe.
- L'opérateur doit s'assurer que la sécurité relative à l'installation et les conditions techniques sont approuvées par un expert avant d'utiliser l'appareil pour la première fois. Les installations doivent être inspectées chaque année par une personne qualifiée pour être sûr que la sécurité est toujours optimale.

INSTALLATION ÉLECTRIQUE + ADRESSAGE

Important : L'installation électrique doit être effectuée par du personnel qualifié, conformément à la réglementation en matière de sécurité électrique et mécanique dans votre pays.

Installation électrique d'une unité autonome :

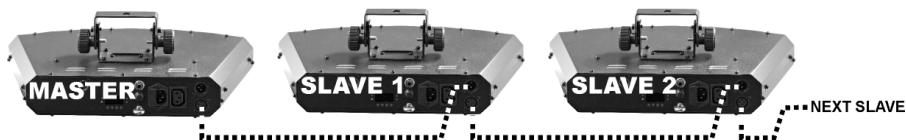
- Il suffit de brancher le cordon d'alimentation secteur. L'appareil commence à fonctionner immédiatement en mode autonome.

Remarque 1 : Vous pouvez connecter une télécommande CA-8 ou RF-8 à l'appareil si vous voulez avoir plus de contrôle. Reportez-vous à "Comment utiliser l'appareil" pour apprendre comment faire cela.

Remarque 2 : s'il n'y a pas de sortie, assurez-vous de mettre l'appareil en mode maître et de définir le mode blackout sur "NO" et le mode sonore sur "On" (voir chapitre précédent)

Installation électrique de deux ou plusieurs unités en maître/esclave :

Dans ce mode, les shows des unités seront synchronisés, fonctionnant au rythme de la musique.



- Connectez les unités ensemble à l'aide de câbles microphone symétrique de bonne qualité. La première

unité de la chaîne doit être définie comme maître, et les autres unités comme esclaves.

- Assurez-vous que toutes les unités sont branchées au secteur.
- C'est fait !

Remarque : Vous pouvez connecter une télécommande CA-8 ou RF-8 à l'appareil maître, si vous voulez avoir plus de contrôle sur le fonctionnement maître/esclave

Remarque 2 : s'il n'y a pas de sortie, assurez-vous de mettre la première unité en mode maître et de définir le mode blackout sur "NO" et le mode sonore sur "On" (voir chapitre précédent)

Installation électrique de deux unités ou plus en mode Maître/Esclave contrôlés par DMX :

Dans ce mode, les Shows des unités seront synchronisés, fonctionnant au rythme de la musique, mais vous pouvez toujours contrôler certaines fonctions sur le maître via un canal DMX.

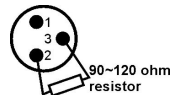


- Pour assurer un fonctionnement approprié, vous aurez besoin d'un "mini répartiteur DMX" en option pour isoler la ligne maître / esclave de la ligne principale DMX, voir dessin.
- Connectez les unités ensemble à l'aide de câbles microphone symétrique de bonne qualité. La première unité de la chaîne doit être définie comme maître, et les autres unités comme esclaves.
- Réglez le maître sur le mode canal 1MSL (voir chapitre précédent).
- Pour le contrôleur DMX le maître et ses esclaves peuvent maintenant être considérés comme un effet virtuel qui a besoin d'une adresse de départ afin qu'il puisse être contrôlé comme tout autre unité DMX de la chaîne DMX : Reportez-vous à "Adresse DMX" dans le chapitre "Menu principal" pour voir comment définir l'adresse DMX de départ.
- Assurez-vous que toutes les unités sont branchées au secteur.
- Réglez le contrôleur DMX selon le tableau DMX ci-dessous.
- C'est fait !

Remarque : Pour fonctionner correctement au rythme de la musique, assurez-vous que l'option "Mode sonore" sur le maître est réglée sur "ON" (voir chapitre précédent)

Installation électrique de deux ou plusieurs unités en mode DMX :

- Le protocole DMX est largement utilisé pour contrôler des équipements lumineux intelligents au moyen d'un signal de haute vitesse. Vous devez mettre en chaîne votre contrôleur DMX avec toutes les unités connectées par un câble symétrique de bonne qualité.
- Les deux connecteurs XLR 3 broches et XLR 5 broches sont utilisés, cependant le XLR 3 broches est plus utilisé parce que ces câbles sont compatibles avec les câbles audio symétriques.
- Disposition du XLR 3 broches : Broche 1 = terre ~ Broche 2 = signal négatif (-) ~ Broche 3 = signal positif (+)
- Disposition du XLR 5 broches : Broche 1 = terre ~ Broche 2 = signal négatif (-) ~ Broche 3 = signal positif (+) ~ Broche 4+5 non utilisées.
- Pour éviter un comportement anormal des effets de lumière, à cause des interférences, vous devez utiliser un terminateur de 90Ω à 120Ω à la fin de la chaîne. N'utilisez jamais de séparateurs de câbles en Y, cela ne fonctionne pas !
- Assurez-vous que toutes les unités sont branchées au secteur.
- Chaque effet de lumière dans la chaîne doit avoir sa propre adresse de départ afin qu'il sache quelles commandes du contrôleur à décoder.



• COMMENT DÉFINIR LA BONNE ADRESSE DE DÉPART :

Reportez-vous au chapitre précédent (réglage de l'adresse DMX-512) pour apprendre comment définir l'adresse de départ sur cet appareil. L'adresse de départ de chaque unité est très importante. Malheureusement il est impossible de vous dire dans ce manuel quelles adresses de départ vous devez définir parce que cela dépend entièrement du contrôleur que vous allez utiliser. Reportez-vous alors au manuel de votre contrôleur DMX pour savoir quelles adresses de départ vous devez définir.

CONFIGURATION DMX

1MSL Mode	1-CH mode
Ch1	Ch1
Shows	Shows
248-255 Random Show	248-255 Random Show
218-247 Show 8	218-247 Show 8
188-217 Show 7	188-217 Show 7
158-187 Show 6	158-187 Show 6
128-157 Show 5	128-157 Show 5
098-127 Show 4	098-127 Show 4
068-097 Show 3	068-097 Show 3
038-067 Show 2	038-067 Show 2
008-037 Show 1	008-037 Show 1
000-007 Blackout	000-007 Blackout

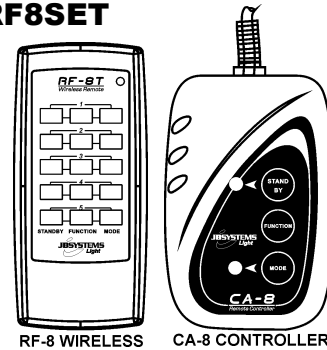
7-CH mode						
Ch1	Ch2	Ch3	Ch4	Ch5	Ch6	Ch7
Red	Green	Blue	Dimmer	Strobe	Color Chase	Speed
255 100% 0 0%	255 100% 0 0%	255 100% 0 0%	255 100% 0 0%	255 248-255 Sound Strobe 008-247 0-7 Strobe OFF	248-255 Stand Alone 235-247 Chase 12 220-234 Chase 11 205-219 Chase 10 190-204 Chase 9 160-189 Chase 8 145-159 Chase 7 130-144 Chase 6 115-129 Chase 5 100-114 Chase 4 070-099 Chase 3 055-069 Chase 2 040-054 Chase 1 024-039 Fade 2 008-023 Fade 1 000-007 Manual	255 Fast 008-255 0-7 Hold

22-CH mode								
Ch1	Ch2	Ch3	Ch4	Ch5	Ch6	Ch7	Ch8	Ch9
Red 1	Green 1	Blue 1	Red 2	Green 2	Blue 2	Red 3	Green 3	Blue 3
255 100% 0 0%	255 100% 0 0%	255 100% 0 0%	255 100% 0 0%	255 100% 0 0%	255 100% 0 0%	255 100% 0 0%	255 100% 0 0%	255 100% 0 0%
Ch10	Ch11	Ch12	Ch13	Ch14	Ch15	Ch16	Ch17	Ch18
Red 4	Green 4	Blue 4	Red 5	Green 5	Blue 5	Red 6	Green 6	Blue 6
255 100% 0 0%	255 100% 0 0%	255 100% 0 0%	255 100% 0 0%	255 100% 0 0%	255 100% 0 0%	255 100% 0 0%	255 100% 0 0%	255 100% 0 0%
Ch19	Ch20	Ch21	Ch22					
Dimmer	Strobe	Color Chase	Speed					
255 100% 0 0%	255 248-255 Sound Strobe 008-247 0-7 Strobe OFF	248-255 Stand Alone 235-247 Chase 12 220-234 Chase 11 205-219 Chase 10 190-204 Chase 9 160-189 Chase 8 145-159 Chase 7 130-144 Chase 6 115-129 Chase 5 100-114 Chase 4 070-099 Chase 3 055-069 Chase 2 040-054 Chase 1 024-039 Fade 2 008-023 Fade 1 000-007 Manual	255 Fast 008-255 0-7 Hold					

UTILISER L'APPAREIL VIA CA8 OU RF8SET

Lorsqu'il est utilisé en mode autonome ou maître/esclave, nous vous conseillons fortement d'utiliser le "contrôleur filaire facile" CA-8 ou le "contrôleur sans fil facile" RF-8SET.

- **Télécommande filaire CA-8** : Raccordez le contrôleur au connecteur d'entrée de la première unité (maître).
- **Télécommande sans fil RF-8SET** : la télécommande sans fil comporte deux parties :
 - **RF-8T** : un petit émetteur RF qui permet de contrôler jusqu'à 5 effets.
 - **RF-8R** : un petit récepteur RF qui doit être connecté à la DIN 5 broches d'entrée du LED RAINBOW. Reportez-vous au manuel d'installation du récepteur pour plus d'informations.



Maintenant, vous pouvez contrôler toutes les unités connectées :

Blackout	Mettre en mode Blackout l'unité		
Fonction	1. Lumière stroboscopique synchrone blanche 2. Lumière stroboscopique asynchrone blanche 3. Lumière stroboscopique sonore couleur	Sélection de couleur 9. Rouge 10. Vert 11. Bleu 12. Rouge + Vert 13. Rouge + Bleu 14. Vert + Bleu 15. Rouge + Vert + Bleu 16. La couleur change avec le son	Sélection du show 1-8
Mode	Son / Strobe (LED éteinte)	Couleur manuelle (LED allumée)	LED clignotant

ENTRETIEN

- Assurez-vous qu'aucune personne étrangère ne se trouve dans la zone en dessous de l'emplacement d'installation durant l'entretien.
- Eteignez l'appareil, débranchez le câble secteur et attendez que l'appareil refroidisse.

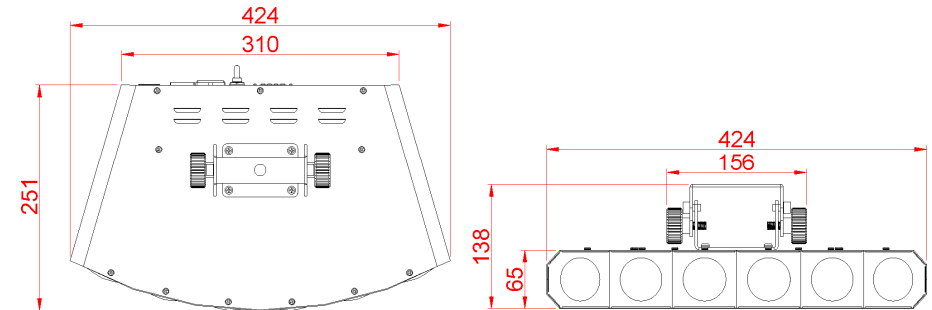
Lors de l'inspection les points suivants doivent être vérifiés :

- Toutes les vis utilisées pour l'installation de l'appareil et chacune de ses composantes doivent être solidement fixées et ne peuvent être rouillées.
- Les boîtiers, les supports et les boutons d'installation (plafond, poutre, suspensions) ne doivent pas être déformés.
- Quand une lentille optique est visiblement endommagée en raison de fissures ou de rayures profondes, elle doit être remplacée.
- Les câbles d'alimentation doit être dans un état impeccable et doivent être remplacés immédiatement même si un petit problème est détecté.
- Afin de protéger l'appareil de toute surchauffe, les ventilateurs de rafraîchissement (le cas échéant) et les ouvertures de ventilation doivent être nettoyés mensuellement.
- L'intérieur de l'appareil doit être nettoyé une fois par an à l'aide d'un aspirateur ou d'un jet d'air.
- Le nettoyage des lentilles optiques et/ou miroirs internes et externes doit être effectué périodiquement pour optimiser le flux lumineux. La fréquence de nettoyage dépend de l'environnement dans lequel l'appareil fonctionne : des environnements humides, enfumés ou particulièrement sales peuvent causer l'accumulation de saleté sur l'optique de l'appareil.
 - Nettoyez avec un chiffon doux en utilisant des produits de nettoyage pour verre normal.
 - Séchez toujours les pièces soigneusement.

Attention : Nous vous conseillons fortement de faire effectuer le nettoyage interne par un personnel qualifié !

SPÉCIFICATIONS

Tension d'entrée :	100VAC~240V 50/60Hz
Consommation :	39 Watts
Fusible :	250V T6.3A (verre de 20mm)
Réglage du son :	Microphone interne
Connexions DMX :	XLR 3 broches mâle/femelle
Canaux DMX utilisés :	1, 7, 22 canaux
Lampe :	6x LED tricolores de 3 Watts
Dimensions :	424 x 251 x 65 cm (avec support : 138mm)
Poids :	3,6kg



Les informations peuvent être modifiées sans préavis
 Vous pouvez télécharger la dernière version de ce manuel sur notre site web : www.beglec.com

GEBRUIKSAANWIJZING

Hartelijk dank voor de aankoop van dit JB Systems® product. Om ten volle van alle mogelijkheden te profiteren en voor uw eigen veiligheid, lees deze gebruiksaanwijzing zorgvuldig voordat u met dit apparaat start.

KENMERKEN

Dit apparaat is radio-interferentie onderdrukt. Dit product voldoet aan de eisen van de huidige Europese en nationale richtlijnen. Overeenstemming is vastgesteld en de desbetreffende verklaringen en documenten zijn door de fabrikant gedeponneerd.

- Dit apparaat is ontworpen om decoratieve effectverlichting te produceren en wordt in lichtshowsystemen gebruikt.
- Een compact maar krachtig multi-beam LED-effect!
- Elk van de 6 lenzen bevat een krachtige 3 Watt RGB LED.
- Dankzij de perfecte kleurmenging, kunnen de zes bundels elke kleur hebben die u wilt!
- Elke 9° bundel kan individueel worden bediend om een eindeloze combinatie van op maat gemaakte effecten te creëren.
- Voortreffelijk ingebouwde programma's voor prachtige gevarieerde lichtshows:
 - Standalone: geluidgestuurd via de ingebouwde microfoon.
 - Master/Slave: prachtige gesynchroniseerde shows
 - DMX-master/slave: dankzij deze revolutionaire nieuwe functie kunnen meerdere LED Rainbow-apparaten die in master/slave werken, nog steeds met DMX worden bestuurd! Zelfs terwijl ze zijn aangesloten op een DMX-keten! (optionele mini DMX-splitter nodig)
- DMX: 22 kanalen voor een volledige of eenvoudige bediening met behulp van slechts 1 of 7 kanalen.
- 2 optionele afstandsbedieningen beschikbaar:
 - CA-8: bedrade afstandsbediening voor een betere master/slave-besturing
 - RF-8-set: draadloze RF-afstandsbediening voor een betere master/slave-besturing
- Maakt gebruik van zes krachtige 3 Watt RGB LED's:
 - Extreem heldere kleuren in vergelijking tot apparaten met halogeenlampen.
 - Meer dynamische effecten in vergelijking tot effecten gebaseerd op halogeen lampen.
 - Geen lampen te vervangen en een zeer laag stroomverbruik.
- Lichtnet IEC-in/uitgangen voor het gemakkelijk doorlinken via optionele IEC-kabels.
- Perfect voor verschillende toepassingen: discotheken, clubs, mobiele DJ's, toneel, ...

VOÓR GEBRUIK

- Voordat u met het gebruik van dit apparaat start, controleer of er geen transportschade aanwezig is. Mocht er schade zijn, gebruik het apparaat niet en raadpleeg eerst uw dealer.
- **Belangrijk:** Dit apparaat verliet de fabriek in perfecte staat en goed verpakt. Het is absoluut noodzakelijk voor de gebruiker om de veiligheidsinstructies en waarschuwingen in deze handleiding strikt op te volgen. Eventuele schade veroorzaakt door verkeerd gebruik valt niet onder de garantie. De dealer zal niet aansprakelijk worden gesteld voor eventuele fouten of problemen veroorzaakt door het negeren van deze handleiding.
- Bewaar dit boekje op een veilige plaats voor toekomstige raadpleging. Als u de armatuur verkoopt, zorg ervoor deze handleiding erbij te voegen.

Controleer de inhoud:

Controleer of de doos de volgende items bevat:

- Gebruiksaanwijzing
- LED Rainbow
- Netsnoer

VEILIGHEIDSINSTRUCTIES:



OPGELET: Om het risico voor elektrische schokken te verkleinen, verwijder de bovenafdekking niet. Binnenin bevinden zich geen onderdelen die door de gebruiker onderhouden kunnen worden. Laat het onderhoud door gekwalificeerd onderhoudspersoneel uitvoeren.



De bliksemschicht met pijl binnenin een gelijkzijdige driehoek is bedoeld om de gebruiker te waarschuwen op de aanwezigheid van ongeïsoleerde "gevaarlijke voltage" binnen de behuizing van het product dat van voldoende omvang is om een risico op elektrische schokken te vormen.



Het uitroepteken binnen een gelijkzijdige driehoek is bedoeld om de gebruiker te waarschuwen op de aanwezigheid van belangrijke gebruiks- en onderhoudsinstructies in de documentatie die met dit apparaat meekomen.



Dit symbool betekent: alleen gebruik binnenshuis.



Dit symbool betekent: Lees de instructies.



Dit symbool betekent: Veiligheidsklasse I apparaat.



Dit symbool betekent: de minimale afstand van de verlichte objecten. De minimale afstand tussen de lichtbron en het verlichte oppervlak moet meer dan 1 meter zijn.



Het apparaat is niet geschikt voor directe montage op normaal brandbare oppervlakken. (Alleen geschikt voor montage op onbrandbare oppervlakken.)



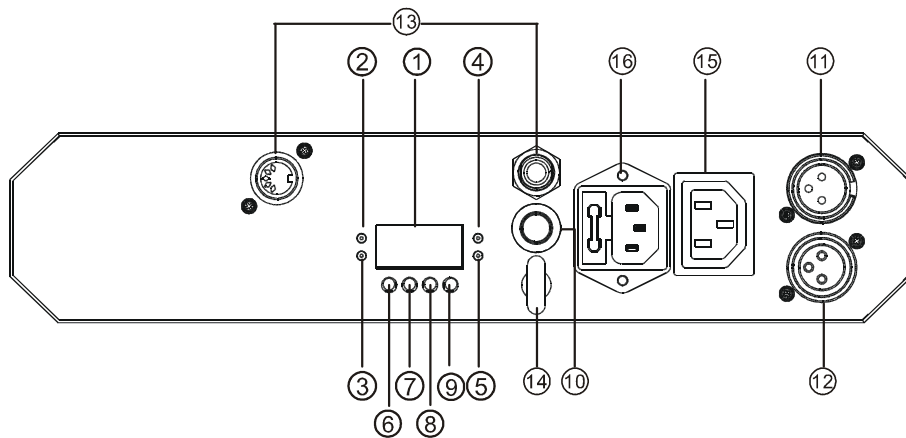
OPGELET: Kijk niet naar een werkende lamp. Het kan schadelijk zijn voor de ogen.

- Om het milieu te beschermen, probeer het verpakkingsmateriaal zoveel mogelijk te recyclen.
- Om vuur of elektrische schokgevaar te voorkomen, stel dit apparaat niet bloot aan regen of vocht.
- Om te voorkomen dat binnenin condensatie wordt gevormd, laat het apparaat aan de omgevingstemperatuur aanpassen wanneer het na transport in een warme kamer wordt gebracht. Condens verhindert soms het apparaat op volle capaciteit te werken of kan zelfs schade veroorzaken.
- Dit apparaat is uitsluitend geschikt voor gebruik binnenshuis.
- Plaats geen metalen voorwerpen of mors geen vloeistoffen in het toestel. Elektrische schokken of storing kan het gevolg zijn. Als een vreemd voorwerp in het apparaat terecht komt, trek onmiddellijk de stekker uit het stopcontact.
- Plaats de armatuur op een goed geventileerde plek, verwijderd van brandbare materialen en/of vloeistoffen. De armatuur moet op minstens 50 cm vanaf de omringende muren worden bevestigd.
- Bedek geen ventilatieopeningen, omdat het tot oververhitting kan leiden.
- Voorkom het gebruik in stoffige omgevingen en maak het regelmatig schoon.
- Houd het apparaat buiten bereik van kinderen.
- Onervaren personen mogen dit apparaat niet bedienen.
- De maximaal veilige omgevingstemperatuur is 40 °C. Gebruik dit apparaat niet bij hogere omgevingstemperaturen.
- Zorg ervoor dat het gebied onder de installatieplaats tijdens het takelen, onttakelen en onderhoud vrij is van ongewenste personen.
- Laat het apparaat ongeveer 10 minuten afkoelen alvorens met onderhoud te beginnen.
- Ontkoppel altijd het apparaat wanneer het voor een langere tijd niet wordt gebruikt of alvorens het onderhoud te beginnen.
- De elektrische installatie dient alleen door gekwalificeerd personeel te worden uitgevoerd, in overeenstemming met de voorschriften voor elektrische en mechanische veiligheid in uw land.
- Controleer of de beschikbare spanning niet hoger is dan aangegeven op het apparaat.
- Het netsnoer moet altijd in perfecte staat zijn. Schakel het apparaat onmiddellijk uit als het netsnoer wordt platgedrukt of beschadigd. Als het netsnoer beschadigd is, moet deze door de fabrikant, zijn vertegenwoordiger, of door een vergelijkbaar bevoegde persoon worden vervangen, om een gevaar te voorkomen.
- Laat het netsnoer nooit met andere kabels in contact komen!
- Deze armatuur moet worden geaard om aan de veiligheidsvoorschriften te voldoen.
- Sluit het apparaat niet aan op een dimmerpack.
- Gebruik bij het installeren van het apparaat altijd een geschikte en gecertificeerde veiligheidskabel.

- Om elektrische schokken te voorkomen, open de afdekking niet. Er zijn geen door de gebruiker te repareren onderdelen binnenin het apparaat aanwezig.
- Repareer **nooit** een zekering of sluit nooit de zekeringhouder kort. Vervang **altijd** een kapotte zekering met een zekering van hetzelfde type en elektrische specificaties!
- In het geval van ernstige problemen, stop met het gebruik van de armatuur en neem onmiddellijk contact op met uw dealer.
- De behuizing en de lenzen moeten vervangen worden als ze zichtbaar beschadigd zijn.
- Gebruik de originele verpakking als het toestel vervoerd moet worden.
- Vanwege veiligheidsredenen is het verboden om ongeautoriseerde wijzigingen op het apparaat aan te brengen.

Belangrijk: Kijk nooit rechtstreeks in de lichtbron! Gebruik het effect niet in de aanwezigheid van personen die aan epilepsie lijden.

BESCHRIJVING:



1. **DISPLAY:** toont de verschillende menu's en de geselecteerde functies.
2. **DMX-LED:** brandt wanneer de unit een DMX-signaal ontvangt.
3. **Master-LED:** brandt als de unit als master is geschakeld.
4. **Slave-LED:** brandt wanneer de unit in de slave-modus is geschakeld.
5. **Geluid-LED:** knippert op het ritme van de muziek, terwijl de unit in de audiomodus is geschakeld.
6. **MENU-knop:** wordt gebruikt om de verschillende menu-items te selecteren.
7. **OMLAAG-knop:** om in het menu terug te gaan en de waarden op de display te verlagen.
8. **OMHOOG-knop:** om in het menu omhoog te gaan en de waarden op de display te verhogen.
9. **ENTER-knop:** Wordt gebruikt om uw keuze te bevestigen.
10. **Ingebouwde microfoon**
11. **DMX-ingang**
12. **DMX-uitgang**
13. **Afstandsbedieningingen:**
 - Jack-ingang: wordt gebruikt om de CA-8-controller aan te sluiten
 - Din-ingang: wordt gebruikt om de draadloze RF-8-controller aan te sluiten
14. **VEILIGHEIDSOOGBOUW:** wordt gebruikt om een veiligheidskabel te bevestigen wanneer het apparaat is opgetuigd (zie paragraaf "Hijzen boven personen").
15. **Lichtnetuitgang** met IEC-busaansluiting: u kunt een speciale IEC-voedingskabel gebruiken om deze uitgang met de lichtnetingang van de volgende LED RAINBOW aan te sluiten voor eenvoudiger koppelen.
16. **Lichtnetingang** met IEC-aansluiting en geïntegreerde zekeringhouder, sluit hier het meegeleverde netsnoer op aan.

HOOFDMENU:

- Om een functie te selecteren, druk op op en houd de "MENU"-knop ingedrukt totdat de gewenste functie op de display wordt weergegeven of gebruik de "DOWN"- en "UP"-knoppen om het menu te bladeren.
- Selecteer de functie met de "ENTER"-knop (de display knippert).
- Gebruik de "DOWN"- en "UP"-knoppen om de modus te wijzigen.
- Zodra de gewenste modus is geselecteerd, druk op de "ENTER"-knop om te bevestigen.

Om zonder enige wijziging naar het hoofdmenu terug te gaan, druk kort op de "MENU"-knop. Het hoofdmenu wordt in het schema weergegeven.

DMX-adres

Wordt gebruikt om het startadres in een DMX-setup in te stellen.

- Druk op en houd de "MENU"-knop ingedrukt totdat "Addr" op de display wordt weergegeven.
- Druk op de "ENTER"-knop, de display begint te knipperen.
- Gebruik de "DOWN"- en "UP"-knoppen om het DMX-adres te wijzigen.
- Zodra het juiste adres op de display wordt weergegeven, druk op de "ENTER"-knop om het op te slaan.

Om zonder enige wijziging naar het hoofdmenu terug te gaan, druk kort op de "MENU"-knop.

Druk op en houd de "MENU"-knop ongeveer 2 seconden ingedrukt om het menu te verlaten en naar de normale werkingsmodus terug te keren.

Kanaalmodus

Wordt gebruikt om de gewenste instellingsmodus van het kanaal in te stellen.

- Druk op en houd de "MENU"-knop ingedrukt totdat "ChMd" op de display wordt weergegeven.
- Druk op de "ENTER"-knop, de display begint te knipperen.
- Gebruik de "DOWN"- en "UP"-knoppen om 1MSL, 1Ch, 7Ch of 22Ch te kiezen.
- Zodra de gewenste instellingsmodus op de display wordt weergegeven, druk op de "ENTER"-knop om het op te slaan.

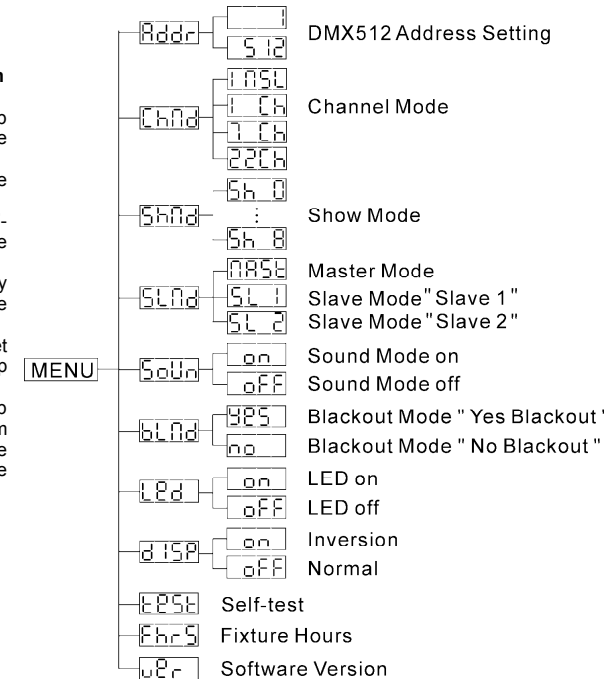
Om zonder enige wijziging naar het hoofdmenu terug te gaan, druk kort op de "MENU"-knop.

Druk op en houd de "MENU"-knop ongeveer 2 seconden ingedrukt om het menu te verlaten en naar de normale werkingsmodus terug te keren.

Showmodus

Wordt gebruikt om de showmodus te kiezen bij gebruik in stand-alone- of master/slave-modus.

- Druk op en houd de "MENU"-knop ingedrukt totdat "ShMd" op de display wordt weergegeven.
 - Druk op de "ENTER"-knop, de display begint te knipperen.
 - Gebruik de "DOWN"- en "UP"-knoppen om één van de 8 beschikbare shows te selecteren: show1 (Sh 1) tot show8 (Sh 8)
 - Zodra de juiste modus op de display wordt weergegeven, druk op de "ENTER"-knop om het op te slaan.
- Om zonder enige wijziging naar het hoofdmenu terug te gaan, druk kort op de "MENU"-knop. Druk op en houd de "MENU"-knop ongeveer 2 seconden ingedrukt om het menu te verlaten en naar de normale werkingsmodus terug te keren.



Slave-modus

Wordt gebruikt om de projector als master- of als slave-unit in te stellen.

- Druk op en houd de "MENU"-knop ingedrukt totdat "SLMd" op de display wordt weergegeven.
- Druk op de "ENTER"-knop, de display begint te knippen.
- Gebruik de "DOWN"- en "UP"-knop om "MASt" (master-modus), "SL 1" (normale slave-modus) of "SL 2" (2 lichtshow) te selecteren.
- Zodra de modus is geselecteerd, druk op de "ENTER"-knop om het op te slaan.

Om zonder enige wijziging naar het hoofdmenu terug te gaan, druk kort op de "MENU"-knop.

Druk op en houd de "MENU"-knop ongeveer 2 seconden ingedrukt om het menu te verlaten en naar de normale werkingsmodus terug te keren.

Geluidmodus

Wanneer de geluidmodus is ingeschakeld, werkt het apparaat op het ritme van de muziek bij gebruik in stand-alone- of master/slave-modus.

- Druk op en houd de "MENU"-knop ingedrukt totdat "SoUn" op de display wordt weergegeven.
- Druk op de "ENTER"-knop, de display begint te knippen.
- Gebruik de "DOWN"- en "UP"-knop om "On" (geluidmodus aan) of "Off" (geluidmodus uit).
- Zodra de modus is geselecteerd, druk op de "ENTER"-knop om het op te slaan.

Om zonder enige wijziging naar het hoofdmenu terug te gaan, druk kort op de "MENU"-knop.

Druk op en houd de "MENU"-knop ongeveer 2 seconden ingedrukt om het menu te verlaten en naar de normale werkingsmodus terug te keren.

Blackout-modus

Blackout-modus: wanneer er geen DMX-signaal wordt gedetecteerd zal het apparaat black-out gaan en wacht op een DMX-signaal.

Geen blackout-modus: wanneer er geen DMX-signaal wordt gedetecteerd, schakelt het apparaat automatisch over naar sw stand-alone-modus.

- Druk op en houd de "MENU"-knop ingedrukt totdat "bLMd" op de display wordt weergegeven.
- Druk op de "ENTER"-knop, de display begint te knippen.
- Gebruik de "DOWN"- en "UP"-knop om "Yes" (blackout) of "No" (geen blackout) te selecteren.
- Zodra de modus is geselecteerd, druk op de "ENTER"-knop om het op te slaan.

Om zonder enige wijziging naar het hoofdmenu terug te gaan, druk kort op de "MENU"-knop.

Druk op en houd de "MENU"-knop ongeveer 2 seconden ingedrukt om het menu te verlaten en naar de normale werkingsmodus terug te keren.

Led-display

Display aan : de display is altijd aan.

Display uit : de display is uit wanneer deze niet gebruikt wordt.

- Druk op en houd de "MENU"-knop ingedrukt totdat de display "Led" weergeeft.
- Druk op de "ENTER"-knop, de display begint te knippen.
- Gebruik de "DOWN"- en "UP"-knoppen om "on" (display altijd aan) of "off" (display uit wanneer niet gebruikt wordt) te selecteren.
- Zodra de modus is geselecteerd, druk op de "ENTER"-knop om het op te slaan.

Om zonder enige wijziging naar het hoofdmenu terug te gaan, druk kort op de "MENU"-knop.

Druk op en houd de "MENU"-knop ongeveer 2 seconden ingedrukt om het menu te verlaten en naar de normale werkingsmodus terug te keren.

Weergave-inversie

Weergave-inversie AAN: de weergave is leesbaar wanneer het apparaat ondersteboven op een vloerstandaard is gemonteerd.

Weergave-inversie UIT: de weergave is leesbaar wanneer het apparaat aan een drager of een T-balk hangt.

- Druk op en houd de "MENU"-knop ingedrukt totdat "dISp" op de display knippert. (normale weergave)
- Gebruik de "ENTER"-knop om naar de "dSIP"-modus (display inversie) te wisselen, de optie zal automatisch na 8 seconden worden opgeslagen. Of druk weer op de "ENTER"-knop naar de "dISp"-modus (normale weergave) terug te keren.
- Om naar de functies terug te gaan, druk op de "MENU"-knop.

Druk op en houd de "MENU"-knop ongeveer 2 seconden ingedrukt om het menu te verlaten en naar de normale werkingsmodus terug te keren.

Auto-test

Wordt gebruikt om het interne "zelftest"-programma dat alle mogelijkheden van het apparaat controleert te activeren.

- Druk op en houd de "MENU"-knop ingedrukt totdat de display "teSt" weergeeft.
- Druk op de "ENTER"-knop om de interne zelftest te starten.
- Om naar de functies terug te gaan, druk op de "MENU"-knop.

Druk op en houd de "MENU"-knop ongeveer 2 seconden ingedrukt om het menu te verlaten en naar de normale werkingsmodus terug te keren.

Uren van de armatuur

Wordt gebruikt om het aantal bedrijfsuren van het apparaat te tonen.

- Druk op en houd de "MENU"-knop ingedrukt totdat de display "FhrS" weergeeft.
- Druk op de "ENTER"-knop om het aantal bedrijfsuren in de display weer te geven.
- Om naar de functies terug te gaan, druk op de "MENU"-knop.

Druk op en houd de "MENU"-knop ongeveer 2 seconden ingedrukt om het menu te verlaten en naar de normale werkingsmodus terug te keren.

Software-versie

Wordt gebruikt om de geïnstalleerde software-versie in het apparaat te tonen.

- Druk op en houd de "MENU"-knop ingedrukt totdat de display "uer" weergeeft.
- Druk op de "ENTER"-knop om de software-versie op de display weer te geven.
- Om naar de functies terug te gaan, druk op de "MENU"-knop.

Druk op en houd de "MENU"-knop ongeveer 2 seconden ingedrukt om het menu te verlaten en naar de normale werkingsmodus terug te keren.

HET TOESTEL OPHANGEN

- **Belangrijk:** De installatie moet alleen worden uitgevoerd door gekwalificeerd onderhoudspersoneel. Onjuiste installatie kan tot ernstig letsel bij personen en schade aan goederen leiden. Hijsen boven personen vereist veel ervaring! Werklastgrenzen moeten in acht worden genomen, gecertificeerde installatiematerialen moeten worden gebruikt, het geïnstalleerde apparaat moet regelmatig worden gecontroleerd op veiligheid.
- Zorg ervoor dat het gebied onder de installatieplaats tijdens het takelen, onttakelen en onderhoud vrij is van ongewenste personen.
- Plaats de armatuur op een goed geventileerde plek, verwijderd van brandbare materialen en/of vloeistoffen. De armatuur moet op **minstens 50 cm vanaf** de omringende muren worden bevestigd.
- Het apparaat moet buiten het bereik van mensen en buiten de gebieden waar personen kunnen lopen of zitten worden geïnstalleerd.
- Alvorens te hijsen, controleer of de installatieplek een minimum puntbelasting van 10 keer het gewicht van het apparaat kan dragen.
- Gebruik bij het installeren van het apparaat altijd een gewaarmerkte veiligheidskabel die 12 keer het gewicht van het apparaat kan dragen. Deze secundaire veiligheidsbevestiging dient op een zodanige wijze te worden geïnstalleerd zodat geen enkel onderdeel van de installatie meer dan 20 cm kan vallen als de hoofdbevestiging het begeeft.
- Het apparaat moet goed worden bevestigd; een vrij pendelende montage is gevaarlijk en mag niet worden overwogen!
- Bedek geen ventilatieopeningen, omdat het tot oververhitting kan leiden.
- De exploitant moet ervoor zorgen dat de veiligheidsgerelateerde en machinetechnische installaties door een deskundige zijn goedgekeurd alvorens deze voor de eerste keer te gebruiken. De installaties moeten ieder jaar door een vakman worden geïnspecteerd om er zeker van te zijn dat de veiligheid nog steeds optimaal is.

ELEKTRISCHE INSTALLATIE + ADRESSERING

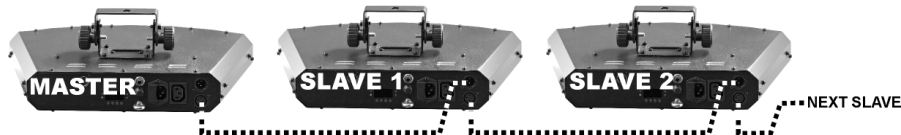
⚠️ Belangrijk: De elektrische installatie dient alleen door gekwalificeerd personeel te worden uitgevoerd, in overeenstemming met de voorschriften voor elektrische en mechanische veiligheid in uw land.

Elektrische installatie voor 1 stand-alone apparaat:

- Steek gewoon de voedingskabel erin. Het apparaat begint meteen in de stand-alone-modus te werken.
- **Opmerking 1:** U kunt een CA-8 of RF-8 afstandsbediening op het apparaat aansluiten als u meer controle wilt hebben. Raadpleeg "hoe het apparaat te bedienen" om te leren hoe dit te doen.
- **Opmerking 2:** als er geen output is, zorg ervoor het apparaat in de master-modus, de blackout-modus op "NO" en de geluidmodus op "On" in te stellen (zie vorig hoofdstuk)

Elektrische installatie voor twee of meer apparaten in master/slave:

In deze modus zullen de apparaten, op het ritme van de muziek werkend, een gesynchroniseerde show weergeven.



- Koppel 2 of meer apparaten met gebalanceerde microfoonkabels van goede kwaliteit aan elkaar. Het eerste apparaat in de keten moet als de master zijn ingesteld, de andere apparaten moeten als slaves zijn ingesteld.
- Zorg ervoor dat alle apparaten op het lichtnet zijn aangesloten.
- Klaar!
- **Opmerking:** U kunt een CA-8 of RF-8 afstandsbediening op het apparaat aansluiten als u meer controle over de master/slave-werking wilt hebben.
- **Opmerking 2:** als er geen output is, zorg ervoor het eerste apparaat in de master-modus, de blackout-modus op "NO" en de geluidmodus op "ON" in te stellen (zie vorig hoofdstuk)

Elektrische installatie voor twee of meer apparaten in DMX-master/slave:

In deze modus zullen de apparaten, op het ritme van de muziek werkend, een gesynchroniseerde show weergeven, maar u kunt nog steeds een aantal functies op de master via 1 DMX-kanaal bedienen.



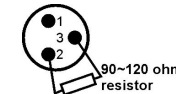
- Om een goede werking te verzekeren, hebt u een optionele "mini DMX-splitter" nodig om de master/slave-lijn van de hoofd-DMX-lijn te isoleren, zie tekening.
- Koppel 2 of meer apparaten met gebalanceerde microfoonkabels van goede kwaliteit aan elkaar. Het eerste apparaat in de keten moet als de master zijn ingesteld, de andere apparaten moeten als slaves zijn ingesteld.
- Stel de master op de 1MSL-kanaalmodus in (zie vorige hoofdstuk).
- Voor de DMX-controller kunnen de master en zijn slaves nu als 1 virtueel effect worden beschouwd dat een startadres nodig heeft, zodat het zoals elk andere DMX-apparaat in de DMX-keten bestuurd kan worden: zie "DMX-adres" in het hoofdstuk "Hoofdmenu" om te zien hoe u de DMX-startadres kunt instellen.
- Zorg ervoor dat alle apparaten op het lichtnet zijn aangesloten.
- Stel de DMX-controller in overeenkomstig het DMX-schema hieronder.
- Klaar!
- **Opmerking:** om goed op het ritme van de muziek te werken, zorg ervoor dat de optie "Geluidmodus" op de master op "On" is ingesteld (zie vorig hoofdstuk)

Elektrische installatie voor twee of meer apparaten in DMX-modus:

- De DMX-protocol is een veel gebruikte hoge snelheidssignaal om intelligent lichtapparatuur te bedienen. U moet uw DMX-controller in "daisychain" koppelen en alle aangesloten apparaten met een goede kwaliteit gebalanceerde kabel linken.
- Zowel XLR-3-pins en XLR-5-pins connectors worden gebruikt, maar de XLR-3-pins is populairder omdat

deze kabels compatibel met gebalanceerde audiokabels zijn.
 Pinbezetting XLR-3-pins: Pin1 = GND ~ Pin2 = Negatief signaal (-) ~ Pin3 = Positief signaal (+)
 Pinbezetting XLR-5-pins: Pin1 = GND ~ Pin2 = Negatief signaal (-) ~ Pin3 = Positief signaal (+) ~ 4+5 niet gebruikt.

- Om vreemd gedrag van de lichteffecten als gevolg van storingen te voorkomen, moet u een 90 Ω tot 120 Ω terminator aan het eind van de keten gebruiken. Gebruik nooit Y-splitter-kabels, dit zal gewoon niet werken
- Zorg ervoor dat alle apparaten op het lichtnet zijn aangesloten.
- Elk lichteffect in de keten heeft een goed startadres nodig, zodat het weet welke commando's van de controller het moet decoderen.



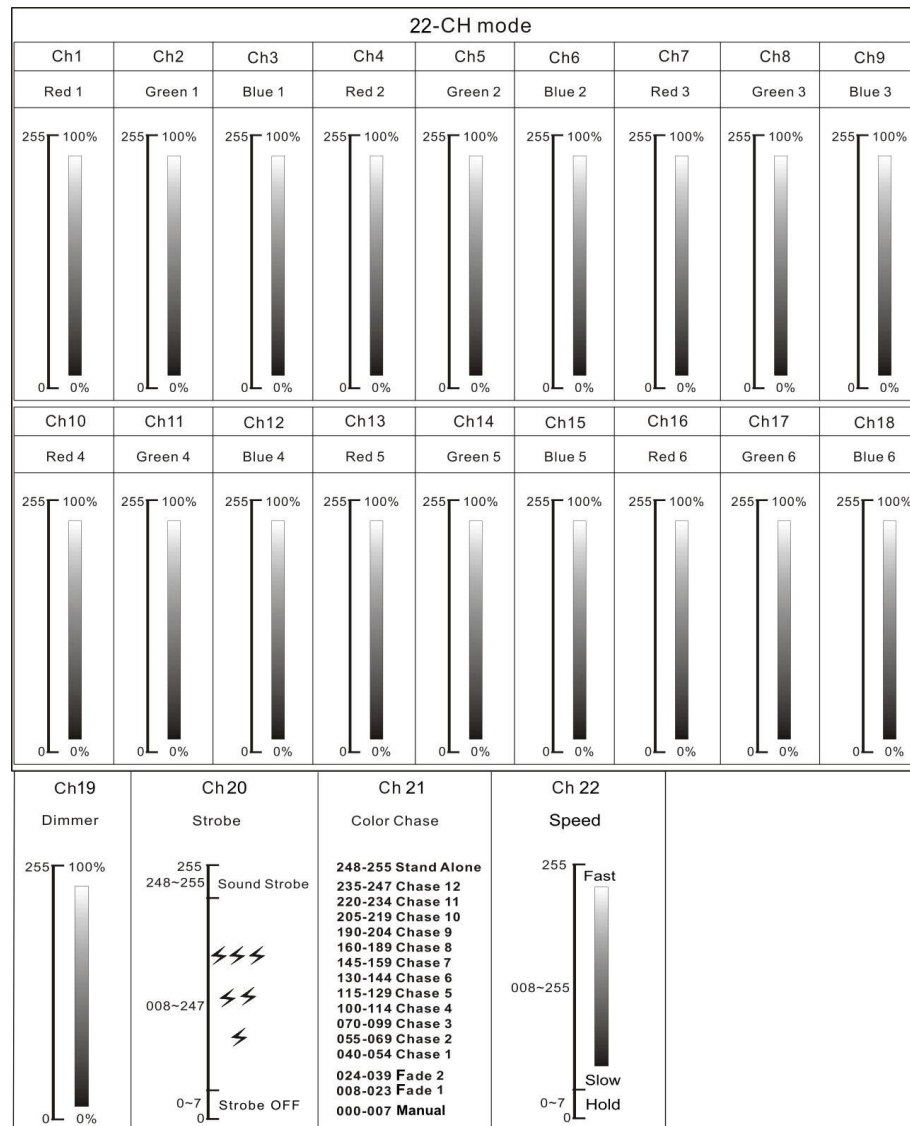
• HOE HET JUISTE STARTADRES IN TE STELLEN:

Raadpleeg het vorige hoofdstuk (DMX-512-adresinstelling) om te leren hoe het startadres op dit apparaat in te stellen. Het startadres van elk apparaat is erg belangrijk. Helaas is het onmogelijk om u in deze handleiding te vertellen welke startadressen u moet instellen, omdat dit volledig afhangt van de controller die u zult gebruiken. Dus raadpleeg de gebruikershandleiding van uw DMX-controller om te achterhalen welke startadressen u moet instellen.

DMX-CONFIGURATIE

1MSL Mode	1-CH mode
Ch1	Ch1
Shows	Shows
248-255 Random Show	248-255 Random Show
218-247 Show 8	218-247 Show 8
188-217 Show 7	188-217 Show 7
158-187 Show 6	158-187 Show 6
128-157 Show 5	128-157 Show 5
098-127 Show 4	098-127 Show 4
068-097 Show 3	068-097 Show 3
038-067 Show 2	038-067 Show 2
008-037 Show 1	008-037 Show 1
000-007 Blackout	000-007 Blackout

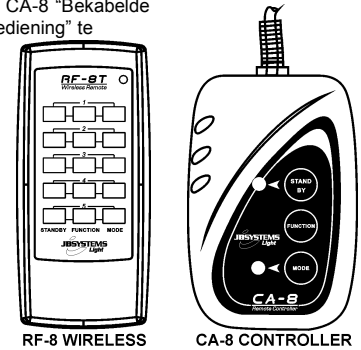
7-CH mode						
Ch1	Ch2	Ch3	Ch4	Ch5	Ch 6	Ch 7
Red	Green	Blue	Dimmer	Strobe	Color Chase	Speed
255 100%	255 100%	255 100%	255 100%	255 248-255 Sound Strobe 008-247 0-7 Strobe OFF	248-255 Stand Alone 235-247 Chase 12 220-234 Chase 11 205-219 Chase 10 190-204 Chase 9 160-189 Chase 8 145-159 Chase 7 130-144 Chase 6 115-129 Chase 5 100-114 Chase 4 070-099 Chase 3 055-069 Chase 2 040-054 Chase 1 024-039 Fade 2 008-023 Fade 1 000-007 Manual	255 Fast 008-255 0-7 Slow Hold



BEDIEN HET APPARAAT VIA DE CA8 OF RF8-SET

Bij gebruik in stand-alone- of master/slave-modus raden wij u aan de CA-8 "Bekabelde gemakkelijke bediening" of de RF-8-SET "Draadloze gemakkelijke bediening" te gebruiken.

- **CA-8 bekabelde afstandsbediening:** Sluit de controller aan op de stekkingang van het eerste apparaat (master).
- **RF-8-SET draadloze afstandsbediening:** de draadloze afstandsbediening bestaat uit twee delen:
 - **RF-8T:** Een kleine RF-zender dat maximaal 5 effecten kan bedienen.
 - **RF-8R:** een kleine RF-ontvanger dat op de DIN-5-pins ingang van de LED RAINBOW moet worden aangesloten. Zie de installatiehandleiding van de ontvanger voor meer informatie.



Nu kunt u alle aangesloten units bedienen:

Blackout	Blackout het apparaat		
FUNCTIE	1. Synchrone stroboscoop in wit 2. Asynchrone stroboscoop in wit 3. Geluidstroboscoop in kleur	Kleur selecteren 17. Rood 18. Groen 19. Blauw 20. Rood + Groen 21. Rood + Blauw 22. Groen + Blauw 23. Rood + Groen + Blauw 24. Kleurverandering door geluid	Selecteer show 1-8
MODUS	Geluid/Stroboscoop (LED UIT)	Aangepaste kleur (LED AAN)	LED knippert

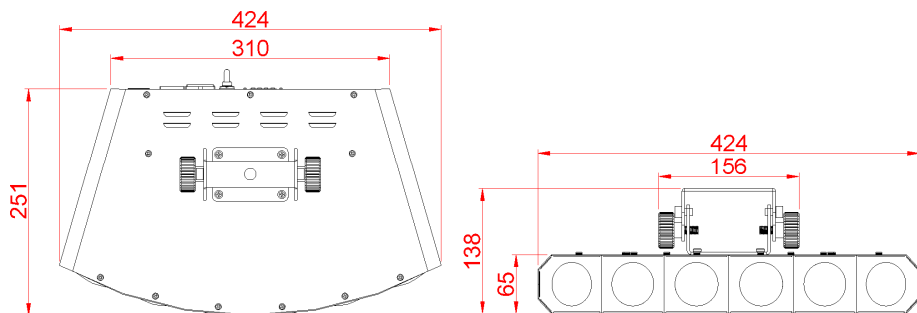
ONDERHOUD

- Zorg ervoor dat het gebied onder de installatieplaats tijdens het takelen, ontakelen en onderhoud vrij is van ongewenste personen.
- Schakel het apparaat uit, ontkoppel het netsnoer en wacht totdat het apparaat is afgekoeld.
- Tijdens de inspectie moeten de volgende punten worden gecontroleerd:**
- Alle schroeven gebruikt voor het installeren van het apparaat of onderdelen van het apparaat, moeten stevig worden bevestigd en mogen niet gecorrodeerd zijn.
- Behuizingen, bevestigingen en installatieplaatsen (plafond, dragers, ophangingen) moeten volledig vrij van vervorming zijn.
- Wanneer een optische lens zichtbaar door scheuren of diepe krassen is beschadigd, moet het worden vervangen.
- De netsnoeren moeten in perfecte conditie zijn en onmiddellijk worden vervangen wanneer zelfs een klein probleem wordt gedetecteerd.
- Om het apparaat tegen oververhitting te beschermen moeten de ventilatoren (indien aanwezig) en ventilatieopeningen maandelijks worden gereinigd.
- Het interieur van het apparaat moeten jaarlijks met een stofzuiger of luchtstraal worden gereinigd.
- Het reinigen van de interne en externe optische lenzen en/of spiegels moet regelmatig worden uitgevoerd om de lichtopbrengst te optimaliseren. De frequentie van reiniging hangt af van de omgeving waarin de armatuur werkt: een vochtige, rokerige of bijzonder vuile omgeving kan leiden tot een grotere opeenhoping van vuil op de optiek van het apparaat.
 - Reinig met een zachte doek met behulp van normale reinigingsmiddelen voor glas.
 - Droog de onderdelen altijd zorgvuldig.

Opgelet: Wij raden nadrukkelijk aan om het inwendig reinigen door gekwalificeerd personeel uit te laten voeren!

SPECIFICATIES

Energievoorziening:	AC100 V~240 V, 50/60 HZ
Energieverbruik:	39 Watt
Zekering:	250 V T6,3 A (20 mm glas)
Geluidbesturing:	Ingebouwde microfoon
DMX-aansluitingen:	3-pins XLR mannelijk/vrouwelijk
Gebruikte DMX-kanalen:	1, 7, 22 kanalen
Lamp:	6x 3 Watt drie-kleuren LED's
Afmetingen:	424 x 251 x 65 cm (met beugel: 138 mm)
Gewicht:	3,6kg



De informatie kan zonder voorafgaande kennisgeving worden gewijzigd
 U kunt de nieuwste versie van deze handleiding van onze website downloaden: www.beglec.com.

BEDIENUNGSANLEITUNG

Vielen Dank für den Kauf dieses JBSystems®-Produkts. Bitte lesen Sie bitte diese Bedienungshinweise sorgfältig vor der Inbetriebnahme durch, um alle Möglichkeiten des Geräts voll zu nutzen sowie zu Ihrer eigenen Sicherheit.

EIGENSCHAFTEN

Dieses Gerät ist entstickt. Das Gerät entspricht den aktuellen europäischen Anforderungen und nationalen Richtlinien. Die Konformität wurde nachgewiesen und die entsprechenden Erklärungen und Unterlagen liegen beim Hersteller vor.

- Dieses Gerät wird zur Erzeugung von dekorativen Beleuchtungseffekten in Lichtshows eingesetzt.
- Ein kompakter, aber leistungsstarker mehrstrahliger LED-Effekt!
- Jeder der 6 Linsen enthält eine leistungsfähige RGB LED mit 3 Watt.
- Dank der perfekten Farbmischung können die sechs Strahlen jede gewünschte Farbe annehmen!
- Jeder 9°-Strahl kann individuell gesteuert werden, um unendliche Kombinationen individueller Effekte zu erzeugen.
- Hervorragende voreingestellte Programme für wunderschöne, abwechslungsreiche Lightshows:
 - Einzelbetrieb: Musikgesteuert mit eingebautem Mikro.
 - Master/Slave: Wundervolle synchronisierte Shows.
 - DMX-Master/Slave: Dank dieser neuen revolutionären Funktion können mehrere LED Rainbow-Geräte im Master/Slave Modus arbeiten, gesteuert von einem DMX Controller! Auch während dem Anschluss in einer DMX Kette! (ein optionaler Mini DMX Splitter ist erforderlich)
- DMX: 22 Kanäle für volle Kontrolle oder einfache Steuerung mit nur 1 oder 7 Kanälen.
- 2 Fernsteuerungen als Zubehör erhältlich:
 - CA-8: Kabelgebundene Fernsteuerung für eine verbesserte Master/Slave-Steuerung.
 - RF-8 Set: Drahtlose Funk-Fernsteuerung für eine verbesserte Master/Slave-Steuerung.
- Verwendet sechs leistungsstarke RGB LEDs mit 3 Watt:
 - Äußerst schillernde Farben verglichen mit Halogenlampen-Effekten.
 - Dynamischere Effekte als Halogenlampen-Effekte.
 - Kein Lampenaustausch und sehr geringe Leistungsaufnahme.
- IEC-Verkabelung für die komfortable Verknüpfung über optionale IEC-Kabel.
- Ideal für verschiedene Anwendungen: Diskos, Clubs, mobile DJs, ...

VOR DER ERSTBENUTZUNG

- Vor der Erstbenutzung bitte das Gerät zuerst auf Transportschäden überprüfen. Sollte das Gerät einen Schaden aufweisen, benutzen Sie es nicht, sondern wenn Sie sich unverzüglich an Ihren Händler.
- **Wichtiger Hinweis:** Dieses Gerät hat das Werk unbeschädigt und gut verpackt verlassen. Es ist wichtig, dass der Benutzer sich streng an die Sicherheitshinweise und Warnungen in der Bedienungsanleitung hält. Schäden durch unsachgemäße Handhabung sind von der Garantie ausgeschlossen. Der Händler übernimmt keine Verantwortung für Schäden, die durch Nichtbeachtung der Bedienungsanleitung hervorgerufen wurden.
- Die Bedienungsanleitung zum zukünftigen Nachschlagen bitte an einem sicheren Ort aufbewahren. Bei Verkauf oder sonstiger Weitergabe des Geräts bitte die Bedienungsanleitung beifügen.

Packungsinhalt prüfen:

Bitte überprüfen Sie, ob die Verpackung folgende Artikel enthält:

- Bedienungsanleitung
- LED Regenbogen
- Netzkabel

SICHERHEITSHINWEISE



ACHTUNG: Um sich nicht der Gefahr eines elektrischen Schlags auszusetzen, entfernen Sie keines der Gehäuseteile. Im Geräteinneren befinden sich keine vom Benutzer wartbaren Teile. Überlassen Sie Reparatur- und Wartungsarbeiten dem qualifizierten Kundendienst.



Das Blitzsymbol innerhalb eines gleichseitigen Dreiecks warnt den Benutzer vor nicht isolierter „gefährlicher Spannung“ im Innern des Produktgehäuses, die so stark sein kann, dass für Personen die Gefahr von Stromschlägen besteht.



Das Ausrufezeichen im Dreieck weist den Benutzer auf wichtige Bedienungs- und Wartungshinweise in den Dokumenten hin, die dem Gerät beiliegen.



Dieses Symbol bedeutet: Nur innerhalb von Räumen verwenden.



Dieses Symbol bedeutet: Die Bedienungsanleitung lesen.



Dieses Symbol bedeutet: Das Gerät besitzt Schutzklasse I.



Dieses Symbol legt fest: Den minimalen Abstand von beleuchteten Objekten. Der minimale Abstand zwischen Projektor und dem beleuchteten Objekt muss mehr als 1 Meter betragen.



Das Gerät eignet sich nicht für die direkte Montage auf gängigen entflammenden Oberflächen. (Nur für die Montage auf nichtbrennbare Oberflächen geeignet)



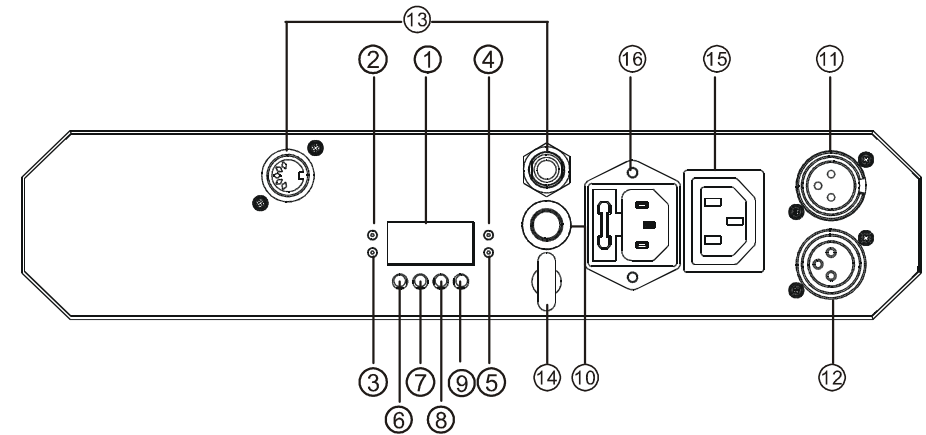
ACHTUNG: Nicht direkt in die Lichtquelle blicken. Das kann für die Augen schädlich sein.

- Aus Umweltschutzgründen Verpackung bitte wiederverwenden oder richtig trennen.
- Zur Vermeidung von Feuer und Stromschlag Gerät weder Regen noch Feuchtigkeit aussetzen.
- Zur Vermeidung von Kondensation im Inneren des Geräts bitte nach dem Transport in eine warme Umgebung einige Zeit zum Temperatúrausgleich ausgeschaltet stehen lassen. Kondensation kann zu Leistungsverlust des Geräts oder gar Beschädigung führen.
- Nur für den Einsatz im Innenbereich.
- Keine Metallgegenstände oder Flüssigkeiten ins Innere des Geräts gelangen lassen. Ein Kurzschluss oder eine Fehlfunktion können die Folge sein. Falls es doch einmal vorkommen sollte, bitte sofort den Netzstecker ziehen und vom Stromkreis trennen.
- Das Gerät nur an einem gut belüfteten Ort und entfernt von entflammenden Materialien oder Flüssigkeiten aufstellen. Der Mindestabstand an allen Seiten muss mindestens 50cm betragen.
- Die Ventilationsöffnungen nicht abdecken, da Überhitzungsgefahr.
- Nicht in staubiger Umgebung verwenden und regelmäßig reinigen.
- Für Kinder unerreichbar aufbewahren.
- Unerfahrene Personen dürfen das Gerät nicht bedienen.
- Umgebungstemperatur darf 40°C nicht überschreiten. Das Gerät bei höheren Raumtemperaturen nicht verwenden.
- Stellen Sie sicher, dass sich während des Auf- oder Abbaus und der Wartung keine unbefugten Personen unterhalb des Geräts befinden.
- Lassen Sie das Gerät etwa 10 Minuten abkühlen, bevor Sie mit der Wartung beginnen.
- Stets den Netzstecker ziehen, wenn das Gerät für einen längeren Zeitraum nicht genutzt oder es gewartet wird.
- Die elektrische Installation darf nur von qualifiziertem Personal, unter Beachtung der Vorschriften zur elektrischen und mechanischen Sicherheit in Ihrem Land durchgeführt werden.
- Stellen Sie sicher, dass Netzspannung mit Geräteaufkleber übereinstimmt.
- Das Gerät nicht mit einem beschädigten Netzkabel in Betrieb nehmen. Wenn das Netzkabel quetscht oder beschädigt wurde, schalten Sie das Gerät sofort aus. Im Falle von Beschädigungen muss das Netzkabel vom Hersteller, einem autorisierten Kundendienstmitarbeiter oder einer ähnlich qualifizierten Person ersetzt werden, um Gefährdungen zu vermeiden.
- Lassen Sie das Netzkabel niemals mit anderen Kabeln in Berührung kommen!
- Zur Einhaltung der Sicherheitsbestimmungen muss das Gerät geerdet sein.
- Das Gerät nicht an einen Dimmer anschließen.
- Ausschließlich vorschriftsmäßige Kabel zur Installation verwenden.
- Zur Vorbeugung gegen elektrische Schläge keine Abdeckungen entfernen. Im Geräteinneren befinden sich keine wartenden Teile.

- Eine Sicherung **niemals** reparieren oder überbrücken. Eine durchgebrannte Sicherung **stets** durch eine gleichwertige Sicherung ersetzen!
- Bei Fehlfunktion das Gerät nicht benutzen und sich mit dem Händler in Verbindung setzen.
- Bei sichtbaren Beschädigungen müssen Gehäuse und Optik ersetzt werden.
- Bei Transport bitte die Originalverpackung verwenden, um Schäden am Gerät zu vermeiden.
- Aus Sicherheitsgründen dürfen an dem Gerät keine unbefugten Veränderungen vorgenommen werden.

Wichtiger Hinweis: Nicht direkt in die Lichtquelle blicken! Das Gerät nicht verwenden, wenn sich Personen im Raum befinden, die unter Epilepsie leiden.

BESCHREIBUNG:



1. DISPLAY: Zeigt die verschiedenen Menüs und die gewählten Funktionen an.
2. DMX-LED: Leuchtet auf, wenn das Gerät ein DMX-Signal erhält.
3. Master-LED: Leuchtet auf, wenn das Gerät als Master eingestellt wurde.
4. Slave-LED: Leuchtet auf, wenn sich das Gerät im Slave-Modus befindet.
5. Sound-LED: Blinkt im Takt der Musik, wenn sich das Gerät im Audiomodus befindet.
6. MENÜ-Taste: Zum Wählen der verschiedenen Menüpunkte.
7. ABWÄRTS-Taste: Zum Zurückgehen im Menü und zum Verringern der auf dem Display angezeigten Werte.
8. AUFWÄRTS-Taste: Zum Vorwärtsgen im Menü und zum Erhöhen der auf dem Display angezeigten Werte.
9. ENTER-Taste: Bestätigen der Auswahl.
10. Integriertes Mikrofon
11. DMX-Eingang
12. DMX-Ausgang
13. Fernbedienungseingänge:
 - Eingangsbuchse: Zum Anschluss einer CA-8 Steuerung
 - Din-Eingang: Zum Anschluss der drahtlosen RF-8 Steuerung
14. Sicherheits-Augbolzen: zur Anbringung eines Sicherheitskabels bei Überkopfmontage (s. Abschnitt „Überkopfmontage“).
15. Netzausgang mit IEC-Anschlussbuchse: Sie können ein spezielles IEC-Stromkabel benutzen, um diesen Ausgang einfacher mit dem Netzeingang des folgenden LED REGENBOGEN zu verbinden..
16. Netzanschluss mit IEC-Buchse mit integrierter Sicherung zum Anschluss des Netzkabels.

HAUPTMENÜ:

- Drücken Sie zur Auswahl der Funktionen die Taste MENU bis die gewünschte Funktion angezeigt wird oder ändern Sie den ausgewählten Punkt mit den Tasten DOWN und UP.
- Drücken Sie zur Auswahl einer Funktion die Taste ENTER (Anzeige beginnt zu blinken).
- Zur Modusänderung verwenden Sie bitte die Tasten DOWN und UP.
- Wenn der gewünschte Modus eingestellt ist, bestätigen Sie diesen mit ENTER.

Bei kurzem Betätigen der Taste MENU können Sie zum Hauptmenü zurückzukehren, ohne eine Änderung vorzunehmen. Das Hauptmenü ist in der Übersicht abgebildet.

DMX-Adresse

Zur Einstellung der Startadresse in einem DMX-Setup.

- Drücken Sie die Taste MENU bis „Addr“ auf dem Display angezeigt wird.
- Drücken Sie die ENTER Taste. Das Display beginnt nun zu blinken.
- Ändern Sie die DMX-Adresse nun mit den Tasten DOWN und UP.
- Wenn Sie die korrekte Adresse eingestellt haben, speichern Sie Ihre Auswahl mit ENTER.

Bei kurzem Betätigen der Taste MENU können Sie zum Hauptmenü zurückzukehren, ohne eine Änderung vorzunehmen. Drücken Sie die MENU-Taste für etwa 2 Sekunden, um das Menü zu verlassen und zum normalen Betriebsmodus zurückzukehren.

Modus „Channel“

Zur Einstellung des gewünschten Channel-Setup-Modus.

- Drücken Sie die Taste MENU, bis „ChMd“ auf dem Display angezeigt wird.
- Drücken Sie die ENTER Taste. Das Display beginnt nun zu blinken.
- Verwenden Sie die DOWN (Abwärts) und UP (Aufwärts) zur Auswahl von 1MSL, 1Ch, 7Ch oder 22Ch.
- Sobald der gewünschte Channel-Modus auf dem Display angezeigt wird, können Sie die Einstellungen mit der Taste ENTER abspeichern.

Bei kurzem Betätigen der Taste MENU können Sie zum Hauptmenü zurückzukehren, ohne eine Änderung vorzunehmen.

Drücken Sie die MENU-Taste für etwa 2 Sekunden, um das Menü zu verlassen und zum normalen Betriebsmodus zurückzukehren.

Modus „Show“

Zur Auswahl des Show-Modus im Einzel- oder Master-/Slave-Betrieb.

- Drücken Sie die Taste MENU, bis „ShMd“ auf dem Display angezeigt wird.
- Drücken Sie die ENTER Taste. Das Display beginnt nun zu blinken.
- Benutzen Sie DOWN (Abwärts) und UP (Aufwärts), um eine der 8 verfügbaren Shows zu wählen: Show1 (Sh 1) bis Show8 (Sh 8):
- Sobald der richtige Show-Modus auf dem Display angezeigt wird, können Sie diesen mit der Taste ENTER abspeichern.

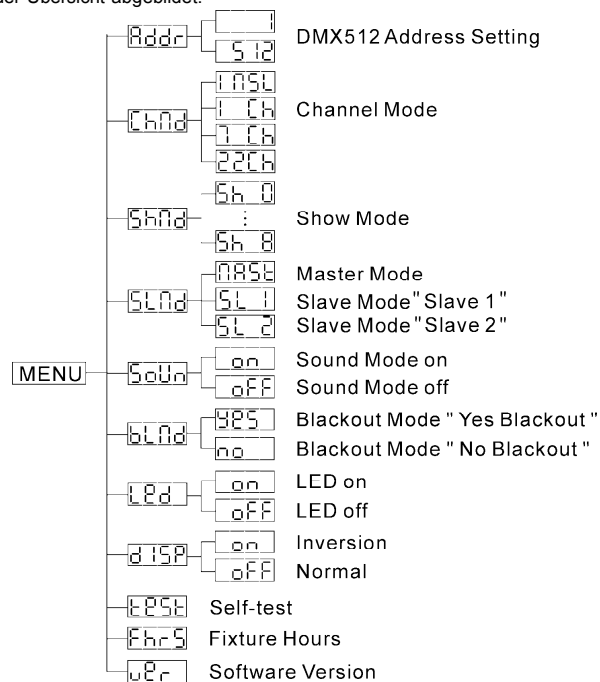
Bei kurzem Betätigen der Taste MENU können Sie zum Hauptmenü zurückzukehren, ohne eine Änderung vorzunehmen.

Drücken Sie die MENU-Taste für etwa 2 Sekunden, um das Menü zu verlassen und zum normalen Betriebsmodus zurückzukehren.

Slave-Modus

Wird verwendet, um den Projektor als Master- oder Slave-Einheit einzustellen.

- Drücken Sie die Taste MENU, bis „SLMd“ auf dem Display angezeigt wird.
- Drücken Sie die ENTER Taste. Das Display beginnt nun zu blinken.
- Wenn der gewünschte Modus eingestellt ist, speichern Sie diesen mit ENTER.



Bei kurzem Betätigen der Taste MENU können Sie zum Hauptmenü zurückzukehren, ohne eine Änderung vorzunehmen.

Drücken Sie die MENU-Taste für etwa 2 Sekunden, um das Menü zu verlassen und zum normalen Betriebsmodus zurückzukehren.

Musiksteuerung

Wenn am Gerät die Musiksteuerung eingeschaltet wurde, arbeitet es im Rhythmus des Takts, wenn es im Standalone- oder Master/Slave-Modus verwendet wird.

- Drücken Sie die Taste MENU, bis „SOUN“ auf dem Display angezeigt wird.
- Drücken Sie die ENTER Taste. Das Display beginnt nun zu blinken.
- Wählen Sie über die Tasten DOWN und UP entweder „On“ (Sound-Modus einschalten) oder „Off“ (Sound-Modus ausschalten) aus.
- Wenn der gewünschte Modus eingestellt ist, speichern Sie Ihre Auswahl mit ENTER.

Bei kurzem Betätigen der Taste MENU können Sie zum Hauptmenü zurückzukehren, ohne eine Änderung vorzunehmen.

Drücken Sie die MENU-Taste für etwa 2 Sekunden, um das Menü zu verlassen und zum normalen Betriebsmodus zurückzukehren.

Modus „Blackout“: Wird kein DMX-Signal erkannt, geht das Gerät in Blackout und wartet auf das DMX-Signal.

Blackout-Modus EIN:

Blackout-Modus AUS: Wird kein DMX-Signal erkannt, schaltet das Gerät automatisch auf Standalone um.

- Drücken Sie die Taste MENU, bis „bLMD“ auf dem Display angezeigt wird.
- Drücken Sie die ENTER Taste. Das Display beginnt nun zu blinken.
- Wählen Sie über die Tasten DOWN und UP entweder „Yes“ (Blackout-Modus einschalten) oder „No“ (Blackout-Modus ausschalten) aus.
- Wenn der gewünschte Modus eingestellt ist, speichern Sie diesen mit ENTER.

Bei kurzem Betätigen der Taste MENU können Sie zum Hauptmenü zurückzukehren, ohne eine Änderung vorzunehmen.

Drücken Sie die MENU-Taste für etwa 2 Sekunden, um das Menü zu verlassen und zum normalen Betriebsmodus zurückzukehren.

LED-Display

Display EIN: Das Display ist ständig eingeschaltet.

Display AUS: Das Display ist ausgeschaltet, wenn nicht benutzt.

- Drücken Sie die Taste MENU, bis „LED“ auf dem Display angezeigt wird.
- Drücken Sie die ENTER Taste. Das Display beginnt nun zu blinken.
- Verwenden Sie DOWN (Abwärts) und UP (Aufwärts), um „on“ (Display ist ständig eingeschaltet) oder „off“ (Display aus, wenn nicht in Benutzung) zu wählen.
- Wenn der gewünschte Modus eingestellt ist, speichern Sie diesen mit ENTER.

Bei kurzem Betätigen der Taste MENU können Sie zum Hauptmenü zurückzukehren, ohne eine Änderung vorzunehmen.

Drücken Sie die MENU-Taste für etwa 2 Sekunden, um das Menü zu verlassen und zum normalen Betriebsmodus zurückzukehren.

Display-Umkehrung

Display Umkehrung EIN: Display ist lesbar, wenn Gerät auf dem Kopf stehend auf einem Bodenstandfuß installiert ist.

Display Umkehrung AUS: Display ist lesbar, wenn das Gerät von einem Balken oder T-Träger herunterhängt.

- MENU-Taste drücken, bis „dISP“ im Display blinkt. (Normales Display)
- Wechseln Sie mit ENTER um den Modus auf „dSIP“ (Display-Umkehrung). Die Option wird nach 8 Sekunden automatisch gespeichert. Oder drücken Sie erneut ENTER, um wieder in den Modus „dISP“ (normale Anzeige) zurückzukehren.
- Um zu den Funktionen zurückzukehren, drücken Sie bitte die Taste MENU.
- Drücken Sie die MENU-Taste für etwa 2 Sekunden, um das Menü zu verlassen und zum normalen Betriebsmodus zurückzukehren.

Selbsttest

Zur Aktivierung der eingebauten „Selbsttest“-Funktion, die alle Funktionen des Geräts überprüft.

- Drücken Sie die Taste MENU, bis „teSt“ auf dem Display angezeigt wird.
- Starten Sie das interne Selbsttestprogramm über die Taste ENTER.

• Um zu den Funktionen zurückzukehren, drücken Sie bitte die Taste MENU. Drücken Sie die MENU-Taste für etwa 2 Sekunden, um das Menü zu verlassen und zum normalen Betriebsmodus zurückzukehren.

Betriebsstunden

Zeigt die Betriebszeit des Geräts an.

- Drücken Sie die Taste MENU, bis „FhrS“ auf dem Display angezeigt wird.
- Zur Anzeige der Betriebsstunden drücken Sie bitte die Taste ENTER.
- Um zu den Funktionen zurückzukehren, drücken Sie bitte die Taste MENU.

Drücken Sie die MENU-Taste für etwa 2 Sekunden, um das Menü zu verlassen und zum normalen Betriebsmodus zurückzukehren.

Software-Version

Zeigt die Versionsnummer der installierten Software an.

- Drücken Sie die Taste MENU, bis „uer“ auf dem Display angezeigt wird.
- Aktivieren Sie die Anzeige der Version mit der Taste ENTER.
- Um zu den Funktionen zurückzukehren, drücken Sie bitte die Taste MENU.

Drücken Sie die MENU-Taste für etwa 2 Sekunden, um das Menü zu verlassen und zum normalen Betriebsmodus zurückzukehren.

ÜBERKOPF-MONTAGE

- **Wichtiger Hinweis:** Die Montage ausschließlich durch qualifiziertes Fachpersonal durchführen lassen. Unvorschriftsmäßiger Einbau kann erhebliche Verletzungen und/oder Schäden verursachen. Die Überkopf-Montage setzt die entsprechende Erfahrung voraus! Die Belastungsgrenzen müssen beachtet, geeignetes Installationsmaterial muss verwendet und das installierte Gerät muss in regelmäßigen Abständen überprüft werden.
- Stellen Sie sicher, dass sich während des Auf- oder Abbaus und der Wartung keine unbefugten Personen unterhalb des Geräts befinden.
- Das Gerät nur an einem gut belüfteten Ort und entfernt von entflammaren Materialien und/oder Flüssigkeiten aufstellen. Der Mindestabstand an allen Seiten muss **mindestens 50cm** betragen.
- Das Gerät außerhalb der Reichweite von Personen und nicht in niedrigen Durchgängen oder in der Nähe von Sitzgelegenheiten installieren.
- Vor Montage sicherstellen, dass die gewählte Position wenigstens das 10-fache Gerätegewicht aufnehmen kann.
- Zur Aufhängung stets geeignetes Befestigungsmaterial verwenden, das das 12-fache Gerätegewicht aushalten kann. Eine zweite Sicherungsaufhängung muss angebracht werden, die ein Absacken des Geräts von mehr als 20 cm verhindert, sollte die Befestigung brechen. Das Gerät gut befestigen.
- Eine freischwingende Aufhängung ist gefährlich und sollte auf gar keinen Fall in Betracht gezogen werden!
- Die Ventilationsöffnungen nicht abdecken, da Überhitzungsgefahr.
- Der Betreiber muss sicherstellen, dass die sicherheitsrelevanten und technischen Installationen vor Erstbetrieb fachmännisch vorgenommen worden sind. Installationen sollten jährlich durch qualifiziertes Fachpersonal überprüft werden, um jederzeit einen sicheren Betrieb zu gewährleisten.

ELEKTROINSTALLATION + ADRESSIERUNG

Wichtiger Hinweis: Die elektrische Installation darf nur von qualifiziertem Personal, unter Beachtung der Vorschriften zur elektrischen und mechanischen Sicherheit in Ihrem Land durchgeführt werden.

Montage einer Einzeleinheit:

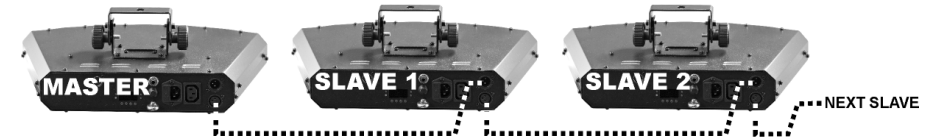
- Stecken Sie einfach den Netzstecker in eine Steckdose. Das Gerät fängt sofort an im Standalone-Modus zu arbeiten.

Hinweis 1: Sie können eine CA-8 oder RF-8 Steuerung an der Einheit anschließen. Weitere Informationen hierzu finden Sie im Abschnitt „Verwendung“.

Hinweis 2: Wenn keine Ausgabe erfolgt, vergewissern Sie sich, dass das Gerät in den Master-Modus eingestellt ist und der Blackout-Modus auf „NO“ (Nicht) und die Musikaktivierung auf „On“ (Ein) gesetzt wurde (siehe voriges Kapitel).

Die elektrische Installation für zwei oder mehr Geräte in Master/Slave-Modus:

In diesem Modus zeigen die Einheiten eine synchronisierte Show zum Musikrhythmus.



- Verbinden Sie ihre Einheiten unter Verwendung hochwertiger Mikrofonkabel miteinander. Die erste Einheit in der Kette muss als Master, die anderen müssen als Slave-Einheiten eingestellt worden sein.
- Stellen Sie sicher, dass alle Geräte ans Netz angeschlossen sind.
- Fertig!

Hinweis: Sie können eine CA-8 oder RF-8 Steuerung an der Einheit anschließen, wenn Sie wünschen, den Master-/Slave-Betrieb genauer steuern zu können.

Hinweis 2: Wenn keine Ausgabe erfolgt, achten Sie bitte darauf, dass das erste Gerät in den Master-Modus eingestellt ist und der Blackout-Modus auf „NO“ (Nicht) und die Musikaktivierung auf „On“ (Ein) gesetzt wurde (siehe voriges Kapitel).

Montage von zwei oder mehr Einheiten als DMX-Master/Slave:

In diesem Modus zeigen die Einheiten eine synchronisierte Show zum Musikrhythmus aber Sie können einige Funktionen noch am Master über 1 DMX-Kanal regulieren.

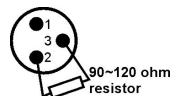


- Für einen reibungslosen Betrieb benötigen Sie einen optionalen „Mini DMX-SPLITTER“, um die Master/Slave-Leitung von der Haupt-DMX-Leitung zu isolieren, siehe Zeichnung.
- Verbinden Sie ihre Einheiten unter Verwendung hochwertiger Mikrofonkabel miteinander. Die erste Einheit in der Kette muss als Master, die anderen müssen als Slave-Einheiten eingestellt worden sein.
- Stellen Sie den Master auf den Channel-Modus „1MSL“ (s. vorheriges Kapitel).
- Aus Sicht des DMX-Controller handelt es sich bei Master und den diversen Slaves um 1 virtuellen Effekt, der eine Startadresse benötigt und kann insofern genauso wie jede andere DMX-Einheit in der DMX-Kette gesteuert werden: zum Vergeben einer DMX-Startadresse s. „DMX Adresse“ im Kapitel „Hauptmenü“.
- Stellen Sie sicher, dass alle Geräte ans Netz angeschlossen sind.
- Stellen Sie den DMX-Controller anhand der DMX-Tabelle (s.u.) ein.
- Fertig!

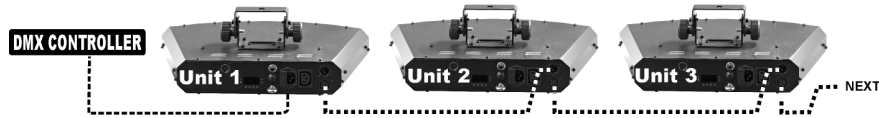
Hinweis: Für einen reibungslosen Betrieb zum Rhythmus der Musik stellen Sie sicher, dass die Option „Musikgesteuert“ am Master auf „On“ eingestellt ist (siehe voriges Kapitel).

Montage von zwei oder mehr Einheiten im DMX-Modus:

- Das DMX-Protokoll ist ein gängiges Hochgeschwindigkeitssignal, um intelligente Lichtsysteme zu steuern. Sie müssen Ihren DMX-Controller und alle angeschlossenen Geräte mit einem hochwertigen symmetrischen Kabel hintereinander schalten (Daisy Chain).
- Es werden sowohl 3-polige als auch 5-polige-XLR-Stecker benutzt, allerdings ist der 3-polige XLR-Stecker gängiger, da diese Kabel mit symmetrischen Audiokabeln kompatibel sind.
 - Stiftanordnung 3-poliger XLR-Stecker: Pin1 = GND ~ Pin2 = Negatives Signal (-) ~ Pin3 = Positives Signal (+).
 - Stiftanordnung 5-poliger XLR-Stecker: Pin1 = GND ~ Pin2 = Negatives Signal (-) ~ Pin3 = Positives Signal (+) ~ Pins 4+ 5 nicht benutzt.
- Um durch Interferenzen verursachte Fehlfunktionen der Lichteffekte zu vermeiden, müssen Sie die Kette mit einem 90Ω bis 120Ω Abschlusswiderstand abschließen. Verwenden Sie niemals Y-Splitter-Kabel, das funktioniert einfach nicht!



- Stellen Sie sicher, dass alle Geräte ans Netz angeschlossen sind.
- Jeder Lichteffekt in der Kette muss seine eigene Startadresse haben, damit er erkennt, welche Befehle des Controllers er entschlüsseln muss.



EINSTELLEN DER RICHTIGEN STARTADRESSE:

Zum Einstellen einer Startadresse vgl. Sie bitte vorheriges Kapitel (DMX-512 Adresseinstellung). Die Startadresse jeder Einheit ist von großer Wichtigkeit. Leider ist es unmöglich, Ihnen hier schon die richtigen Adressen mitzuteilen, denn die Startadressen, die für Ihre Anlage einzustellen sind, hängen vom Controller ab, den Sie benutzen. Schauen Sie deswegen bitte im Handbuch Ihres DMX-Controllers nach, welche Startadressen Sie einstellen müssen.

DMX-KONFIGURATION

1MSL Mode	1-CH mode
Ch1	Ch1
Shows	Shows
248-255 Random Show	248-255 Random Show
218-247 Show 8	218-247 Show 8
188-217 Show 7	188-217 Show 7
158-187 Show 6	158-187 Show 6
128-157 Show 5	128-157 Show 5
098-127 Show 4	098-127 Show 4
068-097 Show 3	068-097 Show 3
038-067 Show 2	038-067 Show 2
008-037 Show 1	008-037 Show 1
000-007 Blackout	000-007 Blackout

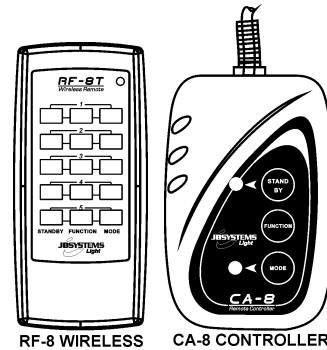
7-CH mode						
Ch1	Ch2	Ch3	Ch4	Ch5	Ch6	Ch7
Red	Green	Blue	Dimmer	Strobe	Color Chase	Speed
255 100% 0 0%	255 100% 0 0%	255 100% 0 0%	255 100% 0 0%	255 248-255 Sound Strobe 008-247 0-7 Strobe OFF	248-255 Stand Alone 235-247 Chase 12 220-234 Chase 11 205-219 Chase 10 190-204 Chase 9 160-189 Chase 8 145-159 Chase 7 130-144 Chase 6 115-129 Chase 5 100-114 Chase 4 070-099 Chase 3 055-069 Chase 2 040-054 Chase 1 024-039 Fade 2 008-023 Fade 1 000-007 Manual	255 Fast 008-255 0-7 Slow Hold

22-CH mode								
Ch1	Ch2	Ch3	Ch4	Ch5	Ch6	Ch7	Ch8	Ch9
Red 1	Green 1	Blue 1	Red 2	Green 2	Blue 2	Red 3	Green 3	Blue 3
255 100% 0 0%	255 100% 0 0%	255 100% 0 0%	255 100% 0 0%	255 100% 0 0%	255 100% 0 0%	255 100% 0 0%	255 100% 0 0%	255 100% 0 0%
Ch10	Ch11	Ch12	Ch13	Ch14	Ch15	Ch16	Ch17	Ch18
Red 4	Green 4	Blue 4	Red 5	Green 5	Blue 5	Red 6	Green 6	Blue 6
255 100% 0 0%	255 100% 0 0%	255 100% 0 0%	255 100% 0 0%	255 100% 0 0%	255 100% 0 0%	255 100% 0 0%	255 100% 0 0%	255 100% 0 0%
Ch19	Ch20	Ch21	Ch22					
Dimmer	Strobe	Color Chase	Speed					
255 100% 0 0%	255 248-255 Sound Strobe 008-247 0-7 Strobe OFF	248-255 Stand Alone 235-247 Chase 12 220-234 Chase 11 205-219 Chase 10 190-204 Chase 9 160-189 Chase 8 145-159 Chase 7 130-144 Chase 6 115-129 Chase 5 100-114 Chase 4 070-099 Chase 3 055-069 Chase 2 040-054 Chase 1 024-039 Fade 2 008-023 Fade 1 000-007 Manual	255 Fast 008-255 0-7 Slow Hold					

BETRIEB MIT CA8 ODER RF8SET

Im Einzel- und Master/Slave-Modus ist es sehr empfehlenswert, ein CA-8 "Kabel-Controller" oder RF-8SET "Funk-Controller" zu verwenden.

- **CA-8 kabelgebundene Fernsteuerung:** Verbinden Sie die Fernsteuerung mit den Buchseneingang des ersten Geräts (Master).
- **RF-8SET drahtlose Fernsteuerung:** Die drahtlose Fernsteuerung besteht aus 2 Teilen:
 - **RF-8T:** Kleiner RF-Transmitter, der bis zu 5 Effekte steuern kann.
 - **RF-8R:** Kleiner Funkempfänger, der an den 5-poligen DIN-Eingang des LED RAINBOW angeschlossen wird. Für weitere Informationen siehe die Bedienungsanleitung des Empfängers.



Nun können Sie alle angeschlossenen Einheiten steuern:

Blackout	Blackout des Geräts		
Function	1. Synchrones Stroboskop in weiß 2. Asynchrones Stroboskop in weiß 3. Musikgesteuertes Stroboskop mit mehreren Farben	Farbe wählen 25. Rot 26. Grün 27. Blau 28. Rot + Grün 29. Rot + Blau 30. Grün + Blau 31. Rot + Grün + Blau 32. Farbwechsel nach Musik	Show wählen 1-8
Mode	Musik/Stroboskop (LED AUS)	Manuelle Farbe (LED leuchtet)	LED blinkt

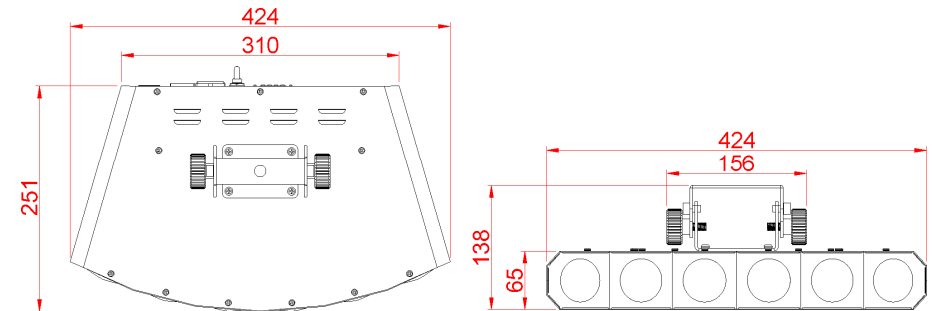
WARTUNG

- Stellen Sie sicher, dass sich keine unbefugten Personen unterhalb des Geräts befinden, während es gewartet wird.
- Schalten Sie das Gerät aus, ziehen Sie den Netzstecker und warten Sie, bis es sich abgekühlt hat.
- **Während der Wartung sind folgende Punkte ganz besonders zu beachten:**
- Sämtliche Schrauben zur Installation und Befestigung jeglicher Teile müssen fest angezogen und rostfrei sein.
- Gehäuse, Befestigungsmaterialien und Aufhängungen (Decke, Balken, abgehängte Decken) dürfen keine Anzeichen von Verformung aufweisen.
- Wenn die Optik sichtbar beschädigt ist (Sprünge oder tiefe Kratzer), dann müssen die entsprechenden Teile ausgetauscht werden.
- Das Netzkabel muss stets in einwandfreiem Zustand sein und selbst bei kleinsten Beschädigungen erneuert werden.
- Zur Vermeidung von Überhitzung müssen die Ventilatoren (sofern vorhanden) und Lüftungsschlitze monatlich gereinigt werden.
- Das Geräteinnere mindestens einmal pro Jahr mit einem Staubsauger oder einer Luftpistole reinigen.
- Die Reinigung der inneren und äußeren optischen Linsen und/oder Spiegel muss in regelmäßigen Abständen zur Beibehaltung einer optimalen Lichtausbeute vorgenommen werden. Die Reinigungsintervalle hängen stark von der Umgebung ab: Feuchte, verrauchte und besonders verschmutzte Umgebung führen zu größerer Verschmutzung auf den Linsen.
 - Mit einem weichen Tuch und gewöhnlichem Glasreiniger säubern.
 - Alle Teile stets gut abtrocknen.

Achtung: Wir empfehlen dringend, die Reinigung des Geräteinneren nur von qualifiziertem Personal durchführen zu lassen!

TECHNISCHE DATEN

Netzspannung:	AC100V-240V, 50/60Hz
Leistungsaufnahme:	39 Watt
Sicherung:	250V T6,3A (20mm Glas)
Klangregler:	Integriertes Mikrofon
DMX-Anschlüsse:	3-poliger XLR-Stecker/Buchse
Benutzte DMX-Kanäle:	1, 7, 22 Kanäle
Lichtquelle:	6x 3Watt dreifarbig LEDs
Abmessungen:	424 x 251 x 65 cm (mit Bügel: 138mm)
Gewicht:	3,6kg



Technische Änderungen können auch ohne Vorankündigung vorgenommen werden
 Sie können sich die neueste Version dieses Benutzerhandbuchs von unserer Website
 herunterladen: www.beglec.com

MANUAL DE INSTRUCCIONES

Gracias por comprar este producto JB Systems®. Para aprovechar al máximo todas las posibilidades y para su propia seguridad, lea cuidadosamente este manual de instrucciones antes de comenzar a utilizar la unidad.

CARACTERÍSTICAS

Esta unidad tiene supresión de radio interferencia. Este producto cumple con todas las exigencias de las pautas actuales, tanto europeas como nacionales. Dicha conformidad ha sido establecida y los dictámenes y documentos han sido consignados por el fabricante.

- Este dispositivo fue diseñado para producir efectos de iluminación decorativa y se utiliza en sistemas de espectáculos de iluminación.
- Es compacto, ¡pero con un potente efecto de LED multi-haz!
- Cada una de las lentes contiene un potente LED RGB de 3 Vatios
- Gracias a la perfecta mezcla de colores, los seis haces ¡pueden adoptar el color que usted desee!
- Cada haz de 9º puede controlarse de forma individual para crear una combinación ilimitada de efectos personalizados.
- Excelentes programas incorporados para brindar espectáculos de luces maravillosos continuamente cambiantes:
 - Modo autónomo: activado por sonido con micrófonos internos
 - Maestro/esclavo: maravillosos espectáculos sincronizados
 - DMX maestro/esclavo: gracias a su nueva y revolucionaria función, varias unidades LED Rainbow, funcionando en modo maestro/esclavo, ¡pueden ser controladas por DMX! Incluso estando conectadas en una cadena DMX. (se necesita un separador opcional mini DMX)
- DMX: 22 canales para un control completo, o control sencillo utilizando sólo 1 o 7 canales.
- 2 controladores remotos opcionales disponibles:
 - CA-8: cableado remoto para un control maestro/esclavo mejorado
 - Conjunto RF-8: RF remoto inalámbrico para un control maestro/esclavo mejorado
- Utiliza seis potentes LEDs RGB de 3Vatios:
 - Rayos extremadamente brillantes comparados con los efectos con lámparas halógenas
 - Efectos más dinámicos comparados con los efectos basados en lámparas halógenas
 - Sin sustituciones de lámparas y consumo de potencia muy bajo
- Entradas y salidas de alimentación IEC para una fácil conexión utilizando cables IEC opcionales
- Perfecto para diferentes aplicaciones: discos, clubs, Dj móviles, escenarios,...

ANTES DEL USO

- Antes de comenzar a utilizar esta unidad, compruebe si no ha sufrido daños durante el transporte. Si hubiera alguno, no utilice el dispositivo y consulte primero con su concesionario.
- **Importante:** Este dispositivo salió de nuestra fábrica en perfectas condiciones y bien embalado. Es absolutamente necesario que se obedezcan al pie de la letra las instrucciones y advertencias de seguridad que aparecen en este manual de usuario. Cualquier daño causado por una mala manipulación no estará protegido por la garantía. El concesionario no aceptará ninguna responsabilidad por defectos o problemas resultantes causados por no obedecer lo indicado en este manual de usuario.
- Mantenga este folleto en un lugar seguro para futuras consultas. Si vende este equipo, asegúrese de incluir este manual de usuario.

Compruebe el contenido:

Verifique que la caja contenga los elementos siguientes:

- Instrucciones de operación
- LED Rainbow
- Cable de alimentación

INSTRUCCIONES DE SEGURIDAD:



CAUTION
RISK OF ELECTRIC SHOCK
DO NOT OPEN



PRECAUCIÓN: Para reducir el riesgo de electrocución, no quite la cubierta superior. Ninguna pieza usable adentro para el utilizador. Dirijase unicamente a personal cualificado.



El símbolo de un rayo en el interior de un triángulo alerta sobre la presencia o el uso de elementos no aislados donde un voltaje peligroso constituye un riesgo grande para causar una eventual electrocución.



El punto de exclamación en el interior de un triángulo alerta al usuario sobre la presencia de importantes instrucciones de operación y de mantenimiento tenidas en cuenta en el manual de uso.



Este símbolo significa : uso para el interior solamente.



Este símbolo significa : Lea las instrucciones.



Este símbolo significa: Aplicaciones de la clase II



Este símbolo se determina: la distancia mínima de objetos iluminado. La distancia mínima entre el proyector y el objeto iluminado debe ser más de 1 metro.



El dispositivo no es adecuado para el montaje directo sobre superficies normalmente inflamables. (Apto sólo para el montaje en superficies no inflamables)

RISK GROUP 2
CAUTION:
Do not stare at operating lamp

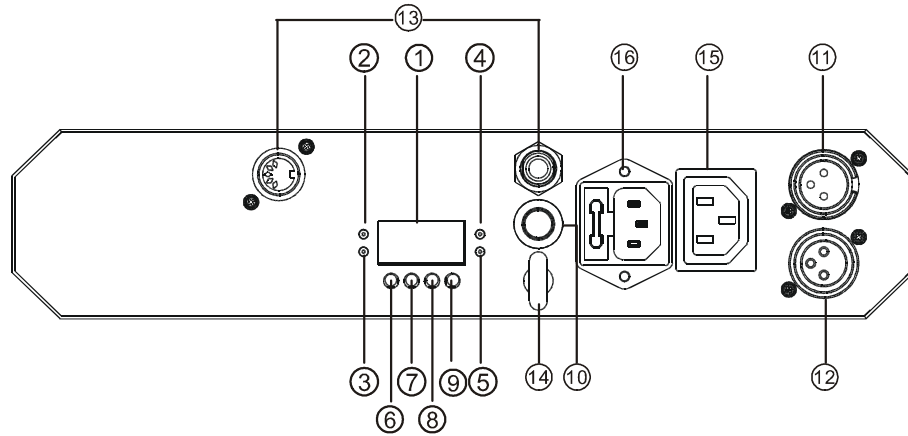
PRECAUCIÓN RADIACIÓN POR DIODOS EMISORES DE LUZ (LED)
NO MIRAR FIJAMENTE EL RAYO LUMINOS.

- Para proteger el medio ambiente, intente reciclar el material del embalaje en la mayor medida posible.
- Para evitar el riesgo de incendio o de descarga eléctrica, no exponga este electrodoméstico a la lluvia ni a la humedad.
- Para evitar que se forme condensación en el interior del equipo, permita que la unidad se adapte a la temperatura ambiente cuando se lleve a una habitación cálida después del transporte. La condensación impide a veces que la unidad trabaje a plena capacidad e incluso puede causar daños.
- Esta unidad es solamente para uso en interiores.
- No coloque objetos metálicos ni derrame líquidos dentro de la unidad. Puede dar como resultado una descarga eléctrica o un mal funcionamiento. Si un objeto extraño se introduce dentro de la unidad, desconecte de inmediato la alimentación eléctrica.
- Ubique el accesorio en un punto bien ventilado, lejos de materiales y/o líquidos inflamables. El accesorio debe fijarse por lo menos a 50 cm de las paredes circundantes.
- No cubra ninguna abertura de ventilación ya que esto puede provocar sobrecalentamiento.
- Evite emplearlo en ambientes polvorientos; limpie la unidad con regularidad.
- Mantenga la unidad lejos de los niños.
- Este equipo no debe ser utilizado por personas inexpertas.
- La temperatura ambiente máxima segura es de 40°C. No utilice esta unidad a temperaturas ambiente mayores que ésta.
- Asegúrese de que el área que se encuentra bajo el lugar de instalación esté libre de personas no autorizadas durante su elevación, descenso y reparación.
- Deje transcurrir alrededor de 10 minutos para que el dispositivo se enfríe antes de comenzar a darle servicio.
- Siempre desenchufe la unidad cuando no se vaya a utilizar durante un período de tiempo prolongado o cuando se le vaya a dar servicio.
- La instalación eléctrica debe realizarla solamente personal cualificado, de acuerdo con las regulaciones para la seguridad eléctrica y mecánica de su país.
- Compruebe que la tensión disponible sea la indicada en la unidad.
- El cable de alimentación debe estar siempre en perfectas condiciones. Apague de inmediato la unidad cuando el cable de alimentación esté aplastado o dañado. Si el cable de alimentación está dañado, debe ser sustituido por el fabricante, por su representante de servicio o por una persona de cualificación similar para evitar un accidente.
- ¡Nunca permita que el cable de alimentación haga contacto con otros cables!
- Este accesorio debe conectarse a tierra para cumplir con las regulaciones de seguridad.
- No conecte la unidad a un dispositivo de atenuación.
- Cuando instale la unidad utilice siempre un cable de seguridad apropiado y certificado.

- Para evitar descargas eléctricas, no abra la cubierta. Dentro no hay componentes que requieran de servicio por parte del usuario.
- **Nunca** repare un fusible ni haga una derivación en el portafusibles. ¡Sustituya **siempre** un fusible dañado por otro que sea del mismo tipo y que tenga las mismas especificaciones eléctricas!
- En el caso de que haya serios problemas de funcionamiento, detenga el uso del accesorio y contacte inmediatamente con su concesionario.
- La carcasa y las lentes deben sustituirse si están visiblemente dañadas.
- Utilice el embalaje original cuando haya que transportar el dispositivo.
- Debido a razones de seguridad, está prohibido realizar modificaciones no autorizadas a la unidad.

Importante: ¡Nunca mire directamente a la fuente de luz! No utilice el efecto en presencia de personas que padezcan de epilepsia.

DESCRIPCIÓN:



1. PANTALLA: muestra los diferentes menús y las funciones seleccionadas
2. LED DMX: está iluminado cuando la unidad recibe una señal DMX
3. LED maestro: está iluminado cuando la unidad se encuentra como maestro
4. LED esclavo: está iluminado cuando la unidad está en modo esclavo
5. LED Sonido: parpadea al ritmo de la música cuando la unidad está en modo audio
6. Botón MENU: se usa para seleccionar los diferentes elementos del menú
7. Botón DOWN: para ir hacia atrás en el menú y disminuir los valores mostrados en pantalla
8. Botón UP: para ir hacia arriba en el menú y aumentar los valores mostrados en pantalla
9. Botón ENTER: se usa para confirmar su elección
10. Micrófono interno
11. Entrada DMX
12. Salida DMX
13. Entradas del mando a distancia:
 - Entrada Jack: se utiliza para conectar el mando CA-8
 - Entrada Din: se utiliza para conectar el mando inalámbrico RF-8
14. CÁNCAMO DE SEGURIDAD: utilizado para fijar un cable de seguridad cuando la unidad está izada (consulte el párrafo "elevación sobre cabeza").
15. Salida de alimentación con conector IEC: puede utilizar un cable de alimentación especial IEC para conectar esta salida con la entrada de alimentación del siguiente LED RAINBOW, para enlazarlos fácilmente.
16. Entrada de alimentación con receptáculo IEC y portafusibles integrado; conecte aquí el cable de alimentación que se suministra

MENÚ PRINCIPAL:

- Para seleccionar cualquiera de las funciones, presione el botón MENU hasta que la opción requerida se muestre en el visualizador o utilice los botones DOWN y UP para navegar por el menú.
 - Seleccione la función con el botón ENTER (el visualizador parpadeará).
 - Utilice los botones DOWN o UP para cambiar el modo.
 - Una vez seleccionado el modo requerido, presione el botón ENTER para confirmar.
- Para regresar al menú principal sin efectuar ningún cambio, pulse brevemente el botón MENU. El menú principal se muestra en el diagrama.

DMX Address (Dirección DMX)

Se utiliza para establecer la dirección de inicio en una configuración DMX.

- Presione el botón MENU hasta que se muestre en el visualizador "Addr".
- Pulse el botón ENTER, la pantalla comienza a parpadear.
- Utilice los botones DOWN y UP para cambiar la dirección DMX.
- Una vez aparezca en la pantalla la dirección correcta, pulse el botón ENTER para guardarla.

Para regresar al menú principal sin efectuar ningún cambio, pulse brevemente el botón MENU. Pulse el botón MENU durante unos 2 segundos para salir del menú y regresar al modo de funcionamiento normal.

Modo Canal

Se utiliza para establecer el modo de configuración de canal deseado.

- Presione el botón MENU hasta que se muestre en el visualizador "ChMd".
- Pulse el botón ENTER, la pantalla comienza a parpadear.
- Utilice los botones ARRIBA y ABAJO para escoger 1MSL, 1Cn, 7Cn o 22Cn.

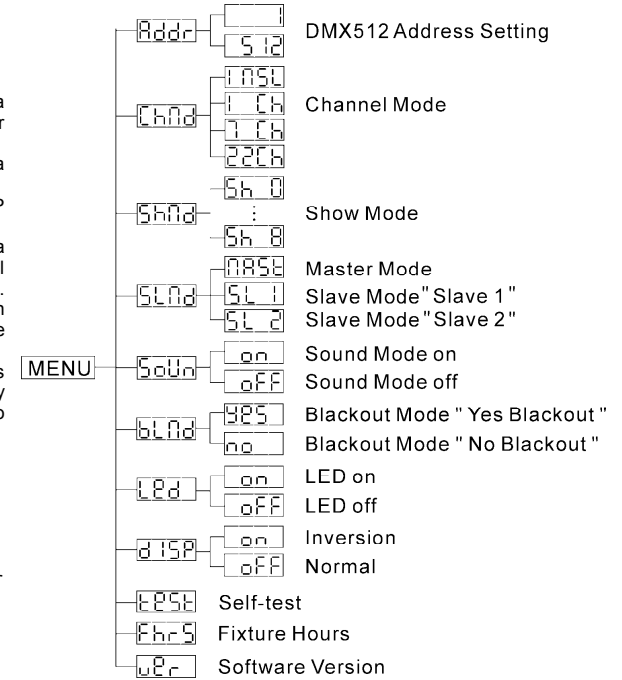
Una vez que se muestre en el visualizador el modo de configuración de canal deseado, presione el botón ENTER para guardarla.

Para regresar al menú principal sin efectuar ningún cambio, pulse brevemente el botón MENU. Pulse el botón MENU durante unos 2 segundos para salir del menú y regresar al modo de funcionamiento normal.

Show Mode (Modo espectáculo)

Utilizado para seleccionar el modo Espectáculo cuando se utiliza en los modos autónomo o maestro/esclavo.

- Presione el botón MENU hasta que se muestre en el visualizador "ShMd".
 - Pulse el botón ENTER, la pantalla comienza a parpadear.
 - Use los botones UP y DOWN para seleccionar uno de los espectáculos disponibles: espectáculo 1 (Sh 1) a espectáculo 8 (Sh 8)
 - Una vez que se muestre en el visualizador el modo correcto, presione el botón ENTER para guardarlo.
- Para regresar al menú principal sin efectuar ningún cambio, pulse brevemente el botón MENU. Pulse el botón MENU durante unos 2 segundos para salir del menú y regresar al modo de funcionamiento normal.



Slave Mode (Modo Esclavo)

Se utiliza para establecer el proyector como unidad maestra o esclava.

- Presione el botón MENU hasta que se muestre en el visualizador "SLMd".
- Pulse el botón ENTER, la pantalla comienza a parpadear.
- Utilice los botones ARRIBA y ABAJO para seleccionar "MASt" (modo maestro), SL 1 (modo esclavo normal) o SL 2 (modo de espectáculo de 2 luces). Una vez seleccionado el modo, presione el botón ENTER para guardarlo.

Para regresar al menú principal sin efectuar ningún cambio, pulse brevemente el botón MENU.

Pulse el botón MENU durante unos 2 segundos para salir del menú y regresar al modo de funcionamiento normal.

Estado del Sonido

Cuando el modo de sonido está ACTIVADO, la unidad funciona al ritmo del compás si se utiliza en modo autónomo o maestro/esclavo.

- Presione el botón MENU hasta que se muestre en el visualizador "SOU".
- Pulse el botón ENTER, la pantalla comienza a parpadear.
- Utilice los botones ARRIBA y ABAJO para seleccionar "On" (modo de sonido activado) o "Off" (modo de sonido desactivado). Una vez seleccionado el modo, presione el botón ENTER para guardarlo.

Para regresar al menú principal sin efectuar ningún cambio, pulse brevemente el botón MENU.

Pulse el botón MENU durante unos 2 segundos para salir del menú y regresar al modo de funcionamiento normal.

Blackout Mode (Modo apagado)

Modo apagado: cuando no se detecta señal DMX, la unidad entra en apagado y espera a la señal DMX.

Sin modo apagado: cuando no se detecta señal DMX, la unidad pasa automáticamente al modo autónomo.

- Presione el botón MENU hasta que se muestre en el visualizador "bLMd".
- Pulse el botón ENTER, la pantalla comienza a parpadear.
- Utilice los botones ABAJO y ARRIBA para seleccionar "Yes" (apagado), o "No" (no apagado).
- Una vez seleccionado el modo, presione el botón ENTER para guardarlo.

Para regresar al menú principal sin efectuar ningún cambio, pulse brevemente el botón MENU.

Pulse el botón MENU durante unos 2 segundos para salir del menú y regresar al modo de funcionamiento normal.

Pantalla Led

Display on: la pantalla está siempre encendida.

Display off: la pantalla está apagada cuando no se utiliza.

- Presione el botón MENU hasta que se muestre en el visualizador "Led".
- Pulse el botón ENTER, la pantalla comienza a parpadear.
- Utilice los botones ABAJO y ARRIBA para seleccionar "on" (pantalla siempre encendida) o "oFF" (pantalla apagada si no se usa).
- Una vez seleccionado el modo, presione el botón ENTER para guardarlo.

Para regresar al menú principal sin efectuar ningún cambio, pulse brevemente el botón MENU.

Pulse el botón MENU durante unos 2 segundos para salir del menú y regresar al modo de funcionamiento normal.

Display Inversion (Inversión de la pantalla)

Inversión de Pantalla ACTIVADA: la pantalla es legible cuando la unidad está montada al revés en un soporte de pie.

Inversión de Pantalla DESACTIVADA: la unidad es legible cuando la unidad está colgada en un truss o una barra-T.

- Pulse el botón MENU, hasta que en la pantalla aparezca "dISP". (visualizador normal)
- Utilice el botón ENTER para cambiar al modo "dSIP" (inversión de pantalla), la opción se almacenará automáticamente tras 8 segundos. O pulse el botón ENTER de nuevo para volver al modo "dISP" (pantalla normal). Para regresar a las funciones, presione el botón MENU.

Pulse el botón MENU durante unos 2 segundos para salir del menú y regresar al modo de funcionamiento normal.

Autocomprobación

Utilizada para activar el programa interno "self-test" (autocomprobación) el cual verifica todas las posibilidades de la unidad.

- Presione el botón MENU hasta que se muestre en el visualizador "teSt".

- Oprima el botón ENTER para iniciar el programa interno de autocomprobación.
 - Para regresar a las funciones, presione el botón MENU.
- Pulse el botón MENU durante unos 2 segundos para salir del menú y regresar al modo de funcionamiento normal.

Fixture Hours (Horas de la unidad)

Se utiliza para mostrar la cantidad de horas de trabajo de la unidad.

- Presione el botón MENU hasta que se muestre en el visualizador "FhrS".
- Pulse el botón ENTER para mostrar la cantidad de horas de trabajo en la pantalla.
- Para regresar a las funciones, presione el botón MENU.

Pulse el botón MENU durante unos 2 segundos para salir del menú y regresar al modo de funcionamiento normal.

Software version (Versión de Software)

Se utiliza para mostrar la versión del software instalado en la unidad

- Pulse el botón MENU, hasta que en la pantalla aparezca "uer".
- Oprima el botón ENTER para mostrar la versión de software en el visualizador.
- Para regresar a las funciones, presione el botón MENU.

Pulse el botón MENU durante unos 2 segundos para salir del menú y regresar al modo de funcionamiento normal.

ELEVACIÓN SOBRE CABEZA

- **Importante:** La instalación debe efectuarla solamente personal de servicio cualificado. Una instalación no adecuada puede dar como resultado lesiones serias y/o daños a la propiedad. ¡La elevación sobre cabeza requiere una experiencia extensa! Deben respetarse los límites de carga de trabajo, deben utilizarse materiales de instalación certificados, el dispositivo instalado debe inspeccionarse con regularidad por motivos de seguridad.
- Asegúrese de que el área que se encuentra bajo el lugar de instalación esté libre de personas no autorizadas durante su elevación, descenso y reparación.
- Ubique el accesorio en un punto bien ventilado, lejos de materiales y/o líquidos inflamables. El accesorio debe fijarse por lo menos a 50 cm de las paredes circundantes.
- El dispositivo debe instalarse fuera del alcance de las personas y fuera de las áreas donde haya paso de personas o donde estas permanezcan sentadas.
- Antes de efectuar la elevación, asegúrese de que el área de instalación pueda sostener una carga puntual mínima de 10 veces el peso del dispositivo.
- Cuando instale la unidad, utilice siempre un cable de elevación certificado que pueda sostener 12 veces el peso del dispositivo. Esta segunda fijación de seguridad debe instalarse de forma que ninguna parte de la instalación pueda caer más de 20 cm si la fijación principal falla.
- El dispositivo debe fijarse bien, ¡un montaje de libre oscilación es peligroso y no debe considerarse!
- No cubra ninguna abertura de ventilación ya que esto puede provocar sobrecalentamiento.
- El operador tiene que estar seguro de que las instalaciones relacionadas con la seguridad y con la técnica de la máquina sean aprobadas por un experto antes de utilizarlas por primera vez. Las instalaciones deben inspeccionarse anualmente por una persona con experiencia para asegurarse de que la seguridad es óptima.

INSTALACIÓN ELÉCTRICA + DIRECCIONAMIENTO

 **Importante:** La instalación eléctrica debe realizarla solamente personal cualificado, de acuerdo con las regulaciones para la seguridad eléctrica y mecánica de su país.

Instalación eléctrica para 1 unidad autónoma:

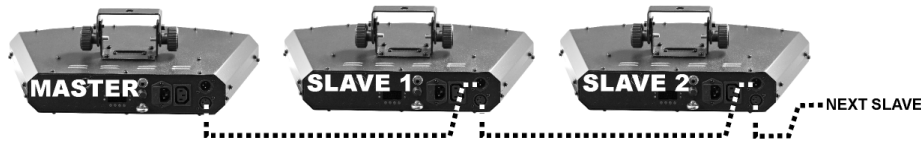
- Simplemente inserte el cable de alimentación. La unidad comienza a trabajar inmediatamente en el modo autónomo.

Observación 1: Puede conectar un mando a distancia CA-8 o RF-8 a la unidad si desea tener más control. Consulte "cómo operar la unidad" para aprender cómo hacerlo.

Observación 2: Si no hay salida, asegúrese de configurar la unidad en el modo maestro y establezca el modo de apagado (blackout) en "NO" y el Modo de sonido (Sound Mode) en "On" (consulte el capítulo anterior)

Instalación eléctrica para dos o más unidades en el modo maestro/esclavo:

En este modo las unidades mostrarán un espectáculo sincronizado, trabajando al ritmo de la música.



- Conecte desde 2 hasta un máximo de 16 unidades entre sí utilizando cables para micrófono balanceados de buena calidad. La primera unidad de la cadena debe estar establecida como maestra, las otras unidades deben estar establecidas como esclavas.
- Asegúrese de que todas las unidades estén conectadas a la alimentación.
- ¡Hecho!

Observación: Puede conectar un mando a distancia CA-8 o RF.8 a la unidad maestra si desea tener más control sobre la operación maestra/esclava

Observación 2: si no hay salida, por favor asegúrese de establecer la primera unidad en modo maestro y establecer el modo de apagado en "NO" y el Estado de Sonido en "On" (vea el capítulo anterior)

Instalación eléctrica para dos o más unidades en el modo maestro/esclavo DMX:

En este modo las unidades mostrarán un espectáculo sincronizado, trabajando al ritmo de la música, pero todavía puede controlar algunas funciones en la unidad maestra mediante el canal DMX 1.



- Para asegurar un correcto funcionamiento, necesita un "Mini DMX-SPLITTER" opcional para aislar la línea maestro/esclavo de la línea DMX principal, vea el dibujo.
- Conecte desde 2 hasta un máximo de 16 unidades entre sí utilizando cables para micrófono balanceados de buena calidad. La primera unidad de la cadena debe estar establecida como maestra, las otras unidades deben estar establecidas como esclavas.
- Configure la maestra en el modo de canal 1MSL (consulte el capítulo anterior).
- Para el controlador DMX la maestra y sus esclavas pueden considerarse ahora como 1 efecto virtual que necesita una dirección de inicio, de manera que pueda controlarse como cualquier otra unidad DMX en la cadena DMX: consulte "Dirección DMX" en el capítulo "Menú Principal" para ver cómo puede configurar la dirección de inicio DMX.
- Asegúrese de que todas las unidades estén conectadas a la alimentación.
- Configure el controlador DMX de acuerdo con el diagrama DMX que aparece a continuación.
- ¡Hecho!

Observación: para un buen funcionamiento al ritmo de la música, asegúrese de que la opción "Estado de Sonido" en la maestra esté establecida en "On" (vea el capítulo anterior)

Instalación eléctrica para dos o más unidades en modo DMX:

- El protocolo DMX es una señal de alta velocidad ampliamente utilizada para controlar equipamiento de iluminación inteligente. Tiene que conectar su controlador DMX y todas las unidades conectadas en configuración "daisy chain" con un cable balanceado de buena calidad.
- Se utilizan tanto conectores XLR de 3 pines como XLR de 5 pines; no obstante, el XLR de 3 pines es más popular porque estos cables son compatibles con cables de audio balanceados. Distribución de pines para el XLR-3: Pin 1 = TIERRA ~ Pin 2 = Señal negativa (-) ~ Pin 3 = Señal positiva (+) Distribución de pines para el XLR-5: Pin 1 = TIERRA ~ Pin 2 = Señal negativa (-) ~ Pin 3 = Señal positiva (+) ~ Pin 4 y 5 no se utilizan.
- Para evitar un comportamiento extraño de los efectos de luces debido a interferencias, debe utilizar un terminador de 90Ω a 120Ω al final de la cadena. Nunca utilice cables repartidores Y, jesto simplemente no funcionará!
- Asegúrese de que todas las unidades estén conectadas a la alimentación.



- Cada dispositivo de efectos de luces de la cadena tiene que tener su propia dirección de inicio, de manera que sepa cuáles comandos procedentes del controlador tiene que decodificar.



CÓMO ESTABLECER LA DIRECCIÓN DE INICIO CORRECTA:

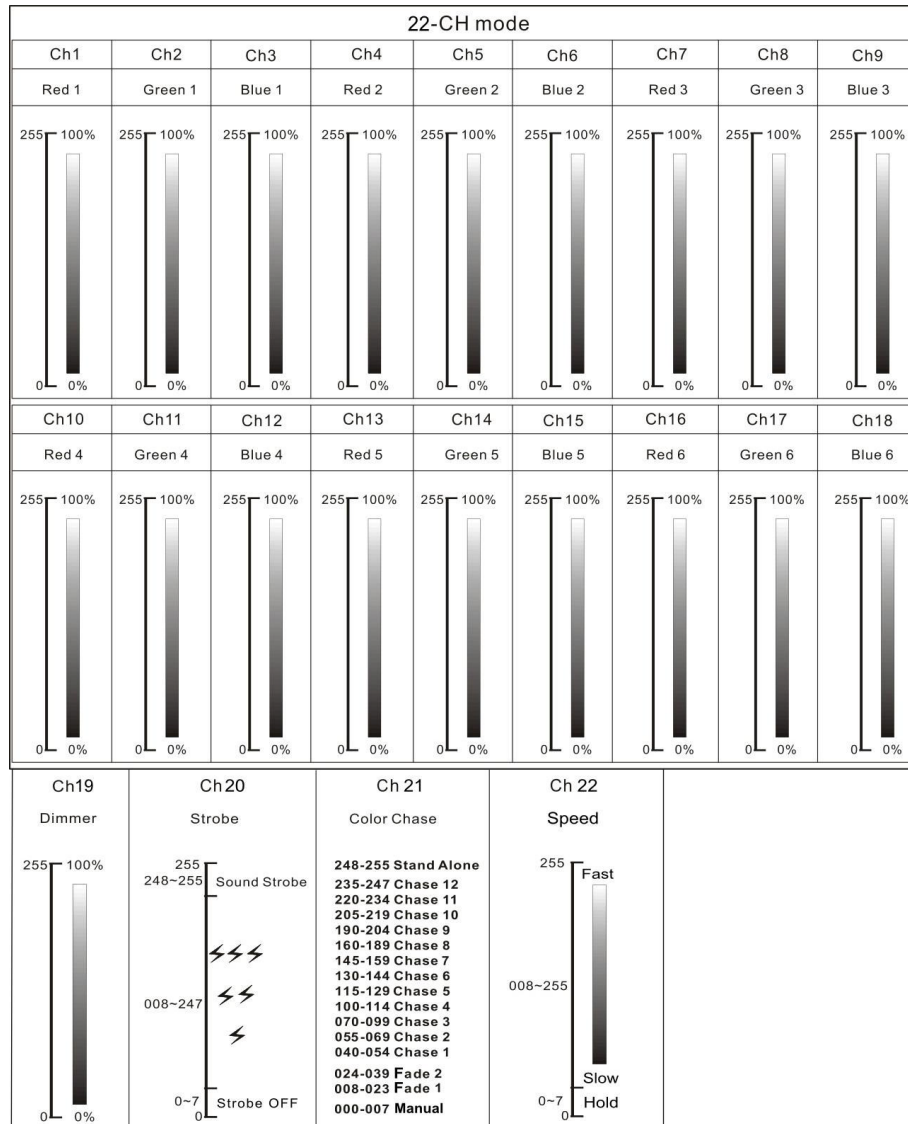
Consulte el capítulo anterior (Configuración de la dirección DMX-512) para aprender cómo establecer la dirección de inicio en esta unidad. La dirección de inicio de cada unidad es muy importante.

Desafortunadamente, es imposible decirle en este manual de usuario cuáles direcciones de inicio tiene que establecer, porque esto depende completamente del controlador que utilice. De manera que consulte el manual de usuario de su controlador DMX para averiguar cuáles direcciones de inicio debe establecer.

CONFIGURACIÓN DMX

1MSL Mode	1-CH mode
Ch1	Ch1
Shows	Shows
248-255 Random Show	248-255 Random Show
218-247 Show 8	218-247 Show 8
188-217 Show 7	188-217 Show 7
158-187 Show 6	158-187 Show 6
128-157 Show 5	128-157 Show 5
098-127 Show 4	098-127 Show 4
068-097 Show 3	068-097 Show 3
038-067 Show 2	038-067 Show 2
008-037 Show 1	008-037 Show 1
000-007 Blackout	000-007 Blackout

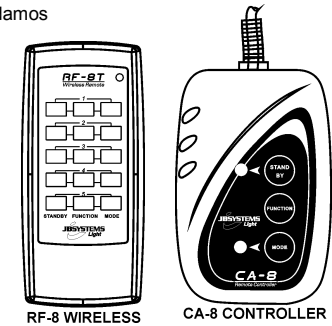
7-CH mode						
Ch1	Ch2	Ch3	Ch4	Ch5	Ch6	Ch7
Red	Green	Blue	Dimmer	Strobe	Color Chase	Speed
255 100% 0 0%	255 100% 0 0%	255 100% 0 0%	255 100% 0 0%	255 248-255 Sound Strobe 008-247 0-7 Strobe OFF	248-255 Stand Alone 235-247 Chase 12 220-234 Chase 11 205-219 Chase 10 190-204 Chase 9 160-189 Chase 8 145-159 Chase 7 130-144 Chase 6 115-129 Chase 5 100-114 Chase 4 070-099 Chase 3 055-069 Chase 2 040-054 Chase 1 024-039 Fade 2 008-023 Fade 1 000-007 Manual	255 Fast 008-255 Slow 0-7 Hold



OPERACIÓN DE LA UNIDAD CON EL CA8 O EL RF8SET

Cuando se utilice en los modos autónomo o maestro/esclavo, recomendamos enfáticamente utilizar el CA-8 "Wired easy controller" o el RF-8SET "Wireless easy controller".

- **CA-8 con cableado remoto:** Conecte el controlador al conector de entrada de la primera unidad (maestra).
- **RF-8SET inalámbrico remoto:** la conexión remota inalámbrica tiene dos partes:
 - **RF-8T:** transmisor RF pequeño puede controlar hasta 5 efectos.
 - **RF-8R:** pequeño receptor RF que debe conectarse a la entrada DIN de 5 pines del LED RAINBOW. Consulte el manual de instalación del receptor para más información.



Ahora puede controlar todas las unidades conectadas:

Apagado	Apaga la unidad		
Función	1. Efecto estroboscópico sincrónico en blanco 2. Efecto estroboscópico sincrónico en blanco 3. Efecto estroboscópico en colores por sonido	Seleccione color 33. Rojo 34. Verde 35. Azul 36. Rojo + Verde 37. Rojo + Azul 38. Verde + Azul 39. Rojo + Verde + Azul 40. Cambio de color por sonido	Seleccione espectáculo 1-8
Mode	Sonido/Estrobo (LED apagado)	Color Manual (LED encendido)	LED parpadeando

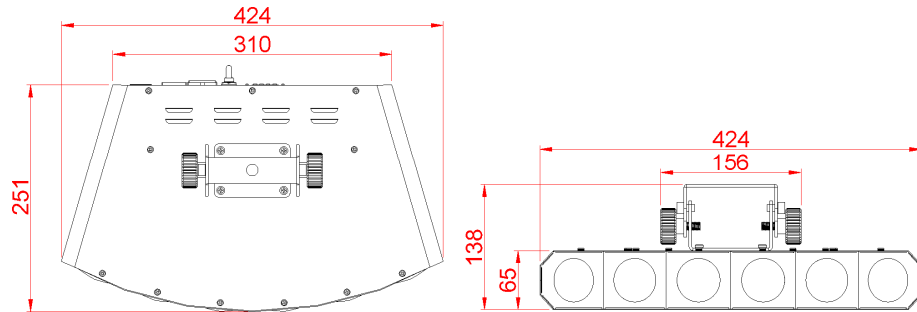
MANTENIMIENTO

- Asegúrese de que el área que se encuentra bajo el lugar de instalación esté libre de personas no autorizadas durante el mantenimiento.
- Apague la unidad, desenchufe el cable de alimentación y espere hasta que se enfríe.
- **Durante la inspección deben revisarse los puntos siguientes:**
- Todos los tornillos utilizados para la instalación del dispositivo y cualquiera de sus componentes deben estar bien apretados y no pueden estar corroídos.
- Los alojamientos, fijaciones y puntos de instalación (techo, tensores, suspensiones) deben estar totalmente libres de cualquier deformación.
- Cuando una lente óptica está visiblemente dañada debido a grietas o arañazos profundos, debe sustituirse.
- Los cables de alimentación deben estar en condiciones impecables y deben sustituirse inmediatamente incluso si se detecta un problema pequeño.
- Para proteger el dispositivo contra el sobrecalentamiento, los ventiladores de enfriamiento (si hay alguno) y las aberturas de ventilación deben limpiarse mensualmente.
- El interior del dispositivo debe limpiarse anualmente utilizando una aspiradora o un chorro de aire.
- La limpieza de las lentes ópticas y/o espejos internos y externos debe efectuarse periódicamente para optimizar la salida de la luz. La frecuencia de la limpieza depende del ambiente en el cual opere el accesorio: los ambientes húmedos, con humo, o particularmente sucios, pueden causar una mayor acumulación de suciedad en los elementos ópticos de la unidad.
 - Límpielo con un paño suave utilizando productos normales para la limpieza del vidrio.
 - Siempre seque cuidadosamente las piezas.

Atención: ¡Recomendamos enfáticamente que la limpieza se lleve a cabo por personal cualificado!

ESPECIFICACIONES

Alimentación:	CA100V~240V 50/60Hz
Consumo de potencia:	39 Vatios
Fusible:	250V T6.3A (cristal de 20mm)
Control por Sonido:	Micrófono interno
Conexiones DMX:	XLR 3 pines macho / hembra
Canales DMX utilizados:	1, 7, 22 canales
Lámpara:	6 LEDs de 3Vatios Tri-color
Tamaño:	424 x 251 x 65 cm (con soporte: 138mm)
Peso:	3,6kg



La información podría modificarse sin aviso previo

Puede descargar la versión más reciente de este manual de usuario en nuestro sitio Web:

www.beglec.com