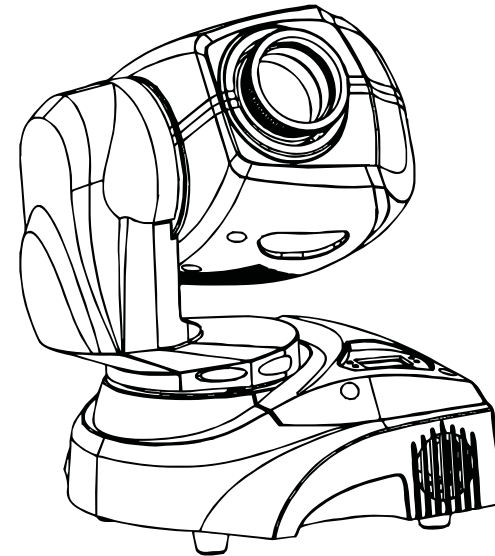


LYNX LED



Operation Manual EN
Mode d'emploi FR
Gebruiksaanwijzing NL
Bedienungsanleitung DE
Manual de instrucciones ES
Manual do utilizador PT

WWW.BEGLEC.COM

Copyright © 2009 by BEGLEC comm.v.a.

*t Hofveld 2 ~ B1702 Groot-Bijgaarden ~ Belgium

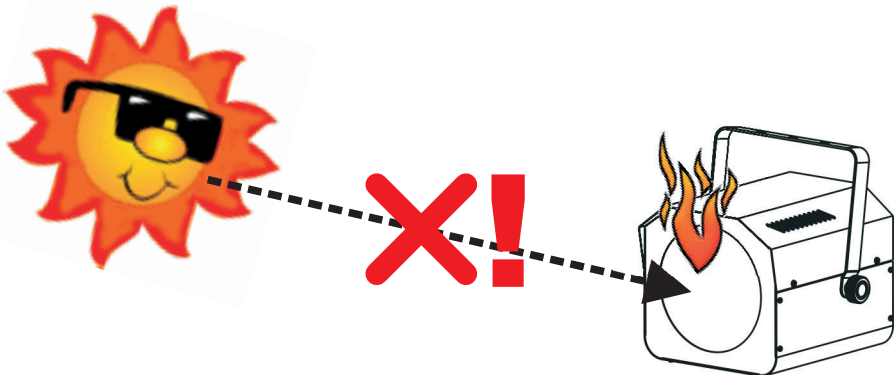
Reproduction or publication of the content in any manner, without express permission of the publisher, is prohibited.



Version: 1.0

JBSYSTEMS
Light

DANGER ~ GEVAAR ~ GEFAHR ~ PELIGRO ~ PERIGO



WARNING: DANGER! never expose the lens to direct sunlight, even for a short period. This may damage the light effect or even cause fire!

ATTENTION: DANGER! n'exposez jamais la lentille directement aux rayons de soleil, même pendant un bref instant. Ceci peut endommager l'intérieur de l'appareil ou même causer un incendie !

OPGELET : GEVAAR ! stel de lens nooit bloot aan direct zonlicht, zelfs gedurende een korte periode. Dit kan het toestel beschadigen en zelfs brand veroorzaken!

WARNUNG: GEFAHR! Setzen sie die Linse niemals direkter Sonneneinstrahlung aus, auch nicht für eine kurze Zeit ! Die direkte Sonneneinstrahlung kann das Gerät zerstören oder zum brennen bringen!

ADVERTENCIA: ¡PELIGRO! ¡nunca exponga la lente a la luz solar directa, aún durante un período corto! ¡Esto puede dañar el efecto de luz o incluso causar el fuego!

AVISO: PERIGO! Nunca exponha as lentes directamente à luz solar, mesmo que por pouco tempo! Isto pode danificar o efeito luminoso ou mesmo provocar um incêndio!

EN - DISPOSAL OF THE DEVICE

Dispose of the unit and used batteries in an environment friendly manner according to your country regulations.

FR - DÉCLASSER L'APPAREIL

Débarrassez-vous de l'appareil et des piles usagées de manière écologique, conformément aux dispositions légales de votre pays.

NL - VERWIJDEREN VAN HET APPARAAT

Verwijder het toestel en de gebruikte batterijen op een milieuvriendelijke manier conform de in uw land geldende voorschriften.

DU - ENTSORGUNG DES GERÄTS

Entsorgen Sie das Gerät und die Batterien auf umweltfreundliche Art und Weise gemäß den Vorschriften Ihres Landes.

ES - DESHACERSE DEL APARATO

Reciclar el aparato y pilas usadas de forma ecologica conforme a las disposiciones legales de su país.

PT - COMO DESFAZER-SE DA UNIDADE

Tente reciclar a unidade e as pilhas usadas respeitando o ambiente e em conformidade com as normas vigentes no seu país.



OPERATION MANUAL

Thank you for buying this JB Systems® product. To take full advantage of all possibilities and for your own safety, please read these operating instructions very carefully before you start using this unit.

FEATURES

This unit is radio-interference suppressed. This product meets the requirements of the current European and national guidelines. Conformity has been established and the relevant statements and documents have been deposited by the manufacturer.

- Hi Tech, eye-catching, moving head for Pro DJ, renting companies and discotheques
- Based on 20WATT LED technology:
 - Very low power consumption (money saving!)
 - Extremely brilliant colors compared to units with halogen lamps
 - No lamp replacements!
 - Virtually no heat production
 - Lightweight (no lamp transformers needed)
- Big light output and sharp gobos, thanks to excellent optics
- 0-100% dimming and ultra fast strobe function
- Excellent built-in programs for wonderful, ever changing, light shows:
 - DMX-control: 6 channels (pan, tilt, colors, gobos, dimmer, strobe)
 - Standalone: sound activated with internal mic
 - Master/slave: wonderful synchronized shows
- 8 gobos + open, equipped with gobo shaking feature
- Independent color wheel (8 colors + white)
- Automatic X/Y re-positioning
- Optional CA-8 remote controller available

BEFORE USE

- Before you start using this unit, please check if there's no transportation damage. Should there be any, do not use the device and consult your dealer first.
- **Important:** This device left our factory in perfect condition and well packaged. It is absolutely necessary for the user to strictly follow the safety instructions and warnings in this user manual. Any damage caused by mishandling is not subject to warranty. The dealer will not accept responsibility for any resulting defects or problems caused by disregarding this user manual.
- Keep this booklet in a safe place for future consultation. If you sell the fixture, be sure to add this user manual.

Check the contents:

Check that the carton contains the following items:

- LYNX unit
- Clamp bracket + 2 bolts
- Operating instructions

SAFETY INSTRUCTIONS:



CAUTION: To reduce the risk of electric shock, do not remove the top cover. No user-serviceable parts inside. Refer servicing to qualified service personnel only.



The lightning flash with arrowhead symbol within the equilateral triangle is intended to alert the user or the presence of un-insulated "dangerous voltage" within the product's enclosure that may be of sufficient magnitude to constitute a risk of electric shock.



The exclamation point within the equilateral triangle is intended to alert the user to the presence of important operation and maintenance (servicing) instructions in the literature accompanying this appliance.



This symbol means: indoor use only



This symbol means: Read instructions



This symbol determines: the minimum distance from lighted objects. The minimum distance between light-output and the illuminated surface must be more than 1 meters

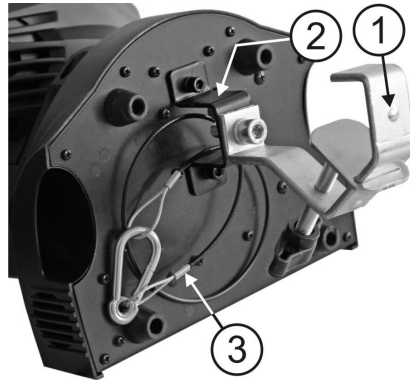
- To protect the environment, please try to recycle the packing material as much as possible.
- A new light effect sometimes causes some unwanted smoke and/or smell. This is normal and disappears after some minutes.
- To prevent fire or shock hazard, do not expose this appliance to rain or moisture.
- To avoid condensation to be formed inside, allow the unit to adapt to the surrounding temperatures when bringing it into a warm room after transport. Condense sometimes prevents the unit from working at full performance or may even cause damages.
- This unit is for indoor use only.
- Don't place metal objects or spill liquid inside the unit. Electric shock or malfunction may result. If a foreign object enters the unit, immediately disconnect the mains power.
- Locate the fixture in a well ventilated spot, away from any flammable materials and/or liquids. The fixture must be fixed at least 50cm from surrounding walls.
- Don't cover any ventilation openings as this may result in overheating.
- Prevent use in dusty environments and clean the unit regularly.
- Keep the unit away from children.
- Inexperienced persons should not operate this device.
- Maximum safe ambient temperature is 40°C. Don't use this unit at higher ambient temperatures.
- Make sure the area below the installation place is free from unwanted persons during rigging, de-rigging and servicing.
- Always unplug the unit when it is not used for a longer time or when you start servicing.
- The electrical installation should be carried out by qualified personal only, according to the regulations for electrical and mechanical safety in your country.
- Check that the available voltage is not higher than the one stated on the rear panel of the unit.
- The power cord should always be in perfect condition. Switch the unit immediately off when the power cord is squashed or damaged. It must be replaced by the manufacturer, its service agent or similarly qualified persons in order to avoid a hazard.
- Never let the power-cord come into contact with other cables!
- This fixture must be earthed to in order comply with safety regulations.
- Don't connect the unit to any dimmer pack.
- Always use an appropriate and certified safety cable when installing the unit.
- In order to prevent electric shock, do not open the cover. there are no user serviceable parts inside.
- **Never** repair a fuse or bypass the fuse holder. **Always** replace a damaged fuse with a fuse of the same type and electrical specifications!
- In the event of serious operating problems, stop using the fixture and contact your dealer immediately.
- The housing and the lenses must be replaced if they are visibly damaged.
- Please use the original packing when the device is to be transported.
- Due to safety reasons it is prohibited to make unauthorized modifications to the unit.

Important: Never look directly into the light source! Don't use the effect in the presence of persons suffering from epilepsy.

OVERHEAD RIGGING

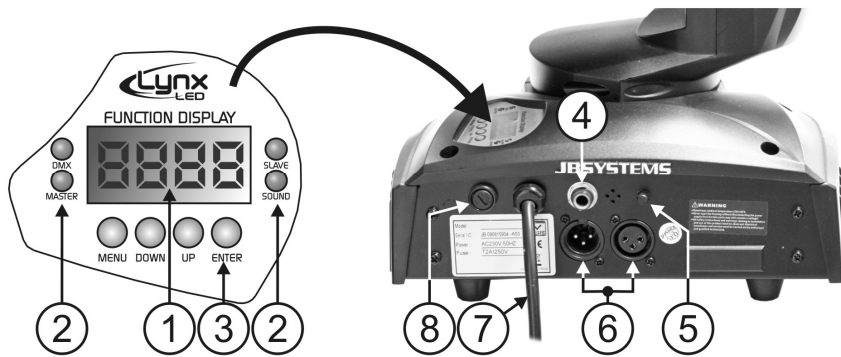
- **Important:** The installation must be carried out by qualified service personal only. Improper installation can result in serious injuries and/or damage to property. Overhead rigging requires extensive experience! Working load limits should be respected, certified installation materials should be used, the installed device should be inspected regularly for safety.
- Make sure the area below the installation place is free from unwanted persons during rigging, de-rigging and servicing.
- Locate the fixture in a well ventilated spot, far away from any flammable materials and/or liquids. The fixture must be fixed at least 50cm from surrounding walls.
- The device should be installed out of reach of people and outside areas where persons may walk by or be seated.

- Before rigging make sure that the installation area can hold a minimum point load of 10times the device's weight.
- Always use a certified safety cable (number 3 on the picture) that can hold 12 times the weight of the device when installing the unit. This secondary safety attachment should be installed in a way that no part of the installation can drop more than 20cm if the main attachment fails.
- The device should be well fixed; a free-swinging mounting is dangerous and may not be considered!
- Don't cover any ventilation openings as this may result in overheating.
- The operator has to make sure that the safety-relating and machine-technical installations are approved by an expert before using them for the first time. The installations should be inspected every year by a skilled person to be sure that safety is still optimal.



1. Optional Clamp
2. Special clamp bracket (included)
3. Optional safety cable

HOW TO SET UP THE UNIT
CONTROL PANEL:



1. DISPLAY shows the various menus and the selected functions.
2. LEDES

DMX	On	DMX input present
MASTER	On	Master mode
SLAVE	On	Slave mode
SOUND	Flashing	Sound activation

3. BUTTONS

MENU	To select the programming functions
DOWN	To go backward in the selected functions
UP	To go forward in the selected functions
ENTER	To confirm the selected functions

4. REMOTE CONTROL INPUT: Used to connect a simple CA-8 hand controller while the unit is used in standalone or master/slave mode.

5. SENSITIVITY: Used to adjust the sensitivity of the micro when the unit is used in standalone or master/slave mode.
6. DMX INPUT/OUTPUT: used for DMX512 linking. Use good quality 3pin XLR M/F balanced cable to link the units together.
7. MAINS CABLE: double-check the mains voltage (should be 230V 50Hz) before inserting the cable!
8. MAINS FUSE: Always replace this fuse with a fuse that has the same characteristics! (250V/2A slow)

MAIN MENU:

- To select any of the functions, press the **MENU** button up to when the required one is shown on the display.
- Select the function with the **ENTER** button (the display blinks).
- Use **DOWN** and **UP** button to change the mode.
- Once the required mode is selected, press the **ENTER** button to confirm. After 8 seconds the display will automatically return to the main functions without any change. To go back to the functions without any change press the **MENU** button for about 2 seconds. The main functions are shown in the chart.

RdDr **DMX512 Address Setting**
Used to set the starting address in a DMX setup.

- Press the MENU button until **RdDr** is shown on the display.
- Press the ENTER button, the display starts blinking.
- Use DOWN and UP buttons to change the DMX512 address.
- Once the correct address shows on the display, press the ENTER button to save it. (or automatically return to the main functions without any change after 8 seconds)

To go back to the functions without any change press the MENU button again for about 2 seconds for about 2 seconds.

ShNd **Show Mode**

Used to choose the Show mode when used in standalone or master/slave mode.

- Press the MENU button until **ShNd** is showing on the display.
- Press the ENTER button, the display starts blinking.
- Use DOWN and UP buttons to select one of the available shows:

- **Sh 1** Show 1: Fixture is placed **on the floor**. Tilt movement angle 210°.
 - **Sh 2** Show 2: Fixture is fixed **under ceiling**. Tilt movement angle 90°.
 - **Sh 3** Show 3: Fixture is placed **on a podium, in front of the audience**. The spot is always projecting to the audience's direction; i.e. in front of the stage. Pan movement angle (left to right to left): 160°. Tilt movement angle: 90° (60° above horizon; 30° below horizon.)
 - **Sh 4** Show 4: Fixture is fixed **under ceiling**. The spot is mainly projecting in front of the stage. Pan movement angle (left to right to left):160°. Tilt movement angle: 90° (vertically, front 75°; back 15°)
- Once the right mode shows on the display, press the ENTER button to save it. (or automatically return to the main functions without any change after 8 seconds)
To go back to the functions without any change press the MENU button again for about 2 seconds.

RdDr	[]	DMX512 Address Setting
ShNd	Sh 1	Show mode 1
	Sh 2	Show mode 2
	Sh 3	Show mode 3
	Sh 4	Show mode 4
SLNd	SL 1	Slave Mode " Normal "
	SL 2	Slave mode " 2 Light Show "
SOUN	on	Sound Mode on
	off	Sound Mode off
BLNd	YES	Blackout Mode " Yes Blackout "
	no	Blackout Mode " No Blackout "
MENU	IPAn	Pan Normal
	i	Pan Inversion
	TELT	Tilt Normal
	i	Tilt Inversion
LED	on	LED on
	off	LED off
DISP	DISP	Normal
	BSIP	Inversion
FRAdJ		Focus Adjust
TEST		Self-Test
TEMP		Temperature Test
HR5		Fixture Hours
VER		Software Version
RESET		Reset

SLND Slave Mode

Used to make the slave unit work in opposite to the master or to work in complete sync.

- Press the MENU button until **SLND** is shown on the display.
 - Press the ENTER button, the display starts blinking.
 - Use DOWN and UP button to select **SL** (normal) or **SL2** (2 light show) mode.
 - Once the mode is selected, press the ENTER button to save it.
(or automatically return to the main functions without any change after 8 seconds)
- To go back to the functions without any change press the MENU button again for about 2 seconds.

SOUD Sound Mode

The unit works to rhythm of the beat when used in standalone or master/slave mode

- Press the MENU button until **SOUD** is shown on the display.
 - Press the ENTER button, the display starts blinking.
 - Use DOWN and UP button to select **ON** or **OFF** mode.
 - Once the mode has been selected, press the ENTER button save it.
(or automatically return to the main functions without any change after 8 seconds)
- To go back to the functions without any change press the MENU button again for about 2 seconds.

BLND Blackout Mode

Blackout mode: when no DMX-signal is detected, the unit goes in blackout and waits for the DMX-signal.

No blackout mode: when no DMX-signal is detected, the unit automatically switches to standalone mode.

- Press the MENU button until **BLND** is shown on the display.
 - Press the ENTER button, the display starts blinking.
 - Use DOWN and UP button to select **ON** (blackout on) or **NO** (blackout off) mode.
 - Once the mode has been selected, press the ENTER button to save it.
(or automatically return to the main functions without any change after 8 seconds)
- To go back to the functions without any change press the MENU button again for about 2 seconds.

IPAN Pan Inversion

Normal: Panning movement is not inverted.

Pan inversion: Panning movement is inverted

- Press the MENU button until **IPAN** is shown on the display.
 - Press the ENTER button, the display starts blinking.
 - Use DOWN and UP button to select **NO** (normal) or **IPAN** (pan inversion) mode.
 - Once the mode has been selected, press the ENTER button to save it.
(or automatically return to the main functions without any change after 8 seconds)
- To go back to the functions without any change press the MENU button again for about 2 seconds.

ITILT Tilt Inversion

Normal: Tilt movement is not inverted.

Tilt inversion: tilt movement is inverted

- Press the MENU button until **ITILT** is shown on the display.
 - Press the ENTER button, the display starts blinking.
 - Use DOWN and UP buttons to select **NO** (normal) or **ITILT** (tilt inversion) mode.
 - Once the mode has been selected, press the ENTER button to save it.
(or automatically return to the main functions without any change after 8 seconds)
- To go back to the functions without any change press the MENU button again for about 2 seconds.

LED Led Display

Display on: display is always on.

Display off: display is off when not used.

- Press the MENU button until the display shows **LED**.
 - Press the ENTER button, the display starts blinking.
 - Use DOWN and UP buttons to select **ON** (display always on) or **OFF** (display off when not used).
 - Once the mode has been selected, press the ENTER button to save it.
(or automatically return to the main functions without any change after 8 seconds)
- To go back to the functions without any change press the MENU button again for about 2 seconds.

DISP Display Inversion

Display normal: display is readable when the unit is on the floor.

Display inversion: display is readable when the unit is mounted upside down.

- Press the MENU button until **DISP** is shown on the display. (normal display)
- Press the ENTER button to toggle between **DISP** (normal display) and **DISP** (display inversion).
- After about 8 seconds your choice is automatically saved.

FADJ Focus Adjust

Used to help you adjusting the focus of the light beam and gobos.

- Press the MENU button until **FADJ** is blinking on the display.
 - Press the ENTER button so the unit goes to the "tilt 90°" position.
 - Press the ENTER button so the unit goes to the "pan 0°" position.
 - Press the ENTER button so the unit goes to the "pan 90°" position.
 - Press the ENTER button so the unit goes to the "pan 180°" position.
 - Press the ENTER button so the unit goes to the "pan 270°" position.
- In the Previous 5 steps you are able to adjust the focus with the UP/DOWN buttons on the unit (the display shows the current focus status).
- Attention:** please note that you can only set an "average focus" for all 5 positions, so it is not possible to set the focus perfectly sharp for all directions.
- To go back to the functions press the MENU button.

TEST Self-Test

Used to activate the internal "self-test" program which shows all possibilities of the unit.

- Press the MENU button until **TEST** is blinking on the display.
- Press the ENTER button to start the internal self-test program.
- To go back to the functions press the MENU button.

TEMP Temperature inside the unit

Used to show the temperature inside the unit

- Press the MENU button until **TEMP** is blinking on the display.
- Press the ENTER button and the temperature of unit will show on the display.
- To go back to the functions press the MENU button again.

Fhrs Fixture Hours

Used to show the number of working hours of the unit.

- Press the MENU button until **Fhrs** is blinking on the display.
- Press the ENTER button to show the number of working hours in the display.
- To go back to the functions press the MENU button.

VER Software version

Used to show the software version that is installed in the unit

- Press the MENU button until **VER** is blinking on the display.
- Press the ENTER button to show the software version on the display.
- To go back to the functions press the MENU button.



Reset
Used to force a reset of the unit.

- Press the MENU button until **RESET** is blinking on the display.
- Press the ENTER to reset all channels to their standard position.
- To go back to the functions press the MENU button.

Please also check the chapter about the DMX-channel configuration of the unit to find out how you can force a reset by DMX.

ELECTRICAL INSTALLATION + ADDRESSING

! Important: The electrical installation should be carried out by qualified personal only, according to the regulations for electrical and mechanical safety in your country.

Electrical installation for 1 standalone unit:

- Just insert the mains cable. The unit starts working immediately in stand-alone mode.
- Remark1:** You can connect a CA-8 remote controller to the unit if you want to have more control. Refer to "how to operate the unit" to learn how to do this.
- Remark2:** if there's no output, please make sure to set the unit in master mode and set the blackout mode to "NO" (see previous chapter)

Electrical installation for two or more units in master/slave:



- Connect 2 to maximum 16 units together using good quality balanced microphone cables. The first unit in the chain will automatically act as master, the other units will act automatically as slaves.
- Make sure that all units are connected to the mains.
- Done!

Remark: You can connect a CA-8 remote controller to the master unit if you want to have more control over the master/slave operation

Electrical installation in DMX-mode:

- The DMX-protocol is a widely used high speed signal to control intelligent light equipment. You need to "daisy chain" your DMX controller and all the connected units with a good quality balanced cable.
- Both XLR-3pin and XLR-5pin connectors are used, however XLR-3pin is more popular because these cables are compatible with balanced audio cables.
Pin layout XLR-3pin: Pin1 = GND ~ Pin2 = Negative signal (-) ~ Pin3 = Positive signal (+)
Pin layout XLR-5pin: Pin1 = GND ~ Pin2 = Negative signal (-) ~ Pin3 = Positive signal (+) ~ Pins4+5 not used.
- To prevent strange behavior of the light effects, due to interferences, you must use a 90Ω to 120Ω terminator at the end of the chain. Never use Y-splitter cables, this simply won't work!
- Make sure that all units are connected to the mains.
- Each light effect in the chain needs to have its proper starting address so it knows which commands from the controller it has to decode. In the next section you will learn how to set the DMX addresses.



• HOW TO SET THE RIGHT STARTING ADDRESS:

Refer to the previous chapter (DMX-512 address setting) to learn how to set the starting address on this unit. The starting address of each unit is very important. Unfortunately it is impossible to tell you in this user manual which starting addresses you have to set because this completely depends on the controller you will use... So please refer to the user manual of your DMX-controller to find out which starting addresses you must set.

DMX-CONFIGURATION OF LYNX:

DMX512 Configuration					
Ch1	Ch2	Ch3	Ch4	Ch5	Ch6
Pan	Tilt	Strobe	Gobo	Color	Dimmer
		248-255 240-247 232-239	Open Random Strobe Open	255 Rotation Fast	255 100%
540°	270°	190-231	Fastopen slow close	128 Rotation Slow	
		182-189	Open	115-121	128 Rotation Slow
270°	135°	140-181	Slow open fast close	108-114	120-127 Blue
		132-139	Open	101-107	105-119 Yellow
0°	0°	16-131	⚡	093-100	090-104 Green
		8-15	⚡	086-092	075-089 Light Blue
		0-7	Blackout	079-085	060-074 Orange
				072-078	045-059 Pink
				064-071	030-044 Light Yellow
				058-063	015-029 Light Green
				051-057	000-014 White
				044-050	
				037-043	
				029-036	
				022-028	
				015-021	
				008-014	
				000-007	



HOW TO OPERATE THE UNIT

Every time you turn the unit on, it will show "MS20" on the display and move all the motors to their 'home' position and you may hear some noises for about 20 seconds. After that the unit will be ready to receive DMX signal or run the built-in programs.

YOU CAN OPERATE THE UNIT IN THREE WAYS:

- Master/slave with built-in pre-programmed shows
 - With CA-8 easy controller
 - With universal DMX controller
- **MASTER/SLAVE WITH BUILT-IN PRE-PROGRAMMED SHOWS:**
Choose this function if you want an instant show. By linking the units in master/slave connection, the first unit controls the other units which results in an automatic, sound activated, synchronized light show. Its DMX input will have nothing plugged into it, and its master-LED will be constantly on and sound-LED will flash to the music.
Important! This function only works when the blackout mode in the menu of the master is set to OFF, otherwise nothing will happen! Read more about this option in the "Main Menu" paragraph.
- **MASTER has 4 built-in shows:** You can select **Sh 1** (show 1), **Sh 2** (show 2), **Sh 3** (show 3) or **Sh 4** (show 4) directly in the menu of the master.

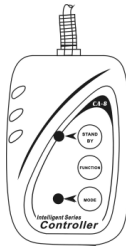
- **SLAVES have 2 working options:** The other units are set to slave mode (slave-LED is constantly on). In order to create a great light show you can introduce contrast movements (pan/tilt of slave is inverted) → In the menu of the slave units you can go to option **SL-1** and select:
 - **SL-1** → **Normal slave:** slave works in sync with the master.
 - **SL-2** → **2 light show:** slave works in opposite with the master.

BY EASY CONTROLLER

When used in Master/slave mode we strongly advice you to use the CA-8 "Easy controller". Just connect this small controller to the 1/4" jack of the master unit, and you will be able to control the following

FUNCTIONS:

Stand By	Blackout the unit		
Function	1. Sync. Strobe 2. Two-light strobe 3. Sound Strobe	Select Show 1-4	1. Press shortly: change colors 2. Press for 1sec: change gobos
Mode	(LED OFF)	(LED blinks)	LED ON



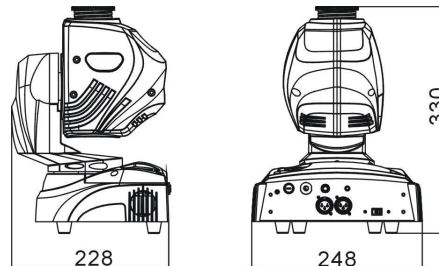
MAINTENANCE

- Make sure the area below the installation place is free from unwanted persons during servicing.
- Switch off the unit, unplug the mains cable and wait until the unit has been cooled down.
- **During inspection the following points should be checked:**
- All screws used for installing the device and any of its parts should be tightly fastened and may not be corroded.
- Housings, fixations and installations spots (ceiling, truss, suspensions) should be totally free from any deformation.
- When an optical lens is visibly damaged due to cracks or deep scratches, it must be replaced.
- The mains cables must be in impeccable condition and should be replaced immediately when even a small problem is detected.
- In order to protect the device from overheat the cooling fans (if any) and ventilation openings should be cleaned monthly.
- The interior of the device should be cleaned annually using a vacuum cleaner or air-jet.
- The cleaning of internal and external optical lenses and/or mirrors must be carried out periodically to optimize light output. Cleaning frequency depends on the environment in which the fixture operates: damp, smoky or particularly dirty surroundings can cause greater accumulation of dirt on the unit's optics.
 - Clean with a soft cloth using normal glass cleaning products.
 - Always dry the parts carefully.
 - Clean the external optics at least once every 30 days.
 - Clean the internal optics at least every 90 days.

Attention: We strongly recommend internal cleaning to be carried out by qualified personnel!

SPECIFICATIONS

Mains Input:	AC 230V, 50Hz
Max Power consumption:	55 Watt
Sound Control:	Internal microphone
Pan/Tilt:	540° / 270°
Beam angle:	14°
DMX connections:	3pin XLR male / female
Leds:	1 White LED 20Watt
Size:	See drawing
Weight:	4,8 kg



Every information is subject to change without prior notice

You can download the latest version of this user manual on our website: www.beglec.com

MODE D'EMPLOI

Merci d'avoir choisi ce produit JB Systems®. Pour votre sécurité et pour une utilisation optimale de toutes les possibilités de l'appareil, lisez attentivement cette notice avant utilisation.

EN VOUS INSCRIVANT POUR LA LETTRE D'INFORMATION VOUS SEREZ TOUJOURS TENU AU COURANT DES DERNIERES NOUVELLES CONCERNANT NOS PRODUITS: NOUVEAUTES, ACTIONS SPECIALES, JOURNEES PORTES OUVERTES, ETC.
→ SURFEZ SUR: WWW.BEGLEC.COM ←

CARACTERISTIQUES

Cet appareil ne produit pas d'interférences radio. Il répond aux exigences nationales et européennes. La conformité a été établie et les déclarations et documents correspondants ont été déposés par le fabricant.

- Moving head hi tech exerçant un attrait visuel exceptionnel, destinée aux DJ pros, aux compagnies de location et aux discothèques
- Basée sur la technologie LED 20 watts :
 - consommation de courant extrêmement basse (que d'argent épargné !)
 - Couleurs extrêmement brillantes comparées aux appareils fonctionnant avec des lampes halogènes
 - Pas de lampes à remplacer !
 - Pratiquement aucune production de chaleur
 - Poids plume (aucun transfo pour lampes n'est nécessaire)
- Puissance lumineuse imposante et gobos très précis grâce à un excellent matériel optique
- Fonction gradateur allant de 0 à 100 % et fonction stroboscope ultrarapide.
- Excellents programmes intégrés donnant lieu à de splendides light shows qui changent sans arrêt :
 - Contrôle via DMX : 6 canaux (pan, tilt, colors, gobos, dimmer, strobe)
 - Mode autonome : activation sonore via micro interne
 - Mode maître/esclave : magnifiques shows synchronisés
- 8 gobos + ouvert, équipé de la fonction 'gobo shaking'
- Roue à couleurs indépendante (8 couleurs + le blanc)
- Repositionnement automatique des repère X/Y
- En option, une télécommande CA-8 est disponible

AVANT UTILISATION

- Avant d'utiliser cet appareil, assurez-vous de l'absence de dommage lié au transport. En cas d'endommagement, n'utilisez pas l'appareil et contactez le vendeur.
- **Important:** Cet appareil a quitté notre usine en parfaite condition et bien emballé. Il est primordial que l'utilisateur suive les instructions de sécurité et avertissements inclus dans ce manuel. La garantie ne s'applique pas en cas de dommage lié à une utilisation incorrecte. Le vendeur ne prend pas la responsabilité des défauts ou de tout problème résultant du fait de n'avoir pas tenu compte des mises en garde de ce manuel.
- Conservez ce manuel dans un endroit sûr pour toute consultation future. Si vous vendez l'appareil, assurez-vous d'y joindre ce manuel également.

Vérifiez le contenu:

Vérifiez si l'emballage contient les articles suivants:

- Mode d'emploi
- Appareil LYNX
- Attelle + 2 boulons

INSTRUCTIONS DE SECURITE:



CAUTION
RISK OF ELECTRIC SHOCK
DO NOT OPEN



ATTENTION: afin de réduire le risque d'électrocution, n'enlevez jamais le couvercle de l'appareil. Il n'y a aucune pièce à l'intérieur de l'appareil que vous puissiez remplacer vous-même. Confiez l'entretien uniquement à des techniciens qualifiés.



La flèche dans un triangle met l'utilisateur en garde contre la présence de haute tension sans isolation dans l'appareil, ce qui peut causer un risque d'électrocution.



Un point d'exclamation dans un triangle prévient de la présence d'instructions relatives au fonctionnement et à la maintenance se trouvant dans le manuel fourni avec l'appareil.



Ce symbole signifie: uniquement pour usage à l'intérieur.



Ce symbole signifie : Lire le mode d'emploi.



Ce symbole représente la distance de recul minimum à respecter, c'est-à-dire, la distance minimum entre le projecteur et la surface à éclairer. Cette distance doit être de plus de 1 mètre.

- Afin de protéger l'environnement, merci de recycler les emballages autant que possible.
- Un effet lumière neuf peut provoquer de la fumée et/ou une odeur non souhaitée, qui devrait disparaître après quelques minutes.
- Afin d'éviter tout risque d'incendie ou de décharge électrique, ne pas exposer cet appareil à la pluie ou à l'humidité.
- Pour éviter la formation de condensation à l'intérieur de l'appareil, patientez quelques minutes pour laisser l'appareil s'adapter à la température ambiante lorsqu'il arrive dans une pièce chauffée après le transport. La condensation empêche l'appareil de fonctionner manière optimale, et elle peut même causer des dommages.
- Cet appareil est destiné à une utilisation à l'intérieur uniquement.
- Ne pas insérer d'objet métallique ou renverser de liquide dans l'appareil. Aucun objet contenant un liquide, tels que des vases, ne peut être placé sur cet appareil. Cela risquerait de provoquer une décharge électrique ou un dysfonctionnement. Si un corps étranger est introduit dans l'appareil, déconnectez immédiatement de la source d'alimentation.
- Aucune source de flamme nue, telle que des bougies allumées, ne peut être placée sur l'appareil.
- Placez l'appareil dans un endroit bien ventilé, éloigné de tout matériau ou liquide inflammable. L'appareil doit être fixé à 50cm minimum des murs.
- Ne pas couvrir les orifices de ventilation, un risque de surchauffe en résulterait.
- Ne pas utiliser l'appareil dans un environnement poussiéreux et le nettoyer régulièrement.
- Ne pas laisser l'appareil à portée des enfants.
- Les personnes non expérimentées ne doivent pas utiliser cet appareil.
- La température ambiante maximale d'utilisation de l'appareil est de 40°C. Ne pas l'utiliser au-delà de cette température.
- Assurez-vous que la zone au-dessous du lieu d'installation ne comporte pas de personnes non concernées pendant le montage, le démontage et les opérations de maintenance.
- Débranchez toujours l'appareil si vous ne l'utilisez pas de manière prolongée ou avant d'entreprendre des réparations.
- Les installations électriques ne peuvent être faites que par du personnel qualifié et conformément aux règlements de sécurité électrique et mécanique en vigueur dans votre pays.
- Assurez-vous que la tension d'alimentation de la source d'alimentation de la zone dans laquelle vous vous trouvez ne dépasse pas celle indiquée à l'arrière de l'appareil.
- Le cordon d'alimentation doit toujours être en parfait état. Mettez immédiatement l'unité hors tension si le cordon devait être écrasé ou endommagé. Pour éviter tout risque de choc électrique, le cordon doit être remplacé par le constructeur, son agent ou un technicien qualifié.
- Ne laissez jamais le cordon d'alimentation entrer en contact avec d'autres câbles !
- L'appareil doit être à la masse selon les règles de sécurité.
- Ne pas connecter l'unité à un variateur de lumière.
- Utilisez toujours des câbles appropriés et certifiés lorsque vous installez l'appareil.

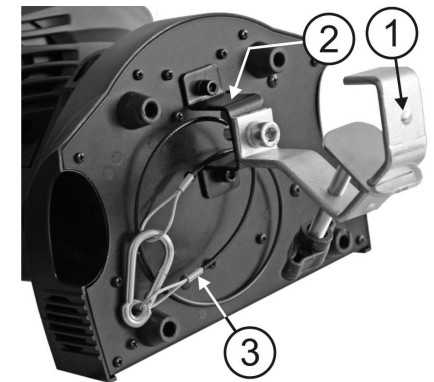
- Pour éviter toute décharge électrique, ne pas ouvrir l'appareil. Il n'y a pas de pièces pouvant être changées par l'utilisateur à l'intérieur de l'appareil.
- **Ne jamais** réparer ou court-circuiter un fusible. Remplacez **systématiquement** un fusible endommagé par un fusible de même type et ayant les mêmes spécifications électriques !
- En cas de problèmes de fonctionnement sérieux, arrêtez toute utilisation de l'appareil et contactez votre revendeur immédiatement.
- La carrosserie et les lentilles doivent être remplacées si elles sont visiblement endommagées.
- Utilisez l'emballage d'origine si l'appareil doit être transporté.
- Pour des raisons de sécurité, il est interdit d'apporter une quelconque modification à l'unité non spécifiquement autorisée par les parties responsables.

Important: Ne jamais fixer directement la source de lumière ! Ne pas utiliser d'effets en présence de personnes souffrant d'épilepsie.

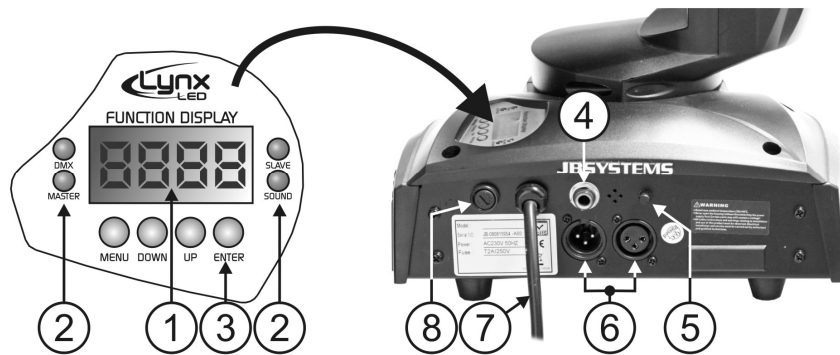
INSTALLATION EN HAUTEUR

- **Important:** L'installation doit être faite par du personnel qualifié uniquement. Une installation incorrecte peut causer des blessures sévères et/ou endommager l'appareil. L'installation en hauteur exige de l'expérience ! Les limites de charge doivent être respectées, du matériel d'installation certifié doit être utilisé, et l'appareil installé doit subir des inspections de sécurité régulièrement.
- Assurez-vous que la zone au-dessous du lieu d'installation ne comporte pas de personnes indésirables lors de l'installation, la désinstallation ou la maintenance.
- Placez l'appareil dans un endroit bien ventilé, éloigné de tout matériau ou liquide inflammable. L'appareil doit être fixé à **50cm minimum** des murs à l'entour.
- L'appareil doit être hors de portée du public et en dehors des zones de passage de personnes ou des zones où le public est installé.
- Avant l'installation assurez-vous que la zone d'installation supporte un point localisé minimum de 10 fois le poids de l'appareil.
- Utilisez systématiquement un câble de sécurité (n° 3 sur l'image) qui peut supporter 12 fois le poids de l'appareil lors de l'installation. Ce câble de sécurité secondaire doit être installé de manière à ce qu'aucune partie de l'appareil ne puisse descendre de plus de 20 cm si le support principal tombe.
- L'appareil doit être bien fixé, un montage à balancement est dangereux et ne devrait pas être considéré !
- Ne pas couvrir les ouvertures de ventilation pour éviter tout risque de surchauffe.
- L'utilisateur doit s'assurer que les installations techniques et de sécurité sont bien approuvées par un expert avant la première utilisation. Les installations doivent être inspectées chaque année par du personnel qualifié pour assurer une sécurité optimale.

1. Collier de serrage rapide, en option
2. Collier de serrage spécial (fourni)
3. Câble de sécurité, en option



COMMENT REGLER L'APPAREIL

• PANNEAU DE CONTRÔLE:

1. **ECRAN** affiche les différents menus et les fonctions sélectionnées.
2. **LED**

DMX	Allumé	Présence d'un signal DMX
MASTER	Allumé	Mode maître
SLAVE	Allumé	Mode esclave
SOUND	Clignote	Activation musicale

3. **TOUCHES**

MENU	Pour sélectionner les fonctions de programmation
DOWN	Pour reculer dans les fonctions sélectionnées
UP	Pour avancer dans les fonctions sélectionnées
ENTER	Pour confirmer la fonction sélectionnée

4. **ENTREE POUR LE CONTROLEUR A DISTANCE** : connectez le contrôleur à distance optionnel (CA-8) via l'entrée jack 1/4" afin de contrôler l'appareil au niveau du stand by, de la fonction et du mode.
5. **SENSITIVITY**: vous pouvez régler la sensibilité du micro si vous utilisez cet appareil de façon autonome ou en mode maître/esclave.
6. **DMX IN/OUT**: est utilisé pour les configurations en DMX512. Utilisez des câbles symétriques XLR M/F à 3 broches de bonne qualité pour relier les appareils entre eux.
7. **CABLE D'ALIMENTATION SECTEUR** : vérifiez deux fois plutôt qu'une la tension du secteur (qui devrait être 230V 50Hz) avant de raccorder le câble au secteur !
8. **FUSIBLE GENERAL D'ALIMENTATION** : dans tous les cas, remplacez ce fusible par un fusible qui possède les mêmes caractéristiques ! (250V/2A lent)

MENU PRINCIPAL:

- Pour sélectionner une des fonctions pre-set, appuyez sur la touche **MENU** jusqu'à ce que la fonction que vous désirez apparaisse à l'écran.
- Sélectionnez la fonction à l'aide de la touche **ENTER**. L'écran clignotera.
- Utilisez les touches **DOWN** et **UP** pour changer de mode.
- Dès que vous avez sélectionné le mode requis, appuyez sur la touche **ENTER** pour confirmer. Après 8 secondes l'écran retournera automatiquement aux fonctions principales sans avoir modifié quoi que ce soit. Pour retourner aux fonctions sans effectuer de changements, appuyez pendant environ 2 secondes sur la touche **MENU**. Les fonctions principales sont affichées ci-dessous.

Addr Reglage de l'adresse DMX512

Est utilisé pour régler l'adresse de départ dans une configuration DMX.

- Appuyez sur la touche MENU jusqu'à ce que **Addr** soit affiché à l'écran.
- Appuyez sur la touche ENTER, l'écran commence à clignoter.
- Utilisez les touches DOWN et UP pour changer l'adresse DMX512.
- Quand l'adresse désirée est affiché à l'écran, appuyez sur la touche ENTER pour confirmer votre choix.
(Où il retournera automatiquement aux fonctions principales sans aucune modification après 8 secondes)
Pour retourner aux fonctions sans effectuer de changements, appuyez à nouveau pendant environ 2 secondes sur la touche MENU.

Shnd Show Mode

Est utilisé pour choisir le Show quand l'appareil fonctionne de façon autonome ou en maître/esclave.

- Appuyez sur la touche MENU jusqu'à ce que **Shnd** est affiché à l'écran.
- Appuyez sur la touche ENTER, l'écran commence à clignoter.
- Utilisez les touches DOWN et UP pour sélectionner.
 - **Sh 1** Show 1 mode- l'appareil est placé **par terre**. Angle du mouvement tilt : 210°.
 - **Sh 2** Show 2 mode- l'appareil est fixé **au plafond**. Angle du mouvement tilt : 90°.
 - **Sh 3** Mode show 3 : l'appareil est placé **sur le haut-parleur**.
Le projecteur reste continuellement dirigé vers le public, donc, devant la scène. Angle du mouvement pan (de gauche à droite à gauche) : 160°. Angle du mouvement tilt : 90° (60° au dessus de l'horizontale ; 30° en dessous de l'horizontale).
 - **Sh 4** Mode show 4 : l'appareil est fixé **au plafond**. La plupart du temps, le spot projette son faisceau devant la scène. Angle du mouvement pan (de gauche à droite à gauche) : 160°. Angle du mouvement tilt : 90° (verticalement, devant 75°; derrière 15°).
- Dès que le mode de fonctionnement est affiché à l'écran, appuyez sur la touche ENTER pour confirmer votre choix.
(Où il retournera automatiquement aux fonctions principales sans aucune modification après 8 secondes)
Pour retourner aux fonctions sans effectuer de changements, appuyez à nouveau sur la touche MENU.

SLnd Slave Mode

Est utilisé pour que l'appareil esclave fonctionne de façon opposée au maître ou pour fonctionner de façon complètement synchronisé.

- Appuyez sur la touche MENU jusqu'à ce que **SLnd** s'affiche à l'écran.
- Appuyez sur la touche ENTER, l'écran commence à clignoter.
- Utilisez les touches DOWN et UP pour sélectionner **SL 1** (normal) ou **SL 2** (2 light show).
- Dès que le mode de fonctionnement est affiché à l'écran, appuyez sur la touche ENTER pour confirmer votre choix.
(Où il retournera automatiquement aux fonctions principales sans aucune modification après 8 secondes)

Addr	512	DMX512 Address Setting
Shnd	Sh 1	Show mode 1
	Sh 2	Show mode 2
	Sh 3	Show mode 3
	Sh 4	Show mode 4
SLnd	SL 1	Slave Mode " Normal "
	SL 2	Slave mode " 2 Light Show "
SOUND	on	Sound Mode on
	off	Sound Mode off
BLnd	YES	Blackout Mode " Yes Blackout "
	no	Blackout Mode " No Blackout "
MENU	IPAN	Pan Normal
	I	Pan Inversion
TILT	no	Tilt Normal
	I	Tilt Inversion
LED	on	LED on
	off	LED off
DISP	DISP	Normal
	DISIP	Inversion
FRDJ		Focus Adjust
TEST		Self-Test
TEMP		Temperature Test
FRHS		Fixture Hours
VER		Software Version
RESET		Reset

Pour retourner aux fonctions sans effectuer de changements, appuyez à nouveau pendant environ 2 secondes sur la touche MENU.

SoUn Sound mode (mode son):

Ce mode est utilisé pour faire réagir l'appareil au rythme de la musique quand il est utilisé en mode autonome ou en mode maître/esclave

- Appuyez sur la touche MENU jusqu'à ce que **SoUn** s'affiche à l'écran.
- Appuyez sur la touche ENTER, l'écran commence à clignoter.
- Utilisez les touches DOWN et UP pour sélectionner **On** (activé par le son) ou **OFF**.
- Dès que le mode de fonctionnement est affiché à l'écran, appuyez sur la touche ENTER pour confirmer votre choix.

(Où il retournera automatiquement aux fonctions principales sans aucune modification après 8 secondes)

Pour retourner aux fonctions sans effectuer de changements, appuyez à nouveau sur la touche MENU.

BLnD Mode Black-out

Black-out mode: quand aucun signal DMX est détecté, l'appareil se met en black-out et attends un signal DMX.

Mode « pas de black-out »: quand aucun signal DMX est détecté, l'appareil se met automatiquement à fonctionner de façon autonome.

- Appuyez sur la touche MENU jusqu'à ce que **BLnD** est affiché à l'écran.
- Appuyez sur la touche ENTER, l'écran commence à clignoter.
- Utilisez les touches DOWN et UP pour sélectionner **Y_ba** (yes black-out) ou **n_ba** (no black-out).
- Dès que le mode de fonctionnement est affiché à l'écran, appuyez sur la touche ENTER pour confirmer votre choix.

(Où il retournera automatiquement aux fonctions principales sans aucune modification après 8 secondes)

Pour retourner aux fonctions sans effectuer de changements, appuyez à nouveau pendant environ 2 secondes sur la touche MENU.

IPan Inversion Pan

Normal: le mouvement pan n'est pas inversé.

Pan inversion: le mouvement pan est inversé

- Appuyez sur la touche MENU jusqu'à ce que **IPan** est affiché à l'écran.
- Appuyez sur la touche ENTER, l'écran commence à clignoter.
- Utilisez les touches DOWN et UP pour sélectionner **no** (normal) ou **pan** (pan inversion).
- Dès que le mode de fonctionnement est affiché à l'écran, appuyez sur la touche ENTER pour confirmer votre choix.

(Où il retournera automatiquement aux fonctions principales sans aucune modification après 8 secondes)

Pour retourner aux fonctions sans effectuer de changements, appuyez à nouveau sur la touche MENU.

ITilt Inversion Tilt

Normal: le mouvement tilt n'est pas inversé.

Tilt inversion: le mouvement tilt est inversé

- Appuyez sur la touche MENU jusqu'à ce que **ITilt** est affiché à l'écran.
- Appuyez sur la touche ENTER, l'écran commence à clignoter.
- Utilisez les touches DOWN et UP pour sélectionner **no** (normal) ou **tilt** (tilt inversion).
- Dès que le mode de fonctionnement est affiché à l'écran, appuyez sur la touche ENTER pour confirmer votre choix.

(Où il retournera automatiquement aux fonctions principales sans aucune modification après 8 secondes)

Pour retourner aux fonctions sans effectuer de changements, appuyez à nouveau pendant environ 2 secondes sur la touche MENU.

LEd Led Display

Display on: l'écran est toujours allumé.

Display off: l'écran est éteint quand il n'est pas utilisé.

- Appuyez sur la touche MENU jusqu'à ce que l'écran affiche **LEd**.
 - Appuyez sur la touche ENTER, l'écran commence à clignoter.
 - Utilisez les touches DOWN et UP pour sélectionner **on** (écran toujours allumé) ou **OFF** (écran éteint si pas utilisé).
 - Dès que le mode de fonctionnement est affiché à l'écran, appuyez sur la touche ENTER pour confirmer votre choix.
- (Où il retournera automatiquement aux fonctions principales sans aucune modification après 8 secondes)

Pour retourner aux fonctions sans effectuer de changements, appuyez à nouveau sur la touche MENU.

DISP Inversion de l'affichage

Ecran normal : l'écran est lisible quand l'appareil est posé normalement sur une surface.

Inversion de l'affichage : l'écran est lisible quand l'appareil est monté en position renversée.

- Appuyez sur la touche MENU jusqu'à ce que les lettres **DISP** soient affichées par l'écran. (écran normal)
- Appuyez sur la touche ENTER pour passer de **DISP** (écran normal) à **DISP** (inversion de l'écran)
- Après 8 secondes environ, votre choix est enregistré automatiquement.

FADJ Focus Adjust

Est utilisé pour vous aider à régler le focus des faisceaux et des gobos.

- Appuyez sur la touche MENU jusqu'à ce que **FADJ** clignote à l'écran.
- Appuyez sur la touche ENTER pour que l'appareil adopte la position "tilt 90°".
- Appuyez sur la touche ENTER pour que l'appareil adopte la position "pan 0°".
- Appuyez sur la touche ENTER pour que l'appareil adopte la position "pan 90°".
- Appuyez sur la touche ENTER pour que l'appareil adopte la position "pan 180°".
- Appuyez sur la touche ENTER pour que l'appareil adopte la position "pan 270°".

Dans les 5 pas précédents vous pouvez ajuster le focus à l'aide des touches UP/DOWN de l'appareil (l'écran affiche la valeur du focus).

Attention: vous pouvez uniquement effectuer un réglage "général" du focus couvrant les 5 positions, il n'est donc pas possible régler parfaitement le focus pour toutes les directions individuellement.

- Pour retourner aux fonctions, appuyez sur la touche MENU.

EPSE Self-Test

Est utilisé pour activer le programme interne "self-test" qui passera en revue toutes les possibilités de l'appareil.

- Appuyez sur la touche MENU jusqu'à ce que **EPSE** clignote à l'écran.
- Appuyez sur la touche ENTER pour démarrer le programme intégré « self-test ».
- Pour retourner aux fonctions, appuyez sur la touche MENU.

TEMP Température à l'intérieur de l'appareil

Utilisé pour afficher la température à l'intérieur du compartiment de la lampe.

- Appuyez sur le bouton MENU jusqu'à ce que les lettres **TEMP** se mettent à clignoter sur l'écran.
- Appuyez sur le bouton ENTER et la température de l'appareil sera affichée sur l'écran.
- Pour retourner vers les fonctions, appuyez de nouveau sur le bouton MENU.

Fhrs Fixture Hours

Vous communique le nombre d'heures de service de l'appareil.

- Appuyez sur la touche MENU jusqu'à ce que **Fhrs** clignote à l'écran.
- Appuyez sur la touche ENTER pour que l'appareil affiche le nombre d'heures de service à l'écran.
- Pour retourner aux fonctions, appuyez sur la touche MENU.

Version du logiciel

Cette possibilité est utilisée pour montrer quelle est la version du logiciel qui a été installée dans l'appareil

- Appuyez sur la touche MENU jusqu'à ce que **VER** clignote à l'écran.
- Appuyez sur la touche ENTER pour afficher la version du logiciel.
- Pour retourner aux fonctions, appuyez sur la touche MENU.

Reset

Pour effectuer une mise à zéro de l'appareil.

- Appuyez sur la touche MENU jusqu'à ce que **RST** clignote à l'écran.
- Appuyez sur ENTER pour renvoyer tous les canaux à leur position d'origine.
- Pour retourner aux fonctions, appuyez sur la touche MENU.

Veillez également consulter le chapitre concernant la configuration des canaux DMX pour découvrir comment effectuer une mise à zéro (reset) par commande DMX.

INSTALLATION ELECTRIQUE + ADRESSAGE

Important : L'installation électrique devrait être effectuée uniquement par du personnel qualifié, suivant les normes de sécurité relatives à l'électricité et à la mécanique dans votre pays.

Installation électrique pour 1 appareil en fonctionnement seul:

- Installez simplement le câble secteur. L'appareil commencera à fonctionner immédiatement en mode autonome.

Remarque 1: vous pouvez brancher une commande à distance CA-8 sur l'appareil si vous souhaitez avoir plus de possibilités de contrôle. Référez-vous à la section 'Comment utiliser l'appareil' pour apprendre à effectuer cette procédure correctement.

Remarque 2: s'il n'y a pas de sortie, veuillez vous assurer que l'appareil soit bien réglé en mode 'master' et réglez le mode blackout sur « NO » (se reporter au chapitre précédent).

Installation électrique pour deux ou plusieurs appareils en maître/esclave:



- Branchez de 2 à 16 appareils au maximum ensemble en utilisant des câbles symétriques pour micro de bonne qualité. Le premier appareil dans la chaîne se comportera automatiquement en tant que maître, les autres appareils se comporteront automatiquement en tant qu'esclaves.
- Assurez-vous que les appareils sont tous branchés sur le secteur.
- Et c'est terminé!

Remarque: vous pouvez brancher une commande à distance CA-8 sur l'appareil maître (master) si vous souhaitez avoir plus de contrôle sur le fonctionnement maître/esclave.

Installation électrique en mode DMX :

- Le protocole DMX est un signal à haute vitesse très utilisé pour contrôler des équipements lumineux intelligents. Vous devez connecter en guirlande (daisy chaining) votre contrôleur DMX et tous les appareils avec un câble symétrique de bonne qualité.
- Les deux types de connecteurs XLR, ceux à 3 broches comme ceux à 5 broches, peuvent être utilisés ; cependant, les connecteurs à 3 broches se rencontrent plus fréquemment car ils sont compatibles avec les câbles audio symétriques.

Plan de câblage des XLR à 3 broches : Broche 1 = prise de terre ~ broche 2 = signal négatif (-) ~ broche 3 = signal positif (+)

Plan de câblage des XLR à 5 broches : Broche 1 = prise de terre ~ broche 2 = signal négatif (-) ~ broche 3 = signal positif (+) ~ broches 4 et 5 : non utilisées.

- Pour éviter des comportements étranges des effets lumineux dus aux interférences,



vous devez utiliser une résistance de bouclage de 90 ohms à 120 ohms en fin de chaîne. Ne jamais utiliser de séparateur de câbles en forme de "Y", cela ne fonctionnera pas !

- Assurez-vous que tous les appareils soient bien connectés au secteur.
- Chaque effet lumineux de la chaîne doit avoir sa propre adresse de départ afin de savoir à quelle commande du contrôleur il doit obéir. Dans le chapitre qui suit, vous apprendrez à régler les adresses DMX.



COMMENT REGLER L'ADRESSE DE DEMARRAGE EXACTE:

Référez-vous au chapitre précédent (réglage de l'adresse DMX-512) pour apprendre à régler l'adresse de départ sur cet appareil. L'adresse de départ de chaque appareil est très importante. Malheureusement il est impossible de vous expliquer dans ce mode d'emploi quel adresse de démarrage vous devez introduire car cela dépend entièrement du contrôleur que vous utiliserez ... veuillez donc vous référer au mode d'emploi de votre contrôleur DMX pour savoir quelle adresse vous devez utiliser.

CONFIGURATION DMX DU LYNX:

DMX512 Configuration					
Ch1	Ch2	Ch3	Ch4	Ch5	Ch6
Pan	Tilt	Strobe	Gobo	Color	Dimmer
		248-255 Open	255 Rotation Fast	255 Rotation Fast	
		240-247 Random Strobe	128 Rotation Slow	128 Rotation Slow	
		232-239 Open	115-121	105-119 Yellow	
540°	270°	190-231 Fast open slow close	108-114	090-104 Green	
		182-189 Open	101-107	075-089 Light Blue	
		140-181 Slow open fast close	093-100	060-074 Orange	
270°	135°	132-139 Open	086-092	045-059 Pink	
		16-131	079-085	030-044 Light Yellow	
		8-15	072-078	015-029 Light Green	
0°	0°	0-7 Blackout	064-071	000-014 White	
			058-063		
			051-057		
			044-050		
			037-043		
			029-036		
			022-028		
			015-021		
			008-014		
			000-007		



COMMENT UTILISER L'APPAREIL

Chaque fois que vous allumerez l'appareil, l'écran affichera 'MS20' et tous les moteurs retourneront à leur position 'initiale' ce qui fait que vous entendrez des bruits pendant environ 20 secondes. Après cela, l'appareil sera prêt à recevoir des signaux DMX ou à parcourir ses programmes.

Vous pouvez utiliser l'appareil selon 3 façons:

- o En utilisant les programmes intégrés maître/esclave
- o En utilisant le petit contrôleur
- o En utilisant un contrôleur DMX universel

• **EN UTILISANT LES PROGRAMMES INTÉGRÉS MAÎTRE/ESCLAVE:**

Sélectionnez cette fonction si vous voulez un show instantané. En reliant tous les appareils selon le principe maître/esclave, le premier appareil contrôlera tous les autres appareils en effectuant un show automatique et synchronisé au rythme de la musique. Rien ne sera branché à son entrée DMX et son Led « master » sera constamment allumé, le Led « sound » clignotera au rythme de la musique.

- **L'appareil Maître possède 2 shows préprogrammés:** vous pouvez sélectionner **Sh 1** (show 1), **Sh 2** (show 2), **Sh 3** (show 3) ou **Sh 4** (show 4) immédiatement dans le menu du master (maître).

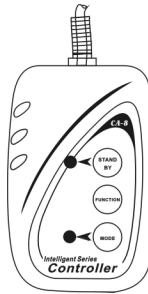
- **Les appareils Esclaves possèdent 2 options:** les autres appareils sont réglés en mode esclave (le Led « slave » est constamment allumé). Afin de créer un magnifique show vous pouvez introduire des mouvements contrastés (pan/tilt de l'appareil esclave est inversé) → dans le menu des appareils esclaves vous pouvez aller à l'option **SLnd** et sélectionner:

- o **SL 1** → **Normal slave:** l'appareil esclave fonctionne de façon synchronisé par rapport à l'appareil maître.
- o **SL 2** → **2 light show:** l'appareil esclave fonctionne à l'opposé de l'appareil maître.

• **EN UTILISANT LE CONTRÔLEUR CA-8:**

Si vous utilisez l'appareil en mode maître/esclave nous vous recommandons d'utiliser le contrôleur CA-8. Connectez ce petit contrôleur à l'entrée jack 1/4" de l'appareil maître. Ceci vous permettra de contrôler les fonctions suivantes:

Standby	L'appareil est totalement éteint.		
Function	1. Strobe Synchro. 2. Double Strobe 3. Strobe Son	Selection Show 1-4	<ul style="list-style-type: none"> • Appuyez brièvement pour changer de couleur • Appuyez pendant une seconde pour changer de gobo
Mode	Son (LED éteinte)	Show (LED Clignote)	LED allumée



MAINTENANCE

- Assurez-vous que la zone au-dessous du lieu d'installation ne comporte pas de personnes indésirables lors de la maintenance
- Mettez l'unité hors tension, débranchez le cordon d'alimentation et attendez que l'appareil ait refroidi.

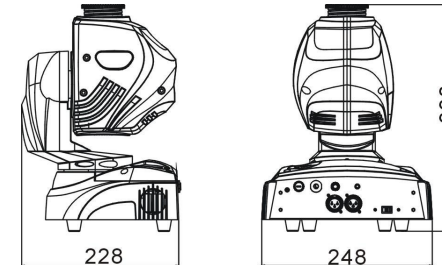
Pendant l'inspection, les points suivants doivent être vérifiés :

- Toutes les vis utilisées pour l'installation de l'appareil ou de chacune de ses pièces doivent être bien fixées et non corrodées.
- Les niches, fixations et structures de support (plafond, poutres, suspensions) doivent être totalement intactes, sans aucune déformation.
- Lorsqu'une lentille optique est visiblement endommagée (fissure ou éraflures profondes), elle doit être remplacée.
- Les câbles doivent être en parfaite condition et doivent être remplacés immédiatement en cas de détection d'un problème, même bénin.
- Pour protéger l'appareil de toute surchauffe, les ventilateurs (si applicable) et les ouvertures de ventilation doivent être nettoyées mensuellement.
- L'intérieur de l'appareil doit être nettoyé annuellement à l'aide d'un aspirateur ou jet d'air.
- Le nettoyage des lentilles optiques internes et externes et/ou des miroirs doit être effectué périodiquement pour optimiser la production de lumière. La fréquence de nettoyage dépend de l'environnement dans lequel l'appareil fonctionne: des environnements humides, enfumés ou particulièrement sales peuvent entraîner une accumulation de saleté plus importantes sur les optiques de l'appareil.
 - Nettoyez à l'aide d'un chiffon doux avec des produits de nettoyage pour verres normaux.
 - Séchez toujours les parties soigneusement.
 - Nettoyez les optiques externes ou moins une fois tous les 30 jours.
 - Nettoyez les optiques internes ou moins une fois tous les 90 jours.

Attention: Nous vous recommandons fortement de faire exécuter le nettoyage interne par du personnel qualifié !

SPECIFICATIONS

Alimentation:	AC 230V, 50Hz
Consommation maximale:	55 Watt
Contrôle de son:	Microphone interne
Mouvements Pan/Tilt:	540° / 270°
Angle du faisceau :	14°
Connexions DMX :	connecteur XLR mâle / femelle à 3 broches
Led:	1 LED blanche de 20Watt
Taille:	voir dessin
Poids:	4,8 kg



Chacune de ces informations peut être modifiée sans avertissement préalable. Vous pouvez télécharger la dernière version de ce mode d'emploi de notre site Web: www.beglec.com

GEBRUIKSAANWIJZING

Hartelijk dank voor de aankoop van dit JB Systems® product. Om ten volle te kunnen profiteren van alle mogelijkheden en voor uw eigen veiligheid, gelieve de aanwijzingen zeer zorgvuldig te lezen voor U begint het apparaat te gebruiken.

**DOOR U OP ONZE MAILINGLIJST IN TE SCHRIJVEN ONTVANGT U STEEDS DE LAATSTE INFORMATIE OVER ONZE PRODUKTEN: NIEUWIGHEDEN, SPECIALE ACTIES, OPENDEURDAGEN, ENZ.
→ SURF NAAR: WWW.BEGLEC.COM ←**

KARAKTERISTIEKEN

In dit apparaat is radio-interferentie onderdrukt. Dit product voldoet aan de gangbare Europese en nationale voorschriften. Het is vastgesteld dat het apparaat er zich aan houdt en de desbetreffende verklaringen en documenten zijn door de fabrikant afgegeven.

- Opvallende Hi Tech moving head voor de Pro DJ, verhuurbedrijven en discotheken
- Op basis van een 20WATT LED:
 - Zeer laag verbruik (besparing op de energiekosten!)
 - Zeer heldere kleuren in vergelijking met de traditionele halogeeneffecten
 - Geen lampen te vervangen!
 - Zeer lage warmteontwikkeling
 - Lichtgewicht (geen lamptransformatoren nodig)
- Krachtige lichtopbrengst en scherpe gobo's dankzij uitstekende optische elementen
- 0-100% dimmer en uiterst snelle strobe functie
- Mooie ingebouwde programma's voor gevarieerde lichtshows:
 - DMX controle: 6 kanalen (pan, tilt, kleuren, gobo's, dimmer, strobe)
 - Standalone: muziekgestuurd via de ingebouwde microfoon
 - Master/slave: prachtige synchrone shows
- 8 gobo's + open, uitgerust met de gobo shaking functie
- Afzonderlijk kleurenwiel (8 kleuren + wit)
- Automatische X/Y herpositionering
- CA-8 controller in optie verkrijgbaar

VOOR DE IN GEBRUIKNAME

Controleer voor het eerste gebruik van het apparaat of het tijdens het transport beschadigd werd. Mocht er schade zijn, gebruik het dan niet, maar raadpleeg eerst uw dealer.

Belangrijk: Dit apparaat verliet de fabriek in uitstekende staat en goed verpakt. Het is erg belangrijk dat de gebruiker de veiligheidsaanwijzingen en raadgevingen in deze gebruiksaanwijzing uiterst nauwkeurig volgt. Elke schade veroorzaakt door verkeerd gebruik van het apparaat valt niet onder de garantie. De dealer aanvaardt geen verantwoordelijkheid voor mankementen en problemen die komen door het veronachtzamen van deze gebruiksaanwijzing.

Bewaar deze brochure op een veilige plaats om hem in de toekomst nogmaals te kunnen raadplegen. Indien U het apparaat verkoopt, denkt U er wel aan om de gebruiksaanwijzing bij te voegen.

Controleer de inhoud:

Controleer of de doos volgende onderdelen bevat:

- Handleiding
- LYNX toestel
- 1 ophangbeugel + 2 bouten

VEILIGHEIDSVOORSCHRIFTEN:



CAUTION
RISK OF ELECTRIC SHOCK
DO NOT OPEN



WAARSCHUWING: Om het risico op elektrocutie zoveel mogelijk te vermijden mag u nooit de behuizing verwijderen. Er bevinden zich geen onderdelen in het toestel die u zelf kan herstellen. Laat de herstellingen enkel uitvoeren door een bevoegde technicus.



De bliksempijl die zich in een gelijkbenige driehoek bevindt is bedoeld om u te wijzen op het gebruik of de aanwezigheid van niet-geïsoleerde onderdelen met een "gevaarlijke spanning" in het toestel die voldoende kracht heeft om een risico van elektrocutie in te houden.



Het uitroepteken binnen de gelijkbenige driehoek is bedoeld om de gebruiker erop te wijzen dat er in de meegeleverde literatuur belangrijke gebruik en onderhoudsinstructies vermeld staan betreffende dit onderdeel.



Dit symbool betekent: het apparaat mag enkel binnenhuis worden gebruikt.



Dit symbool betekent: Lees de handleiding!



Dit symbool bepaalt: de minimumafstand van te belichten voorwerpen. De minimumafstand tussen projector en het verlichte voorwerp moet meer dan 1 meters zijn.

- Om het milieu te beschermen, probeer zoveel mogelijk het verpakkingsmateriaal te recyclen.
- Een nieuw lichteffect kan soms ongewenste rook en/of reuk veroorzaken. Dit is normaal en verdwijnt na een paar minuten.
- Stel dit apparaat niet bloot aan regen of vocht, dit om het risico op brand en elektrische schokken te voorkomen.
- Om de vorming van condensatie binnenin te voorkomen, laat het apparaat aan de omgevingstemperatuur wennen wanneer het, na het transport, naar een warm vertrek is overgebracht. Condensatie kan het toestel soms verhinderen perfect te functioneren. Het kan soms zelfs schade aan het apparaat toebrengen.
- Gebruik dit apparaat uitsluitend binnenshuis.
- Plaats geen stukken metaal en mors geen vocht binnen in het toestel om elektrische schokken of storing te vermijden. Indien een vreemd voorwerp in het apparaat geraakt, moet U het direct van het lichtnet afkoppelen.
- Plaats de installatie op een plaats met goede ventilatie, ver van brandbare materialen en/of vloeistoffen. De installatie moet op minstens 50 cm van de muren rondom geplaatst worden.
- Bedek geen enkele ventilatieopening om oververhitting te vermijden.
- Zorg dat het toestel niet in een stoffige omgeving wordt gebruikt en maak het regelmatig schoon.
- Houd het apparaat uit de buurt van kinderen.
- Dit apparaat mag niet door onervaren personen bediend worden.
- De maximum veilige omgevingstemperatuur is 40°C. Gebruik het apparaat dus niet bij hogere temperaturen.
- Verzekert er U van dat er zich onder de plaats waar het toestel wordt geïnstalleerd geen ongewenste personen bevinden tijdens het bevestigen en losmaken alsook bij het onderhoud.
- Trek altijd de stekker uit wanneer het apparaat gedurende langere tijd niet wordt gebruikt of alvorens te beginnen met de onderhoudsbeurt.
- De elektrische installatie behoort uitsluitend uitgevoerd te worden door bevoegd personeel, volgens de in uw land geldende regels betreffende elektrische en mechanische veiligheid.
- Controleer dat de beschikbare spanning niet hoger is dan die aangegeven op de achterzijde van het toestel.
- De elektrische kabel behoort altijd in uitstekende staat te zijn. Zet het apparaat onmiddellijk af als de elektrische kabel gekneusd of beschadigd is. De kabel moet vervangen worden door de fabrikant zelf, zijn dealer of vergelijkbare bekwame personen om een brand te voorkomen.
- Laat de elektrische draad nooit in contact komen met andere draden.
- Volgens de veiligheidsvoorschriften moet deze installatie geaard worden.
- Sluit het apparaat niet aan op een elektronische dimmer.
- Gebruik altijd een geschikte en gekeurde veiligheidskabel bij het installeren van het toestel.
- Om elektrische schokken te voorkomen, moet U de behuizing niet openen. Er zitten geen onderdelen in het toestel die door de gebruiker moeten worden onderhouden.

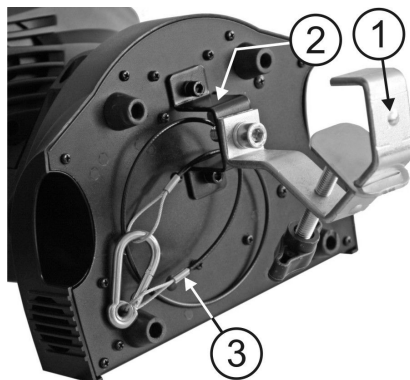
- Repareer **nooit** een zekering en overbrug de zekeringhouder nooit. Vervang een beschadigde zekering **steeds** door een zekering van hetzelfde type en met dezelfde elektrische kenmerken.
- Ingeval van ernstige problemen met het bedienen van het toestel, stopt U onmiddellijk het gebruik ervan. Neem contact op met uw dealer voor een eventuele herstelling.
- De behuizing en de lenzen moeten vervangen worden als ze zichtbaar beschadigd zijn.
- Gebruik best de originele verpakking als het toestel vervoerd moet worden.
- Om veiligheidsredenen is het verboden om ongeautoriseerde modificaties aan het toestel aan te brengen.

Belangrijk: Kijk nooit rechtstreeks in de lichtbron. Gebruik het lichteffect niet in de tegenwoordigheid van personen die lijden aan epilepsie.

OPHANGEN VAN HET APPARAAT

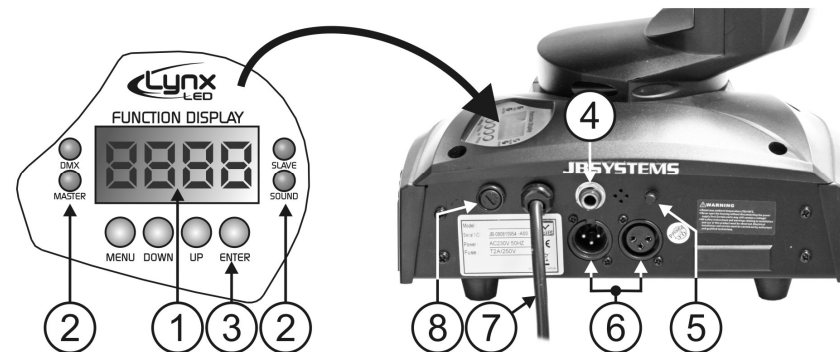
- **Belangrijk:** De installatie van het toestel mag uitsluitend door bekwaam onderhoudspersoneel uitgevoerd worden. Onjuiste plaatsing kan ernstige letsels en/of schade aan eigendommen tot gevolg hebben. Het ophangen vergt veel ervaring. U behoort de grenzen te respecteren aan de werklust; erkende installeringmaterialen moeten worden gebruikt; de veiligheid van het geïnstalleerde toestel moet regelmatig worden gecontroleerd.
- Overtuig U ervan dat het gebied onder installatieplaats vrij is van ongewenste personen tijdens het plaatsen, het weghalen en het onderhoud.
- Installeer het toestel op een goed geventileerde plaats, ver van brandbare stoffen en/of vloeistoffen. Het toestel moet worden bevestigd op **minstens 50 cm** van de omringende muren.
- Het toestel moet worden geïnstalleerd buiten het bereik van iedereen en weg van plaatsen waar men mag lopen en zitten.
- Alvorens tot plaatsen over te gaan, moet men controleren dat de minimum puntbelasting van de installatieplaats 10 keer het gewicht van het toestel bedraagt.
- Gebruik bij het installeren van het toestel altijd een gewaarmerkte (nummer 3 op de afbeelding) veiligheidskabel die 12 keer het gewicht van het toestel kan dragen. Deze bijkomende veiligheidsbevestiging moet zo worden aangebracht dat geen deel van het toestel meer dan 20 cm vallen kan als de hoofdbeveiliging faalt.
- Het apparaat moet goed worden vastgezet; aan een vrij zwaaiende montage mag zelfs niet gedacht worden.
- Bedek geen ventilatieopeningen, anders zou dit oververhitting tot gevolg kunnen hebben.
- De gebruiker moet er zich van verzekeren dat de installaties met betrekking tot de veiligheid en de technische mechaniek door een expert zijn goedgekeurd alvorens ze voor de eerste keer te gebruiken. Elk jaar moeten de installaties worden gekeurd door een vakman om te controleren of de veiligheid nog steeds perfect is.

1. Optionele bevestigingsklem
2. Speciale klem (inbegrepen)
3. Optionele veiligheidskabel



INSTELLEN VAN HET TOESTEL

- **Bedieningspaneel:**



1. **DISPLAY** geeft de verschillende menu's en de gekozen functies weer.
2. **LEDS**

DMX	Aan	DMX signaal aanwezig
MASTER	Aan	Master mode
SLAVE	Aan	Slave mode
SOUND	Knippert	Geluidsactivering

3. **TOETSEN**

MENU	Om programmeringfuncties te selecteren
DOWN	Om terug te gaan in de geselecteerde functies
UP	Om verder te gaan in de geselecteerde functies
ENTER	Om de geselecteerde functies te bevestigen

4. **REMOTE CONTROL INGANG:** sluit de optionele CA-8 afstandsbediening aan op de 1/4" microfoon jack om zo het toestel te controleren voor stand by, functie en modus
5. **SENSITIVITY:** wordt gebruikt om de gevoeligheid van de microfoon in te stellen wanneer het toestel gebruikt wordt in standalone of master/slave mode.
6. **DMX INPUT/OUTPUT:** wordt gebruikt voor DMX512 verbinding. Gebruik symmetrische 3pins XLR M/V kabels van goede kwaliteit om de toestellen met elkaar te verbinden.
7. **VOEDINGSKABEL:** controleer de spanning (230V 50Hz) alvorens de kabel aan te sluiten!
8. **HOOFDZEKERING:** vervang deze zekering steeds met een zekering met dezelfde eigenschappen! (250V/2A traag)

HOOFDMENU:

- Druk op de **MENU** toets om een van de pre-set functies te kiezen. Druk op de toets tot de gewenste functie op de display verschijnt.
- Selecteer de functie met de **ENTER** toets. De display zal knipperen.
- Gebruik de **DOWN** en **UP** toetsen om de modus te wijzigen.
- Eens u de gewenste modus geselecteerd hebt moet u op de **ENTER** toets drukken om uw keuze te bevestigen. Na 8 seconden zal de display automatisch naar de hoofdfuncties terugkeren zonder iets veranderd te hebben. Om naar de functies terug te keren zonder iets te wijzigen moet u weer gedurende ongeveer 2 seconden op de **MENU** toets drukken. De hoofdfuncties worden hier rechts weergegeven.

Addr DMX512 Adresinstelling

Wordt gebruikt om het startadres van het toestel in te stellen in een DMX configuratie.

- Druk op de MENU toets tot **Addr** op de display weergegeven wordt.
 - Druk op de ENTER toets, de display begint te knipperen.
 - Gebruik de DOWN en UP toetsen om het DMX512 adres te wijzigen.
 - Wanneer het juiste adres op de display wordt weergegeven, druk dan op de ENTER toets om uw keuze te bevestigen. (anders keert hij na 8 seconden automatisch weer naar de hoofdfuncties zonder iets gewijzigd te hebben)
- Om naar de functies terug te keren zonder iets te wijzigen moet u weer gedurende ongeveer 2 seconden op de **MENU** toets drukken.

Shnd Show Mode

Wordt gebruikt om de Show werkmodus te kiezen wanneer het toestel standalone of in master/slave configuratie gebruikt wordt.

- Druk op de MENU toets tot **Shnd** op de display weergegeven wordt.
- Druk op de ENTER toets, de display begint te knipperen.

Gebruik de DOWN en UP toetsen om een van de beschikbare shows te kiezen: **Sh 1**

Sh 1 mode- Het toestel staat op de **grond**. Tilt bewegingshoek 210°.

Sh 2 Show 2 mode- Het toestel hangt onder het **plafond**. Tilt bewegingshoek 90°.

Sh 3 Show 3 mode – Het toestel staat op een **podium, tegenover het publiek**
De spot projecteert steeds in de richting van het publiek en staat dus aan de voorkant van het podium. Pan bewegingshoek (links naar rechts naar rechts): 160°. Tilt bewegingshoek: 90° (60° boven de horizon; 30° onder de horizon.)

Sh 4 Show 4 mode – Het toestel hangt **onder het plafond**.
De spot projecteert vooral aan de voorzijde van het podium. Pan bewegingshoek (links naar rechts naar links): 160°. Tilt bewegingshoek: 90° (verticaal, voorzijde 75°; achterzijde 15°)

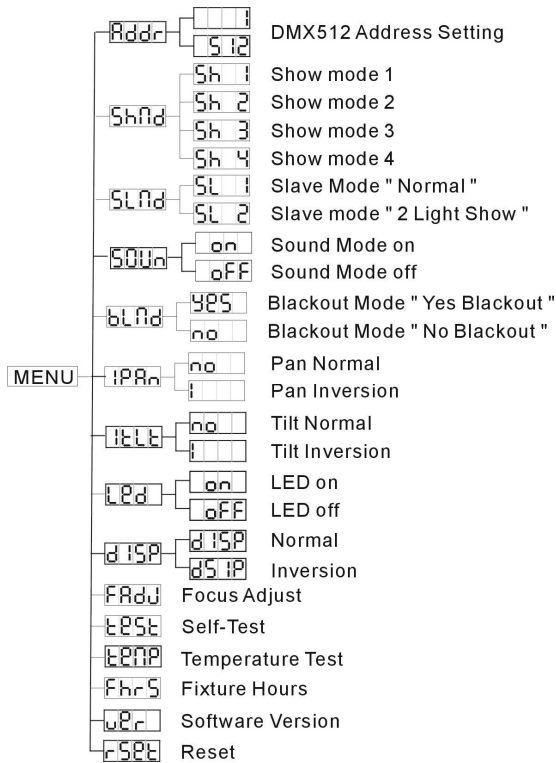
- Wanneer de gewenste modus op de display wordt weergegeven, druk dan op de ENTER toets om uw keuze te bevestigen.

(anders keert hij na 8 seconden automatisch weer naar de hoofdfuncties zonder iets gewijzigd te hebben)
Om naar de functies terug te keren zonder iets te wijzigen moet u weer gedurende ongeveer 2 seconden op de **MENU** toets drukken.

SLnd Slave Mode

Wordt gebruikt om het slave toestel synchroon of tegenovergesteld te laten werken ten opzichte van de master.

- Druk op de MENU toets tot **SLnd** op de display weergegeven wordt.
- Druk op de ENTER toets, de display begint te knipperen.
- Gebruik de DOWN en UP toetsen om **SL 1** (normal) of **SL 2** (2 light show) te selecteren.
- Wanneer de gewenste modus op de display wordt weergegeven, druk dan op de ENTER toets om uw keuze te bevestigen. (anders keert hij na 8 seconden automatisch weer naar de hoofdfuncties zonder iets gewijzigd te hebben)



Om naar de functies terug te keren zonder iets te wijzigen moet u weer gedurende ongeveer 2 seconden op de **MENU** toets drukken.

SOUn Sound Mode

Wordt gebruikt in standalone of master/slave modus om de toestellen op het ritme van de muziek te laten werken

- Druk op de MENU toets tot **SOUn** op de display weergegeven wordt.
- Druk op de ENTER toets, de display begint te knipperen.
- Gebruik de DOWN en UP toetsen om **on** of **off** te kiezen.
- Wanneer de gewenste modus op de display wordt weergegeven, druk dan op de ENTER toets om uw keuze te bevestigen. (anders keert hij na 8 seconden automatisch weer naar de hoofdfuncties zonder iets gewijzigd te hebben)

Om naar de functies terug te keren zonder iets te wijzigen moet u weer gedurende ongeveer 2 seconden op de **MENU** toets drukken.

bLnd Blackout Mode

Black-out mode: wanneer geen enkel DMX signaal gedetecteerd wordt, dan gaat het toestel over naar de black-out modus en wacht op het volgende DMX signaal.

No blackout mode: wanneer geen enkel DMX signaal gedetecteerd wordt, dan schakelt het toestel automatisch over naar standalone werking.

- Druk op de MENU toets tot **bLnd** op de display weergegeven wordt.
- Druk op de ENTER toets, de display begint te knipperen.
- Gebruik de DOWN en UP toetsen om **ba** (yes blackout) of **no** (no blackout) te selecteren.
- Wanneer de gewenste modus op de display wordt weergegeven, druk dan op de ENTER toets om uw keuze te bevestigen. (anders keert hij na 8 seconden automatisch weer naar de hoofdfuncties zonder iets gewijzigd te hebben)

Om naar de functies terug te keren zonder iets te wijzigen moet u weer gedurende ongeveer 2 seconden op de **MENU** toets drukken.

IPAn Pan Inversion

Normal: Pan beweging wordt niet omgekeerd.

Pan inversion: Pan beweging werkt tegenovergesteld

- Druk op de MENU toets tot **IPAn** op de display weergegeven wordt.
- Druk op de ENTER toets, de display begint te knipperen.
- Gebruik de DOWN en UP toetsen om **no** (normal) of **i** (pan inversion) te selecteren.
- Wanneer de gewenste modus op de display wordt weergegeven, druk dan op de ENTER toets om uw keuze te bevestigen. (anders keert hij na 8 seconden automatisch weer naar de hoofdfuncties zonder iets gewijzigd te hebben)

Om naar de functies terug te keren zonder iets te wijzigen moet u weer gedurende ongeveer 2 seconden op de **MENU** toets drukken.

tLtl Tilt Inversion

Normal: Tilt beweging wordt niet omgekeerd.

Tilt inversion: tilt beweging werkt tegenovergesteld

- Druk op de MENU toets tot **tLtl** op de display weergegeven wordt.
- Druk op de ENTER toets, de display begint te knipperen.
- Gebruik de DOWN en UP toetsen om **no** (normal) of **i** (tilt inversion) te selecteren.
- Wanneer de gewenste modus op de display wordt weergegeven, druk dan op de ENTER toets om uw keuze te bevestigen. (anders keert hij na 8 seconden automatisch weer naar de hoofdfuncties zonder iets gewijzigd te hebben)

Om naar de functies terug te keren zonder iets te wijzigen moet u weer gedurende ongeveer 2 seconden op de **MENU** toets drukken.

LED Led Display

Display on: display is steeds aan.

Display off: display is uit wanneer deze niet gebruikt wordt.

- Druk op de MENU toets tot **LED** op de display weergegeven wordt.
 - Druk op de ENTER toets, de display begint te knipperen.
 - Gebruik de DOWN en UP toetsen om **ON** (display steeds aan) of **OFF** (display uit wanneer niet in gebruik).
 - Wanneer de gewenste modus op de display wordt weergegeven, druk dan op de ENTER toets om uw keuze te bevestigen.
(anders keert hij na 8 seconden automatisch weer naar de hoofdfuncties zonder iets gewijzigd te hebben)
- Om naar de functies terug te keren zonder iets te wijzigen moet u weer gedurende ongeveer 2 seconden op de **MENU** toets drukken.

DISP Display Inversie

Normale Display: display is leesbaar wanneer het toestel op de grond staat.

Omgekeerde Display: display is leesbaar wanneer het toestel ondersteboven hangt.

- Druk op de MENU toets tot **DISP** op de display weergegeven wordt. (normale display)
- Druk op de ENTER toets om te kiezen tussen **DISP** (normale display) en **DISP** (omgekeerde display).
- Na ongeveer 8 seconden wordt uw keuze automatisch bevestigd.

FADJ Focus Adjust

Deze functie helpt u bij het afstellen van de focus van de lichtstralen en gobo's.

- Druk op de MENU toets tot **FADJ** knippert op de display.
 - Druk op de ENTER toets zodat het toestel de "tilt 90°" positie inneemt.
 - Druk op de ENTER toets zodat het toestel de "pan 0°" positie inneemt.
 - Druk op de ENTER toets zodat het toestel de "pan 90°" positie inneemt.
 - Druk op de ENTER toets zodat het toestel de "pan 180°" positie inneemt.
 - Druk op de ENTER toets zodat het toestel de "pan 270°" positie inneemt
- In de vorige 5 stappen kunt u de focus instellen met de UP/DOWN toetsen (op de display wordt de focuswaarde weergegeven).
- Opgelet:** u kunt slechts een "algemene" focusinstelling maken voor de 5 posities samen, het is niet mogelijk om de focus perfect in te stellen voor elke positie.
- Druk op de MENU toets om naar de functies weer te keren.

TEST Self-Test

Wordt gebruikt om het interne "zelftest" programma in te schakelen. Alle mogelijkheden van het toestel zullen dan automatisch overlopen worden.

- Druk op de MENU toets tot **TEST** knippert op de display.
- Druk op de ENTER toets om het interne self-test programma te starten.
- Druk op de MENU toets om naar de functies weer te keren.

TEMP Temperatuur

Wordt gebruikt om de temperatuur in het lampcompartiment aan te duiden .

- Druk op de MENU toets tot **TEMP** knippert op de display.
- Druk op de ENTER toets en de temperatuur van het toestel zal getoond worden op de display .
- Druk op de MENU toets om naar de functies weer te keren.

FHS Fixture Hours

Wordt gebruikt om het aantal werkuren van het toestel weer te geven.

- Druk op de MENU toets tot **FHS** knippert op de display.
- Druk op de ENTER toets om het aantal werkuren van het toestel weer te geven op de display.
- Druk op de MENU toets om naar de functies weer te keren.

VER Software versie

Wordt gebruikt om de softwareversie welke in het toestel is geïnstalleerd te tonen op de display

- Druk op de MENU toets tot **VER** knippert op de display.
- Druk op de ENTER toets om de geïnstalleerde softwareversie te tonen op de display.
- Druk op de MENU toets om naar het menu terug te keren.

RSET Reset

Wordt gebruikt om een algemene reset van het toestel uit te voeren.

- Druk op de MENU toets tot **RSET** knippert op de display.
 - Druk op de ENTER toets om alle kanalen terug in te stellen volgens hun standaardwaarde.
 - Druk op de MENU toets om naar de functies weer te keren.
- Gelieve ook het hoofdstuk over de DMX kanaalconfiguratie van het toestel om een reset via DMX uit te voeren.

ELEKTRISCHE INSTALLATIE + ADRESSERING

Belangrijk: De elektrische installatie zou alleen uitgevoerd moeten worden door een bekwam persoon volgens de voorschriften voor elektrische en mechanische veiligheid in uw land.

Electrische installatie van 1 standalone toestel:

- Verbind gewoon de stroomkabel met het net. Het toestel start onmiddellijk op in stand-alone mode.
Opmerking1: u kunt een CA-8 remote controller aansluiten indien u een betere controle over het toestel wilt hebben. Zie "how to operate the unit".
- **Opmerking2:** indien er niets gebeurt moet u controleren of het toestel wel degelijk in master mode staat dat de black-out functie op "NO" staat (zie vorig hoofdstuk)

Electrische installatie van 2 of meer toestellen in master/slave:

- Verbind 2 tot maximum 16 toestellen met mekaar door middel van symmetrische microfoonkabels van goede kwaliteit. Het eerste toestel in de keten zal automatisch reageren als master, de andere toestellen zullen automatisch reageren als slaven.
 - Controleer of alle toestellen op het stroomnet zijn aangesloten.
 - Klaar!
- Opmerking:** u kunt een CA-8 remote controller op het 'Master' toestel aansluiten indien u een betere controle over het toestel wenst te hebben.

DMX AANSLUITINGEN

- Het DMX-protocol is een breed gebruikt hogesnelheidssignaal om lichtuitrustingen te bedienen. U moet uw DMX bediening en alle units met een gebalanceerde kabel van goede kwaliteit doorverbinden.
- Zowel de XLR-3pin als XLR-5pin connector worden gebruikt, echter de XLR-3pin is populairder want deze kabels zijn compatibel met gebalanceerde audio kabels.
Pin layout XLR-3pin: Pin1 = GND ~ Pin2 = Negatief signaal (-) ~ Pin3 = Positief signaal (+)
Pin layout XLR-5pin: Pin1 = GND ~ Pin2 = Negatief signaal (-) ~ Pin3 = Positief signaal (+) ~ Pins4+5 niet in gebruik.
- Om vreemd gedrag van de lichteffecten, veroorzaakt door storing, te voorkomen, moet u een afsluitweerstand van 90Ω tot 120Ω aan het eind van de keten gebruiken. Gebruik nooit een Y-splitkabel, dit zal eenvoudig niet werken!
- Weet zeker dat alle units op het lichtnet zijn aangesloten.
- Elk lichteffect in de keten heeft een eigen DMX startadres nodig zodat het weet welke commando's van de bediening het moet ontcijferen. In de volgende sectie zal u leren hoe het DMX adres in te stellen.





• HOE HET CORRECTE STARTADRES INSTELLEN:

In vorig hoofdstuk wordt beschreven hoe u het adres op dit toestel moet instellen (DMX-512 adres instellen). Het startadres van elk toestel is zeer belangrijk. Het is echter onmogelijk u mede te delen welk start adres u zou moeten gebruiken omdat dit volledig afhangt van de controller die u gaat gebruiken Gelieve hiervoor de handleiding van uw DMX-controller te raadplegen.

• DMX-CONFIGURATE VAN DE LYNX:

DMX512 Configuration					
Ch1	Ch2	Ch3	Ch4	Ch5	Ch6
Pan	Tilt	Strobe	Gobo	Color	Dimmer
 540°	 270°	248-255 Open 240-247 Random Strobe 232-239 Open 190-231 Fast open 182-189 slow close 140-181 Slow open 132-139 fast close 16-131 8-15 Open 0-7 Blackout	255 Rotation Fast 128 Rotation Slow 122-127 115-121 108-114 101-107 093-100 086-092 079-085 072-078 064-071 058-063 051-057 044-050 037-043 029-036 022-028 015-021 008-014 000-007	255 Rotation Fast 128 Rotation Slow 120-127 Blue 105-119 Yellow 090-104 Green 075-089 Light Blue 060-074 Orange 045-059 Pink 030-044 Light Yellow 015-029 Light Green 000-014 White	 255 100%



HOE DIT TOESTEL BEDIENEN

Telkens u het toestel aan zet zal er 'MS20' op de display verschijnen en zullen alle motoren naar hun basispositie terugkeren. Misschien zult u wat geluiden horen gedurende 20 seconden. Daarna zal het toestel klaar zijn om DMX signalen te ontvangen of om de ingebouwde programma's uit te voeren.

U kunt dit toestel op 3 manieren gebruiken:

- o Via de ingebouwde master/slave programma's
- o Via de eenvoudige CA-8 controller
- o Via een universele DMX controller

• VIA DE INGEBOUWDE MASTER/SLAVE PROGRAMMA'S:

Kies deze functie wanneer u onmiddellijk een kant-en-klare show wilt. Wanneer de toestellen via master/slave met elkaar te verbonden zijn, dan zal het eerste toestel alle andere toestellen sturen en zo

een automatische, muziekgestuurde en gesynchroniseerde show uitvoeren. Er mag niets aangesloten zijn op de DMX ingang van het eerste toestel, zijn master LED zal continu aan zijn en de sound LED zal knipperen op het ritme van de muziek.

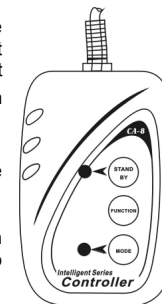
- De **MASTER** beschikt over 4 ingebouwde shows: u kunt **Sh 1** (show 1), **Sh 2** (show 2), **Sh 3** (show 3) of **Sh 4** (show 4) onmiddellijk in het menu van de master kiezen.

- De **SLAVES** beschikken over 2 opties: de andere toestellen staan als slave ingesteld (slave-LED is continu aan). Om een prachtige lichtshow te creëren kunt u gecontrasteerde bewegingen invoeren (pan/tilt van het slave toestel werkt omgekeerd) → In the menu van het slave toestel kunt u naar optie **SLA** gaan en de volgende selectie maken:

- o **SL 1** → **Normal slave**: slave werkt synchroon met de master.
- o **SL 2** → **2 light show**: slave werkt tegenovergesteld ten opzichte van de master.

• VIA DE EENVOUDIGE CA-8 CONTROLLER:

Wanneer de toestellen in Master/slave configuratie gebruikt worden raden wij u ten sterkste aan de CA-8 "Easy controller" te gebruiken. Sluit deze kleine controller aan op de 1/4" jack van de master. Zo kunt u de volgende functies van op afstand bedienen:



Stand By	Toestel in Black-out		
Function	1. Sync. Strobe 2. Two-light strobe 3. Sound Strobe	Selecteer Show 1-4	1. Press shortly: change colors 2. Press for 1sec: change gobos
Mode	Sound (LED uit)	Show (LED knippert)	LED aan

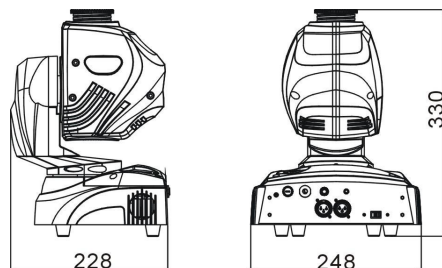
ONDERHOUD

- Overtuig U ervan dat het gebied onder de installatieplaats vrij is van ongewenste personen tijdens het onderhoud.
- Zet het toestel uit, trek de netstekker uit het stopcontact en wacht tot het toestel is afgekoeld.
- **Bij inspectie moeten de volgende punten worden gecontroleerd.**
- Alle schroeven gebruikt om het te toestel te installeren en al zijn onderdelen moeten goed vastgedraaid zijn en mogen niet verroest zijn.
- Behuizingen, vastzetstukken, installeringplaatsen (plafond, spanten, schokbrekers) mogen absoluut niet verwrongen zijn.
- Wanneer een optische lens klaarblijkelijk beschadigd is door barsten of diepe krassen, dan moet deze vervangen worden.
- De stroomkabels moeten in perfecte staat zijn en behoren vervangen te worden, wanneer er zelfs maar een klein probleem ontdekt werd.
- Om het toestel tegen oververhitting te beschermen, behoren de ventilatoren (als die er zijn) en de ventilatieopeningen elke maand gereinigd te worden.
- De binnenkant van het toestel behoort elk jaar gereinigd te worden met een stofzuiger of een luchtspuit.
- Het schoonmaken van inwendige en uitwendige optische lenzen en/of spiegels moet regelmatig worden uitgevoerd om een zo goed mogelijke lichtuitstraling te verkrijgen. Hoe vaak ze schoon moeten worden gemaakt hangt af van de omgeving waar het toestel wordt gebruikt: een klamme, rokerige of bijzonder vuile omgeving kan een grotere opeenhoping van vuil veroorzaken op de optische uitrusting.
 - Reinig met een zachte doek en gebruik normale glasreinigende producten.
 - Droog de onderdelen altijd zorgvuldig af,
 - Reinig de uitwendige optische uitrusting minstens één keer per maand.
 - Reinig de inwendige optische uitrusting minstens om de 3 maanden.

Let op: We bevelen sterk aan dat het schoonmaken van de binnenkant wordt uitgevoerd door vakbekwaam personeel!!

TECHNISCHE KENMERKEN

Netvoeding:	AC 230 V, 50 Hz
Max verbruik:	55 Watt
Geluidscontrole:	Ingebouwde microfoon
Pan/Tilt:	540°/270°
Stralingshoek:	14°
DMX verbinding:	3 pins XLR mannelijk/ vrouwelijk
Led:	1 witte LED van 20Watt
Afmetingen:	zie afbeelding
Gewicht:	4,8 kg



Elke inlichting kan veranderen zonder waarschuwing vooraf

U kunt de laatste versie van deze handleiding downloaden via Onze website: www.beglec.com

BEDIENUNGSANLEITUNG

Vielen Dank, dass Sie sich für den Erwerb dieses JB Systems®-Produkt entschieden haben. Bitte lesen sie diese Bedienungsanleitung sorgfältig vor der Inbetriebnahme durch, zur vollen Ausschöpfung der Möglichkeiten, die dieses Gerät bietet sowie, zu Ihrer eigenen Sicherheit.

EIGENSCHAFTEN

Das Gerät ist funktentstört und erfüllt die Anforderungen der europäischen und nationalen Bestimmungen. Entsprechende Dokumentation liegt beim Hersteller vor.

- Auffälliger Hightech-Moving-Head für professionelle DJs, Verleihfirmen und Discotheken
- Ausgestattet mit 20WATT LED-Technologie:
 - Sehr geringe Leistungsaufnahme (günstig für die Geldbörse!)
 - Äußerst leuchtende Farben verglichen mit Geräten mit Halogenlampen
 - Kein Leuchtentausch!
 - Praktisch keine Wärmeabgabe
 - Leichtgewichtig (keine Lampentrafos erforderlich)
- Große Lichtleistung und messerscharfe Gobos dank ausgezeichneter Optik.
- 0-100% Dimmung und ultra schnelle Strobe-Funktion
- Ausgezeichnete eingebaute Programme für herrliche, abwechslungsreiche Lichtshows:
 - DMX-Steuerung: 6 Kanäle (Pan, Tilt, Farben, Gobos, Dimmer, Strobe)
 - Standalone: musikgesteuert mit eingebautem Mikro
 - Master/Slave: wundervolle synchronisierte Shows
- 8 Gobos + open, ausgestattet mit Gobo-Shaking (Schüttel)-Funktion
- Getrenntes Farbrad (8 Farben + weiß)
- Automatische X/Y Rückstellung
- Wahlweise CA-8 Fernsteuerung erhältlich

VOR DER ERSTBENUTZUNG

- Vor der Erstbenutzung bitte das Gerät zuerst auf Transportschäden überprüfen. Sollte das Gerät einen Schaden aufweisen, Gerät bitte nicht benutzen, sondern unverzüglich mit ihrem Händler in Verbindung setzen.
- **Wichtiger Hinweis:** Das Gerät hat das Werk unbeschädigt und gut verpackt verlassen. Es ist wichtig, dass der Benutzer sich streng an die Sicherheitshinweise und Warnungen in der Bedienungsanleitung hält. Schäden durch unsachgemäße Handhabung sind von der Garantie ausgeschlossen. Der Händler übernimmt keine Verantwortung für Schäden, die durch Nichtbeachtung der Bedienungsanleitung hervorgerufen wurden.
- Die Bedienungsanleitung, für zukünftiges Nachschlagen, bitte aufbewahren. Bei Verkauf oder sonstiger Weitergabe des Gerätes, bitte Bedienungsanleitung beifügen.

Packungsinhalt prüfen:

Bitte überprüfen Sie, dass die Packung folgende Einzelteile enthält:

- Bedienungsanleitung
- LYNX Gerät
- Befestigungsbügel + 2 Schrauben

SICHERHEITSHINWEISE



CAUTION

RISK OF ELECTRIC SHOCK
DO NOT OPEN

ACHTUNG: Um sich nicht der Gefahr eines elektrischen Schlags auszusetzen, entfernen Sie keines der Gehäuseteile. Im Geräteinneren befinden sich keine vom Benutzer reparierbaren Teile. Überlassen Sie Reparaturen dem qualifizierten Kundendienst.



Das Blitzsymbol im Dreieck weist den Benutzer darauf hin, dass eine Berührungsgefahr mit nicht isolierten Teilen im Geräteinneren, die eine gefährliche Spannung führen, besteht. Die Spannung ist so hoch, dass hier die Gefahr eines elektrischen Schlages besteht.



Das Ausrufezeichen im Dreieck weist den Benutzer auf wichtige Bedienungs- und Warnungshinweise in den Dokumenten hin, die dem Gerät beiliegen.



Dieses Symbol bedeutet: Nur innerhalb von Räumen verwenden.



Dieses Symbol bedeutet: Achtung! Bedienungsanleitung lesen!



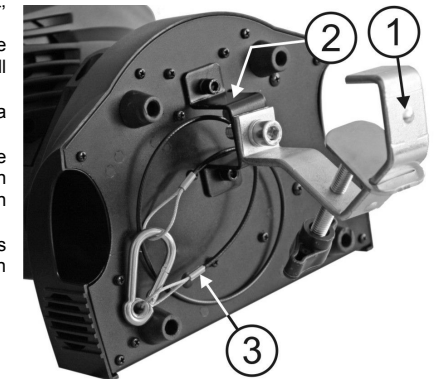
Dieses Symbol gibt an: der minimale Abstand von beleuchteten Gegenständen. Der minimale Abstand zwischen Projektor und dem belichteten Gegenstand muss mehr als 1 Meter betragen.

- Aus Umweltschutzgründen, Verpackung bitte wiederverwenden, oder richtig trennen.
- Ein neues Gerät kann Geruch oder Rauch entwickeln. Das ist völlig normal und legt sich nach einigen Minuten.
- Zur Vermeidung von Stromschlag oder Feuer, Gerät bitte nicht Regen oder Feuchtigkeit aussetzen.
- Zur Vermeidung von Kondensation im Inneren des Geräts, bitte nach Transport in eine warme Umgebung einige Zeit zum Temperatúrausgleich bringen. Kondensation kann zu Leistungsverlust des Gerätes oder gar Beschädigung führen.
- Gerät nicht im Freien und in feuchten Räumen und Umgebungen verwenden.
- Keine Metallgegenstände oder Flüssigkeiten ins Innere des Geräts gelangen lassen, Kurzschluß oder Fehlfunktion können die Folge sein. Falls es doch einmal vorkommen sollte, bitte sofort Netzstecker ziehen und vom Stromkreis trennen.
- Gerät nur in gut belüfteter Position und entfernt von entflammaren Materialien oder Flüssigkeiten betreiben. Mindestabstand an allen Seiten soll mindestens 50 cm sein.
- Ventilationsöffnungen nicht abdecken, da Überhitzungsgefahr!
- Nicht in staubiger Umgebung verwenden und regelmäßig reinigen.
- Für Kinder unerreichbar aufbewahren.
- Unerfahrene Personen sollen das Gerät nicht bedienen.
- Umgebungstemperatur darf 40°C nicht überschreiten.
- Sicherstellen, daß sich während des Auf- und Abbaus keine unbefugten Personen unterhalb des Geräts befinden.
- Stets Netzstecker ziehen, wenn Gerät für längeren Zeitraum nicht genutzt, oder es gewartet wird.
- Elektrische Anschlüsse nur durch qualifiziertes Fachpersonal überprüfen lassen.
- Sicherstellen, daß Netzspannung mit Geräteaufkleber übereinstimmt.
- Gerät nicht mit beschädigtem Netzkabel betreiben. Ist die Zugangsleitung beschädigt, muß diese durch den Hersteller, seinen Vertrieb oder durch eine Qualifizierte Person ersetzt werden.
- Netzkabel nicht mit anderen Kabeln in Berührung kommen lassen!
- Zur Einhaltung der Sicherheitsbestimmungen muß das Gerät geerdet sein.
- Gerät nicht an einen Dimmer anschließen.
- Ausschließlich vorschriftsmäßige Kabel zur Installation verwenden.
- Gerät nicht öffnen. Der sind keine zu wartenden Bauteile im Gerät enthalten.
- Sicherung **niemals** reparieren oder überbrücken, sondern **immer** mit gleichartiger Sicherung ersetzen!
- Bei Fehlfunktion, Gerät nicht benutzen und mit Händler in Verbindung setzen.
- Bei sichtbaren Beschädigungen müssen Gehäuse und Optik ersetzt werden.
- Bei Transport bitte Originalverpackung verwenden, um Schäden am Gerät zu vermeiden.
- Aus Sicherheitsgründen dürfen an dem Gerät keine unbefugten Veränderungen vorgenommen werden.

Wichtiger Hinweis: Nicht direkt in die Lichtquelle blicken! Gerät nicht verwenden, wenn sich Personen im Raum befinden, die unter Epilepsie leiden.

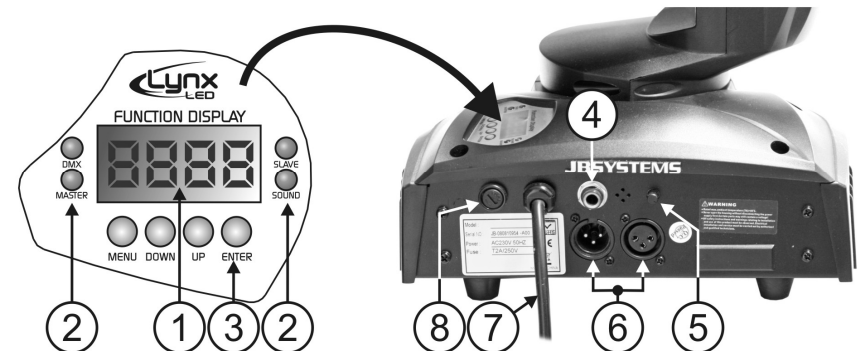
ÜBERKOPF-MONTAGE

- **Wichtig:** Montage ausschließlich durch qualifiziertes Fachpersonal durchführen lassen. Unvorschriftsmäßiger Einbau kann erhebliche Verletzungen und/oder Schäden verursachen. Überkopf-Montage verlangt entsprechende Erfahrung! Belastungsgrenzen müssen beachtet werden, geeignetes Installationsmaterial muß verwendet werden und das installierte Gerät muß in regelmäßigen Abständen überprüft werden.
- Sicherstellen, dass sich keine unbefugten Personen unterhalb des Geräts befinden, während es installiert oder gewartet wird.
- Gerät in gut belüfteter Position installieren, weit entfernt von entflammaren Materialien und/oder Flüssigkeiten. Einen Seitenabstand von **mindestens 50cm** einhalten.
- Gerät außerhalb der Reichweite von Personen, und nicht in niedrigen Durchgängen oder in der Nähe von Sitzgelegenheiten installieren.
- Vor Montage sicherstellen, dass die gewählte Position wenigstens das 10-fache Gerätegewicht aufnehmen kann.
- Benutzen Sie stets ein zulässiges Sicherheitskabel (Nummer 3 auf der Abbildung), dass das 12-fache Gerätegewicht aushalten kann. Eine zweite Sicherungsaufhängung muß angebracht werden, die ein Absacken des Geräts von mehr als 20 cm verhindert, sollte die Befestigung brechen.
- Gerät gut befestigen. Eine freischwingende Aufhängung ist gefährlich und sollte auf gar keinen Fall in Betracht gezogen werden!
- Ventilationsöffnungen nicht abdecken, da Überhitzungsgefahr!
- Betreiber muß sicherstellen, dass die sicherheitsrelevanten und technischen Installationen vor Erstbetrieb fachmännisch vorgenommen worden sind.
- Installationen sollten jährlich durch qualifiziertes Fachpersonal inspiziert werden, um jederzeit einen sicheren Betrieb zu gewährleisten.



1. Als Zubehör erhältliche Klemme
2. Spezielle Klemme (einbegriffen)
3. Als Zubehör erhältliches Sicherheitskabel

EINSTELLEN DES GERÄTS

• BEDIENFELD:

1. DISPLAY zeigt die verschiedenen Menüs sowie ausgewählte Funktionen.

2. LEDs

DMX	An	Gegenwärtig DMX Eingang
HAUPTGERÄT	An	Hauptgerät in Betrieb
UNTERGERÄT	An	Untergerät in Betrieb
TON	Blinkt	Tonsteuerung

3. TASTEN

MENÜ	Zur Auswahl der Programmfunktionen
ABWÄRTS	Zurück in den gewählten Funktionen
AUFWÄRTS	Vorwärts in den gewählten Funktionen
EINGABE	Bestätigung der gewählten Funktionen

- Eingang Fernsteuerung:** Schließen Sie die wahlweise CA-8 Fernsteuerung an der 1/4" Mikrofonbuchse zur Steuerung von Stand-by, Funktion und Modus an.
- EMPFINDLICHKEIT:** Zur Einstellung der Empfindlichkeit des Mikrofons im Einzel- oder Reihenbetrieb.
- DMX AUSGANG/EINGANG:** Zur DMX512 Verbindung der Geräte wird Verwendung qualitativ hochwertiger 3-Stift XLR M/F abgeglichenen Kabel empfohlen.
- NETZKABEL:** Überprüfen Sie die Netzspannung genauestens (muss 230V 50Hz sein), ehe Sie das Kabel anschließen!
- NETZSICHERUNG:** Ersetzen Sie die Sicherung stets durch eine gleichwertige Sicherung! (250V/2A träge)

HAUPTMENÜ:

- Zur Auswahl jeglicher voreingestellter Funktion **MENÜ**-Taste so lange drücken, bis das gewünschte Display angezeigt wird.
- Auswahl der Funktion mit **EINGABE (ENTER)**, das Display blinkt.
- Mit **ABWÄRTS** und **AUFWÄRTS** Betriebsart wählen.
- Sobald die gewünschte Betriebsart ausgewählt wurde, mit **EINGABE (ENTER)** bestätigen. Nach 8 Sekunden kehrt das Display automatisch ohne Veränderung zu den Hauptfunktionen zurück. Zurück zu den Funktionen ohne Veränderung mit **MENÜ**-Taste. Die Hauptfunktionen sind rechts abgebildet.

Addr DMX512 Einstellung Adresse
Zum Einstellen der Startadresse in DMX Einstellung.

- MENÜ-Taste drücken bis **Addr** im Display angezeigt wird.
 - EINGABE (ENTER) drücken und das Display beginnt zu blinken.
 - Mit ABWÄRTS und AUFWÄRTS die DMX512 Adresse verändern.
 - Sobald die richtige Adresse im Display angezeigt wird, mit EINGABE (ENTER) speichern (anderenfalls nach 8 Sekunden Rückkehr zu den Hauptfunktionen ohne Änderung).
- Zur Rückkehr zu den Funktionen ohne Veränderung MENÜ-Taste erneut drücken.

MENU	Addr	DMX512 Address Setting
	Sh 1	Show mode 1
	Sh 2	Show mode 2
	Sh 3	Show mode 3
	Sh 4	Show mode 4
	SL 1	Slave Mode "Normal"
	SL 2	Slave mode "2 Light Show"
	SOUn	Sound Mode on
	oFF	Sound Mode off
	bLNd	Blackout Mode "Yes Blackout"
	no	Blackout Mode "No Blackout"
	iPRn	Pan Normal
	i	Pan Inversion
	tELE	Tilt Normal
	i	Tilt Inversion
	LED	LED on
	oFF	LED off
	dISP	Normal
	iNv	Inversion
	FAdj	Focus Adjust
Self	Self-Test	
TEMP	Temperature Test	
Hours	Fixture Hours	
Ver	Software Version	
Reset	Reset	

ShNd Showbetrieb

Zur Auswahl des Showbetriebs in Einzel- oder Reihenbetrieb.

- MENU-Taste drücken bis **ShNd** im Display erscheint.
 - Dann EINGABE (ENTER) drücken und Display beginnt zu blinken.
 - Mit AUFWÄRTS und ABWÄRTS **Sh 1** (Show 1), **Sh 2** (Show 2), **Sh 3** (show 3) oder **Sh 4** (show 4) auswählen:
 - Sh 1 Show 1: Bodenmontage**, Neigungswinkel 210°.
 - Sh 2 Show 2: Deckenmontage**, Neigungswinkel 90°.
 - Sh 3 Show 3: Montage auf dem Lautsprecher**, Der Scheinwerfer ist stets auf das Publikum ausgerichtet, beispielsweise vor der Bühne. Schwenkwinkel (von links nach rechts): 160°. Neigungswinkel: 90° (60° oberhalb des Horizonts, 30° unterhalb des Horizonts)
 - Sh 4 Show 4: Montage unter der Decke**. Der Scheinwerfer projiziert hauptsächlich vor der Bühne. Schwenkwinkel (von links nach rechts): 160°. Neigungswinkel: 90° (vertikal, vorn 75°, hinten 15°)
 - Sobald die richtige Adresse im Display angezeigt wird, mit EINGABE (ENTER) speichern (anderenfalls nach 8 Sekunden Rückkehr zu den Hauptfunktionen ohne Änderung).
- Um zu den Funktionen zurückzukehren, ohne eine Änderung vorzunehmen, halten Sie die MENU Taste wieder ungefähr 2 Sekunden lang gedrückt.

SLNd Reihenbetrieb

Untergerät arbeitet entgegengesetzt oder synchron mit dem Hauptgerät.

- MENÜ-Taste drücken bis **SLNd** im Display angezeigt wird.
 - Dann EINGABE (ENTER) drücken und Display beginnt zu blinken.
 - Mit AUFWÄRTS und ABWÄRTS **SL 1** (Normal) oder **SL 2** (2 Lightshow) auswählen.
 - Sobald die richtige Modus im Display angezeigt wird, mit EINGABE (ENTER) speichern (anderenfalls nach 8 Sekunden Rückkehr zu den Hauptfunktionen ohne Änderung).
- Um zu den Funktionen zurückzukehren, ohne eine Änderung vorzunehmen, halten Sie die MENU Taste wieder ungefähr 2 Sekunden lang gedrückt.

SOUn Sound Mode (Musikmodus)

Damit das Gerät im Takt der Musik arbeitet bei Verwendung im Standalone- oder Master/Slave-Betrieb

- MENÜ-Taste drücken bis **SOUn** im Display angezeigt wird.
 - Dann EINGABE (ENTER) drücken und Display beginnt zu blinken.
 - Mit DOWN und UP **on** oder **oFF** auswählen.
 - Sobald die richtige Modus im Display angezeigt wird, mit EINGABE (ENTER) speichern (anderenfalls nach 8 Sekunden Rückkehr zu den Hauptfunktionen ohne Änderung).
- Um zu den Funktionen zurückzukehren, ohne eine Änderung vorzunehmen, halten Sie die MENU Taste wieder ungefähr 2 Sekunden lang gedrückt.

bLNd Blackout

Blackout: Wird kein DMX-Signal erkannt, geht das Gerät in Blackout und wartet auf das DMX-Signal. Kein Blackout: Wird kein DMX-Signal erkannt, schaltet das Gerät automatisch auf Einzelbetrieb um.

- MENÜ-Taste drücken bis **bLNd** im Display erscheint.
 - Dann EINGABE (ENTER) drücken und Display beginnt zu blinken.
 - Mit AUFWÄRTS und ABWÄRTS **b b0** (Blackout ein) oder **n b0** (kein Blackout) auswählen.
 - Sobald die richtige Modus im Display angezeigt wird, mit EINGABE (ENTER) speichern (anderenfalls nach 8 Sekunden Rückkehr zu den Hauptfunktionen ohne Änderung).
- Um zu den Funktionen zurückzukehren, ohne eine Änderung vorzunehmen, halten Sie die MENU Taste wieder ungefähr 2 Sekunden lang gedrückt.

1P2n **Schwenk Umkehrung**

Normal: Schwenkbewegung ist nicht umgekehrt.

Schwenk Umkehrung: Schwenkbewegung ist umgekehrt.

- MENÜ-Taste drücken bis **1P2n** im Display angezeigt wird.
- Dann EINGABE (ENTER) drücken und Display beginnt zu blinken.
- Mit AUFWÄRTS und ABWÄRTS **no** (Normal) oder **1P2n** (Schwenk Umkehrung) auswählen.
- Sobald die richtige Modus im Display angezeigt wird, mit EINGABE (ENTER) speichern (anderenfalls nach 8 Sekunden Rückkehr zu den Hauptfunktionen ohne Änderung).

Um zu den Funktionen zurückzukehren, ohne eine Änderung vorzunehmen, halten Sie die MENU Taste wieder ungefähr 2 Sekunden lang gedrückt.

1ELE **Neigung Umkehrung**

Normal: Neigungsbewegung ist nicht umgekehrt.

Neigung Umkehrung: Neigungsbewegung ist umgekehrt.

- MENÜ-Taste drücken bis **1ELE** im Display erscheint.
- Dann EINGABE (ENTER) drücken und Display beginnt zu blinken.
- Mit AUFWÄRTS und ABWÄRTS **no** (Normal) oder **1ELE** (Neigung Umkehrung) einstellen.
- Sobald die richtige Modus im Display angezeigt wird, mit EINGABE (ENTER) speichern (anderenfalls nach 8 Sekunden Rückkehr zu den Hauptfunktionen ohne Änderung).

Um zu den Funktionen zurückzukehren, ohne eine Änderung vorzunehmen, halten Sie die MENU Taste wieder ungefähr 2 Sekunden lang gedrückt.

LEd **LED Display**

Display an: Display ist ständig eingeschaltet.

Display aus: Display ist ausgeschaltet, wenn nicht in Benutzung.

- MENÜ-Taste drücken bis **LEd** im Display erscheint.
- Dann EINGABE (ENTER) drücken und Display beginnt zu blinken.
- Mit ABWÄRTS und AUFWÄRTS **on** (Display ständig eingeschaltet) oder **OFF** (Display ausgeschaltet, wenn nicht in Benutzung) auswählen.
- Sobald die richtige Modus im Display angezeigt wird, mit EINGABE (ENTER) speichern (anderenfalls nach 8 Sekunden Rückkehr zu den Hauptfunktionen ohne Änderung).

Um zu den Funktionen zurückzukehren, ohne eine Änderung vorzunehmen, halten Sie die MENU Taste wieder ungefähr 2 Sekunden lang gedrückt.

dISP **Display Inversion (Umkehr)**

Display normal: Display ist lesbar, wenn das Gerät auf dem Boden steht.

Display Inversion: Display ist lesbar, wenn das Gerät auf dem Kopf montiert wird.

- Drücken Sie die MENU Taste bis **dISP** auf dem Display erscheint. (normales Display)
- Drücken Sie die ENTER Taste um zwischen **dISP** (normales Display) und **dSPi** (Display inversion) hin und her zu wechseln.
- Nach ungefähr 8 Sekunden wird Ihre Auswahl automatisch gespeichert.

FRdU **Brennweite einstellen**

Zur Einstellung de Brennweite des Richtstrahls und der Gobos.

- MENÜ-Taste drücken bis **FRdU** im Display blinkt.
- EINGABE (ENTER) drücken, das Gerät begibt sich in 90° Neigungswinkel.
- EINGABE (ENTER) drücken, das Gerät begibt sich in Position Schwenk 0°.
- EINGABE (ENTER) drücken, das Gerät begibt sich in Position Schwenk 90°.
- EINGABE (ENTER) drücken, das Gerät begibt sich in Position Schwenk 180°.
- EINGABE (ENTER) drücken, das Gerät begibt sich in Position Schwenk 270°.

Während der vorangegangenen 5 Schritte waren Sie in der Lage, die Brennweite mit AUFWÄRTS/ABWÄRTS auf dem Gerät einzustellen (Display zeigt die gegenwärtige Brennweiten-Einstellung).

Achtung: Bitte beachten sie, dass Sie nur eine „durchschnittliche Brennweite“ für alle 5 Positionen einstellen können, eine perfekte Einstellung für jede einzelne Position ist also nicht möglich.

- Zur Rückkehr zu den Funktionen MENÜ-Taste drücken.

EEST **Selbsttest**

Zur Aktivierung des eingebauten Selbsttest-Programms, das alle Möglichkeiten des Geräts anzeigt.

- MENÜ-Taste drücken bis **EEST** im Display blinkt.
- Mit EINGABE (ENTER) Selbsttest starten.
- Zur Rückkehr zu den Funktionen MENÜ-Taste drücken.

EENP **Temperatur**

Anzeige der Temperatur im Beleuchtungskörper

- Drücken Sie MENU, bis **EENP** im Display blinkt.
- Mit ENTER wird die Temperatur im Display angezeigt.
- Rückkehr zu den Funktionen mit erneutem Tastendruck auf MENU.

Fhrs **Stundenzähler**

Zur Anzeige der Arbeitsstunden des Geräts.

- MENÜ-Taste drücken bis **Fhrs** im Display blinkt.
- Mit EINGABE (ENTER) die Arbeitsstunden im Display anzeigen.
- Zur Rückkehr zu den Funktionen MENÜ-Taste drücken.

uEr **Software Version**

Zur Anzeige der auf dem Gerät installierten Software Version

- Drücken Sie die MENU-Taste bis **uEr** auf dem Display aufblinkt.
- Drücken Sie die ENTER-Taste, um die Software Version auf dem Display anzuzeigen.
- Um zu den Funktionen zurückzukehren, drücken Sie die MENU-Taste.

rSEt **Zurückstellung**

Zur erzwungenen Rückstellung des Geräts.

- MENÜ-Taste drücken bis **rSEt** im display blinkt.
- Mit EINGABE (ENTER) alle Einstellungen in die Standardeinstellungen zurücksetzen.
- Zur Rückkehr zu den Funktionen MENÜ-Taste drücken.

Bitte lesen Sie auch im Kapitel DMX-Kanal-Konfiguration über Rückstellung in DMX nach.

ELEKTRISCHE INSTALLATION + ADRESSIERUNG

Wichtig: Die Elektroinstallation sollte nur von Fachleuten in Übereinstimmung mit den in Ihrem Land geltenden Bestimmungen für elektrische und mechanische Sicherheit ausgeführt werden.

Elektrische Installation von einem allein stehenden Gerät:

- Stecken Sie einfach das Netzkabel ein. Die Gerät fängt sofort an im allein stehenden Modus zu arbeiten
- Anmerkung 1:** Sie können einen Fernsteuerungscontroller CA-8 an das Gerät anschließen, wenn Sie zusätzliche Steuerungsfunktionen haben möchten. In Abschnitt „Bedienen des Geräts“ erfahren Sie mehr darüber.

Anmerkung 2: Sollte kein Ausgang vorhanden sein, stellen Sie sicher, dass das Gerät im Master-Modus eingestellt ist und setzen sie den Blackout Modus mode auf "NO" (siehe vorangehendes Kapitel)

Elektrische Installation für zwei oder mehrere Geräte im Master/Slave-Modus:

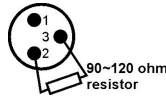


- Schließen Sie 2 bis max. 16 Geräte mit hochwertig abgeschirmten Mikrofonkabeln an.
- Vergewissern Sie sich, dass alle Geräte an die Netzleitung angeschlossen wurden.
- Fertig!

Anmerkung: Sie können einen Fernsteuerungscontroller CA-8 an das Gerät anschließen, wenn Sie zusätzliche Steuerungsfunktionen haben möchten.

Elektroinstallation im DMX-Modus:

- Das DMX-Protokoll ist ein gängiges Hochgeschwindigkeitssignal, um intelligente Lichtsysteme zu steuern. Sie müssen Ihren DMX-Controller und alle angeschlossenen Geräte mit einem hochwertigen symmetrischen Audiokabel hintereinander schalten (daisy chain).
- Es werden sowohl XLR-3pin als auch XLR-5pin-Stecker benutzt, allerdings ist der XLR-3pin gängiger, da diese Kabel mit symmetrischen Audiokabel kompatibel sind. Stifanordnung XLR-3pin: Pin1 = GND ~ Pin2 = Negatives Signal (-) ~ Pin3 = Positives Signal (+) Stifanordnung XLR-5pin: Pin1 = GND ~ Pin2 = Negatives Signal (-) ~ Pin3 = Positives Signal (+) ~ Pins4+5 nicht benutzt.
- Um durch Interferenzen verursachte Fehlfunktionen der Lichteffekte zu vermeiden, müssen Sie einen 90Ω bis 120Ω Abschlusswiderstand am Ende der Kette einsetzen. Verwenden Sie niemals Y-Splitter Kabel, das funktioniert nicht!
- Stellen Sie sicher, dass alle Geräte an das Netz angeschlossen sind.



EINSTELLEN DER RICHTIGEN STARTADRESSE:

Bitte im vorherigen Kapitel (DMX-512 Adresse einstellen) nachlesen, wie die Startadresse eingestellt wird. Die Startadresse jedes einzelnen Geräts ist ausgesprochen wichtig. Unglücklicherweise ist es unmöglich, Ihnen in dieser Bedienungsanleitung zu erklären, welche Startadresse Sie einzustellen haben. Das hängt vollständig von dem verwandten Controller ab... Also, bitte lesen Sie in der Bedienungsanleitung Ihres DMX Controllers nach, wie die Startadresse einzustellen ist.

DMX-KONFIGURATION LYNX:

DMX512 Configuration					
Ch1	Ch2	Ch3	Ch4	Ch5	Ch6
Pan	Tilt	Strobe	Gobo	Color	Dimmer
540°	270°	248-255 Open 240-247 Random Strobe 232-239 Open 190-231 Fast open slow close 182-189 Open 140-181 Slow open fast close 132-139 Open 16-131 8-15 Open 0-7 Blackout	255 Rotation Fast 128 Rotation Slow 122-127 115-121 108-114 101-107 093-100 086-092 079-085 072-078 064-071 058-063 051-057 044-050 037-043 029-036 022-028 015-021 008-014 000-007	255 Rotation Fast 128 Rotation Slow 120-127 Blue 105-119 Yellow 090-104 Green 075-089 Light Blue 060-074 Orange 045-059 Pink 030-044 Light Yellow 015-029 Light Green 000-014 White	255 100% 0 0%

BEDIENUNG DES GERÄTS

Bei jedem Einschalten wird auf dem Display "MS20" angezeigt und sämtliche Motoren begeben sich in Ausgangsstellung. Für etwa 20 Sekunden hören Sie einige Betriebsgeräusche. Danach ist das Gerät betriebsbereit und kann DMX-Signale empfangen oder die eingebauten Programme abspielen.

Sie können das Gerät auf 3 verschiedene Weisen bedienen:

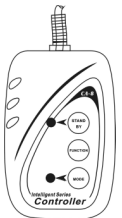
- Als Haupt-/Untergerät mit eingebauten, vorprogrammierten Funktionen
- Mit Easy Controller
- Mit Universal DMX Controller

ALS HAUPT-/UNTERGERÄT MIT EINGEBAUTEN, VORPROGRAMMIERTEN FUNKTIONEN:

Auswahl dieser Funktion, falls Sie eine unverzügliche Show ablaufen lassen wollen. Durch Verbindung der Geräte in Haupt-/Untergeräte steuert das erste Gerät die nachfolgenden Geräte und erzeugt eine automatische, tongesteuerte, synchronisierte Lightshow. Am DMX Eingang ist nichts angeschlossen, die Master-LED ist ständig an und die Sound-LED blinkt synchron mit der Musik.

Wichtiger Hinweis! Diese Funktion arbeitet nur, wenn Betriebsart Blackout im Menü des Hauptgeräts AUSgeschaltet ist, anderenfalls passiert gar nichts! Mehr dazu bitte im Kapitel „Hauptmenü“ nachlesen.

- **HAUPTGERÄT hat 4 eingebaute Shows:** Sie können **Sh 1** (Show 1), **Sh 2** (Show 2), **Sh 3** (show 3) oder **Sh 4** (show 4) direkt im Menü des Hauptgeräts auswählen.
- **UNTERGERÄTE haben 2 Betriebsoptionen:** Die weiteren Geräte sind auf Betriebsart Untergerät eingestellt (Untergerät-LED ist ständig an). Um eine großartige Lightshow zu kreieren, können Sie Kontrastbewegungen einführen (Schwenk/Neigung des Untergeräts ist umgekehrt) → im Menü der Untergeräte zu Option **SLD** gehen und auswählen:
 - **SL 1** → **Normal Untergerät:** Untergerät arbeitet synchron mit Hauptgerät.
 - **SL 2** → **2 Lightshow:** Untergerät arbeitet umgekehrt vom Hauptgerät.



MIT EASY CONTROLLER:

Bei Verwendung in Betriebsart Haupt-/Untergerät empfehlen wir dringend die Verwendung unseres CA-8 „Easy Controller“. Diesen kleinen Controller einfach an der 1/4" Buchse des Hauptgeräts anschließen und dann folgende **Funktionen** steuern:

Stand By	Blackout des Geräts		
Function	1. Sync. Strobe 2. Doppellicht-Strobe 3. Musik-Strobe	Wählen Sie Show 1-4	1. Drücken Sie kurz: Farben wechseln 2. Drücken Sie 1 Sek. lang: Gobos wechseln
Mode	Musik (LED OFF)	Show (LED blinkt)	LED an

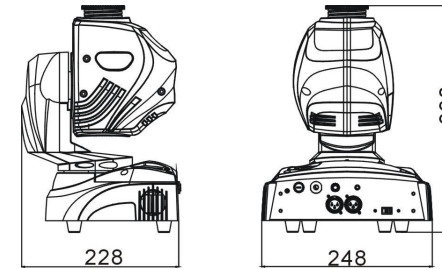
WARTUNG UND INSTANDHALTUNG

- Sicherstellen, dass sich keine unbefugten Personen unterhalb des Geräts befinden, während es gewartet wird.
- Gerät ausschalten, Netzstecker ziehen und warten, bis es sich abgekühlt hat.
- **Während der Wartung sind folgende Punkte ganz besonders zu beachten:**
- Sämtliche Schrauben zur Installation und Befestigung jeglicher Teile müssen fest angezogen und rostfrei sein.
- Gehäuse, Befestigungsmaterialien und Aufhängungen (Decke, Balken, abgehängte Decken) dürfen keine Anzeichen von Verformung zeigen.
- Ist die Optik sichtbar beschädigt (Sprünge oder tiefe Kratzer), dann müssen die entsprechenden Teile ausgetauscht werden.
- Netzkabel muß stets in einwandfreiem Zustand sein und selbst bei kleinsten Beschädigungen erneuert werden.
- Zur Vermeidung von Überhitzung müssen die Ventilatoren (sofern vorhanden) und Lüftungsschlitze monatlich gereinigt werden.
- Gerät innen mindestens einmal pro Jahr mit Staubsauger oder Airjet reinigen.
- Reinigung der inneren und äußeren optischen Linsen und/oder Spiegel müssen in regelmäßigen Abständen zur Beibehaltung einer optimalen Lichtausbeute vorgenommen werden. Reinigungsintervalle hängen stark von der Umgebung ab: feuchte, verrauchte und besonders verschmutzte Umgebung führen zu größerer Verschmutzung auf den Linsen.
 - Mit weichem Tuch und gewöhnlichem Glasreiniger säubern.
 - Alle Teile stets gut abtrocknen.
 - Äußere Optik mindestens alle 30 Tage säubern.
 - Innere Optik mindestens alle 90 Tage säubern.

Achtung: Wir empfehlen dringend, **Reinigung im Innern des Geräts nur von qualifiziertem Personal durchführen zu lassen!**

TECHNISCHE EINZELHEITEN

Netzspannung:	AC 230V, 50Hz
Max. Leistungsaufnahme:	55 Watt
Klangregler:	Eingebautes Mikrofon
Pan/Tilt:	540°/270°
Abstrahlwinkel:	14°
DMX Anschlüsse:	3-pin XLR Stecker/Buchse
Led	1 weiße LED 20Watt
Abmessungen:	Siehe Zeichnung
Gewicht:	4,8 kg



Technische Änderungen können auch ohne Vorankündigung vorgenommen werden!
 Sie können sich die neueste Version dieses Benutzerhandbuches von unserer Website herunterladen: www.beglec.com

MANUAL DE FUNCIONAMIENTO

Gracias por comprar este producto JB Systems®. Para sacar el máximo rendimiento a sus posibilidades y por su propia seguridad, lea estas instrucciones de funcionamiento detenidamente antes de comenzar a utilizar esta unidad.

CARACTERÍSTICAS

Esta unidad está a prueba de interferencias de radio. Este producto cumple los requisitos de las directrices nacionales y europeas actuales. Se ha establecido la conformidad y las instrucciones y documentos correspondientes han sido depositados por el fabricante.

- Atractiva cabeza móvil de alta tecnología para DJs profesionales, compañías de alquiler y discotecas
- Se basa en tecnología LED de 20 vatios:
 - Bajo consumo de energía (económico)
 - Colores muy brillantes en comparación con los efectos de lámparas halógenas
 - No hay que sustituir las lámparas
 - Casi no produce calor
 - Peso ligero (no necesita transformadores de lámpara)
- Óptica excelente para gobos bien definidos y gran emisión luminosa
- Regulación de intensidad luminosa 0-100% y función estroboscópica ultra rápida
- Excelentes programas incorporados para espectáculos de luces maravillosos en constante cambio:
 - Control DMX: 6 canales (panorámica, inclinación, colores, gobos, regulador de intensidad luminosa, efectos estroboscópicos)
 - Independiente: se activa por sonido con micrófono interno
 - Maestro/esclavo: espectáculos perfectamente sincronizados
- 8 gobos + abierto, equipado con opción de sacudida de gobos
- Rueda de color independiente (8 colores + blanco)
- Reposicionamiento X/Y automático
- Controlador remoto CA-8 opcional disponible

ANTES DE UTILIZAR EL APARATO

- Antes de comenzar a utilizar esta unidad, compruebe que no haya habido daños durante el transporte. Si observa algún daño, no utilice el dispositivo y consulte primero a su distribuidor.
- **Importante:** Este dispositivo a salido de nuestras instalaciones en perfecto estado y bien embalado. Es absolutamente necesario que el usuario siga estrictamente estas instrucciones y advertencias de seguridad que aparecen en este manual de usuario. Cualquier daño producido por un manejo innecesario queda excluido de la garantía. El distribuidor no asumirá ninguna responsabilidad por cualquier defecto o problema que surja por no haber seguido el manual de usuario.
- Guarde este folleto en un lugar seguro para consultarlo en el futuro. Si vende este aparato más adelante, asegúrese de incluir este manual de usuario.

Compruebe el contenido:

Compruebe que la caja contiene los siguientes elementos:

- Instrucciones de funcionamiento
- Unidad LYNX
- 1 Soport de abrazadera + 2 pernos

INSTRUCCIONES DE SEGURIDAD:



CAUTION
RISK OF ELECTRIC SHOCK
DO NOT OPEN



PRECAUCIÓN: Para reducir el riesgo de electrocución, no quite la cubierta superior. Ninguna pieza usable adentro para el utilizador. Dirijase únicamente a personal cualificado.



El símbolo de un rayo en el interior de un triángulo alerta sobre la presencia o el uso de elementos no aislados donde un voltaje peligroso constituye un riesgo grande para causar una eventual electrocución.



El punto de exclamación en el interior de un triángulo alerta al usuario sobre la presencia de importantes instrucciones de operación y de mantenimiento tenidas en cuenta en el manual de uso.



Este símbolo significa : uso para el interior solamente.



Este símbolo significa : Lea las instrucciones.



Este símbolo se determina: la distancia mínima de objetos iluminado. La distancia mínima entre el proyector y el objeto iluminado debe ser más de 1 metro.

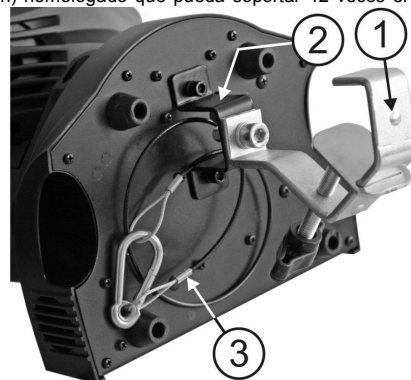
- Afin de evitar todo riesgo de incendio o electrocución, no exponer el aparato a la lluvia o ambiente húmedo.
- Un nuevo efecto de luz algunas veces causa algún olor y/o humo no deseados. Esto es normal y desaparece después de algunos minutos.
- Para evitar fuego o riesgos de descargas no exponga este aparato a la lluvia o humedad.
- Para evitar que se forme condensación en el interior, permita que la unidad se adapte a las temperaturas circundantes cuando la lleve a una habitación cálida después de transporte. Condensación algunas veces impide que la unidad funcione a rendimiento pleno o puede incluso causar daños.
- Esta unidad es sólo para uso interior.
- No coloque objetos metálicos o derrame líquidos dentro de la unidad. Podría resultar descarga eléctrica o mal funcionamiento. Si un objeto extraño entrara en la unidad, desconecte inmediatamente la fuente de alimentación.
- Coloque la instalación en un lugar bien ventilado, alejado de cualquier material inflamable y/o líquidos. La instalación debe ser fijada al menos a 50 cm. de distancia de los muros circundantes.
- No cubra ninguna apertura de ventilación ya que esto podría resultar en sobrecalentamiento.
- Evite su uso en ambientes polvorientos y limpie la unidad regularmente.
- Mantenga la unidad alejada de los niños.
- Personas sin experiencia no deberían manejar este aparato.
- La temperatura máxima de ambiente es 40°C. No use esta unidad a temperaturas más elevadas.
- Asegúrese de que el área por debajo del sitio de instalación está libre de personas ajenas durante el montaje, desmontaje y reparación.
- Siempre desenchufe la unidad cuando no la use por un periodo de tiempo largo o comenzar una reparación.
- La instalación eléctrica debería ser llevada a cabo sólo por personal cualificado, acorde a las regulaciones para seguridad eléctrica y mecánica de su país.
- Compruebe que el voltaje disponible no es superior al que aparece en el panel trasero de la unidad.
- El cable de alimentación debería estar siempre en perfectas condiciones: apague el aparato inmediatamente cuando el cable de alimentación esté roto o dañado. Debe ser substituido por el fabricante, su servicio técnico o otra persona cualificada.
- ¡Nunca deje el cable de alimentación entrar en contacto con otros cables!
- Esta instalación debe ser conectada a tierra para cumplir con las regulaciones de seguridad.
- No conecte la unidad a ningún paquete de reducción de luz.
- Siempre use un cable de seguridad apropiado y certificado cuando instale la unidad.
- Para prevenir descargas eléctricas, no abra la tapa. No hay partes que puedan ser reparadas por el usuario en su interior.
- **Nunca** repare un fusible o haga un bypass al fusible. **¡Siempre** sustituya el fusible dañado por un fusible del mismo tipo y especificaciones eléctricas!
- En el caso de problemas serios de manejo, deje de usar la instalación y contacte con su vendedor inmediatamente.
- La carcasa y las lentes deben ser cambiadas si hay daño visible.

- Por favor, use el empaquetado original cuando el aparato deba ser transportado.
- Debido a motivos de seguridad está prohibido hacer modificaciones sin autorizar a la unidad.

Importante: ¡Nunca mire directamente a la fuente de luz! No use el efecto en presencia de personas que sufran de epilepsia.

MONTAJE SUPERIOR

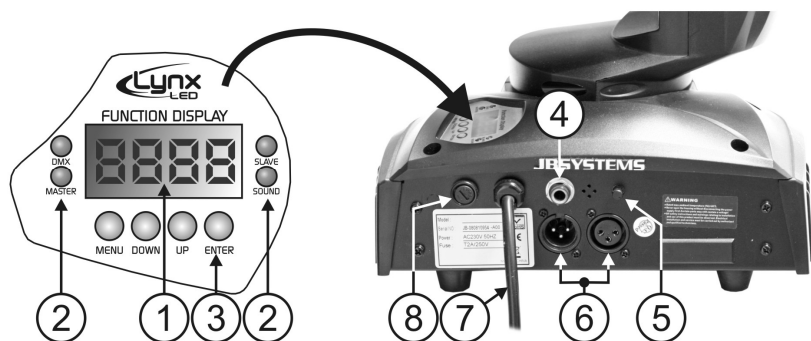
- **Importante:** La instalación sólo debe llevarse a cabo por personal técnico cualificado. Una instalación incorrecta puede provocar lesiones graves y/o daños en la propiedad. ¡El montaje superior requiere mucha experiencia! Deben respetarse los límites de carga de funcionamiento, deben utilizarse materiales de instalación homologados, el dispositivo instalado debe inspeccionarse regularmente por su seguridad.
- Asegúrese de que debajo del área del lugar de instalación no hay personas durante el montaje, desmontaje o mantenimiento.
- Coloque el aparato en un lugar bien ventilado, lejos de materiales y/o líquidos inflamables. El aparato debe colocarse a al menos 50 cm de las paredes.
- El dispositivo debe instalarse lejos del alcance de las personas y de las áreas exteriores donde éstas puedan andar o sentarse.
- Antes del montaje asegúrese de que el área de la instalación puede soportar una carga mínima de 10 veces el peso de la unidad.
- Utilice siempre un cable de seguridad (N° 3 en la imagen) homologado que pueda soportar 12 veces el peso del dispositivo cuando instale la unidad. Este accesorio de seguridad secundario debe instalarse de forma que ninguna pieza de la instalación pueda caerse más de 20 cm si falla el accesorio principal.
- El dispositivo debe fijarse correctamente; ¡un montaje con giro libre es peligroso y no debe considerarse!
- No cubra ninguna abertura de ventilación puesto que podría producirse un sobrecalentamiento de la unidad.
- El operario debe asegurarse de que las instalaciones relacionadas con la seguridad son aprobadas por un experto antes de utilizarlas por primera vez. Las instalaciones deberán inspeccionarse anualmente por una persona cualificada para asegurar que la seguridad es óptima.



1. Garra opcional
2. Adaptador especial (incluido)
3. Cable opcional de seguridad

CONFIGURACIÓN DE LA UNIDAD

PANEL DE CONTROL:



1. **DISPLAY** muestra los varios menús y las opciones seleccionadas.
2. **LEDs**

DMX	Fijo	Entrada DMX presente
MASTER	Fijo	Modalidad maestra
SLAVE	Fijo	Modalidad esclava
SOUND	Parpadeando	Activación de sonido

3. **Botones**

MENU	Para seleccionar las funciones de programación
DOWN	Para ir hacia atrás en las funciones seleccionadas
UP	Para ir hacia delante en las funciones seleccionadas
ENTER	Para confirmar las funciones seleccionadas

4. **ENTRADA DE CONTROL REMOTO:** Se utiliza para conectar un controlador manual CA-8 sencillo cuando la unidad se utiliza en modalidad independiente o maestra/esclava.
5. **SENSIBILIDAD:** Se utiliza para ajustar la sensibilidad del micrófono cuando la unidad se utiliza en modalidad independiente o maestra/esclava.
6. **ENTRADA/SALIDA DMX:** Se utiliza para unión DMX512. Utilice un cable XLR equilibrado de 3 clavijas M/H de buena calidad para unir las unidades.
7. **CABLE DE ALIMENTACIÓN:** compruebe la tensión de red (debe ser de 230V 50Hz) antes de insertar el cable!
8. **FUSIBLE DE RED:** Sustituya siempre el fusible fundido por un fusible de las mismas características. (250V/2A lento)

MENÚ PRINCIPAL:

- Para seleccionar cualquiera de las funciones preestablecidas, pulse el botón **MENU** hasta que aparezca en pantalla la opción que desee.
- Seleccione la función con el botón **ENTER**. La pantalla parpadeará.
- Utilice los botones **DOWN** y **UP** para cambiar la modalidad.
- Una vez que haya seleccionado la modalidad necesaria, pulse el botón **ENTER** para seleccionar. Después de 8 segundos la pantalla volverá automáticamente a las funciones principales sin ningún cambio. Para volver a las funciones sin hacer cambios pulse el botón **MENU** durante unos 2 segundos. Las funciones principales se muestran a la derecha.

Addr	512	DMX512 Address Setting
Shnd	Sh 1	Show mode 1
	Sh 2	Show mode 2
	Sh 3	Show mode 3
	Sh 4	Show mode 4
SLND	SL 1	Slave Mode " Normal "
	SL 2	Slave mode " 2 Light Show "
SOUN	on	Sound Mode on
	off	Sound Mode off
BLND	YES	Blackout Mode " Yes Blackout "
	no	Blackout Mode " No Blackout "
MENU	IPAN	Pan Normal
	i	Pan Inversion
TILT	no	Tilt Normal
	i	Tilt Inversion
LED	on	LED on
	off	LED off
DISP	DISP	Normal
	DISIP	Inversion
FRAdj		Focus Adjust
TEST		Self-Test
TEMP		Temperature Test
Hours		Fixture Hours
VER		Software Version
RESET		Reset

Addr Ajuste de la dirección

DMX512 Se utiliza para ajustar la dirección de inicio en una configuración DMX.

- Pulse el botón **MENU** **Addr** hasta que se muestre en la pantalla.
- Pulse el botón **ENTER**, la pantalla comienza a parpadear.
- Utilice los botones **DOWN** y **UP** para cambiar la dirección DMX512.
- Una vez que se muestre la dirección correcta en pantalla, pulse el botón **ENTER** para guardarla.

(o volver automáticamente a las funciones principales sin hacer ningún cambio tras 8 segundos) Para volver a las funciones sin hacer cambios pulse el botón **MENU** de nuevo durante unos 2 segundos.

**Modalidad Espectáculo**

Se utiliza para seleccionar la modalidad Espectáculo cuando se utiliza de forma independiente o en modalidad maestra/esclava.

- Pulse el botón MENU hasta que se muestre en la pantalla.
 - Pulse el botón ENTER, la pantalla comienza a parpadear.
 - Utilice los botones DOWN y UP para seleccionar las modalidades:
 - Modalidad Espectáculo 1 - El aparato se coloca en el suelo. Ángulo de movimiento de inclinación 210°.
 - Modalidad Espectáculo 2 - El aparato se fija **debajo del techo**. Ángulo de movimiento de inclinación 90°.
 - Modalidad Espectáculo 3 - El aparato se coloca en un podio, delante de los espectadores. El foco siempre se proyecta en dirección en la dirección de la audiencia; p.ej. delante del escenario. Ángulo de movimiento panorámico (de izquierda a derecha a izquierda): 160°. Ángulo de movimiento de inclinación: 90° (60° por encima del horizonte; 30° por debajo del horizonte.)
 - Modalidad Espectáculo 4 - El aparato se fija **debajo del techo**. El foco se proyecta principalmente delante del escenario. Ángulo de movimiento panorámico (izquierda a derecha a izquierda) :160°. Ángulo de movimiento de inclinación: 90° (vertical, frontal 75°; trasero 15°)
 - Una vez que se muestre la modalidad correcta en pantalla, pulse el botón ENTER para guardarla. (o volver automáticamente a las funciones principales sin hacer ningún cambio tras 8 segundos)
- Para volver a las funciones sin hacer cambios pulse el botón MENU de nuevo durante unos 2 segundos.

**Modalidad esclava**

Se utiliza para hacer que la unidad esclava funcione de manera opuesta a la maestra o en total sincronización.

- Pulse el botón MENU hasta que se muestre en la pantalla.
 - Pulse el botón ENTER, la pantalla comienza a parpadear.
 - Utilice el botón DOWN y UP para seleccionar entre las modalidades (normal) o (Espectáculo de 2 luces).
 - Una vez que haya seleccionado la modalidad, pulse el botón ENTER para guardarla. (o volver automáticamente a las funciones principales sin hacer ningún cambio tras 8 segundos)
- Para volver a las funciones sin hacer cambios pulse el botón MENU de nuevo durante unos 2 segundos.

**Sound Mode**

Se utiliza solo para hacer funcionar la unidad al ritmo de la música y también en modo maestro/esclavo

- Pulse el botón MENU hasta que se muestre en la pantalla.
 - Pulse el botón ENTER, la pantalla comienza a parpadear.
 - Utilice el botón DOWN y UP para seleccionar entre las modalidades o .
 - Una vez que haya seleccionado la modalidad, pulse el botón ENTER para guardarla. (o volver automáticamente a las funciones principales sin hacer ningún cambio tras 8 segundos)
- Para volver a las funciones sin hacer cambios pulse el botón MENU de nuevo durante unos 2 segundos.

**Modalidad Oscurecimiento**

Modalidad Oscurecimiento: cuando no se detecta ninguna señal DMX, la unidad entra en modalidad Oscurecimiento y espera a la señal DMX.

Sin modalidad Oscurecimiento: cuando no se detecta ninguna señal DMX, la unidad pasa automáticamente a modalidad independiente.

- Pulse el botón MENU hasta que se muestre en la pantalla.
 - Pulse el botón ENTER, la pantalla comienza a parpadear.
 - Utilice el botón DOWN y UP para seleccionar la modalidad (oscurecimiento si) o (oscurecimiento no).
 - Una vez que haya seleccionado la modalidad, pulse el botón ENTER para guardarla. (o volver automáticamente a las funciones principales sin hacer ningún cambio tras 8 segundos)
- Para volver a las funciones sin hacer cambios pulse el botón MENU de nuevo durante unos 2 segundos.

**Inversión panorámica**

Normal: El movimiento panorámico no se invierte.

Inversión panorámica: El movimiento panorámico se invierte.

- Pulse el botón MENU hasta que se muestre en la pantalla.
 - Pulse el botón ENTER, la pantalla comienza a parpadear.
 - Utilice el botón DOWN y UP para seleccionar la modalidad (normal) o (inversión panorámica).
 - Una vez que haya seleccionado la modalidad, pulse el botón ENTER para guardarla. (o volver automáticamente a las funciones principales sin hacer ningún cambio tras 8 segundos)
- Para volver a las funciones sin hacer cambios pulse el botón MENU de nuevo durante unos 2 segundos.

**Inversión de inclinación**

Normal: El movimiento de inclinación no se invierte.

Inversión de inclinación: El movimiento de inclinación se invierte.

- Pulse el botón MENU hasta que se muestre en la pantalla.
 - Pulse el botón ENTER, la pantalla comienza a parpadear.
 - Utilice el botón DOWN y UP para seleccionar la modalidad (normal) o (inversión de inclinación).
 - Una vez que haya seleccionado la modalidad, pulse el botón ENTER para guardarla. (o volver automáticamente a las funciones principales sin hacer ningún cambio tras 8 segundos)
- Para volver a las funciones sin hacer cambios pulse el botón MENU de nuevo durante unos 2 segundos.

**Pantalla de LED**

Pantalla encendida: la pantalla siempre está encendida.

Pantalla apagada: la pantalla está apagada cuando no se utiliza.

- Pulse el botón MENU hasta que la pantalla muestre .
 - Pulse el botón ENTER, la pantalla comienza a parpadear.
 - Utilice los botones DOWN y UP para seleccionar (pantalla siempre encendida) o (pantalla apagada cuando no se utiliza).
 - Una vez que haya seleccionado la modalidad, pulse el botón ENTER para guardarla. (o volver automáticamente a las funciones principales sin hacer ningún cambio tras 8 segundos)
- Para volver a las funciones sin hacer cambios pulse el botón MENU de nuevo durante unos 2 segundos.

**Inversión de pantalla**

Pantalla normal: la pantalla se puede leer cuando la unidad está en el suelo.

Inversión de pantalla: la pantalla se puede leer cuando la unidad está montada al revés.

- Pulse el botón MENU hasta que se muestre en la pantalla * (pantalla normal)
- Pulse el botón ENTER para cambiar entre * (pantalla normal) y * (inversión de pantalla).
- Después de 8 segundos su elección se guardará automáticamente.

**Ajuste de enfoque**

Se utiliza para ayudarle a ajustar el enfoque del haz de luz y gobos.

- Pulse el botón MENU hasta que parpadee en la pantalla.
 - Pulse el botón ENTER para que la unidad vaya a la posición "inclinación 90°".
 - Pulse el botón ENTER para que la unidad vaya a la posición "panorámica 0°".
 - Pulse el botón ENTER para que la unidad vaya a la posición "panorámica 90°".
 - Pulse el botón ENTER para que la unidad vaya a la posición "panorámica 180°".
 - Pulse el botón ENTER para que la unidad vaya a la posición "panorámica 270°".
- En los 5 pasos anteriores podrá ajustar el enfoque con los botones UP/DOWN en la unidad (la pantalla muestra el estado en enfoque actual).
- Atención:** tenga en cuenta que sólo puede ajustar un "enfoque medio" para las 5 posiciones, por lo que no es posible ajustar el enfoque perfectamente nítido para todas las direcciones.
- Para volver a las funciones pulse el botón MENU.

EESE Autodiagnóstico

Se utiliza para activar un programa de "autodiagnóstico" que muestra todas las posibilidades de la unidad.

- Pulse el botón MENU **EESE** hasta que parpadee en la pantalla.
- Pulse el botón ENTER para iniciar el programa de autodiagnóstico interno.
- Para volver a las funciones pulse el botón MENU.

EEPP Temperatura

Se utiliza para mostrar la temperatura dentro del compartimento de la lámpara

- Pulse el botón MENU hasta que el signo **EEPP** parpadee en la pantalla.
- Pulse el botón ENTER y la temperatura se mostrará en la pantalla.
- Para volver a las funciones pulse el botón MENU otra vez.

EHRS Horas del aparato

Se utiliza para mostrar el número de horas de funcionamiento de la unidad.

- Pulse el botón MENU **EHRS** hasta que parpadee en la pantalla.
- Pulse el botón ENTER para mostrar el número de horas de funcionamiento en la pantalla.
- Para volver a las funciones pulse el botón MENU.

UEFR Software version

Se utiliza para comprobar la versión de software que lleva la unidad

- Pulsar el botón MENU hasta que **UEFR** parpadee en el display.
- Pulsar el botón ENTER para mostrar la versión de software en el display.
- Para volver a las funciones presionar el botón de MENU.

ESSE Restaurar

Se utiliza para restaurar la unidad.

- Pulse el botón MENU **ESSE** hasta que parpadee en la pantalla.
- Pulse ENTER para restaurar todos los canales a su posición estándar.
- Para volver a las funciones pulse el botón MENU.

Compruebe también el capítulo sobre la configuración del canal DMX de la unidad para saber cómo forzar una restauración mediante DMX.

INSTALACIÓN ELÉCTRICA + DIRECCIONAMIENTO

! Importante: La instalación eléctrica sólo debe ser llevada a cabo por personal cualificado, de acuerdo con la regulaciones sobre seguridad eléctrica y mecánica de su país.

Instalación eléctrica para 1 unidad independiente:

- Inserte el cable de red eléctrica. La unidad comienza a funcionar instantáneamente en modalidad independiente.

Observación 1: Puede conectar un controlador CA-8 remoto a la unidad si desea disponer de más control. Consulte "Manejo de la unidad" para saber cómo hacerlo.

Observación 2: Si no hay emisión, asegúrese de establecer la unidad en modo maestro y seleccione el modo blackout en "NO" (consulte el capítulo anterior)

Instalación eléctrica de una o más unidades en modalidad maestra/eslava:



- Conecte de 2 a un máximo de 16 unidades juntas mediante cables de micrófono equilibrados de buena

calidad. La primera unidad en la cadena se comportará como el maestro (master), las otras unidades actuarán automáticamente como esclavos (slaves).

- Asegúrese de que todas las unidades están conectadas a la red eléctrica.
- ¡Ya está!

Observación: Puede conectar un controlador CA-8 remoto a la unidad maestra si desea disponer de más control sobre el funcionamiento maestro/esclavo.

Instalación eléctrica en modo DMX:

- El protocolo DMX es una señal de alta velocidad muy utilizada para controlar equipo de iluminación inteligente. Necesita conectar en cadena tipo margarita su controlador DMX y todas las unidades conectadas con un cable equilibrado de buena calidad.

- Se utilizan conectores XLR de 3 pines y conectores XLR de 5 pines, no obstante, el conector XLR de 3 pines es más popular porque estos cables son compatibles con los cables de audio equilibrados.

Disposición de pines en el conector XLR de 3 pines: Pin1 = GND ~ Pin2 = Señal negativa (-) ~ Pin3 = Señal positiva (+)

Disposición de pines en el conector XLR de 5 pines: Pin1 = GND ~ Pin2 = Señal negativa (-) ~ Pin3 = Señal positiva (+) ~ Pines4+5 no se utilizan.

- Para evitar un comportamiento anómalo de los efectos luminosos, debido a interferencias, debe utilizar un terminador de 90Ω a 120Ω al final de la cadena. Nunca utilice cables divisores en Y, ¡No funcionarán!



- Asegúrese de que todas las unidades están conectadas a la red eléctrica.

- Cada efecto luminoso en la cadena necesita disponer de su propia dirección de inicio de forma que sepa qué comando del controlador debe descodificar. En la siguiente sección obtendrá información sobre cómo establecer las direcciones DMX.



AJUSTE DE LA DIRECCIÓN DE INICIO CORRECTA:

Consulte el capítulo anterior (ajuste de dirección DMX-512) para saber cómo ajustar la dirección de inicio en esta unidad. La dirección de inicio de cada unidad es muy importante. Lamentablemente es imposible decirle en este manual de usuario qué dirección de inicio debe ajustar porque esto dependerá completamente del controlador que utilice... Consulte el manual de usuario de su controlador DMX para saber que direcciones de inicio debe ajustar.

CONFIGURACIÓN DMX DE LYNX:

DMX512 Configuration					
Ch1	Ch2	Ch3	Ch4	Ch5	Ch6
Pan	Tilt	Strobe	Gobo	Color	Dimmer
		248-255 Open 240-247 Random Strobe 232-239 Open	255 Rotation Fast 	255 Rotation Fast 	255 100%
540° 	270° 	190-231 Fast open slow close 182-189 Open	128 Rotation Slow 122-127	128 Rotation Slow 	
270° 	135° 	140-181 Slow open fast close 132-139 Open	108-114	120-127 Blue 105-119 Yellow	
0° 	0° 	16-131	093-100	090-104 Green 075-089 Light Blue	
		8-15 Open 0-7 Blackout	072-078	060-074 Orange 045-059 Pink	
			064-071	030-044 Light Yellow 015-029 Light Green	
			058-063	000-014 White	
			051-057		
			044-050		
			037-043		
			029-036		
			022-028		
			015-021		
			008-014		
			000-007		



MANEJO DE LA UNIDAD

Cada vez que encienda la unidad, se mostrará "MS20" en la pantalla, todos los motores volverán a su posición original y puede que oiga algunos ruidos durante 20 segundos. Después de esto, la unidad estará lista para recibir la señal DMX o ejecutar los programas incorporados.

PUEDA MANEJAR LA UNIDAD DE CUATRO FORMAS:

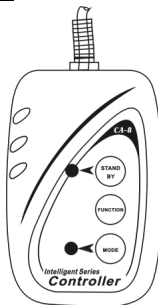
- Mediante la función preprogramada incorporada maestra/esclava
- Mediante el controlador fácil CA-8
- Mediante controlador universal DMX

MEDIANTE LA FUNCIÓN PREPROGRAMADA INCORPORADA MAESTRA/ESCLAVA:

Seleccione esta unidad cuando desee un espectáculo luminoso instantáneo. Uniendo las unidades en conexión maestra/esclava, la primera unidad controlará el resto de unidades para proporcionar un espectáculo luminoso automático, sonoro y sincronizado. Su entrada DMX no tendrá nada conectado y su LED de maestra estará encendido constantemente y el LED de sonido parpadeará con la música.

¡Importante! ¡Esta función sólo funciona cuando la modalidad de oscurecimiento en el menú de la unidad maestra esté desactivada, en caso contrario, no ocurrirá nada! Lea más sobre esta opción en el párrafo "Menú principal".

- MAESTRA dispone de 4 espectáculos incorporados:** Puede seleccionar **5h1** (espectáculo 1), **5h2** (espectáculo 2), **5h3** (espectáculo 3) o **5h4** (espectáculo 4) directamente en el menú de la unidad maestra.
- ESCLAVA dispone de 2 opciones de funcionamiento:** Las otras unidades se ajustan en modalidad esclava (el LED de esclava está constantemente encendido). Para crear un gran espectáculo luminoso, puede introducir movimientos de contraste (panorámica/inclinación de la unidad esclava se invierte) → En el menú



de las unidades esclavas puede ir a la opción **5h1** y seleccionar:

- 5h1** → **Esclava normal:** la unidad esclava funciona en sincronización con la maestra.
- 5h2** → **Espectáculo de 2 luces:** la unidad esclava funciona en oposición a la maestra.

MEDIANTE CONTROLADOR FÁCIL:

Cuando se utiliza en modalidad maestra/esclava, le recomendamos encarecidamente que utilice el "controlador fácil" CA-8. Conecte este pequeño controlador al jack de 1/4" de la unidad maestra y podrá controlar las siguientes **FUNCIONES:**

Stand By	Oscurece la unidad		
Function	1. Sync. Strobe 2. Two-light strobe 3. Sound Strobe	Selección de Espectáculo 1-4	1. Pulse brevemente: se cambian los colores 2. Pulse durante 1 segundo: se cambian los gobos
Mode	Sonido (LED apagado)	Show (LED parpadeando)	LED ON

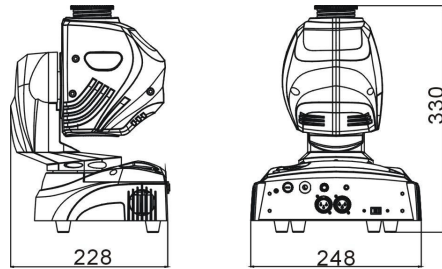
MANTENIMIENTO

- Asegúrese de que debajo de la zona del lugar de instalación no haya personas durante el mantenimiento.
- Apague la unidad, desenchufe el cable de red y espere hasta que la unidad se haya enfriado.
- Durante la inspección deberá comprobar los siguientes puntos:**
- Todos los tornillos utilizados para instalar el dispositivo y cualquiera de sus piezas deberán apretarse firmemente y no corroerse.
- Las carcasas, las fijaciones y los puntos de instalación (techo, suspensiones) no deberán presentar ninguna deformidad.
- Cuando una lente óptica esté visiblemente dañada por grietas o rasguños profundos, deberá ser reemplazada.
- Los cables de red deberán estar en perfecto estado y deberán reemplazarse inmediatamente incluso si el problema detectado es pequeño.
- Para proteger al aparato del sobrecalentamiento, las aletas de refrigeración (si las hubiera) y las aberturas de ventilación deberán limpiarse mensualmente.
- El interior del dispositivo deberá limpiarse anualmente mediante una aspiradora o chorro de aire.
- La limpieza de las lentes internas y externas y/o espejos deberá llevarse a cabo periódicamente para optimizar la emisión luminosa. La frecuencia de limpieza depende del entorno en el que funcione el aparato: los ambientes húmedos, con humo o especialmente sucios pueden provocar una mayor acumulación de suciedad en los elementos ópticos del aparato.
 - Limpie con un paño suave utilizando productos de limpieza de cristales normales.
 - Seque siempre las piezas con cuidado.
 - Limpie los elementos ópticos externos al menos una vez cada 30 días.
 - Limpie los elementos ópticos internos al menos una vez cada 90 días.

Atención: ¡Le recomendamos encarecidamente que la limpieza interna sea llevada a cabo por personal cualificado!

ESPECIFICACIONES

Entrada de red:	CA 230V, 50Hz
Consumo de energía máximo:	55 Watt
Control de sonido:	Micrófono interno
Panorámica/inclinación:	540° / 270°
Ángulo de haz:	14°
Conexiones DMX:	3 clavijas XLR macho / hembra
Led:	1 LED blanco de 20 vatios
Tamaño:	Consulte el gráfico
Peso:	4,8 kg



Toda la información está sujeta a cambios sin previo aviso
 Puede descargar la última versión de este manual de usuario en nuestra página Web:
www.beglec.com

MANUAL DO UTILIZADOR

Obrigado por ter adquirido este produto da JB Systems®. De modo a tirar total proveito das possibilidades deste produto, por favor leia este manual com atenção.

CARACTERÍSTICAS

Esta unidade está protegida contra interferências rádio. Este produto cumpre as exigências impostas pelas presentes diretivas nacionais e europeias. A conformidade deste produto foi comprovada e as declarações e documentos relevantes foram efectuados pelo fabricante.

- Moving Head atraente e futurista para DJ profissionais, companhias de aluguer e discotecas
- Baseado na tecnologia LED de 20 WATT:
 - Consumo de potencia muito reduzido (poupança de dinheiro!)
 - Cores extremamente brilhantes comparadas com unidades com lâmpadas de halogéneo
 - Sem substituição de lâmpadas!
 - Virtualmente sem produção de calor
 - Peso leve (sem necessidade de transformadores de lâmpada)
- Grande potência de saída e gobos definidos graças a ópticas excelentes
- Controlo de intensidade de 0-100% e função strobe ultra rápida
- Excelentes programas incorporados para espectáculos de luz maravilhosos e sempre diferentes:
 - Controlo DMX: 6 canais (horizontal, vertical, cores, gobos, dimmer, strobe)
 - Autónomo: activado por som com microfone interno
 - Master/Slave: maravilhosos espectáculos sincronizados
- 8 gobos + aberto. Equipado com função vibração dos gobos
- Roda de cores independente (8 cores + branco)
- Reposicionamento X/Y automático
- Comando á distância CA-8 disponível (opcional)

ANTES DE UTILIZAR

- Antes de utilizar esta unidade verifique se existem danos provocados durante o transporte. Caso existam danos aparentes, não utilize a unidade e contacte o seu revendedor.
- **Importante:** Esta unidade deixou a nossa fábrica em perfeitas condições e devidamente embalada. É imprescindível que o utilizador siga as instruções de segurança e avisos descritos neste manual. Quaisquer danos provocados por utilização incorrecta não serão cobertos pela garantia. O revendedor não será responsável por quaisquer danos ou problemas causados pelo incumprimento das instruções deste manual.
- Guarde este manual num local seguro para consulta futura. Caso venda esta unidade, forneça este manual.

Verifique o conteúdo:

Certifique-se que a caixa contém os seguintes artigos:

- Manual do utilizador
- Unidade LYNX
- Braçadeira de grampo + 2 parafusos

INSTRUÇÕES DE SEGURANÇA:



CAUTION
 RISK OF ELECTRIC SHOCK
 DO NOT OPEN



ATENÇÃO: De forma a evitar o risco de choque eléctrico, não remova peças da unidade. Não tente fazer reparações. Contacte pessoal qualificado



O símbolo composto por um triângulo equilátero com um relâmpago no interior alerta para a presença de voltagem perigosa não isolada no interior do produto que poderá constituir risco de choque eléctrico.



O símbolo composto por um triângulo equilátero com um ponto de exclamação alerta o utilizador para a presença de instruções importantes de utilização e manutenção do produto.



Este símbolo significa: utilização unicamente em espaços fechados



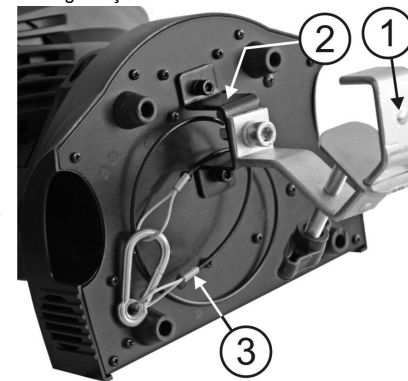
Este símbolo significa: Leia instruções

- Proteja o ambiente. Recicle o material desta embalagem.
- Os efeitos luminosos novos podem por vezes produzir algum fumo e/ou cheiro desagradável. Esta situação é normal e temporária.
- De modo a evitar risco de fogo ou choque eléctrico, não exponha este produto a chuva ou humidade.
- De forma a evitar a formação de condensação no interior da unidade, ao transportá-la para ambiente quente aguarde algum tempo de modo a que haja uma ambientação à temperatura. A condensação poderá afectar o desempenho da unidade ou até danificá-la.
- Esta unidade destina-se unicamente a utilização em espaços fechados.
- Não introduza objectos de metal nem verta líquidos no interior do produto, correrá risco de choque eléctrico ou poderá danificar o produto. Caso algum objecto estranho entre em contacto com o interior da unidade, desligue-a de imediato da corrente.
- Coloque esta unidade num local arejado, afastado de materiais inflamáveis e/ou líquidos. Esta unidade deverá ser instalada a pelos menos 50cm de distância de paredes circundantes.
- Não cubra os orifícios de ventilação ou a unidade poderá sobreaquecer.
- Evite locais com poeiras. Limpe a unidade regularmente.
- Mantenha esta unidade fora do alcance das crianças.
- Esta unidade deverá ser operada unicamente por pessoas experientes.
- Temperatura ambiente de funcionamento máxima é de 40°C. Não utilize esta unidade a temperaturas ambientes mais elevadas.
- Certifique-se de que não irão passar pessoas sob a área de instalação da unidade durante a instalação e manutenção.
- Desligue sempre a unidade da corrente quando não a utilizar durante longos períodos de tempo ou de efectuar manutenção.
- A instalação eléctrica deve ser efectuada unicamente por pessoal qualificado, cumprindo os regulamentos de segurança em instalações eléctricas e mecânicas do seu país.
- Certifique-se que a voltagem a utilizar não é superior à voltagem indicada no painel traseiro da unidade.
- O cabo de alimentação deverá estar sempre em perfeitas condições. Desligue a unidade e substitua imediatamente o cabo caso este apresente algum dano. Deverá ser substituído pelo fabricante, pelo agente autorizado ou pessoal qualificado de modo a evitar um acidente.
- Nunca permita que este cabo entre em contacto com outros cabos!
- Esta unidade deverá estar ligada à Terra de forma a respeitar as regras de segurança.
- Não ligue a unidade a reguladores de intensidade.
- Utilize sempre um cabo de segurança aprovado ao instalar a unidade.
- De forma a não correr risco de choque eléctrico não abra a cobertura da unidade. Não existem peças que possam ser substituídas pelo utilizador.
- **Nunca** repare um fusível nem tente operar a unidade sem fusível. Substitua **sempre** um fusível danificado por outro com as mesmas características!
- Em caso de problemas sérios de funcionamento, interrompa a utilização da unidade e contacte imediatamente o seu revendedor.
- A cobertura e as lentes deverão ser substituídas caso apresentem danos visíveis.
- Caso seja necessário transportar a unidade utilize a embalagem original.
- Por motivos de segurança, são proibidas quaisquer alterações não autorizadas à unidade.

Importante: Nunca olhe directamente para a luz! Não utilize este efeito luminoso na presença de pessoas epiléticas.

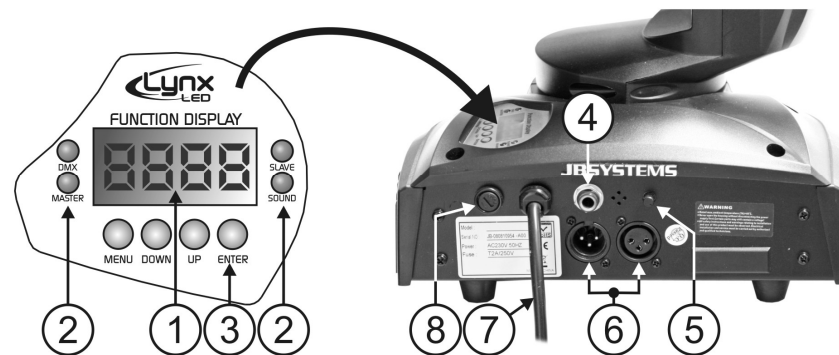
INSTALAÇÃO EM SUSPENSÃO

- **Importante:** A instalação deve ser efectuada unicamente por pessoal qualificado. Uma instalação incorrecta pode resultar em ferimentos graves e/ou danos na sua propriedade. Para efectuar uma instalação em suspensão é necessária muita experiência! Respeite os limites de carga, utilize materiais de instalação aprovados e inspeccione a unidade instalada regularmente de forma a assegurar a segurança.
- Certifique-se que sob a área de instalação da unidade não irão passar pessoas durante a instalação e manutenção.
- Coloque esta unidade num local arejado, afastada de materiais inflamáveis e/ou líquidos. Esta unidade deverá ser instalada a **pelos menos 50cm** de distância de paredes circundantes.
- A unidade deve ser instalada fora do alcance das pessoas; afastada de áreas onde as pessoas possam passar ou sentar-se.
- Antes de proceder à instalação certifique-se que a área seleccionada pode suportar uma carga mínima de 10 vezes o peso da unidade.
- Na instalação, utilize sempre um cabo de segurança aprovado (número 3 na imagem) com capacidade para suportar 12 vezes o peso da unidade. Esta medida de segurança secundária deverá ser instalada para que nenhuma parte da instalação possa cair mais de 20cm caso o ponto de apoio principal ceda.
- A unidade deverá ser fixa firmemente. Uma instalação oscilante pode ser perigosa e não deverá ser efectuada!
- Não cubra os orifícios de ventilação ou a unidade poderá sobreaquecer.
- O utilizador da unidade deverá certificar-se que a instalação é aprovada em termos de segurança e em termos técnicos por uma pessoa qualificada antes de efectuar a primeira utilização. A instalação deverá ser inspeccionada todos os anos por um técnico qualificado de forma a certificar-se que a segurança está assegurada.



1. Grampo opcional
2. Grampo especial (incluído)
3. Cabo de segurança opcional

CONFIGURAÇÃO DA UNIDADE: PAINEL DE CONTROLO:



1. VISOR: Para mostrar os vários menus e as funções seleccionadas:
2. LEDs

DMX	Ligado	Sinal DMX presente
-----	--------	--------------------

MASTER	Ligado	Modo Master
SLAVE	Ligado	Modo Slave
SOUND	A piscar	Activação por som

3. Botões

MENU	Para seleccionar as funções de programação
DOWN	Para recuar nas funções seleccionadas
UP	Para avançar nas funções seleccionadas
ENTER	Para confirmar as funções seleccionadas

- ENTRADA CONTROLO REMOTO:** Usado para conectar um simples comando de mão CA-8 enquanto a unidade é usada em modo autónomo ou modo Master/Slave.
- SENSIBILIDADE:** Para ajustar a sensibilidade do som quando a unidade é usada em modo autónomo ou modo Master/Slave.
- Entrada/Saída DMX:** Para ligação DMX512, utilize uma ficha XLR de 3 pinos (cabo) para ligar a unidade em conjunto.
- Cabo de alimentação:** verifique a voltagem da corrente (deverá ser 230v 50hz) antes de inserir o cabo!
- Fúsvel:** substitua sempre este fusível com um fusível que tenha as mesmas características! (250v/2a lento)

MENU PRINCIPAL:

- Para seleccionar qualquer uma das funções existentes, pressione o botão **MENU** até que a função pretendida surja no visor.
- Confirme a função com o botão **ENTER**. O visor irá piscar.
- Utilize os botões **UP** e **DOWN** para mudar o modo.
- Após seleccionar o modo, pressione o botão **ENTER** para confirmar ou voltará automaticamente às funções principais sem alterações 8 segundos depois. Para voltar às funções sem efectuar alterações pressione **MENU** novamente cerca de segundos. As funções principais são descritas seguidamente.

Addr Configuração endereços

DMX512
Usado para definir o endereço inicial numa configuração DMX.

- Pressione o botão **MENU** até que **Addr** seja mostrado no visor.
- Pressione **ENTER** e o visor irá piscar.
- Utilize os botões **UP** e **DOWN** para alterar o endereço DMX512.

Após seleccionar o endereço, pressione **ENTER** para confirmar o endereço DMX ou voltará automaticamente às funções principais sem alterações 8 segundos depois. Para voltar às funções sem efectuar alterações pressione **MENU** novamente.

MENU	Addr	DMX512 Address Setting
	Sh1	Show mode 1
	Sh2	Show mode 2
	Sh3	Show mode 3
	Sh4	Show mode 4
	SL1	Slave Mode " Normal "
	SL2	Slave mode " 2 Light Show "
	SOn	Sound Mode on
	SOff	Sound Mode off
	BLYes	Blackout Mode " Yes Blackout "
	BLNo	Blackout Mode " No Blackout "
	IPAN	Pan Normal
	IInv	Pan Inversion
	TILT	Tilt Normal
	TInv	Tilt Inversion
	LED	LED on
	LEd	LED off
	DISP	Normal
	DISP	Inversion
	FADJ	Focus Adjust
	TEST	Self-Test
	TEMP	Temperature Test
	HRFS	Fixture Hours
	VER	Software Version
	RESET	Reset

Shnd Modo Show

Usado para escolher o modo Show quando usado em modo individual ou master/slave.

- Pressione o botão **MENU** até que **Shnd** seja mostrado no visor.
- Pressione **ENTER** e o visor irá começar a piscar.
- Utilize os botões **UP** e **DOWN** para seleccionar o modo :
 - Sh1** Modo Show 1 – Unidade fixa no solo. Movimento "Tilt" ângulo de 210°.
 - Sh2** Modo Show 2 – Unidade fixa no tecto. Movimento "Tilt" ângulo de 90°.
 - Sh3** Modo Show 3 – Unidade colocada numa coluna. Ex: na frente do palco. Movimento "Pan" (da esquerda para a direita para esquerda) ângulo de 160°. Movimento "Tilt" ângulo de 90° (60° acima do horizonte; 30° abaixo do horizonte.)
 - Sh4** Modo Show 4 – Unidade fixa no tecto. Feixe projectado principalmente na frente do palco. Movimento "Pan" (da esquerda para a direita para esquerda) ângulo de 160°. Movimento "Tilt" ângulo de 90° (verticalmente, à frente 75°; atrás 15°)
- Após seleccionar o modo, pressione **ENTER** para confirmar ou voltará automaticamente às funções principais sem alterações 8 segundos depois. Para voltar às funções sem efectuar alterações pressione **MENU** novamente cerca de 2 segundos.

SLnd Modo Slave

Usado para fazer a unidade secundária trabalhar em oposto á principal ou trabalhar em sintonia.

- Pressione o botão **MENU** até que seja **SLnd** mostrado no visor.
- Pressione o botão **ENTER**, o visor irá começar a piscar.
- Utilize os botões **UP** e **DOWN** para seleccionar **SL1** (normal) ou **SL2** (modo espectáculo de 2 luzes)
- Após seleccionar o modo, pressione **ENTER** para confirmar ou voltará automaticamente às funções principais sem alterações 8 segundos depois. Para voltar às funções sem efectuar alterações pressione **MENU** novamente cerca de 2 segundos.

Soun Modo Som

A unidade funciona ao ritmo da batida quando usada em modo autónomo ou master/slave

- Pressione o botão **MENU** até que seja **Soun** mostrado no visor.
- Pressione o botão **ENTER**, o visor irá começar a piscar.
- Utilize os botões **UP** e **DOWN** para seleccionar **On** ou **Off**.
- Após seleccionar o modo, pressione **ENTER** para confirmar ou voltará automaticamente às funções principais sem alterações 8 segundos depois. Para voltar às funções sem efectuar alterações pressione **MENU** novamente cerca de 2 segundos.

BLnd Modo Blackout

Modo Blackout: Quando o sinal DMX não é detectado, a unidade entra em blackout e espera pelo sinal DMX

Sem modo blackout: Quando o sinal DMX não é detectado, a unidade automaticamente muda para o modo individual.

- Pressione o botão **MENU** até que **BLnd** seja mostrado no visor.
- Pressione o botão **ENTER**, o visor irá começar a piscar.
- Utilize os botões **UP** e **DOWN** para seleccionar **BLYes** (com blackout) ou **BLNo** (sem blackout).
- Após seleccionar o modo, pressione **ENTER** para confirmar ou voltará automaticamente às funções principais sem alterações 8 segundos depois. Para voltar às funções sem efectuar alterações pressione **MENU** novamente cerca de 2 segundos.

IPAN Inversão do Pan (movimento horizontal)

Normal: O movimento horizontal não é invertido

Inversão do Pan: O movimento horizontal é invertido

- Pressione o botão **MENU** até que **IPAN** seja mostrado no visor.
- Pressione o botão **ENTER**, o visor irá começar a piscar.

- Utilize os botões **UP** e **DOWN** para seleccionar **no** (normal) ou **i** (pan inversion). Após seleccionar o modo, pressione **ENTER** para confirmar ou voltará automaticamente às funções principais sem alterações 8 segundos depois. Para voltar às funções sem efectuar alterações pressione **MENU** novamente cerca de 2 segundos.

ILET Inversão Tilt

Normal: movimento Tilt não é invertido

Inversão do Tilt: movimento tilt é invertido.

- Pressione o botão **MENU** até que **ILET** seja mostrado no visor
 - Pressione o botão **ENTER**, o visor irá começar a piscar.
 - Utilize os botões **UP** e **DOWN** para seleccionar **no** (normal) ou **i** (tilt inversion)
- Após seleccionar o modo, pressione **ENTER** para confirmar ou voltará automaticamente às funções principais sem alterações 8 segundos depois. Para voltar às funções sem efectuar alterações pressione **MENU** novamente cerca de 2 segundos.

LED Visor de Leds

Visor on: visor está sempre ligado

Visor off: visor está desligado quando não está a ser usado

- Pressione o botão **MENU** até que **LED** seja mostrado no visor
 - Pressione o botão **ENTER**, o visor irá começar a piscar.
 - Utilize os botões **UP** e **DOWN** para seleccionar **on** (LEDs acesos) ou **off** (LEDs apagados).
- Após seleccionar o modo, pressione **ENTER** para confirmar ou voltará automaticamente às funções principais sem alterações 8 segundos depois. Para voltar às funções sem efectuar alterações pressione **MENU** novamente cerca de 2 segundos.

DISP Inversão do Visor

Normal display: o visor é legível quando a unidade está no chão.

Display inversion: o visor é legível quando a unidade está montada de pernas para o ar.

- Pressione o botão **MENU** até que **DISP** seja mostrado no visor (normal display)
- Pressione o botão **ENTER** para alternar entre **DISP** (normal display) and **DISP** (display inversion).
- Após 8 segundos a sua escolha é automaticamente gravada

FADJ Ajuste do Foco

Usado para ajudar a ajustar o foco do feixe de luz e gobos.

- Pressione o botão **MENU** até que o **FADJ** comece a piscar no display.
- Pressione o botão **ENTER** para que a unidade vá para a posição "tilt 90°".
- Pressione o botão **ENTER** para que a unidade vá para a posição "pan 0°".
- Pressione o botão **ENTER** para que a unidade vá para a posição "pan 90°".
- Pressione o botão **ENTER** para que a unidade vá para a posição "tilt 180°".
- Pressione o botão **ENTER** para que a unidade vá para a posição "tilt 270°".

Nos 5 passos anteriores poderá ajustar o foco com os botões UP/DOWN na unidade (o display indicará o estado actual do foco)

Atenção: Por favor note que apenas poderá definir um "foco médio" para todas as 5 posições, não sendo possível definir o foco perfeitamente nítido para todas as direcções.

- Para voltar às funções pressione o botão **MENU**.

ERSE Auto Teste

Usado para activar o programa "auto teste" interno que mostra todas as possibilidades da unidade.

- Pressione o botão **MENU** até que **ERSE** comece a piscar no display.
- Pressione o botão **ENTER** para iniciar o programa "auto teste" interno
- Para voltar às funções pressione o botão **MENU** novamente.

TEMP Temperatura no interior da unidade

- Pressione o botão **MENU** até que **TEMP** esteja a piscar no visor.
- Pressione o botão **ENTER** e a temperatura da unidade irá ser mostrada no visor
- Para voltar às funções pressione o botão **MENU** outra vez.

Fhrs Horas da unidade

Usado para mostrar o numero de horas de trabalho da unidade

- Pressione o botão **MENU** até que **Fhrs** comece a piscar no visor.
- Pressione o botão **ENTER** e a unidade irá mostrar o número de horas de funcionamento.
- Para voltar às funções pressione o botão **MENU** novamente.

VER Versão do Software

Usado para mostrar a versão do software que está instalada na unidade.

- Pressione o botão **MENU** até que **VER** comece a piscar no visor.
- Pressione o botão **ENTER** para mostrar a versão do software no visor.
- Para voltar às funções pressione o botão **MENU** novamente.

RSET Reset

Usado para forçar um reinício da unidade.

- Pressione o botão **MENU** até que **RSET** comece a piscar no visor.
- Pressione o botão **ENTER** para reiniciar todos os canais à sua posição standard.
- Para voltar às funções pressione o botão **MENU** novamente.

Consulte também o capítulo sobre a configuração dos canais DMX da unidade para saber como pode forçar um reinício através de DMX.

INSTALAÇÃO ELÉCTRICA + CONFIGURAÇÃO

⚠ Importante: A instalação eléctrica deverá ser efectuada apenas por pessoal qualificado, de acordo com as regulações para segurança eléctrica e mecânica no seu país.

Instalação eléctrica para 1 unidade em standalone:

- Insira o cabo de alimentação. A unidade começa a trabalhar imediatamente em modo standalone
- Nota 1:** Pode conectar um comando remoto CA-8 à unidade se desejar ter mais controlo. Consulte a secção "Como utilizar a unidade" para aprender como fazer isto.
- Nota 2:** Se não existir saída, por favor verifique se a unidade está em modo Master Master e defina o modo blackout para "NO" (ver capítulo anterior)

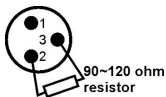
Instalação eléctrica para 2 ou mais unidade em master/slave:



- Conecte de 2 a um máximo de 16 unidades juntas usando cabos de microfone balanceados de boa qualidade. A primeira unidade irá agir automaticamente como Master. As outras unidades irão agir automaticamente como Slaves.
 - Verifique se todas as unidades estão ligadas à corrente.
 - Pronto!
- Nota:** Pode conectar um comando remoto CA-8 à unidade master se desejar ter mais controlo sobre a operação master/slave.

Instalação eléctrica em modo DMX:

- O protocolo DMX é um sinal de alta velocidade muito usado para controlar equipamento de luz inteligente. Precisa de ligar em série o seu controlador DMX e todas as unidades conectadas com um cabo balanceado de boa qualidade.
- Ambos os conectores XLR-3 pinos e XLR-5 pinos são usados, mas os de XLR-3 pinos são mais populares porque estes cabos são compatíveis com cabos áudio balanceados.



Ligação XLR-3pinos: Pino1 = Terra ~ Pino2 = Sinal Negativo (-) ~ Pino3 = Sinal Positivo (+)

Ligação XLR-5pinos: Pino1 = Terra ~ Pino2 = Sinal Negativo (-) ~ Pino3 = Sinal Positivo (+) ~ Pins4+5 não usados.

- Para prevenir comportamentos estranhos dos efeitos de luz, devido a interferências, pode usar um terminador de 90Ω a 120Ω no final da série. Nunca use cabos divisores Y, isto simplesmente não funciona!
- Certifique-se que todas as unidades estão ligadas á corrente.



COMO DEFINIR O ENDEREÇO INICIAL CORRECTO:

Consulte o capítulo anterior (Configuração endereços DMX) para aprender como definir o endereço inicial desta unidade. O endereço inicial de cada unidade é muito importante. Infelizmente é impossível indicar neste manual qual o endereço inicial que deve utilizar porque depende completamente do controlador que irá utilizar... Por isso consulte o manual do seu controlador DMX para descobrir qual o endereço inicial que deverá utilizar.

CONFIGURAÇÃO DMX DO LYNX:

DMX512 Configuration					
Ch1	Ch2	Ch3	Ch4	Ch5	Ch6
Pan	Tilt	Strobe	Gobo	Color	Dimmer
540°	270°	248-255 Open 240-247 Random Strobe 232-239 Open	255 Rotation Fast	255 Rotation Fast	255 100%
270°	135°	190-231 Fast open slow close	128 Rotation Slow	128 Rotation Slow	
0°	0°	182-189 Open	115-121	120-127 Blue	
		140-181 Slow open fast close	108-114	105-119 Yellow	
		132-139 Open	101-107	090-104 Green	
			093-100	075-089 Light Blue	
			086-092	060-074 Orange	
			079-085	045-059 Pink	
			072-078	030-044 Light Yellow	
			064-071	015-029 Light Green	
			058-063	000-014 White	
			051-057		
			044-050		
			037-043		
			029-036		
			022-028		
			015-021		
			008-014		
			000-007		
		16-131			
		8-15			
		0-7			
		0-7			



COMO UTILIZAR A UNIDADE

Cada vez que ligar a unidade, irá mostrar "MS20" no visor e mover todos os motores para a sua posição inicial e poderá ouvir alguns ruídos durante 20 segundos. Depois disso a unidade estará pronta para receber sinal DMX ou executar os programas incorporados.

É POSSÍVEL OPERAR A UNIDADE DE 3 FORMAS:

- Através de programas incorporados em modo master/slave
- Através do controlador CA-8
- Através de controlador DMX universal

ATRAVÉS DE PROGRAMAS INCORPORADOS EM MODO MASTER/SLAVE:

Esta função é útil para quando é necessário um espectáculo instantâneo. Ao ligar as unidades em modo master/slave, a primeira unidade irá controlar as restantes unidades e executar um espectáculo de luz sincronizado automaticamente activado por som. Na sua entrada DMX não será ligado nada, o led Master estará sempre ligado e o led SOUND irá piscar ao ritmo da música.

Importante! Esta função apenas funciona quando o modo Blackout no menu da unidade Master está definido como OFF, de outra forma nada irá acontecer. Saiba mais sobre esta opção no parágrafo "Menu Principal"

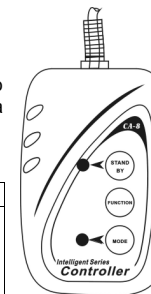
- MASTER tem 4 programas incorporados:** Pode escolher **Sh 1** (show 1), **Sh 2** (show 2), **Sh 3** (show 3) ou **Sh 4** (show 4) directamente no menu da unidade Master.
- SLAVES tem 2 opções de funcionamento:** As outras unidades estão definidas para modo Slave (led SLAVE sempre ligado). Para criar um bom espectáculo de luz pode introduzir movimentos contrários (pan/tilt das unidades Slave invertido → No menu das unidades Slave pode ir á opção **SLAVE** e escolher:
 - SL 1 → Slave normal:** Unidade Slave funciona sincronizada com a Master.
 - SL 2 → 2 light show:** Slave funciona em oposto á Master.

ATRAVÉS DO CONTROLADOR CA-8:

Quando usado em modo Master/Slave recomendamos vivamente que utilize o controlador CA-8. Conecte este pequeno controlador á entrada jack de ¼" da unidade Master, e irá ser possível controlar as seguintes funções:

FUNÇÕES:

Stand By	Coloca a unidade em Blackout		
Função	1. Strobe síncrono 2. Strobe 2 luzes 3. Strobe ao som	Escolher Show 1-4	1. Pressione rápido: Muda as cores 2. Pressione 1 seg: Muda os gobos
Modo	Som (LED Apagado)	Show (LED Strobe)	LED Aceso



MANUTENÇÃO

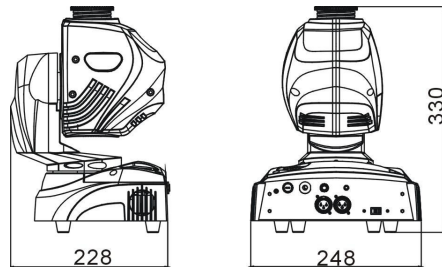
- Certifique-se que sob a área de instalação da unidade não irão passar pessoas durante a manutenção.
- Desligue o cabo de alimentação da corrente e aguarde que a unidade arrefeça.
- Durante a inspeção deverá verificar os seguintes pontos:**
- Todos os parafusos utilizados nas peças da unidade e na instalação deverão estar apertados firmemente e não poderão estar corroídos.
- A cobertura da unidade, os pontos de fixação e as áreas de instalação (tecto, armação, etc.) não deverão apresentar qualquer deformação.
- Caso uma lente apresente danos visíveis como fendas ou riscos profundos, deverá ser substituída imediatamente.
- O cabo de alimentação deverá estar em perfeitas condições e deverá ser substituído assim que for detectado o mais pequeno dano.
- As ventoinhas de arrefecimento (caso existam) e os orifícios de ventilação deverão ser limpos todos os meses de modo a evitar que unidade sobreaqueça.
- Utilize um aspirador ou um compressor de ar para limpar o interior da unidade uma vez por ano.

- De forma a otimizar a projecção de luz, limpe as lentes ópticas internas e externas e/ou espelhos periodicamente. A regularidade das limpezas depende do ambiente em que está instalada a unidade: um ambiente húmido, com fumo ou poeirento dará origem a uma maior acumulação de impurezas nas ópticas da unidade.
 - Utilize um pano macio e um limpa-vidros normal na limpeza da unidade.
 - Seque sempre as peças cuidadosamente.
 - Limpe as ópticas externas pelo menos uma vez em cada 30 dias.
 - Limpe as ópticas internas pelo menos uma vez em cada 90 dias.

Atenção: Recomendamos vivamente que a limpeza do interior da unidade seja efectuada por pessoal qualificado!

ESPECIFICAÇÕES

Fonte de Alimentação:	AC 230V, 50Hz
Consumo máximo de potência:	55 Watt
Controlo de som:	Microfone interno
Mov. Horizontal/Vertical:	540° / 270°
Ângulo do feixe:	14°
Ligações DMX:	XLR 3 pinos macho / fêmea
Led:	1 LED Branco 20Watt
Dimensões:	Ver diagrama
Peso:	4,8 kg



Estas informações estão sujeitas a alterações sem aviso prévio

Pode fazer download da versão mais recente deste manual no nosso site: www.beglec.com