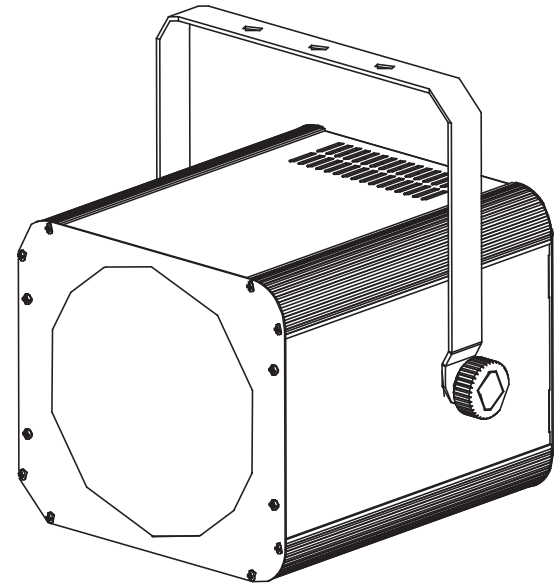


Matrix LED



Operation Manual EN
Mode d'emploi FR
Gebruiksaanwijzing NL
Bedienungsanleitung DE
Manual de instrucciones ES
Manual do utilizador PT

WWW.BEGLEC.COM

Copyright © 2009 by BEGLEC comm.v.a.

*t Hofveld 2 ~ B1702 Groot-Bijgaarden ~ Belgium

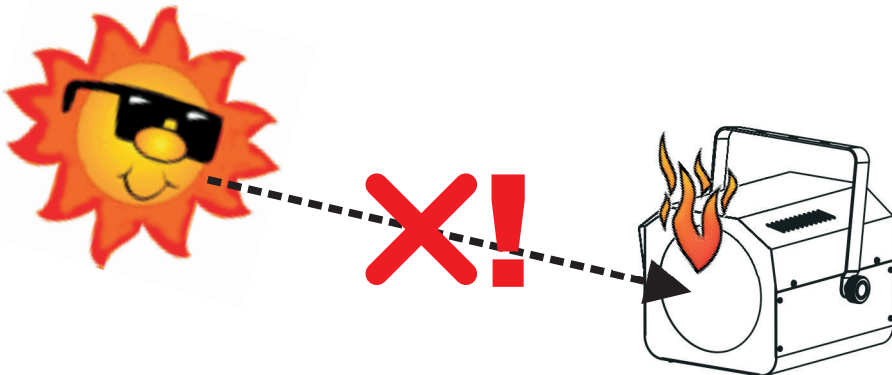
Reproduction or publication of the content in any manner, without express permission of the publisher, is prohibited.



Version: 1.0



DANGER ~ GEVAAR ~ GEFAHR ~ PELIGRO ~ PERIGO



WARNING: DANGER! never expose the lens to direct sunlight, even for a short period. This may damage the light effect or even cause fire!

ATTENTION: DANGER! n'exposez jamais la lentille directement aux rayons de soleil, même pendant un bref instant. Ceci peut endommager l'intérieur de l'appareil ou même causer un incendie !

OPGELET : GEVAAR ! stel de lens nooit bloot aan direct zonlicht, zelfs gedurende een korte periode. Dit kan het toestel beschadigen en zelfs brand veroorzaken!

WARNUNG: GEFAHR! Setzen sie die Linse niemals direkter Sonneneinstrahlung aus, auch nicht für eine kurze Zeit ! Die direkte Sonneneinstrahlung kann das Gerät zerstören oder zum brennen bringen!

ADVERTENCIA: ¡PELIGRO! ¡nunca exponga la lente a la luz solar directa, aún durante un período corto! ¡Esto puede dañar el efecto de luz o incluso causar el fuego!

AVISO: PERIGO! Nunca exponha as lentes directamente à luz solar, mesmo que por pouco tempo! Isto pode danificar o efeito luminoso ou mesmo provocar um incêndio!

EN - DISPOSAL OF THE DEVICE

Dispose of the unit and used batteries in an environment friendly manner according to your country regulations.

FR - DÉCLASSER L'APPAREIL

Débarrassez-vous de l'appareil et des piles usagées de manière écologique, conformément aux dispositions légales de votre pays.

NL - VERWIJDEREN VAN HET APPARAAT

Verwijder het toestel en de gebruikte batterijen op een milieuvriendelijke manier conform de in uw land geldende voorschriften.

DU - ENTSORGUNG DES GERÄTS

Entsorgen Sie das Gerät und die Batterien auf umweltfreundliche Art und Weise gemäß den Vorschriften Ihres Landes.

ES - DESHACERSE DEL APARATO

Reciclar el aparato y pilas usadas de forma ecologica conforme a las disposiciones legales de su país.

PT - COMO DESFAZER-SE DA UNIDADE

Tente reciclar a unidade e as pilhas usadas respeitando o ambiente e em conformidade com as normas vigentes no seu país.



OPERATION MANUAL

Thank you for buying this JB Systems® product. To take full advantage of all possibilities and for your own safety, please read these operating instructions very carefully before you start using this unit.

FEATURES

This unit is radio-interference suppressed. This product meets the requirements of the current European and national guidelines. Conformity has been established and the relevant statements and documents have been deposited by the manufacturer.

- This device was designed to produce decorative effect lighting and is used in light show systems.
- A very powerful, mind blowing, LED effect.
- Via DMX each of the 256 power LEDs(R=64 + G=64 + B=64 + W=64) can be controlled independently to obtain the most amazing effects!
- Different working modes selectable via the 4-digit LED-display:
 - Standalone: sound activated shows with internal mic
 - Master/slave: wonderful synchronized shows
 - Optional CA-8 remote controller available
 - Different DMX modes:
 - Via 256 DMX channels you can create amazing text patterns, geometric figures, dynamic scanning/rolling/rotating and zooming effects!
 - The 1channel DMX mode makes operation extremely easy
 - With the 4 channel DMX mode gives you full control over all built-in programs.
- Extremely brilliant colors compared to effects with halogen lamps
- No lamp replacements!
- Virtually no heat production and very low power consumption
- 0-100% dimming and ultra fast strobe function
- Equipped with big optical lens for maximum light output and wide 54° beam angle

BEFORE USE

- Before you start using this unit, please check if there's no transportation damage. Should there be any, do not use the device and consult your dealer first.
- **Important:** This device left our factory in perfect condition and well packaged. It is absolutely necessary for the user to strictly follow the safety instructions and warnings in this user manual. Any damage caused by mishandling is not subject to warranty. The dealer will not accept responsibility for any resulting defects or problems caused by disregarding this user manual.
- Keep this booklet in a safe place for future consultation. If you sell the fixture, be sure to add this user manual.

Check the contents:

Check that the carton contains the following items:

- Operating instructions
- MATRIX LED unit
- Mains cable

SAFETY INSTRUCTIONS:



CAUTION: To reduce the risk of electric shock, do not remove the top cover. No user-serviceable parts inside. Refer servicing to qualified service personnel only.



The lightning flash with arrowhead symbol within the equilateral triangle is intended to alert the user or the presence of un-insulated "dangerous voltage" within the product's enclosure that may be of sufficient magnitude to constitute a risk of electric shock.



The exclamation point within the equilateral triangle is intended to alert the user to the presence of important operation and maintenance (servicing) instructions in the literature accompanying this appliance.



This symbol means: indoor use only



This symbol means: Read instructions



This symbol means: Safety Class I appliance



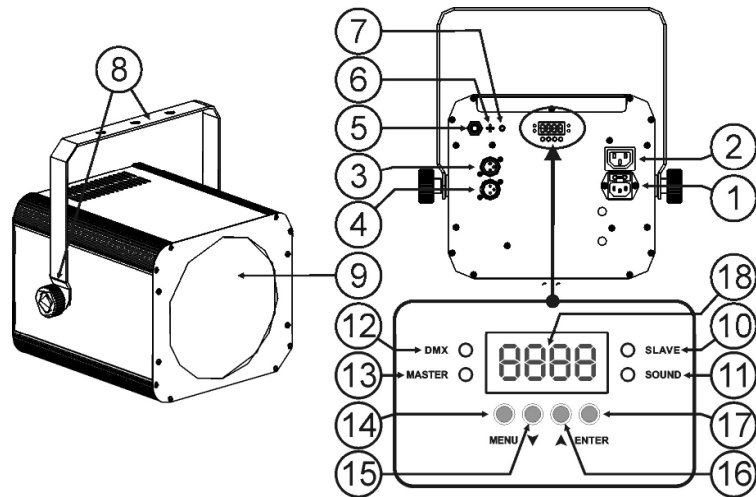
This symbol determines: the minimum distance from lighted objects. The minimum distance between light-output and the illuminated surface must be more than 0,5 meters

The device is suitable for mounting on standard flammable surfaces. Standard flammable surfaces include building materials such as wood and wood-based materials more than 2mm thick.

- To protect the environment, please try to recycle the packing material as much as possible.
- To prevent fire or shock hazard, do not expose this appliance to rain or moisture.
- To avoid condensation to be formed inside, allow the unit to adapt to the surrounding temperatures when bringing it into a warm room after transport. Condense sometimes prevents the unit from working at full performance or may even cause damages.
- This unit is for indoor use only.
- Don't place metal objects or spill liquid inside the unit. Electric shock or malfunction may result. If a foreign object enters the unit, immediately disconnect the mains power.
- Locate the fixture in a well ventilated spot, away from any flammable materials and/or liquids. The fixture must be fixed at least 50cm from surrounding walls.
- Don't cover any ventilation openings as this may result in overheating.
- Prevent use in dusty environments and clean the unit regularly.
- Keep the unit away from children.
- Inexperienced persons should not operate this device.
- Maximum save ambient temperature is 40°C. Don't use this unit at higher ambient temperatures.
- Make sure the area below the installation place is free from unwanted persons during rigging, de-rigging and servicing.
- Always unplug the unit when it is not used for a longer time or before to start servicing.
- The electrical installation should be carried out by qualified personal only, according to the regulations for electrical and mechanical safety in your country.
- Check that the available voltage is not higher than the one stated on the rear panel of the unit.
- The power cord should always be in perfect condition. Switch the unit immediately off when the power cord is squashed or damaged. It must be replaced by the manufacturer, its service agent or similarly qualified persons in order to avoid a hazard.
- Never let the power-cord come into contact with other cables!
- This fixture must be earthed in order to comply with safety regulations.
- Don't connect the unit to any dimmer pack.
- Always use an appropriate and certified safety cable when installing the unit.
- In order to prevent electric shock, do not open the cover. There are no user serviceable parts inside.
- **Never** repair a fuse or bypass the fuse holder. **Always** replace a damaged fuse with a fuse of the same type and electrical specifications!
- In the event of serious operating problems, stop using the fixture and contact your dealer immediately.
- The housing and the lenses must be replaced if they are visibly damaged.
- Please use the original packing when the device is to be transported.
- Due to safety reasons it is prohibited to make unauthorized modifications to the unit.

Important: Never look directly into the light source! Don't use the effect in the presence of persons suffering from epilepsy.

DESCRIPTION:



1. Mains input with IEC socket and integrated fuse holder, connect the supplied mains cable here.
2. Mains output with IEC socket: you can use a special IEC power cable to connect this output with the mains input of the next MATRIX LED for easier linking. (max 40 units can be linked)
3. DMX input
4. DMX output
5. ¼" Jack input for the optional CA-8 hand controller
6. Internal microphone
7. Sensitivity control for audio level.
8. Hanging bracket with 2 knobs on both sides to fasten the unit and a mounting hole to fix a mounting hook.
9. Big optical lens for maximum light output and wide 54° beam angle
10. Slave LED: is lit when the unit is in slave mode
11. Sound LED: blinks to the rhythm of the music while the unit is in audio mode
12. DMX LED: is lit when the unit receives a DMX-signal
13. Master LED: is lit when the unit is switched as master
14. MENU button: used to select the different menu items
15. DOWN button: to go back in the menu and to lower the values shown on the display.
16. UP button: to go up in the menu and to increase the values shown on the display.
17. ENTER button: used to confirm your choice.
18. DISPLAY shows the various menus and the selected functions.

OVERHEAD RIGGING

- **Important:** The installation must be carried out by qualified service personal only. Improper installation can result in serious injuries and/or damage to property. Overhead rigging requires extensive experience! Working load limits should be respected, certified installation materials should be used, the installed device should be inspected regularly for safety.
- Make sure the area below the installation place is free from unwanted persons during rigging, de-rigging and servicing.
- Locate the fixture in a well ventilated spot, far away from any flammable materials and/or liquids. The fixture must be fixed at least 50cm from surrounding walls.

- The device should be installed out of reach of people and outside areas where persons may walk by or be seated.
- Before rigging make sure that the installation area can hold a minimum point load of 10times the device's weight.
- Always use a certified safety cable that can hold 12times the weight of the device when installing the unit. This secondary safety attachment should be installed in a way that no part of the installation can drop more than 20cm if the main attachment fails.
- The device should be well fixed; a free-swinging mounting is dangerous and may not be considered!
- Don't cover any ventilation openings as this may result in overheating.
- The operator has to make sure that the safety-relating and machine-technical installations are approved by an expert before using them for the first time. The installations should be inspected every year by a skilled person to be sure that safety is still optimal.

ELECTRICAL INSTALLATION + ADDRESSING

! **Important:** The electrical installation should be carried out by qualified personal only, according to the regulations for electrical and mechanical safety in your country.

Electrical installation for 1 standalone unit:

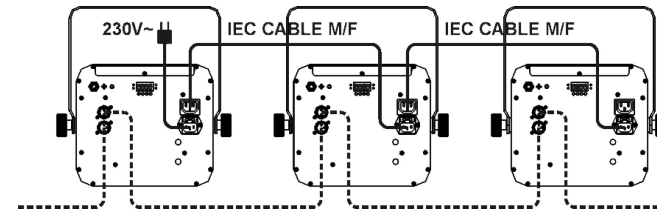
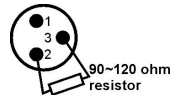
- Just insert the mains cable. The unit starts working immediately in stand-alone mode.
- Remark1:** You can connect a CA-8 remote controller to the unit if you want to have more control. Refer to "how to operate the unit" to learn how to do this.
- Remark2:** if there's no output, please make sure to set the unit in master mode (see next chapter)

Electrical installation for two or more units in master/slave:

- Connect 2 to maximum 16 units together using good quality balanced microphone cables. Put the first unit of the chain in master mode, the rest must be set to slave mode (SL1 or SL2). See the next chapter for more information.
- Make sure that all units are connected to the mains.
- Done!
- Remark:** You can connect a CA-8 remote controller to the master unit if you want to have more control over the master/slave operation

Electrical installation in DMX-mode:

- The DMX-protocol is a widely used high speed signal to control intelligent light equipment. You need to "daisy chain" your DMX controller and all the connected units with a good quality balanced cable.
- Both XLR-3pin and XLR-5pin connectors are used, however XLR-3pin is more popular because these cables are compatible with balanced audio cables.
Pin layout XLR-3pin: Pin1 = GND ~ Pin2 = Negative signal (-) ~ Pin3 = Positive signal (+)
Pin layout XLR-5pin: Pin1 = GND ~ Pin2 = Negative signal (-) ~ Pin3 = Positive signal (+) ~ Pins4+5 not used.
- To prevent strange behavior of the light effects, due to interferences, you must use a 90Ω to 120Ω terminator at the end of the chain. Never use Y-splitter cables, this simply won't work!
- Make sure that all units are connected to the mains.
- Each light effect in the chain needs to have its proper starting address so it knows which commands from the controller it has to decode. In the next section you will learn how to set the DMX addresses.



HOW TO SET THE RIGHT STARTING ADDRESS:

Refer to the next chapter (DMX-512 address setting) to learn how to set the starting address on this unit. The start address of each unit is very important. Unfortunately it is impossible to tell you in this user manual which start addresses you have to set because this completely depends on the controller you will use... So please refer to the user manual of your DMX-controller to find out which starting addresses you must set.

Example settings for different channel configurations:

- **1 Channel mode:** 001 (unit1), 002 (unit2), 003 (unit3), ... → intervals of 1 channel
- **4 Channel mode:** 001 (unit1), 005 (unit2), 009 (unit3), ... → intervals of 4 channels
- **256 Channel mode:** 001 (unit1), 257 (unit2) → intervals of 256 channels

DMX-CONFIGURATION OF MATRIX LED:

1 CHANNEL MODE		4 CHANNEL MODE				
Ch1	Ch1	Ch2	Ch3	Ch4		
Chase	Function	Pattern CH1=10-99	Chase CH1=100-239	Color CH1=10-99	Chase Speed CH1=100-239	Strobe
240-255 Random Chase	240-255 Sound Active	236-255 Pattern 12	236-255 Chase 12	239-255 R+G+B+W	255 Fast	⚡⚡⚡
218-239 Chase 12		215-235 Pattern 11	215-235 Chase 11	222-238 G+B+W		
198-217 Chase 11	100-239 Chase	194-214 Pattern 10	194-214 Chase 10	205-221 R+B+W	10-255 ⚡⚡	⚡
178-197 Chase 10		173-193 Pattern 9	173-193 Chase 9	188-204 R+G+W		
158-177 Chase 9	10-99 Pattern	151-172 Pattern 8	151-172 Chase 8	171-187 R+G+B	0 Slow	0-9 Stop
138-157 Chase 8		130-150 Pattern 7	130-150 Chase 7	154-170 B+W		
128-137 Chase 7	0-9 OFF	109-129 Pattern 6	109-129 Chase 6	137-153 G+W		
108-127 Chase 6		088-108 Pattern 5	088-108 Chase 5	120-136 G+B		
88-107 Chase 5		066-087 Pattern 4	066-087 Chase 4	103-119 R+W		
68-87 Chase 4		042-065 Pattern 3	042-065 Chase 3	086-102 R+B		
48-67 Chase 3		021-041 Pattern 2	021-041 Chase 2	069-085 R+G		
29-47 Chase 2		000-020 Pattern 1	000-020 Chase 1	052-068 W		
10-28 Chase 1				035-051 B		
0-9 OFF				018-034 G		
				000-017 R		

256 CHANNEL MODE								
Ch1	Ch2	Ch3	Ch4	Ch253	Ch254	Ch255	Ch256
Red	Green	Blue	White	Red	Green	Blue	White
255 100%	255 100%	255 100%	255 100%	255 100%	255 100%	255 100%	255 100%
0 0%	0 0%	0 0%	0 0%	0 0%	0 0%	0 0%	0 0%

Three DMX-modes are available: 1CH, 4CH and 256 mode:

1 channel mode:

Extremely user friendly mode: you only need 1 DMX channel to choose 1 of the 11 preprogrammed sound chases or you can use our Effect commander to switch the unit ON/OFF (no switch pack needed).

4 channel mode:

You can take full control of all pre-programmed functions of the effect.

- Channel 1: switch the unit on/off and select how channels 2 + 3 work.
- Channel 2: depending on the setting of channel1 you can select 1 of 12 patterns or 12 chases.

- Channel 3: depending on the setting of channel1 you can select 1 of 15 color combinations or set a desired chase speed.
- Channel 4: select the desired strobe frequency.

256 channel mode:

For maximum flexibility and creativity, you can program every single LED of the unit. Please note that in this mode the unit uses 256 DMX-channels: programming so many channels is only convenient with adapted DMX-software on a PC.

HOW TO SETUP:

MAIN MENU:

- To select any of the menu options, press the **MENU** button up to when the required one is shown on the display.
 - Select the function with the **ENTER** button. The display will blink.
 - Use **DOWN** and **UP** button to choose the desired menu option.
 - Once the required menu option is selected, press the **ENTER** button to select.
 - Press the MENU button for 2seconds to save the settings and go back to normal working mode.
- To go back to the functions without any change just wait 8 seconds. The menu structure is shown below.

Addr DMX512 Address

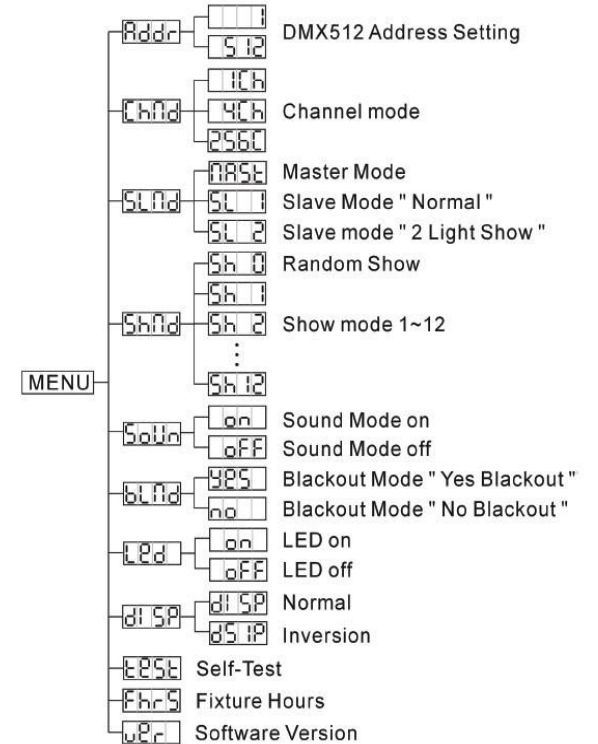
Setting
Used to set the starting address in a DMX setup.

- Press the MENU button until **Addr** is shown on the display.
- Press the ENTER button, the display starts blinking.
- Use DOWN and UP buttons to change the DMX512 address.
- Once the correct address shows on the display, press the ENTER button to save it. (or automatically return to the main functions without any change after 8 seconds)
- Press the MENU button for about 2 seconds to return to running mode.

Chnd Channel Mode

Used to set the number of DMX-channels.

- Press the MENU button until **Chnd** is shown on the display.
- Press the ENTER button, the display starts blinking.
- Use DOWN and UP button to select the **1Ch** (1 channel), **4Ch** (4 channel) or **256Ch** (256 channel) mode.
- Once the desire mode is selected, press the ENTER button to setup (or automatically return to the main functions without any change after 8 seconds)
- Press the MENU button for about 2 seconds to return to running mode.



SLND Working Mode

Used to set the unit in master or slave mode.

- Press the MENU button until **SLND** is shown on the display.
- Press the ENTER button, the current working mode starts blinking in the display
- Use the DOWN and UP buttons to select **MAST** (master), **SLV1** (slave in sync with the master) or **SLV2** (2 light show – slave in anti-sync with the master).
- Once the mode is selected, press the ENTER button to save it. (or automatically return to the main functions without any change after 8 seconds)
- Press the MENU button for about 2 seconds to return to running mode.

SHND Show Mode

Used to select one of the preprogrammed shows when used in standalone or master/slave mode.

- Press the MENU button until **SHND** is shown on the display.
- Press the ENTER button to select.
- Use DOWN and UP buttons to select one of the preprogrammed shows:
 - **SH0** → all shows played in random mode.
 - **SH1** to **SH12** → 12 different built-in shows.
- Once the right show is selected, press the ENTER button to confirm.
- Press the **MENU** button for about 2 seconds to return to running mode.

SOUn Sound Mode

Used to choose the desired sound mode to trigger the shows.

- Press the MENU button until **SOUn** is shown on the display.
- Press the ENTER button to select.
- Use DOWN and UP button to select one of the available modes:
 - **On** (sound mode ON) → the shows are triggered by the internal microphone.
 - **OFF** (sound mode OFF) → the shows are triggered by the speed selected with the shows.
- Once the right mode is selected, press the ENTER button to confirm.
- Press the **MENU** button for about 2 seconds to return to running mode.

BLND Blackout Mode

Blackout mode: when no DMX-signal is detected, the unit goes in blackout.

No blackout mode: when no DMX-signal is detected, the unit automatically switches to master mode.

- Press the MENU button until **BLND** is shown on the display.
- Press the ENTER button, the current selection starts blinking in the display.
- Use DOWN and UP button to select **YES** (blackout) or **NO** (no blackout) mode.
- Once the mode is selected, press the ENTER button to save it. (or automatically return to the main functions without any change after 8 seconds)
- Press the MENU button for about 2 seconds to return to running mode.

LED Led Display

Display on: display is always on.

Display off: display is off when not used.

- Press the MENU button until the display shows **LED**.
- Press the ENTER button, the display starts blinking.
- Use DOWN and UP buttons to select **on** (display always on) or **OFF** (display off when not used).
- Once the mode is selected, press the ENTER button to save it. (or automatically return to the main functions without any change after 8 seconds)
- Press the MENU button for about 2 seconds to return to running mode.

DISP Display Inversion

Display normal: display is readable when the unit is on the floor.

Display inversion: display is readable when the unit is mounted upside down.

- Press the MENU button until **DISP** is blinking on the display. (normal display)
- Use the ENTER button to change to the mode **DISP** (display inversion), the option will be automatically stored after 8 seconds. Or press the ENTER button again return to the mode **DISP** (normal display). To go back to the functions press the MENU button.
- Press the MENU button for about 2 seconds to return to running mode.

TEST Self-Test

- Press the MENU button until **TEST** is blinking on the display.
- Press the ENTER button: the unit will run the built-in programmer for self-test.
- To go back to the functions press the MENU button.
- Press the MENU button for about 2 seconds to return to running mode.

Fhrs Fixture Hours

Used to show the number of working hours of the unit.

- Press the MENU button until **Fhrs** is blinking on the display.
- Press the ENTER button to show the number of working hours in the display.
- To go back to the functions press the MENU button.
- Press the MENU button for about 2 seconds to return to running mode.

VER Software version:

Used to show the software version of the unit.

- Press the MENU button until **VER** blinks on the display.
- Press the ENTER button to show the software version of the unit.
- To go back to the functions press the MENU button.
- Press the MENU button for about 2 seconds to return to running mode.

HOW TO OPERATE THE UNIT

YOU CAN OPERATE THE UNIT IN 3 WAYS:

- By master/slave with built-in preprogrammed functions
- By CA-8 easy controller
- By any universal DMX controller (1, 4 & 256 channel DMX mode)

MASTER/SLAVE WITH BUILT-IN PREPROGRAMMED FUNCTIONS:

Select this function when you want an instant show. By linking the units in master/slave connection, the first unit will control the other units to give an automatic, sound activated, synchronized light show. Its DMX input will have nothing plugged into it, and its master-LED will be constantly on and sound-LED will flash to the music.

Important! This function only works when the blackout mode in the menu of the master is set to OFF, otherwise nothing will happen! Read more about this option in the “How to setup” paragraph.

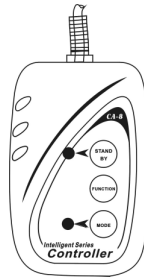
- **MASTER has 12 built-in shows:** You can select **SH0** (show 0) to **SH12** (show 12) directly in the menu of the master.
- **SLAVES have 2 working options:** These units are set to slave mode (slave-LED is constantly on). In order to create a great light show you can introduce contrast movements → In the menu of the slave units you can go to option **SLND** and select:
 - **SLV1** → **Normal slave:** slave works in sync with the master.
 - **SLV2** → **2 light show:** slave works in opposite with the master.

BY EASY CONTROLLER:

When used in Master/slave mode we strongly advise you to use the CA-8 “Easy controller” Just connect this small controller to the 1/4” jack of the master unit, and you will be able to control the following

FUNCTIONS:

Standby	Blackout the unit	
Function	1/ Sound White Strobe 2/ Sound Color Strobe	Select Show (show 1-12)
Mode	Sound/Strobe (LED OFF)	Color (LED ON)



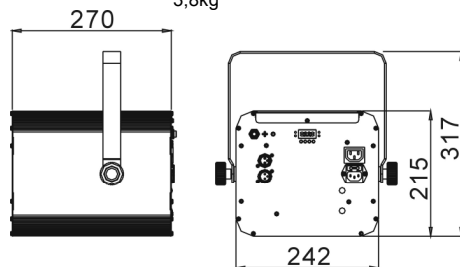
MAINTENANCE

- Make sure the area below the installation place is free from unwanted persons during servicing.
 - Switch off the unit, unplug the mains cable and wait until the unit has been cooled down.
- During inspection the following points should be checked:**
- All screws used for installing the device and any of its parts should be tightly fastened and may not be corroded.
 - Housings, fixations and installations spots (ceiling, truss, suspensions) should be totally free from any deformation.
 - When an optical lens is visibly damaged due to cracks or deep scratches, it must be replaced.
 - The mains cables must be in impeccable condition and should be replaced immediately when even a small problem is detected.
 - In order to protect the device from overheat the cooling fans (if any) and ventilation openings should be cleaned monthly.
 - The interior of the device should be cleaned annually using a vacuum cleaner or air-jet.
 - The cleaning of internal and external optical lenses and/or mirrors must be carried out periodically to optimize light output. Cleaning frequency depends on the environment in which the fixture operates: damp, smoky or particularly dirty surroundings can cause greater accumulation of dirt on the unit's optics.
 - Clean with a soft cloth using normal glass cleaning products.
 - Always dry the parts carefully.
 - Clean the external optics at least once every 30 days.
 - Clean the internal optics at least every 90 days.

Attention: We strongly recommend internal cleaning to be carried out by qualified personnel!

SPECIFICATIONS

Mains Input:	AC 230V, 50Hz
Power consumption:	29 Watt
Fuse:	250V 6,3A slow blow (20mm glass)
Sound Control:	Internal microphone
DMX connections:	3pin XLR male / female
DMX channels used:	1 or 4 or 256 channels
Lamp:	256 LEDs (64R + 64G + 64B + 64W)
Size:	270 x 242 x 317mm
Weight:	3,8kg



Every information is subject to change without prior notice

You can download the latest version of this user manual on our website: www.beglec.com

MODE D'EMPLOI

Merci d'avoir choisi ce produit JB Systems®. Pour votre sécurité et pour une utilisation optimale de toutes les possibilités de l'appareil, lisez attentivement cette notice avant utilisation.

EN VOUS INSCRIVANT POUR LA LETTRE D'INFORMATION VOUS SEREZ TOUJOURS TENU AU COURANT DES DERNIERES NOUVELLES CONCERNANT NOS PRODUITS: NOUVEAUTES, ACTIONS SPECIALES, JOURNEES PORTES OUVERTES, ETC.
 → SURFEZ SUR: WWW.BEGLEC.COM ←

CARACTERISTIQUES

Cet appareil ne produit pas d'interférences radio. Il répond aux exigences nationales et européennes. La conformité a été établie et les déclarations et documents correspondants ont été déposés par le fabricant.

- Cet appareil a été conçu pour la production de jeux de lumières décoratifs et est utilisé dans des spectacles lumineux.
- Effet lumineux faisant usage de LED, d'une puissance et d'un attrait exceptionnels.
- Via DMX, on peut contrôler les 256 LED de puissance (rouges = 64, vertes = 64, bleues = 64, et blanches = 64) indépendamment, de manière à créer les effets les plus saisissants qui soient !
- L'utilisateur est en mesure de sélectionner différents modes de fonctionnement via l'écran à LED de 4 caractères :
 - Mode autonome : activation sonore des shows via micro interne ;
 - Mode maître/esclave : magnifiques shows synchronisés ;
 - En option, une télécommande CA-8 est disponible ;
 - Plusieurs modes DMX sont disponibles :
 - via 256 canaux DMX, il est possible de créer des motifs à textes, des figures géométriques et des effets dynamiques de toutes sortes (scanning, rolling, rotating and zooming) ;
 - Le mode DMX à un seul canal rend le fonctionnement extrêmement facile ;
 - Quant au mode DMX à 4 canaux, il vous permet un contrôle total sur tous les programmes internes.
- Couleurs extrêmement brillantes comparées aux effets fonctionnant avec des lampes halogènes.
- Pas de lampes à remplacer !
- Pratiquement aucune production de chaleur et très basse consommation.
- Fonction gradateur allant de 0 à 100 % et fonction stroboscope ultrarapide.
- Equipé de lentilles de grandes dimensions en vue d'obtenir une puissance lumineuse maximale, angle de dispersion de 54°.

AVANT UTILISATION

- Avant d'utiliser cet appareil, assurez-vous de l'absence de dommages liés au transport. En cas de dommages, n'utilisez pas l'appareil et contactez le vendeur.
- **Important:** Cet appareil a quitté notre usine en parfaite condition et bien emballé. Il est primordial que l'utilisateur suive les instructions de sécurité et avertissements inclus dans ce manuel. La garantie ne s'applique pas en cas de dommage lié à une utilisation incorrecte. Le vendeur ne prend pas la responsabilité des défauts ou de tout problème résultant du fait de n'avoir pas tenu compte des mises en garde de ce manuel.
- Conservez ce manuel dans un endroit sûr pour toute consultation future. Si vous vendez l'appareil, assurez-vous d'y joindre ce manuel également.
- Afin de protéger l'environnement, merci de recycler les emballages autant que possible.

Vérifiez le contenu:

Vérifiez si l'emballage contient bien les articles suivants:

- Appareil MATRIX LED
- Mode d'emploi
- Câble d'alimentation

INSTRUCTIONS DE SECURITE:

CAUTION
RISK OF ELECTRIC SHOCK
DO NOT OPEN



ATTENTION: afin de réduire le risque d'électrocution, n'enlevez jamais le couvercle de l'appareil. Il n'y a aucune pièce à l'intérieur de l'appareil que vous puissiez remplacer vous-même. Confiez l'entretien uniquement à des techniciens qualifiés.



La foudre dans un triangle met l'utilisateur en garde contre la présence de haute tension sans isolation dans l'appareil, ce qui peut causer un risque d'électrocution.



Un point d'exclamation dans un triangle prévient de la présence d'instructions relatives au fonctionnement et à la maintenance se trouvant dans le manuel fourni avec l'appareil.



Ce symbole signifie: uniquement pour usage à l'intérieur.



Ce symbole signifie : Lire le mode d'emploi.



Ce symbole signifie: appareil construit selon les normes de sécurité classe I

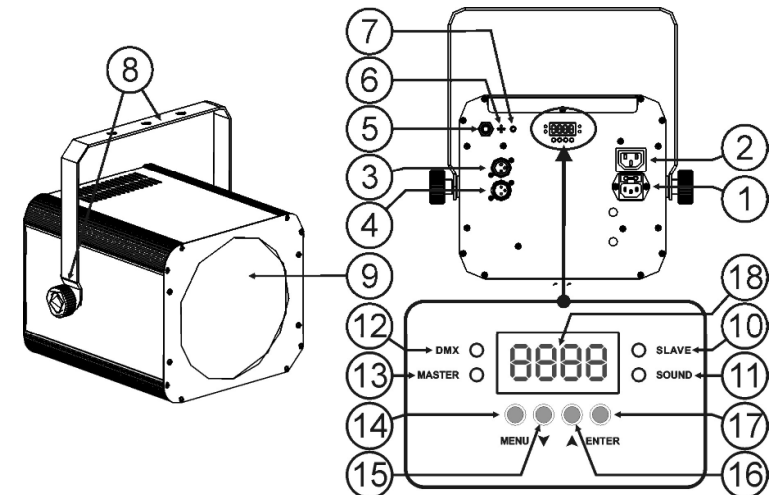


Cet appareil peut être monté sur des surfaces inflammables courantes. Font partie de ces surfaces inflammables courantes, les matériaux de construction tels que le bois et des matériaux à base de bois d'une épaisseur supérieure à 2 mm.

- Afin de protéger l'environnement, merci de recycler les emballages autant que possible.
- Afin d'éviter tout risque d'incendie ou de décharge électrique, ne pas exposer cet appareil à la pluie ou à l'humidité.
- Pour éviter la formation de condensation à l'intérieur de l'appareil, patientez quelques minutes pour laisser l'appareil s'adapter à la température ambiante lorsqu'il arrive dans une pièce chauffée après le transport. La condensation empêche l'appareil de fonctionner manière optimale, et elle peut même causer des dommages.
- Cet appareil est destiné à une utilisation à l'intérieur uniquement.
- Ne pas insérer d'objet métallique ou renverser de liquide dans l'appareil. Aucun objet contenant un liquide, tels que des vases, ne peut être placé sur cet appareil. Cela risquerait de provoquer une décharge électrique ou un dysfonctionnement. Si un corps étranger est introduit dans l'appareil, déconnectez immédiatement de la source d'alimentation.
- Aucune source de flamme nue, telle que des bougies allumées, ne peut être placée sur l'appareil.
- Placez l'appareil dans un endroit bien ventilé, éloigné de tout matériau ou liquide inflammable. L'appareil doit être fixé à 50cm minimum des murs.
- Ne pas couvrir les orifices de ventilation, un risque de surchauffe en résulterait.
- Ne pas utiliser l'appareil dans un environnement poussiéreux et le nettoyer régulièrement.
- Ne pas laisser l'appareil à portée des enfants.
- Les personnes non expérimentées ne doivent pas utiliser cet appareil.
- La température ambiante maximale d'utilisation de l'appareil est de 40°C. Ne pas l'utiliser au-delà de cette température.
- Assurez-vous que la zone au-dessous du lieu d'installation ne comporte pas de personnes non concernées pendant le montage, le démontage et les opérations de maintenance.
- Débranchez toujours l'appareil si vous ne l'utilisez pas de manière prolongée ou avant d'entreprendre des réparations.
- Les installations électriques ne peuvent être faites que par du personnel qualifié et conformément aux règlements de sécurité électrique et mécanique en vigueur dans votre pays.

- Assurez-vous que la tension d'alimentation de la source d'alimentation de la zone dans laquelle vous vous trouvez ne dépasse pas celle indiquée à l'arrière de l'appareil.
- Le cordon d'alimentation doit toujours être en parfait état. Mettez immédiatement l'unité hors tension si le cordon devait être écrasé ou endommagé. Pour éviter tout risque de choc électrique, le cordon doit être remplacé par le constructeur, son agent ou un technicien qualifié.
- Ne laissez jamais le cordon d'alimentation entrer en contact avec d'autres câbles !
- L'appareil doit être à la masse selon les règles de sécurité.
- Ne pas connecter l'unité à un variateur de lumière.
- Utilisez toujours des câbles appropriés et certifiés lorsque vous installez l'appareil.
- Pour éviter toute décharge électrique, ne pas ouvrir l'appareil. Il n'y a pas de pièces pouvant être changées par l'utilisateur à l'intérieur.
- **Ne jamais** réparer ou court-circuiter un fusible. Remplacez **systématiquement** un fusible endommagé par un fusible de même type et ayant les mêmes spécifications électriques !
- En cas de problèmes de fonctionnement sérieux, arrêtez toute utilisation de l'appareil et contactez votre revendeur immédiatement.
- La carrosserie et les lentilles doivent être remplacées si elles sont visiblement endommagées.
- Utilisez l'emballage d'origine si l'appareil doit être transporté.
- Pour des raisons de sécurité, il est interdit d'apporter une quelconque modification à l'unité non spécifiquement autorisée par les parties responsables.

Important: Ne jamais fixer directement la source de lumière ! Ne pas utiliser d'effets en présence de personnes souffrant d'épilepsie.

DESCRIPTION

1. Entrée via connecteur IEC et porte fusible intégré, branchez ici le câble d'alimentation qui est livré avec l'appareil.
2. Sortie alimentation secteur via connecteur IEC : on peut utiliser un câble spécial IEC afin de connecter cette sortie avec l'entrée secteur du MATRIX LED suivant afin de faciliter le chaînage. (max. 40 appareils)
3. Connecteur d'entrée DMX
4. Connecteur de sortie DMX
5. Prise 1/4" utilisée pour connecter le contrôleur CA-8 optionnel
6. Microphone interne
7. Réglage de sensibilité du niveau audio
8. Support de fixation, pourvu de 2 boutons de serrage (un de chaque côté de l'appareil) et d'un trou pouvant recevoir un crochet de fixation.

9. Grande lentille en vue d'obtenir une puissance lumineuse maximale, angle de dispersion de 54°
10. LED 'SLAVE' : elle est allumée quand l'appareil est en mode esclave
11. LED 'SOUND' : elle clignote suivant le rythme de la musique quand l'appareil est en mode audio
12. LED 'DMX' : elle est allumée quand l'appareil reçoit un signal DMX
13. LED 'MASTER' : elle est allumée quand l'appareil est utilisé en tant qu'appareil maître
14. Touche 'MENU' : utilisée pour sélectionner les différents chapitres du menu
15. Touche 'DOWN' : utilisée pour reculer dans le menu et pour diminuer les valeurs affichées par l'écran.
16. Touche 'UP' : utilisée pour avancer dans le menu et pour augmenter les valeurs affichées par l'écran.
17. Touche 'ENTER' : utilisée pour confirmer votre sélection.
18. L'écran montre les différents menus et les fonctions sélectionnées.

INSTALLATION EN HAUTEUR

- **Important:** L'installation doit être faite par du personnel qualifié uniquement. Une installation incorrecte peut causer des blessures sévères et/ou endommager l'appareil. L'installation en hauteur exige de l'expérience ! Les limites de charge doivent être scrupuleusement respectées, du matériel d'installation certifié doit être utilisé, et l'appareil installé doit subir des inspections de sécurité régulièrement.
- Assurez-vous que la zone au-dessous du lieu d'installation ne comporte pas de personnes non concernées lors de l'installation, la désinstallation ou la maintenance.
- Placez l'appareil dans un endroit bien ventilé, éloigné de tout matériau ou liquide inflammable. L'appareil doit être fixé à **50cm minimum** des murs situés à proximité.
- L'appareil doit être hors de portée du public et en dehors des zones de passage de personnes ou des zones où le public est installé.
- Avant l'installation, assurez-vous que la zone d'installation pourra supporter, en son point de fixation, un minimum de 10 fois le poids de l'appareil.
- Utilisez systématiquement un câble de sécurité qui peut supporter 12 fois le poids de l'appareil lors de l'installation. Ce câble de sécurité secondaire doit être installé de manière à ce qu'aucune partie de l'appareil ne puisse descendre de plus de 20 cm si le support principal tombe.
- L'appareil doit être bien fixé, un montage à balancement est dangereux et ne devrait pas être pris en considération !
- Ne pas couvrir les orifices de ventilation pour éviter tout risque de surchauffe.
- L'utilisateur doit s'assurer que les installations techniques et de sécurité sont bien approuvées par un expert avant la première utilisation. Les installations doivent être inspectées chaque année par du personnel qualifié pour assurer une sécurité optimale.

INSTALLATION ELECTRIQUE + ADRESSAGE

Important: L'installation électrique doit uniquement être effectuée par du personnel qualifié, selon la législation concernant les mesures de sécurité électriques et mécaniques en vigueur dans votre pays.

Installation électrique pour 1 appareil en fonctionnement seul:

- Installez simplement le câble secteur. L'appareil commencera à fonctionner immédiatement en mode autonome.

Remarque 1: vous pouvez brancher une commande à distance CA-8 sur l'appareil si vous souhaitez avoir plus de possibilités de contrôle. Référez-vous à la section 'Comment utiliser l'appareil' pour apprendre à effectuer cette procédure correctement.

Remarque 2: s'il n'y a pas de sortie, veuillez vous assurer que l'appareil soit bien réglé en mode 'master' (se reporter au chapitre précédent).

Installation électrique pour deux ou plusieurs appareils en maître/esclave:

- Branchez de 2 à 16 appareils au maximum ensemble en utilisant des câbles symétriques pour micro de bonne qualité. Mettez le premier appareil de la chaîne en mode 'master', les autres doivent être mis en mode esclave (SL 1 ou SL 2). Se reporter au chapitre précédent pour de plus amples informations.
- Assurez-vous que les appareils sont tous branchés sur le secteur.
- Et c'est terminé!

Remarque: vous pouvez brancher une commande à distance CA-8 sur l'appareil maître (master) si vous souhaitez avoir plus de contrôle sur le fonctionnement maître/esclave.

Installation électrique en mode DMX :

- Le protocole DMX est un signal à haute vitesse très utilisé pour contrôler des équipements de lumières

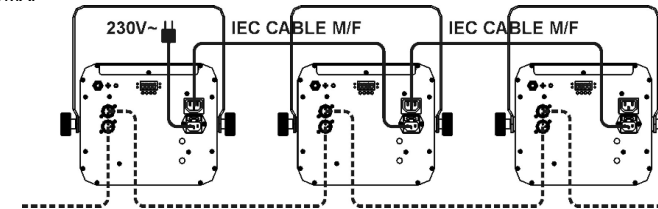
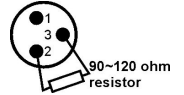
intelligents. Vous devez connecter en guirlande votre contrôleur DMX et tous les appareils avec un câble balancé de bonne qualité.

- Les deux types de connecteurs XLR, ceux à 3 broches comme ceux à 5 broches, peuvent être utilisés ; cependant, les connecteurs à 3 broches se rencontrent plus fréquemment car ils sont compatibles avec les câbles audio symétriques.

Plan de câblage des XLR à 3 broches : Broche 1 = prise de terre ~ broche 2 = signal négatif (-) ~ broche 3 = signal positif (+)

Plan de câblage des XLR à 5 broches : Broche 1 = prise de terre ~ broche 2 = signal négatif (-) ~ broche 3 = signal positif (+) ~ broches 4 et 5 : non utilisées.

- Pour éviter des comportements étranges des effets de lumières dus aux interférences, vous devez utiliser une résistance de bouclage de 90Ω à 120Ω au bout de la guirlande. Ne jamais utiliser de séparateur de câbles en forme « Y », cela ne fonctionnera pas!
- Assurez-vous que les appareils sont tous branchés sur le secteur.
- Chaque effet de lumière dans la guirlande doit avoir sa propre adresse de départ afin de savoir quelle est la commande du contrôleur il doit décoder. Dans la prochaine section, vous apprendrez à régler l'adresse DMX.



COMMENT REGLER L'ADRESSE DE DEMARRAGE EXACTE:

Référez-vous au chapitre suivant (réglage de l'adresse DMX-512) pour apprendre à régler l'adresse de départ sur cet appareil. L'adresse de départ de chaque appareil est très importante. Malheureusement il est impossible de vous expliquer dans ce mode d'emploi quel adresse de démarrage vous devez introduire car cela dépend entièrement du contrôleur que vous utiliserez ... veuillez donc vous référer au mode d'emploi de votre contrôleur DMX pour savoir quelle adresse vous devez utiliser.

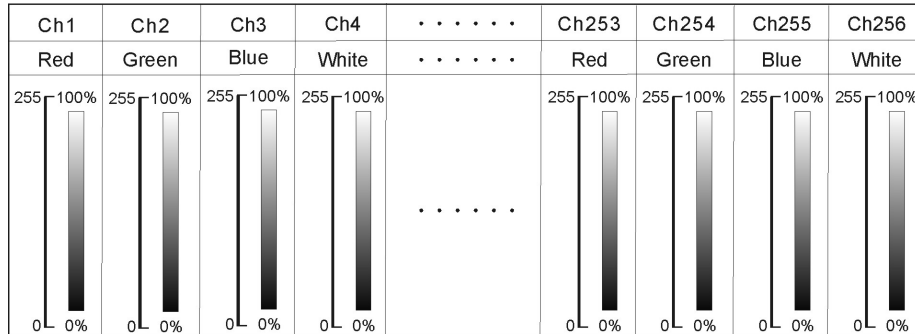
Exemples de paramétrage pour différents types de configuration DMX:

- **Mode à 1 Canal:** 001 (appareil1), 002 (appareil2), 003 (appareil3), ... → intervalles d'un canal
- **Mode à 4 Canaux:** 001 (appareil1), 005 (appareil2), 009 (appareil3), ... → intervalles de 4 canaux
- **Mode à 256 Canaux:** 001 (appareil1), 257 (appareil2) → intervalles de 256 canaux

CONFIGURATION DMX DU MATRIX LED:

MODE A 1 CANAL		MODE A 4 CANAUX				
Ch1	Ch1	Ch2	Ch3	Ch4		
Chase	Function	Pattern CH1=10-99	Chase CH1=100-239	Color CH1=10-99	Chase Speed CH1=100-239	Strobe
240-255	Random Chase	236-255 Pattern 12	236-255 Chase 12	239-255 R+G+B+W	255 Fast 0 Slow 0-9 Stop	⚡⚡⚡ ⚡⚡ ⚡
218-239	Chase 12	215-235 Pattern 11	215-235 Chase 11	222-238 G+B+W		
198-217	Chase 11	194-214 Pattern 10	194-214 Chase 10	205-221 R+B+W		
178-197	Chase 10	173-193 Pattern 9	173-193 Chase 9	188-204 R+G+W		
158-177	Chase 9	151-172 Pattern 8	151-172 Chase 8	171-187 R+G+B		
138-157	Chase 8	130-150 Pattern 7	130-150 Chase 7	154-170 B+W		
128-137	Chase 7	109-129 Pattern 6	109-129 Chase 6	137-153 G+W		
108-127	Chase 6	088-108 Pattern 5	088-108 Chase 5	120-136 G+B		
88-107	Chase 5	066-087 Pattern 4	066-087 Chase 4	103-119 R+W		
68-87	Chase 4	042-065 Pattern 3	042-065 Chase 3	086-102 R+B		
48-67	Chase 3	021-041 Pattern 2	021-041 Chase 2	069-085 R+G		
29-47	Chase 2	000-020 Pattern 1	000-020 Chase 1	052-068 W		
10-28	Chase 1			035-051 B		
0-9	OFF			018-034 G		
				000-017 R		

MODE A 256 CANAUX

**3 modes DMX sont disponibles : un mode à 1 canal, 4 canaux et 256 canaux:****Mode à 1 canal:**

Mode de fonctionnement très pratique: vous n'avez besoin que d'un seul canal DMX pour activer 1 des 11 programmes chenillard pilotés par la musique, ou pour simplement allumer ou éteindre l'effet à l'aide d'une commande style 'JB Systems effect commander' (pas besoin de switch pack).

Mode à 4 canaux:

Contrôlez toutes les fonctions et programmes de l'effet.

- Canal 1: allumez/éteignez l'appareil et sélectionnez comment les canaux 2 + 3 réagiront.
- Canal 2: en fonction du réglage du canal 1 vous pouvez sélectionner 1 des 12 modèles ou des 12 programmes chenillard.
- Canal 3: en fonction du réglage du canal 1 vous pouvez sélectionner 1 des 15 combinaisons de couleur ou déterminez une vitesse de défilement des programmes chenillard.
- Canal 4: sélectionnez la fonction stroboscopique.

Mode à 256 canaux:

Pour un maximum de souplesse et de créativité, vous pouvez programmer tous les LED de l'appareil. Veuillez noter que dans ce mode, l'appareil utilise 256 canaux DMX: programmer tant de canaux n'est aisé qu'avec un logiciel spécialement adapté sur PC.

COMMENT REGLER L'APPAREIL:**MENU PRINCIPAL:**

- Pour sélectionner une option du menu, appuyez sur la touche **MENU** jusqu'à ce que la fonction désirée apparaisse à l'écran.
- Sélectionnez la fonction à l'aide de la touche **ENTER**. L'écran clignotera.
- Utilisez les touches **DOWN** et **UP** pour choisir dans le menu l'option désirée.
- Dès que vous avez sélectionné l'option désirée dans le menu, appuyez sur la touche **ENTER** pour confirmer.
- Appuyez pendant environ 2 secondes sur la touche **MENU** pour retourner au mode de fonctionnement. Vous trouverez la structure du menu ci-dessous.

Addr Réglage de l'adresse DMX512

Est utilisé pour régler l'adresse de départ dans une configuration DMX.

- Appuyez sur la touche **MENU** jusqu'à ce que **Addr** soit affiché à l'écran.
- Appuyez sur la touche **ENTER**, l'écran commence à clignoter.
- Utilisez les touches **DOWN** et **UP** pour changer l'adresse DMX512.
- Quand l'adresse désirée est affiché à l'écran, appuyez sur la touche **ENTER** pour confirmer votre choix. (Où il retournera automatiquement aux fonctions principales sans aucune modification après 8 secondes)
- Appuyez pendant environ 2 secondes sur la touche **MENU** pour retourner au mode de fonctionnement.

Chnd Channel Mode (Mode canal)

Est utilisé pour définir le nombre de canaux DMX.

- Appuyez sur la touche **MENU** jusqu'à ce que les lettres **Chnd** soient affichées par l'écran.
- Appuyez sur la touche **ENTER**, ce qui a pour conséquence que l'écran commence à clignoter.
- Utilisez les touches **DOWN** et **UP** pour sélectionner le mode **1Ch** (1 Canal), **4Ch** (4 Canaux) ou **256Ch** (256 Canaux).

Une fois que le mode est sélectionné, appuyez sur la touche **ENTER** pour confirmer (ou vous retourneriez vers les fonctions principales si aucune activité n'est détectée par l'appareil pendant 8 secondes)

- Appuyez pendant environ 2 secondes sur la touche **MENU** pour retourner au mode de fonctionnement.

SLnd Mode de fonctionnement

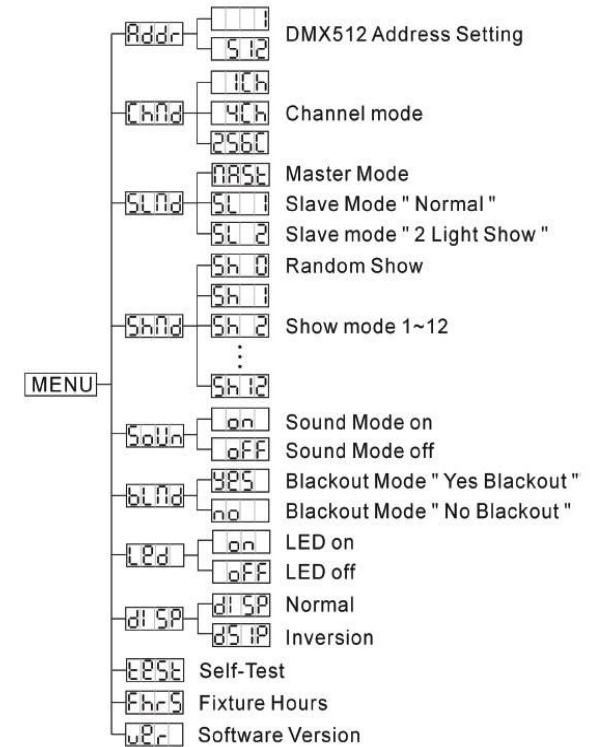
Utilisé pour mettre l'appareil en mode 'master' (maître) ou 'slave' (esclave).

- Appuyez sur la touche **MENU** jusqu'à ce que **SLnd** est affiché à l'écran.
 - Appuyez sur la touche **ENTER**, le mode de fonctionnement en cours commence à clignoter à l'écran.
 - Utilisez les touches **DOWN** et **UP** pour sélectionner **MAST** (master), **SL** (esclave synchronisé au master) ou **SL2** (esclave synchronisé en opposition par rapport au master).
- Dès que le mode de fonctionnement est affiché à l'écran, appuyez sur la touche **ENTER** pour confirmer votre choix.
- Appuyez pendant environ 2 secondes sur la touche **MENU** pour retourner au mode de fonctionnement.

Shnd Show Mode

Mode utilisé pour sélectionner l'un des shows préprogrammés quand on est en mode 'standalone' (autonome) ou en mode 'master/slave' (maître/esclave).

- Appuyez sur la touche **MENU** jusqu'à ce que **Shnd** est affiché à l'écran.
- Appuyez sur la touche **ENTER**, le show en mémoire commence à clignoter à l'écran.
- Utilisez les touches **DOWN** et **UP** pour sélectionner un des 8 shows préprogrammés :
 - **Sh 0** → tous les shows sont présentés en mode aléatoire
 - **Sh 1** à **Sh 12** → 12 shows préprogrammés
- Une fois le show sélectionné, appuyez sur la touche **ENTER** pour confirmer.
- Appuyez pendant environ 2 secondes sur la touche **MENU** pour retourner au mode de fonctionnement.



SOUND Mode Son

Est utilisé pour définir si le show sera contrôlé par le micro intégré ou non.

- Appuyez sur la touche MENU jusqu'à ce que **SOUND** est affiché à l'écran.
- Appuyez sur la touche ENTER.
- Utilisez les touches DOWN et UP pour sélectionner un des modes de contrôle:
 - ON** (mode son ACTIVÉ) → le show sera piloté par le micro intégré.
 - OFF** (mode son DESACTIVÉ) → le show sera piloté par la vitesse qui a été programmée avec le show.
- Appuyez sur ENTER pour confirmer votre choix.
- Appuyez pendant environ 2 secondes sur la touche MENU pour retourner au mode de fonctionnement.

BLND Mode Black out

Black out mode: quand aucun signal DMX est détecté, l'appareil se met en black out.

Mode « pas de black-out »: quand aucun signal DMX n'est détecté, l'appareil se met automatiquement à fonctionner en mode master.

- Appuyez sur la touche MENU jusqu'à ce que **BLND** soit affiché à l'écran.
- Appuyez sur la touche ENTER, la sélection en mémoire commence à clignoter à l'écran.
- Utilisez les touches DOWN et UP pour sélectionner 'YES' (mode black out) ou 'NO' (mode sans black out).
- Dès que le mode de fonctionnement est affiché à l'écran, appuyez sur la touche ENTER pour confirmer votre choix.
- (Où il retournera automatiquement aux fonctions principales sans aucune modification après 8 secondes)
- Appuyez pendant environ 2 secondes sur la touche MENU pour retourner au mode de fonctionnement.

LED Led Display

Display on: l'écran est toujours allumé.

Display off: l'écran est éteint quand il n'est pas utilisé.

- Appuyez sur la touche MENU jusqu'à ce que l'écran affiche **LED**.
- Appuyez sur la touche ENTER, l'écran commence à clignoter.
- Utilisez les touches DOWN et UP pour sélectionner **ON** (écran toujours allumé) ou **OFF** (écran éteint si pas utilisé).
- Dès que le mode de fonctionnement est affiché à l'écran, appuyez sur la touche ENTER pour confirmer votre choix.
- (Où il retournera automatiquement aux fonctions principales sans aucune modification après 8 secondes)
- Appuyez pendant environ 2 secondes sur la touche MENU pour retourner au mode de fonctionnement.

DISP Inversion Display

- Display normal: possibilité de lire ce qui est affiché à l'écran quand l'appareil est posé par terre.
- Display inversion: possibilité de lire ce qui est affiché à l'écran quand l'appareil est suspendu.
- Appuyez sur la touche MENU jusqu'à ce que **DISP** clignote sur l'écran. (affichage normal)
- Utilisez la touche ENTER pour changer l'affichage **DISP** (affichage inversé), l'option sera automatiquement enregistrée après 8 secondes. Ou appuyez à nouveau sur la touche ENTER pour retourner à l'affichage normal **DISP**
- Pour retourner vers les fonctions, appuyez sur la touche MENU.

TEST Self-Test

- Appuyez sur la touche MENU jusqu'à ce que l'écran affiche **TEST**.
- Appuyez sur la touche ENTER: l'appareil effectuera son programme de contrôle 'self-test'.
- Pour retourner aux fonctions, appuyez sur la touche MENU.

Fhrs Fixture Hours

Vous communique le nombre d'heures de service de l'appareil.

- Appuyez sur la touche MENU jusqu'à ce que l'écran affiche **Fhrs**.
- Appuyez sur la touche ENTER pour que l'appareil affiche le nombre d'heures de service à l'écran.
- Pour retourner aux fonctions, appuyez sur la touche MENU.

VER Version du software

Fonction utilisée pour montrer sous quelle version du software fonctionne l'appareil.

- Appuyez sur la touche MENU jusqu'à ce que l'écran affiche **VER**.
- Appuyez sur la touche ENTER pour afficher sous quelle version du software fonctionne l'appareil
- Pour retourner aux fonctions, appuyez sur la touche MENU.

COMMENT UTILISER L'APPAREIL

Vous pouvez utiliser l'appareil selon 3 façons:

- En utilisant les programmes intégrés maître/esclave
- En utilisant le petit contrôleur
- En utilisant un contrôleur DMX universel (1, 4 & 256 canaux DMX)

EN UTILISANT LES PROGRAMMES INTÉGRÉS MAÎTRE/ESCLAVE:

Sélectionnez cette fonction si vous voulez un show instantané. En reliant tous les appareils selon le principe maître/esclave, le premier appareil contrôlera tous les autres appareils en effectuant un show automatique et synchronisé au rythme de la musique. Rien ne sera branché à son entrée DMX et sa LED « master » sera constamment allumée, tandis que la LED « sound » clignotera au rythme de la musique.

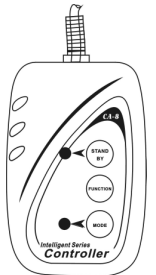
Important ! Cette fonction n'est opérationnelle que quand le mode black out du menu de l'appareil maître est OFF (désactivé), sans quoi, rien ne se passe ! Pour en savoir plus à propos de cette option, se reporter au chapitre 'Comment régler l'appareil'.

- Le MASTER dispose de 12 shows préprogrammés :** on peut sélectionner du **SH0** (show 0) au **SH12** (show 12) directement dans le menu de l'appareil maître.
- Les appareils esclaves possèdent 2 options:** les autres appareils sont réglés en mode esclave (la LED « slave » est constamment allumée). Afin de créer un magnifique show vous pouvez introduire des mouvements contrastés → dans le menu des appareils esclaves vous pouvez aller à l'option **SLND** et sélectionner:
 - SL1** → **Normal slave:** l'appareil esclave fonctionne de façon synchronisée par rapport à l'appareil maître.
 - SL2** → **2 light show:** l'appareil esclave fonctionne en opposition par rapport à l'appareil maître.

EN UTILISANT LE CONTRÔLEUR CA-8:

Si vous utilisez l'appareil en mode maître/esclave nous vous recommandons d'utiliser le contrôleur CA-8. Connectez ce petit contrôleur à l'entrée jack 1/4" de l'appareil maître. Ceci vous permettra de contrôler les fonctions suivantes:

Standby	Blackout the unit	
Functio n	1/ Strobo sonore blanc 2/ Strobo sonore couleur	Sélection Show 1-12
Mode	Son/Strobo (LED éteinte)	Couleur (LED allumée)

**MAINTENANCE**

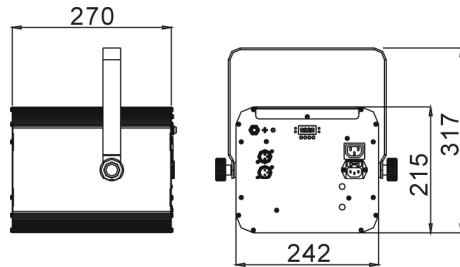
- Assurez-vous que la zone au-dessous du lieu d'installation ne comporte pas de personnes non concernées lors de la maintenance
- Mettez l'appareil hors tension, débranchez le cordon d'alimentation et attendez que l'appareil ait refroidi.
- Pendant l'inspection, les points suivants doivent être vérifiés :**
- Toutes les vis utilisées pour l'installation de l'appareil ou de chacune de ses pièces doivent être bien fixées et non corrodées.
- Les niches, fixations et structures de support (plafond, poutres, suspensions) doivent être totalement intactes, sans aucune déformation.
- Lorsqu'une lentille optique est visiblement endommagée (fissure ou éraflures profondes), elle doit être remplacée.
- Les câbles doivent être en parfait état et doivent être remplacés immédiatement en cas de détection d'un problème, même bénin.

- Pour protéger l'appareil de toute surchauffe, les ventilateurs (le cas échéant) et les orifices de ventilation doivent être nettoyés tous les mois.
- L'intérieur de l'appareil doit être nettoyé chaque année à l'aide d'un aspirateur ou d'un pistolet à air.
- Le nettoyage des lentilles optiques internes et externes et/ou des miroirs doit être effectué périodiquement pour optimiser la production de lumière. La fréquence de nettoyage dépend de l'environnement dans lequel l'appareil fonctionne: des environnements humides, enfumés ou particulièrement sales peuvent entraîner une accumulation de saletés plus importante sur les parties optiques de l'appareil.
 - Nettoyez à l'aide d'un chiffon doux avec des produits de nettoyage pour verres normaux.
 - Séchez toujours les parties soigneusement.
 - Nettoyez les optiques externes au moins une fois tous les 30 jours.
 - Nettoyez les optiques internes au moins une fois tous les 90 jours.

Attention: Nous vous recommandons fortement de faire exécuter le nettoyage interne par du personnel qualifié !

SPECIFICATIONS

Alimentation:	CA 230V, 50Hz
Consommation :	29 watts
Fusible:	250V 6,3A lente (20mm verre)
Contrôle du son:	microphone interne
Connexions DMX:	connecteurs XLR mâle / femelle à 3 broches
Canaux DMX utilisés :	1, 4 ou 256 canaux
Ampoules:	256 LED (64rouges + 64vertes + 64bleues + 64blanches)
Dimensions:	270 x 242 x 317mm
Poids:	3,8kg



Chacune de ces informations peut être modifiée sans avertissement préalable. Vous pouvez télécharger la dernière version de ce mode d'emploi de notre site Web: www.beglec.com

GEBRUIKSAANWIJZING

Hartelijk dank voor de aankoop van dit JB Systems® product. Om ten volle te kunnen profiteren van alle mogelijkheden en voor uw eigen veiligheid, gelieve de aanwijzingen zeer zorgvuldig te lezen voor U begint het apparaat te gebruiken.

DOOR U OP ONZE MAILINGLIJST IN TE SCHRIJVEN ONTVANGT U STEEDS DE LAATSTE INFORMATIE OVER ONZE PRODUCTEN: NIEUWIGHEDEN, SPECIALE ACTIES, OPENDEURDAGEN, ENZ.
 → SURF NAAR: WWW.BEGLEC.COM ←

KARAKTERISTIEKEN

In dit apparaat is radio-interferentie onderdrukt. Dit product voldoet aan de gangbare Europese en nationale voorschriften. Het is vastgesteld dat het apparaat er zich aan houdt en de desbetreffende verklaringen en documenten zijn door de fabrikant afgegeven.

- Het toestel is ontworpen om decoratieve lichteffecten te produceren en kan eventueel worden gebruikt in lichtshows.
- Een zeer krachtig, overweldigend, LED effect.
- Via DMX kan elke LED van de 256 aanwezige power LEDs (R=64 + G=64 + B=64 + W=64) afzonderlijk aangestuurd worden om alzo de meest verbluffende effecten te bekomen!
- Via de LED display kunt u verschillende werkmodi kiezen:
 - Standalone: muziekgestuurde shows via de ingebouwde microfoon
 - Master/slave: prachtige synchrone shows
 - CA-8 controller apart verkrijgbaar
 - Verschillende DMX modi:
 - Via 256 DMX kanalen kunt u indrukwekkende tekstfiguren, geometrische figuren, dynamische scan/rol/rotatie en zoom effecten ontwerpen!
 - Via 1 DMX kanaal voor een gemakkelijk gebruik.
 - Via 4 DMX kanalen voor een volledige controle over alle ingebouwde programma's.
- Zeer heldere kleuren in vergelijking met effecten die werken met een halogeenlamp
- Geen lampen te vervangen!
- Bijna geen warmteontwikkeling + zeer laag verbruik
- Dimmer (0-100%) en uiterst snelle strobe functie.
- Uitgerust met een grote optische lens voor een maximale lichtopbrengst en een brede stralingshoek van 54°

VOOR DE IN GEBRUIKNAME

Controleer voor het eerste gebruik van het apparaat of het tijdens het transport beschadigd werd. Mocht er schade zijn, gebruik het dan niet, maar raadpleeg eerst uw dealer.

Belangrijk: Dit apparaat verliet de fabriek in uitstekende staat en goed verpakt. Het is erg belangrijk dat de gebruiker de veiligheidsaanwijzingen en raadgevingen in deze gebruiksaanwijzing uiterst nauwkeurig volgt. Elke schade veroorzaakt door verkeerd gebruik van het apparaat valt niet onder de garantie. De dealer aanvaardt geen verantwoordelijkheid voor mankementen en problemen die komen door het veronachtzamen van deze gebruiksaanwijzing.

Bewaar deze brochure op een veilige plaats om hem in de toekomst nogmaals te kunnen raadplegen. Indien U het apparaat verkoopt, denkt U er wel aan om de gebruiksaanwijzing bij te voegen.

Controleer de inhoud:

Controleer of de doos volgende onderdelen bevat:

- Handleiding
- MATRIX LED
- Voedingskabel

VEILIGHEIDSVOORSCHRIFTEN:



CAUTION
RISK OF ELECTRIC SHOCK
DO NOT OPEN



WAARSCHUWING: Om het risico op elektrocutie zoveel mogelijk te vermijden mag u nooit de behuizing verwijderen. Er bevinden zich geen onderdelen in het toestel die u zelf kan herstellen. Laat de herstellingen enkel uitvoeren door een bevoegde technicus.



De bliksempijl die zich in een gelijkbenige driehoek bevindt is bedoeld om u te wijzen op het gebruik of de aanwezigheid van niet-geïsoleerde onderdelen met een "gevaarlijke spanning" in het toestel die voldoende kracht heeft om een risico van elektrocutie in te houden.



Het uitroepteken binnen de gelijkbenige driehoek is bedoeld om de gebruiker erop te wijzen dat er in de meegeleverde literatuur belangrijke gebruik en onderhoudsinstructies vermeld staan betreffende dit onderdeel.



Dit symbool betekent: het apparaat mag enkel binnenhuis worden gebruikt.



Dit symbool betekent: Lees de handleiding!



Dit symbool betekent: Klasse I apparaten



Dit symbool bepaalt: de minimumafstand van te belichten voorwerpen. De minimumafstand tussen projector en het verlichte voorwerp moet meer dan 0,5 meter bedragen.



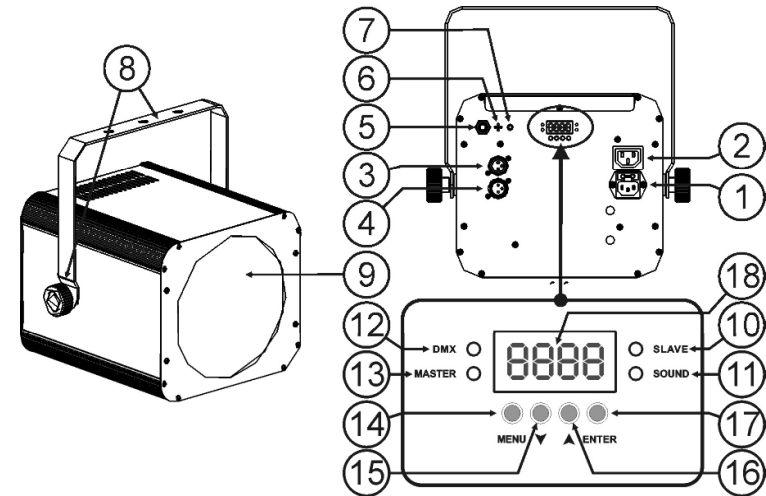
Het toestel is geschikt om gemonteerd te worden op standaard ontvlambare oppervlakten. Standaard ontvlambare oppervlakten omvatten bouwmaterialen zoals hout en houtbevattende materialen van meer dan 2mm dik

- Bescherm het milieu, probeer zoveel mogelijk het verpakkingsmateriaal te recycleren.
- Stel dit apparaat niet bloot aan regen of vocht, dit om het risico op brand en elektrische schokken te voorkomen.
- Om de vorming van condensatie binnenin te voorkomen, laat het apparaat aan de omgevingstemperatuur wennen wanneer het, na het transport, naar een warm vertrek is overgebracht. Condensatie kan het toestel soms verhinderen perfect te functioneren. Het kan soms zelfs schade aan het apparaat toebrengen.
- Gebruik dit apparaat uitsluitend binnenshuis.
- Plaats geen stukken metaal en mors geen vocht binnen in het toestel om elektrische schokken of storing te vermijden. Indien een vreemd voorwerp in het apparaat geraakt, moet U het direct van het lichtnet afkoppelen.
- Plaats de installatie op een plaats met goede ventilatie, ver van brandbare materialen en/of vloeistoffen. De installatie moet op minstens 50 cm van de muren rondom geplaatst worden.
- Bedek geen enkele ventilatieopening om oververhitting te vermijden.
- Zorg dat het toestel niet in een stoffige omgeving wordt gebruikt en maak het regelmatig schoon.
- Houd het apparaat uit de buurt van kinderen.
- Dit apparaat mag niet door onervaren personen bediend worden.
- De maximum veilige omgevingstemperatuur is 40°C. Gebruik het apparaat dus niet bij hogere temperaturen.
- Verzekert er U van dat er zich onder de plaats waar het toestel wordt geïnstalleerd geen ongewenste personen bevinden tijdens het bevestigen en losmaken alsook bij het onderhoud.
- Trek altijd de stekker uit wanneer het apparaat gedurende langere tijd niet wordt gebruikt of alvorens te beginnen met de onderhoudsbeurt.
- De elektrische installatie behoort uitsluitend uitgevoerd te worden door bevoegd personeel, volgens de in uw land geldende regels betreffende elektrische en mechanische veiligheid.
- Controleer dat de beschikbare spanning niet hoger is dan die aangegeven op de achterzijde van het toestel.
- De elektrische kabel behoort altijd in uitstekende staat te zijn. Zet het apparaat onmiddellijk af als de elektrische kabel gekneusd of beschadigd is. De kabel moet vervangen worden door de fabrikant zelf, zijn dealer of vergelijkbare bekwame personen om een brand te voorkomen.
- Laat de elektrische draad nooit in contact komen met andere draden.
- Volgens de veiligheidsvoorschriften moet deze installatie geaard worden.
- Sluit het apparaat niet aan op een elektronische dimmer.
- Gebruik altijd een geschikte en gekeurde veiligheidskabel bij het installeren van het toestel.

- Om elektrische schokken te voorkomen, moet U de behuizing niet openen. Er zitten geen onderdelen in het toestel die door de gebruiker moeten worden onderhouden.
- Repareer **nooit** een zekering en overbrug de zekeringhouder nooit. Vervang een beschadigde zekering **steeds** door een zekering van hetzelfde type en met dezelfde elektrische kenmerken.
- In geval van ernstige problemen met het bedienen van het toestel, stopt U onmiddellijk het gebruik ervan. Contacteer uw dealer voor een eventuele reparatie.
- De behuizing en de lenzen moeten vervangen worden als ze zichtbaar beschadigd zijn.
- Gebruik best de originele verpakking als het toestel vervoerd moet worden.
- Om veiligheidsredenen is het verboden om wijzigingen aan het toestel aan te brengen.

Belangrijk: Kijk nooit rechtstreeks in de lichtbron. Gebruik het lichteffect niet in aanwezigheid van personen die lijden aan epilepsie.

BESCHRIJVING:



1. Voedingsingang met IEC aansluiting en ingebouwde zekeringhouder: sluit hier de meegeleverde voedingskabel aan.
2. Voedingsuitgang met IEC aansluiting: hier kunt u via een speciale IEC stroomkabel een andere MATRIX LED van stroom voorzien. Er mogen max 40 van deze toestellen gelinkt worden
3. DMX ingang
4. DMX uitgang
5. 1/4" Jack aansluiting voor de optionele CA-8 hand controller
6. Ingebouwde microfoon
7. Regeling van de ingangsgevoeligheid van de microfoon
8. Ophangbeugel met 2 spanknoppen waarop een universele montagehaak kan bevestigd worden.
9. Grote optische lens voor een maximum lichtopbrengst en een brede stralingshoek van 54°
10. Slave LED: is aan wanneer het toestel in slave modus staat
11. Sound LED: knippert op het ritme van de muziek wanneer het toestel in audio modus werkt
12. DMX LED: is aan wanneer het toestel een DMX signaal ontvangt
13. Master LED: is aan wanneer het toestel als master werkt
14. MENU toets: wordt gebruikt om in de verschillende menu's te overlopen
15. DOWN toets: om het menu achterwaarts te overlopen of om de waarden op de display te verlagen.
16. UP toets: om verder te gaan in het menu of om de waarden op de display te verhogen.
17. ENTER toets: wordt gebruikt om uw keuze te bevestigen.
18. DISPLAY geeft de verschillende menu's en selecties weer.

OPHANGEN VAN HET APPARAAT

- **Belangrijk:** De installatie van het toestel mag uitsluitend door bekwaam onderhoudspersoneel uitgevoerd worden. Onjuiste plaatsing kan ernstige letsels en/of schade aan eigendommen tot gevolg hebben. Het ophangen vergt veel ervaring. U behoort de grenzen te respecteren aan de werklast; erkende installeringmaterialen moeten worden gebruikt; de veiligheid van het geïnstalleerde toestel moet regelmatig worden gecontroleerd.
- Overtuig U ervan dat het gebied onder installatieplaats vrij is van ongewenste personen tijdens het plaatsen, het weghalen en het onderhoud.
- Installeer het toestel op een goed geventileerde plaats, ver van brandbare stoffen en/of vloeistoffen. Het toestel moet worden bevestigd op **minstens 50 cm** van de omringende muren.
- Het toestel moet worden geïnstalleerd buiten het bereik van iedereen en weg van plaatsen waar men mag lopen en zitten.
- Alvorens tot plaatsen over te gaan, moet men controleren dat de minimum puntbelasting van de installatieplaats 10 keer het gewicht van het toestel bedraagt.
- Gebruik bij het installeren van het toestel altijd een gewaarmerkte veiligheidskabel die 12 keer het gewicht van het toestel kan dragen. Deze bijkomende veiligheidsbevestiging moet zo worden aangebracht dat geen deel van het toestel meer dan 20 cm vallen kan als de hoofdveiliging faalt.
- Het apparaat moet goed worden vastgezet; aan een vrij zwaaiende montage mag zelfs niet gedacht worden.
- Bedek geen ventilatieopeningen, anders zou dit oververhitting tot gevolg kunnen hebben.
- De gebruiker moet er zich van verzekeren dat de installaties met betrekking tot de veiligheid en de technische mechaniek door een expert zijn goedgekeurd alvorens ze voor de eerste keer te gebruiken. Elk jaar moeten de installaties worden gekeurd door een vakman om te controleren of de veiligheid nog steeds perfect is.

ELEKTRISCHE INSTALLATIE + ADRESSERING

Belangrijk: De elektrische installatie zou alleen uitgevoerd moeten worden door een bekwaam persoon volgens de voorschriften voor elektrische en mechanische veiligheid in uw land.

Electrische installatie van 1 standalone toestel:

- Verbind gewoon de stroomkabel met het net. Het toestel start onmiddellijk op in stand-alone mode.
- **Opmerking1:** u kunt een CA-8 remote controller aansluiten indien u een betere controle over het toestel wilt hebben. Zie "how to operate the unit".
- **Opmerking2:** indien er niets gebeurt moet u controleren of het toestel wel degelijk in master mode staat, (zie vorig hoofdstuk)

Electrische installatie van 2 of meer toestellen in master/slave:

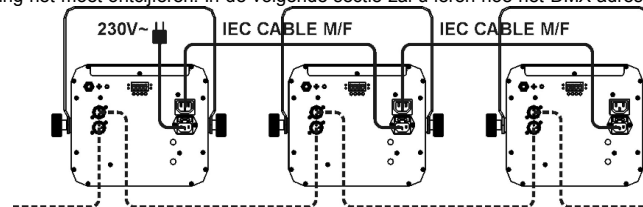
- Verbind 2 tot maximum 16 toestellen met mekaar door middel van symmetrische microfoonkabels van goede kwaliteit. Zet het eerste toestel in Master Mode, alle andere toestellen moeten in slave mode (SL1 of SL2) staan . Zie vorig hoofdstuk voor meer informatie.
- Controleer of alle toestellen op het stroomnet zijn aangesloten.
- Klaar!
- **Opmerking:** u kunt een CA-8 remote controller op het 'Master' toestel aansluiten indien u een betere controle over het toestel wenst te hebben.

Electrische installatie in DMX modus

- Het DMX-protocol is een breed gebruikt hogesnelheidssignaal om lichtuitrustingen te bedienen. U moet uw DMX bediening en alle units met een gebalanceerde kabel van goede kwaliteit doorverbinden.
- Zowel de XLR-3pin als XLR-5pin connector worden gebruikt, echter de XLR-3pin is populairder want deze kabels zijn compatible met gebalanceerde audio kabels.
Pin layout XLR-3pin: Pin1 = GND ~ Pin2 = Negatief signaal (-) ~ Pin3 = Positief signaal (+)
Pin layout XLR-5pin: Pin1 = GND ~ Pin2 = Negatief signaal (-) ~ Pin3 = Positief signaal (+) ~ Pins4+5 niet in gebruik.
- Om vreemd gedrag van de lichteffecten, veroorzaakt door storing, te voorkomen, moet u een afsluitweerstand van 90Ω tot 120Ω aan het eind van de keten gebruiken. Gebruik nooit een Y-splittkabel, dit zal eenvoudig niet werken!
- Weet zeker dat alle units op het lichtnet zijn aangesloten.



- Elk lichteffect in de keten heeft een eigen DMX startadres nodig zodat het weet welke commando's van de bediening het moet ontcijferen. In de volgende sectie zal u leren hoe het DMX adres in te stellen.



• HOE HET CORRECTE STARTADRES INSTELLEN:

In het volgende hoofdstuk wordt beschreven hoe u het adres op dit toestel moet instellen (DMX-512 adres instellen). Het startadres van elk toestel is zeer belangrijk. Het is echter onmogelijk u mede te delen welk start adres u zou moeten gebruiken aangezien dit volledig afhangt van de controller die u gaat gebruiken... Gelieve hiervoor de handleiding van uw DMX-controller te raadplegen.

Voorbeelden van instellingen voor de verschillende kanaalconfiguraties:

- **1 kanaalsmodus:** 001 (toestel1), 002 (toestel2), 003 (toestel3), ... → intervals van 1 kanaal
- **4 kanaalsmodus:** 001 (toestel1), 005 (toestel 2), 009 (toestel3), ... → intervals van 4 kanalen
- **256 kanaalsmodus:** 001 (toestel1), 257 (toestel2) → intervals van 256 kanalen

DMX-CONFIGURATIE VAN DE MATRIX LED:

1 KANAAL		4 KANALEN				
Ch1	Ch1	Ch2	Ch3	Ch4		
Chase	Function	Pattern CH1=10-99	Chase CH1=100-239	Color CH1=10-99	Chase Speed CH1=100-239	Strobe
240-255	Random Chase	236-255 Pattern 12	236-255 Chase 12	239-255 R+G+B+W	255 Fast	⚡⚡⚡
218-239	Chase 12	215-235 Pattern 11	215-235 Chase 11	222-238 G+B+W		
198-217	Chase 11	194-214 Pattern 10	194-214 Chase 10	205-221 R+B+W	10-255	⚡⚡
178-197	Chase 10	173-193 Pattern 9	173-193 Chase 9	188-204 R+G+W		
158-177	Chase 9	151-172 Pattern 8	151-172 Chase 8	171-187 R+G+B		
138-157	Chase 8	130-150 Pattern 7	130-150 Chase 7	154-170 B+W		
128-137	Chase 7	109-129 Pattern 6	109-129 Chase 6	120-136 G+B		
108-127	Chase 6	088-108 Pattern 5	088-108 Chase 5	103-119 R+W		
88-107	Chase 5	066-087 Pattern 4	066-087 Chase 4	086-102 R+B		
68-87	Chase 4	042-065 Pattern 3	042-065 Chase 3	069-085 R+G		
48-67	Chase 3	021-041 Pattern 2	021-041 Chase 2	052-068 W		
29-47	Chase 2	000-020 Pattern 1	000-020 Chase 1	035-051 B		
10-28	Chase 1			018-034 G	0-9 Stop	⚡
0-9	OFF			000-017 R		

256 KANALEN

Ch1	Ch2	Ch3	Ch4	...	Ch253	Ch254	Ch255	Ch256
Red	Green	Blue	White	...	Red	Green	Blue	White
255 100%	255 100%	255 100%	255 100%		255 100%	255 100%	255 100%	255 100%
0 0%	0 0%	0 0%	0 0%		0 0%	0 0%	0 0%	0 0%

3 DMX modi zijn beschikbaar: 1CH, 4CH en 256CH:

1 channel mode:

Zeer gebruiksvriendelijke werkmodus: u heeft slechts 1 DMX kanaal nodig om 1 van de 11 voorgeprogrammeerde sound chases op te roepen, of u kunt het toestel gewoon aan en uit zetten via een controller zoals onze Effect Commander (geen switch packs nodig).

4 channel mode:

Zo beschikt u over de totale controle van alle voorgeprogrammeerde functies en effecten van het toestel.

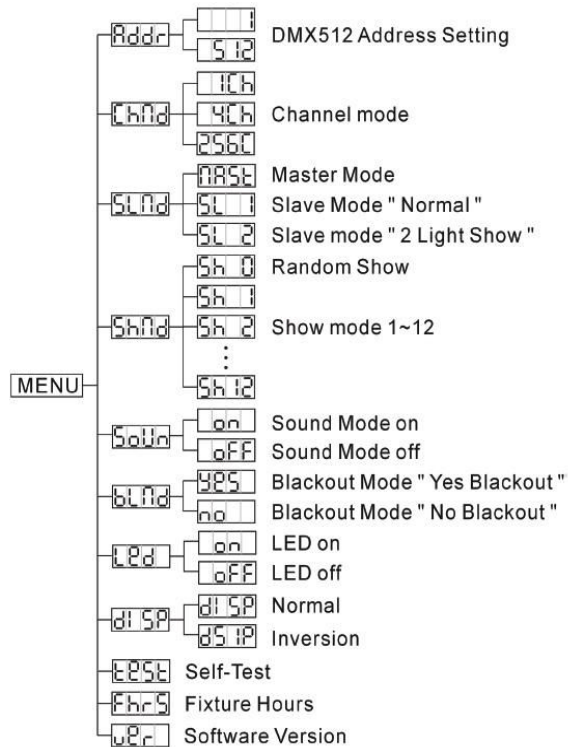
- Kanaal 1: schakel het toestel aan/uit en kies hoe de kanalen 2 + 3 moeten werken.
- Kanaal 2: afhankelijk van de instelling van kanaal 1 kunt u 1 van de 12 patronen of chases kiezen
- Kanaal 3: afhankelijk van de instelling van kanaal 1 kunt u 1 van de 15 kleurcombinaties kiezen of een Chase snelheid instellen.
- Kanaal 4: kies de gewenste strobe frequentie.

HOE INSTELLEN:

HOOFDMENU:

- Druk op de **MENU** toets tot het gewenste menu op het scherm verschijnt.
- Selecteer de functie door op de **ENTER** toets te drukken. De display zal beginnen knipperen.
- Gebruik de **DOWN** en **UP** toetsen om de gewenste menu optie te kiezen.
- Druk daarna op de **ENTER** toets om de selectie te bevestigen.
- Druk gedurende 2 seconden op de **MENU** toets om de instellingen op te slaan en terug te keren naar de normale werkmodus.

Om terug te keren naar de functies zonder enige verandering kunt u gewoon 8 seconden wachten. De menu structuur wordt hiernaast weergegeven.



Addr DMX512 adres instellen

Bepaalt het startadres in de DMX opstelling.

- Druk op de **MENU** toets tot **Addr** wordt weergegeven op de display.
- Druk op de **ENTER** toets, de display begint te knipperen.
- Gebruik de **DOWN** en **UP** toetsen om het DMX512 adres te veranderen.
- Wanneer het gewenste adres op de display verschijnt moet u dit bevestigen door op de **ENTER** toets te drukken. (indien u dit niet doet wordt er na 8 seconden terug overgegaan naar het hoofdmenu zonder de veranderingen op te slagen)
- Druk gedurende ongeveer 2 seconden op de **MENU** toets om naar de werkingsmodus terug te keren.

Chnd Channel Mode

Wordt gebruikt om het aantal DMX kanalen in te stellen.

- Druk op de **MENU** toets tot **Chnd** wordt weergegeven op de display.
- Druk op de **ENTER** toets, de display begint te knipperen.

- Gebruik de **DOWN** en **UP** toetsen om de 1-kanaals **1CH**, de 4-kanaals **4CH** of de 256-kanaals **256CH** modus te kiezen.
- Druk daarna op de **ENTER** toets om uw keuze te bevestigen. (indien u dit niet doet wordt er na 8 seconden terug overgegaan naar het hoofdmenu zonder de veranderingen op te slagen)
- Druk gedurende ongeveer 2 seconden op de **MENU** toets om naar de werkingsmodus terug te keren.

Slnd Werkmodus

Om het toestel als master of als slave te laten werken.

- Druk op de **MENU** toets tot **Slnd** op de display wordt weergegeven.
- Druk op de **ENTER** toets, de gebruikte modus begint te knipperen op de display
- Gebruik de **DOWN** en **UP** toetsen om de 'master' **mas** of 'slave' synchron met de master' **sl** of 'slave asynchroon met de master' **sl** werkmodus te kiezen.
- Bevestig uw keuze door op de **ENTER** toets te drukken. (indien u dit niet doet wordt er na 8 seconden terug overgegaan naar het hoofdmenu zonder de veranderingen op te slagen)
- Druk gedurende ongeveer 2 seconden op de **MENU** toets om naar de werkingsmodus terug te keren.

Shnd Show Mode

Wordt gebruikt om één van de voorgeprogrammeerde shows te selecteren wanneer het toestel autonoom of in master/slave wordt gebruikt.

- Druk op de **MENU** toets tot **Shnd** wordt weergegeven op de display.
- Druk op de **ENTER** toets, de show welke in gebruik is begint te knipperen op de display.
- Gebruik de **DOWN** en **UP** toetsen om één van de voorgeprogrammeerde shows te kiezen:
 - **sh 0** → alle shows worden in willekeurige volgorde vertoond.
 - **sh 1** tot **sh 12** → 12 verschillende ingebouwde shows.
- Nadat de gewenste show is geselecteerd drukt u op de **ENTER** knop om te bevestigen.
- Druk gedurende ongeveer 2 seconden op de **MENU** toets om naar de werkingsmodus terug te keren.

Soun Sound Mode

- Druk op de **MENU** toets tot **Soun** wordt weergegeven op de display.
- Druk op de **ENTER** toets om uw selectie te maken.
- Gebruik de **DOWN** en **UP** toetsen om een van de beschikbare modi te kiezen:
 - **on** (sound mode AAN) → de shows worden gestuurd via de ingebouwd microfoon.
 - **off** (sound mode UIT) → de shows worden via een vaste snelheid gestuurd.
- Bevestig uw keuze door op de **ENTER** toets te drukken.
- Druk gedurende ongeveer 2 seconden op de **MENU** toets om naar de werkingsmodus terug te keren.

Blnd Blackout Mode

Blackout mode: wanneer er geen DMX-signal gedetecteerd wordt gaat het toestel in blackout. No blackout mode: wanneer er geen DMX-signal gedetecteerd wordt schakelt het toestel automatisch over naar master mode.

- Druk op de **MENU** toets tot **Blnd** wordt weergegeven op de display.
- Druk op de **ENTER** toets, de gebruikte functie begint te knipperen op de display.
- Gebruik de **DOWN** en **UP** toetsen om **YES** (blackout) of **no** (geen blackout) te kiezen.
- Druk daarna op de **ENTER** toets om uw keuze te bevestigen. (indien u dit niet doet wordt er na 8 seconden terug overgegaan naar het hoofdmenu zonder de veranderingen op te slagen)
- Druk gedurende ongeveer 2 seconden op de **MENU** toets om naar de werkingsmodus terug te keren.

LED Led Display

Display on: display is steeds aan.

Display off: display is uit wanneer deze niet wordt gebruikt.

- Druk op de MENU toets tot **LED** op de display wordt weergegeven.
- Druk op de ENTER toets, de display begint te knipperen.
- Gebruik de DOWN en UP toetsen om **ON** of **OFF** (display uit wanneer niet in gebruik) te selecteren.
- Druk daarna op de ENTER toets om uw keuze te bevestigen. (indien u dit niet doet wordt er na 8 seconden terug overgegaan naar het hoofdmenu zonder de veranderingen op te slagen)
- Druk gedurende ongeveer 2 seconden op de MENU toets om naar de werkingsmodus terug te keren.

DISP Display Inversie

- **Display normal: display is leesbaar wanneer het toestel op de grond staat.**
- **Display inversion: display is leesbaar wanneer het toestel ondersteboven hangt.**
- Druk op de MENU toets tot **DISP** knippert op de display. (normal display)
- Druk op de ENTER toets om over te schakelen op **DISP** (display omgekeerd), de handeling wordt automatisch na 8 seconden opgeslagen. Of druk nogmaals op de ENTER toets om naar **DISP** (normal display) terug te schakelen.

TEST Zelf-Test

- Druk op de menu toets tot **TEST** op de display wordt weergegeven.
- Druk op de ENTER toets: het toestel zal het ingebouwde testprogramma uitvoeren.
- Druk kop de MENU toets om naar de andere functies terug te keren.

Fhrs Fixture Hours

Wordt gebruikt om het aantal werkuren van het toestel weer te geven.

- Druk op de MENU toets tot **Fhrs** op de display wordt weergegeven.
- Druk op de ENTER toets om het verstreken aantal werkuren weer te geven op de display.
- Druk kop de MENU toets om naar de andere functies terug te keren.

VER Software versie:

Geeft de softwareversie van het toestel weer.

- Druk op de MENU toets tot **VER** op de display wordt weergegeven.
- Druk op de ENTER toets om de softwareversie te laten verschijnen.
- Druk op de MENU toets om naar de functies terug te keren.

BEDIENING VAN HET TOESTEL

U KUNT HET TOESTEL OP 3 MANIEREN GEBRUIKEN:

- Via de master/slave functie en ingebouwde programma's
- Met de CA-8 easy controller
- Met een universele DMX controller (1, 4 & 256 kanalen DMX modus)

• **VIA DE MASTER/SLAVE FUNCTIE EN INGEBOUWDE PROGRAMMA'S:** selecteer deze functie indien u onmiddellijk wil van start gaan met een kant en klare show. Door de toestellen als master/slave met mekaar te verbinden zal het eerste toestel alle andere toestellen controleren en bekomt u alzo een automatische, gesynchroniseerde lichtshow op het ritme van de muziek. Op de DMX ingang van het 'master' toestel mag niets aangesloten worden, de master led is continu aan en de Sound led knippert op het ritme van de muziek.

Belangrijk! Deze functie werkt alleen wanneer de blackout mode in the menu van de 'master' uit staat (OFF), anders zal er niets gebeuren! Lees meer over deze optie in de paragraaf "hoe instellen".

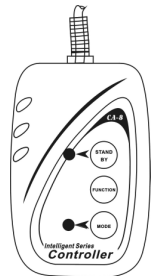
- **De MASTER heeft 12 ingebouwde shows:** U kunt van **SH 0** (show 0) tot **SH 12** (show 12) kiezen in het menu van het master toestel.

- **SLAVES hebben 2 werkopties:** Deze toestellen staan in slave mode (slave-LED is continu aan). Om een mooiere lichtshow te creëren kunt u gecontrasteerde bewegingen invoegen → In het menu van de slave units kunt u naar de optie **SLND** gaan. Kies hier:
 - **SL 1** → **Normal slave:** slave werkt synchroon met de master.
 - **SL 2** → **2 light show:** slave werkt in contrast met de master.

• **MET DE EASY CONTROLLER:**

Voor de Master/slave werkmodus raden wij u ten sterkste aan de CA-8 "Easy controller" te gebruiken. Verbind deze kleine controller met de 1/4" jack aansluiting van het 'master' toestel. Zo heeft u de volledige controle over volgende **FUNCTIES:**

Standby	Blackout the unit	
Function	1/ witte geluidgestuurde strobo 2/ gekleurde geluidgestuurde stobo	showkeuze (show 1-12)
Mode	Geluid/strobe (LED UIT)	Kleur (LED AAN)



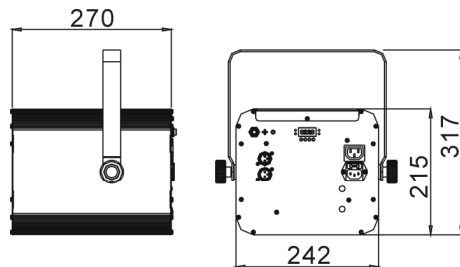
ONDERHOUD

- Overtuig U ervan dat het gebied onder de installatieplaats vrij is van ongewenste personen tijdens het onderhoud.
- Zet het toestel uit, trek de netstekker uit het stopcontact en wacht tot het toestel is afgekoeld.
- **Bij inspectie moeten de volgende punten worden gecontroleerd.**
- Alle schroeven gebruikt om het te toestel te installeren en al zijn onderdelen moeten goed vastgedraaid zijn en mogen niet verroest zijn.
- Behuizingen, vastzetstukken, installeringplaatsen (plafond, spanten, schokbrekers) mogen absoluut niet verwrongen zijn.
- Wanneer een optische lens klaarblijkelijk beschadigd is door barsten of diepe krassen, dan moet deze vervangen worden.
- De stroomkabels moeten in perfecte staat zijn en behoren vervangen te worden, wanneer er zelfs maar een klein probleem ontdekt werd.
- Om het toestel tegen oververhitting te beschermen, behoren de ventilatoren (als die er zijn) en de ventilatieopeningen elke maand gereinigd te worden.
- De binnenkant van het toestel behoort elk jaar gereinigd te worden met een stofzuiger of een luchtspuit.
- Het schoonmaken van inwendige en uitwendige optische lenzen en/of spiegels moet regelmatig worden uitgevoerd om een zo goed mogelijke lichtuitstraling te verkrijgen. Hoe vaak ze schoon moeten worden gemaakt hangt af van de omgeving waar het toestel wordt gebruikt: een klamme, rokerige of bijzonder vuile omgeving kan een grotere opeenhoping van vuil veroorzaken op de optische uitrusting.
 - Reinig met een zachte doek en gebruik normale glasreinigende producten.
 - Droog de onderdelen altijd zorgvuldig af,
 - Reinig de uitwendige optische uitrusting minstens één keer per maand.
 - Reinig de inwendige optische uitrusting minstens om de 3 maanden.

Let op: We bevelen sterk aan dat het schoonmaken van de binnenkant wordt uitgevoerd door vakbekwaam personeel!!

TECHNISCHE KENMERKEN

Netvoeding:	wisselstroom 230 V, 50 Hz
Stroomverbruik:	29 Watt
Zekering:	250 V/ 6,3A trage zekering (20 mm)
Geluidscontrole:	Ingebouwde microfoon
DMX verbinding:	3 pins XLR mannelijk/ vrouwelijk
Aantal gebruikt DMX kanalen:	1 of 4 of 256 kanalen
Lamp:	256 LEDs (64R + 64G + 64B + 64W)
Afmetingen:	270 x 242 x 317mm
Gewicht:	3,8 kg



Elke inlichting kan veranderen zonder waarschuwing vooraf

U kan de laatste versie van deze handleiding downloaden via Onze website: www.beglec.com

BEDIENUNGSANLEITUNG

Vielen Dank, dass Sie sich für den Erwerb dieses JBSystems®-Produkt entschieden haben. Bitte lesen Sie diese Bedienungsanleitung sorgfältig vor der Inbetriebnahme durch, zur vollen Ausschöpfung der Möglichkeiten, die dieses Gerät bietet, sowie zu Ihrer eigenen Sicherheit.

EIGENSCHAFTEN

Das Gerät ist funkentstört und erfüllt die Anforderungen der europäischen und nationalen Bestimmungen. Entsprechende Dokumentation liegt beim Hersteller vor.

- Ein sehr kraftvoller überwältigender LED-Effekt.
- Über DMX kann jeder der 256 Hochleistungs-LEDs (R=64 + G=64 + B=64 + W=64) einzeln gesteuert werden, um äußerst ungewöhnliche Effekte zu erzielen!
- Verschiedene Betriebsmodi über das 4-stellige LED-Display wählbar:
 - Standalone: musikgesteuerte Shows mit eingebautem Mikro
 - Master/Slave: wundervolle synchronisierte Shows
 - Wahlweise CA-8 Fernsteuerung erhältlich
 - Verschiedene DMX-Modi:
 - Über 256 DMX-Kanäle können Sie verblüffende Textmuster, geometrische Formen, dynamische Scanner-/Roll-/Dreh- und Zoomeffekte erzielen!
 - Der 1-Kanal-DMX-Modus macht die Bedienung extrem einfach
 - Mit dem 4-Kanal-DMX-Modus erhalten Sie vollständige Kontrolle über alle eingebauten Programme.
- Äußerst schillernde Farben verglichen mit Halogenlampen-Effekten
- Kein Leuchtenaustausch!
- Nahezu keine Wärmeabgabe und sehr geringe Leistungsaufnahme
- 0-100% Dimmung und ultra schnelle Strobe-Funktion
- Ausgestattet mit großen optischen Linsen für maximale Lichtleistung und weite Abstrahlwinkel von 54°

VOR DER ERSTBENUTZUNG

- Vor der Erstbenutzung bitte das Gerät zuerst auf Transportschäden überprüfen. Sollte das Gerät einen Schaden aufweisen, Gerät bitte nicht benutzen, sondern setzen Sie sich unverzüglich mit Ihrem Händler in Verbindung.
- **Wichtiger Hinweis:** Das Gerät hat das Werk unbeschädigt und gut verpackt verlassen. Es ist wichtig, dass der Benutzer sich streng an die Sicherheitshinweise und Warnungen in der Bedienungsanleitung hält. Schäden durch unsachgemäße Handhabung sind von der Garantie ausgeschlossen. Der Händler übernimmt keine Verantwortung für Schäden, die durch Nichtbeachtung der Bedienungsanleitung hervorgerufen wurden.
- Die Bedienungsanleitung zum zukünftigen Nachschlagen bitte aufbewahren. Bei Verkauf oder sonstiger Weitergabe des Geräts bitte Bedienungsanleitung beifügen.

Packungsinhalt prüfen:

Bitte überprüfen Sie, dass die Packung folgende Einzelteile enthält:

- Bedienungsanleitung
- MATRIX LED
- Netzkabel

SICHERHEITSHINWEISE



ACHTUNG: Um sich nicht der Gefahr eines elektrischen Schlags auszusetzen, entfernen Sie keines der Gehäuseteile. Im Geräteinneren befinden sich keine vom Benutzer reparierbaren Teile. Überlassen Sie Reparaturen dem qualifizierten Kundendienst.



Das Blitzsymbol im Dreieck weist den Benutzer darauf hin, dass eine Berührung Gefahr mit nicht isolierten Teilen im Geräteinneren, die eine gefährliche Spannung führen, besteht. Die Spannung ist so hoch, dass hier die Gefahr eines elektrischen Schlages besteht.



Das Ausrufezeichen im Dreieck weist den Benutzer auf wichtige Bedienungs- und Wartungshinweise in den Dokumenten hin, die dem Gerät beiliegen.



Dieses Symbol bedeutet: Nur innerhalb von Räumen verwenden.



Dieses Symbol bedeutet: Achtung! Bedienungsanleitung lesen!



Dieses Symbol bedeutet: Klasse I Klassifizierung



Dieses Symbol gibt an: der minimale Abstand von beleuchteten Gegenständen. Der minimale Abstand zwischen Projektor und dem belichteten Gegenstand muss mehr als 0,5 Meter betragen.

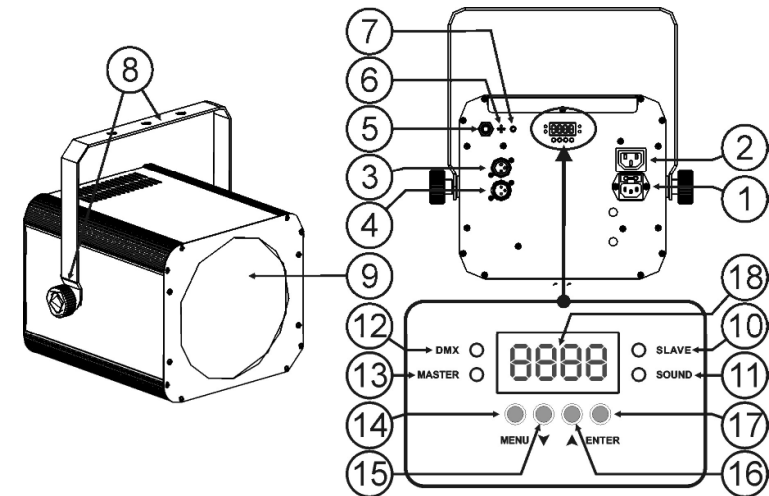


Die Vorrichtung ist geeignet zur Installation auf gängigen entflammaren Oberflächen. Gängige entflammare Oberflächen umfassen Baumaterialien wie Holz oder holzhaltige Baustoffe mit einer Dicke von über 2mm.

- Aus Umweltschutzgründen Verpackung bitte wiederverwenden oder richtig trennen.
- Zur Vermeidung von Stromschlag oder Feuer, Gerät bitte nicht Regen oder Feuchtigkeit aussetzen.
- Zur Vermeidung von Kondensation im Inneren des Geräts bitte nach dem Transport in eine warme Umgebung einige Zeit zum Temperatúrausgleich ausgeschaltet stehen lassen. Kondensation kann zu Leistungsverlust des Geräts oder gar Beschädigung führen.
- Gerät nicht im Freien und in feuchten Räumen und Umgebungen verwenden.
- Keine Metallgegenstände oder Flüssigkeiten ins Innere des Geräts gelangen lassen, Kurzschluss oder Fehlfunktion können die Folge sein. Falls es doch einmal vorkommen sollte, bitte sofort Netzstecker ziehen und vom Stromkreis trennen.
- Gerät nur in gut belüfteter Position und entfernt von entflammaren Materialien oder Flüssigkeiten betreiben. Mindestabstand an allen Seiten soll mindestens 50 cm betragen.
- Ventilationsöffnungen nicht abdecken, da Überhitzungsgefahr!
- Nicht in staubiger Umgebung verwenden und regelmäßig reinigen.
- Für Kinder unerreichbar aufbewahren.
- Unerfahrene Personen sollen das Gerät nicht bedienen.
- Umgebungstemperatur darf 40°C nicht überschreiten.
- Sicherstellen, dass sich während des Auf- und Abbaus keine unbefugten Personen unterhalb des Geräts befinden.
- Stets Netzstecker ziehen, wenn Gerät für längeren Zeitraum nicht genutzt oder es gewartet wird.
- Elektrische Anschlüsse nur durch qualifiziertes Fachpersonal überprüfen lassen.
- Sicherstellen, dass Netzspannung mit Geräteaufkleber übereinstimmt.
- Gerät nicht mit beschädigtem Netzkabel betreiben. Ist die Zugangsleitung beschädigt, muss diese durch den Hersteller, seinen Vertrieb oder durch eine qualifizierte Person ersetzt werden.
- Netzkabel nicht mit anderen Kabeln in Berührung kommen lassen!
- Zur Einhaltung der Sicherheitsbestimmungen muss das Gerät geerdet sein.
- Gerät nicht an einen Dimmer anschließen.
- Ausschließlich vorschriftsmäßige Kabel zur Installation verwenden.
- Gerät nicht öffnen.
- Sicherung niemals reparieren oder überbrücken, sondern immer durch gleichartige Sicherung ersetzen!
- Bei Fehlfunktion Gerät nicht benutzen und sich mit Händler in Verbindung setzen.
- Bei sichtbaren Beschädigungen müssen Gehäuse und Optik ersetzt werden.
- Bei Transport bitte Originalverpackung verwenden, um Schäden am Gerät zu vermeiden.
- Aus Sicherheitsgründen dürfen an dem Gerät keine unbefugten Veränderungen vorgenommen werden.

Wichtiger Hinweis: Nicht direkt in die Lichtquelle blicken! Gerät nicht verwenden, wenn sich Personen im Raum befinden, die unter Epilepsie leiden.

BESCHREIBUNG



1. Netzanschluss mit IEC Buchse zum Anschluss an die Steckdose
2. Netzausgang mit IEC Stecker: Sie können mit dem optionalen IEC Kabel diesen Netzausgang mit dem Netzeingang des nächsten Gerät verbinden (max 40 MATRIX LED)
3. DMX-Eingangsstecker
4. DMX-Ausgangsstecker
5. 1/4 " Buchse zum Anschluss eines optionalen CA-8-Controllers
6. Eingebautes Mikrofon
7. Empfindlichkeit für Audio-Pegel.
8. Halter mit zwei Schrauben auf jeder Seite und einem Montier loch um das Gerät in eine Montagevorrichtung zu bringen.
9. Große optische Linse für maximale Lichtleistung und breit, 54 ° Abstrahlwinkel
10. Slave LED: leuchtet auf, wenn das Gerät im Slave-Modus ist
11. Sound LED: blinkt im Takt der Musik wenn das Gerät im Audio-Modus ist
12. DMX LED: leuchtet auf, wenn das Gerät ein DMX-Signal erhält
13. Master LED: leuchtet auf, wenn das Gerät als Master geschaltet ist
14. MENU-Knopf: zum Wählen der verschiedenen Menüpunkte
15. DOWN-Knopf: zum Zurückgehen im Menü und zum Mindern der auf dem Display angezeigten Werte.
16. UP-Knopf: zum Vorwärtsgen im Menü und zum Erhöhen der auf dem Display angezeigten Werte.
17. ENTER-Knopf: zum Bestätigen Ihrer Wahl.
18. DISPLAY zeigt die verschiedenen Menüs und die gewählten Funktionen an.

ÜBERKOPF-MONTAGE

- **Wichtig:** Montage ausschließlich durch qualifiziertes Fachpersonal durchführen lassen. Unvorschriftsmäßiger Einbau kann erhebliche Verletzungen und/oder Schäden verursachen. Überkopf-Montage verlangt entsprechende Erfahrung! Belastungsgrenzen müssen beachtet werden, geeignetes Installationsmaterial muss verwendet werden und das installierte Gerät muss in regelmäßigen Abständen überprüft werden.
- Sicherstellen, dass sich keine unbefugten Personen unterhalb des Geräts befinden, während es installiert oder gewartet wird.
- Gerät in gut belüfteter Position installieren, weit entfernt von entflammaren Materialien und/oder Flüssigkeiten. Einen Seitenabstand von **mindestens 50cm** einhalten.
- Gerät außerhalb der Reichweite von Personen und nicht in niedrigen Durchgängen oder in der Nähe von Sitzgelegenheiten installieren.

- Vor Montage sicherstellen, dass die gewählte Position wenigstens das 10-fache Gerätgewicht aufnehmen kann.
- Zur Aufhängung stets geeignetes Befestigungsmaterial verwenden, das das 12-fache Gerätgewicht aushalten kann. Eine zweite Sicherungsaufhängung muss angebracht werden, die ein Absacken des Geräts von mehr als 20 cm verhindert, sollte die Befestigung brechen.
- Gerät gut befestigen. Eine freischwingende Aufhängung ist gefährlich und sollte auf gar keinen Fall in Betracht gezogen werden!
- Ventilationsöffnungen nicht abdecken, da Überhitzungsgefahr!
- Betreiber muss sicherstellen, dass die sicherheitsrelevanten und technischen Installationen vor Erstbetrieb fachmännisch vorgenommen worden sind.
- Installationen sollten jährlich durch qualifiziertes Fachpersonal inspiziert werden, um jederzeit einen sicheren Betrieb zu gewährleisten.

ELEKTRISCHE INSTALLATION + ADRESSIERUNG

Wichtig: Die Elektroinstallation sollte nur von Fachleuten in Übereinstimmung mit den in Ihrem Land geltenden Bestimmungen für elektrische und mechanische Sicherheit ausgeführt werden.

Elektrische Installation von einem allein stehenden Gerät:

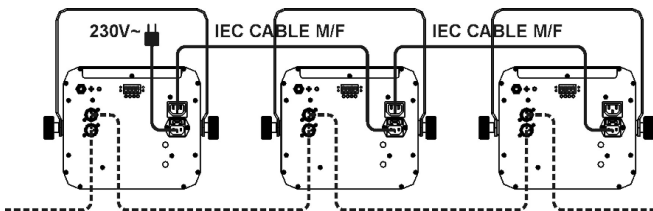
- Stecken Sie einfach das Netzkabel ein. Die Gerät fängt sofort an im allein stehenden Modus zu arbeiten
- Anmerkung 1:** Sie können einen Fernsteuerungscontroller CA-8 an das Gerät anschließen, wenn Sie zusätzliche Steuerungsfunktionen haben möchten. In Abschnitt „Bedienen des Geräts“ erfahren Sie mehr darüber.
- Anmerkung 2:** Sollte kein Ausgang vorhanden sein, stellen Sie sicher, dass das Gerät im Master-Modus eingestellt ist (siehe nachstehend Kapitel)

Elektrische Installation für zwei oder mehrere Geräte im Master/Slave-Modus:

- Schließen Sie 2 bis max. 16 Geräte mit hochwertig abgeschirmten Mikrokabeln an. Setzen Sie das erste Gerät der Kette in den Master-Modus, die übrigen müssen in den Slave-Modus gesetzt werden (SL1 oder SL2). Siehe nachstehend Kapitel für weitere Informationen.
- Vergewissern Sie sich, dass alle Geräte an die Netzleitung angeschlossen wurden.
- Fertig!
- Anmerkung:** Sie können einen Fernsteuerungscontroller CA-8 an das Gerät anschließen, wenn Sie zusätzliche Steuerungsfunktionen haben möchten.

Elektroinstallation im DMX-Modus:

- Das DMX-Protokoll ist ein gängiges Hochgeschwindigkeitssignal, um intelligente Lichtsysteme zu steuern. Sie müssen Ihren DMX-Controller und alle angeschlossenen Geräte mit einem hochwertigen symmetrischen Kabel hintereinander schalten (daisy chain).
- Es werden sowohl XLR-3pin als auch XLR-5pin-Stecker benutzt, allerdings ist der XLR-3pin gängiger, da diese Kabel mit symmetrischen Audiokabel kompatibel sind.
Stiftanordnung XLR-3pin: Pin1 = GND ~ Pin2 = Negatives Signal (-) ~ Pin3 = Positives Signal (+)
Stiftanordnung XLR-5pin: Pin1 = GND ~ Pin2 = Negatives Signal (-) ~ Pin3 = Positives Signal (+) ~ Pins4+5 nicht benutzt.
- Um durch Interferenzen verursachte Fehlfunktionen der Lichteffekte zu vermeiden, müssen Sie einen 90Ω bis 120Ω Abschlusswiderstand am Ende der Kette einsetzen. Verwenden Sie niemals Y-Splitter Kabel, das funktioniert nicht!
- Stellen Sie sicher, dass alle Geräte an das Netz angeschlossen sind.



- **EINSTELLEN DER RICHTIGEN STARTADRESSE:**
Bitte im nachstehend Kapitel (DMX-512 Adresse einstellen) nachlesen, wie die Startadresse eingestellt wird. Die Startadresse jedes einzelnen Geräts ist ausgesprochen wichtig. Unglücklicherweise ist es unmöglich, Ihnen in dieser Bedienungsanleitung zu erklären, welche Startadresse Sie einzustellen haben. Das hängt vollständig von dem verwandten Controller ab... Also, bitte lesen Sie in der Bedienungsanleitung Ihres DMX Controllers nach, wie die Startadresse einzustellen ist.

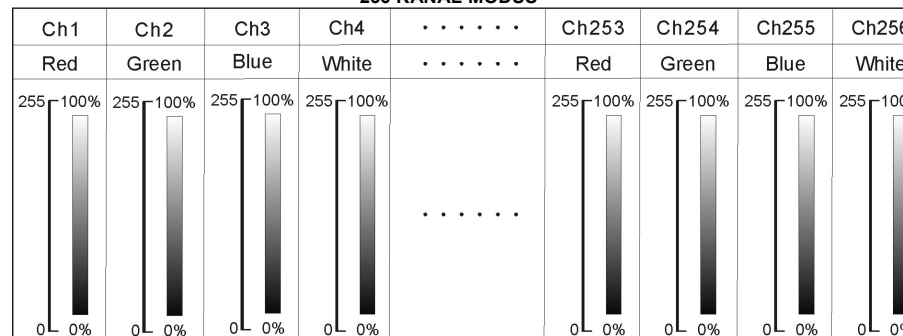
Beispiel für verschiedene Kanal-Konfigurationen:

- **1 Kanal-Modus:** 001 (gerät 1), 002 (gerät 2), 003 (gerät 3), ... → Abständen von 1 Kanal
- **4 Kanal-Modus:** 001 (gerät 1), 005 (gerät 2), 009 (gerät 3), ... → Abständen von 4 Kanälen
- **256 Kanal-Modus:** 001 (gerät 1), 257 (gerät 2) → Abständen von 256 Kanäle

DMX-KONFIGURATION DES MATRIX LED:

1 KANAL MODUS		4 KANAL MODUS				
Ch1	Ch1	Ch2		Ch3		Ch4
Chase	Function	Pattern CH1=10-99	Chase CH1=100-239	Color CH1=10-99	Chase Speed CH1=100-239	Strobe
240-255	Random Chase	236-255 Pattern 12	236-255 Chase 12	239-255 R+G+B+W	255 Fast	⚡⚡⚡
218-239	Chase 12	215-235 Pattern 11	215-235 Chase 11	222-238 G+B+W		
198-217	Chase 11	194-214 Pattern 10	194-214 Chase 10	205-221 R+B+W	10-255 ⚡⚡	⚡
178-197	Chase 10	173-193 Pattern 9	173-193 Chase 9	188-204 R+G+W		
158-177	Chase 9	151-172 Pattern 8	151-172 Chase 8	171-187 R+G+B		
138-157	Chase 8	130-150 Pattern 7	130-150 Chase 7	154-170 B+W		
128-137	Chase 7	109-129 Pattern 6	109-129 Chase 6	137-153 G+W		
108-127	Chase 6	088-108 Pattern 5	088-108 Chase 5	120-136 G+B		
88-107	Chase 5	066-087 Pattern 4	066-087 Chase 4	103-119 R+W		
68-87	Chase 4	042-065 Pattern 3	042-065 Chase 3	086-102 R+B		
48-67	Chase 3	021-041 Pattern 2	021-041 Chase 2	069-085 R+G		
29-47	Chase 2	000-020 Pattern 1	000-020 Chase 1	052-068 W		
10-28	Chase 1			035-051 B		
0-9	OFF			018-034 G		
				000-017 R	0-9 Stop	

256 KANAL MODUS



3 DMX-Modi sind verfügbar: 1CH, 4CH und 256CH- Modus:

1-Kanal-Modus:

Sehr Benutzerfreundlicher Modus: Sie benötigen nur ein DMX Kanal um einen von 11 vorprogrammierten Chases auszuwählen oder Sie können den Effekt Commander zum ein- und ausschalten benutzen (Sie benötigen kein Switch Pack).

4-Kanal-Modus:

Für komplette Steuerung.
• Kanal 1: Schalten Sie das Gerät ein / aus und wählen Sie, wie Kanäle 2 + 3 Arbeiten.

- Kanal 2: Abhängig von der Einstellung der Kanal1 können Sie 1 von 12 Muster oder 12 Lauflichter auswählen
- Kanal 3: Abhängig von der Einstellung der Kanal 1 können Sie 15 Farbkombinationen oder einen gewünschten Chase Geschwindigkeit auswählen.
- Kanal 4: Wählen Sie die gewünschte Strobe Frequenz.

256 Kanal-Modus:

Für ein Höchstmaß an Flexibilität und Kreativität, können Sie jedes LED des Geräts programmieren. Bitte beachten Sie, dass in diesem Modus das Gerät 256 DMX-Kanäle verwendet: Programmierung so viele Kanäle ist nur bequem, mit angepassten DMX-Software auf einem PC.

HOW TO SETUP:

HAUPTMENÜ:

- Um eine der Menüoptionen auszuwählen, drücken Sie den **MENU-Knopf** so oft bis die gewünschte Option auf dem Display erscheint.
- Auswahl der Funktion mit **EINGABE (ENTER)**, das Display blinkt.
- Mit **ABWÄRTS** und **AUFWÄRTS** wählen Sie die gewünschte Menüoption.
- Wenn die gewünschte Menüoption ausgewählt ist, mit **EINGABE (ENTER)** bestätigen.
- Drücken Sie die Taste MENU für 2seconds um die Einstellungen zu speichern und um in den normalen Arbeitsmodus zurückzukehren.

Addr DMX512 Einstellung

Adresse
Zum Einstellen der Startadresse in DMX Einstellung.

- MENU-Taste drücken bis **Addr** im Display angezeigt wird.
- EINGABE (ENTER) drücken und das Display beginnt zu blinken.
- Mit ABWÄRTS und AUFWÄRTS die DMX512 Adresse verändern.

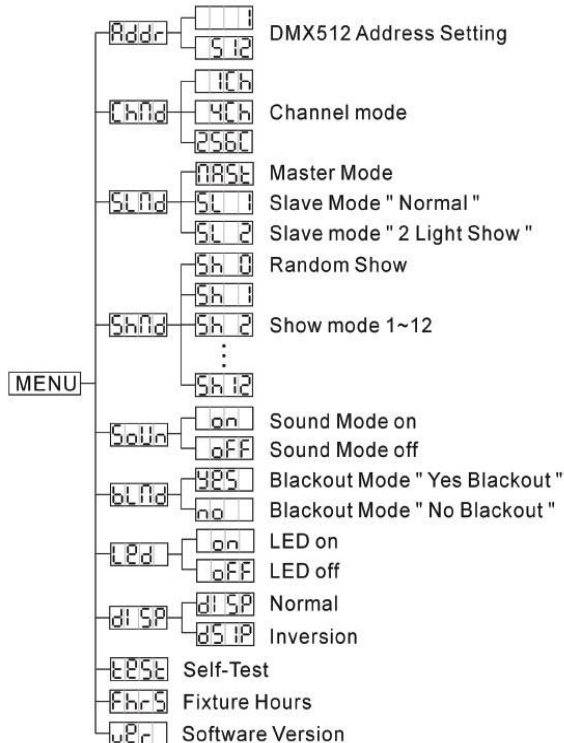
Sobald die richtige Adresse im Display angezeigt wird, mit EINGABE (ENTER) speichern (anderenfalls nach 8 Sekunden Rückkehr zu den Hauptfunktionen ohne Änderung)

- Halten Sie die **MENU**-Taste ungefähr 2 Sekunden gedrückt um in den Betriebsmodus zurückzukehren.

Chnd Channel Mode

Zum Einstellen der Anzahl DMX- Kanäle.

- Drücken Sie MENU, bis **Chnd** im Display angezeigt wird.
- Drücken Sie ENTER, damit beginnt das Display zu blinken.
- Benutzen Sie den DOWN- und UP-Knopf um den **1Ch** (1-Kanal), **4Ch** (2-Kanal) oder **256Ch** (256-Kanal) Modus zu wählen.
- Nach der Modusauswahl drücken Sie ENTER zum Einstellen (oder zur automatischen Rückkehr zu den Hauptfunktionen, wenn keine Eingabe innerhalb 8 Sekunden)
- Halten Sie die **MENU**-Taste ungefähr 2 Sekunden gedrückt um in den Betriebsmodus zurückzukehren.



SLNd Betriebsmodus:

Zum Einstellen des Geräts im Master- oder Slave-Modus.

- MENU-Taste drücken bis **SLNd** im Display angezeigt wird.
- Drücken Sie den ENTER-Knopf, der aktuelle Betriebsmodus beginnt auf dem Display zu blinken
- Benutzen Sie die DOWN- oder UP-Knöpfe um **MAStE** (Master), **SLvE** (Slave synchron mit dem Master) oder **SLvE** (2 light show – Slave führt das Gegenteil des Masters aus).
- Sobald die richtige Adresse im Display angezeigt wird, mit EINGABE (ENTER) speichern (anderenfalls nach 8 Sekunden Rückkehr zu den Hauptfunktionen ohne Änderung)
- Halten Sie die **MENU**-Taste ungefähr 2 Sekunden gedrückt um in den Betriebsmodus zurückzukehren.

SHNd Showbetrieb

Zum Auswählen eines der vorprogrammierten Shows bei Benutzung im Standalone oder Master/Slave-Modus

- MENU-Taste drücken bis **SHNd** im Display erscheint.
- Dann EINGABE (ENTER) drücken, die aktuelle Show beginnt auf dem Display zu blinken.
- Benutzen Sie die DOWN- und UP-Knöpfe um eine der vorprogrammierten Shows auszuwählen:
 - **Sh 0** → alle Shows spielte in zufälliger Modus.
 - **Sh 1** bis **Sh 12** → 12 verschiedene integrierte shows.
- Sobald Sie den richtigen Modus ausgewählt haben, drücken Sie die ENTER-Taste zur Bestätigung.
- Halten Sie die **MENU**-Taste ungefähr 2 Sekunden gedrückt um in den Betriebsmodus zurückzukehren.

SOuN Sound Mode

Zum Auswählen des gewünschten Sound-Modus zum Auslösen der Shows.

- MENU-Taste drücken bis **SOuN** im Display angezeigt wird.
- EINGABE (ENTER) drücken.
- Benutzen Sie die DOWN- und UP-Knöpfe um einen der möglichen Moden zu wählen:
 - **on** (sound modus an) → Die Show wird über das interne Mikrofon gesteuert.
 - **off** (sound modus aus) → Die Show wird über die Geschwindigkeit geregelt.
- Sobald Sie den richtigen Modus ausgewählt haben, drücken Sie die ENTER-Taste zur Bestätigung.
- Halten Sie die **MENU**-Taste ungefähr 2 Sekunden gedrückt um in den Betriebsmodus zurückzukehren.

bLNd Blackout

• **Blackout:** Wird kein DMX-Signal erkannt, geht das Gerät in Blackout.

- **Kein Blackout:** Wird kein DMX-Signal erkannt, schaltet das Gerät automatisch auf Master um.
- MENU-Taste drücken bis **bLNd** im Display erscheint.
- Dann EINGABE (ENTER) drücken, die aktuelle Auswahl beginnt auf dem Display zu blinken.
- Benutzen Sie den DOWN- und UP-Knopf um **YES** (Blackout) oder **NO** (kein Blackout) Modus zu wählen.
- Sobald die richtige Adresse im Display angezeigt wird, mit EINGABE (ENTER) speichern (anderenfalls nach 8 Sekunden Rückkehr zu den Hauptfunktionen ohne Änderung).
- Halten Sie die **MENU**-Taste ungefähr 2 Sekunden gedrückt um in den Betriebsmodus zurückzukehren.

LEd Led Display

• **Display an:** Display ist ständig eingeschaltet.

- **Display aus:** Display ist ausgeschaltet, wenn nicht in Benutzung.
- MENU-Taste drücken bis **LEd** im Display erscheint.
- Dann EINGABE (ENTER) drücken und Display beginnt zu blinken.
- Mit ABWÄRTS und AUFWÄRTS **on** (Display ständig eingeschaltet) oder **OFF** (Display ausgeschaltet, wenn nicht in Benutzung) auswählen.
- Sobald die richtige Adresse im Display angezeigt wird, mit EINGABE (ENTER) speichern (anderenfalls nach 8 Sekunden Rückkehr zu den Hauptfunktionen ohne Änderung).
- Halten Sie die **MENU**-Taste ungefähr 2 Sekunden gedrückt um in den Betriebsmodus zurückzukehren.

Display Umkehrung

- **Display Normal:** Display ist lesbar, wenn Gerät auf dem Boden installiert ist.
- **Display Umkehrung:** Display ist lesbar, wenn Gerät auf dem Kopf stehend installiert ist.
- MENÜ-Taste drücken bis **DISP** im Display blinkt (Normal Display)
- Mit EINGABE (ENTER) zu Betriebsart **DISP** (Display Umkehrung) umschalten, die Einstellung wird nach 8 Sekunden automatisch gespeichert oder EINGABE (ENTER) erneut drücken und so zu **DISP** (Normal Display) zurückkehren.
- Zur Rückkehr zu den Funktionen MENÜ-Taste drücken.

Selbst-Test

- MENÜ-Taste drücken bis **TEST** im Display erscheint.
- Drücken Sie die ENTER-Taste: Das Gerät beginnt das Selbst-Test-Programm.
- Zur Rückkehr zu den Funktionen MENÜ-Taste drücken.

Stundenzähler

Zur Anzeige der Arbeitsstunden des Geräts.

- MENÜ-Taste drücken bis **HR5** im Display erscheint.
- Mit EINGABE (ENTER) die Arbeitsstunden im Display anzeigen.
- Zur Rückkehr zu den Funktionen MENÜ-Taste drücken.

Software-Version:

Zum Anzeigen der Software-Version des Geräts.

- Drücken Sie den MENU-Knopf bis **VER** im Display erscheint.
- Drücken Sie den ENTER-Knopf, um die Software-Version des Geräts anzuzeigen. Um zu den Funktionen zurückzugehen, drücken Sie den MENU-Knopf.

BEDIENUNG DES GERÄTS

Sie können das Gerät auf 3 verschiedene Weisen bedienen:

- Als Haupt-/Untergerät mit eingebauten, vorprogrammierten Funktionen
- Mit Easy Controller
- Mit Universal DMX Controller (1-, 4- & 256-Kanal DMX-Modus)

ALS HAUPT-UNTERGERÄT MIT EINGEBAUTEN, VORPROGRAMMIERTEN FUNKTIONEN:

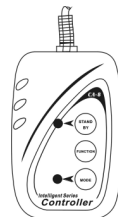
Auswahl dieser Funktion, falls Sie eine unverzügliche Show ablaufen lassen wollen. Durch Verbindung der Geräte in Haupt-/Untergeräte steuert das erste Gerät die nachfolgenden Geräte und erzeugt eine automatische, musikgesteuerte, synchronisierte Lightshow. Am DMX Eingang ist nichts angeschlossen, die Master-LED ist ständig an und die Sound-LED blinkt synchron mit der Musik.

Wichtiger Hinweis! Diese Funktion arbeitet nur, wenn Betriebsart Blackout im Menü des Hauptgeräts AUSgeschaltet ist, anderenfalls passiert gar nichts! Mehr dazu bitte im Kapitel „Einstellanleitung“ nachlesen.

- **MASTER hat 12 vorprogrammierte Shows:** Sie können **SH 0** (show 0) bis **SH 12** (show 12) direkt im Menü des Mastergeräts wählen.
- **UNTERGERÄTE haben 2 Betriebsoptionen:** Die weiteren Geräte sind auf Betriebsart Untergerät eingestellt (Untergerät-LED ist ständig an). Um eine großartige Lightshow zu kreieren, können Sie Kontrastbewegungen einführen → im Menü der Untergeräte zu Option **SLND** gehen und auswählen:
 - **SL 1** → **Normal Untergerät:** Untergerät arbeitet synchron mit Hauptgerät.
 - **SL 2** → **2 Lightshow:** Untergerät arbeitet umgekehrt vom Hauptgerät.

MIT EASY CONTROLLER:

Bei Verwendung in Betriebsart Haupt-/Untergerät empfehlen wir dringend die Verwendung unseres CA-8 „Easy Controller“. Diesen kleinen Controller einfach an der 1/4" Buchse des Hauptgeräts anschließen und dann folgende Funktionen steuern:



Standby	Blackout the unit	
Function	1/ Weiße Sound Strobe 2/ Sound Color Strobe	Wählen Sie die Show (show 1-12)
Mode	Sound/Strobe (LED AUS)	Farbe (LED AN)

WARTUNG UND INSTANDHALTUNG

- Sicherstellen, dass sich keine unbefugten Personen unterhalb des Geräts befinden, während es gewartet wird.

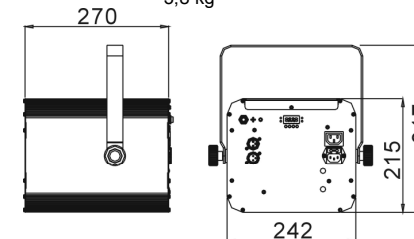
Während der Wartung sind folgende Punkte ganz besonders zu beachten:

- Sämtliche Schrauben zur Installation und Befestigung jeglicher Teile müssen fest angezogen sein.
- Gehäuse, Befestigungsmaterialien und Aufhängungen (Decke, Balken, abgehängte Decken) dürfen keine Anzeichen von Verformung aufweisen.
- Ist die Optik sichtbar beschädigt (Sprünge oder tiefe Kratzer), dann müssen die entsprechenden Teile ausgewechselt werden.
- Netzkabel muss stets in einwandfreiem Zustand sein und selbst bei kleinsten Beschädigungen erneuert werden.
- Zur Vermeidung von Überhitzung müssen die Ventilatoren (sofern vorhanden) und Lüftungsschlitze monatlich gereinigt werden.
- Gerät innen mindestens einmal pro Jahr mit Staubsauger oder Airjet reinigen.
- Reinigung der inneren und äußeren optischen Linsen und/oder Spiegel müssen in regelmäßigen Abständen zur Beibehaltung einer optimalen Lichtausbeute vorgenommen werden. Reinigungsintervalle hängen stark von der Umgebung ab: feuchte, verrauchte und besonders verschmutzte Umgebung führen zu größerer Verschmutzung auf den Linsen.
 - Mit weichem Tuch und gewöhnlichem Glasreiniger säubern.
 - Alle Teile stets gut abtrocknen.
 - Äußere Optik mindestens alle 30 Tage säubern.
 - Innere Optik mindestens alle 90 Tage säubern.

Achtung: Wir empfehlen dringend, Reinigung im Innern des Geräts nur von qualifiziertem Personal durchführen zu lassen!

TECHNISCHE EINZELHEITEN

Netzspannung:	≈ 230V, 50Hz
Leistungsaufnahme:	29 Watt
Sicherung:	250V / 6,3A langsame Sicherung (20mm Glas)
Klangregler:	Eingebautes Mikrofon
DMX Anschlüsse:	3-pin XLR Stecker/Buchse
DMX Kanäle:	1, 4 oder 256 Kanäle
Lichtquelle:	256 LEDs (64R + 64G + 64B + 64W)
Abmessungen:	270 x 242 x 317mm
Gewicht:	3,8 kg



Technische Änderungen können auch ohne Vorankündigung vorgenommen werden!
Sie können sich die neueste Version dieses Benutzerhandbuchs von unserer Website herunterladen: www.beglec.com

MANUAL DE INSTRUCCIONES

Gracias por la compra de este producto JB Systems®. Para sacar todo el rendimiento de las posibilidades de este aparato y por su propia seguridad, por favor lea este manual de instrucciones con mucho cuidado antes de utilizar esta unidad.

CARACTERÍSTICAS

Esta unidad no interfiere con señales de radio. Este producto cumple las exigencias de las directrices actuales Europeas y nacionales. Se ha establecido conformidad y las declaraciones y documentos relevantes se han depositado por el fabricante.

- Este aparato ha sido diseñado para producir efecto de iluminación decorativa y se usa en sistemas de iluminación de espectáculos.
- Un efecto LED muy potente y alucinante.
- ¡Por medio de DMX cada uno de los 256 potentes LEDs (R=64 + G=64 + B=64 + W=64) se pueden controlar independientemente para obtener los efectos más sorprendentes!
- Diferentes modalidades de funcionamiento que se pueden seleccionar por medio de la pantalla LED de 4 dígitos:
 - Independiente: efectos de sonido activados con el micrófono interno
 - Maestro/esclavo: espectáculos perfectamente sincronizados
 - Controlador remoto CA-8 opcional disponible
 - Diferentes modos DMX:
 - ¡Por medio de 256 canales DMX puede crear sorprendentes patrones de texto, figuras geométricas, exploración/rodaje/giro dinámico y efectos de ampliación!
 - La modalidad DMX de 1 canal hace que el funcionamiento sea extremadamente fácil
 - Con la modalidad DMX de 4 canales tiene el control total de todos los programas incorporados.
- Colores extremadamente brillantes en comparación con los efectos de lámparas halógenas
- ¡No hay que sustituir la lámpara!
- Virtualmente no producen calor y el consumo de energía es muy bajo
- 0-100% regulación de intensidad luminosa y función estroboscópica ultra rápida
- Equipado con una gran lente óptica para una máxima emisión luminosa y gran ángulo de haz de 54°

ANTES DEL USO

- Antes de utilizar esta unidad, por favor compruebe que no hay daños causados por el transporte. En caso contrario, no utilice este aparato y consulte a su vendedor.
- **Importante:** Este aparato salio de la empresa en perfecto estado y bien empaquetado. Es absolutamente necesario por parte del usuario seguir estrictamente las instrucciones de seguridad y advertencias de este manual. Cualquier daño causado por manejo inadecuado no estará sujeto a la garantía. El vendedor no aceptará responsabilidad por ningunos defectos o problemas que resulten de ignorar este manual del usuario.
- Mantenga este folleto en un lugar seguro para consultas futuras. Si vende esta instalación, asegúrese de añadir este manual de usuario.
- Para proteger el medio ambiente, por favor intente reciclar el material de empaquetado tanto como sea posible.

Compruebe el contenido:

Compruebe que la caja contiene los siguientes ítems:

- Instrucciones de manejo
- MATRIX LED
- Cable de red

INSTRUCCIONES DE SEGURIDAD:



CAUTION
RISK OF ELECTRIC SHOCK
DO NOT OPEN



PRECAUCIÓN: Para reducir el riesgo de electrocución, no quite la cubierta superior. Ninguna pieza usable adentro para el utilizador. Dirijase unicamente a personal cualificado.



El simbolo de un rayo en el interior de un triangulo alerta sobre la presencia o el uso de elementos no aislados donde un voltaje peligroso constituye un riesgo grande para causar una eventual electrocución.



El punto de exclamación en el interior de un triangulo alerta al usuario sobre la presencia de importantes instrucciones de operación y de mantenimiento tenidas en cuenta en el manual de uso.



Este símbolo significa : uso para el interior solamente.



Este símbolo significa : Lea las instrucciones.



Este símbolo significa: Aplicaciones de la clase I



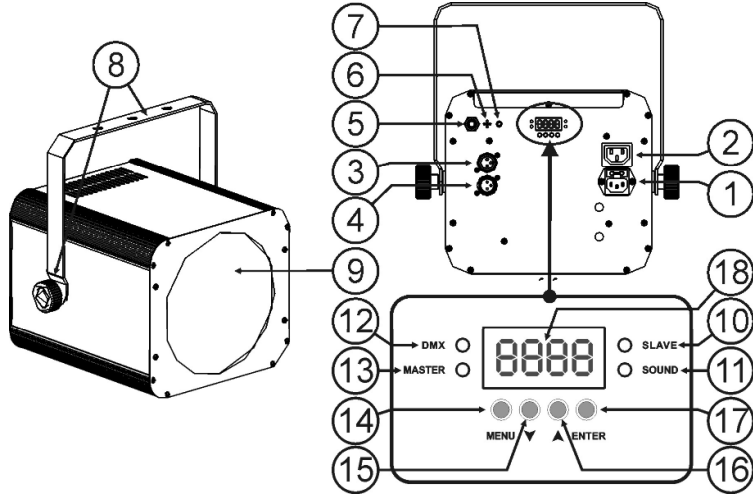
Este símbolo se determina: la distancia mínima de objetos iluminados. La distancia mínima entre el proyector y el objeto iluminado debe ser más de 0,5 metro.

- El dispositivo es adecuado para su montaje en superficies inflamables estándar. Las superficies inflamables estándar incluyen materiales de construcción como madera y materiales derivados de la madera de más de 2 mm de espesor.
- Afin de evitar todo riesgo de incendio o electrocución, no exponer el aparato a la lluvia o ambiente húmedo.
- Para evitar fuego o riesgos de descargas no exponga este aparato a la lluvia o humedad.
- Para evitar que se forme condensación en el interior, permita que la unidad se adapte a las temperaturas circundantes cuando la lleve a una habitación cálida después de transporte. Condensación algunas veces impide que la unidad funcione a rendimiento pleno o puede incluso causar daños.
- Esta unidad es sólo para uso interior.
- No coloque objetos metálicos o derrame líquidos dentro de la unidad. Podría resultar descarga eléctrica o mal funcionamiento. Si un objeto extraño entrara en la unidad, desconecte inmediatamente la fuente de alimentación.
- Coloque la instalación en un lugar bien ventilado, alejado de cualquier material inflamable y/o líquidos. La instalación debe ser fijada al menos a 50 cm. de distancia de los muros circundantes.
- No cubra ninguna apertura de ventilación ya que esto podría resultar en sobrecalentamiento.
- Evite su uso en ambientes polvorientos y limpie la unidad regularmente.
- Mantenga la unidad alejada de los niños.
- Personas sin experiencia no deberían manejar este aparato.
- La temperatura máxima de ambiente es 40°C. No use esta unidad a temperaturas más elevadas.
- Asegúrese de que el área por debajo del sitio de instalación está libre de personas ajenas durante el montaje, desmontaje y reparación.
- Siempre desenchufe la unidad cuando no la use por un periodo de tiempo largo o antes de comenzar una reparación.
- La instalación eléctrica debería ser llevada a cabo sólo por personal cualificado, acorde a las regulaciones para seguridad eléctrica y mecánica de su país.
- Compruebe que el voltaje disponible no es superior al que aparece en el panel trasero de la unidad.
- El cable de alimentación debería estar siempre en perfectas condiciones: apague el aparato inmediatamente cuando el cable de alimentación esté roto o dañado. Debe ser substituido por el fabricante, su servicio técnico o otra persona cualificada.
- ¡Nunca deje el cable de alimentación entrar en contacto con otros cables!
- Esta instalación debe ser conectada a tierra para cumplir con las regulaciones de seguridad.
- No conecte la unidad a ningún paquete de reducción de luz.
- Siempre use un cable de seguridad apropiado y certificado cuando instale la unidad.
- Para prevenir descargas eléctricas, no abra la tapa. No hay partes que puedan ser reparadas por el usuario en su interior.
- **Nunca** repare un fusible o haga un bypass al fusible. ¡Siempre sustituya el fusible dañado por un fusible del mismo tipo y especificaciones eléctricas!

- En el caso de problemas serios de manejo, deje de usar la instalación y contacte con su vendedor inmediatamente.
- La carcasa y las lentes deben ser cambiadas si hay daño visible.
- Por favor, use el empaquetado original cuando el aparato deba ser transportado.
- Debido a motivos de seguridad está prohibido hacer modificaciones sin autorizar a la unidad.

Importante: ¡Nunca mire directamente a la fuente de luz! No use el efecto en presencia de personas que sufran de epilepsia.

DESCRIPTION:



1. Entrada de red eléctrica con toma IEC: conecte el cable de red aquí suministrado.
2. Toma de salida con enchufe IEC: para facilitar el encadenamiento puede utilizar un cable de alimentación IEC para conectar esta salida con la red de entrada del próximo unidad (max.40 Matrix Led).
3. Entrada DMX.
4. Salida DMX.
5. Entrada de jack de ¼" para el controlador manual CA-8 opcional.
6. Micrófono interno.
7. Sensibilidad de control de nivel de audio.
8. Soporte colgante dos perillas a ambos lados para sujetar la unidad y un agujero de montaje para instalar el gancho de montaje.
9. Gran lente óptica para una máxima emisión luminosa y gran ángulo de haz de 54°
10. LED esclavo: se enciende cuando la unidad está en modo esclavo.
11. LED de sonido: parpadea al ritmo de la música mientras la unidad está en modo audio.
12. LED DE DMX: se enciende cuando la unidad recibe una señal DMX
13. LED maestro: se enciende cuando la unidad está en modo maestro.
14. Botón MENU: se utiliza para seleccionar los diferentes elementos del menú.
15. BOTÓN DOWN: para bajar en el menú y reducir los valores que se muestran en la pantalla.
16. BOTÓN UP: para subir en el menú y aumentar los valores que se muestran en la pantalla.
17. Botón ENTER: se utiliza para confirmar su selección.
18. DISPLAY muestra los varios menús y las opciones seleccionadas.

APAREJADO SUPERIOR

- **Importante:** La instalación debe ser llevada a cabo sólo por personal cualificado. Una instalación impropia podría resultar en serias heridas y/o daño a la propiedad. ¡El aparejado superior requiere

- una larga experiencia! Los límites de las cargas de trabajo deben respetarse, materiales certificados de instalación deben ser usados, el aparato instalado debería ser inspeccionado regularmente por seguridad.
- Asegúrese de que el área por debajo del sitio de instalación está libre de personas ajenas durante el montaje, desmontaje y reparación.
- Coloque la instalación en un sitio bien ventilado, lejos de cualquier material inflamable y/o líquidos. La instalación debe ser fijada al menos a 50cm de los muros circundantes.
- El aparato debería ser instalado fuera del alcance de la gente y fuera de áreas donde personas puedan caminar o sentarse.
- Antes del aparejado asegúrese de que el área de instalación puede soportar un mínimo punto de carga de 10 veces el peso del aparato.
- Siempre use un cable de seguridad certificado que pueda sostener 12 veces el peso del aparato. Este añadido secundario de seguridad debería ser instalado de una forma que no hubiera parte de la instalación que pudiera caer más de 20cm si el añadido principal falla.
- El aparato debe ser bien fijado, ¡un montaje que se mueva con libertad es peligroso y no debe considerarse!
- No cubra ninguna apertura de ventilación ya que esto podría resultar en sobrecalentamiento.
- El operador tiene que asegurarse de que las instalaciones relativas a seguridad, maquinaria y técnica están aprobadas por un experto antes de usarlas la primera vez. Las instalaciones deberían ser inspeccionadas cada año por una persona con conocimientos para asegurar que la seguridad es todavía óptima.

INSTALACIÓN ELÉCTRICA + DIRECCIONAMIENTO

Importante: La instalación eléctrica debe ser realizada exclusivamente por personal cualificado, según las normas de seguridad eléctrica y mecánica en vigor en su país.

- Inserte el cable de red eléctrica. La unidad comienza a funcionar instantáneamente en modalidad independiente.
- **Observación 1:** Puede conectar un controlador CA-8 remoto a la unidad si desea disponer de más control. Consulte "Manejo de la unidad" para saber cómo hacerlo.
- **Observación 2:** Si no hay emisión, asegúrese de establecer la unidad en modo maestro (consulte el capítulo siguiente)

Instalación eléctrica de una o más unidades en modalidad maestra/eslava:

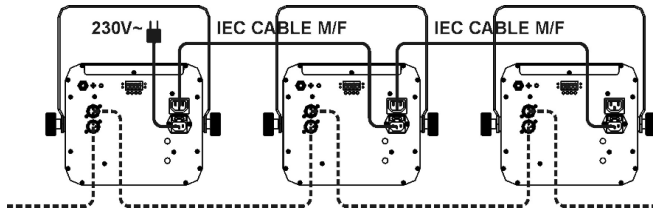
- Conecte de 2 a un máximo de 16 unidades juntas mediante cables de micrófono equilibrados de buena calidad. Establezca la primera unidad de la cadena en modo maestro, el resto debe establecerse en modo esclavo (SL1 o SL2). Consulte el capítulo siguiente para obtener más información.
- Asegúrese de que todas las unidades están conectadas a la red eléctrica.
- ¡Ya está!
- **Observación:** Puede conectar un controlador CA-8 remoto a la unidad maestra si desea disponer de más control sobre el funcionamiento maestro/esclavo.

Instalación eléctrica en modo DMX:

El protocolo DMX es una señal de alta velocidad muy utilizada para controlar equipamiento de iluminación inteligente. Necesita "encadenar" su controlador DMX y todas las unidades conectadas con un cable balanceado de buenacalidad.

- Se utilizan tanto los conectores XLR-3PIN como XLR-5PIN, sin embargo XLR-3pin es más popular porque estos cables son compatibles con los cables balanceados de audio.
Disposición XLR-3pin: Pin1 = GND ~ Pin2 = señal Negativa (-) ~ Pin3 = señal Positiva (+)
Disposición XLR-5pin: Pin1 = GND ~ Pin2 = señal Negativa (-) ~ Pin3 = señal Positiva (+) ~ Pins4+5 no usado.
- Para evitar un funcionamiento anormal de los efectos de luz debidos a interferencias, debe usar un termlinal de 90Ω a 120Ω al final de la cadena. No use nunca cables divisores en Y, no funcionará.
- Asegúrese de que todas las unidades estén conectadas a la corriente.
- Cada efecto de luz de la cadena necesita una dirección de inicio adecuada de modo que detecte las informaciones del controlador. En la sección siguiente aprenderá a establecer las direcciones DMX.





AJUSTE DE LA DIRECCIÓN DE INICIO CORRECTA:

Consulte el capítulo siguiente (ajuste de dirección DMX-512) para saber cómo ajustar la dirección de inicio en esta unidad. La dirección de inicio de cada unidad es muy importante. Lamentablemente es imposible decirle en este manual de usuario qué dirección de inicio debe ajustar porque esto dependerá completamente del controlador que utilice... Consulte el manual de usuario de su controlador DMX para saber que direcciones de inicio debe ajustar.

Ejemplo de configuración de diferentes configuraciones de canal:

- **1 Canal:** 001 (unidad 1), 002 (unidad 2), 003 (unidad 3), ... → intervalos de 1 canal
- **4 Canales:** 001 (unidad 1), 005 (unidad 2), 009 (unidad 3), ... → intervalos de 4 canales
- **256 Canales:** 001 (unidad), 257 (unidad) → intervalos de 256 canales

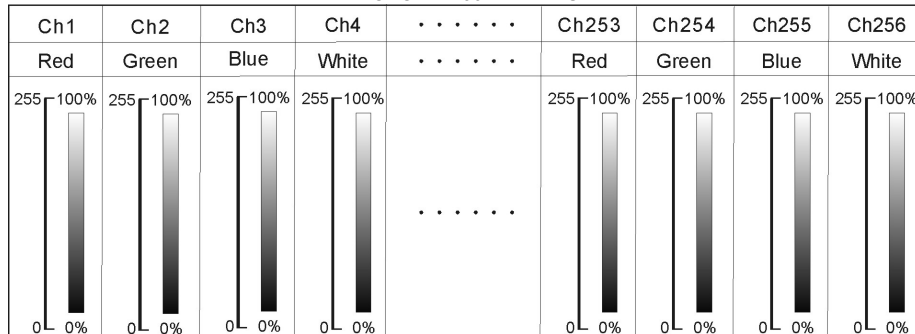
CONFIGURACIÓN DMX DE MYSTERY MATRIX LED:

MODO DE 1 CANAL

MODO DE 4 CANALES

Ch1		Ch2		Ch3		Ch4	
Chase	Function	Pattern CH1=10-99	Chase CH1=100-239	Color CH1=10-99	Chase Speed CH1=100-239	Strobe	
240-255	Random Chase	236-255 Pattern 12	236-255 Chase 12	239-255 R+G+B+W	255 Fast	---	
218-239	Chase 12	215-235 Pattern 11	215-235 Chase 11	222-238 G+B+W		---	
198-217	Chase 11	194-214 Pattern 10	194-214 Chase 10	205-221 R+B+W		---	
178-197	Chase 10	173-193 Pattern 9	173-193 Chase 9	188-204 R+G+W		---	
158-177	Chase 9	151-172 Pattern 8	151-172 Chase 8	171-187 R+G+B		---	
138-157	Chase 8	130-150 Pattern 7	130-150 Chase 7	154-170 B+W		10-255	---
128-137	Chase 7	109-129 Pattern 6	109-129 Chase 6	137-153 G+W			---
108-127	Chase 6	088-108 Pattern 5	088-108 Chase 5	120-136 G+B			---
88-107	Chase 5	066-087 Pattern 4	066-087 Chase 4	103-119 R+W			---
68-87	Chase 4	042-065 Pattern 3	042-065 Chase 3	086-102 R+B			---
48-67	Chase 3	021-041 Pattern 2	021-041 Chase 2	069-085 R+G			---
29-47	Chase 2	000-020 Pattern 1	000-020 Chase 1	052-068 W			---
10-28	Chase 1			035-051 B			---
0-9	OFF			018-034 G	0 Slow		0-9 Stop
				000-017 R			

MODO DE 256 CANALES



Hay disponibles 3 modos DMX: Modo 1CH, 4CH y 256CH:

Modo 1 canal:

Este modo es muy fácil al uso: solamente se necesita 1 canal DMX para elegir 1 de los 11 sound chases preprogramados con el uso posible de nuestro Effect Commander para encender/apagar la unidad (switch pack no es necesario).

Modo de 4 canales:

Usted puede tomar el control total de todas las funciones del efecto.

- Canal 1: cambiar la unidad de encendido / apagado y seleccione el modo de trabajo de los canales 2 + 3.
- Canal 2: dependiendo del ajuste del canal 1 se puede seleccionar 1 de 12 modelos y 12 programas.
- Canal 3: dependiendo del ajuste del canal 1 se puede seleccionar 1, de 15 combinaciones de colores o establecer un programa de velocidad.
- Canal 4: seleccione la frecuencia estroboscópica.

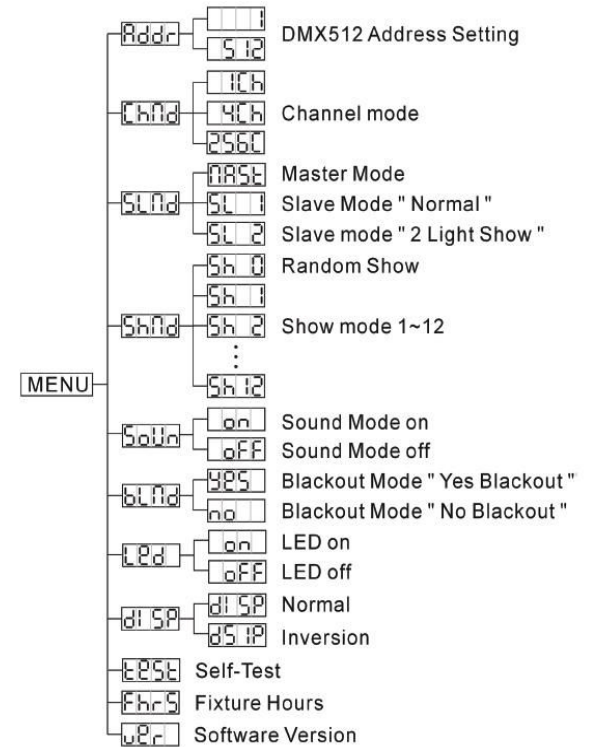
Modo de 256 canales:

Para conseguir la máxima flexibilidad y creatividad, usted puede programar todos los LED de la unidad. Tenga en cuenta que en este modo, la unidad utiliza canales DMX-256: tantos canales de programación sólo es conveniente adaptar con DMX-software en un PC.

CONFIGURACIÓN:

MENÚ PRINCIPAL:

- Para seleccionar cualquiera de las opciones del menú, pulse el botón **MENU** hasta que se muestre en pantalla la que desea.
 - Seleccione la función con el botón **ENTER**. La pantalla parpadeará.
 - Utilice los botones **DOWN** y **UP** para seleccionar la opción de menú deseada.
 - Una vez que haya seleccionado la opción deseada, pulse el botón **ENTER** para seleccionar.
 - Presione el botón **MENU** para 2 segundos para guardar los ajustes y volver al modo normal de trabajo.
- La estructura del menú se muestra a continuación.



Addr Ajuste de la dirección

DMX512
Se utiliza para ajustar la dirección de inicio en una configuración DMX.

- Pulse el botón **MENU** **Addr** hasta que se muestre en la pantalla.
- Pulse el botón **ENTER**, la pantalla comienza a parpadear.
- Utilice los botones **DOWN** y **UP** para cambiar la dirección DMX512.
- Una vez que se muestre la dirección correcta en pantalla, pulse el botón **ENTER** para guardarla.
- (o volver automáticamente a las funciones principales sin hacer ningún cambio tras 8 segundos)
- Pulse el botón **MENU** durante aproximadamente 2 segundos para volver al modo de ejecución.

**Modalidad Canal**

Se utiliza para ajustar el número de canales DMX.

- Pulse el botón MENU hasta que se muestre en la pantalla.
- Pulse el botón ENTER, la pantalla comienza a parpadear.
- Utilice el botón DOWN y UP para seleccionar la modalidad (1 Canal), (4 Canales) u (256 Canales).
- Una vez que haya seleccionado la modalidad, pulse el botón ENTER para configurarla.
(o volver automáticamente a las funciones principales sin hacer ningún cambio tras 8 segundos)
- Pulse el botón **MENU** durante aproximadamente 2 segundos para volver al modo de ejecución.

**Modo de funcionamiento**

Se utiliza para establecer la unidad en modo maestro o esclavo.

- Pulse el botón MENU hasta que se muestre en la pantalla.
- Pulse el botón ENTER, el modo de funcionamiento actual comenzará a parpadear en la pantalla.
- Use los botones DOWN y UP para seleccionar (maestro), (esclavo in sinc. con maestro) o (2 espectáculos de luces – esclavo en antisinc. con maestro).
- Una vez que haya seleccionado el modo, pulse el botón ENTER para guardarlo.
(o volver automáticamente a las funciones principales sin hacer ningún cambio tras 8 segundos)
- Pulse el botón **MENU** durante aproximadamente 2 segundos para volver al modo de ejecución.

**Modalidad Espectáculo**

Se utiliza para seleccionar uno de los espectáculos preprogramados cuando se utiliza en modo independiente o maestro/esclavo

- Pulse el botón MENU hasta que se muestre en la pantalla.
- Pulse el botón ENTER, el espectáculo actual comenzará a parpadear en la pantalla.
- Use los botones DOWN y UP para seleccionar uno de los espectáculos preprogramados:
 - → todos los espectáculos se reproduce en modo aleatorio.
 - → → 12 shows.
- Una vez que se muestre el espectáculo correcto en pantalla, pulse el botón ENTER para guardarlo.
- Pulse el botón **MENU** durante aproximadamente 2 segundos para volver al modo de ejecución.

**Modo de sonido**

Se utiliza para seleccionar el modo de sonido que debe activar los espectáculos.

- Pulse el botón MENU hasta que aparezca en la pantalla.
- Pulse el botón ENTER para confirmar la opción elegida.
- Use los botones DOWN y UP para seleccionar uno de los modos disponibles:
 - (modo de sonido activado) → los espectáculos son activados por el micrófono interno.
 - (modo de sonido desactivado) → los espectáculos son activados por la velocidad seleccionada para éstos.
- Una vez que haya seleccionado el modo que desee, pulse el botón ENTER para confirmar su selección.
- Pulse el botón **MENU** durante aproximadamente 2 segundos para volver al modo de ejecución.

**Modalidad Oscurecimiento**

Modalidad Oscurecimiento: cuando no se detecta ninguna señal DMX, la unidad entra en oscurecimiento.

Sin modalidad Oscurecimiento: cuando no se detecta ninguna señal DMX, la unidad pasa automáticamente a modo maestro

- Pulse el botón MENU hasta que se muestre en la pantalla.
- Pulse el botón ENTER, la selección actual comenzará a parpadear en la pantalla.
- Use los botones DOWN y UP para seleccionar **YES** (oscurecimiento) o **NO** (sin oscurecimiento).
- Una vez que haya seleccionado el modo, pulse el botón ENTER para guardarlo.
(o volver automáticamente a las funciones principales sin hacer ningún cambio tras 8 segundos)

**Pantalla de LED**

Pantalla encendida: la pantalla siempre está encendida.

Pantalla apagada: la pantalla está apagada cuando no se utiliza.

- Pulse el botón MENU hasta que la pantalla muestre .
- Pulse el botón ENTER, la pantalla comienza a parpadear.
- Utilice los botones DOWN y UP para seleccionar (pantalla siempre encendida) o (pantalla apagada cuando no se utiliza).
- Una vez que haya seleccionado el modo, pulse el botón ENTER para guardarlo.
(o volver automáticamente a las funciones principales sin hacer ningún cambio tras 8 segundos)
- Pulse el botón **MENU** durante aproximadamente 2 segundos para volver al modo de ejecución.

**Inversión de pantalla**

Pantalla normal: la pantalla se puede leer cuando la unidad está en el suelo.

Inversión de pantalla: la pantalla se puede leer cuando la unidad está montada al revés.

- Pulse el botón MENU hasta que parpadee en la pantalla. (pantalla normal)
- Utilice el botón ENTER para cambiar a la modalidad (inversión de pantalla), la opción se almacenará automáticamente después de 8 segundos. O pulse el botón ENTER de nuevo para volver a la modalidad (pantalla normal).
- Para volver a las funciones pulse el botón MENU.

**Self-Test**

- Pulse el botón MENU hasta que la pantalla muestre .
- Pulse el botón ENTER: la unidad funcionará en el programador incorporado para la auto-prueba.
- Para volver a las funciones pulse el botón MENU.

**Horas del aparato**

Se utiliza para mostrar el número de horas de funcionamiento de la unidad.

- Pulse el botón MENU hasta que la pantalla muestre .
- Pulse el botón ENTER para mostrar el número de horas de funcionamiento en la pantalla.
- Para volver a las funciones pulse el botón MENU.

**Versión de software:**

Se utiliza para mostrar la versión de software de la unidad.

- Pulse el botón MENU hasta que la pantalla muestre .
- Pulse el botón ENTER para mostrar la versión de software de la unidad.
- Para volver a las funciones pulse el botón MENU.

MANEJO DE LA UNIDAD**PUEDE MANEJAR LA UNIDAD DE 3 FORMAS:**

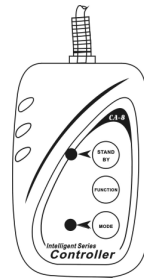
- Mediante la función preprogramada incorporada maestra/esclava
- Mediante el controlador fácil CA-8
- Mediante controlador universal DMX (1, 4 & 256 canales en modalidad DMX)
- **MEDIANTE LA FUNCIÓN PREPROGRAMADA INCORPORADA MAESTRA/ESCLAVA:**
 Seleccione esta unidad cuando desee un espectáculo luminoso instantáneo. Uniendo las unidades en conexión maestra/esclava, la primera unidad controlará el resto de unidades para proporcionar un espectáculo luminoso automático, sonoro y sincronizado. Su entrada DMX no tendrá nada conectado y su LED de maestra estará encendido constantemente y el LED de sonido parpadeará con la música.
¡Importante! ¡Esta función sólo funciona cuando la modalidad de oscurecimiento en el menú de la unidad maestra esté desactivada, en caso contrario, no ocurrirá nada! Lea más sobre esta opción en el párrafo “Configuración”.

- **MAESTRA dispone de 12 espectáculos incorporados:** Puede seleccionar **SH0** (espectáculo 0) a **SH12** (espectáculo 12) directamente en el menú de la unidad maestra.
- **ESCLAVA dispone de 2 opciones de funcionamiento:** Las otras unidades se ajustan en modalidad esclava (el LED de esclava está constantemente encendido). Para crear un gran espectáculo luminoso, puede introducir movimientos de contraste → En el menú de las unidades esclavas, puede ir a la opción **SLnd** y seleccionar:
 - **SLn** → **Esclava normal:** la unidad esclava funciona en sincronización con la maestra.
 - **SL2** → **Espectáculo de 2 luces:** la unidad esclava funciona en oposición a la maestra.

MEDIANTE CONTROLADOR FÁCIL:

Cuando se utiliza en modalidad maestra/esclava, le recomendamos encarecidamente que utilice el "controlador fácil" CA-8. Conecte este pequeño controlador al jack de 1/4" de la unidad maestra y podrá controlar las siguientes **FUNCIONES:**

Standby	Oscurece la unidad	
Function	1/ Sound Strobe Blanco 2/ Sound Color Strobe	Select Show (show 1-12)
Mode	Sound/Strobe (LED OFF)	Color (LED ON)



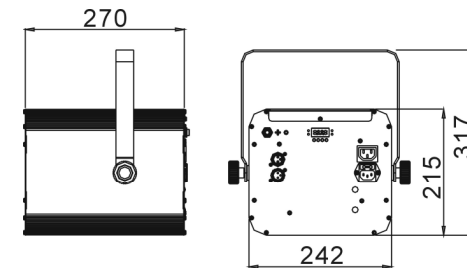
MANTENIMIENTO

- Asegúrese de que el área por debajo del sitio de instalación está libre de personas ajenas durante la reparación.
- Apague la unidad, desconecte el cable principal y espere hasta que la unidad se haya enfriado.
- **Durante la inspección los siguientes puntos deben ser comprobados:**
- Todos los tornillos usados para la instalación del aparato y cualquiera de sus partes deben ser apretados fuertemente y no pueden estar corroidos.
- Carcasas, fijaciones y puntos de instalación (techos, armaduras, suspensiones) deberán estar totalmente libres de ninguna deformación.
- Cuando una lente óptica esté visiblemente dañada debido a golpes o rayados profundos, debe ser cambiada.
- Los cables principales deben estar en una condición impecable y deben ser cambiados de inmediato cuando incluso un pequeño problema se detecte.
- En orden de proteger al aparato de sobrecalentamiento, los ventiladores de enfriamiento (caso de haberlos) y las aperturas de ventilación deberían ser limpiados mensualmente.
- El interior del aparato debería ser limpiado anualmente usando una aspiradora o máquina de aire.
- La limpieza de lentes y/o espejos internos y externos debe ser llevada a cabo periódicamente para optimizar la salida de luz. La frecuencia de limpieza depende del ambiente en el cual la instalación está funcionando: húmedo, con humo o con alrededores particularmente sucios puede causar una mayor acumulación de polvo en las ópticas de la unidad.
 - Limpie con un trapo suave usando productos limpiadores normales de cristal.
 - Seque siempre las partes cuidadosamente.
 - Limpie las ópticas externas al menos una vez cada 30 días.
 - Limpie las ópticas internas al menos una vez cada 90 días.

Atención: ¡Recomendamos con insistencia que la limpieza interna sea llevada a cabo por personal cualificado!

ESPECIFICACIONES

- Alimentación:** AC 230V, 50Hz
- Consumo de energía:** 29 Watio
- Fusible:** 250V 6,3A Volado lento (cristal de 20mm)
- Control de sonido:** Micrófono Interno
- Conexiones DMX :** 3pin XLR macho / hembra
- Canales DMX usados:** 1, 4 o 256 canales
- Lámpara:** 256 LEDs (64R + 64G + 64B + 64W)
- Tamaño:** 270 x 242 x 317mm
- Peso:** 3,8kg



Toda la información está sujeta a cambios sin previo aviso
 Puede descargar la última versión de este manual de usuario en nuestro sitio web: www.beglec.com

MANUAL DO UTILIZADOR

Obrigado por ter adquirido este produto da JB Systems®. De modo a tirar total proveito das possibilidades deste produto, por favor leia este manual com atenção.

CARACTERÍSTICAS

Esta unidade está protegida contra interferências rádio. Este produto cumpre as exigências impostas pelas presentes directivas nacionais e europeias. A conformidade deste produto foi comprovada e as declarações e documentos relevantes foram efectuados pelo fabricante.

- Esta unidade destina-se a produzir efeitos luminosos decorativos e é utilizada em sistemas de espectáculos de luz.
- Um efeito em LED espectacular e muito poderoso.
- Através do DMX cada um dos 256 LEDs de potência (vermelho = 64 + verde = 64 + Azul = 64 + branco=64) pode ser controlado.
- Modos de funcionamento diferentes podem ser seleccionados através do visor LED de 4 dígitos
 - Autónomo: activado por som activado com microfone interno
 - Master/slave: Espectáculos maravilhosos sincronizados
 - Disponível como opcional o controlo remoto CA-8
 - Diferentes modos DMX:
 - Através de 256 canais DMX pode criar espectaculares padrões de texto, figuras geométricas, varrimento, rolamento e rotação dinâmica e efeitos de zoom!
 - O modo de 1 canal DMX torna a operação extremamente fácil
 - Com o modo de 4 canais DMX permite o controlo total sobre os programas incorporados
- Cores extremamente brilhantes comparadas a efeitos com lâmpadas de halogéneo
- Sem substituição de lâmpadas!
- Virtualmente sem produção de calor e consumo muito baixo de energia
- Controlo de intensidade 0-100% e função strobe ultra rápida
- Equipado com lentes ópticas grandes para uma saída de luz máxima e ângulo de feixe de 54°

ANTES DE UTILIZAR

- Antes de utilizar esta unidade verifique se existem danos provocados durante o transporte. Caso existam danos aparentes, não utilize a unidade e contacte o seu revendedor.
- **Importante:** Esta unidade deixou a nossa fábrica em perfeitas condições e devidamente embalada. É imprescindível que o utilizador siga as instruções de segurança e avisos descritos neste manual. Quaisquer danos provocados por utilização incorrecta não serão cobertos pela garantia. O revendedor não será responsável por quaisquer danos ou problemas causados pelo incumprimento das instruções deste manual.
- Guarde este manual num local seguro para consulta futura. Caso venda esta unidade, forneça este manual.

Verifique o conteúdo:

Certifique-se que a caixa contém os seguintes artigos:

- Manual do utilizador
- Unidade MATRIX LED
- Cabo de alimentação

INSTRUÇÕES DE SEGURANÇA:



ATENÇÃO: De forma a evitar o risco de choque eléctrico, não remova peças da unidade. Não tente fazer reparações. Contacte pessoal qualificado



O símbolo composto por um triângulo equilátero com um relâmpago no interior alerta para a presença de voltagem perigosa não isolada no interior do produto que poderá constituir risco de choque eléctrico.



O símbolo composto por um triângulo equilátero com um ponto de exclamação alerta o utilizador para a presença de instruções importantes de utilização e manutenção do produto.



Este símbolo significa: utilização unicamente em espaços fechados



Este símbolo significa: Leia instruções



Este símbolo significa: Aparelho Classe I



Este símbolo determina: a distância mínima dos objetos iluminados. A distância mínima entre o projetor e o objeto iluminado deve ser mais de 0,5 metros

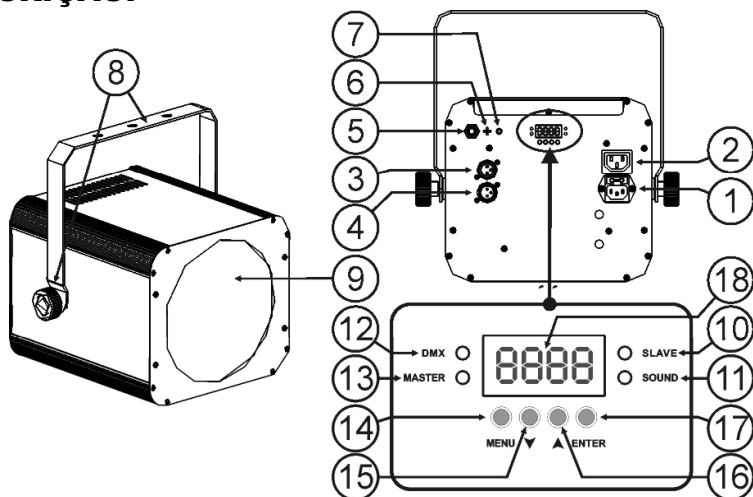


Este produto é adequado para montagem em superfícies inflamáveis standard. Na categoria de superfícies inflamáveis standard estão incluídos materiais de construção como madeira e materiais baseados em madeira com mais de 2 mm de espessura

- Proteja o ambiente. Recicle o material desta embalagem.
- De modo a evitar risco de fogo ou choque eléctrico, não exponha este produto a chuva ou humidade.
- De forma a evitar a formação de condensação no interior da unidade, ao transportá-la para ambiente quente aguarde algum tempo de modo a que haja uma ambientação à temperatura. A condensação poderá afectar o desempenho da unidade ou até danificá-la.
- Esta unidade destina-se unicamente a utilização em espaços fechados.
- Não introduza objectos de metal nem verta líquidos no interior do produto, correrá risco de choque eléctrico ou poderá danificar o produto. Caso algum objecto estranho entre em contacto com o interior da unidade, desligue-a de imediato da corrente.
- Coloque esta unidade num local arejado, afastado de materiais inflamáveis e/ou líquidos. Esta unidade deverá ser instalada a pelos menos 50cm de distância de paredes circundantes.
- Não cubra os orifícios de ventilação ou a unidade poderá sobreaquecer.
- Evite locais com poeiras. Limpe a unidade regularmente.
- Mantenha esta unidade fora do alcance das crianças.
- Esta unidade deverá ser operada unicamente por pessoas experientes.
- Temperatura ambiente de funcionamento máxima é de 40°C. Não utilize esta unidade a temperaturas ambientes mais elevadas.
- Certifique-se de que não irão passar pessoas sob a área de instalação da unidade durante a instalação e manutenção.
- Desligue sempre a unidade da corrente quando não a utilizar durante longos períodos de tempo ou antes de efectuar manutenção.
- A instalação eléctrica deve ser efectuada unicamente por pessoal qualificado, cumprindo os regulamentos de segurança em instalações eléctricas e mecânicas do seu país.
- Certifique-se que a voltagem a utilizar não é superior à voltagem indicada no painel traseiro da unidade.
- O cabo de alimentação deverá estar sempre em perfeitas condições. Desligue a unidade e substitua imediatamente o cabo caso este apresente algum dano. Deverá ser substituído pelo fabricante, pelo agente autorizado ou pessoal qualificado de modo a evitar um acidente.
- Nunca permita que este cabo entre em contacto com outros cabos!
- Esta unidade deverá estar ligada à Terra de forma a respeitar as regras de segurança.
- Não ligue a unidade a reguladores de intensidade.
- Utilize sempre um cabo de segurança aprovado ao instalar a unidade.
- De forma a não correr risco de choque eléctrico não abra a cobertura da unidade. Não existem peças que possam ser substituídas pelo utilizador.
- **Nunca** repare um fusível nem tente operar a unidade sem fusível. Substitua **sempre** um fusível danificado por outro com as mesmas características!
- Em caso de problemas sérios de funcionamento, interrompa a utilização da unidade e contacte imediatamente o seu revendedor.
- A cobertura e as lentes deverão ser substituídas caso apresentem danos visíveis.
- Caso seja necessário transportar a unidade utilize a embalagem original.
- Por motivos de segurança, são proibidas quaisquer alterações não autorizadas à unidade.

Importante: Nunca olhe directamente para a luz! Não utilize este efeito luminoso na presença de pessoas epiléticas.

DESCRIÇÃO:



1. FONTE DE ALIMENTAÇÃO: Conector IEC. Ligue o cabo de alimentação fornecido a este conector
2. Saída de energia com ficha IEC: pode usar um cabo de energia especial IEC para conectar esta saída com a entrada de energia do próximo MATRIX LED para uma ligação simplificada (max 40).
3. Conector entrada de DMX
4. Conector saída de DMX
5. Entrada jack de 1/4" para conectar o comando opcional CA-8
6. Microfone interno
7. Controle do nível de áudio.
8. Suporte de suspensão: Contém 2 parafusos de aperto em ambos os lados para fixar a unidade e um orifício para aplicação de um gancho de montagem.
9. Lente óptica grande para uma saída de luz máxima e ângulo de feixe de 54°
10. Slave LED: está aceso quando a unidade está em modo Slave
11. Sound LED: pisca ao ritmo da música quando a unidade está em modo áudio.
12. DMX LED: está aceso quando a unidade recebe sinal DMX
13. Master LED: está aceso quando a unidade está em modo Master
14. Botão MENU: usado para escolher as diferentes opções dos menus
15. Botão DOWN: para voltar atrás no menu e para baixar os valores mostrados no visor.
16. Botão UP: para subir no menu e para aumentar os valores mostrados no visor.
17. Botão ENTER: usado para confirmar as suas escolhas.
18. Visor: mostra os vários menus e as funções seleccionadas.

INSTALAÇÃO EM SUSPENSÃO

- **Importante:** A instalação deve ser efectuada unicamente por pessoal qualificado. Uma instalação incorrecta pode resultar em ferimentos graves e/ou danos na sua propriedade. Para efectuar uma instalação em suspensão é necessária muita experiência! Respeite os limites de carga, utilize materiais de instalação aprovados e inspecione a unidade instalada regularmente de forma a assegurar a segurança.
- Certifique-se que sob a área de instalação da unidade não irão passar pessoas durante a instalação e manutenção.
- Coloque esta unidade num local arejado, afastada de materiais inflamáveis e/ou líquidos. Esta unidade

- deverá ser instalada a **pelos menos 50cm** de distância de paredes circundantes.
- A unidade deve ser instalada fora do alcance das pessoas; afastada de áreas onde as pessoas possam passar ou sentar-se.
- Antes de proceder à instalação certifique-se que a área seleccionada pode suportar uma carga mínima de 10 vezes o peso da unidade.
- Na instalação, utilize sempre um cabo de segurança aprovado com capacidade para suportar 12 vezes o peso da unidade. Esta medida de segurança secundária deverá ser instalada de forma a que nenhuma parte da instalação possa cair mais de 20cm caso o ponto de apoio principal ceda.
- A unidade deverá ser fixa firmemente. Uma instalação oscilante pode ser perigosa e não deverá ser efectuada!
- Não cubra os orifícios de ventilação ou a unidade poderá sobreaquecer.
- O utilizador da unidade deverá certificar-se que a instalação é aprovada em termos de segurança e em termos técnicos por uma pessoa qualificada antes de efectuar a primeira utilização. A instalação deverá ser inspecionada todos os anos por um técnico qualificado de forma a certificar-se que a segurança está assegurada.

INSTALAÇÃO ELÉCTRICA + CONFIGURAÇÃO

⚠ Importante: A instalação eléctrica deve ser feita apenas por pessoal qualificado, de acordo com os regulamentos para segurança eléctrica e mecânica no vosso país.

Instalação eléctrica para 1 unidade em autónomo:

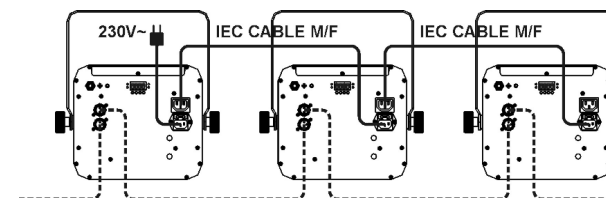
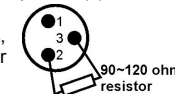
- Insira o cabo de alimentação. A unidade começa a trabalhar imediatamente em modo autónomo
- Nota 1:** Pode conectar um comando remoto CA-8 à unidade se desejar ter mais controlo. Consulte a secção "Como utilizar a unidade" para aprender como fazer isto.
- Nota 2:** Se não existir saída, por favor verifique se a unidade está em modo Master (ver capítulo próximo)

Instalação eléctrica para 2 ou mais unidade em master/slave:

- Conecte de 2 a um máximo de 16 unidades juntas usando cabos de microfone balanceados de boa qualidade. Coloque a primeira unidade da série em modo Master, as restantes deverão ser colocadas em modo Slave (SL1 ou SL2). Ver o capítulo próximo para mais informação.
- Verifique se todas as unidades estão ligadas á corrente.
- Pronto!
- Nota:** Pode conectar um comando remoto CA-8 à unidade master se desejar ter mais controlo sobre a operação master/slave.

Instalação eléctrica em modo DMX:

- O protocolo DMX é um sinal de alta velocidade usado para controlar equipamento inteligente de luz. É necessário ligar em série o vosso controlador DMX a todas as unidades conectadas com um cabo balanceado de boa qualidade
- Ambos os conectores XLR 3 pinos e XLR 5 pinos são usados, mas os XLR 3 pinos são mais populares porque estes cabos são compatíveis com cabos de áudio balanceados.
Configuração XLR 3 pinos: Pino 1 = Terra ~ Pino 2 = Sinal negativo (-) ~ Pino 3 = Sinal positivo (+)
Configuração XLR 5 pinos: Pino 1 = Terra ~ Pino 2 = Sinal negativo (-) ~ Pino 3 = Sinal positivo (+) ~ Pinos 4+5 não são usados.
- Para prevenir comportamento estranho dos efeitos de luz, devido a interferências, deverá usar uma resistência de 90Ω a 120Ω no final da série. Nunca utilize divisor de cabo Y, isto simplesmente não funciona!
- Verifique se todas as unidades estão ligadas á corrente.
- Cada efeito de luz na série precisa de ter o seu próprio endereço inicial para saber quais os comandos do controlador que tem de decodificar. Na próxima secção irá aprender como configurar os endereços DMX.



• COMO DEFINIR O ENDEREÇO INICIAL CORRECTO:

Consulte o capítulo próximo (Configuração endereços DMX) para aprender como definir o endereço inicial desta unidade. O endereço inicial de cada unidade é muito importante. Infelizmente é impossível indicar neste manual qual o endereço inicial que deve utilizar porque depende completamente do controlador que irá utilizar... Por isso consulte o manual do seu controlador DMX para descobrir qual o endereço inicial que deverá utilizar.

Exemplo definições para diferentes configurações de canais:

- **Modo de canal 1:** 001 (unidade 1), 002 (unidade 2), 003 (unidade 3), ... → intervalos de 1 canal
- **Modo de canal 4:** 001 (unidade 1), 005 (unidade 2), 009 (unidade 3), ... → intervalos de 4 canais
- **Modo de canal 256:** 001 (unidade 1), 257 (unidade 2) → intervalos de 256 canais

CONFIGURAÇÃO DMX DO MATRIX LED:

MODO DE CANAL 1

MODO DE CANAL 4

Ch1		Ch2		Ch3		Ch4	
Chase	Function	Pattern CH1=10-99	Chase CH1=100-239	Color CH1=10-99	Chase Speed CH1=100-239	Strobe	
240-255 Random Chase 218-239 Chase 12 198-217 Chase 11 178-197 Chase 10 158-177 Chase 9 138-157 Chase 8 128-137 Chase 7 108-127 Chase 6 88-107 Chase 5 68-87 Chase 4 48-67 Chase 3 29-47 Chase 2 10-28 Chase 1 0-9 OFF	240-255 Sound Active 100-239 Chase 10-99 Pattern 0-9 OFF	236-255 Pattern 12 215-235 Pattern 11 194-214 Pattern 10 173-193 Pattern 9 151-172 Pattern 8 130-150 Pattern 7 109-129 Pattern 6 088-108 Pattern 5 066-087 Pattern 4 042-065 Pattern 3 021-041 Pattern 2 000-020 Pattern 1	236-255 Chase 12 215-235 Chase 11 194-214 Chase 10 173-193 Chase 9 151-172 Chase 8 130-150 Chase 7 109-129 Chase 6 088-108 Chase 5 066-087 Chase 4 042-065 Chase 3 021-041 Chase 2 000-020 Chase 1	239-255 R+G+B+W 222-238 G+B+W 205-221 R+B+W 188-204 R+G+W 171-187 R+G+B 154-170 B+W 120-136 G+B 103-119 R+W 086-102 R+B 069-085 R+G 052-068 W 035-051 B 018-034 G 000-017 R	255 Fast 0 Slow	10-255 Stop	⚡⚡⚡ ⚡⚡ ⚡

MODO DE CANAL 256

Ch1	Ch2	Ch3	Ch4	Ch253	Ch254	Ch255	Ch256
Red	Green	Blue	White	Red	Green	Blue	White
255 100% 0 0%	255 100% 0 0%	255 100% 0 0%	255 100% 0 0%	255 100% 0 0%	255 100% 0 0%	255 100% 0 0%	255 100% 0 0%

3 modos DMX estão disponíveis: Modo 1CH, 4CH e 256CH:

Modo de 1 canal:

Modo extremamente amigo do utilizador: necessita apenas de 1 canal DMX para escolher 1 das 11 sequências pré programadas que funcionam ao ritmo do som ou pode usar o nosso controlador Effect Commander para ligar / desligar a unidade. (não é necessário switch pack).

Modo de 4 canais:

Pode ter o controlo total de todas as funções do aparelho

- Canal 1: comutar a unidade de ligar / desligar e seleccionar como canais 2 + 3 trabalho.

- Canal 2: dependendo da configuração do canal 1 você pode seleccionar 1 de 12 padrões ou 12 programas chase.
- Canal 3: dependendo da configuração do canal 1 você pode seleccionar 1 de 15 combinações de cores ou escolher a velocidade de execução desejada.
- Canal 4: seleccionar a frequência STROBE.

Modo de 256 canais:

Para a máxima flexibilidade e criatividade, você pode programar todos os LED da unidade. Observe que neste modo a unidade utiliza canais DMX-256: programação tantos canais é conveniente apenas com um software DMX em um PC.

CONFIGURAR

MENU PRINCIPAL:

- Para seleccionar qualquer das opções do menu, pressione o botão **MENU** até que a desejada seja mostrada no visor.
- Confirme a função com o botão **ENTER**. O visor irá piscar.
- Use os botões **DOWN** (baixo) e **UP** (cima) para escolher a opção desejada.
- Assim que a opção desejada esteja seleccionada, pressione o botão **ENTER** para seleccionar. Após 8 segundos, o menu irá retornar às funções sem qualquer alteração. Para retornar às funções sem qualquer alteração pressione o botão **MENU**. A estrutura do menu é mostrada em baixo.

Addr Configuração endereços

DMX512
Usado para definir o endereço inicial numa configuração DMX.

- Pressione o botão **MENU** até que **Addr** seja mostrado no visor
- Pressione **ENTER** e o visor irá piscar.
- Utilize os botões **UP** e **DOWN** para alterar o endereço DMX512.

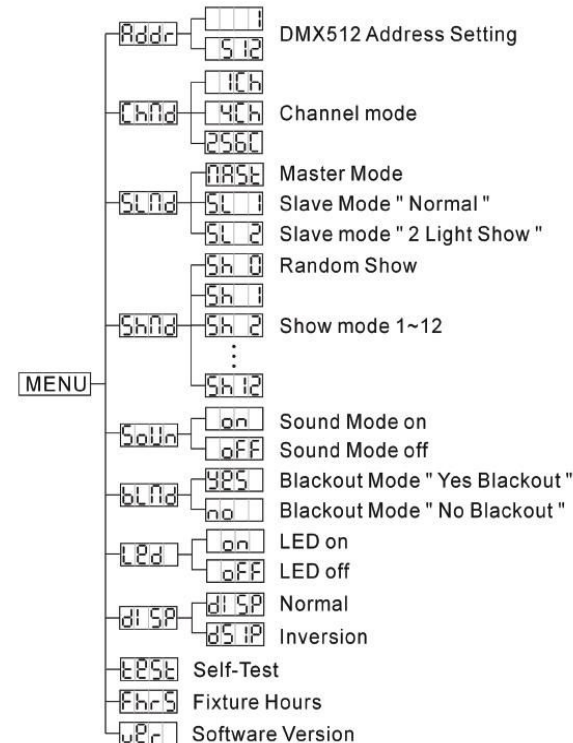
Após seleccionar o endereço, pressione **ENTER** para confirmar o endereço DMX ou voltará automaticamente às funções principais sem alterações 8 segundos depois

- Pressione o botão **MENU** por cerca de 2 segundos para regressar ao modo automático.

Chnd Modo Canal

Usado para definir o number de canais DMX.

- Pressione o botão **MENU** até que **Chnd** seja mostrado no visor.
- Pressione o botão **ENTER**, o visor começa a piscar.
- Use os botões **DOWN** e **UP** para seleccionar o modo **1CH** (1 canal), **4CH** (4 canais) ou **256CH** (256 canais)
- Assim que o modo esteja seleccionado, pressione o botão **ENTER** para configurar (ou automaticamente retornar às funções principais após 8 segundos).
- Pressione o botão **MENU** por cerca de 2 segundos para regressar ao modo automático.



SLND Modo Slave

Usado para colocar a unidade em modo Master ou Slave

- Pressione o botão **MENU** até que seja **SLND** mostrado no visor.
 - Pressione o botão **ENTER**, o modo de funcionamento corrente começa a piscar no visor.
 - Use os botões **DOWN** e **UP** para seleccionar **MAST** (master), **SLV** (slave em sincronia com o master) ou **SL2** (2 espectáculos de luz – slave em modo inverso com o master)
- Após seleccionar o modo, pressione **ENTER** para confirmar ou voltará automaticamente às funções principais sem alterações 8 segundos depois
- Pressione o botão **MENU** por cerca de 2 segundos para regressar ao modo automático.

SHND Modo Show

Usado para escolher um dos espectáculos programados quando usado em modo autónomo ou master/slave

- Pressione o botão **MENU** até que **SHND** seja mostrado no visor.
- Pressione o botão **ENTER**, o espectáculo corrente começa a piscar no visor.
- Use os botões **DOWN** e **UP** para seleccionar uma das programas incorporados :
 - **SH0** → todos os shows são reproduzidos no modo aleatório.
 - **SH1** a **SH12** → 12 espectáculos programados incorporados.
- Após seleccionar o modo, pressione **ENTER** para confirmar
- Pressione o botão **MENU** por cerca de 2 segundos para regressar ao modo automático.

SOUN Sound Mode

Usado para escolher o modo de som desejado para activar os programas.

- Pressione o botão **MENU** até que **SOUN** seja mostrado no visor.
- Pressione **ENTER**
- Use os botões **DOWN** e **UP** para seleccionar **ON** ou **OFF**:
 - **ON** (sound mode ON) → os programas são activados pelo microfone interno.
 - **OFF** (sound mode OFF) → os programas são activados pela velocidade seleccionada com os programas.
- Após seleccionar o modo, pressione **ENTER** para confirmar.
- Pressione o botão **MENU** por cerca de 2 segundos para regressar ao modo automático.

BLND Modo Blackout

Modo Blackout: Quando o sinal DMX não é detectado, a unidade entra em blackout

Sem modo blackout: Quando o sinal DMX não é detectado, a unidade automaticamente muda para o modo master.

- Pressione o botão **MENU** até que **BLND** seja mostrado no visor.
 - Pressione o botão **ENTER**, o visor irá começar a piscar.
 - Utilize os botões **UP** e **DOWN** para seleccionar **8 bd** (com blackout) ou **n bd** (sem blackout).
- Após seleccionar o modo, pressione **ENTER** para confirmar ou voltará automaticamente às funções principais sem alterações 8 segundos depois
- Pressione o botão **MENU** por cerca de 2 segundos para regressar ao modo automático.

LED Visor de Leds

Visor on: visor está sempre ligado

Visor off: visor está desligado quando não está a ser usado

- Pressione o botão **MENU** até que **LED** seja mostrado no visor.
 - Pressione o botão **ENTER**, o visor irá começar a piscar.
 - Utilize os botões **UP** e **DOWN** para seleccionar **ON** (LEDs acesos) ou **OFF** (LEDs apagados).
- Após seleccionar o modo, pressione **ENTER** para confirmar ou voltará automaticamente às funções principais sem alterações 8 segundos depois
- Pressione o botão **MENU** por cerca de 2 segundos para regressar ao modo automático.

DISP Inversão do Visor

Visor normal: O visor é legível quando a unidade está no chão.

Inversão do visor: O visor é legível quando a unidade é montada de pernas para o ar.

- Pressione o botão **MENU** até que **DISP** comece a piscar no visor
 - Pressione **ENTER** para mudar para modo **DISP** (inversão do visor). A opção será guardada automaticamente 8 segundos depois ou pressione **ENTER** novamente para voltar ao modo **DISP** (visor normal).
- Para retornar às funções pressione o botão **MENU**.
- Pressione o botão **MENU** por cerca de 2 segundos para regressar ao modo automático.

TEST Self-Test

- Pressione o botão **MENU** até que **TEST** seja mostrado no visor.
 - Pressione o botão **ENTER**: a unit irá efectuar o programa incorporado para auto teste.
- Para retornar às funções pressione o botão **MENU**.
- Pressione o botão **MENU** por cerca de 2 segundos para regressar ao modo automático.

Fhrs Horas da unidade

Usado para mostrar o numero de horas de trabalho da unidade

- Pressione o botão **MENU** até que **Fhrs** seja mostrado no visor.
 - Pressione o botão **ENTER** e a unidade irá mostrar o número de horas de funcionamento.
- Para retornar às funções pressione o botão **MENU**.
- Pressione o botão **MENU** por cerca de 2 segundos para regressar ao modo automático.

VERF Versão do Software:

Usado para mostrar a versão do software da unidade.

- Pressione o botão **MENU** até que **VERF** seja mostrado no visor.
 - Pressione o botão **ENTER** para mostrar a versão do software da unidade.
- Para retornar às funções pressione o botão **MENU**.
- Pressione o botão **MENU** por cerca de 2 segundos para regressar ao modo automático.

COMO UTILIZAR A UNIDADE

É POSSÍVEL OPERAR A UNIDADE DE 3 FORMAS:

- Através de programas incorporados em modo master/slave
- Através do controlador CA-8
- Através do controlador universal DMX (modo DMX de 1, 4 e 256 canais)

• ATRAVÉS DE PROGRAMAS INCORPORADOS EM MODO MASTER/SLAVE:

Esta função é útil para quando é necessário um espectáculo instantâneo. Ao ligar as unidades em modo master/slave, a primeira unidade irá controlar as restantes unidades e executar um espectáculo de luz sincronizado automático activado por som. Na sua entrada DMX não será ligado nada, o led Master estará sempre ligado e o led SOUND irá piscar ao ritmo da música.

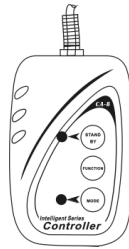
Importante! Esta função apenas funciona quando o modo Blackout no menu da unidade Master está definido como OFF, de outra forma nada irá acontecer. Saiba mais sobre esta opção no parágrafo “Como Configurar”

- **MASTER tem 12 programas incorporados:** Pode escolher **SH0** (show 0) a **SH12** (show 12) directamente no menu da unidade Master.
- **SLAVES tem 2 opções de funcionamento:** As outras unidades estão definidas para modo Slave (led SLAVE sempre ligado). Para criar um bom espectáculo de luz pode introduzir movimentos contrários → No menu das unidades Slave pode ir à opção **SLND** e escolher:
 - **SLV** → **Slave normal:** Unidade Slave funciona sincronizada com a Master.
 - **SL2** → **2 light show:** Slave funciona em oposto á Master.

• ATRAVÉS DO CONTROLADOR CA-8:

Quando usado em modo Master/Slave recomendamos vivamente que utilize o controlador CA-8. Conecte este pequeno controlador á entrada jack de ¼” da unidade Master, e irá ser possível controlar as seguintes funções:

Standby	Coloca a unidade em Blackout	
Function	1/ Strobe branco ao ritmo do som 4/ Strobe colorido ao ritmo do som	Escolher Show (show 1-12)
Mode	Som/Strobe (LED Desligado)	Cor (LED Ligado)



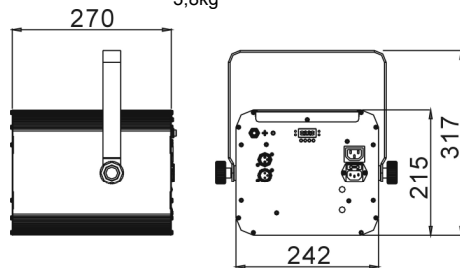
MANUTENÇÃO

- Certifique-se que sob a área de instalação da unidade não irão passar pessoas durante a manutenção.
- Desligue o cabo de alimentação da corrente e aguarde que a unidade arrefeça.
- **Durante a inspeção deverá verificar os seguintes pontos:**
- Todos os parafusos utilizados nas peças da unidade e na instalação deverão estar apertados firmemente e não poderão estar corroídos.
- A cobertura da unidade, os pontos de fixação e as áreas de instalação (tecto, armação, etc.) não deverão apresentar qualquer deformação.
- Caso uma lente apresente danos visíveis como fendas ou riscos profundos, deverá ser substituída imediatamente.
- O cabo de alimentação deverá estar em perfeitas condições e deverá ser substituído assim que for detectado o mais pequeno dano.
- As ventoinhas de arrefecimento (caso existam) e os orifícios de ventilação deverão ser limpos todos os meses de modo a evitar que a unidade sobreaqueça.
- Utilize um aspirador ou um compressor de ar para limpar o interior da unidade uma vez por ano.
- De forma a otimizar a projecção de luz, limpe as lentes ópticas internas e externas e/ou espelhos periodicamente. A regularidade das limpezas depende do ambiente em que está instalada a unidade: um ambiente húmido, com fumo ou poeirento dará origem a uma maior acumulação de impurezas nas ópticas da unidade.
 - Utilize um pano macio e um limpa-vidros normal na limpeza da unidade.
 - Seque sempre as peças cuidadosamente.
 - Limpe as ópticas externas pelo menos uma vez em cada 30 dias.
 - Limpe as ópticas internas pelo menos uma vez em cada 90 dias.

Atenção: Recomendamos vivamente que a limpeza do interior da unidade seja efectuada por pessoal qualificado!

ESPECIFICAÇÕES

Fonte de Alimentação:	AC 230V, 50Hz
Consumo de potência:	29 Watt
Fusível:	250V 6,3A Fusão Lenta (20mm vidro)
Ligações DMX:	XLR 3 pinos macho / fêmea
Canais DMX usados:	1, 4 ou 256 canais
Controlo de som:	Microfone interno
Lâmpada:	256 LEDs (64R + 64G + 64B + 64W)
Dimensões:	270 x 242 x 317mm
Peso:	3,8kg



Estas informações estão sujeitas a alterações sem aviso prévio
 Pode fazer download da versão mais recente deste manual no nosso site: www.beglec.com