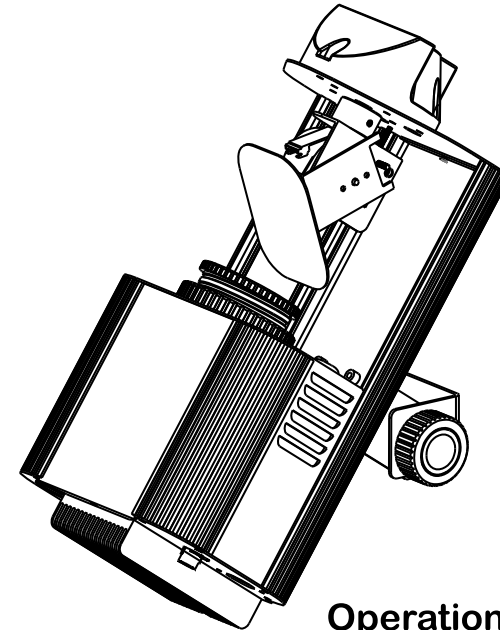


Micro Scan II LED



Operation Manual EN
Mode d'emploi FR
Gebruiksaanwijzing NL
Bedienungsanleitung DE
Manual de instrucciones ES
Manual do utilizador PT

WWW.BEGLEC.COM

Copyright © 2011 by BEGLEC NV

't Hofveld 2C ~ B1702 Groot-Bijgaarden ~ Belgium

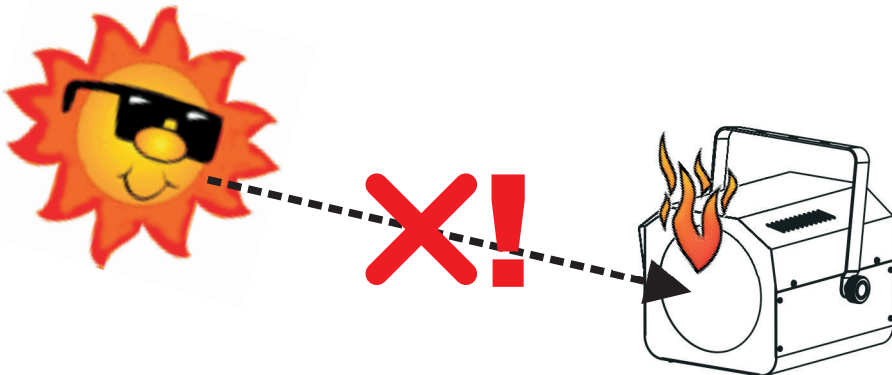
Reproduction or publication of the content in any manner, without express permission of the publisher, is prohibited.



Version: 1.0



DANGER ~ GEVAAR ~ GEFAHR ~ PELIGRO ~ PERIGO



WARNING: DANGER! never expose the lens to direct sunlight, even for a short period. This may damage the light effect or even cause fire!

ATTENTION: DANGER! n'exposez jamais la lentille directement aux rayons de soleil, même pendant un bref instant. Ceci peut endommager l'intérieur de l'appareil ou même causer un incendie !

OPGELET : GEVAAR ! stel de lens nooit bloot aan direct zonlicht, zelfs gedurende een korte periode. Dit kan het toestel beschadigen en zelfs brand veroorzaken!

WARNUNG: GEFAHR! Setzen sie die Linse niemals direkter Sonneneinstrahlung aus, auch nicht für eine kurze Zeit ! Die direkte Sonneneinstrahlung kann das Gerät zerstören oder zum brennen bringen!

ADVERTENCIA: ¡PELIGRO! ¡nunca exponga la lente a la luz solar directa, aún durante un período corto! ¡Esto puede dañar el efecto de luz o incluso causar el fuego!

AVISO: PERIGO! Nunca exponha as lentes directamente à luz solar, mesmo que por pouco tempo! Isto pode danificar o efeito luminoso ou mesmo provocar um incêndio!

EN - DISPOSAL OF THE DEVICE

Dispose of the unit and used batteries in an environment friendly manner according to your country regulations.

FR - DÉCLASSER L'APPAREIL

Débarrassez-vous de l'appareil et des piles usagées de manière écologique, conformément aux dispositions légales de votre pays.

NL - VERWIJDEREN VAN HET APPARAAT

Verwijder het toestel en de gebruikte batterijen op een milieuvriendelijke manier conform de in uw land geldende voorschriften.

DU - ENTSORGUNG DES GERÄTS

Entsorgen Sie das Gerät und die Batterien auf umweltfreundliche Art und Weise gemäß den Vorschriften Ihres Landes.

ES - DESHACERSE DEL APARATO

Reciclar el aparato y pilas usadas de forma ecologica conforme a las disposiciones legales de su país.

PT - COMO DESFAZER-SE DA UNIDADE

Tente reciclar a unidade e as pilhas usadas respeitando o ambiente e em conformidade com as normas vigentes no seu país.



OPERATION MANUAL

Thank you for buying this JB Systems® product. To take full advantage of all possibilities and for your own safety, please read these operating instructions very carefully before you start using this unit.

FEATURES

This unit is radio-interference suppressed. This product meets the requirements of the current European and national guidelines. Conformity has been established and the relevant statements and documents have been deposited by the manufacturer.

- Ultra compact DMX scanner for mobile DJs and small clubs
- Based on 10WATT WHITE LED technology:
 - Very low power consumption (money saving!)
 - Extremely brilliant colors compared to units with halogen lamps
 - No lamp replacements!
 - Virtually no heat production: no noisy fans
 - Lightweight (no lamp transformers needed)
- Big light output and sharp gobos, thanks to excellent optics
- 0-100% dimming and ultra fast strobe function
- Excellent built-in programs for wonderful, ever changing, light shows:
 - DMX-control: 5 channels (pan, tilt, color/gobo, strobe, dimmer)
 - Standalone: sound activated with internal mic
 - Master/slave: wonderful synchronized shows
- 8 gobos + open, equipped with gobo shaking feature
- 2 optional remote controllers available:
 - CA-8: wired remote for improved master/slave control
 - RF-8 Set: wireless RF-remote for improved master/slave control (RF-8SET = RF-8T "transmitter" + RF-8R "receiver")

BEFORE USE

- Before you start using this unit, please check if there's no transportation damage. Should there be any, do not use the device and consult your dealer first.
- **Important:** This device left our factory in perfect condition and well packaged. It is absolutely necessary for the user to strictly follow the safety instructions and warnings in this user manual. Any damage caused by mishandling is not subject to warranty. The dealer will not accept responsibility for any resulting defects or problems caused by disregarding this user manual.
- Keep this booklet in a safe place for future consultation. If you sell the fixture, be sure to add this user manual.

Check the contents:

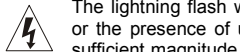
Check that the carton contains the following items:

- LED MICRO SCAN II II unit
- Mains cable
- Operating instructions

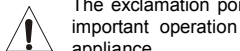
SAFETY INSTRUCTIONS:



CAUTION: To reduce the risk of electric shock, do not remove the top cover. No user-serviceable parts inside. Refer servicing to qualified service personnel only.



The lightning flash with arrowhead symbol within the equilateral triangle is intended to alert the user or the presence of un-insulated "dangerous voltage" within the product's enclosure that may be of sufficient magnitude to constitute a risk of electric shock.



The exclamation point within the equilateral triangle is intended to alert the user to the presence of important operation and maintenance (servicing) instructions in the literature accompanying this appliance.



This symbol means: indoor use only.



This symbol means: Read instructions.

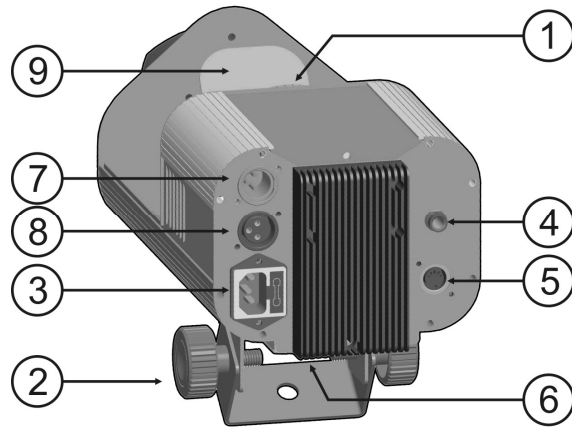


This symbol determines: the minimum distance from lighted objects. The minimum distance between light-output and the illuminated surface must be more than 1 meters.

- To protect the environment, please try to recycle the packing material as much as possible.
- To prevent fire or shock hazard, do not expose this appliance to rain or moisture.
- To avoid condensation to be formed inside, allow the unit to adapt to the surrounding temperatures when bringing it into a warm room after transport. Condense sometimes prevents the unit from working at full performance or may even cause damages.
- This unit is for indoor use only.
- Don't place metal objects or spill liquid inside the unit. Electric shock or malfunction may result. If a foreign object enters the unit, immediately disconnect the mains power.
- Locate the fixture in a well ventilated spot, away from any flammable materials and/or liquids. The fixture must be fixed at least 20cm from surrounding walls.
- Don't cover any ventilation openings as this may result in overheating.
- Prevent use in dusty environments and clean the unit regularly.
- Keep the unit away from children.
- Inexperienced persons should not operate this device.
- Maximum save ambient temperature is 40°C. Don't use this unit at higher ambient temperatures.
- Make sure the area below the installation place is free from unwanted persons during rigging, de-rigging and servicing.
- Always unplug the unit when it is not used for a longer time or before replacing the bulb or start servicing.
- The electrical installation should be carried out by qualified personal only, according to the regulations for electrical and mechanical safety in your country.
- Check that the available voltage is not higher than the one stated on the rear panel of the unit.
- The power cord should always be in perfect condition. Switch the unit immediately off when the power cord is squashed or damaged. It must be replaced by the manufacturer, its service agent or similarly qualified persons in order to avoid a hazard.
- Never let the power-cord come into contact with other cables!
- This fixture must be earthed to in order comply with safety regulations.
- Don't connect the unit to any dimmer pack.
- Always use an appropriate and certified safety cable when installing the unit.
- In order to prevent electric shock, do not open the cover. There are no user serviceable parts inside.
- **Never** repair a fuse or bypass the fuse holder. **Always** replace a damaged fuse with a fuse of the same type and electrical specifications!
- In the event of serious operating problems, stop using the fixture and contact your dealer immediately.
- The housing and the lenses must be replaced if they are visibly damaged.
- Please use the original packing when the device is to be transported.
- Due to safety reasons it is prohibited to make unauthorized modifications to the unit.

Important: Never look directly into the light source! Don't use the effect in the presence of persons suffering from epilepsy.

DESCRIPTION:



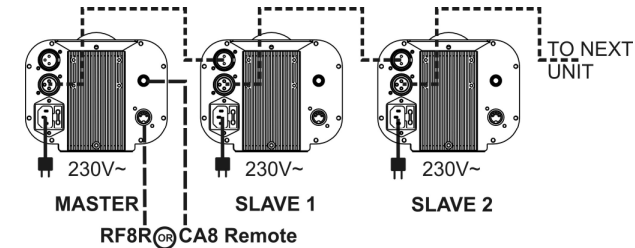
1. Optical lens with manual focus adjustment
2. Hanging bracket with 2 knobs on both sides to fasten the unit and a mounting hole to fix a mounting hook.
3. Mains input with IEC socket and integrated fuse holder, connect the supplied mains cable here.
4. 1/4" jack used to connect an optional CA-8 controller.
5. Din-5pin input, used to connect an optional wireless receiver, named RF-8R.
6. DIP switches, used to set the DMX-starting address of the unit.
7. DMX input: 3pin male XLR-connector used to connect universal DMX-cables. This input receives instructions from a DMX-controller or from another LED MICRO SCAN II II light effect when used in master/slave mode.
8. DMX output: 3pin female XLR-connector used to connect the LED MICRO SCAN II II with the next unit in the DMX chain or with another LED MICRO SCAN II II when used in master/slave mode.
9. Scanning mirror.

OVERHEAD RIGGING

- **Important:** The installation must be carried out by qualified service personal only. Improper installation can result in serious injuries and/or damage to property. Overhead rigging requires extensive experience! Working load limits should be respected, certified installation materials should be used, the installed device should be inspected regularly for safety.
- Make sure the area below the installation place is free from unwanted persons during rigging, de-rigging and servicing.
- Locate the fixture in a well ventilated spot, far away from any flammable materials and/or liquids. The fixture must be fixed at least 20cm from surrounding walls.
- The device should be installed out of reach of people and outside areas where persons may walk by or be seated.
- Before rigging make sure that the installation area can hold a minimum point load of 10times the device's weight.
- Always use a certified safety cable that can hold 12times the weight of the device when installing the unit. This secondary safety attachment should be installed in a way that no part of the installation can drop more than 20cm if the main attachment fails.
- The device should be well fixed; a free-swinging mounting is dangerous and may not be considered!
- Don't cover any ventilation openings as this may result in overheating.
- The operator has to make sure that the safety-relating and machine-technical installations are approved by an expert before using them for the first time. The installations should be inspected every year by a skilled person to be sure that safety is still optimal.

CONTROLLING UNIT

1. **Standalone 1unit:**
Just connect the unit to the mains and put on some music. The unit will start working automatically to the rhythm of the music.
2. **Two or more units in master/slave setup:**
Connect 2 or more units together using good quality balanced XLR microphone cables. The unit that has no cable connected to its input will react as master; the others are the slave units.

**Don't forget to set the DMX addresses as follows:**

- **Master unit:** DMX start address MUST be set to 001. (first DIP switch = ON, all other are OFF)
- **Slave units:** DMX start address may have any value but NOT 001 (example: set the first 3 DIP switches to ON)

It is possible to inverse the behavior of a slave unit by changing the position of DIP-switch n°10. Just try it and see if the effect becomes better. Changing DIP-switch n°10 on the master has no effect.

3. **Connect the optional CA-8 or RF-8 controller for more control:**

The CA-8 or RF-8 controller can only be used in standalone or master/slave mode:

- **CA-8 wired remote:** Connect the controller to the jack input of the first unit (master).
- **RF-8SET wireless remote:** the wireless remote has two parts:
 - **RF-8T:** small RF-transmitter that can control up to 5 effects.
 - **RF-8R:** small RF-receiver that should be connected to the DIN 5pin input of the LED MICRO SCAN II. See the installation manual of the receiver for more information.

Now you can control all the connected units:

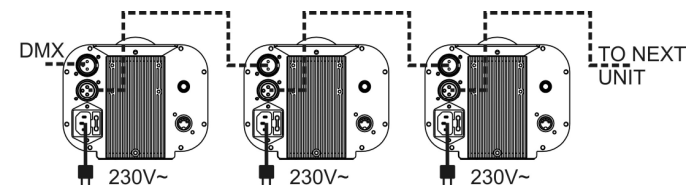
STANDBY BUTTON:

Press this button to start/stop blackout mode on all connected units.

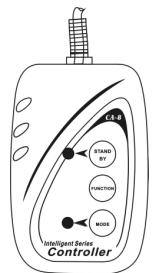
MODE/FUNCTION BUTTONS:

With the MODE button you can select 3 different modes:

- **The LED is off:** with the FUNCTION button you can select 3 different strobe functions.
- **The LED is on:** with the FUNCTION button you can select different shows.
- **The LED is blinking:** With the FUNCTION button you can select the desired gobo/color.

4. **Controlled by universal DMX-controller:**

The DMX-protocol is a widely used high speed signal to control intelligent light equipment. You need to "daisy chain" your DMX controller and all the connected light effects with a good quality XLR M/F



balanced cable. To prevent strange behavior of the light effects, due to interferences, you must use a 90Ω to 120Ω terminator at the end of the chain. Never use Y-splitter cables, this simply won't work!

Each light effect in the chain needs to have its proper starting address so it knows which commands from the controller it has to decode.

How to set the DIP-switches to obtain the right starting address:

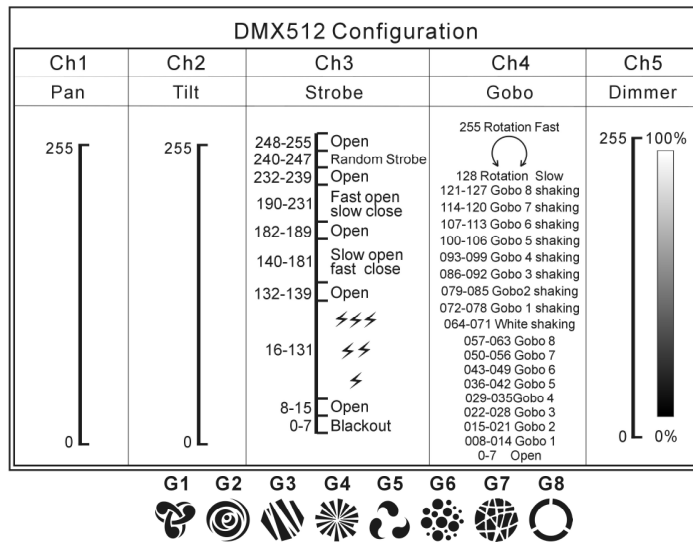
On the back of the LED MICRO SCAN II you will see that each of the first 9 DIP-switches corresponds to certain value:

Dip	#1	#2	#3	#4	#5	#6	#7	#8	#9	#10
Value	1	2	4	8	16	32	64	128	256	Invert slave

You can combine the values of these switches to become any starting address between 1 and 512:

- Begin address = 01 → switch 1=ON values: 1
- Begin address = 05 → switch 1+3=ON values: 1+4 = 5
- Begin address = 09 → switch 1+4=ON values: 1+8 = 9
- Begin address = 13 → switch 1+3+4=ON values: 1+4+8 = 13
- Begin address = 62 → switch 2+3+4+5+6=ON values: 2+4+8+16+32 = 62

DMX-CONFIGURATION OF LED MICRO SCAN II:



MAINTENANCE

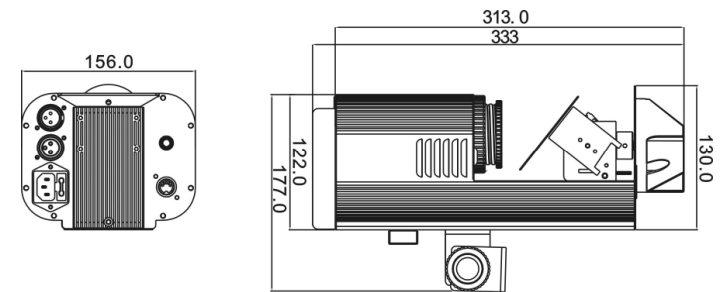
- Make sure the area below the installation place is free from unwanted persons during servicing.
- Switch off the unit, unplug the mains cable and wait until the unit has been cooled down.
- During inspection the following points should be checked:**
- All screws used for installing the device and any of its parts should be tightly fastened and may not be corroded.
- Housings, fixations and installations spots (ceiling, truss, suspensions) should be totally free from any deformation.
- When an optical lens is visibly damaged due to cracks or deep scratches, it must be replaced.
- The mains cables must be in impeccable condition and should be replaced immediately when even a small problem is detected.
- In order to protect the device from overheat the cooling fans (if any) and ventilation openings should be cleaned monthly.

- The interior of the device should be cleaned annually using a vacuum cleaner or air-jet.
- The cleaning of internal and external optical lenses and/or mirrors must be carried out periodically to optimize light output. Cleaning frequency depends on the environment in which the fixture operates: damp, smoky or particularly dirty surroundings can cause greater accumulation of dirt on the unit's optics.
 - Clean with a soft cloth using normal glass cleaning products.
 - Always dry the parts carefully.
 - Clean the external optics at least once every 30 days.
 - Clean the internal optics at least every 90 days.

Attention: We strongly recommend internal cleaning to be carried out by qualified personnel!

SPECIFICATIONS

- Mains Input:** AC 100 ~ 240V, 50/60Hz
- Fuse:** 250V 2A fast blow (20mm glass)
- Sound Control:** Internal microphone
- DMX connections:** 3pin XLR male / female
- DMX channels:** 5
- Lamp:** CREE 10W White LED
- Size:** 333 x 156 x 177mm (see drawing)
- Weight:** 3,0kg



Every information is subject to change without prior notice
You can download the latest version of this user manual on our website: www.beglec.com

MODE D'EMPLOI

Merci d'avoir choisi ce produit JB Systems®. Pour votre sécurité et pour une utilisation optimale de toutes les possibilités de l'appareil, lisez attentivement cette notice avant utilisation.

EN VOUS INSCRIVANT POUR LA LETTRE D'INFORMATION VOUS SEREZ TOUJOURS TENU AU COURANT DES DERNIÈRES NOUVELLES CONCERNANT NOS PRODUITS: NOUVEAUTÉS, ACTIONS SPÉCIALES, JOURNÉES PORTES OUVERTES, ETC.
→ SURFEZ SUR: WWW.BEGLEC.COM ←

CARACTERISTIQUES

Cet appareil ne produit pas d'interférences radio. Il répond aux exigences nationales et européennes. La conformité a été établie et les déclarations et documents correspondants ont été déposés par le fabricant.

- Cet appareil a été conçu pour la production d'effets lumière décoratifs et est utilisé dans des spectacles lumineux.
- Scan DMX ultra compact pour les DJ itinérants et petits clubs
- Basé sur la technologie à LED blanche de 10Watts:
 - Très faible consommation d'énergie (économique!)
 - Des couleurs extrêmement brillantes comparé aux effets à lampes halogènes
 - Pas de lampes à remplacer!
 - Pratiquement pas de production de chaleur: donc pas besoin de ventilateurs bruyants
 - Poids plume (pas besoin de transformateurs pour les lampes)
- Grande luminosité et gobos très nets, grâce à d'excellents optiques.
- Gradateur allant de 0 à 100% et fonction stroboscopique ultra rapide
- Les excellent programmes intégrés produisent de magnifiques shows lumière variés:
 - Contrôle par DMX: 5 canaux (pan, tilt, couleur/gobo, strobo, gradateur)
 - Autonome: active par le son grâce au micro incorporé
 - Maître/esclave: de magnifiques shows synchronisés
- 8 gobos + ouvert, équipé de la fonction "gobo shaking"
- 2 types de contrôleur sont disponibles en option:
 - CA-8: commande câblée pour un meilleur contrôle des fonctions en mode maître/esclave
 - RF-8SET: commande RF sans fil pour un meilleur contrôle des fonctions en mode maître/esclave (RF-8SET = "émetteur" RF-8T + "récepteur" RF-8R)

AVANT UTILISATION

- Avant d'utiliser cet appareil, assurez-vous de l'absence de dommage lié au transport. En cas d'endommagement, n'utilisez pas l'appareil et contactez le vendeur.
- Important:** Cet appareil a quitté notre usine en parfaite condition et bien emballé. Il est primordial que l'utilisateur suive les instructions de sécurité et avertissements inclus dans ce manuel. La garantie ne s'applique pas en cas de dommage lié à une utilisation incorrecte. Le vendeur ne prend pas la responsabilité des défauts ou de tout problème résultant du fait de n'avoir pas tenu compte des mises en garde de ce manuel.
- Conservez ce manuel dans un endroit sûr pour toute consultation future. Si vous vendez l'appareil, assurez-vous d'y joindre ce manuel également.

Vérifiez le contenu:

Vérifiez si l'emballage contient les articles suivants:

- L'appareil LED MICRO SCAN II
- Câble d'alimentation
- Mode d'emploi

INSTRUCTIONS DE SECURITE:



CAUTION
RISK OF ELECTRIC SHOCK
DO NOT OPEN



ATTENTION: afin de réduire le risque d'électrocution, n'enlevez jamais le couvercle de l'appareil. Il n'y a aucune pièce à l'intérieur de l'appareil que vous puissiez remplacer vous-même. Confiez l'entretien uniquement à des techniciens qualifiés.



La foudre dans un triangle met l'utilisateur en garde contre la présence de haute tension sans isolation dans l'appareil, ce qui peut causer un risque d'électrocution.



Un point d'exclamation dans un triangle prévient de la présence d'instructions relatives au fonctionnement et à la maintenance se trouvant dans le manuel fourni avec l'appareil.



Ce symbole signifie: uniquement pour usage à l'intérieur.



Ce symbole signifie : Lire le mode d'emploi.



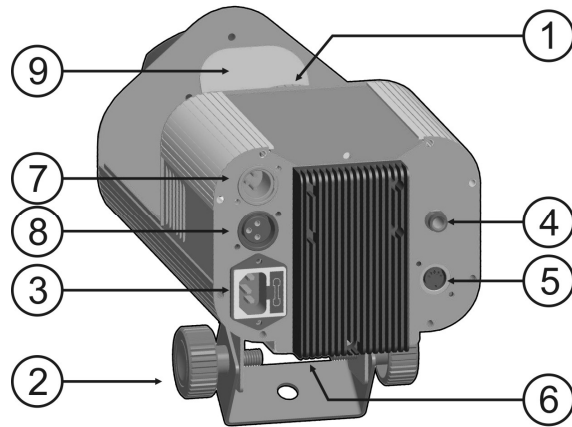
Ce symbole représente la distance de recul minimum à respecter, c'est-à-dire, la distance minimum entre le projecteur et la surface à éclairer. Cette distance doit être de plus de 1 mètre.

- Afin de protéger l'environnement, merci de recycler les emballages autant que possible.
- Afin d'éviter tout risque d'incendie ou de décharge électrique, ne pas exposer cet appareil à la pluie ou à l'humidité.
- Pour éviter la formation de condensation à l'intérieur de l'appareil, patientez quelques minutes pour laisser l'appareil s'adapter à la température ambiante lorsqu'il arrive dans une pièce chauffée après le transport. La condensation empêche l'appareil de fonctionner manière optimale, et elle peut même causer des dommages.
- Cet appareil est destiné à une utilisation à l'intérieur uniquement.
- Ne pas insérer d'objet métallique ou renverser de liquide dans l'appareil. Aucun objet contenant un liquide, tels que des vases, ne peut être placé sur cet appareil. Cela risquerait de provoquer une décharge électrique ou un dysfonctionnement. Si un corps étranger est introduit dans l'appareil, déconnectez immédiatement de la source d'alimentation.
- Aucune source de flamme nue, telle que des bougies allumées, ne peut être placée sur l'appareil.
- Placez l'appareil dans un endroit bien ventilé, éloigné de tout matériau ou liquide inflammable. L'appareil doit être fixé à 20cm minimum des murs.
- Ne pas couvrir les orifices de ventilation, un risque de surchauffe en résulterait.
- Ne pas utiliser l'appareil dans un environnement poussiéreux et le nettoyer régulièrement.
- Ne pas laisser l'appareil à portée des enfants.
- Les personnes non expérimentées ne doivent pas utiliser cet appareil.
- La température ambiante maximale d'utilisation de l'appareil est de 40°C. Ne pas l'utiliser au-delà de cette température.
- Assurez-vous que la zone au-dessous du lieu d'installation ne comporte pas de personnes non concernées pendant le montage, le démontage et les opérations de maintenance.
- Débranchez toujours l'appareil si vous ne l'utilisez pas de manière prolongée avant de changer une ampoule ou d'entreprendre des réparations.
- Les installations électriques ne peuvent être faites que par du personnel qualifié et conformément aux règlements de sécurité électrique et mécanique en vigueur dans votre pays.
- Assurez-vous que la tension d'alimentation de la source d'alimentation de la zone dans laquelle vous vous trouvez ne dépasse pas celle indiquée à l'arrière de l'appareil.
- Le cordon d'alimentation doit toujours être en parfait état. Mettez immédiatement l'unité hors tension si le cordon devait être écrasé ou endommagé. Pour éviter tout risque de choc électrique, le cordon doit être remplacé par le constructeur, son agent ou un technicien qualifié.
- Ne laissez jamais le cordon d'alimentation entrer en contact avec d'autres câbles !
- L'appareil doit être à la masse selon les règles de sécurité.
- Ne pas connecter l'unité à un variateur de lumière.
- Utilisez toujours des câbles appropriés et certifiés lorsque vous installez l'appareil.
- Pour éviter toute décharge électrique, ne pas ouvrir l'appareil. Il n'y a pas de pièces pouvant être changées par l'utilisateur à l'intérieur.
- Ne jamais** réparer ou court-circuiter un fusible. Remplacez **systématiquement** un fusible endommagé par un fusible de même type et ayant les mêmes spécifications électriques !
- En cas de problèmes de fonctionnement sérieux, arrêtez toute utilisation de l'appareil et contactez votre revendeur immédiatement.
- La carrosserie et les lentilles doivent être remplacées si elles sont visiblement endommagées.
- Utilisez l'emballage d'origine si l'appareil doit être transporté.

- Pour des raisons de sécurité, il est interdit d'apporter une quelconque modification à l'unité non spécifiquement autorisée par les parties responsables.

Important: Ne jamais fixer directement la source de lumière ! Ne pas utiliser d'effets en présence de personnes souffrant d'épilepsie.

DESCRIPTION:



- Lentille avec focus manuel
- Support de fixation, pourvu de 2 leviers de serrage (un de chaque côté de l'appareil) et d'un trou pouvant recevoir un crochet de fixation.
- Entrée d'alimentation par connecteur IEC avec porte fusible intégré. Branchez le câble d'alimentation ici.
- Connecteur jack 1/4" stéréo pour relier le contrôleur CA-8 optionnel avec l'appareil.
- Connecteur Din à 5 broches qui est utilisé pour raccorder le récepteur RF-8R du système de commande à distance sans fil.
- Interrupteurs DIP: permet d'attribuer l'adresse de démarrage DMX de l'unité.
- Entrée DMX: Connecteur XLR 3pin mâle permet de connecter des câbles XLR universels. Cette entrée reçoit des instructions provenant d'un contrôleur DMX ou d'un autre LED MICRO SCAN II en mode master/slave.
- Sortie DMX: Connecteur XLR 3pin mâle permet de connecter le LED MICRO SCAN II à l'unité suivante de la chaîne DMX ou à un autre LED MICRO SCAN II en mode master/slave.
- Miroir scan

INSTALLATION EN HAUTEUR

- Important:** L'installation doit être faite par du personnel qualifié uniquement. Une installation incorrecte peut causer des blessures sévères et/ou endommager l'appareil. L'installation en hauteur exige de l'expérience ! Les limites de charge doivent être respectées, du matériel d'installation certifié doit être utilisé, et l'appareil installé doit subir des inspections de sécurité régulièrement.
- Assurez-vous que la zone au-dessous du lieu d'installation ne comporte pas de personnes indésirables lors de l'installation, la désinstallation ou la maintenance.
- Placez l'appareil dans un endroit bien ventilé, éloigné de tout matériau ou liquide inflammable. L'appareil doit être fixé à 20cm minimum des murs à l'entour.
- L'appareil doit être hors de portée du public et en dehors des zones de passage de personnes ou des zones où le public est installé.
- Avant l'installation assurez-vous que la zone d'installation supporte un point localisé minimum de 10 fois le poids de l'appareil.

- Utilisez systématiquement un câble de sécurité qui peut supporter 12 fois le poids de l'appareil lors de l'installation. Ce câble de sécurité secondaire doit être installé de manière à ce qu'aucune partie de l'appareil ne puisse descendre de plus de 20 cm si le support principal tombe.
- L'appareil doit être bien fixé, un montage à balancement est dangereux et ne devrait pas être considéré !
- Ne pas couvrir les ouvertures de ventilation pour éviter tout risque de surchauffe.
- L'utilisateur doit s'assurer que les installations techniques et de sécurité sont bien approuvées par un expert avant la première utilisation. Les installations doivent être inspectées chaque année par du personnel qualifié pour assurer une sécurité optimale.

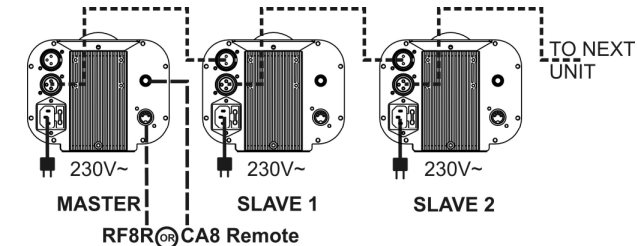
CONTRÔLER L'APPAREIL

1. Autonome 1 unité:

Connectez simplement l'alimentation de l'unité et mettez de la musique. L'unité se met à travailler directement au rythme de la musique.

2. Configurer 2 unités ou plus en mode master/slave:

Connecter ensemble 2 unités ou plus en utilisant des câbles micro XLR balancés de bonne qualité. L'unité n'ayant pas de câble connectée en entrée réagit en maître; les autres unités sont esclaves.



N'oubliez pas de régler les adresses DMX comme suite:

- Master (Maître):** L'adresse DMX de départ DOIT être réglé sur 001. (le premier « DIP switch » = ON, tous les autres OFF)
- Slave (esclave):** L'adresse de départ DMX peut être réglé sur n'importe quelle valeur mais PAS sur 001 (exemple : réglez les 3 premiers « DIP switches » sur ON)

Il est possible d'inverser le comportement d'une unité esclave en changeant la position de l'interrupteur n°10. Essayez simplement et voyez si l'effet s'améliore. Changer le DIP n°10 sur l'unité master n'a pas d'effet.

3. Connectez le contrôleur optionnel CA-8 ou RF-8SET pour plus de possibilités:

Le contrôleur CA-8 ou RF-8SET peut être utilisé en mode autonome ou maître/esclave.

- Contrôleur câblé CA-8 : Connectez le contrôleur à l'entrée jack de la première unité (master).
- Contrôleur sans fil RF-8SET : le système est composé de 2 éléments:
 - RF-8T:** petit transmetteur RF qui peut contrôler jusqu'à 5 appareils différents.
 - RF-8R:** petit récepteur RF qui doit être raccordé au connecteur DIN à 5 broches du LED MICRO SCAN II. Voir le manuel d'installation du récepteur pour plus d'informations

A présent vous pouvez contrôler toutes les unités connectées:

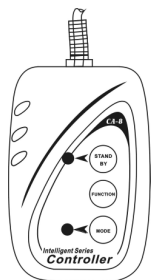
• TOUCHE STANDBY:

Appuyez sur celle-ci afin d'activer/désactiver la fonction black-out de tous les appareils connectés.

• TOUCHES MODE/FUNCTION:

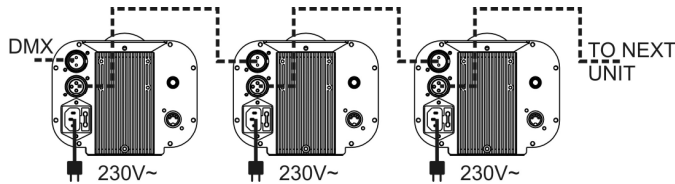
Avec la touche MODE vous pouvez sélectionner 3 modes de fonctionnement différents:

- La LED est éteinte:** en utilisant la touche FUNCTION vous pouvez sélectionner une des 3 fonctions stroboscopiques.
- La LED allumée:** en utilisant la touche FUNCTION vous pouvez sélectionner un des shows
- La LED clignote:** En utilisant la touche FUNCTION vous pouvez sélectionner le gobo/la couleur désirée.



4. Contrôlé par contrôleur DMX universel:

Le très répandu protocole DMX est un signal très rapide permettant de contrôler des équipements de lumière. Il est impératif de connecter votre contrôleur DMX et les différents éléments de la chaîne avec des câbles XLR balancés de bonne qualité. Afin d'éviter que vos effets de lumière se comportent de manière étrange, à cause d'interférences, utilisez des bouchons de 90Ω à 120Ω en fin de chaîne. N'utilisez jamais de câbles de dérivation, ceci ne fonctionne pas!



Chaque effet dans la chaîne nécessite sa propre adresse de démarrage afin de savoir quelles commandes du contrôleur il doit décoder.

• Configurer les interrupteurs DIP pour obtenir l'adresse de démarrage correcte:

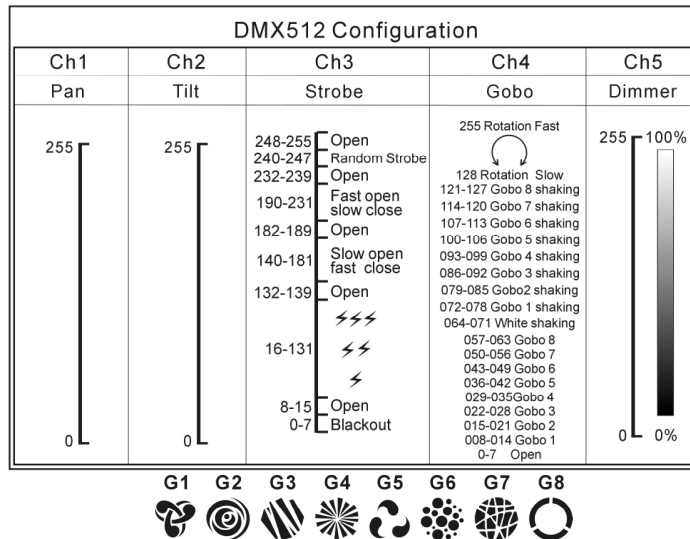
A l'arrière du LED MICRO SCAN II, vous verrez que chacun des 9 DIP correspond à une valeur:

Dip	#1	#2	#3	#4	#5	#6	#7	#8	#9	#10
Valeur	1	2	4	8	16	32	64	128	256	Inversion esclave

Combinez ces valeurs pour obtenir des adresses de démarrage comprises entre 1 et 512:

Adresse = 01	→ DIP 1=ON	valeurs: 1
Adresse = 05	→ DIP 1+3=ON	valeurs: 1+4 = 5
Adresse = 09	→ DIP 1+4=ON	valeurs: 1+8 = 9
Adresse = 13	→ DIP 1+3+4=ON	valeurs: 1+4+8 = 13
Adresse = 62	→ DIP 2+3+4+5+6=ON	valeurs: 2+4+8+16+32 = 62

• CONFIGURATION DMX DU LED MICRO SCAN II:



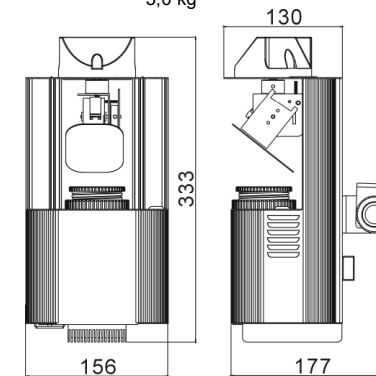
MAINTENANCE

- Assurez-vous que la zone au-dessous du lieu d'installation ne comporte pas de personnes indésirables lors de la maintenance
- Mettez l'unité hors tension, débranchez le cordon d'alimentation et attendez que l'appareil ait refroidi.
- Pendant l'inspection, les points suivants doivent être vérifiés :**
 - Toutes les vis utilisées pour l'installation de l'appareil ou de chacune de ses pièces doivent être bien fixées et non corrodées.
 - Les niches, fixations et structures de support (plafond, poutres, suspensions) doivent être totalement intactes, sans aucune déformation.
 - Lorsqu'une lentille optique est visiblement endommagée (fissure ou éraflures profondes), elle doit être remplacée.
 - Les câbles doivent être en parfaite condition et doivent être remplacés immédiatement en cas de détection d'un problème, même bénin.
 - Pour protéger l'appareil de toute surchauffe, les ventilateurs (si applicable) et les ouvertures de ventilation doivent être nettoyées mensuellement.
 - L'intérieur de l'appareil doit être nettoyé annuellement à l'aide d'un aspirateur ou jet d'air.
 - Le nettoyage des lentilles optiques internes et externes et/ou des miroirs doit être effectué périodiquement pour optimiser la production de lumière. La fréquence de nettoyage dépend de l'environnement dans lequel l'appareil fonctionne: des environnements humides, enfumés ou particulièrement sales peuvent entraîner une accumulation de saleté plus importantes sur les optiques de l'appareil.
 - Nettoyez à l'aide d'un chiffon doux avec des produits de nettoyage pour verres normaux.
 - Séchez toujours les parties soigneusement.
 - Nettoyez les optiques externes ou moins une fois tous les 30 jours.
 - Nettoyez les optiques internes ou moins une fois tous les 90 jours.

Attention: Nous vous recommandons fortement de faire exécuter le nettoyage interne par du personnel qualifié !

SPECIFICATIONS

Alimentation:	AC 100~240V, 50/60Hz
Fusible:	250V 2A rapide (20mm verre)
Contrôle de son:	Microphone interne
Connexions DMX:	3 points XLR mâle / femelle
Canaux DMX:	5
Lampe :	LED blanche CREE 10W
Taille:	333 x 156 x 177mm (voir dessin)
Poids:	3,0 kg



Chacune de ces informations peut être modifiée sans avertissement préalable. Vous pouvez télécharger la dernière version de ce mode d'emploi de notre site Web: www.beglec.com

GEBRUIKSAANWIJZING

Hartelijk dank voor de aankoop van dit JB Systems® product. Om ten volle te kunnen profiteren van alle mogelijkheden en voor uw eigen veiligheid, gelieve de aanwijzingen zeer zorgvuldig te lezen voor U begint het apparaat te gebruiken.

DOOR U OP ONZE MAILINGLIJST IN TE SCHRIJVEN ONTVANGT U STEEDS DE LAATSTE INFORMATIE OVER ONZE PRODUKTEN: NIEUWIGHEDEN, SPECIALE ACTIES, OPENDEURDAGEN, ENZ. → SURF NAAR: WWW.BEGLEC.COM ←

KARAKTERISTIEKEN

In dit apparaat is radio-interferentie onderdrukt. Dit product voldoet aan de gangbare Europese en nationale voorschriften. Het is vastgesteld dat het apparaat er zich aan houdt en de desbetreffende verklaringen en documenten zijn door de fabrikant afgegeven.

- Het toestel is ontworpen om decoratieve lichteffecten te produceren en kan eventueel worden gebruikt in lichtshows.
- Ultra compacte DMX scanner voor mobiele DJ's en kleine clubs
- Uitgerust met een Witte LED van 10Watt:
 - Zeer laag stroomverbruik (geldbesparend!)
 - Zeer heldere kleuren, in vergelijking met toestellen die gebruik maken van gewone halogen lampen.
 - Geen lampen te vervangen!
 - Bijna geen warmteontwikkeling: geen lawaaierige ventilatoren
 - Lichtgewicht (geen lampransformatoren nodig)
- Grote lichtopbrengst en scherpe gobo's dank zij de uitstekende optische elementen
- Dimmer van 0-100% en uiterst snelle strobe functie
- Uitstekende ingebouwde programma's voor prachtige gevarieerde lichtshows:
 - DMX controle: 5 kanalen (pan, tilt, kleur/gobo, strobe, dimmer)
 - Standalone: geluidgestuurd via de ingebouwde microfoon
 - Master/slave: prachtige synchrone shows
- 8 gobo's + open, uitgerust met de gobo shaking functie
- 2 remote controllers zijn in optie verkrijgbaar:
 - CA-8: controller met kabel voor een betere controle over de functies in master/slave
 - RF-8SET: draadloos RF systeem voor een betere controle over de functies in master/slave (RF-8SET = RF-8T "zender" + RF-8R "ontvanger")

EERSTE INGEBRUIKNAME

- Controleer voor het eerste gebruik van het apparaat of het tijdens het transport beschadigd werd. Mocht er schade zijn, gebruik het dan niet, maar raadpleeg eerst uw dealer.
- **Belangrijk:** Dit apparaat verliet de fabriek in uitstekende staat en goed verpakt. Het is erg belangrijk dat de gebruiker de veiligheidsaanwijzingen en raadgevingen in deze gebruiksaanwijzing uiterst nauwkeurig volgt. Elke schade veroorzaakt door verkeerd gebruik van het apparaat valt niet onder de garantie. De dealer aanvaardt geen verantwoordelijkheid voor mankementen en problemen die komen door het veronachtzamen van deze gebruiksaanwijzing.
- Bewaar deze brochure op een veilige plaats om hem in de toekomst nogmaals te kunnen raadplegen. Indien U het apparaat verkoopt, denkt U er wel aan om de gebruiksaanwijzing bij te voegen.

Controleer de inhoud:

Controleer of de doos volgende onderdelen bevat:

- LED MICRO SCAN II toestel
- Voedingskabel
- Handleiding

VEILIGHEIDSVOORSCHRIFTEN:



CAUTION
RISK OF ELECTRIC SHOCK
DO NOT OPEN



WAARSCHUWING: Om het risico op elektrocutie zoveel mogelijk te vermijden mag u nooit de behuizing verwijderen. Er bevinden zich geen onderdelen in het toestel die u zelf kan herstellen. Laat de herstellingen enkel uitvoeren door een bevoegde technicus.



De bliksempijl die zich in een gelijkbenige driehoek bevindt is bedoeld om u te wijzen op het gebruik of de aanwezigheid van niet-geïsoleerde onderdelen met een "gevaarlijke spanning" in het toestel die voldoende kracht heeft om een risico van elektrocutie in te houden.



Het uitroepteken binnen de gelijkbenige driehoek is bedoeld om de gebruiker erop te wijzen dat er in de meegeleverde literatuur belangrijke gebruik en onderhoudsinstructies vermeld staan betreffende dit onderdeel.



Dit symbool betekent: het apparaat mag enkel binnenhuis worden gebruikt.



Dit symbool betekent: Lees de handleiding!

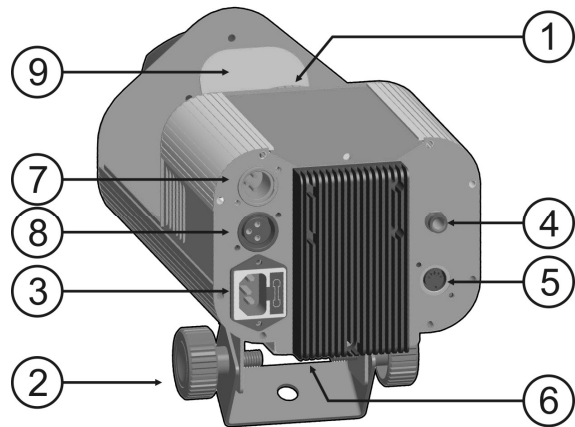


Dit symbool bepaalt: de minimumafstand van te belichten voorwerpen. De minimumafstand tussen projector en het verlichte voorwerp moet meer dan 1 meter zijn.

- Om het milieu te beschermen, probeer zoveel mogelijk het verpakkingsmateriaal te recycleren.
- Stel dit apparaat niet bloot aan regen of vocht, dit om het risico op brand en elektrische schokken te voorkomen.
- Om de vorming van condensatie binnenin te voorkomen, laat het apparaat aan de omgevingstemperatuur wennen wanneer het, na het transport, naar een warm vertrek is overgebracht. Condensatie kan het toestel soms verhinderen perfect te functioneren. Het kan soms zelfs schade aan het apparaat toebrengen.
- Gebruik dit apparaat uitsluitend binnenshuis.
- Plaats geen stukken metaal en mors geen vocht binnen in het toestel om elektrische schokken of storing te vermijden. Indien een vreemd voorwerp in het apparaat geraakt, moet U het direct van het lichtnet afkoppelen.
- Plaats de installatie op een plaats met goede ventilatie, ver van brandbare materialen en/of vloeistoffen. De installatie moet op minstens 20 cm van de muren rondom geplaatst worden.
- Bedek geen enkele ventilatieopening om oververhitting te vermijden.
- Zorg dat het toestel niet in een stoffige omgeving wordt gebruikt en maak het regelmatig schoon.
- Houd het apparaat uit de buurt van kinderen.
- Dit apparaat mag niet door onervaren personen bediend worden.
- De maximum veilige omgevingstemperatuur is 40°C. Gebruik het apparaat dus niet bij hogere temperaturen.
- Verzeker er U van dat er zich onder de plaats waar het toestel wordt geïnstalleerd geen ongewenste personen bevinden tijdens het bevestigen en losmaken alsook bij het onderhoud.
- Trek altijd de stekker uit wanneer het apparaat gedurende langere tijd niet wordt gebruikt of alvorens de lamp te vervangen of alvorens te beginnen met de onderhoudsbeurt.
- De elektrische installatie behoort uitsluitend uitgevoerd te worden door bevoegd personeel, volgens de in uw land geldende regels betreffende elektrische en mechanische veiligheid.
- Controleer dat de beschikbare spanning niet hoger is dan die aangegeven op de achterzijde van het toestel.
- De elektrische kabel behoort altijd in uitstekende staat te zijn. Zet het apparaat onmiddellijk af als de elektrische kabel gekneusd of beschadigd is. De kabel moet vervangen worden door de fabrikant zelf, zijn dealer of vergelijkbare bekwame personen om een brand te voorkomen.
- Laat de elektrische draad nooit in contact komen met andere draden.
- Volgens de veiligheidsvoorschriften moet deze installatie geaard worden.
- Sluit het apparaat niet aan op een elektronische dimmer.
- Gebruik altijd een geschikte en gekeurde veiligheidskabel bij het installeren van het toestel.
- Om elektrische schokken te voorkomen, moet U de behuizing niet openen. Er zitten geen onderdelen in die door de gebruiker moeten worden onderhouden.
- Repareer **nooit** een zekering en overbrug de zekeringhouder nooit. Vervang een beschadigde zekering **steeds** door een zekering van hetzelfde type en met dezelfde elektrische kenmerken.
- Ingeval van ernstige problemen met het bedienen van het toestel, stopt U onmiddellijk het gebruik ervan. Contacteer uw dealer voor een eventuele reparatie.
- De behuizing en de lenzen moeten vervangen worden als ze zichtbaar beschadigd zijn.
- Gebruik best de originele verpakking als het toestel vervoerd moet worden.
- Om veiligheidsredenen is het verboden om ongeautoriseerde modificaties aan het toestel aan te brengen.

Belangrijk: Kijk nooit rechtstreeks in de lichtbron. Gebruik het lichteffect niet in de tegenwoordigheid van personen die lijden aan epilepsie.

BESCHRIJVING:



1. Optische lens voorzien van een knop voor manuele focus.
2. Ophangbeugel met 2 knoppen aan beide zijden om het toestel vast te zetten. Tevens voorzien van een gat voor een bevestigingshaak.
3. Voedingsingang via IEC stekker met geïntegreerde zekeringhouder. Sluit hier de voedingskabel aan.
4. 1/4" jack voor de in optie verkrijgbare CA-8 controller
5. Din-5pins ingang die gebruikt wordt om de optionele draadloze ontvanger RF-8R aan te sluiten.
6. DIP schakelaars: hiermee zet U het DMX beginadres van het apparaat.
7. DMX ingang: deze 3pin mannelijke XLR-aansluiting wordt gebruikt voor het aansluiten van universele DMX-kabels. Deze ingang ontvangt zijn instructies van een DMX-controller of van een andere LED MICRO SCAN II scanner (in master/slave mode).
8. DMX uitgang: deze 3pin vrouwelijke XLR-aansluiting wordt gebruikt om de LED MICRO SCAN II met het volgende DMX-apparaat in de keten te verbinden. In master/slave mode sluit U hier de volgende LED MICRO SCAN II aan.
9. Scanspiegel.

OPHANGEN VAN HET APPARAAT

- **Belangrijk:** De installatie van het toestel mag uitsluitend door bekwaam onderhoudspersoneel uitgevoerd worden. Onjuiste plaatsing kan ernstige letsels en/of schade aan eigendommen tot gevolg hebben. Het ophangen vergt veel ervaring. U behoort de grenzen te respecteren aan de werklust; erkende installeringmaterialen moeten worden gebruikt; de veiligheid van het geïnstalleerde toestel moet regelmatig worden gecontroleerd.
- Overtuig U ervan dat het gebied onder installatieplaats vrij is van ongewenste personen tijdens het plaatsen, het weghalen en het onderhoud.
- Installeer het toestel op een goed geventileerde plaats, ver van brandbare stoffen en/of vloeistoffen. Het toestel moet worden bevestigd op minstens 20 cm van de omringende muren.
- Het toestel moet worden geïnstalleerd buiten het bereik van iedereen en weg van plaatsen waar men mag lopen en zitten.
- Alvorens tot plaatsen over te gaan, moet men controleren dat de minimum puntbelasting van de installatieplaats 10 keer het gewicht van het toestel bedraagt.
- Gebruik bij het installeren van het toestel altijd een gewaarmerkte veiligheidskabel die 12 keer het gewicht van het toestel kan dragen. Deze bijkomende veiligheidsbevestiging moet zo worden aangebracht dat geen deel van het toestel meer dan 20 cm vallen kan als de hoofdbeveiliging faalt.
- Het apparaat moet goed worden vastgezet; aan een vrij zwaaiende montering mag zelfs niet gedacht worden.
- Bedek geen ventilatieopeningen, anders zou dit oververhitting tot gevolg kunnen hebben.

- De gebruiker moet er zich van verzekeren dat de installaties met betrekking tot de veiligheid en de technische mechaniek door een expert zijn goedgekeurd alvorens ze voor de eerste keer te gebruiken. Elk jaar moeten de installaties worden gekeurd door een vakman om te controleren of de veiligheid nog steeds perfect is.

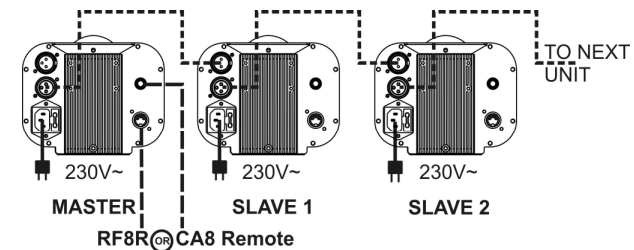
HET TOESTEL BEDIENEN:

1. één toestel werkt zelfstandig:

U hoeft het apparaat enkel aan te schakelen. Zorg tevens voor wat ritmische muziek. De LED MICRO SCAN II werkt nu automatisch op de maat van de muziek.

2. Twee of meer LED MICRO SCAN II's in master/slave:

Verbind 2 of meer LED MICRO SCAN II's met elkaar door middel van degelijke, gebalanceerde microfoonkabels. De LED MICRO SCAN II waar er geen DMX-kabel toekomt zal zich automatisch als master schakelen; de andere LED MICRO SCAN II's gedragen zich als slaven (slaves) en luisteren dus naar de master.



Vergeet niet de DMX adressen in te stellen:

- **Master unit:** DMX start adres MOET op 001 staan. (eerste DIP schakelaar = ON, alle andere schakelaars staan op OFF)
 - **Slave units:** DMX start adres mag eender welke waarde hebben maar NIET 001 (voorbeeld: zet de eerste 3 DIP-schakelaars op ON)
- Met DIP-schakelaar nr.10 kan U de bewegingen van een, als slave geschakelde LED MICRO SCAN II, omkeren. Probeer dit en kijk of het effect verbeterd. DIP-schakelaar nr.10 heeft geen effect op de master.

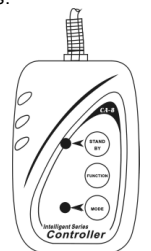
3. Sluit de optionele CA-8 of RF-8SET controller aan voor meer controle:

De CA-8 of RF-8SET controller kan U enkel gebruiken in zelfstandige of master/slave modus.

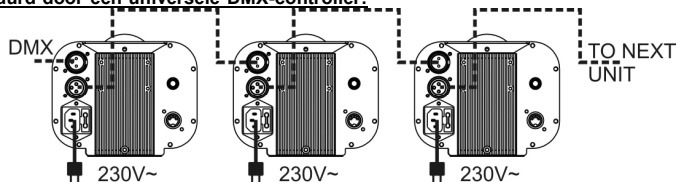
- **CA-8 controller met kabel:** Sluit de controller aan op de jack ingang van het eerste toestel(master).
- **Draadloze RF-8SET controller:** het draadloze systeem bestaat uit 2 delen:
 - **RF-8T:** kleine RF zender waarmee u tot 5 toestellen kunt bedienen
 - **RF-8R:** kleine RF ontvanger welke op de 5 pins DIN aansluiting van de LED MICRO SCAN II moet aangesloten worden. Zie de installatiemanual van de ontvanger voor meer info.

Nu kan U de toestellen bedienen:

- **STANDBY TOETS:** Druk op deze toets om de blackout functie van alle aangesloten toestellen te bedienen.
- **MODE/FUNCTIE TOETSEN:** Met de MODE toets kan men 3 verschillende modes selecteren:
 - **De LED is uit:** met de FUNCTIE toets kan U 3 verschillende strobe functies kiezen.
 - **De LED is aan:** met de FUNCTIE toets kan U verschillende shows selecteren.
 - **De LED knippert:** Met de FUNCTIE toets kan U de gewenste gobo/kleur kiezen.



4. **Aangestuurd door een universele DMX-controller:**



Het DMX-protocol is een veel gebruikt signaal om intelligente lichtapparatuur te sturen. De DMX controller en alle DMX-apparatuur moeten in één lange keten verbonden worden. Dit gebeurt met gebalanceerde microfoonkabel van goede kwaliteit, voorzien van XLR M/F aansluitingen. Om onvoorspelbaar gedrag, door interferenties, te vermijden dient men de keten af te sluiten met een weerstand van 90Ω tot 120Ω . Gebruik nooit Y-splitter kabels, dit zal in geen geval werken!

Ieder apparaat in de DMX keten moet over een eigen startadres beschikken zodat het weet welke instructies voor hem bestemd zijn.

• **Het startadres instellen met de DIP-schakelaars:**

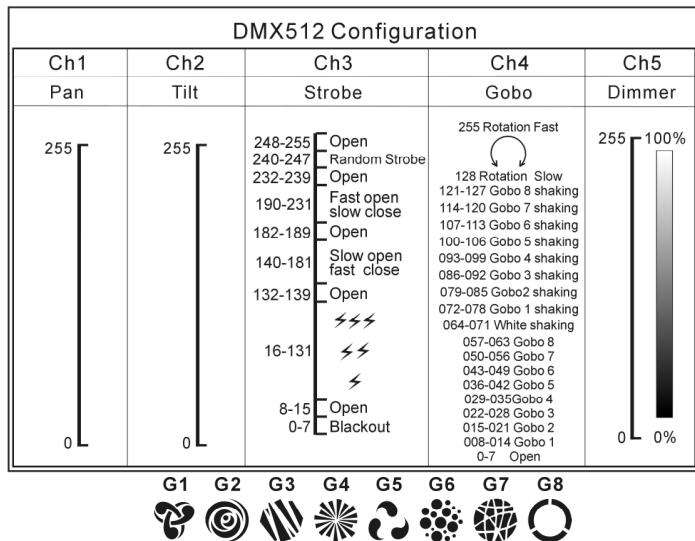
Op de achterzijde van de LED MICRO SCAN II ziet U dat de waarde van de eerste 9 DIP-schakelaars overeen komt met een bepaalde waarde:

Dip	#1	#2	#3	#4	#5	#6	#7	#8	#9	#10
Waarde	1	2	4	8	16	32	64	128	256	Invert slave

U kan deze waarden combineren om een startadres te bekomen tussen 1 en 512:

- Beginadres = 01 → switch 1=ON waarden: 1
- Beginadres = 05 → switch 1+3=ON waarden: 1+4 = 5
- Beginadres = 09 → switch 1+4=ON waarden: 1+8 = 9
- Beginadres = 13 → switch 1+3+4=ON waarden: 1+4+8 = 13
- ...
- Beginadres = 62 → switch 2+3+4+5+6=ON waarden: 2+4+8+16+32=62

• **DMX-CONFIGURATIE VAN DE LED MICRO SCAN II:**



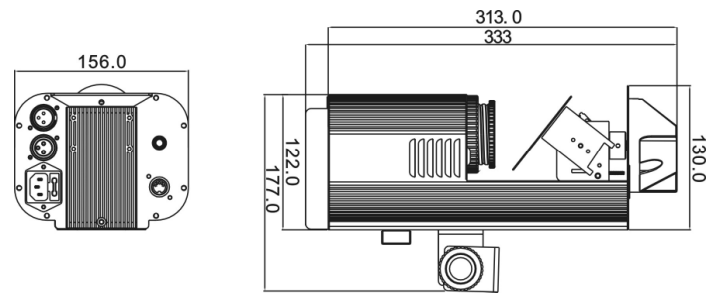
ONDERHOUD

- Overtuig U ervan dat het gebied onder de installatieplaats vrij is van ongewenste personen tijdens het onderhoud.
- Zet het toestel uit, trek de netstekker uit het stopcontact en wacht tot het toestel is afgekoeld.
- **Bij inspectie moeten de volgende punten worden gecontroleerd.**
- Alle schroeven gebruikt om het te toestel te installeren en al zijn onderdelen moeten goed vastgedraaid zijn en mogen niet verroest zijn.
- Behuizingen, vastzetstukken, installeringplaatsen (plafond, spanten, schokbrekers) mogen absoluut niet verwrongen zijn.
- Wanneer een optische lens klaarblijkelijk beschadigd is door barsten of diepe krassen, dan moet deze vervangen worden.
- De stroomkabels moeten in perfecte staat zijn en behoren vervangen te worden, wanneer er zelfs maar een klein probleem ontdekt werd.
- Om het toestel tegen oververhitting te beschermen, behoren de ventilatoren (als die er zijn) en de ventilatieopeningen elke maand gereinigd te worden.
- De binnenkant van het toestel behoort elk jaar gereinigd te worden met een stofzuiger of een luchtspuit.
- Het schoonmaken van inwendige en uitwendige optische lenzen en/of spiegels moet regelmatig worden uitgevoerd om een zo goed mogelijke lichtuitstraling te verkrijgen. Hoe vaak ze schoon moeten worden gemaakt hangt af van de omgeving waar het toestel wordt gebruikt: een klamme, rokerige of bijzonder vuile omgeving kan een grotere opeenhoping van vuil veroorzaken op de optische uitrusting.
 - Reinig met een zachte doek en gebruik normale glasreinigende producten.
 - Droog de onderdelen altijd zorgvuldig af,
 - Reinig de uitwendige optische uitrusting minstens één keer per maand.
 - Reinig de inwendige optische uitrusting minstens om de 3 maanden.

Let op: We bevelen sterk aan dat het schoonmaken van de binnenkant wordt uitgevoerd door vakbekwaam personeel!!

TECHNISCHE KENMERKEN

- Netvoeding:** AC 100 ~ 240V, 50/60Hz
- Zekering:** 250 V/ 2A snelle zekering (20 mm)
- Geluidscontrole:** Inwendige microfoon
- DMX verbinding:** 3 pins XLR mannelijk/ vrouwelijk
- Aantal DMX kanalen:** 5
- Lamp:** CREE 10W White LED
- Afmetingen:** 333 x 156 x 177mm (zie afbeelding)
- Gewicht:** 3 kg



Elke inlichting kan veranderen zonder waarschuwing vooraf
U kan de laatste versie van deze handleiding downloaden via Onze website: www.beglec.com

BEDIENUNGSANLEITUNG

Vielen Dank, dass Sie sich für den Erwerb dieses JBSystems®-Produkt entschieden haben. Bitte lesen Sie diese Bedienungsanleitung sorgfältig vor der Inbetriebnahme durch, zur vollen Ausschöpfung der Möglichkeiten, die dieses Gerät bietet sowie, zu Ihrer eigenen Sicherheit.

EIGENSCHAFTEN

Das Gerät ist funktentstört und erfüllt die Anforderungen der europäischen und nationalen Bestimmungen. Entsprechende Dokumentation liegt beim Hersteller vor.

- Das Gerät ist zur Erzeugung von dekorativem Licht sowie der Benutzung in Lightshows bestimmt.
- Ultra kompakter DMX Scanner für mobile DJs und kleine Clubs
- Basierend auf der 10WATT Weiß LED Technologie:
 - Sehr geringer Stromverbrauch (Geld spendend!)
 - Extrem brillante Farben verglichen mit Geräten mit Halogenlampen
 - Kein Austausch von Leuchtmitteln!
 - Fast keine Hitzeentwicklung: kein störender Ventilator
 - Leichtgewicht (es wird kein Transformator benötigt)
- Großer Lichtoutput und scharfe Gobos, dank excellenter Optiken
- 0-100% Dimmung und ultra schnelle strobe Function
- Excellente vorprogrammierte Programme für wundervolle, immer wechselnde, Licht-Shows:
 - DMX-Steuerung: 5 Kanäle (pan, tilt, color/gobo, strobe, dimmer)
 - Standalone: "Sound to Light" über internes Mikrofon
 - Master/Slave: Wundervoll synchronisierte Shows
- 8 Gobos + open, ausgestattet mit dem "Gobo-shaking Feature"
- 2 optionale Steuerungen verfügbar:
 - CA-8: Kabelgebundene Steuerung für eine bessere Master/Slave Steuerung
 - RF-8SET: Kabellose RF-Steuerung für eine bessere Master/Slave Steuerung (RF-8SET = RF-8T "Sender" + RF-8R "Empfänger")

VOR DER ERSTBENUTZUNG

- Vor der Erstbenutzung bitte das Gerät zuerst auf Transportschäden überprüfen. Sollte das Gerät einen Schaden aufweisen, Gerät bitte nicht benutzen, sondern unverzüglich mit ihrem Händler in Verbindung setzen.
- **Wichtiger Hinweis:** Das Gerät hat das Werk unbeschädigt und gut verpackt verlassen. Es ist wichtig, dass der Benutzer sich streng an die Sicherheitshinweise und Warnungen in der Bedienungsanleitung hält. Schäden durch unsachgemäße Handhabung sind von der Garantie ausgeschlossen. Der Händler übernimmt keine Verantwortung für Schäden, die durch Nichtbeachtung der Bedienungsanleitung hervorgerufen wurden.
- Die Bedienungsanleitung, für zukünftiges Nachschlagen, bitte aufbewahren. Bei Verkauf oder sonstiger Weitergabe des Gerätes, bitte Bedienungsanleitung beifügen.

Packungsinhalt prüfen:

Bitte überprüfen Sie, dass die Packung folgende Einzelteile enthält:

- LED MICRO SCAN II Gerät
- Netzkabel
- Bedienungsanleitung

SICHERHEITSHINWEISE



CAUTION
RISK OF ELECTRIC SHOCK
DO NOT OPEN



ACHTUNG: Um sich nicht der Gefahr eines elektrischen Schlags auszusetzen, entfernen Sie keines der Gehäuseteile. Im Geräte-inneren befinden sich keine vom Benutzer reparierbaren Teile. Überlassen



Sie Reparaturen dem qualifizierten Kundendienst.
Das Blitzsymbol im Dreieck weist den Benutzer darauf hin, dass eine Berührungsgefahr mit nicht isolierten Teilen im Geräteinneren, welche eine gefährliche Spannung führen, besteht. Die Spannung ist so hoch, dass hier die Gefahr eines elektrischen Schlages besteht.



Das Ausrufezeichen im Dreieck weist den Benutzer auf wichtige Bedienungs- und Wartungshinweise in den Dokumenten hin, die dem Gerät beiliegen.



Dieses Symbol bedeutet: Nur innerhalb von Räumen verwenden.



Dieses Symbol bedeutet: Achtung! Bedienungsanleitung lesen!

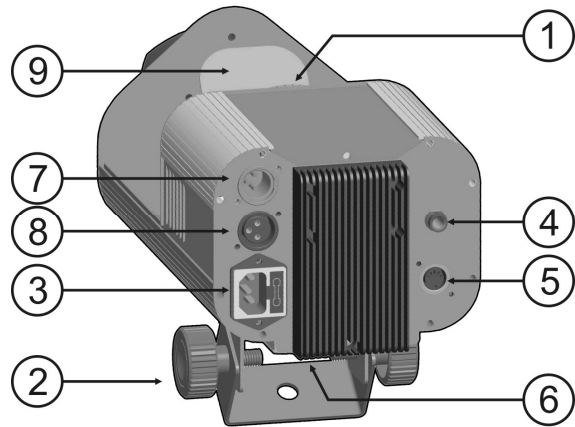


Dieses Symbol stellt fest: der minimale Abstand von beleuchteten Gegenständen. Der minimale Abstand zwischen Projektor und dem belichteten Gegenstand muß mehr als 1 Meter sein.

- Aus Umweltschutzgründen, Verpackung bitte wiederverwenden, oder richtig trennen.
- Zur Vermeidung von Stromschlag oder Feuer, Gerät bitte nicht Regen oder Feuchtigkeit aussetzen.
- Zur Vermeidung von Kondensation im Inneren des Geräts, bitte nach Transport in eine warme Umgebung einige Zeit zum Temperatureausgleich bringen. Kondensation kann zu Leistungsverlust des Gerätes oder gar Beschädigung führen.
- Gerät nicht im Freien und in feuchten Räumen und Umgebungen verwenden.
- Keine Metallgegenstände oder Flüssigkeiten ins Innere des Geräts gelangen lassen, Kurzschluß oder Fehlfunktion können die Folge sein. Falls es doch einmal vorkommen sollte, bitte sofort Netzstecker ziehen und vom Stromkreis trennen.
- Gerät nur in gut belüfteter Position und entfernt von entflammaren Materialien oder Flüssigkeiten betreiben. Mindestabstand an allen Seiten soll mindestens 20 cm sein.
- Ventilationsöffnungen nicht abdecken, da Überhitzungsgefahr!
- Nicht in staubiger Umgebung verwenden und regelmäßig reinigen.
- Für Kinder unerreichbar aufbewahren.
- Unerfahrene Personen sollen das Gerät nicht bedienen.
- Umgebungstemperatur darf 40°C nicht überschreiten.
- Sicherstellen, daß sich während des Auf- und Abbaus keine unbefugten Personen unterhalb des Geräts befinden.
- Stets Netzstecker ziehen, wenn Gerät für längeren Zeitraum nicht genutzt, oder es gewartet wird.
- Elektrische Anschlüsse nur durch qualifiziertes Fachpersonal überprüfen lassen.
- Sicherstellen, daß Netzspannung mit Geräteaufkleber übereinstimmt.
- Gerät nicht mit beschädigtem Netzkabel betreiben. Ist die Zugangsleitung beschädigt, muß diese durch den Hersteller, seinen Vertrieb oder durch eine qualifizierte Person ersetzt werden.
- Netzkabel nicht mit anderen Kabeln in Berührung kommen lassen!
- Zur Einhaltung der Sicherheitsbestimmungen muß das Gerät geerdet sein.
- Gerät nicht an einen Dimmer anschließen.
- Ausschließlich vorschriftsmäßige Kabel zur Installation verwenden.
- Gerät nicht öffnen. Der sind keine zu wartenden Bauteile im Gerät enthalten.
- Sicherung **niemals** reparieren oder überbrücken, sondern **immer** mit gleichartiger Sicherung ersetzen!
- Bei Fehlfunktion, Gerät nicht benutzen und mit Händler in Verbindung setzen.
- Bei sichtbaren Beschädigungen müssen Gehäuse und Optik ersetzt werden.
- Bei Transport bitte Originalverpackung verwenden, um Schäden am Gerät zu vermeiden.
- Aus Sicherheitsgründen dürfen an dem Gerät keine unbefugten Veränderungen vorgenommen werden.

Wichtiger Hinweis: Nicht direkt in die Lichtquelle blicken! Gerät nicht verwenden, wenn sich Personen im Raum befinden, die unter Epilepsie leiden.

BESCHREIBUNG



1. Objektiv mit manueller Einstellung der Fokus
2. Deckenhalterung mit 2 Drehknöpfen zur Festschrauben und zum Befestigen an einen Montagehaken.
3. Netzanschluss mit IEC Buchse mit integrierter Sicherung zum Anschluss an die Steckdose
4. 1/4" Klinkenbuchse zum Anschluss des wahlweisen CA-8 Controllers
5. Din-5pin Eingang, zum Anschluss der wahlweise kabellosen Steuerung RF-8R
6. DIP-switches: legt die DMX Start Adresse des Gerätes fest.
7. DMX Eingang: Der 3pin male XLR-Stecker verbindet das Gerät mit universalen DMX-Kabeln. Dieser Eingang empfängt die Signale eines DMX-Contollers oder eines anderen LED MICRO SCAN II-Lichteffekts, falls die Geräte im Master/Slave Modus verwendet werden.
8. DMX Ausgang: Der 3pin female XLR-Stecker verbindet den LED MICRO SCAN II mit der nächsten Einheit der DMX-Kette oder mit einem anderen LED MICRO SCAN II-Lichteffekt, falls die Geräte im Master/Slave Modus verwendet werden.
9. Ablenkspiegel

ÜBERKOPF-MONTAGE

- **Wichtig:** Montage ausschließlich durch qualifiziertes Fachpersonal durchführen lassen. Unvorschriftsmäßiger Einbau kann erhebliche Verletzungen und/oder Schäden verursachen. Überkopf-Montage verlangt entsprechende Erfahrung! Belastungsgrenzen müssen beachtet werden, geeignetes Installationsmaterial muß verwendet werden und das installierte Gerät muß in regelmäßigen Abständen überprüft werden.
- Sicherstellen, dass sich keine unbefugten Personen unterhalb des Geräts befinden, während es installiert oder gewartet wird.
- Gerät in gut belüfteter Position installieren, weit entfernt von entflammaren Materialien und/oder Flüssigkeiten. Einen Seitenabstand von mindestens 20cm einhalten.
- Gerät außerhalb der Reichweite von Personen, und nicht in niedrigen Durchgängen oder in der Nähe von Sitzgelegenheiten installieren.
- Vor Montage sicherstellen, dass die gewählte Position wenigstens das 10-fache Gerätgewicht aufnehmen kann.
- Zur Aufhängung stets geeignetes Befestigungsmaterial verwenden, das das 12-fache Gerätgewicht aushalten kann. Eine zweite Sicherungsaufhängung muß angebracht werden, die ein Absacken des Geräts von mehr als 20 cm verhindert, sollte die Befestigung brechen.
- Gerät gut befestigen. Eine freischwingende Aufhängung ist gefährlich und sollte auf gar keinen Fall in Betracht gezogen werden!
- Ventilationsöffnungen nicht abdecken, da Überhitzungsgefahr!
- Betreiber muß sicherstellen, dass die sicherheitsrelevanten und technischen Installationen vor Erstbetrieb fachmännisch vorgenommen worden sind.

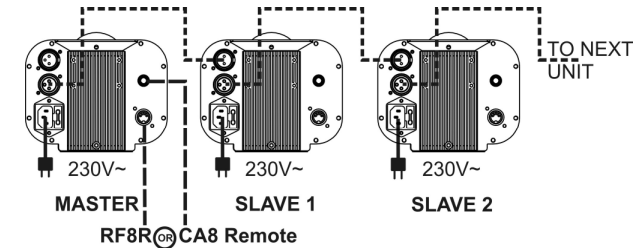
ANSTEUERUNG

1. **Standalone einer Einheit:**

Verbinden Sie die Geräteeinheit mit der Stromversorgung und schalten Sie Musik an. Das Gerät beginnt automatisch im Rhythmus der Musik zu laufen.

2. **Zwei oder mehr Einheiten im Master/Slave Zustand:**

Verbinden Sie zwei oder mehr Geräteeinheiten mit symmetrischen XLR-Mikrofonkabeln. Das Gerät, an dem kein Kabel mit dem Input verbunden ist, wird als Master fungieren, alle anderen als Slave.

**Vergessen Sie nicht, die DMX Adressen wie folgt zu setzen:**

- **Master Einheit:** DMX Anfangsadresse MUSS auf 001 gesetzt werden. (erster DIP Schalter = ON, alle anderen auf OFF)
- **Slave Einheiten:** die DMX Anfangsadresse kann jeden Wert haben, aber NICHT 001 (Beispiel: Setzen Sie die ersten 3 Dip Schalter auf ON)

Die Umkehr einer Slave-Einheit ist durch eine Veränderung der Position des DIP-Schalters Nr. 10 möglich. Probieren Sie es aus und schauen Sie, ob der Effekt sich verbessert. Die Veränderung der DIP-Schalters Nr. 10 beim Master hat keinen Auswirkung.

3. **Schließen Sie den optionalen CA-8 oder RF-8SET Controller an, um das Gerät besser zu kontrollieren:**

Der CA-8 oder RF-8SET Controller kann nur im Standalone- oder im Master/Slave Modus verwendet werden.

- **CA-8 Kabelgebundene Steuerung:** Verbinden Sie den Controller mit dem Klinken Eingang der ersten Geräteeinheit (Master).
- **RF-8SET Kabellose Steuerung:** die kabellose Steuerung besteht aus 2 Teilen:
 - **RF-8T:** kleiner RF-Transmitter welcher bis zu 5 Effekte steuern kann.
 - **RF-8R:** kleiner RF-Empfänger welcher an den DIN-5pin input des LED MICRO SCAN II angeschlossen wird. Siehe Bedienungsanleitung des Empfängers für mehr Informationen.

Nun können Sie alle angeschlossenen Einheiten kontrollieren

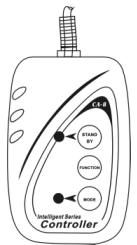
• **STANDBY KNOFF:**

Drücken Sie diesen Knopf um den Blackout Modus an allen angeschlossenen.

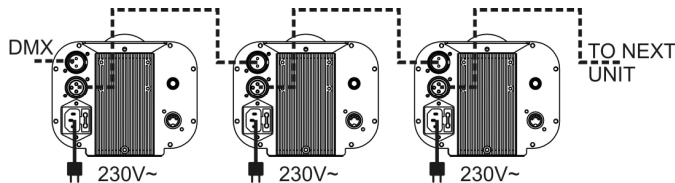
• **MODE Knopf:**

Mit dem MODE Knopf können Sie 3 verschiedene Modi wählen:

- **Die LED ist aus:** Mit dem FUNCTION Knopf können Sie 3 verschiedene Stroboskop Funktionen wählen.
- **Die LED ist an:** Mit dem FUNCTION Knopf können Sie verschiedene Shows wählen.
- **Die LED blinkt:** Mit dem FUNCTION Knopf können Sie die gewünschten Gobo/Farbe wählen.



4. Kontrolle durch einen universalen DMX-Controller:



Das DMX Protokoll ist ein weitverbreitetes Hochgeschwindigkeitssignal, um intelligentes Lightequipment zu steuern. Verbinden Sie Ihren DMX Controller und alle angeschlossenen Lighteffekte mit einem synchronen XLR-Kabel M/F. Um Fehlfunktionen der Lighteffekte zu vermeiden, die auf Störungen zurückzuführen wären, benutzen Sie einen 90Ω bis 120Ω Widerstand am Ende der Kette. Benutzen Sie niemals Y-splitter Kabel, diese funktionieren nicht!

Jeder Lighteffekt in der Kette braucht seine passende Startadresse, damit er weiß, welche Befehle vom Controller er umsetzen muss.

Wie man die DIP-Schalter setzt, um die richtige Startadresse zu erhalten:

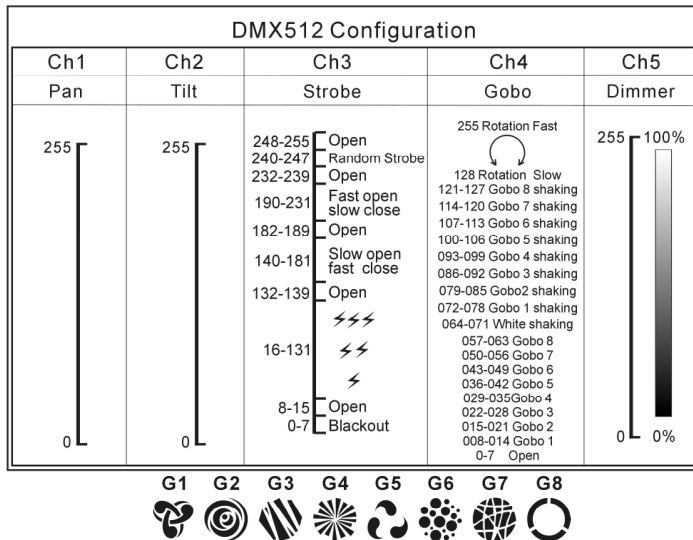
An der Rückseite des LED MICRO SCAN IIs sehen Sie, dass jeder der neun DIP-Schalter zu einem bestimmten Wert gehört:

Dip	#1	#2	#3	#4	#5	#6	#7	#8	#9	#10
Wert	1	2	4	8	16	32	64	128	256	Slave invertieren

Sie können die Werte dieser Schalter kombinieren um jede Startadresse zwischen 1 und 512 zu erhalten:

- Anfangsadresse = 01 → Schalter 1=ON Werte: 1
- Anfangsadresse = 05 → Schalter 1+3=ON Werte: 1+4 = 5
- Anfangsadresse = 09 → Schalter 1+4=ON Werte: 1+8 = 9
- Anfangsadresse = 13 → Schalter 1+3+4=ON Werte: 1+4+8 = 13
- ...
- Anfangsadresse = 62 → Schalter 2+3+4+5+6=ON Werte: 2+4+8+16+32 = 62

DMX-KONFIGURATION DEM LED MICRO SCAN II:



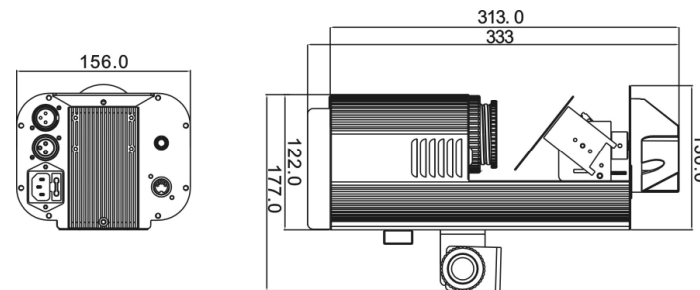
WARTUNG UND INSTANDHALTUNG

- Sicherstellen, dass sich keine unbefugten Personen unterhalb des Geräts befinden, während es gewartet wird.
- Gerät ausschalten, Netzstecker ziehen und warten, bis es sich abgekühlt hat.
- **Während der Wartung sind folgende Punkte ganz besonders zu beachten:**
- Sämtliche Schrauben zur Installation und Befestigung jeglicher Teile müssen fest angezogen und rostfrei sein.
- Gehäuse, Befestigungsmaterialien und Aufhängungen (Decke, Balken, abgehängte Decken) dürfen keine Anzeichen von Verformung zeigen.
- Ist die Optik sichtbar beschädigt (Sprünge oder tiefe Kratzer), dann müssen die entsprechenden Teile ausgewechselt werden.
- Netzkabel muß stets in einwandfreiem Zustand sein und selbst bei kleinsten Beschädigungen erneuert werden.
- Zur Vermeidung von Überhitzung müssen die Ventilatoren (sofern vorhanden) und Lüftungsschlitze monatlich gereinigt werden.
- Gerät innen mindestens einmal pro Jahr mit Staubsauger oder Airjet reinigen.
- Reinigung der inneren und äußeren optischen Linsen und/oder Spiegel müssen in regelmäßigen Abständen zur Beibehaltung einer optimalen Lichtausbeute vorgenommen werden. Reinigungsintervalle hängen stark von der Umgebung ab: feuchte, verrauchte und besonders verschmutzte Umgebung führen zu größerer Verschmutzung auf den Linsen.
 - Mit weichem Tuch und gewöhnlichem Glasreiniger säubern.
 - Alle Teile stets gut abtrocknen.
 - Äußere Optik mindestens alle 30 Tage säubern.
 - Innere Optik mindestens alle 90 Tage säubern.

Achtung: Wir empfehlen dringend, Reinigung im Innern des Geräts nur von qualifiziertem Personal durchführen zu lassen!

TECHNISCHE EINZELHEITEN

- Netzspannung:** AC 100 ~ 240V, 50/60Hz
- Sicherung:** 250V / 2A schnelle Sicherung (20mm Glas)
- Klangregler:** Eingebautes Mikrofon
- DMX Anschlüsse:** 3-pin XLR Stecker/Buchse
- DMX channels:** 5
- Lichtquelle:** CREE 10W LED weiß
- Abmessungen:** 333 x 156 x 177mm (siehe Zeichnung)
- Gewicht:** 3,0kg



Technische Änderungen können auch ohne Vorankündigung vorgenommen werden!
 Sie können sich die neueste Version dieses Benutzerhandbuches von unserer Website herunterladen: www.beglec.com

MANUAL DE INSTRUCCIONES

Gracias por la compra de este producto JB Systems®. Para sacar todo el rendimiento de las posibilidades de este aparato y por su propia seguridad, por favor lea este manual de instrucciones con mucho cuidado antes de utilizar esta unidad.

CARACTERÍSTICAS

Esta unidad no interfiere con señales de radio. Este producto cumple las exigencias de las directrices actuales Europeas y nacionales. Se ha establecido conformidad y las declaraciones y documentos relevantes se han depositado por el fabricante.

- Este aparato ha sido diseñado para producir efecto de iluminación decorativa y se usa en sistemas de iluminación de espectáculos.
- Escáner DMX ultra compacto para DJs móviles y pequeños clubes
- Basado en la tecnología LED BLANCO de 10 W :
 - Bajo consumo de energía (ahorro de dinero!)
 - Los colores muy brillantes en comparación con las unidades con lámparas halógenas
 - Ya no hay reemplazos de lámpara!
 - Sin calentamiento, ausencia ruido de ventiladores
 - Peso ligero (no necesita transformadores de lámpara)
- Potencia de luz y gobos muy afinados, gracias a la excelente óptica
- Dimerización de 0-100% función estroboscópica ultra rápida
- Excelente incorporación de maravillosos programas, que cambian siempre los espectáculos de luz:
 - Control-DMX: 5 canales (pan, tilt, color / gobo, estrobo, dimmer)
 - Independiente: activación mediante el micrófono interno
 - Maestro / Esclavo: maravillosos espectáculos sincronizados
- 8 gobos + abierto, equipado con función temblequeo de gobo
- Disponibilidad opcional de 2 remotos:
 - CA-8: Control remoto con cable para mejorar el control maestro/esclavo
 - RF-8SET: Remoto inalámbrico para mejorar el control maestro / esclavo (RF-8SET = RF-8T "transmitter" + RF-8R "receiver")

ANTES DEL USO

- Antes de utilizar esta unidad, por favor compruebe que no hay daños causados por el transporte. En caso contrario, no utilice este aparato y consulte a su vendedor.
- **Importante:** Este aparato salió de la empresa en perfecto estado y bien empaquetado. Es absolutamente necesario por parte del usuario seguir estrictamente las instrucciones de seguridad y advertencias de este manual. Cualquier daño causado por manejo inadecuado no estará sujeto a la garantía. El vendedor no aceptará responsabilidad por ningunos defectos o problemas que resulten de ignorar este manual del usuario.
- Mantenga este folleto en un lugar seguro para consultas futuras. Si vende esta instalación, asegúrese de añadir este manual de usuario.
- Para proteger el medio ambiente, por favor intente reciclar el material de empaquetado tanto como sea posible.

Compruebe el contenido:

Compruebe que la caja contiene los siguientes ítems:

- Unidad LED MICRO SCAN II
- Cable de Alimentación
- Instrucciones de manejo

INSTRUCCIONES DE SEGURIDAD:



CAUTION
RISK OF ELECTRIC SHOCK
DO NOT OPEN



PRECAUCIÓN: Para reducir el riesgo de electrocución, no quite la cubierta superior. Ninguna pieza usable adentro para el utilizador. Diríjase únicamente a personal cualificado.



El símbolo de un rayo en el interior de un triángulo alerta sobre la presencia o el uso de elementos no aislados donde un voltaje peligroso constituye un riesgo grande para causar una eventual electrocución.



El punto de exclamación en el interior de un triángulo alerta al usuario sobre la presencia de importantes instrucciones de operación y de mantenimiento tenidas en cuenta en el manual de uso.



Este símbolo significa : uso para el interior solamente.



Este símbolo significa : Lea las instrucciones.

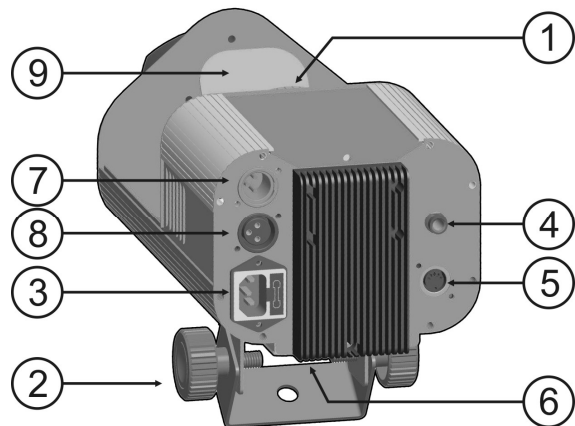


Este símbolo se determina: la distancia mínima de objetos iluminado. La distancia mínima entre el proyector y el objeto iluminado debe ser más de 1 metro.

- Afin de evitar todo riesgo de incendio o electrocución, no exponer el aparato a la lluvia o ambiente humedo.
- Para evitar fuego o riesgos de descargas no exponga este aparato a la lluvia o humedad.
- Para evitar que se forme condensación en el interior, permita que la unidad se adapte a las temperaturas circundantes cuando la lleve a una habitación cálida después de transporte. Condensación algunas veces impide que la unidad funcione a rendimiento pleno o puede incluso causar daños.
- Esta unidad es sólo para uso interior.
- No coloque objetos metálicos o derrame líquidos dentro de la unidad. Podría resultar descarga eléctrica o mal funcionamiento. Si un objeto extraño entrara en la unidad, desconecte inmediatamente la fuente de alimentación.
- Coloque la instalación en un lugar bien ventilado, alejado de cualquier material inflamable y/o líquidos. La instalación debe ser fijada al menos a 20 cm. de distancia de los muros circundantes.
- No cubra ninguna apertura de ventilación ya que esto podría resultar en sobrecalentamiento.
- Evite su uso en ambientes polvorientos y limpie la unidad regularmente.
- Mantenga la unidad alejada de los niños.
- Personas sin experiencia no deberían manejar este aparato.
- La temperatura máxima de ambiente es 40°C. No use esta unidad a temperaturas más elevadas.
- Asegúrese de que el área por debajo del sitio de instalación está libre de personas ajenas durante el montaje, desmontaje y reparación.
- Siempre desenchufe la unidad cuando no la use por un periodo de tiempo largo o antes de cambiar la bombilla o comenzar una reparación.
- La instalación eléctrica debería ser llevada a cabo sólo por personal cualificado, acorde a las regulaciones para seguridad eléctrica y mecánica de su país.
- Compruebe que el voltaje disponible no es superior al que aparece en el panel trasero de la unidad.
- El cable de alimentación debería estar siempre en perfectas condiciones: apague el aparato inmediatamente cuando el cable de alimentación esté roto o dañado. Debe ser substituido por el fabricante, su servicio técnico o otra persona cualificada.
 - ¡Nunca deje el cable de alimentación entrar en contacto con otros cables!
 - Esta instalación debe ser conectada a tierra para cumplir con las regulaciones de seguridad.
 - No conecte la unidad a ningún paquete de reducción de luz.
 - Siempre use un cable de seguridad apropiado y certificado cuando instale la unidad.
 - Para prevenir descargas eléctricas, no abra la tapa. No hay partes que puedan ser reparadas por el usuario en su interior.
- **Nunca** repare un fusible o haga un bypass al fusible. ¡Siempre sustituya el fusible dañado por un fusible del mismo tipo y especificaciones eléctricas!
- En el caso de problemas serios de manejo, deje de usar la instalación y contacte con su vendedor inmediatamente.
- La carcasa y las lentes deben ser cambiadas si hay daño visible.
- Por favor, use el empaquetado original cuando el aparato deba ser transportado.
- Debido a motivos de seguridad está prohibido hacer modificaciones sin autorizar a la unidad.

Importante: ¡Nunca mire directamente a la fuente de luz! No use el efecto en presencia de personas que sufran de epilepsia.

DESCRIPCION:



1. Lentes ópticas con ajuste de enfoque manual
2. Asa para colgar con una tuerca en ambos lados la unidad con un gancho de montaje.
3. Entrada de alimentación principal con zocalo IEC y portafusible con fusible integrado, conecte el cable de alimentación suministrado aquí.
4. Jack de 1/4" usado para conectar el controlador opcional CA-8.
5. Din-5 pines de entrada, se utiliza para conectar un receptor inalámbrico opcional, llamado RF-8R
6. Interruptores DIP: permiten dar la dirección de arranque DMX de la unidad.
7. Entrada DMX: Conector XLR 3pin macho para cables XLR universales. Esta entrada recibe instrucciones del controlador DMX o de otro LED MICRO SCAN II conectado en modo master/slave.
8. Salida DMX: Conector XLR 3pin macho permite conectar el LED MICRO SCAN II a la siguiente unidad de la cadena DMX o a otro LED MICRO SCAN II en modo master/slave.
9. Espejo de escaneo

APAREJADO SUPERIOR

- **Importante:** La instalación debe ser llevada a cabo sólo por personal cualificado. Una instalación impropia podría resultar en serias heridas y/o daño a la propiedad. ¡El aparejado superior requiere una larga experiencia! Los límites de las cargas de trabajo deben respetarse, materiales certificados de instalación deben ser usados, el aparato instalado debería ser inspeccionado regularmente por seguridad.
- Asegúrese de que el área por debajo del sitio de instalación está libre de personas ajenas durante el montaje, desmontaje y reparación.
- Coloque la instalación en un sitio bien ventilado, lejos de cualquier material inflamable y/o líquidos. La instalación debe ser fijada al menos a 20cm de los muros circundantes.
- El aparato debería ser instalado fuera del alcance de la gente y fuera de áreas donde personas puedan caminar o sentarse.
- Antes del aparejado asegúrese de que el área de instalación puede soportar un mínimo punto de carga de 10 veces el peso del aparato.
- Siempre use un cable de seguridad certificado que pueda sostener 12 veces el peso del aparato. Este añadido secundario de seguridad debería ser instalado de una forma que no hubiera parte de la instalación que pudiera caer más de 20cm si el añadido principal falla.
- El aparato debe ser bien fijado, ¡un montaje que se mueva con libertad es peligroso y no debe considerarse!
- No cubra ninguna apertura de ventilación ya que esto podría resultar en sobrecalentamiento.
- El operador tiene que asegurarse de que las instalaciones relativas a seguridad, maquinaria y técnica están aprobadas por un experto antes de usarlas la primera vez. Las instalaciones deberían ser

inspeccionadas cada año por una persona con conocimientos para asegurar que la seguridad es todavía óptima.

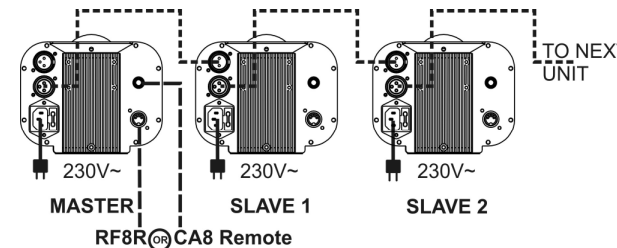
CONTROLAR EL MICRO LED SCAN

1. Autonomo 1unidad:

Conectar simplemente la alimentación de la unidad y poner música. La unidad se pone automáticamente en funcionamiento al ritmo de la música.

2. Configuración de 2 unidades o mas en modo master/slave:

Conectar entre ellas 2 unidades o más con cables de micro XLR balanceados de buena calidad. La unidad que no tiene ningún cable conectado en su entrada reacciona en maestro; las otras unidades son esclavos.



No olvidar el ajuste de las direcciones DMX de esta manera:

- **Master (Maestro)** : La dirección DMX de arranque tiene que ser 001. (el primer interruptor DIP = ON, todos los otros OFF)
- **Slave (esclavo)** : La dirección de arranque puede ser cualquiera pero NUNCA 001 (ejemplo: colocar los 3 primeros interruptores DIP en posición ON)

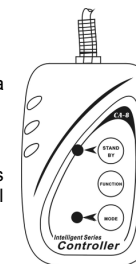
Es posible invertir el comportamiento de una unidad esclavo cambiando la posición del interruptor n°10. Ensayar y dejarlo en la posición que mejor resultado de. Cambiar el DIP n°10 sobre la unidad master no tiene ningún efecto.

3. Conectar el controlador CA-8 o RF-8SET (en opción) para más posibilidades:

El controlador CA-8 o RF-8SET puede ser utilizado en modo autonomo o master/slave.

- **CA-8 remoto cableado:** Conectar el controlador a la entrada jack de la primera unidad (master).
- **RF-8SET remoto inalámbrico:** el control remoto inalámbrico tiene dos partes:
 - **RF-8T:** pequeño transmisor RF que puede controlar hasta 5 efectos.
 - **RF-8R:** pequeño receptor RF que debe ser conectado a la DIN de 5 pines de entrada del SCAN MICRO LED. Consulte el manual de instalación del receptor para más información.

Ahora, todas las unidades pueden ser controladas



BOTON STANDBY:

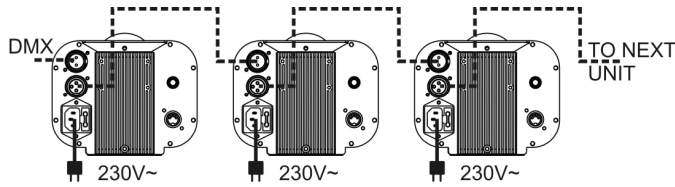
Pulsarlo para entrar/salir del modo blackout sobre todas las unidades conectadas.

TECLAS MODE/FUNCTION:

Con la tecla MODE puede seleccionar 3 modos de funcionamiento diferentes :

- **El LED apagado:** utilizando la tecla FUNCTION puede seleccionar una de las 3 funciones estroboscópicas.
- **El LED encendido:** utilizando la tecla FUNCTION puede seleccionar uno de los Shows.
- **El LED parpadea:** Utilizando la tecla FUNCTION puede seleccionar el gobo/color deseado.

4. Controlado por controlador DMX universal:



El famoso protocolo DMX consiste en una señal muy rápida que permite controlar equipos de iluminación. Resulta imperativo conectar el controlador DMX y los diferentes elementos de la cadena con cables XLR balanceados de buena calidad. Para evitar que los efectos se comporten de manera anormal, por culpa de interferencias, utilizar terminales de 90Ω a 120Ω en fin de cadena. No se deben utilizar cables en "y", no funcionan!

Cada efecto de la cadena necesita su propia dirección de arranque para saber cuales informaciones, mandadas por el controlador, tiene que decodificar.

• **Configuración de los DIP para obtener la dirección de arranque correcta:**

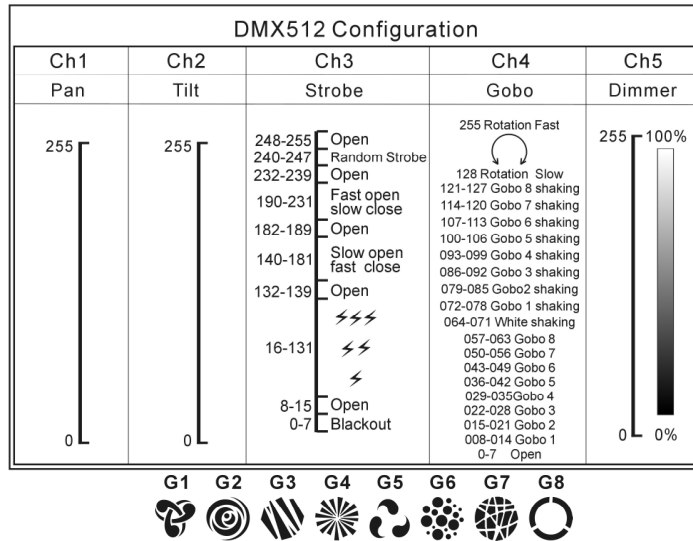
En la parte trasera del LED MICRO SCAN II, cada uno de los 9 DIP corresponde a un valor:

Dip	#1	#2	#3	#4	#5	#6	#7	#8	#9	#10
Valor	1	2	4	8	16	32	64	128	256	Invertir esclavo

Combinar estos valores para obtener direcciones de arranque situadas entre 1 y 512:

Dirección = 01	→ DIP 1=ON	valor: 1
Dirección = 05	→ DIP 1+3=ON	valor: 1+4 = 5
Dirección = 09	→ DIP 1+4=ON	valor: 1+8 = 9
Dirección = 13	→ DIP 1+3+4=ON	valor: 1+4+8 = 13
...		
Dirección = 62	→ DIP 2+3+4+5+6=ON	valor: 2+4+8+16+32 = 62

• **CONFIGURACION DMX DEL LED MICRO SCAN II:**



MANTENIMIENTO

- Asegúrese de que el área por debajo del sitio de instalación está libre de personas ajenas durante la reparación.
- Apague la unidad, desconecte el cable principal y espere hasta que la unidad se haya enfriado.

Durante la inspección los siguientes puntos deben ser comprobados:

- Todos los tornillos usados para la instalación del aparato y cualquiera de sus partes deben ser apretados fuertemente y no pueden estar corroidos.
- Carcasas, fijaciones y puntos de instalación (techos, armaduras, suspensiones) deberán estar totalmente libres de ninguna deformación.
- Cuando una lente óptica esté visiblemente dañada debido a golpes o rayados profundos, debe ser cambiada.
- Los cables principales deben estar en una condición impecable y deben ser cambiados de inmediato cuando incluso un pequeño problema se detecte.
- En orden de proteger al aparato de sobrecalentamiento, los ventiladores de enfriamiento (caso de haberlos) y las aperturas de ventilación deberían ser limpiados mensualmente.
- El interior del aparato debería ser limpiado anualmente usando una aspiradora o máquina de aire.
- La limpieza de lentes y/o espejos internos y externos debe ser llevada a cabo periódicamente para optimizar la salida de luz. La frecuencia de limpieza depende del ambiente en el cual la instalación está funcionando: húmedo, con humo o con alrededores particularmente sucios puede causar una mayor acumulación de polvo en las ópticas de la unidad.
 - Limpie con un trapo suave usando productos limpiadores normales de cristal.
 - Seque siempre las partes cuidadosamente.
 - Limpie las ópticas externas al menos una vez cada 30 días.
 - Limpie las ópticas internas al menos cada 90 días.

Atención: ¡Recomendamos con insistencia que la limpieza interna sea llevada a cabo por personal cualificado!

ESPECIFICACIONES

Alimentación:

AC 100 ~ 240V, 50/60Hz

Fusible:

250V / 2A Volado rapido (cristal de 20mm)

Control de sonido:

Micrófono Interno

Conexiones DMX :

3pin XLR macho / hembra

Canales DMX:

5

Lámpara:

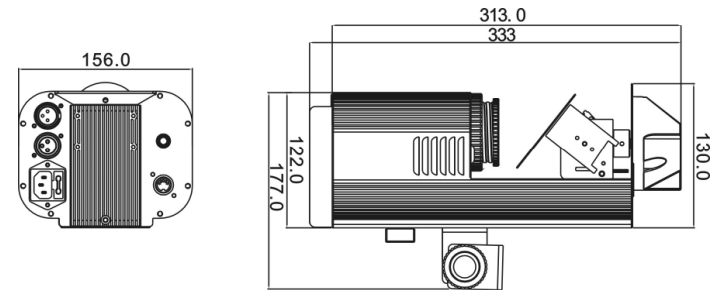
LED Blanco 10 W, marca CREE

Tamaño:

333 x 156 x 177mm (ver dibujo)

Peso:

3kg



Toda la información está sujeta a cambios sin previo aviso
Puede descargar la última versión de este manual de usuario en nuestro sitio web: www.beglec.com

MANUAL DO UTILIZADOR

Obrigado por ter adquirido este produto da JB Systems®. De modo a tirar total proveito das possibilidades deste produto, por favor leia este manual com atenção.

CARACTERÍSTICAS

Esta unidade está protegida contra interferências rádio. Este produto cumpre as exigências impostas pelas presentes directivas nacionais e europeias. A conformidade deste produto foi comprovada e as declarações e documentos relevantes foram efectuados pelo fabricante.

- Esta unidade destina-se a produzir efeitos luminosos decorativos e é utilizada em sistemas de espectáculos de luz.
- Scanner DMX ultra compacto para DJs móvel e pequenos clubes
- Baseado na tecnologia de LED BRANCO 10WATT:
 - Consumo muito baixo de potência
 - Cores extremamente brilhantes comparando a efeitos baseados em lâmpadas de halogéneo
 - Sem substituição de lâmpadas!
 - Virtualmente sem produção de calor: sem ventoinhas ruidosas
 - Peso leve (sem necessidade de transformadores de lâmpada)
- Elevada saída de luz e gobos nítidos, graças às ópticas excelentes
- Controlo de intensidade de 0-100% e função estroboscópica ultra rápida
- Excelentes espectáculos de luz pré programados activados por som:
 - Controlo DMX: 5 canais (horizontal, vertical, cor/gobo, strobe, dimmer)
 - Autónomo: activado por som com microphone interno
 - Modo Master/slave: para espectáculos maravilhosos sincronizados
- 8 gobos + branco, equipado também como a função vibração do espelho
- 2 comandos opcionais disponíveis:
 - CA-8: comando com fio para controlo melhorado master/salve
 - RF-8SET: comando RF sem fio para controlo melhorado master/salve (RF-8SET = RF-8T "transmissor" + RF-8R "receptor")

ANTES DE UTILIZAR

- Antes de utilizar esta unidade verifique se existem danos provocados durante o transporte. Caso existam danos aparentes, não utilize a unidade e contacte o seu revendedor.
- **Importante:** Esta unidade deixou a nossa fábrica em perfeitas condições e devidamente embalada. É imprescindível que o utilizador siga as instruções de segurança e avisos descritos neste manual. Quaisquer danos provocados por utilização incorrecta não serão cobertos pela garantia. O revendedor não será responsável por quaisquer danos ou problemas causados pelo incumprimento das instruções deste manual.
- Guarde este manual num local seguro para consulta futura. Caso venda esta unidade, forneça este manual.

Verifique o conteúdo:

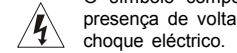
Certifique-se que a caixa contém os seguintes artigos:

- LED MICRO SCAN II
- Cabo de alimentação
- Manual do utilizador

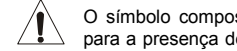
INSTRUÇÕES DE SEGURANÇA:



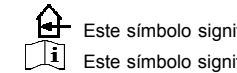
ATENÇÃO: De forma a evitar o risco de choque eléctrico, não remova peças da unidade. Não tente fazer reparações. Contacte pessoal qualificado.



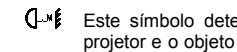
O símbolo composto por um triângulo equilátero com um relâmpago no interior alerta para a presença de voltagem perigosa não isolada no interior do produto que poderá constituir risco de choque eléctrico.



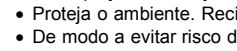
O símbolo composto por um triângulo equilátero com um ponto de exclamação alerta o utilizador para a presença de instruções importantes de utilização e manutenção do produto.



Este símbolo significa: utilização unicamente em espaços fechados.



Este símbolo significa: Leia instruções.

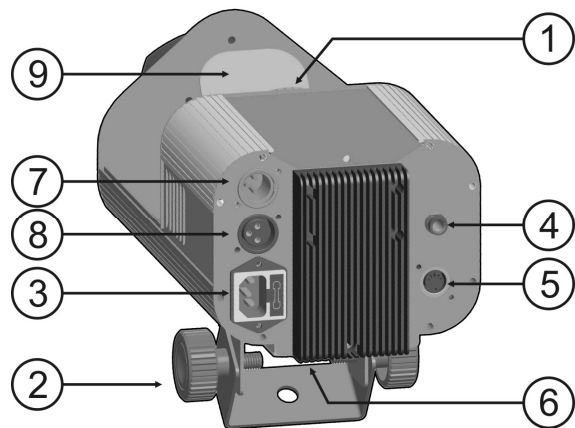


Este símbolo determina: a distância mínima dos objetos iluminados. A distância mínima entre o projetor e o objeto iluminado deve ser mais de 1 medidor.

- Proteja o ambiente. Recicle o material desta embalagem.
- De modo a evitar risco de fogo ou choque eléctrico, não exponha este produto a chuva ou humidade.
- De forma a evitar a formação de condensação no interior da unidade, ao transportá-la para ambiente quente aguarde algum tempo de modo a que haja uma ambientação à temperatura. A condensação poderá afectar o desempenho da unidade ou até danificá-la.
- Esta unidade destina-se unicamente a utilização em espaços fechados.
- Não introduza objectos de metal nem verta líquidos no interior do produto, correrá risco de choque eléctrico ou poderá danificar o produto. Caso algum objecto estranho entre em contacto com o interior da unidade, desligue-a de imediato da corrente.
- Coloque esta unidade num local arejado, afastado de materiais inflamáveis e/ou líquidos. Esta unidade deverá ser instalada a pelos menos 20cm de distância de paredes circundantes.
- Não cubra os orifícios de ventilação ou a unidade poderá sobreaquecer.
- Evite locais com poeiras. Limpe a unidade regularmente.
- Mantenha esta unidade fora do alcance das crianças.
- Esta unidade deverá ser operada unicamente por pessoas experientes.
- Temperatura ambiente de funcionamento máxima é de 40°C. Não utilize esta unidade a temperaturas ambientes mais elevadas.
- Certifique-se de que não irão passar pessoas sob a área de instalação da unidade durante a instalação e manutenção.
- Desligue sempre a unidade da corrente quando não a utilizar durante longos períodos de tempo, antes de substituir a lâmpada ou de efectuar manutenção.
- A instalação eléctrica deve ser efectuada unicamente por pessoal qualificado, cumprindo os regulamentos de segurança em instalações eléctricas e mecânicas do seu país.
- Certifique-se que a voltagem a utilizar não é superior à voltagem indicada no painel traseiro da unidade.
- O cabo de alimentação deverá estar sempre em perfeitas condições. Desligue a unidade e substitua imediatamente o cabo caso este apresente algum dano. Deverá ser substituído pelo fabricante, pelo agente autorizado ou pessoal qualificado de modo a evitar um acidente.
- Nunca permita que este cabo entre em contacto com outros cabos!
- Esta unidade deverá estar ligada à Terra de forma a respeitar as regras de segurança.
- Não ligue a unidade a reguladores de intensidade.
- Utilize sempre um cabo de segurança aprovado ao instalar a unidade.
- De forma a não correr risco de choque eléctrico não abra a cobertura da unidade. Não existem peças que possam ser substituídas pelo utilizador.
- **Nunca** repare um fusível nem tente operar a unidade sem fusível. Substitua **sempre** um fusível danificado por outro com as mesmas características!
- Em caso de problemas sérios de funcionamento, interrompa a utilização da unidade e contacte imediatamente o seu revendedor.
- A cobertura e as lentes deverão ser substituídas caso apresentem danos visíveis.
- Caso seja necessário transportar a unidade utilize a embalagem original.
- Por motivos de segurança, são proibidas quaisquer alterações não autorizadas à unidade.

Importante: Nunca olhe directamente para a luz! Não utilize este efeito luminoso na presença de pessoas epilépticas.

DESCRIÇÃO:



1. Lente óptica com ajuste de focagem manual
2. Suporte de suspensão com 2 parafusos de aperto em ambos os lados para fixar a unidade e um orifício para aplicação de um gancho de montagem.
3. Fonte de alimentação com conector IEC e suporte de fusível integrado. Ligue o cabo de alimentação fornecido a este conector.
4. Conector Jack ¼" utilizado para ligar o controlador opcional CA-8.
5. Saída de 5 pinos, usado para conectar um receptor sem fios opcional, chamado RF-8R.
6. Interruptores DIP switch, utilizados para definir o endereço inicial da unidade.
7. Entrada DMX: conector XLR macho de 3 pins utilizado para ligar cabos DMX universais. Esta entrada recebe informações de um controlador DMX ou de outra unidade LED MICRO SCAN II durante o modo master/slave.
8. Saída DMX: conector XLR fêmea de 3 pins utilizado para ligar o LED MICRO SCAN II a outra unidade na cadeia DMX ou a outro LED MICRO SCAN II em modo master/slave.
9. Espelho de varrimento.

INSTALAÇÃO EM SUSPENSÃO

- **Importante:** A instalação deve ser efectuada unicamente por pessoal qualificado. Uma instalação incorrecta pode resultar em ferimentos graves e/ou danos na sua propriedade. Para efectuar uma instalação em suspensão é necessária muita experiência! Respeite os limites de carga, utilize materiais de instalação aprovados e inspeccione a unidade instalada regularmente de forma a assegurar a segurança.
- Certifique-se que sob a área de instalação da unidade não irão passar pessoas durante a instalação e manutenção.
- Coloque esta unidade num local arejado, afastada de materiais inflamáveis e/ou líquidos. Esta unidade deverá ser instalada a pelos menos 20cm de distância de paredes circundantes.
- A unidade deve ser instalada fora do alcance das pessoas; afastada de áreas onde as pessoas possam passar ou sentar-se.
- Antes de proceder à instalação certifique-se que a área seleccionada pode suportar uma carga mínima de 10 vezes o peso da unidade.
- Na instalação, utilize sempre um cabo de segurança aprovado com capacidade para suportar 12 vezes o peso da unidade. Esta medida de segurança secundária deverá ser instalada de forma a que nenhuma parte da instalação possa cair mais de 20 cm caso o ponto de apoio principal ceda.

- A unidade deverá ser fixa firmemente. Uma instalação oscilante pode ser perigosa e não deverá ser efectuada!
- Não cubra os orifícios de ventilação ou a unidade poderá sobreaquecer.
- O utilizador da unidade deverá certificar-se que a instalação é aprovada em termos de segurança e em termos técnicos por uma pessoa qualificada antes de efectuar a primeira utilização. A instalação deverá ser inspeccionada todos os anos por um técnico qualificado de forma a certificar-se que a segurança está assegurada.

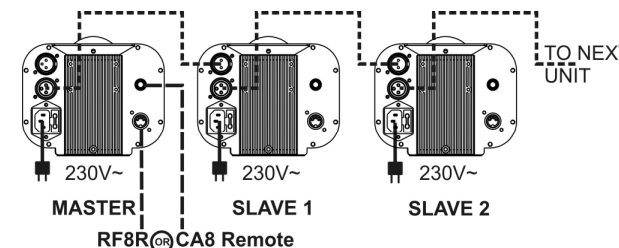
FUNCIONAMENTO DO LED MICRO SCAN II

1. Standalone 1 unidade:

Ligue simplesmente a unidade à corrente e ponha música a tocar. A unidade irá começar a funcionar automaticamente ao ritmo da música.

2. Duas ou mais unidades em modo master/slave:

Ligue duas ou mais unidades em conjunto utilizando cabos de microfone balanceados XLR de boa qualidade. A unidade que não tiver qualquer cabo ligado à entrada irá funcionar como master; as restantes serão unidades slave.



Não se esqueça de configurar os endereços DMX da seguinte forma:

- **Unidade master:** o endereço DMX inicial tem OBRIGATORIAMENTE de ser definido como 001. (primeiro interruptor = ON, os restantes = OFF)
 - **Unidades slave:** endereço DMX inicial poderá ter qualquer valor EXCEPTO 001 (exemplo: coloque o os primeiros 3 interruptores na posição ON)
- É possível inverter o funcionamento de uma unidade slave alterando a posição do interruptor nº10. Experimente e veja o efeito. Mudar a posição do interruptor DIP-switch nº10 na unidade master não provocará qualquer alteração.

3. Ligue o controlador opcional CA-8 ou RF-8SET para obter controlo adicional:

O controlador CA-8 ou RF-8SET só pode ser utilizado em modo standalone ou master/slave.

- **Comando com fio CA-8:** Ligue o controlador à entrada jack da primeira unidade (master).
- **RF-8SET comando sem fio:** o comando sem fio tem 2 partes:
 - **RF-8T:** pequeno transmissor RF que pode controlar até 5 efeitos.
 - **RF-8R:** pequeno receptor RF que deverá ser conectado através da entrada de 5 pinos do LED MICRO SCAN II. Ver o manual de instalação do receptor para mais informação.

Em seguida poderá controlar todas as unidades ligadas

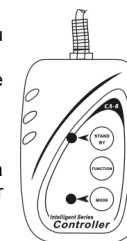
• BOTÃO STANDBY:

Pressione este botão para activar/desactivar o modo blackout em todas as unidades ligadas. O LED está aceso quando a função está activa. Após cerca de 30 segundos em modo blackout, a lâmpada será desligada automaticamente de forma a prolongar a sua duração.

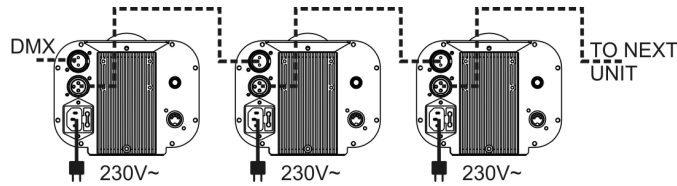
• BOTÕES MODE/FUNCTION:

Com o botão MODE é possível seleccionar 3 modos diferentes:

- **LED apagado:** Com o botão FUNCTION poderá seleccionar 3 funções de strobe diferentes.
- **O LED aceso:** com o botão FUNCTION poderá seleccionar diferentes Show.
- **LED está a piscar:** Com o botão FUNCTION poderá seleccionar o gobo/a cor pretendida.



4. Controlo através de controlador universal DMX:



O protocolo DMX é um sinal de alta velocidade amplamente utilizado para controlar equipamento de luz inteligente. É necessário ligar o controlador DMX e todos os efeitos luminosos em cadeia utilizando cabo balanceado XLR M/F de boa qualidade. De forma a evitar que os efeitos luminosos tenham um comportamento estranho devido a interferências, deverá utilizar um terminal de 90Ω a 120Ω no final da cadeia. Nunca utilize seccionadores de cabo em Y, essa solução não irá funcionar!

Cada efeito luminoso na cadeia tem de ter o seu próprio endereço inicial DMX de forma a poder descodificar os comandos do controlador a ela destinados.

• Como configurar os interruptores DIPswitch de forma a obter os endereços iniciais correctos:

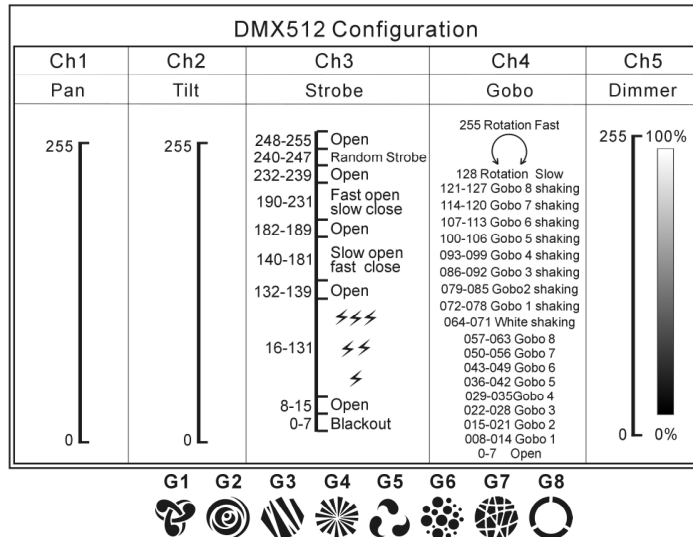
No painel traseiro do LED MICRO SCAN II poderá ver que cada um dos primeiros 9 interruptores corresponde a um certo valor (value):

Dip	#1	#2	#3	#4	#5	#6	#7	#8	#9	#10
Value	1	2	4	8	16	32	64	128	256	Inverter slave

Poderá combinar os valores destes interruptores DIPswitch de forma a obter qualquer endereço inicial entre 1 e 512:

- Endereço inicial = 01 → switch 1=ON valores: 1
- Endereço inicial = 05 → switch 1+3=ON valores: 1+4 = 5
- Endereço inicial = 09 → switch 1+4=ON valores: 1+8 = 9
- Endereço inicial = 13 → switch 1+3+4=ON valores: 1+4+8 = 13
- Endereço inicial = 62 → switch 2+3+4+5+6=ON valores: 2+4+8+16+32 = 62

• CONFIGURAÇÃO DMX DO LED MICRO SCAN II:



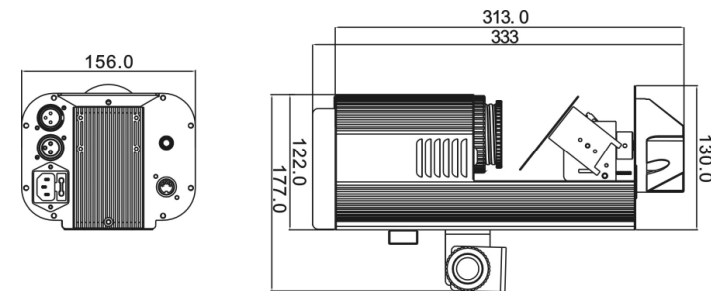
MANUTENÇÃO

- Certifique-se que sob a área de instalação da unidade não irão passar pessoas durante a manutenção.
- Desligue o cabo de alimentação da corrente e aguarde que a unidade arrefeça.
- Durante a inspeção deverá verificar os seguintes pontos:
- Todos os parafusos utilizados nas peças da unidade e na instalação deverão estar apertados firmemente e não poderão estar corroídos.
- A cobertura da unidade, os pontos de fixação e as áreas de instalação (tecto, armação, etc.) não deverão apresentar qualquer deformação.
- Caso uma lente apresente danos visíveis como fendas ou riscos profundos, deverá ser substituída imediatamente.
- O cabo de alimentação deverá estar em perfeitas condições e deverá ser substituído assim que for detectado o mais pequeno dano.
- As ventoinhas de arrefecimento (caso existam) e os orifícios de ventilação deverão ser limpos todos os meses.
- Utilize um aspirador ou um compressor de ar para limpar o interior da unidade uma vez por ano.
- De forma a otimizar a projecção de luz, limpe as lentes ópticas internas e externas e/ou espelhos periodicamente. A regularidade das limpezas depende do ambiente em que está instalada a unidade: um ambiente húmido, com fumo ou poeiras dará origem a uma maior acumulação de impurezas nas ópticas da unidade.
 - Utilize um pano macio e um limpa-vidros normal na limpeza da unidade.
 - Seque sempre as peças cuidadosamente.
 - Limpe as ópticas externas pelo menos uma vez em cada 30 dias.
 - Limpe as ópticas internas pelo menos uma vez em cada 90 dias.

Atenção: Recomendamos vivamente que a limpeza do interior da unidade seja efectuada por pessoal qualificado!

ESPECIFICAÇÕES

- Fonte de Alimentação: AC 100 ~ 240V, 50/60Hz
- Fusível: 250V 2A fusão rápida (20mm vidro)
- Controlo de som: Microfone interno
- Ligações DMX: 3pin XLR macho / fêmea
- Canais DMX: 5
- Lâmpada: CREE 10W LED Branco
- Dimensões: 333 x 156 x 177mm (ver desenho)
- Peso: 3kg



Estas informações estão sujeitas a alterações sem aviso prévio
 Pode fazer download da versão mais recente deste manual no nosso site: www.beglec.com