

PHAETON



Operation Manual EN
Mode d'emploi FR
Gebruiksaanwijzing NL
Bedienungsanleitung DE
Manual de instrucciones ES
Manual do utilizador PT

WWW.BEGLEC.COM

Copyright © 2010 by BEGLEC NV
t Hofveld 2C ~ B1702 Groot-Bijgaarden ~ Belgium

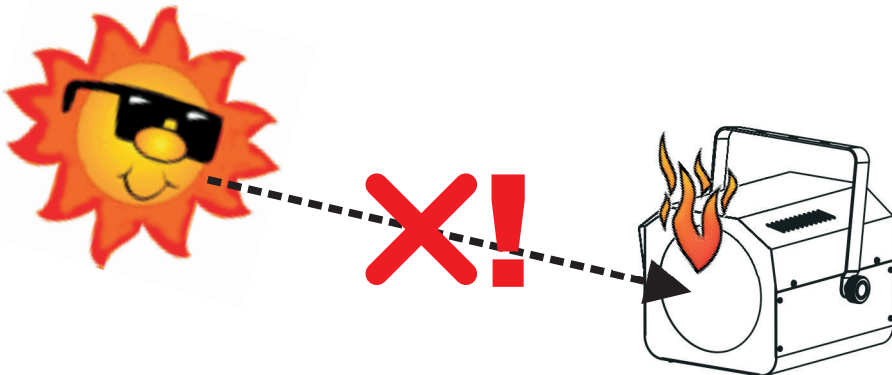
Reproduction or publication of the content in any manner, without express permission of the publisher, is prohibited.



Version: 1.1



DANGER ~ GEVAAR ~ GEFAHR ~ PELIGRO ~ PERIGO



WARNING: DANGER! never expose the lens to direct sunlight, even for a short period. This may damage the light effect or even cause fire!

ATTENTION: DANGER! n'exposez jamais la lentille directement aux rayons de soleil, même pendant un bref instant. Ceci peut endommager l'intérieur de l'appareil ou même causer un incendie !

OPGELET : GEVAAR ! stel de lens nooit bloot aan direct zonlicht, zelfs gedurende een korte periode. Dit kan het toestel beschadigen en zelfs brand veroorzaken!

WARNUNG: GEFAHR! Setzen sie die Linse niemals direkter Sonneneinstrahlung aus, auch nicht für eine kurze Zeit ! Die direkte Sonneneinstrahlung kann das Gerät zerstören oder zum brennen bringen!

ADVERTENCIA: ¡PELIGRO! ¡nunca exponga la lente a la luz solar directa, aún durante un período corto! ¡Esto puede dañar el efecto de luz o incluso causar el fuego!

AVISO: PERIGO! Nunca exponha as lentes directamente à luz solar, mesmo que por pouco tempo! Isto pode danificar o efeito luminoso ou mesmo provocar um incêndio!

EN - DISPOSAL OF THE DEVICE

Dispose of the unit and used batteries in an environment friendly manner according to your country regulations.

FR - DÉCLASSER L'APPAREIL

Débarrassez-vous de l'appareil et des piles usagées de manière écologique, conformément aux dispositions légales de votre pays.

NL - VERWIJDEREN VAN HET APPARAAT

Verwijder het toestel en de gebruikte batterijen op een milieuvriendelijke manier conform de in uw land geldende voorschriften.

DU - ENTSORGUNG DES GERÄTS

Entsorgen Sie das Gerät und die Batterien auf umweltfreundliche Art und Weise gemäß den Vorschriften Ihres Landes.

ES - DESHACERSE DEL APARATO

Reciclar el aparato y pilas usadas de forma ecologica conforme a las disposiciones legales de su país.

PT - COMO DESFAZER-SE DA UNIDADE

Tente reciclar a unidade e as pilhas usadas respeitando o ambiente e em conformidade com as normas vigentes no seu país.



OPERATION MANUAL

Thank you for buying this JB Systems® product. To take full advantage of all possibilities and for your own safety, please read these operating instructions very carefully before you start using this unit.

FEATURES

This unit is radio-interference suppressed. This product meets the requirements of the current European and national guidelines. Conformity has been established and the relevant statements and documents have been deposited by the manufacturer.

- This device has been designed to produce decorative effect lighting and is used in light show systems.
- A wonderful light effect that creates tons of colored circular patterns, all moving to the beat of the music!
- Contains a total of 60 lenses with different colors.
- Works in standalone mode with internal microphone
- Optional CA-8 hand controller available for extra functions in standalone and master/slave modes
- Can be linked in master/slave mode to create nicely synchronized circular Patterns !
- Can be programmed by any standard DMX-controller:
 - CH1: rotation speed + direction
 - CH2: lamp ON/OFF + Strobe
- Uses a circular 800W 240V lamp to create wonderful patterns
- Perfect for clubs, pubs, mobile DJ's, ...

BEFORE USE

- Before you start using this unit, please check if there's no transportation damage. Should there be any, do not use the device and consult your dealer first.
- **Important:** This device left our factory in perfect condition and well packaged. It is absolutely necessary for the user to strictly follow the safety instructions and warnings in this user manual. Any damage caused by mishandling is not subject to warranty. The dealer will not accept responsibility for any resulting defects or problems caused by disregarding this user manual.
- Keep this booklet in a safe place for future consultation. If you sell the fixture, be sure to add this user manual.

Check the contents:

Check that the carton contains the following items:

- Operating instructions
- PHAETON light effect
- Circular HX185 800W 240V lamp

SAFETY INSTRUCTIONS:



CAUTION
RISK OF ELECTRIC SHOCK
DO NOT OPEN



CAUTION: To reduce the risk of electric shock, do not remove the top cover. No user-serviceable parts inside. Refer servicing to qualified service personnel only.



The lightning flash with arrowhead symbol within the equilateral triangle is intended to alert the user or the presence of un-insulated "dangerous voltage" within the product's enclosure that may be of sufficient magnitude to constitute a risk of electric shock.



The exclamation point within the equilateral triangle is intended to alert the user to the presence of important operation and maintenance (servicing) instructions in the literature accompanying this appliance.



This symbol means: indoor use only.



This symbol means: Read instructions.



This symbol determines: the minimum distance from lighted objects. The minimum distance between light-output and the illuminated surface must be more than 1 meters.

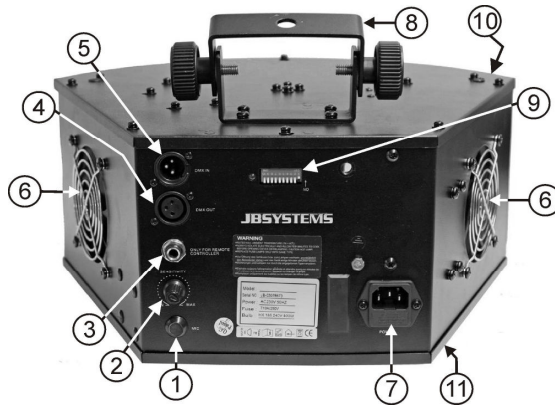
- To protect the environment, please try to recycle the packing material as much as possible.

- A new light effect sometimes causes some unwanted smoke and/or smell. This is normal and disappears after some minutes.
- To prevent fire or shock hazard, do not expose this appliance to rain or moisture.
- To avoid condensation to be formed inside, allow the unit to adapt to the surrounding temperatures when bringing it into a warm room after transport. Condensation sometimes prevents the unit from working at full performance or may even cause damages.
- This unit is for indoor use only.
- Don't place metal objects or spill liquid inside the unit. Electric shock or malfunction may result. If a foreign object enters the unit, immediately disconnect the mains power.
- Locate the fixture in a well ventilated spot, away from any flammable materials and/or liquids. The fixture must be fixed at least 50cm from surrounding walls.
- Don't cover any ventilation openings as this may result in overheating.
- Prevent use in dusty environments and clean the unit regularly.
- Keep the unit away from children.
- Inexperienced persons should not operate this device.
- Maximum save ambient temperature is 40°C. Don't use this unit at higher ambient temperatures.
- The units' surface temperature may reach up to 85°C. Don't touch the housing with bare hands during its operation.
- Make sure the area below the installation place is free from unwanted persons during rigging, de-rigging and servicing.
- Allow the device about 15 minutes to cool down before replacing the bulb or start servicing.
- Always unplug the unit when it is not used for a longer time or before replacing the bulb or start servicing.
- The electrical installation should be carried out by qualified personal only, according to the regulations for electrical and mechanical safety in your country.
- Check that the available voltage is not higher than the one stated on the rear panel of the unit.
- The power cord should always be in perfect condition. Switch the unit immediately off when the power cord is squashed or damaged. It must be replaced by the manufacturer, its service agent or similarly qualified persons in order to avoid a hazard.
- Never let the power-cord come into contact with other cables!
- This fixture must be earthed to in order comply with safety regulations.
- Don't connect the unit to any dimmer pack.
- Always use an appropriate and certified safety cable when installing the unit.
- In order to prevent electric shock, do not open the cover. Apart from the lamp and mains fuse there are no user serviceable parts inside.
- **Never** repair a fuse or bypass the fuse holder. **Always** replace a damaged fuse with a fuse of the same type and electrical specifications!
- In the event of serious operating problems, stop using the fixture and contact your dealer immediately.
- The housing and the lenses must be replaced if they are visibly damaged.
- Please use the original packing when the device is to be transported.
- **Due to safety reasons it is prohibited to make unauthorized modifications to the unit.**

Important: Never look directly into the light source! Don't use the effect in the presence of persons suffering from epilepsy.

DESCRIPTION:

1. Internal microphone
2. Microphone sensitivity
3. 1/4" Jack input for the optional CA-8 hand controller
4. DMX input
5. DMX output
6. Cooling fan
7. Mains input with IEC socket and integrated fuse holder, connect the supplied mains cable here.
8. Hanging bracket with 2 knobs on both sides to fasten the unit and a mounting hole to fix a mounting hook.
9. DIP switches, used to set the DMX-starting address of the unit.
10. 60 optical lenses on the front part of the unit.
11. Lamp compartment

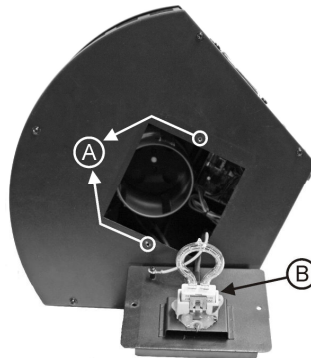


LAMP (RE)PLACEMENT



In case of replacement of the lamp or maintenance, do not open the fixture within 15 minutes until the unit cools down after switching off. Always unplug the unit before servicing! Always use the same type of spare parts (bulbs, fuses, etc.) When replacing parts, please only genuine spare parts.

- Switch off the unit and unplug the mains cable.
- Wait for about 15 minutes until the unit has been cooled down.
- Use a screwdriver to unscrew the 2 screws that close the lamp compartment of the fixture (see "A" on the picture).
- On the inside you will see the lamp socket. Tear the lamp socket gently out of the lamp compartment.
- Unplug the old lamp. Hold the lamp socket while unplugging the lamp instead of pulling the cable!
- Hold the lamp socket while pressing the new lamp gently in the socket.



- Attention!** This unit uses a special circular lamp! Check the label on the backside of the device or see the technical specifications in this manual to know which lamp should be used. Never install lamps with a higher wattage! Lamps with higher wattage generate temperatures the device was not designed for. If the device uses a lamp transformer, it will burn due to current overload.
- Don't touch the bulb with bare hands! This drastically shortens the lifespan of the lamp. If you touched the lamp, clean it with a cloth and a little denatured alcohol. Wipe the lamp off before installing.
 - Put the new lamp back inside the unit. Be sure that the wires don't touch the lamp.
 - Close the lamp compartment with the 2 screws.
 - Done!

OVERHEAD RIGGING

- **Important:** The installation must be carried out by qualified service personal only. Improper installation can result in serious injuries and/or damage to property. Overhead rigging requires extensive experience! Working load limits should be respected, certified installation materials should be used, the installed device should be inspected regularly for safety.
- Make sure the area below the installation place is free from unwanted persons during rigging, de-rigging and servicing.
- Locate the fixture in a well ventilated spot, far away from any flammable materials and/or liquids. The fixture must be fixed at least 50cm from surrounding walls.

- The device should be installed out of reach of people and outside areas where persons may walk by or be seated.
- Before rigging make sure that the installation area can hold a minimum point load of 10times the device's weight.
- Always use a certified safety cable that can hold 12times the weight of the device when installing the unit. This secondary safety attachment should be installed in a way that no part of the installation can drop more than 20cm if the main attachment fails.
- The device should be well fixed; a free-swinging mounting is dangerous and may not be considered!
- Don't cover any ventilation openings as this may result in overheating.
- The operator has to make sure that the safety-relating and machine-technical installations are approved by an expert before using them for the first time. The installations should be inspected every year by a skilled person to be sure that safety is still optimal.

OPERATING INSTRUCTIONS

- Once connected to the mains the device starts running.
- Regular breaks during operation are essential to maximize the life of this device as it is not designed for continual use.
- Do not switch the unit on and off in short time intervals as this reduces the lamp life.
- The units' surface temperature may reach up to 85°C. Don't touch the housing with bare-hands during its operation.
- Always unplug the unit when it is not used for a longer time or before replacing the bulb or start servicing.
- In the event of serious operating problems, stop using the fixture and contact your dealer immediately.
- **Important:** Never look directly into the light source! Don't use the effect in the presence of persons suffering from epilepsy.

1. Standalone 1unit:

Important: the DMX address MUST be set to 001. (first DIP switch = ON, all other are OFF) Now connect the unit to the mains and put on some music. The unit will start working automatically to the rhythm of the music.

2. Two or more units in master/slave setup:

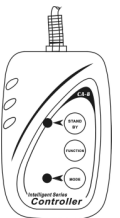
Connect 2 or more units together using good quality balanced XLR microphone cables. The unit that has no cable connected to its input will react as master, the others are the slave units.

Important: On the master unit the DMX address MUST be set to 001. (first DIP switch = ON, all other are OFF) **The slave units can have any DMX address value but NOT 001!**

You can inverse the behavior of one or more slave units by changing the position of DIP-switch n°10 on these slaves. Just try it and see if the effect becomes better. Changing DIP-switch n°10 on the master has no effect.

3. Connect the optional CA-8 controller for more control:

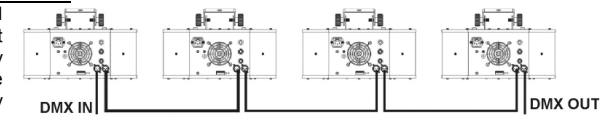
The CA-8 controller can only be used in standalone or master/slave mode. Connect the controller to the jack input of the first unit (master). Now you can control all the connected units:



Stand by	Blackout the unit	
Function	1. Strobe in sync 2. Strobe in 2-light show	1.Slow/middle/fast speed clockwise rotation 2.Slow/middle/fast speed counterclockwise rotation
Mode	Sound (LED OFF)	Slow ~ no sound (LED ON)

4. Controlled by universal DMX-controller:

The DMX-protocol is a widely used high speed signal to control intelligent light equipment. You need to "daisy chain" your DMX controller and all the connected units with a good quality balanced cable.



To prevent strange behavior of the light effects, due to interferences, you must use a 90Ω to 120Ω terminator at the end of the chain. Never use Y-splitter cables, this simply won't work!



Make sure that all units are connected to the mains.
Each light effect in the chain needs to have its proper starting address so it knows which commands from the controller it has to decode. In the next section you will learn how to set the DMX addresses.

• How to set the DIP-switches to obtain the right starting address:

On the back of the Phaeton you will see that each of the first 9 DIP-switches corresponds to certain value:

Dip	#1	#2	#3	#4	#5	#6	#7	#8	#9
Value	1	2	4	8	16	32	64	128	256

You can combine the values of these switches to become any starting address between 1 and 512:

- Begin address = 01 → switch 1=ON values: 1
- Begin address = 05 → switch 1+3=ON values: 1+4 = 5
- Begin address = 09 → switch 1+4=ON values: 1+8 = 9
- Begin address = 13 → switch 1+3+4=ON values: 1+4+8 = 13
- ...
- Begin address = 62 → switch 2+3+4+5+6=ON values: 2+4+8+16+32 = 62

• DMX-CONFIGURATION :

DMX512 Configuration	
Ch1	Ch2
Rotation	Lamp On/Off/Strobe
<p>192-255</p> <p>Fast</p> <p>Slow</p> <p>128-191</p> <p>Slow</p> <p>Fast</p> <p>0-127</p> <p>Index 360°</p> <p>Index 0°</p>	<p>248-255 Lamp ON</p> <p>Fast speed strobe</p> <p>16-247</p> <p>Slow speed strobe</p> <p>8-15 Lamp ON</p> <p>0-7 Lamp OFF</p>

MAINTENANCE

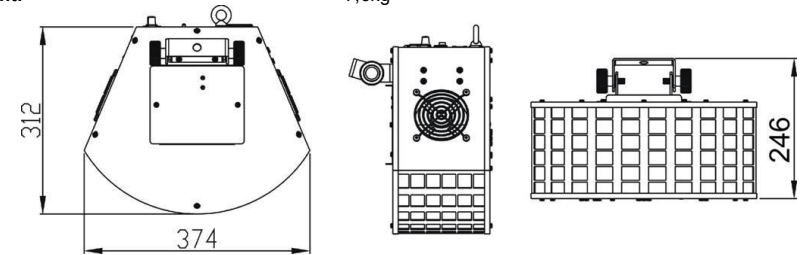
- Make sure the area below the installation place is free from unwanted persons during servicing.
- Switch off the unit, unplug the mains cable and wait until the unit has been cooled down.
- During inspection the following points should be checked:**
- All screws used for installing the device and any of its parts should be tightly fastened and may not be corroded.
- Housings, fixations and installations spots (ceiling, truss, suspensions) should be totally free from any deformation.
- When an optical lens is visibly damaged due to cracks or deep scratches, it must be replaced.
- The mains cables must be in impeccable condition and should be replaced immediately when even a small problem is detected.
- In order to protect the device from overheat the cooling fans (if any) and ventilation openings should be cleaned monthly.
- The interior of the device should be cleaned annually using a vacuum cleaner or air-jet.
- The cleaning of internal and external optical lenses and/or mirrors must be carried out periodically to optimize light output. Cleaning frequency depends on the environment in which the fixture operates: damp, smoky or particularly dirty surroundings can cause greater accumulation of dirt on the unit's optics.
 - Clean with a soft cloth using normal glass cleaning products.

- Always dry the parts carefully.
- Clean the external optics at least once every 30 days.
- Clean the internal optics at least every 90 days.

Attention: We strongly recommend internal cleaning to be carried out by qualified personnel!

SPECIFICATIONS

- Mains Input:** AC 230V, 50Hz
- Fuse:** 250V 10A slow blow (20mm glass)
- Sound Control:** Internal microphone
- DMX connections:** 3pin XLR male / female
- Lamp:** Circular HX185 800W/240V
- Size:** 374 x 312 x 246 mm
- Weight:** 7,6kg



Every information is subject to change without prior notice
You can download the latest version of this user manual on our website: www.beglec.com

MODE D'EMPLOI

Merci d'avoir choisi ce produit JB Systems®. Pour votre sécurité et pour une utilisation optimale de toutes les possibilités de l'appareil, lisez attentivement cette notice avant utilisation.

EN VOUS INSCRIVANT POUR LA LETTRE D'INFORMATION VOUS SEREZ TOUJOURS TENU AU COURANT DES DERNIERES NOUVELLES CONCERNANT NOS PRODUITS: NOUVEAUTES, ACTIONS SPECIALES, JOURNEES PORTES OUVERTES, ETC.
→ SURFEZ SUR: WWW.BEGLEC.COM ←

CARACTERISTIQUES

Cet appareil ne produit pas d'interférences radio. Il répond aux exigences nationales et européennes. La conformité a été établie et les déclarations et documents correspondants ont été déposés par le fabricant.

- Cet appareil a été conçu pour la production de jeux de lumières décoratifs et est utilisé dans des spectacles lumineux.
- Voici un splendide jeu de lumière : il est à même de créer une infinité de motifs colorés de forme circulaire qui se déplacent au rythme de la musique !
- L'appareil contient au total 60 lentilles de différentes couleurs.
- Il fonctionne en toute indépendance grâce à son micro interne
- Le contrôleur manuel CA-8 est disponible en option pour proposer des fonctions supplémentaires, selon le mode choisi (mode autonome ou mode maître/esclave)
- L'appareil peut être raccordé en mode maître/esclave afin de créer des motifs circulaires parfaitement synchronisés !
- Il peut être programmé via n'importe quel contrôleur DMX standard :
 - Canal 1 : vitesse et direction de la rotation
 - Canal 2 : lampe en/hors service et stroboscope
- C'est grâce à une lampe de forme circulaire (800W - 240V) que l'appareil est à même de créer ces magnifiques motifs.
- Il est parfait pour être utilisé dans les clubs, les cafés, par les discothèques mobiles, etc ...

AVANT UTILISATION

- Avant d'utiliser cet appareil, assurez-vous de l'absence de dommages liés au transport. En cas de dommages, n'utilisez pas l'appareil et contactez le vendeur.
- **Important:** Cet appareil a quitté notre usine en parfaite condition et bien emballé. Il est primordial que l'utilisateur suive les instructions de sécurité et avertissements inclus dans ce manuel. La garantie ne s'applique pas en cas de dommage lié à une utilisation incorrecte. Le vendeur ne prend pas la responsabilité des défauts ou de tout problème résultant du fait de n'avoir pas tenu compte des mises en garde de ce manuel.
- Conservez ce manuel dans un endroit sûr pour toute consultation future. Si vous vendez l'appareil, assurez-vous d'y joindre ce manuel également.
- Afin de protéger l'environnement, merci de recycler les emballages autant que possible.

Vérifiez le contenu:

Vérifiez si l'emballage contient bien les articles suivants:

- Appareil PHAETON
- Mode d'emploi

INSTRUCTIONS DE SECURITE:



CAUTION
RISK OF ELECTRIC SHOCK
DO NOT OPEN



ATTENTION: afin de réduire le risque d'électrocution, n'enlevez jamais le couvercle de l'appareil. Il n'y a aucune pièce à l'intérieur de l'appareil que vous puissiez remplacer vous-même. Confiez l'entretien uniquement à des techniciens qualifiés.



La flèche dans un triangle met l'utilisateur en garde contre la présence de haute tension sans isolation dans l'appareil, ce qui peut causer un risque d'électrocution.



Un point d'exclamation dans un triangle prévient de la présence d'instructions relatives au fonctionnement et à la maintenance se trouvant dans le manuel fourni avec l'appareil.



Ce symbole signifie: uniquement pour usage à l'intérieur.



Ce symbole signifie : Lire le mode d'emploi.



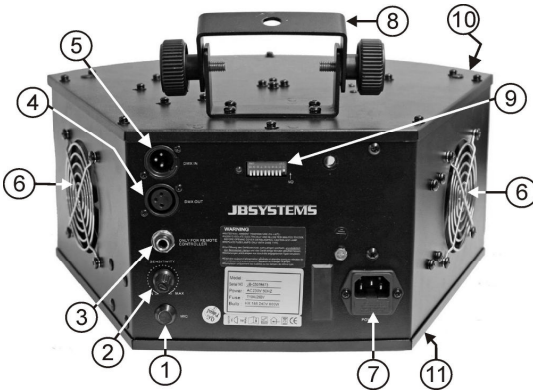
Ce symbole représente la distance de recul minimum à respecter, c'est-à-dire, la distance minimum entre le projecteur et la surface à éclairer. Cette distance doit être de plus de 1 mètre.

- Afin de protéger l'environnement, merci de recycler les emballages autant que possible.
- Un effet lumière neuf peut provoquer de la fumée et/ou une odeur non souhaitée, qui devrait disparaître après quelques minutes.
- Afin d'éviter tout risque d'incendie ou de décharge électrique, ne pas exposer cet appareil à la pluie ou à l'humidité.
- Pour éviter la formation de condensation à l'intérieur de l'appareil, patientez quelques minutes pour laisser l'appareil s'adapter à la température ambiante lorsqu'il arrive dans une pièce chauffée après le transport. La condensation empêche l'appareil de fonctionner manière optimale, et elle peut même causer des dommages.
- Cet appareil est destiné à une utilisation à l'intérieur uniquement.
- Ne pas insérer d'objet métallique ou renverser de liquide dans l'appareil. Aucun objet contenant un liquide, tels que des vases, ne peut être placé sur cet appareil. Cela risquerait de provoquer une décharge électrique ou un dysfonctionnement. Si un corps étranger est introduit dans l'appareil, déconnectez immédiatement de la source d'alimentation.
- Aucune source de flamme nue, telle que des bougies allumées, ne peut être placée sur l'appareil.
- Placez l'appareil dans un endroit bien ventilé, éloigné de tout matériau ou liquide inflammable. L'appareil doit être fixé à 50cm minimum des murs.
- Ne pas couvrir les orifices de ventilation, un risque de surchauffe en résulterait.
- Ne pas utiliser l'appareil dans un environnement poussiéreux et le nettoyer régulièrement.
- Ne pas laisser l'appareil à portée des enfants.
- Les personnes non expérimentées ne doivent pas utiliser cet appareil.
- La température ambiante maximale d'utilisation de l'appareil est de 45°C. Ne pas l'utiliser au-delà de cette température.
- La température des parois de l'appareil peut atteindre 85°C. Ne pas toucher ces parois à mains nues en cours de fonctionnement.
- Assurez-vous que la zone au-dessous du lieu d'installation ne comporte pas de personnes non concernées pendant le montage, le démontage et les opérations de maintenance.
- Laissez l'appareil refroidir environ 15 minutes avant de remplacer l'ampoule ou d'effectuer des réparations.
- Débranchez toujours l'appareil si vous ne l'utilisez pas de manière prolongée avant de changer une ampoule ou d'entreprendre des réparations.
- Les installations électriques ne peuvent être faites que par du personnel qualifié et conformément aux règlements de sécurité électrique et mécanique en vigueur dans votre pays.
- Assurez-vous que la tension d'alimentation de la source d'alimentation de la zone dans laquelle vous vous trouvez ne dépasse pas celle indiquée à l'arrière de l'appareil.
- Le cordon d'alimentation doit toujours être en parfait état. Mettez immédiatement l'unité hors tension si le cordon devait être écrasé ou endommagé. Pour éviter tout risque de choc électrique, le cordon doit être remplacé par le constructeur, son agent ou un technicien qualifié.
- Ne laissez jamais le cordon d'alimentation entrer en contact avec d'autres câbles !
- L'appareil doit être à la masse selon les règles de sécurité.
- Ne pas connecter l'unité à un variateur de lumière.
- Utilisez toujours des câbles appropriés et certifiés lorsque vous installez l'appareil.
- Pour éviter toute décharge électrique, ne pas ouvrir l'appareil. En dehors des ampoules et du fusible principal, il n'y a pas de pièces pouvant être changées par l'utilisateur à l'intérieur.
- **Ne jamais** réparer ou court-circuiter un fusible. Remplacez **systématiquement** un fusible endommagé par un fusible de même type et ayant les mêmes spécifications électriques !
- En cas de problèmes de fonctionnement sérieux, arrêtez toute utilisation de l'appareil et contactez votre revendeur immédiatement.
- La carrosserie et les lentilles doivent être remplacées si elles sont visiblement endommagées.
- Utilisez l'emballage d'origine si l'appareil doit être transporté.
- Pour des raisons de sécurité, il est interdit d'apporter une quelconque modification à l'unité non spécifiquement autorisée par les parties responsables.

Important: Ne jamais fixer directement la source de lumière ! Ne pas utiliser d'effets en présence de personnes souffrant d'épilepsie.

DESCRIPTION

1. Microphone interne
2. Sensibilité du micro
3. Prise ¼" utilisée pour connecter le contrôleur CA-8 optionnel
4. Connecteur d'entrée DMX
5. Connecteur de sortie DMX
6. Ventilateur de refroidissement
7. Entrée de l'alimentation secteur, avec prise IEC et fusible incorporé. Connectez les câbles d'alimentation fournis à cette prise.
8. Attelle de support : dotée d'une poignée sur chaque côté pour accrocher et orienter l'appareil, et dotée aussi d'un trou de fixation pour y monter un système de fixation.
9. Switchs DIP utilisés pour régler l'adresse DMX de départ de l'appareil.
10. 60 lentilles optiques placées à l'avant de l'appareil.
11. Compartiment de la lampe

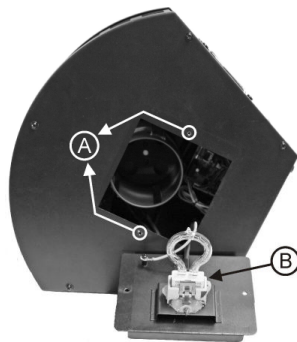


MISE EN PLACE / REMPLACEMENT DES AMPOULES



En cas d'opération de maintenance ou de remplacement des ampoules, ne pas ouvrir l'installation dans les 10 minutes suivant la fin de l'utilisation, jusqu'à ce que l'appareil ait refroidi. Débranchez systématiquement l'appareil avant toute opération de maintenance. Utilisez toujours le même type de pièces (ampoules, fusibles, etc.) Lors du remplacement, n'utilisez que des pièces d'origine.

- Mettez l'unité hors tension et débranchez le câble d'alimentation.
 - Attendez environ 15 minutes, jusqu'à ce que l'unité ait refroidi.
 - Munissez vous d'un tournevis pour dévisser les 2 vis qui ferment le compartiment de la lampe de l'appareil (voir la lettre 'A' sur la figure ci-contre).
 - A l'intérieur, la douille est à présent accessible. Sortez-la délicatement du compartiment à ampoules.
 - Sortez l'ampoule usagée. Maintenez la douille pendant l'opération, plutôt que de tirer sur le câble!
 - Maintenez également la douille lorsque vous mettez la nouvelle ampoule en place.
- Attention! Cet appareil utilise une lampe spéciale, de forme circulaire !** Reportez-vous à l'étiquette à l'arrière de l'appareil ou aux spécifications techniques de ce manuel pour savoir quelle ampoule utiliser. Ne jamais installer d'ampoules à puissance plus élevée! De telles ampoules produisent des températures supérieures à celles pour lesquelles l'appareil a été conçu. Si l'appareil utilise un transformateur, il brûlera en raison de la surcharge induite.
- Ne pas toucher l'ampoule à mains nues! Cela réduirait énormément le cycle de vie de la lampe. Si vous l'avez touchée, nettoyez-la avec un linge et un peu d'alcool dénaturé. Essayez l'ampoule avant de l'installer.
 - Insérez la nouvelle ampoule à l'intérieur de l'appareil. Assurez-vous que les fils ne touchent pas l'ampoule.
 - Refermez le compartiment de la lampe au moyen des deux vis.
 - Et voilà!



INSTALLATION EN HAUTEUR

- **Important:** L'installation doit être faite par du personnel qualifié uniquement. Une installation incorrecte peut causer des blessures sévères et/ou endommager l'appareil. L'installation en hauteur exige de l'expérience ! Les limites de charge doivent être scrupuleusement respectées, du matériel d'installation certifié doit être utilisé, et l'appareil installé doit subir des inspections de sécurité régulièrement.
- Assurez-vous que la zone au-dessous du lieu d'installation ne comporte pas de personnes non concernées lors de l'installation, la désinstallation ou la maintenance.
- Placez l'appareil dans un endroit bien ventilé, éloigné de tout matériau ou liquide inflammable. L'appareil doit être fixé à **50cm minimum** des murs situés à proximité.
- L'appareil doit être hors de portée du public et en dehors des zones de passage de personnes ou des zones où le public est installé.
- Avant l'installation, assurez-vous que la zone d'installation pourra supporter, en son point de fixation, un minimum de 10 fois le poids de l'appareil.
- Utilisez systématiquement un câble de sécurité qui peut supporter 12 fois le poids de l'appareil lors de l'installation. Ce câble de sécurité secondaire doit être installé de manière à ce qu'aucune partie de l'appareil ne puisse descendre de plus de 20 cm si le support principal tombe.
- L'appareil doit être bien fixé, un montage à balancement est dangereux et ne devrait pas être pris en considération !
- Ne pas couvrir les orifices de ventilation pour éviter tout risque de surchauffe.
- L'utilisateur doit s'assurer que les installations techniques et de sécurité sont bien approuvées par un expert avant la première utilisation. Les installations doivent être inspectées chaque année par du personnel qualifié pour assurer une sécurité optimale.

INSTRUCTIONS D'UTILISATION

- Des pauses régulières dans l'utilisation sont primordiales pour maximiser la durée de vie de l'appareil, puisqu'il n'est pas conçu pour une utilisation continue.
- Ne pas mettre l'unité sous tension et hors tension à de faibles intervalles, cela réduit la durée de vie des ampoules.
- La surface de l'unité peut atteindre une température de 85°C. Ne pas toucher les parois à mains nues en cours de fonctionnement de l'appareil.
- Débranchez systématiquement l'appareil s'il n'est pas utilisé pour une période prolongée ou avant de changer une ampoule ou d'effectuer des opérations de maintenance.
- En cas de problèmes de fonctionnement sérieux, arrêtez toute utilisation de l'appareil et contactez votre revendeur immédiatement.
- **Important:** Ne jamais fixer directement la source de lumière ! Ne pas utiliser d'effets en présence de personnes souffrant d'épilepsie.

1. Un seul appareil, en mode autonome :

Important: l'adresse DMX DOIT être réglée sur 001. (premier interrupteur DIP = ON, tous les autres OFF) Connectez simplement l'appareil au secteur et mettez de la musique. L'appareil commencera à fonctionner automatiquement en suivant le rythme de la musique.

2. Deux appareils ou plus, en mode maître/esclave :

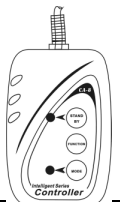
Connectez deux appareils ou plus entre eux. A cette fin, utilisez des câbles pour micros, de bonne qualité et pourvus de prises XLR symétriques. L'appareil qui n'a pas de câble raccordé à son entrée se comportera en 'master', les autres réagiront donc comme des appareils 'slaves'.

Important : sur l'appareil 'master', l'adresse DMX doit être réglée sur 001. (Premier switch DIP sur ON, tous les autres sur OFF). **Les appareils 'slaves' peuvent avoir n'importe quelle adresse DMX, sauf le 001 !**

On peut inverser les réactions d'un ou de plusieurs 'slaves' en changeant la position du switch DIP N° 10 sur les 'slaves' en question. Il suffit d'essayer et de voir si cela améliore l'effet. Si vous changez le switch DIP N° 10 sur le 'master', cela n'aura aucun effet.

3. Brancher le contrôleur CA-8 en option pour plus de contrôle:

Le contrôleur CA-8 peut uniquement être utilisé en fonctionnement autonome ou en mode maître/esclave. Branchez le contrôleur sur l'entrée CA-8 du premier appareil (maître). Vous pouvez maintenant contrôler tous les appareils branchés:



Stand by	Pour mettre toutes les fonctions en attente	
Fonction	1. Effet strobo synchro 2. Show strobo à 2 sources	1. Vitesse lente, moyenne et rapide, avec rotation dans le sens des aiguilles d'une montre 2. Vitesse lente, moyenne et rapide, avec rotation dans le sens INVERSE des aiguilles d'une montre
Mode	Son 1 (LED OFF)	Mouvement lent ~ pas de son (LED ON)

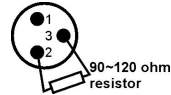
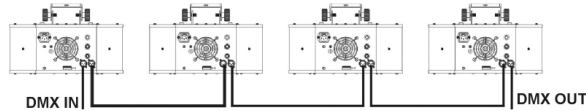
4. Contrôlé par un contrôleur DMX universel:

Le protocole DMX est un signal à haute vitesse très utilisé pour contrôler des équipements de lumières intelligents. Vous devez connecter en guirlande votre contrôleur DMX et tous les appareils avec un câble balancé de bonne qualité.

Pour éviter des comportements étranges des effets de lumières dus aux interférences, vous devez utiliser une résistance de bouclage de 90Ω à 120Ω au bout de la guirlande. Ne jamais utiliser de séparateur de câbles en forme « Y », cela ne fonctionnera pas!

Assurez-vous que les appareils sont tous branchés sur le secteur.

Chaque effet de lumière dans la guirlande doit avoir sa propre adresse de départ afin de savoir quelle est la commande du contrôleur il doit décoder. Dans la prochaine section, vous apprendrez à régler l'adresse DMX.



• Configurer les interrupteurs DIP pour obtenir l'adresse de démarrage correcte:

Sur la face arrière du Phaeton, vous verrez les interrupteurs DIP. Référez-vous au tableau ci-dessous pour comprendre la manière de programmer les adresses DMX :

DIP	#1	#2	#3	#4	#5	#6	#7	#8	#9
Valeur	1	2	4	8	16	32	64	128	256

Combinez ces valeurs pour obtenir des adresses de démarrage comprises entre 1 et 512:

Adresse = 01	→ DIP 1=ON	valeurs: 1
Adresse = 05	→ DIP 1+3=ON	valeurs: 1+4 = 5
Adresse = 09	→ DIP 1+4=ON	valeurs: 1+8 = 9
Adresse = 13	→ DIP 1+3+4=ON	valeurs: 1+4+8 = 13
...		
Adresse = 62	→ DIP 2+3+4+5+6=ON	valeurs: 2+4+8+16+32 = 62

• Configuration DMX

DMX512 Configuration	
Ch1	Ch2
Rotation	Lamp On/Off/Strobe
192-255 Fast Slow Slow Fast	248-255 Lamp ON Fast speed strobe ⚡⚡⚡
128-191 Slow Fast	16-247 ⚡⚡
0-127 Index 360° Index 0°	8-15 Slow speed strobe ⚡ Lamp ON 0-7 Lamp OFF

MAINTENANCE

- Assurez-vous que la zone au-dessous du lieu d'installation ne comporte pas de personnes non concernées lors de la maintenance
- Mettez l'appareil hors tension, débranchez le cordon d'alimentation et attendez que l'appareil ait refroidi.

Pendant l'inspection, les points suivants doivent être vérifiés :

- Toutes les vis utilisées pour l'installation de l'appareil ou de chacune de ses pièces doivent être bien fixées et non corrodées.
- Les niches, fixations et structures de support (plafond, poutres, suspensions) doivent être totalement intactes, sans aucune déformation.
- Lorsqu'une lentille optique est visiblement endommagée (fissure ou éraflures profondes), elle doit être remplacée.
- Les câbles doivent être en parfait état et doivent être remplacés immédiatement en cas de détection d'un problème, même bénin.
- Pour protéger l'appareil de toute surchauffe, les ventilateurs (le cas échéant) et les orifices de ventilation doivent être nettoyés tous les mois.
- L'intérieur de l'appareil doit être nettoyé chaque année à l'aide d'un aspirateur ou d'un pistolet à air.
- Le nettoyage des lentilles optiques internes et externes et/ou des miroirs doit être effectué périodiquement pour optimiser la production de lumière. La fréquence de nettoyage dépend de l'environnement dans lequel l'appareil fonctionne: des environnements humides, enfumés ou particulièrement sales peuvent entraîner une accumulation de saletés plus importante sur les parties optiques de l'appareil.
 - Nettoyez à l'aide d'un chiffon doux avec des produits de nettoyage pour verres normaux.
 - Séchez toujours les parties soigneusement.
 - Nettoyez les optiques externes au moins une fois tous les 30 jours.
 - Nettoyez les optiques internes au moins une fois tous les 90 jours.

Attention: Nous vous recommandons fortement de faire exécuter le nettoyage interne par du personnel qualifié !

SPECIFICATIONS

Alimentation:

CA 230V, 50Hz

Fusible:

250V/10A lente (20mm verre)

Contrôle du son:

microphone interne

Connexions DMX:

connecteurs XLR mâle / femelle à 3 broches

Ampoule:

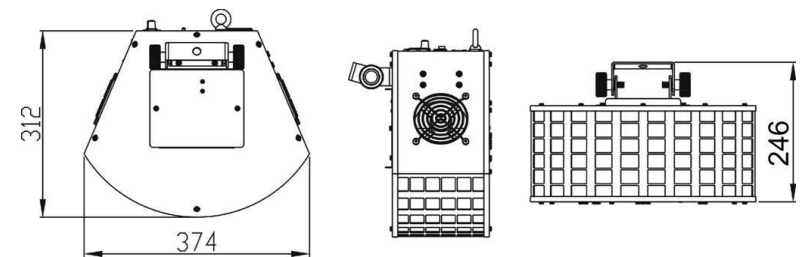
Modèle HX185, 800W - 240V, de forme circulaire

Dimensions:

374 x 312 x 246 mm

Poids:

7,6 kg



Chacune de ces informations peut être modifiée sans avertissement préalable. Vous pouvez télécharger la dernière version de ce mode d'emploi de notre site Web: www.beglec.com

GEBRUIKSAANWIJZING

Hartelijk dank voor de aankoop van dit JB Systems® product. Om ten volle te kunnen profiteren van alle mogelijkheden en voor uw eigen veiligheid, gelieve de aanwijzingen zeer zorgvuldig te lezen voor U begint het apparaat te gebruiken.

DOOR U OP ONZE MAILINGLIJST IN TE SCHRIJVEN ONTVANGT U STEEDS DE LAATSTE INFORMATIE OVER ONZE PRODUCTEN: NIEUWIGHEDEN, SPECIALE ACTIES, OPENDEURDAGEN, ENZ.
→ SURF NAAR: WWW.BEGLEC.COM ←

KARAKTERISTIEKEN

In dit apparaat is radio-interferentie onderdrukt. Dit product voldoet aan de gangbare Europese en nationale voorschriften. Het is vastgesteld dat het apparaat er zich aan houdt en de desbetreffende verklaringen en documenten zijn door de fabrikant afgegeven.

- Het toestel is ontworpen om decoratieve lichteffecten te produceren en kan eventueel worden gebruikt in lichtshows.
- Een schitterend lichteffect dat een enorme hoeveelheid gekleurde cirkelvormige patronen kan creëren, die allen bewegen volgens de beat van de muziek!
- Bevat in totaal 60 lenzen met verschillende kleuren.
- Werkt in een stand-alone modus met een interne microfoon
- De optionele CA-8 handcontroller is verkrijgbaar voor extra functies in stand-alone en master/slave modi
- Kan gelinked worden in een master/slave modus om mooie gesynchroniseerde cirkelvormige patronen te creëren
- Kan geprogrammeerd worden door elke standaard DMX-controller
 - CH1: rotatiesnelheid + richting
 - CH2: lamp AAN/UIT + Stroboscoop
- Gebruikt een cirkelvormige 800W 240V om prachtige patronen te creëren
- Perfect voor clubs, pubs, mobiele DJ's, ...

VOOR DE IN GEBRUIKNAME

Controleer voor het eerste gebruik van het apparaat of het tijdens het transport beschadigd werd. Mocht er schade zijn, gebruik het dan niet, maar raadpleeg eerst uw dealer.

Belangrijk: Dit apparaat verliet de fabriek in uitstekende staat en goed verpakt. Het is erg belangrijk dat de gebruiker de veiligheidsaanwijzingen en raadgevingen in deze gebruiksaanwijzing uiterst nauwkeurig volgt. Elke schade veroorzaakt door verkeerd gebruik van het apparaat valt niet onder de garantie. De dealer aanvaardt geen verantwoordelijkheid voor mankementen en problemen die komen door het veronachtzamen van deze gebruiksaanwijzing.

Bewaar deze brochure op een veilige plaats om hem in de toekomst nogmaals te kunnen raadplegen. Indien U het apparaat verkoopt, denkt U er wel aan om de gebruiksaanwijzing bij te voegen.

Controleer de inhoud:

Controleer of de doos volgende onderdelen bevat:

- Handleiding
- PHAETON lichteffect
- Cirkelvormige HX185 800W 240V lamp

VEILIGHEIDSVOORSCHRIFTEN:



CAUTION
 RISK OF ELECTRIC SHOCK
 DO NOT OPEN



WAARSCHUWING: Om het risico op elektrocutie zoveel mogelijk te vermijden mag u nooit de behuizing verwijderen. Er bevinden zich geen onderdelen in het toestel die u zelf kan herstellen. Laat de herstellingen enkel uitvoeren door een bevoegde technicus.



De bliksempijl die zich in een gelijkbenige driehoek bevindt is bedoeld om u te wijzen op het gebruik of de aanwezigheid van niet-geïsoleerde onderdelen met een "gevaarlijke spanning" in het toestel die voldoende kracht heeft om een risico van elektrocutie in te houden.

Het uitroepteken binnen de gelijkbenige driehoek is bedoeld om de gebruiker erop te wijzen dat er in de meegeleverde literatuur belangrijke gebruik en onderhoudsinstructies vermeld staan betreffende dit onderdeel.

Dit symbool betekent: het apparaat mag enkel binnenhuis worden gebruikt.

Dit symbool betekent: Lees de handleiding!

Dit symbool bepaalt: de minimumafstand van te belichten voorwerpen. De minimumafstand tussen projector en het verlichte voorwerp moet meer dan 1 meter zijn.

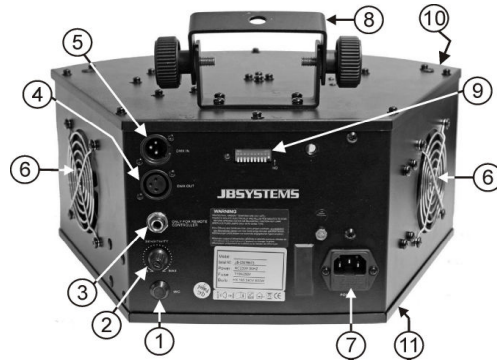
- Om het milieu te beschermen, probeer zoveel mogelijk het verpakkingsmateriaal te recycleren.
- Een nieuw lichteffect kan soms ongewenste rook en/of reuk veroorzaken. Dit is normaal en verdwijnt na een paar minuten.
- Stel dit apparaat niet bloot aan regen of vocht, dit om het risico op brand en elektrische schokken te voorkomen.
- Om de vorming van condensatie binnenin te voorkomen, laat het apparaat aan de omgevingstemperatuur wennen wanneer het, na het transport, naar een warm vertrek is overgebracht. Condensatie kan het toestel soms verhinderen perfect te functioneren. Het kan soms zelfs schade aan het apparaat toebrengen.
- Gebruik dit apparaat uitsluitend binnenshuis.
- Plaats geen stukken metaal en mors geen vocht binnen in het toestel om elektrische schokken of storing te vermijden. Indien een vreemd voorwerp in het apparaat geraakt, moet U het direct van het lichtnet afkoppelen.
- Plaats de installatie op een plaats met goede ventilatie, ver van brandbare materialen en/of vloeistoffen. De installatie moet op minstens 50 cm van de muren rondom geplaatst worden.
- Bedek geen enkele ventilatieopening om oververhitting te vermijden.
- Zorg dat het toestel niet in een stoffige omgeving wordt gebruikt en maak het regelmatig schoon.
- Houd het apparaat uit de buurt van kinderen.
- Dit apparaat mag niet door onervaren personen bediend worden.
- De maximum veilige omgevingstemperatuur is 40°C. Gebruik het apparaat dus niet bij hogere temperaturen.
- De temperatuur van het oppervlak van het apparaat kan 85°C bereiken. Raak de metalen ombouw tijdens het gebruik niet met blote handen aan.
- Verzeker er U van dat er zich onder de plaats waar het toestel wordt geïnstalleerd geen ongewenste personen bevinden tijdens het bevestigen en losmaken alsook bij het onderhoud.
- Laat het toestel ongeveer 15 minuten afkoelen alvorens de lamp te vervangen of alvorens te starten met de onderhoudsbeurt.
- Trek altijd de stekker uit wanneer het apparaat gedurende langere tijd niet wordt gebruikt of alvorens de lamp te vervangen of alvorens te beginnen met de onderhoudsbeurt.
- De elektrische installatie behoort uitsluitend uitgevoerd te worden door bevoegd personeel, volgens de in uw land geldende regels betreffende elektrische en mechanische veiligheid.
- Controleer dat de beschikbare spanning niet hoger is dan die aangegeven op de achterzijde van het toestel.
- De elektrische kabel behoort altijd in uitstekende staat te zijn. Zet het apparaat onmiddellijk af als de elektrische kabel gekneusd of beschadigd is. De kabel moet vervangen worden door de fabrikant zelf, zijn dealer of vergelijkbare bekwame personen om een brand te voorkomen.
- Laat de elektrische draad nooit in contact komen met andere draden.
- Volgens de veiligheidsvoorschriften moet deze installatie geaard worden.
- Sluit het apparaat niet aan op een elektronische dimmer.
- Gebruik altijd een geschikte en gekeurde veiligheidskabel bij het installeren van het toestel.
- Om elektrische schokken te voorkomen, moet U de behuizing niet openen. Afgezien van de lamp en de zekering zitten er geen onderdelen in die door de gebruiker moeten worden onderhouden.
- Repareer **nooit** een zekering en overbrug de zekeringhouder nooit. Vervang een beschadigde zekering **steeds** door een zekering van hetzelfde type en met dezelfde elektrische kenmerken.
- Ingeval van ernstige problemen met het bedienen van het toestel, stopt U onmiddellijk het gebruik ervan. Contacteer uw dealer voor een eventuele reparatie.

- De behuizing en de lenzen moeten vervangen worden als ze zichtbaar beschadigd zijn.
- Gebruik best de originele verpakking als het toestel vervoerd moet worden.
- Om veiligheidsredenen is het verboden om ongeautoriseerde modificaties aan het toestel aan te brengen.

Belangrijk: Kijk nooit rechtstreeks in de lichtbron. Gebruik het lichteffect niet in de tegenwoordigheid van personen die lijden aan epilepsie.

BESCHRIJVING:

1. Geïntegreerde microfoon
2. Knop voor het regelen van de gevoeligheid voor de muziek
3. ¼" Jack ingang voor de optionele CA-8 handcontroller
4. DMX ingang
5. DMX uitgang
6. Ventilator
7. Netaansluiting met IEC stopcontact en geïntegreerde zekeringhouder, sluit de bijgeleverde netstekker hier aan.
8. Ophangbeugel met 2 knoppen langs weerskanten om het toestel vast te maken en een gat om een bevestigingshaak aan vast te maken.
9. DIP-switches, die gebruikt worden om het DMX-startadres van het toestel in te stellen.
10. 60 optische lenzen aan de voorzijde van het toestel.
11. Lampcompartiment
12. Lampcompartiment



PLAATSEN OF VERVANGEN VAN DE LAMP

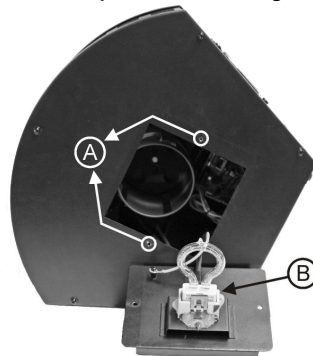


Wacht, in het geval van het vervangen van een lamp of van het geven van een onderhoudsbeurt, 15 minuten na het uitzetten van de installatie met het openen ervan totdat het apparaat is afgekoeld. Trek altijd de stekker uit het stopcontact voor U begint aan het onderhoud. Gebruik altijd hetzelfde type reserveonderdelen (lampen, zekeringen, e.d.) Gebruik bij het vervangen van onderdelen uitsluitend authentieke reserveonderdelen.

- Zet het toestel af en trek de netstekker uit het stopcontact.
- Wacht 15 minuten tot het apparaat is afgekoeld.
- Schroef met een schroevendraaier de 2 schroeven los die het lampcompartiment van het toestel afsluiten. (Zie "A" op de foto hiernaast)
- Aan de binnenzijde zult U de lampenhouder zien. Trek de lampsokkel zachtjes uit het lampcompartiment.
- Verwijder de oude lamp zachtjes. Hou de lampsokkel vast terwijl u de lamp losmaakt in plaats van aan de draad te trekken
- Hou de lampsokkel vast terwijl u de nieuwe lamp zachtjes in de sokkel duwt

Opgepast! Dit toestel gebruikt een speciale cirkelvormige lamp! Controleer het etiket achter op het toestel of kijk naar de technische karakteristieken in deze gebruikswijzing om te weten welke lamp U moet gebruiken. Gebruik nooit een lamp met een hogere wattage. Lampen met een hogere wattage produceren temperaturen waarvoor het apparaat niet ontworpen was. Als het apparaat een lampentransformator gebruikt, zal hij verbranden wegens de te grote belasting.

- Raak de lamp niet met blote handen aan; dit zal de levensduur van de lamp drastisch verkorten. Indien U de lamp aanraakte, maak hem dan schoon met een lapje en een beetje schoonmaakalcohol. Veeg de lamp droog alvorens hem te installeren.



- Plaats de nieuwe lamp terug in het toestel. Verzekeer u ervan dat de draden de lamp niet raken.
- Sluit het lampcompartiment met de 2 schroeven.
- Klaar.

OPHANGEN VAN HET APPARAAT

- **Belangrijk:** De installatie van het toestel mag uitsluitend door bekwaam onderhoudspersoneel uitgevoerd worden. Onjuiste plaatsing kan ernstige letsels en/of schade aan eigendommen tot gevolg hebben. Het ophangen vergt veel ervaring. U behoort de grenzen te respecteren aan de werklust; erkende installeringmaterialen moeten worden gebruikt; de veiligheid van het geïnstalleerde toestel moet regelmatig worden gecontroleerd.
- Overtuig U ervan dat het gebied onder installatieplaats vrij is van ongewenste personen tijdens het plaatsen, het weghalen en het onderhoud.
- Installeer het toestel op een goed geventileerde plaats, ver van brandbare stoffen en/of vloeistoffen. Het toestel moet worden bevestigd op **minstens 50 cm** van de omringende muren.
- Het toestel moet worden geïnstalleerd buiten het bereik van iedereen en weg van plaatsen waar men mag lopen en zitten.
- Alvorens tot plaatsen over te gaan, moet men controleren dat de minimum puntbelasting van de installatieplaats 10 keer het gewicht van het toestel bedraagt.
- Gebruik bij het installeren van het toestel altijd een gewaarmerkte veiligheidskabel die 12 keer het gewicht van het toestel kan dragen. Deze bijkomende veiligheidsbevestiging moet zo worden aangebracht dat geen deel van het toestel meer dan 20 cm vallen kan als de hoofdbeveiliging faalt.
- Het apparaat moet goed worden vastgezet; aan een vrij zwaaiende montage mag zelfs niet gedacht worden.
- Bedek geen ventilatieopeningen, anders zou dit oververhitting tot gevolg kunnen hebben.
- De gebruiker moet er zich van verzekeren dat de installaties met betrekking tot de veiligheid en de technische mechaniek door een expert zijn goedgekeurd alvorens ze voor de eerste keer te gebruiken. Elk jaar moeten de installaties worden gekeurd door een vakman om te controleren of de veiligheid nog steeds perfect is.

BEDIENINGSVOORSCHRIFTEN

- Regelmatige pauzes bij het bedienen zijn noodzakelijk om het apparaat zo lang mogelijk te laten functioneren, daar het niet bedoeld is om onafgebroken te functioneren.
- Zet het toestel niet aan en uit met korte tussenpozen omdat de lamp het anders eerder begeeft.
- De oppervlaktetemperatuur van het apparaat kan 85° bereiken. Raak gedurende het bedienen van het apparaat de behuizing niet met blote handen aan.
- Trekt U altijd de stekker uit het stopcontact als het apparaat langere tijd geen dienst doet of alvorens een lamp te vervangen of alvorens een onderhoudsbeurt te beginnen.
- Stop, in geval van serieuze bedieningsproblemen, met het gebruiken van het apparaat en stel U onmiddellijk in verbinding met uw dealer.
- **Belangrijk:** Kijk nooit rechtstreeks in de lichtbron. Gebruik het effect nooit in de aanwezigheid van mensen die aan epilepsie lijden.

1. Standalone 1 toestel:

Belangrijk: het DMX adres MOET ingesteld worden op 001. (eerste DIP switch = ON, alle andere = OFF) Sluit het toestel gewoon aan op het net en laat muziek afspelen. Het toestel zal automatisch beginnen werken volgens het ritme van de muziek.

2. 2 of meer toestel in master/slave setup

Verbindt 2 of meer toestellen met mekaar via gebalanceerde XLR microfoonkabels van goede kwaliteit. Het toestel waar geen kabel aangesloten is in zijn ingang zal reageren als master, de andere toestellen zijn slave toestellen.

Belangrijk: Op het master toestel MOET het DMX adres ingesteld worden op 001 (eerste DIP switch = ON, alle de andere staan op OFF). **De slave toestellen kunnen elke DMX adres aannemen maar NIET 001.** U kan het gedrag van één of meerdere van de slave toestellen omkeren door de positie van DIP-switch n°10 op deze toestellen te veranderen. Probeer het gewoon eens en kijk of het effect beter tot zijn recht komt. De DIP-switch n°10 veranderen op het master toestel heeft geen effect.

3. Connect the optional CA-8 controller for more control:

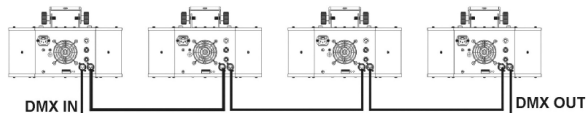
The CA-8 controller can only be used in standalone or master/slave mode. Connect the controller to the CA-8 input of the first unit (master). Now you can control all the connected units:

Stand by	Het toestel in blackout instellen	
Functie	1. Gesynchroniseerde stroboscoop 2. Stroboscoop in 2-light show	1. Traag/middel/snel wijzerszin roteren 2. Traag/middel/snel tegenwijzerszin roteren
Modus	Sound (LED OFF)	Slow ~ no sound (LED ON)



4. Gecontroleerd door een universele DMX-controller

Het DMX protocol is een breed gebruikt hogesnelheidssignaal om lichtuitrustingen te bedienen. U moet uw DMX bediening en alle units met een gebalanceerde kabel van goede kwaliteit doorverbinden.



Om vreemd gedrag van de lichteffecten, veroorzaakt door storing, te voorkomen, moet u een afsluitweerstand van 90Ω tot 120Ω aan het eind van de keten gebruiken. Gebruik nooit een Y-splitkabel, dit zal eenvoudig niet werken!

Weet zeker dat alle units op het lichtnet zijn aangesloten.

Elk lichteffect in de keten heeft een eigen DMX startadres nodig zodat het weet welke commando's van de bediening het moet ontcijferen. In de volgende sectie zal u leren hoe het DMX adres in te stellen.



Het startadres instellen met de DIP-switches:

Op de achterzijde van de Phaeton zult u zien dat elke van de eerste 9 DIP switches correspondeert met een zekere DMX waarde (DIP switch 10 wordt niet gebruikt)

Dip	#1	#2	#3	#4	#5	#6	#7	#8	#9
Waarde	1	2	4	8	16	32	64	128	256

U kan deze waarden combineren om een startadres te bekomen tussen 1 en 512:

Beginadres = 01	→ switch 1=ON	waarden: 1
Beginadres = 05	→ switch 1+3=ON	waarden: 1+4 = 5
Beginadres = 09	→ switch 1+4=ON	waarden: 1+8 = 9
Beginadres = 13	→ switch 1+3+4=ON	waarden: 1+4+8 = 13
...		
Beginadres = 62	→ switch 2+3+4+5+6=ON	waarden: 2+4+8+16+32=62

DMX configuratie:

DMX512 Configuration	
Ch1	Ch2
Rotation	Lamp On/Off/Strobe
192-255 Fast Slow 128-191 Slow Fast 0-127 Index 360° Index 0°	248-255 Lamp ON Fast speed strobe 16-247 Slow speed strobe 8-15 Lamp ON 0-7 Lamp OFF

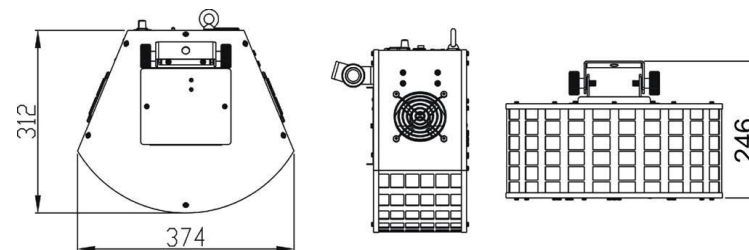
ONDERHOUD

- Overtuig U ervan dat het gebied onder de installatieplaats vrij is van ongewenste personen tijdens het onderhoud.
- Zet het toestel uit, trek de netstekker uit het stopcontact en wacht tot het toestel is afgekoeld.
- **Bij inspectie moeten de volgende punten worden gecontroleerd.**
- Alle schroeven gebruikt om het te toestel te installeren en al zijn onderdelen moeten goed vastgedraaid zijn en mogen niet verroest zijn.
- Behuizingen, vastzetstukken, installeringplaatsen (plafond, spanten, schokbrekers) mogen absoluut niet verwrongen zijn.
- Wanneer een optische lens klaarblijkelijk beschadigd is door barsten of diepe krassen, dan moet deze vervangen worden.
- De stroomkabels moeten in perfecte staat zijn en behoren vervangen te worden, wanneer er zelfs maar een klein probleem ontdekt werd.
- Om het toestel tegen oververhitting te beschermen, behoren de ventilatoren (als die er zijn) en de ventilatieopeningen elke maand gereinigd te worden.
- De binnenkant van het toestel behoort elk jaar gereinigd te worden met een stofzuiger of een luchtspuit.
- Het schoonmaken van inwendige en uitwendige optische lenzen en/of spiegels moet regelmatig worden uitgevoerd om een zo goed mogelijke lichtuitstraling te verkrijgen. Hoe vaak ze schoon moeten worden gemaakt hangt af van de omgeving waar het toestel wordt gebruikt: een klamme, rokerige of bijzonder vuile omgeving kan een grotere opeenhoping van vuil veroorzaken op de optische uitrusting.
 - Reinig met een zachte doek en gebruik normale glasreinigende producten.
 - Droog de onderdelen altijd zorgvuldig af.
 - Reinig de uitwendige optische uitrusting minstens één keer per maand.
 - Reinig de inwendige optische uitrusting minstens om de 3 maanden.

Let op: We bevelen sterk aan dat het schoonmaken van de binnenkant wordt uitgevoerd door vakbekwaam personeel!!

TECHNISCHE KENMERKEN

- Netvoeding:** wisselstroom 230 V, 50 Hz
- Zekering:** 250 V/ 10A trage zekering (20 mm)
- Geluidscontrole:** Inwendige microfoon
- DMX verbinding:** 3 pins XLR mannelijk/ vrouwelijk
- Lamp:** cirkelvormige HX185 800W/240V
- Afmetingen:** 374 x 312 x 246 mm
- Gewicht:** 7,6 kg



Elke inlichting kan veranderen zonder waarschuwing vooraf
U kan de laatste versie van deze handleiding downloaden via Onze website: www.beglec.com

BEDIENUNGSANLEITUNG

Vielen Dank, dass Sie sich für den Erwerb dieses JBSystems®-Produkt entschieden haben. Bitte lesen sie diese Bedienungsanleitung sorgfältig vor der Inbetriebnahme durch, zur vollen Ausschöpfung der Möglichkeiten, die dieses Gerät bietet sowie, zu Ihrer eigenen Sicherheit.

EIGENSCHAFTEN

Das Gerät ist funktentstört und erfüllt die Anforderungen der europäischen und nationalen Bestimmungen. Entsprechende Dokumentation liegt beim Hersteller vor.

- Das Gerät ist zur Erzeugung von dekorativem Licht sowie der Benutzung in Lightshows bestimmt.
- Ein wundervoller Lichteffect, der zahlreiche bunte kreisförmige Muster erzeugt, die sich im Takt der Musik bewegen!
- Enthält insgesamt 60 Linsen mit verschiedenen Farben.
- Arbeitet im Stand-Alone-Modus mit eingebautem Mikrofon
- Wahlweise CA-8 Handsteuerung erhältlich für Zusatzfunktionen im Stand-Alone- und Master/Slave-Modus
- Kann im Master/Slave-Modus verbunden werden, um perfekt synchronisierte Effekte zu erzielen!
- Kann mit jeder gewöhnlichen DMX-Steuerung programmiert werden:
 - CH1: Drehgeschwindigkeit + -Richtung
 - CH2: Lampe ON/OFF + Strobe-Effekt
- Verwendet eine ringförmige Lampe (800W 240V), um wundervolle Effekte zu erzeugen.
- Ideal für Clubs, Pubs, mobile DJ's, ...

VOR DER ERSTBENUTZUNG

- Vor der Erstbenutzung bitte das Gerät zuerst auf Transportschäden überprüfen. Sollte das Gerät einen Schaden aufweisen, Gerät bitte nicht benutzen, sondern unverzüglich mit ihrem Händler in Verbindung setzen.
- **Wichtiger Hinweis:** Das Gerät hat das Werk unbeschädigt und gut verpackt verlassen. Es ist wichtig, dass der Benutzer sich streng an die Sicherheitshinweise und Warnungen in der Bedienungsanleitung hält. Schäden durch unsachgemäße Handhabung sind von der Garantie ausgeschlossen. Der Händler übernimmt keine Verantwortung für Schäden, die durch Nichtbeachtung der Bedienungsanleitung hervorgerufen wurden.
- Die Bedienungsanleitung, für zukünftiges Nachschlagen, bitte aufbewahren. Bei Verkauf oder sonstiger Weitergabe des Gerätes, bitte Bedienungsanleitung beifügen.

Packungsinhalt prüfen:

Bitte überprüfen Sie, dass die Packung folgende Einzelteile enthält:

- Bedienungsanleitung
- PHAETON
- Ringförmige HX185 (800W - 240V) Lampe

SICHERHEITSHINWEISE



ACHTUNG: Um sich nicht der Gefahr eines elektrischen Schlags auszusetzen, entfernen Sie keines der Gehäuseteile. Im Geräteinneren befinden sich keine vom Benutzer reparierbaren Teile. Überlassen

Sie Reparaturen dem qualifizierten Kundendienst.

Das Blitzsymbol im Dreieck weist den Benutzer darauf hin, dass eine Berührungsfahr mit nicht isolierten Teilen im Geräteinneren, welche eine gefährliche Spannung führen, besteht. Die Spannung ist so hoch, dass hier die Gefahr eines elektrischen Schlages besteht.

Das Ausrufezeichen im Dreieck weist den Benutzer auf wichtige Bedienungs- und Wartungshinweise in den Dokumenten hin, die dem Gerät beiliegen.



Dieses Symbol bedeutet: Nur innerhalb von Räumen verwenden.



Dieses Symbol bedeutet: Achtung! Bedienungsanleitung lesen!



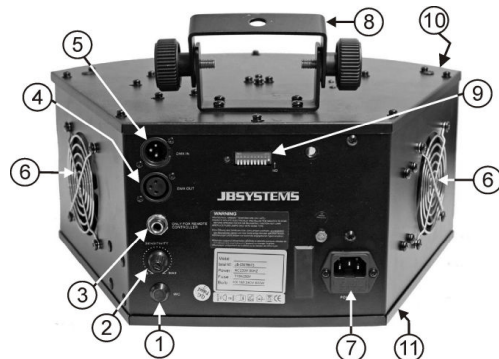
Dieses Symbol stellt fest: der minimale Abstand von beleuchteten Gegenständen. Der minimale Abstand zwischen Projektor und dem belichteten Gegenstand muss mehr als 1 Meter sein.

- Aus Umweltschutzgründen, Verpackung bitte wiederverwenden, oder richtig trennen.
- Ein neues Gerät kann Geruch oder Rauch entwickeln. Das ist völlig normal und legt sich nach einigen Minuten.
- Zur Vermeidung von Stromschlag oder Feuer, Gerät bitte nicht Regen oder Feuchtigkeit aussetzen.
- Zur Vermeidung von Kondensation im Inneren des Geräts, bitte nach Transport in eine warme Umgebung einige Zeit zum Temperatúrausgleich bringen. Kondensation kann zu Leistungsverlust des Gerätes oder gar Beschädigung führen.
- Gerät nicht im Freien und in feuchten Räumen und Umgebungen verwenden.
- Keine Metallgegenstände oder Flüssigkeiten ins Innere des Geräts gelangen lassen, Kurzschluss oder Fehlfunktion können die Folge sein. Falls es doch einmal vorkommen sollte, bitte sofort Netzstecker ziehen und vom Stromkreis trennen.
- Gerät nur in gut belüfteter Position und entfernt von entflammaren Materialien oder Flüssigkeiten betreiben. Mindestabstand an allen Seiten soll mindestens 50 cm sein.
- Ventilationsöffnungen nicht abdecken, da Überhitzungsgefahr!
- Nicht in staubiger Umgebung verwenden und regelmäßig reinigen.
- Für Kinder unerreichbar aufbewahren.
- Unerfahrene Personen sollen das Gerät nicht bedienen.
- Umgebungstemperatur darf 40°C nicht überschreiten.
- Die Oberflächentemperatur kann bis zu 85°C erreichen, Gerät während des Betriebs nicht mit bloßen Händen anfassen.
- Sicherstellen, dass sich während des Auf- und Abbaus keine unbefugten Personen unterhalb des Geräts befinden.
- Vor dem Auswechseln des Leuchtmittels oder sonstigen Eingriffen, 15 Minuten Abkühlzeit einhalten.
- Stets Netzstecker ziehen, wenn Gerät für längeren Zeitraum nicht genutzt, oder es gewartet wird.
- Elektrische Anschlüsse nur durch qualifiziertes Fachpersonal überprüfen lassen.
- Sicherstellen, dass Netzspannung mit Geräteaufkleber übereinstimmt.
- Gerät nicht mit beschädigtem Netzkabel betreiben. Ist die Zugangsleitung beschädigt, muss diese durch den Hersteller, seinen Vertrieb oder durch eine qualifizierte Person ersetzt werden.
- Netzkabel nicht mit anderen Kabeln in Berührung kommen lassen!
- Zur Einhaltung der Sicherheitsbestimmungen muss das Gerät geerdet sein.
- Gerät nicht an einen Dimmer anschließen.
- Ausschließlich vorschriftsmäßige Kabel zur Installation verwenden.
- Gerät nicht öffnen. Abgesehen vom Tausch des Leuchtmittels und der Sicherung sind keine zu wartenden Bauteile im Gerät enthalten.
- Sicherung **niemals** reparieren oder überbrücken, sondern **immer** mit gleichartiger Sicherung ersetzen!
- Bei Fehlfunktion, Gerät nicht benutzen und mit Händler in Verbindung setzen.
- Bei sichtbaren Beschädigungen müssen Gehäuse und Optik ersetzt werden.
- Bei Transport bitte Originalverpackung verwenden, um Schäden am Gerät zu vermeiden.
- Aus Sicherheitsgründen dürfen an dem Gerät keine unbefugten Veränderungen vorgenommen werden.

Wichtiger Hinweis: Nicht direkt in die Lichtquelle blicken! Gerät nicht verwenden, wenn sich Personen im Raum befinden, die unter Epilepsie leiden.

BESCHREIBUNG

1. Eingebautes Mikrofon
2. Mikrofonempfindlichkeit
3. ¼ " Buchse zum Anschluss eines optionalen CA-8-Controllers
4. DMX-Eingangsstecker
5. DMX-Ausgangsstecker
6. Lüftung
7. Netzanschluss mit Hilfe des IEC Steckers und eingebauter Sicherung, verbinden sie hier den Netzstecker.
8. Halter mit zwei Schrauben auf jeder Seite und einem Montierloch um das Gerät in eine Montagevorrichtung zu bringen.
9. DIP-Schalter zum Einstellen der DMX-Startadresse der Einheit.
10. 60 Optiklinsen auf der Vorderseite der Einheit.
11. Kammer für Lampen

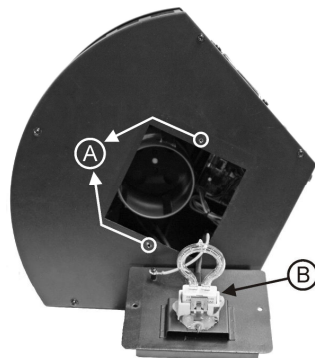


EINSETZEN/AUSTAUSCHEN DER LICHTQUELLE



Bei Austausch oder Ersatz der Lichtquelle Gerät für **mindestens 15 Minuten abkühlen lassen. Stets Netzstecker ziehen und vom Stromkreis trennen! Stets gleichartige Ersatzteile (Lichtquelle, Sicherung etc) verwenden. Original-Ersatzteile verwenden.**

- Gerät abschalten und Netzstecker ziehen.
 - Etwa 15 Minuten abwarten, bis sich das Gerät abgekühlt hat.
 - Lösen Sie mit Hilfe eines Schraubendrehers die 2 Schrauben des Lampenfachs am Gerät (siehe "A" auf der Abbildung).
 - Auf der Innenseite können Sie die Lampenfassung sehen. Vorsichtig aus dem Fach herausziehen.
 - Vorsichtig gebrauchtes Leuchtmittel herausziehen. Hierbei an der Fassung festhalten und nicht am Kabel!
 - An der Fassung festhalten, wenn ein neues Leuchtmittel eingesetzt wird.
- Achtung!** In vorliegendem Gerät wird eine spezielle ringförmige Lampe verwendet! Geräteaufkleber auf der Rückseite des Geräts oder technische Einzelheiten in dieser Bedienungsanleitung beachten, damit stets das richtige Leuchtmittel eingesetzt wird. Keine Leuchtmittel mit höherer Wattanzahl einsetzen! Diese Leuchtmittel erzeugen höhere Temperaturen, für die dieses Gerät nicht ausgelegt ist. Hat das Gerät einen Transformator, kann dieser wegen Überlastung durchbrennen.
- Leuchtmittel nicht mit bloßen Händen berühren! Das verkürzt die Lebenserwartung der Lichtquelle erheblich. Falls es doch einmal vorkommen sollte, mit etwas Alkohol reinigen und vor dem Einsetzen gut abreiben.
 - Neues Leuchtmittel einsetzen und sicherstellen, dass sie nicht von Kabeln berührt wird.
 - Fach wieder mit den 2 Schrauben zudreuen.
 - Fertig!



ÜBERKOPF-MONTAGE

- **Wichtig:** Montage ausschließlich durch qualifiziertes Fachpersonal durchführen lassen. Unvorschriftsmäßiger Einbau kann erhebliche Verletzungen und/oder Schäden verursachen. Überkopf-Montage verlangt entsprechende Erfahrung! Belastungsgrenzen müssen beachtet werden, geeignetes Installationsmaterial muss verwendet werden und das installierte Gerät muss in regelmäßigen Abständen überprüft werden.
- Sicherstellen, dass sich keine unbefugten Personen unterhalb des Geräts befinden, während es installiert oder gewartet wird.

- Gerät in gut belüfteter Position installieren, weit entfernt von entflammaren Materialien und/oder Flüssigkeiten. Einen Seitenabstand von **mindestens 50cm** einhalten.
- Gerät außerhalb der Reichweite von Personen, und nicht in niedrigen Durchgängen oder in der Nähe von Sitzgelegenheiten installieren.
- Vor Montage sicherstellen, dass die gewählte Position wenigstens das 10-fache Gerätegewicht aufnehmen kann.
- Zur Aufhängung stets geeignetes Befestigungsmaterial verwenden, das das 12-fache Gerätegewicht aushalten kann. Eine zweite Sicherungsaufhängung muss angebracht werden, die ein Absacken des Geräts von mehr als 20 cm verhindert, sollte die Befestigung brechen.
- Gerät gut befestigen. Eine freischwingernde Aufhängung ist gefährlich und sollte auf gar keinen Fall in Betracht gezogen werden!
- Ventilationsöffnungen nicht abdecken, da Überhitzungsgefahr!
- Betreiber muss sicherstellen, dass die sicherheitsrelevanten und technischen Installationen vor Erstbetrieb fachmännisch vorgenommen worden sind.
- Installationen sollten jährlich durch qualifiziertes Fachpersonal inspiziert werden, um jederzeit einen sicheren Betrieb zu gewährleisten.

BEDIENUNGSANLEITUNG

- Regelmäßige Betriebspausen sind für eine lange Lebenserwartung des Geräts notwendig. Es ist nicht für den Dauerbetrieb ausgelegt.
- Gerät nicht in kurzen Abständen ein- und ausschalten, da es die Lebensdauer des Leuchtmittels verkürzt.
- Die Oberflächentemperatur kann bis zu 85°C erreichen, Gerät während des Betriebes nicht mit bloßen Händen anfassen.
- Stets Netzstecker ziehen, wenn Gerät für längeren Zeitraum nicht genutzt, oder es gewartet wird.
- Bei Fehlfunktion Gerät nicht benutzen und umgehend mit ihrem Händler in Verbindung setzen.
- **Wichtiger Hinweis:** Nicht direkt in die Lichtquelle blicken! Gerät nicht verwenden, wenn sich Personen im Raum befinden, die unter Epilepsie leiden.

1. Stand-Alone 1 Einheit:

Wichtig: die DMX-Adresse MUSS auf 001 eingestellt sein. (erster DIP-Schalter = ON, alle anderen sind OFF) Schließen Sie die Einheit einfach ans Netz und schalten Sie Musik ein. Die Einheit beginnt automatisch im Takt der Musik zu arbeiten.

2. 2 oder mehr Einheiten in Master/Slave-Einstellung:

Verbinden Sie 2 oder mehr Einheiten miteinander und verwenden Sie dabei hochwertige symmetrische XLR Mikrofonkabel. Die Einheit, die kein Kabel an ihrem Eingang angeschlossen hat, funktioniert als Master, die anderen sind die Slave-Einheiten.

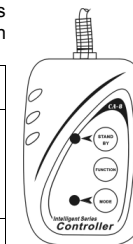
Wichtig: An der Master-Einheit MUSS die DMX-Adresse auf 001 eingestellt sein. (erster DIP-Schalter = ON, alle anderen sind OFF) Die Slave-Einheiten können gleich welchen DMX-Adress-Wert haben, aber **NICHT 001!**

Sie können das Verhalten eines oder mehrerer Slave-Einheiten umkehren, indem Sie die Position des DIP-Schalters Nr. 10 auf diesen Slaves ändern. Versuchen Sie es einfach und schauen Sie, ob ein besserer Effekt erreicht wird. Eine Positionsänderung des DIP-Schalters Nr.10 auf dem Master hat keine Wirkung.

3. Anschließen des optionalen Fernbedienungscontroller CA-8 für mehr Steuerungsmöglichkeiten:

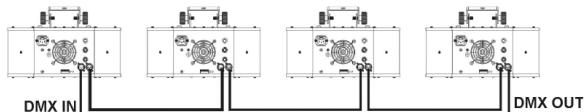
Der Fernbedienungs-Controller CA-8 kann nur im allein stehenden oder Master/Slavemodus benutzt werden. Schließen Sie den Controller an den Eingang des CA-8 des ersten Geräts an (Master). Jetzt können Sie alle angeschlossenen Geräte steuern:

EREIT-SCHAFT	Blackout aller Geräte	
FUNKTION	1. Synchr. Strobe 2. Strobe in 2-Light Show	1. Langsame/Mittlere/Schnelle Bewegungsgeschwindigkeit im Uhrzeigersinn 2. Langsame/Mittlere/Schnelle Bewegungsgeschwindigkeit gegen den Uhrzeigersinn
MODE	Musik (LED OFF)	Langsam ~ keine Musik (LED ON)

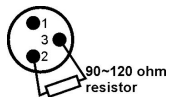


4. Steuerung mit einem universellen DMX-Controller:

Das DMX-Protokoll ist die am meisten benutzte Hochgeschwindigkeits-Signalübertragung, um intelligente Lichtanlagen zu steuern. Sie müssen Ihren DMX-Controller und alle angeschlossenen Geräte mit einem hochwertigen abgeschirmten Kabel „verketten“



Um ein merkwürdiges Verhalten der Lichteffekte durch Störungen zu verhindern, müssen Sie die Kette mit einem 90Ω bis 120Ω Abschlusswiderstand am Ende abschließen. Benutzen Sie nie ein Y-Kabel!!!



Vergewissern Sie sich, dass alle Geräte an die Netzleitung angeschlossen wurden. Jedes Gerät in der Kette benötigt eine korrekte Startadresse, damit es weiß, welche Befehle es vom DMX-Controller dekodieren muss. Im folgenden Abschnitt erfahren Sie, wie man die DMX-Adressen einstellt.

• Wie man die DIP-Schalter setzt, um die richtige Startadresse zu erhalten:

An der Rückseite des Phaeton finden sie die DIP Schalter. Mit den ersten 9 Schaltern wird die DMX Adresse eingestellt (DIP-Schalter 10 ist nicht belegt):

Dip	#1	#2	#3	#4	#5	#6	#7	#8	#9
Wert	1	2	4	8	16	32	64	128	256

Sie können die Werte dieser Schalter kombinieren um jede Startadresse zwischen 1 und 512 zu erhalten:

- Anfangsadresse = 01 → Schalter 1=ON Werte: 1
- Anfangsadresse = 05 → Schalter 1+3=ON Werte: 1+4 = 5
- Anfangsadresse = 09 → Schalter 1+4=ON Werte: 1+8 = 9
- Anfangsadresse = 13 → Schalter 1+3+4=ON Werte: 1+4+8 = 13
- ...
- Anfangsadresse = 62 → Schalter 2+3+4+5+6=ON Werte: 2+4+8+16+32 = 62

• DMX-CONFIGURATION :

DMX512 Configuration	
Ch1	Ch2
Rotation	Lamp On/Off/Strobe
192-255 Fast Slow 	248-255 Lamp ON Fast speed strobe
128-191 Slow Fast 	16-247 Slow speed strobe
0-127 Index 360° Index 0° 	8-15 Lamp ON 0-7 Lamp OFF

WARTUNG UND INSTANDHALTUNG

- Sicherstellen, dass sich keine unbefugten Personen unterhalb des Geräts befinden, während es gewartet wird.
- Gerät ausschalten, Netzstecker ziehen und warten, bis es sich abgekühlt hat.

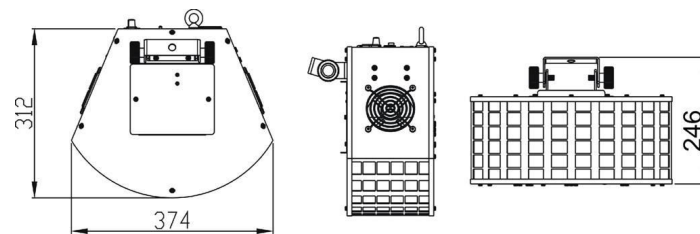
Während der Wartung sind folgende Punkte ganz besonders zu beachten:

- Sämtliche Schrauben zur Installation und Befestigung jeglicher Teile müssen fest angezogen und rostfrei sein.
- Gehäuse, Befestigungsmaterialien und Aufhängungen (Decke, Balken, abgehangte Decken) dürfen keine Anzeichen von Verformung zeigen.
- Ist die Optik sichtbar beschädigt (Sprünge oder tiefe Kratzer), dann müssen die entsprechenden Teile ausgewechselt werden.
- Netzkabel muss stets in einwandfreiem Zustand sein und selbst bei kleinsten Beschädigungen erneuert werden.
- Zur Vermeidung von Überhitzung müssen die Ventilatoren (sofern vorhanden) und Lüftungsschlitze monatlich gereinigt werden.
- Gerät innen mindestens einmal pro Jahr mit Staubsauger oder Airjet reinigen.
- Reinigung der inneren und äußeren optischen Linsen und/oder Spiegel müssen in regelmäßigen Abständen zur Beibehaltung einer optimalen Lichtausbeute vorgenommen werden. Reinigungsintervalle hängen stark von der Umgebung ab: feuchte, verrauchte und besonders verschmutzte Umgebung führen zu größerer Verschmutzung auf den Linsen.
 - Mit weichem Tuch und gewöhnlichem Glasreiniger säubern.
 - Alle Teile stets gut abtrocknen.
 - Äußere Optik mindestens alle 30 Tage säubern.
 - Innere Optik mindestens alle 90 Tage säubern.

Achtung: Wir empfehlen dringend, Reinigung im Innern des Geräts nur von qualifiziertem Personal durchführen zu lassen!

TECHNISCHE EINZELHEITEN

- Netzspannung: ≈ 230V, 50Hz
- Sicherung: 250V / 10A langsame Sicherung (20mm Glas)
- Klangregler: Eingebautes Mikrofon
- DMX Anschlüsse: 3-pin XLR Stecker/Buchse
- Lichtquelle: Ringförmige HX185 (800W/240V) Lampe
- Abmessungen: 374 x 312 x 246mm
- Gewicht: 7,6kg



Technische Änderungen können auch ohne Vorankündigung vorgenommen werden!
 Sie können sich die neueste Version dieses Benutzerhandbuches von unserer Website herunterladen: www.beglec.com

MANUAL DE FUNCIONAMIENTO

Gracias por comprar este producto JB Systems®. Para sacar el máximo rendimiento a sus posibilidades y por su propia seguridad, lea estas instrucciones de funcionamiento detenidamente antes de comenzar a utilizar esta unidad.

CARACTERÍSTICAS

Esta unidad está a prueba de interferencias de radio. Este producto cumple los requisitos de las directrices nacionales y europeas actuales. Se ha establecido la conformidad y las instrucciones y documentos correspondientes han sido depositados por el fabricante.

- Este dispositivo ha sido diseñado para producir efectos luminosos decorativos y se utiliza en sistemas de espectáculos de luces.
- ¡Un maravilloso efecto luminoso que crea toneladas de patrones circulares coloreados, moviéndose al ritmo de la música!
- Contiene un total de 60 lentes con diferentes colores.
- Funciona en modo independiente con micrófono interno.
- Controlador manual CA-8 disponible para funciones adicionales en modos independiente maestro/esclavo.
- ¡Puede unirse en modo maestro/esclavo para crear patrones circulares muy bien sincronizados!
- Puede programarse con cualquier controlador DMX estándar:
 - CH1: velocidad de giro + dirección.
 - CH2: lámpara ACTIVADO/DESACTIVADO + Estrobo
- Emplea una lámpara circular de 240 V 800 W para crear patrones maravillosos.
- Ideal para clubs, pubs, DJs móviles.

ANTES DE UTILIZAR EL APARATO

- Antes de comenzar a utilizar esta unidad, compruebe que no haya habido daños durante el transporte. Si observa algún daño, no utilice el dispositivo y consulte primero a su distribuidor.
- **Importante:** Este dispositivo ha salido de nuestras instalaciones en perfecto estado y bien embalado. Es absolutamente necesario que el usuario siga estrictamente estas instrucciones y advertencias de seguridad que aparecen en este manual de usuario. Cualquier daño producido por un manejo innecesario queda excluido de la garantía. El distribuidor no asumirá ninguna responsabilidad por cualquier defecto o problema que surja por no haber seguido el manual de usuario.
- Guarde este folleto en un lugar seguro para consultarlo en el futuro. Si vende este aparato más adelante, asegúrese de incluir este manual de usuario.

Compruebe el contenido:

Compruebe que la caja contiene los siguientes elementos:

- Instrucciones de funcionamiento
- Efecto luminoso PHAETON
- Lámpara Circular HX185 800W 240 V

INSTRUCCIONES DE SEGURIDAD:



PRECAUCIÓN: Para reducir el riesgo de descarga eléctrica, no quite la cubierta superior. No existen piezas en el interior que pueda mantener o reparar el usuario. Asigne el mantenimiento y las reparaciones a personal

calificado.



El símbolo en forma de rayo con cabeza de flecha dentro de un triángulo equilátero se emplea para alertar sobre el uso o presencia de "voltaje peligroso" no aislado dentro de la carcasa del producto con la magnitud suficiente para constituir un riesgo de descarga eléctrica.



El signo de exclamación dentro del triángulo equilátero se emplea para alertar al usuario de la presencia de instrucciones de funcionamiento y mantenimiento importantes en el texto que acompaña a este aparato.



Este símbolo indica: Usar sólo en el interior.



Este símbolo indica: Leer las instrucciones.



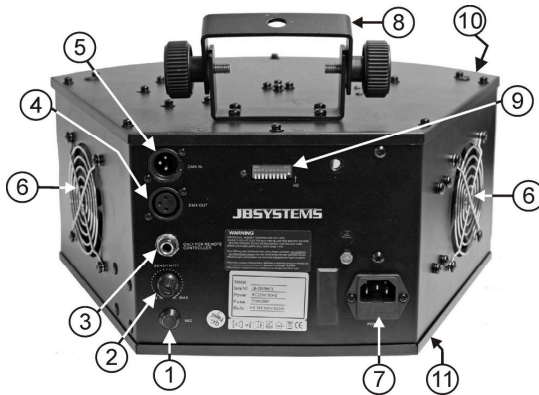
Este símbolo indica: La distancia mínima de objetos iluminados. La distancia mínima entre la emisión luminosa y la superficie iluminada tiene que ser más de 1 metro.

- Para proteger el medio ambiente, recicle el material de embalaje en la medida de lo posible.
- Un nuevo efecto luminoso provoca a veces humo y/u olor no deseados. Esto es normal y desaparece después de algunos minutos.
- Para evitar incendios o riesgos de descarga, no exponga la unidad a la lluvia o a la humedad.
- Para evitar que se forme condensación en el interior, deje que la unidad se adapte a la temperatura exterior cuando la lleve a una habitación cálida después del transporte. A veces la condensación impide que la unidad funcione a pleno rendimiento y puede incluso provocar daños.
- Esta unidad sólo se puede usar en el interior.
- No coloque objetos metálicos ni derrame líquidos dentro del reproductor de la unidad. Se pueden producir descargas eléctricas o fallos de funcionamiento. Si algún objeto extraño entra en la unidad, desconecte inmediatamente el suministro eléctrico.
- Coloque el aparato en un lugar bien ventilado, lejos de materiales y/o líquidos inflamables. El aparato debe colocarse a al menos 50 cm de las paredes.
- No cubra ninguna abertura de ventilación puesto que podría producirse un sobrecalentamiento de la unidad.
- Evite el uso en ambientes con polvo y limpie la unidad regularmente.
- Mantenga la unidad lejos de los niños.
- Las personas sin experiencia no deben utilizar este aparato.
- La máxima temperatura ambiente para un funcionamiento seguro es de 40°C. No utilice la unidad a temperaturas ambiente superiores.
- La temperatura de la superficie de la unidad puede alcanzar hasta 85°C. No toque la carcasa sin protección durante el funcionamiento.
- Asegúrese de que debajo del área del lugar de instalación no hay personas durante el montaje, desmontaje o mantenimiento.
- Deje que el aparato se enfríe durante al menos 15 minutos antes de reemplazar la bombilla o comenzar el mantenimiento.
- Desenchufe siempre la unidad cuando no vaya a ser utilizada durante un largo periodo de tiempo o antes de reemplazar la bombilla o comenzar el mantenimiento.
- La instalación eléctrica sólo debe ser llevada a cabo por personal cualificado, de acuerdo con la regulaciones sobre seguridad eléctrica y mecánica de su país.
- Compruebe que el voltaje disponible no supera el que se indica en el panel trasero de la unidad.
- El cable de alimentación siempre debe estar en perfecto estado. Apague la unidad inmediatamente cuando observe daños o desperfectos en el cable de alimentación. Debe ser reemplazado por el fabricante, su agente de servicio o personas cualificadas para evitar cualquier peligro.
- ¡Nunca deje que el cable de alimentación entre en contacto con otros cables!
- Este aparato debe conectarse a tierra para cumplir con las regulaciones sobre seguridad.
- No conecte la unidad a ningún regulador de voltaje.
- Utilice siempre un cable de seguridad apropiado y homologado cuando instale la unidad.
- Para evitar descargas eléctricas, no abra la cubierta. Además de la lámpara y el fusible de red no hay piezas en el interior de este aparato que pueda mantener el usuario.
- **Nunca** repare un fusible ni derive el soporte del fusible. ¡Reemplace **siempre** el fusible dañado por un fusible del mismo tipo y especificación eléctrica!
- En caso de que ocurran problemas de funcionamiento serios, deje de utilizar el aparato y póngase en contacto con su distribuidor inmediatamente.
- La carcasa y la lente deben reemplazarse si presentan daños visibles.
- Utilice el embalaje original cuando tenga que transportar el dispositivo.
- Por razones de seguridad se prohíbe realizar modificaciones no autorizadas en la unidad.

Importante: ¡Nunca mire directamente a la fuente de luz! No utilice el efecto en presencia de personas epilépticas.

DESCRIPCIÓN:

1. Micrófono interno
2. Sensibilidad de micrófono
3. Entrada de jack de ¼" para el controlador manual CA-8 opcional
4. Entrada DMX
5. Salida DMX
6. Ventilador de refrigeración
7. Entrada de red eléctrica con la toma IEC y el soporte de fusible integrado, conecte el cable de red suministrado aquí.
8. Soporte colgante dos perillas a ambos lados para sujetar la unidad y un agujero de montaje para instalar el gancho de montaje.
9. Interruptores dip se utilizan para establecer la dirección de inicio DMX de la unidad.
10. 60 lentes ópticas en la parte delantera de la unidad.
11. Compartimento para la lámpara.



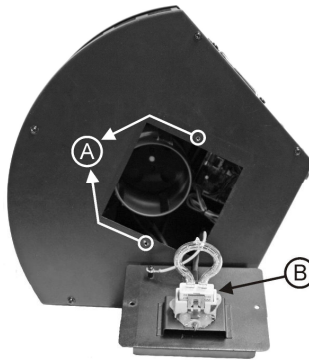
REEMPLAZO Y COLOCACIÓN DE LA LÁMPARA



Quando tenga que reemplazar la lámpara o realizar el mantenimiento de ésta, no abra el aparato hasta 15 minutos después de haberla apagado para que se enfríe. ¡Desconecte siempre la unidad antes de realizar el mantenimiento! Utilice siempre el mismo tipo de piezas de repuesto (bombillas, fusibles, etc.) Cuando sustituya piezas, utilice solamente recambios originales.

- Apague la unidad y desenchufe el cable de red.
- Espere unos 15 minutos hasta que la unidad se haya enfriado.
- Utilice un destornillador para desatornillar los 2 tornillos que cierran el compartimiento de la lámpara en el aparato (consulte "A" en el gráfico).
- En el interior verá el casquillo de la lámpara. Desprenda suavemente el casquillo de la lámpara del compartimiento de la lámpara.
- Desconecte la lámpara vieja. Sujete el casquillo de la lámpara mientras desconecta la lámpara en vez de tirar del cable!
- Sujete el casquillo de la lámpara mientras empuja suavemente la nueva lámpara en el casquillo.

- **¡Atención!** ¡Esta unidad emplea una lámpara circular especial! Compruebe la etiqueta en el lado posterior del dispositivo o lea las especificaciones técnicas en este manual para saber qué lámpara utilizar. ¡Nunca instale lámparas con un vatiaje superior! Las lámparas con un vatiaje superior generan temperaturas para las que el dispositivo no ha sido diseñado. Si utiliza un transformador de lámpara, se quemará debido a la sobrecarga de corriente.
- ¡No toque la bombilla sin protegerse las manos! Esto reduce drásticamente la vida útil de la lámpara. Si ha tocado la lámpara, límpiela con un paño y alcohol de quemar. Limpie la lámpara antes de instalarla.
- Vuelva a colocar la nueva lámpara dentro de la unidad. Asegúrese de que los cables no toquen la lámpara.
- Cierre el compartimiento de la lámpara con los 2 tornillos.
- ¡Ya está!



MONTAJE SUPERIOR

- **Importante:** La instalación sólo debe llevarse a cabo por personal técnico cualificado. Una

instalación incorrecta puede provocar lesiones graves y/o daños en la propiedad. ¡El montaje superior requiere mucha experiencia! Deben respetarse los límites de carga de funcionamiento, deben utilizarse materiales de instalación homologados, el dispositivo instalado debe inspeccionarse regularmente por su seguridad.

- Asegúrese de que debajo del área del lugar de instalación no hay personas durante el montaje, desmontaje o mantenimiento.
- Coloque el aparato en un lugar bien ventilado, lejos de materiales y/o líquidos inflamables. El aparato debe colocarse a al menos 50 cm de las paredes.
- El dispositivo debe instalarse lejos del alcance de las personas y de las áreas exteriores donde éstas puedan andar o sentarse.
- Antes del montaje asegúrese de que el área de la instalación puede soportar una carga mínima de 10 veces el peso de la unidad.
- Utilice siempre un cable de seguridad homologado que pueda soportar 12 veces el peso del dispositivo cuando instale la unidad. Este accesorio de seguridad secundario debe instalarse de forma que ninguna pieza de la instalación pueda caerse más 20 cm si falla el accesorio principal.
- El dispositivo debe fijarse correctamente; ¡un montaje con giro libre es peligroso y no debe considerarse!
- No cubra ninguna abertura de ventilación puesto que podría producirse un sobrecalentamiento de la unidad.
- El operario debe asegurarse de que las instalaciones relacionadas con la seguridad son aprobadas por un experto antes de utilizarlas por primera vez. Las instalaciones deberán inspeccionarse anualmente por una persona cualificada para asegurar que la seguridad es óptima.

INSTRUCCIONES DE FUNCIONAMIENTO

- Una vez conectado a la red eléctrica, el dispositivo comienza a funcionar.
- Las paradas regulares durante el funcionamiento son fundamentales para alargar la vida útil de este dispositivo puesto que no está diseñado para un uso continuo.
- No encienda ni apague la unidad en intervalos cortos de tiempo puesto que esto reduce la vida útil de la lámpara.
- La temperatura de la superficie de la unidad puede alcanzar hasta 85°C. No toque la carcasa sin protección durante el funcionamiento.
- Desenchufe siempre la unidad cuando no vaya a ser utilizada durante un largo periodo de tiempo o antes de reemplazar la bombilla o comenzar el mantenimiento.
- En caso de que ocurran problemas de funcionamiento serios, deje de utilizar el aparato y póngase en contacto con su distribuidor inmediatamente.
- **Importante:** ¡Nunca mire directamente a la fuente de luz! No utilice el efecto en presencia de personas epilépticas.

1. 1 unidad independiente:

Importante: la dirección DMX DEBE establecerse en 001. (primer interruptor DIP = ON (CONECTADO), todos los demás están OFF (DESCONECTADOS) Conecte la unidad a la red eléctrica y ponga algo de música. La unidad comenzará a funcionar automáticamente al ritmo de la música.

2. Dos o más unidades en configuración maestra/esclava:

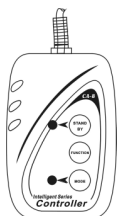
Conecte 2 o más unidades juntas mediante cables de micrófono XLR equilibrados de buena calidad. La unidad que no disponga de cable conectado a su entrada actuará como "maestra", las otras serán unidades esclavas.

Importante: En la unidad maestra la dirección DMX DEBE establecerse en 001. (primer interruptor DIP = ON (CONECTADO), todos los demás están OFF (DESCONECTADOS) **Las unidades esclavas pueden tener cualquier valor de dirección DMX EXCEPTO 001**

Puede invertir el comportamiento de una o más unidades esclavas cambiando la posición del interruptor DIP núm. 10 en estas unidades esclavas. Inténtelo y compruebe si el efecto mejora. Cambiar el núm. 10 en el interruptor DIP en la unidad maestra no tiene ningún efecto.

3. Conexión del controlador CA-8 para obtener más control:

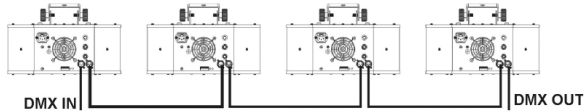
El controlador CA-8 sólo puede utilizarse en modalidad independiente, maestra/esclava. Conecte el controlador a la entrada jack de la primera unidad (maestra). Ahora puede controlar todas las unidades conectadas:



Stand by	Oscurece la unidad	
Función	1. Estroboscópica sinc. 2. Estroboscópica en espectáculos de 2 luces	1. Rotación hacia la derecha a velocidad lenta/media/rápida 2. Rotación hacia la izquierda a velocidad lenta/media/rápida
Modalidad	Sonido (LED apagado)	Lenta ~ sin sonido (LED CONECTADO)

4. Control mediante controlador DMX universal:

El protocolo DMX es una señal de alta velocidad muy utilizada para controlar equipo de iluminación inteligente. Necesita conectar en cadena tipo margarita su controlador DMX y todas las unidades conectadas con un cable equilibrado de buena calidad.



Para evitar un comportamiento anómalo de los efectos luminosos, debido a interferencias, debe utilizar un terminador de 90Ω a 120Ω al final de la cadena. Nunca utilice cables divisores en Y, ¡No funcionarán!



Asegúrese de que todas las unidades están conectadas a la red eléctrica.

Cada efecto luminoso en la cadena necesita disponer de su propia dirección de inicio de forma que sepa qué comando del controlador debe descodificar. En la siguiente sección obtendrá información sobre cómo establecer las direcciones DMX.

• Ajuste de los interruptores DIP para que puedan obtener la dirección de inicio correcta:

En la parte trasera de la unidad Phaeton observará que cada uno de los primeros 9 interruptores DIP corresponde a cierto valor:

DIP	#1	#2	#3	#4	#5	#6	#7	#8	#9
Valor	1	2	4	8	16	32	64	128	256

Puede combinar los valores de estos interruptores para que se conviertan en cualquier dirección de inicio entre 1 y 512:

- Dirección de inicio = 01 → interruptor 1=ON valores: 1
- Dirección de inicio = 05 → interruptor 1+3=ON valores: 1+4 = 5
- Dirección de inicio = 09 → interruptor 1+4=ON valores: 1+8 = 9
- Dirección de inicio = 13 → interruptor 1+3+4=ON valores: 1+4+8 = 13
- ...
- Dirección de inicio = 62 → interruptor 2+3+4+5+6=ON valores: 2+4+8+16+32 = 62

• CONFIGURACIÓN DMX :

DMX512 Configuration	
Ch1	Ch2
Rotation	Lamp On/Off/Strobe
192-255 Fast Slow	248-255 Lamp ON Fast speed strobe
128-191 Slow Fast	16-247 Lightning bolts
0-127 Index 360° Index 0°	8-15 Slow speed strobe Lamp ON 0-7 Lamp OFF

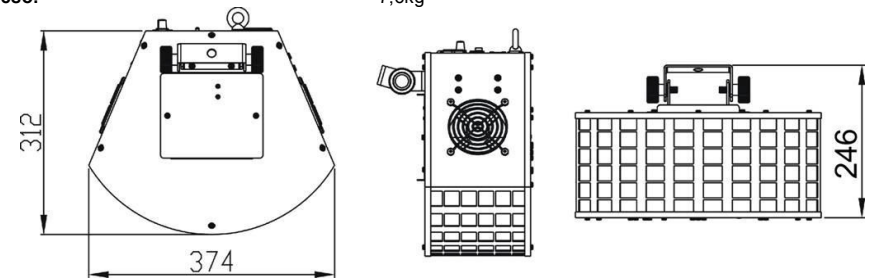
MANTENIMIENTO

- Asegúrese de que debajo de la zona del lugar de instalación no haya personas durante el mantenimiento.
- Apague la unidad, desenchufe el cable de red y espere hasta que la unidad se haya enfriado.
- **Durante la inspección deberá comprobar los siguientes puntos:**
- Todos los tornillos utilizados para instalar el dispositivo y cualquiera de sus piezas deberán apretarse firmemente y no corroerse.
- Las carcasas, las fijaciones y los puntos de instalación (techo, suspensiones) no deberán presentar ninguna deformidad.
- Cuando una lente óptica esté visiblemente dañada por grietas o rasguños profundos, deberá ser reemplazada.
- Los cables de red deberán estar en perfecto estado y deberán reemplazarse inmediatamente incluso si el problema detectado es pequeño.
- Para proteger al aparato del sobrecalentamiento, las aletas de refrigeración (si las hubiera) y las aberturas de ventilación deberán limpiarse mensualmente.
- El interior del dispositivo deberá limpiarse anualmente mediante una aspiradora o chorro de aire.
- La limpieza de las lentes internas y externas y/o espejos deberá llevarse a cabo periódicamente para optimizar la emisión luminosa. La frecuencia de limpieza depende del entorno en el que funcione el aparato: los ambientes húmedos, con humo o especialmente sucios pueden provocar una mayor acumulación de suciedad en los elementos ópticos del aparato.
 - Limpie con un paño suave utilizando productos de limpieza de cristales normales.
 - Seque siempre las piezas con cuidado.
 - Limpie los elementos ópticos externos al menos una vez cada 30 días.
 - Limpie los elementos ópticos internos al menos una vez cada 90 días.

Atención: ¡Le recomendamos encarecidamente que la limpieza interna sea llevada a cabo por personal cualificado!

ESPECIFICACIONES

- Entrada de red:** CA 230V, 50Hz
- Fusible:** 250V 10A lento (20 mm cristal)
- Control de sonido:** Micrófono interno
- Conexiones DMX:** 3 clavijas XLR macho / hembra
- Lámpara:** Circular HX185 800W/240 V
- Tamaño:** 374 x 312 x 246 mm
- Peso:** 7,6kg



Toda la información está sujeta a cambios sin previo aviso
Puede descargar la última versión de este manual de usuario en nuestra página Web:
www.beglec.com

MANUAL DO UTILIZADOR

Obrigado por ter adquirido este produto da JB Systems®. De modo a tirar total proveito das possibilidades deste produto, por favor leia este manual com atenção.

CARACTERÍSTICAS

Esta unidade está protegida contra interferências rádio. Este produto cumpre as exigências impostas pelas presentes directivas nacionais e europeias. A conformidade deste produto foi comprovada e as declarações e documentos relevantes foram efectuados pelo fabricante.

- Esta unidade destina-se a produzir efeitos luminosos decorativos e é utilizada em sistemas de espectáculos de luz.
- Um maravilhoso efeito de luz que cria um sem número de padrões circulares, todos a moverem-se ao ritmo da música.
- Contém um total de 60 lentes com diferentes cores.
- Trabalha em modo individual com microfone interno
- Controlador de mão opcional CA-8 disponível para funções extra em modo individual e master/slave
- Pode ser ligada em modo master/slave para criar padrões circulares perfeitamente sincronizados!
- Pode ser programado por qualquer controlador standard DMX:
 - CH1: Velocidade de rotação + direcção
 - CH2: Ligar / Desligar lâmpada + Strobe
- Utiliza uma lâmpada circular 800W 240V para criar padrões maravilhosos
- Perfeito para clubes, pubs, DJ's móveis, ...

ANTES DE UTILIZAR

- Antes de utilizar esta unidade verifique se existem danos provocados durante o transporte. Caso existam danos aparentes, não utilize a unidade e contacte o seu revendedor.
- **Importante:** Esta unidade deixou a nossa fábrica em perfeitas condições e devidamente embalada. É imprescindível que o utilizador siga as instruções de segurança e avisos descritos neste manual. Quaisquer danos provocados por utilização incorrecta não serão cobertos pela garantia. O revendedor não será responsável por quaisquer danos ou problemas causados pelo incumprimento das instruções deste manual.
- Guarde este manual num local seguro para consulta futura. Caso venda esta unidade, forneça este manual.

Verifique o conteúdo:

Certifique-se que a caixa contém os seguintes artigos:

- Manual do utilizador
- Unidade PHAETON
- Lâmpada circular HX185 800W 240V

INSTRUÇÕES DE SEGURANÇA:



ATENÇÃO: De forma a evitar o risco de choque eléctrico, não remova peças da unidade. Não tente fazer reparações. Contacte pessoal qualificado.



O símbolo composto por um triângulo equilátero com um relâmpago no interior alerta para a presença de voltagem perigosa não isolada no interior do produto que poderá constituir risco de choque eléctrico.



O símbolo composto por um triângulo equilátero com um ponto de exclamação alerta o utilizador para a presença de instruções importantes de utilização e manutenção do produto.



Este símbolo significa: utilização unicamente em espaços fechados.



Este símbolo significa: Leia instruções.



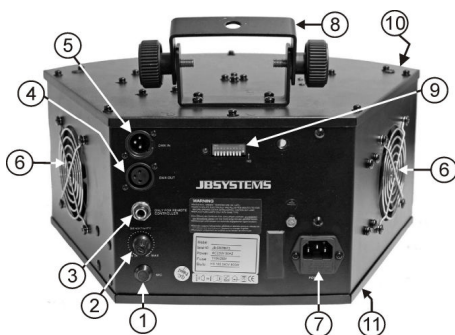
Este símbolo determina: a distância mínima dos objectos iluminados. A distância mínima entre o projector e o objecto iluminado deve ser mais de 1 metro.

- Proteja o ambiente. Recicle o material desta embalagem.
- Os efeitos luminosos novos podem por vezes produzir algum fumo e/ou cheiro desagradável. Esta situação é normal e temporária.
- De modo a evitar risco de fogo ou choque eléctrico, não exponha este produto a chuva ou humidade.
- De forma a evitar a formação de condensação no interior da unidade, ao transportá-la para ambiente quente aguarde algum tempo de modo a que haja uma ambientação à temperatura. A condensação poderá afectar o desempenho da unidade ou até danificá-la.
- Esta unidade destina-se unicamente a utilização em espaços fechados.
- Não introduza objectos de metal nem verta líquidos no interior do produto, correrá risco de choque eléctrico ou poderá danificar o produto. Caso algum objecto estranho entre em contacto com o interior da unidade, desligue-a de imediato da corrente.
- Coloque esta unidade num local arejado, afastado de materiais inflamáveis e/ou líquidos. Esta unidade deverá ser instalada a pelos menos 50cm de distância de paredes circundantes.
- Não cubra os orifícios de ventilação ou a unidade poderá sobreaquecer.
- Evite locais com poeiras. Limpe a unidade regularmente.
- Mantenha esta unidade fora do alcance das crianças.
- Esta unidade deverá ser operada unicamente por pessoas experientes.
- Temperatura ambiente de funcionamento máxima é de 40°C. Não utilize esta unidade a temperaturas ambientes mais elevadas.
- A temperatura da superfície da unidade pode alcançar os 85°C. Não toque na cobertura da unidade com mãos descobertas durante o funcionamento.
- Certifique-se de que não irão passar pessoas sob a área de instalação da unidade durante a instalação e manutenção.
- Aguarde cerca de 10 minutos para que a unidade arrefeça antes de substituir a lâmpada ou de efectuar a manutenção.
- Desligue sempre a unidade da corrente quando não a utilizar durante longos períodos de tempo, antes de substituir a lâmpada ou de efectuar manutenção.
- A instalação eléctrica deve ser efectuada unicamente por pessoal qualificado, cumprindo os regulamentos de segurança em instalações eléctricas e mecânicas do seu país.
- Certifique-se que a voltagem a utilizar não é superior à voltagem indicada no painel traseiro da unidade.
- O cabo de alimentação deverá estar sempre em perfeitas condições. Desligue a unidade e substitua imediatamente o cabo caso este apresente algum dano. Deverá ser substituído pelo fabricante, pelo agente autorizado ou pessoal qualificado de modo a evitar um acidente.
- Nunca permita que este cabo entre em contacto com outros cabos!
- Esta unidade deverá estar ligada à Terra de forma a respeitar as regras de segurança.
- Não ligue a unidade a reguladores de intensidade.
- Utilize sempre um cabo de segurança aprovado ao instalar a unidade.
- De forma a não correr risco de choque eléctrico não abra a cobertura da unidade. À excepção da lâmpada e do fusível, não existem peças que possam ser substituídas pelo utilizador.
- **Nunca** repare um fusível nem tente operar a unidade sem fusível. Substitua **sempre** um fusível danificado por outro com as mesmas características!
- Em caso de problemas sérios de funcionamento, interrompa a utilização da unidade e contacte imediatamente o seu revendedor.
- A cobertura e as lentes deverão ser substituídas caso apresentem danos visíveis.
- Caso seja necessário transportar a unidade utilize a embalagem original.
- Por motivos de segurança, são proibidas quaisquer alterações não autorizadas à unidade.

Importante: Nunca olhe directamente para a luz! Não utilize este efeito luminoso na presença de pessoas epiléticas.

DESCRIÇÃO:

1. Microfone interno
2. Sensibilidade do microfone
3. Entrada jack de ¼" para conectar o comando opcional CA-8
4. Conector entrada de DMX
5. Conector saída de DMX
6. Ventoinha de arrefecimento
7. Fonte de alimentação com Conector IEC e suporte de fusível integrado. Ligue o cabo de alimentação fornecido a este conector.
8. Suporte de suspensão: Contém 2 parafusos de aperto em ambos os lados para fixar a unidade e um orifício para aplicação de um gancho de montagem.
9. Interruptores DIP, usados para definir o endereço DMX inicial da unidade.
10. 60 Lentes ópticas na parte frontal da unidade.
11. Compartimento das lâmpadas

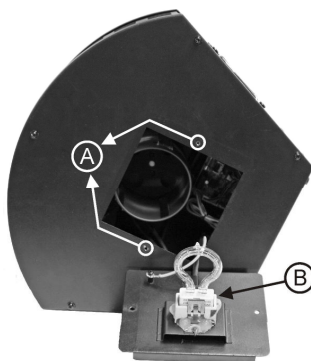


COLOCAR/SUBSTITUIR A LÂMPADA



Em caso de substituição da lâmpada ou manutenção, aguarde 15 minutos após desligar a unidade. **Desligue sempre a unidade antes de efectuar a manutenção!** Utilize sempre peças suplentes com as mesmas características (lâmpadas, fusíveis, etc). Utilize unicamente peças originais.

- Desligue o cabo de alimentação.
- Aguarde cerca de 15 minutos para que a unidade arrefeça.
- Use uma chave de parafusos para desaparafusar os 2 parafusos que fecham o compartimento da lâmpada da unidade (ver "A" na imagem).
- No interior irá ver o conector da lâmpada. Retire cuidadosamente o conector do compartimento da lâmpada.
- Ao retirar a lâmpada usada, segure o conector. Não puxe o cabo!
- Segure o conector e insira cuidadosamente a lâmpada. **Atenção!** Esta unidade utiliza uma lâmpada circular especial! Verifique o rótulo na parte de trás da unidade ou consulte as especificações descritas neste manual para saber que lâmpada deve utilizar. Nunca instale lâmpadas com nível de watts superior ao indicado! Lâmpadas com nível de watts superior geram temperatura que a unidade não está preparada para suportar. Caso a unidade utilize um transformador de lâmpada, este irá danificar-se devido a sobrecarga de corrente.
- Não toque no interior do reflector da lâmpada com as mãos descobertas, caso contrário irá diminuir drasticamente a sua duração! Caso toque na lâmpada com as mãos, limpe-a utilizando um pano e álcool antes de efectuar a instalação.
- Coloque a nova lâmpada no interior da unidade. Certifique-se que os fios não tocam na lâmpada.
- Feche o compartimento da lâmpada com os 2 parafusos.
- Operação concluída!



INSTALAÇÃO EM SUSPENSÃO

- **Importante:** A instalação deve ser efectuada unicamente por pessoal qualificado. Uma instalação incorrecta pode resultar em ferimentos graves e/ou danos na sua propriedade. Para efectuar uma instalação em suspensão é necessária muita experiência! Respeite os limites de carga, utilize materiais de instalação aprovados e inspeccione a unidade instalada regularmente de forma a assegurar a segurança.

- Certifique-se que sob a área de instalação da unidade não irão passar pessoas durante a instalação e manutenção.
- Coloque esta unidade num local arejado, afastada de materiais inflamáveis e/ou líquidos. Esta unidade deverá ser instalada a **pelos menos 50cm** de distância de paredes circundantes.
- A unidade deve ser instalada fora do alcance das pessoas; afastada de áreas onde as pessoas possam passar ou sentar-se.
- Antes de proceder à instalação certifique-se que a área seleccionada pode suportar uma carga mínima de 10 vezes o peso da unidade.
- Na instalação, utilize sempre um cabo de segurança aprovado com capacidade para suportar 12 vezes o peso da unidade. Esta medida de segurança secundária deverá ser instalada de forma a que nenhuma parte da instalação possa cair mais de 20cm caso o ponto de apoio principal ceda.
- A unidade deverá ser fixa firmemente. Uma instalação oscilante pode ser perigosa e não deverá ser efectuada!
- Não cubra os orifícios de ventilação ou a unidade poderá sobreaquecer.
- O utilizador da unidade deverá certificar-se que a instalação é aprovada em termos de segurança e em termos técnicos por uma pessoa qualificada antes de efectuar a primeira utilização. A instalação deverá ser inspeccionada todos os anos por um técnico qualificado de forma a certificar-se que a segurança está assegurada.

INSTRUÇÕES DE FUNCIONAMENTO

- Deverá efectuar pausas regulares no funcionamento de forma a prolongar a duração desta unidade visto que esta não está preparada para uma utilização contínua.
- Não ligue e desligue a unidade em curtos períodos de tempo, irá reduzir a duração da lâmpada.
- A temperatura da superfície da unidade pode alcançar os 85°C. Não toque na cobertura da unidade com mãos descobertas durante o funcionamento.
- Desligue sempre a unidade da corrente quando não a utilizar durante longos períodos de tempo, antes de substituir a lâmpada ou de efectuar a manutenção.
- Caso a unidade apresente problemas sérios de funcionamento, interrompa a utilização da unidade e contacte o seu revendedor imediatamente.
- **Importante:** Nunca olhe directamente para a luz! Não utilize este efeito luminoso na presença de pessoas epiléticas.

1. 1 Unidade em modo Individual:

Importante: o endereço DMX TEM de ser definido para 001. (primeiro interruptor DIP = ON, todos os outros em OFF) Simplesmente conecte a unidade à corrente e ponha alguma música. A unidade irá começar a funcionar automaticamente ao ritmo da música.

2. 2 ou mais unidade em modo Master/Slave:

Conecte 2 ou mais unidades juntas usando cabos de microfone balanceados de boa qualidade. A unidade que não tem cabo conectado à sua entrada irá reagir como Master, as outras serão as unidades Slave.

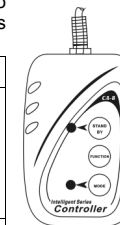
Importante: Na unidade Master o endereço DMX TEM de ser definido para 001. (primeiro interruptor DIP = ON, todos os outros em OFF). **As unidades Slave podem ter qualquer valor DMX mas NÃO o 001!**

Pode inverter o comportamento de uma ou mais unidades slave alterando a posição do interruptor DIP n. 10 nas unidades Slave. Experimente e veja se o efeito se torna melhor. Alterando o interruptor DIP n.10 na unidade Master não terá efeito.

3. Conecte o comando opcional CA-8 para mais controlo:

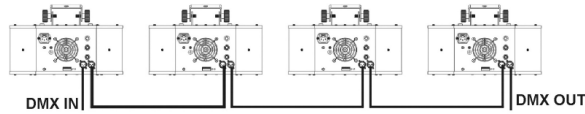
O comando CA-8 apenas pode ser usado em modo standalone ou master/slave. Conecte o controlador à entrada CA-8 da primeira unidade (master). Agora pode controlar todas as unidades conectadas:

Stand by	Desliga as unidades	
Function	1. Strobe em sincronia 2. Strobe em modo 2 máquinas	1. Velocidade rápida no sentido dos ponteiros do relógio / Velocidade média / Veloc. Baixa 2. Velocidade rápida no sentido inverso dos ponteiros do relógio / Velocidade média / Veloc. Baixa
Mode	Som (LED apagado)	Devagar ~ Sem som (LED aceso)



4. Controlado por controlador DMX universal:

O protocolo DMX é um sinal de alta velocidade usado para controlar equipamento inteligente de luz. É necessário ligar em série o vosso controlador DMX a todas as unidades conectadas com um cabo balanceado de boa qualidade



Para prevenir comportamento estranho dos efeitos de luz, devido a interferências, deverá usar uma resistência de 90Ω a 120Ω no final da série. Nunca utilize divisor de cabo Y, isto simplesmente não funciona!

Verifique se todas as unidades estão ligadas á corrente.

Cada efeito de luz na série precisa de ter o seu próprio endereço inicial para saber quais os comandos do controlador que tem de decodificar. Na próxima secção irá aprender como configurar os endereços DMX.



• Como definir os interruptores DIP para obter o endereço inicial correcto:

Na traseira do Phaeton irá ver que a cada um dos 9 primeiros interruptores DIP corresponde um valor DMX (interruptor DIP 10 não é usado):

Dip	#1	#2	#3	#4	#5	#6	#7	#8	#9
Value	1	2	4	8	16	32	64	128	256

Poderá combinar os valores destes interruptores DIP de forma a obter qualquer endereço inicial entre 1 e 512:

- Endereço inicial = 01 → Interruptor 1=ON valores: 1
- Endereço inicial = 05 → Interruptor 1+3=ON valores: 1+4 = 5
- Endereço inicial = 09 → Interruptor 1+4=ON valores: 1+8 = 9
- Endereço inicial = 13 → Interruptor 1+3+4=ON valores: 1+4+8 = 13
- Endereço inicial = 62 → Interruptor 2+3+4+5+6=ON valores: 2+4+8+16+32 = 62

• CONFIGURAÇÃO DMX

DMX512 Configuration	
Ch1	Ch2
Rotation	Lamp On/Off/Strobe
192-255 Fast Slow	248-255 Lamp ON Fast speed strobe
128-191 Slow Fast	16-247 Lightning bolts
0-127 Index 360° Index 0°	8-15 Slow speed strobe Lamp ON 0-7 Lamp OFF

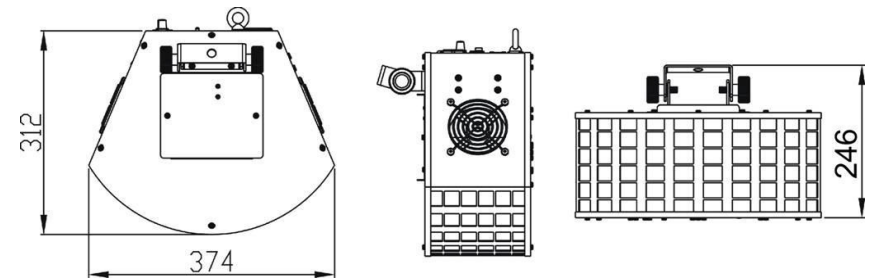
MANUTENÇÃO

- Certifique-se que sob a área de instalação da unidade não irão passar pessoas durante a manutenção.
- Desligue o cabo de alimentação da corrente e aguarde que a unidade arrefeça.
- Durante a inspeção deverá verificar os seguintes pontos:**
- Todos os parafusos utilizados nas peças da unidade e na instalação deverão estar apertados firmemente e não poderão estar corroídos.
- A cobertura da unidade, os pontos de fixação e as áreas de instalação (tecto, armação, etc.) não deverão apresentar qualquer deformação.
- Caso uma lente apresente danos visíveis como fendas ou riscos profundos, deverá ser substituída imediatamente.
- O cabo de alimentação deverá estar em perfeitas condições e deverá ser substituído assim que for detectado o mais pequeno dano.
- As ventoinhas de arrefecimento (caso existam) e os orifícios de ventilação deverão ser limpos todos os meses de modo a evitar que unidade sobreaqueça.
- Utilize um aspirador ou um compressor de ar para limpar o interior da unidade uma vez por ano.
- De forma a otimizar a projecção de luz, limpe as lentes ópticas internas e externas e/ou espelhos periodicamente. A regularidade das limpezas depende do ambiente em que está instalada a unidade: um ambiente húmido, com fumo ou poeirento dará origem a uma maior acumulação de impurezas nas ópticas da unidade.
 - Utilize um pano macio e um limpa-vidros normal na limpeza da unidade.
 - Seque sempre as peças cuidadosamente.
 - Limpe as ópticas externas pelo menos uma vez em cada 30 dias.
 - Limpe as ópticas internas pelo menos uma vez em cada 90 dias.

Atenção: Recomendamos vivamente que a limpeza do interior da unidade seja efectuada por pessoal qualificado!

ESPECIFICAÇÕES

- Fonte de Alimentação:** AC 230V, 50Hz
- Fusível:** 250V 10A Fusão Lenta (20mm vidro)
- Controlo de som:** Microfone interno
- Lâmpada:** Circular HX185 800W/240V
- Dimensões:** 374 x 312 x 246mm
- Peso:** 7,6 kg



Estas informações estão sujeitas a alterações sem aviso prévio
 Pode fazer download da versão mais recente deste manual no nosso site: www.beglec.com