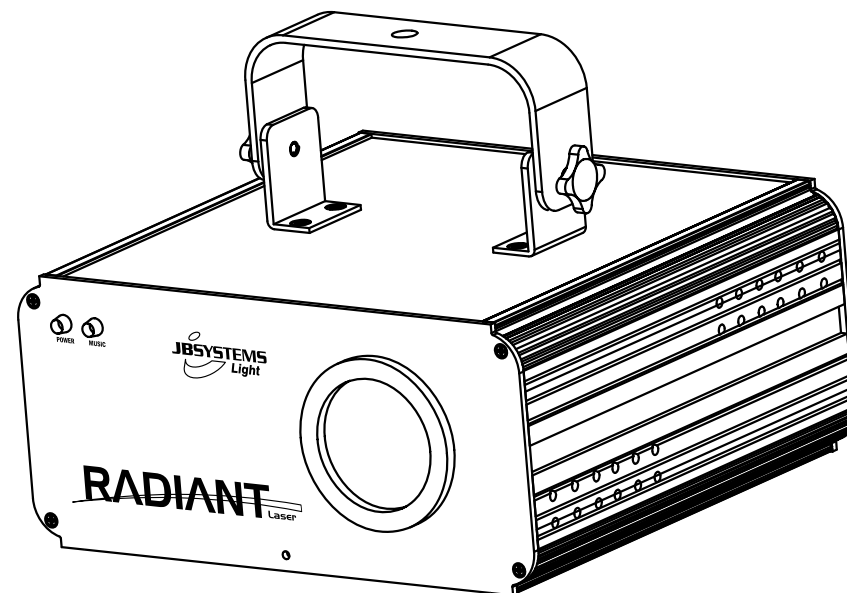


RADIANT Laser



Operation Manual EN
Mode d'emploi FR
Gebruiksaanwijzing NL
Bedienungsanleitung DE
Manual de instrucciones ES
Manual do utilizador PT

WWW.BEGLEC.COM

Copyright © 2011 by BEGLEC NV

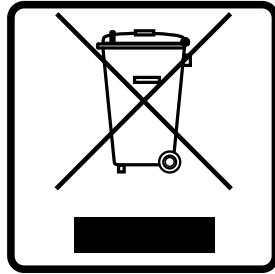
t Hofveld 2C ~ B1702 Groot-Bijgaarden ~ Belgium

Reproduction or publication of the content in any manner, without express permission of the publisher, is prohibited.



Version: 1.1





EN - DISPOSAL OF THE DEVICE

Dispose of the unit and used batteries in an environment friendly manner according to your country regulations.

FR - DÉCLASSER L'APPAREIL

Débarrassez-vous de l'appareil et des piles usagées de manière écologique Conformément aux dispositions légales de votre pays.

NL - VERWIJDEREN VAN HET APPARAAT

Verwijder het toestel en de gebruikte batterijen op een milieuvriendelijke manier conform de in uw land geldende voorschriften.

DU - ENTSORGUNG DES GERÄTS

Entsorgen Sie das Gerät und die Batterien auf umweltfreundliche Art und Weise gemäß den Vorschriften Ihres Landes.

ES - DESHACERSE DEL APARATO

Reciclar el aparato y pilas usadas de forma ecologica conforme a las disposiciones legales de su pais.

PT - COMO DESFAZER-SE DA UNIDADE

Tente reciclar a unidade e as pilhas usadas respeitando o ambiente e em conformidade com as normas vigentes no seu país.

OPERATION MANUAL

Thank you for buying this JB Systems® product. To take full advantage of all possibilities and for your own safety, please read these operating instructions very carefully before you start using this unit.

FEATURES

This unit is radio-interference suppressed. This product meets the requirements of the current European and national guidelines. Conformity has been established and the relevant statements and documents have been deposited by the manufacturer.

- This device was designed to produce decorative effect lighting and is used in light show systems.
- The best of both worlds: a traditional 2 color laser + laser burst effects combined in one unit!
- Fabulous preprogrammed laser shows for all kinds of applications: lounge bar, discotheque, mobile DJ, ...
- Class 3B laser based on 40mW 532nm green + 200mW 450nm blue laser.
- The color of the beams changes all the time using laser blanking technology.
- Several working modes:
 - DMX-control: 1channel for easy operation or 10 channels for full control
 - Standalone: sound activated (internal mic) or automatic
 - Master/slave: wonderful synchronized shows
 - Optional CA-8 remote controller available
- Built-in microphone
- 3-digit LED display for easy menu navigation
- Optional CA-8 controller for additional functions available
- Key actuated on/off switch and emergency switch (interlock) input for additional safety
- Complies to EN/IEC 60825-1 Ed2, 2007-03 for Laser Safety

BEFORE USE

- Before you start using this unit, please check if there's no transportation damage. Should there be any, do not use the device and consult your dealer first.
- **Important:** This device left our factory in perfect condition and well packaged. It is absolutely necessary for the user to strictly follow the safety instructions and warnings in this user manual. Any damage caused by mishandling is not subject to warranty. The dealer will not accept responsibility for any resulting defects or problems caused by disregarding this user manual.
- Keep this booklet in a safe place for future consultation. If you sell the fixture, be sure to add this user manual.

Check the contents:

Check that the carton contains the following items:

- RADIANT LASER unit
- 2 keys (for key switch)
- Mains cable
- Operating instructions

SAFETY INSTRUCTIONS:



CAUTION: To reduce the risk of electric shock, do not remove the top cover. No user-serviceable parts inside. Refer servicing to qualified service personnel only.



The lightning flash with arrowhead symbol within the equilateral triangle is intended to alert the user or the presence of un-insulated "dangerous voltage" within the product's enclosure that may be of sufficient magnitude to constitute a risk of electric shock.



The exclamation point within the equilateral triangle is intended to alert the user to the presence of important operation and maintenance (servicing) instructions in the literature accompanying this appliance.



This symbol means: indoor use only.



This symbol means: Read instructions.



This symbol determines: the minimum distance from lighted objects. The minimum distance between light-output and the illuminated surface must be more than 1 meter.

- To protect the environment, please try to recycle the packing material as much as possible.
- A new light effect sometimes causes some unwanted smoke and/or smell. This is normal and disappears after some minutes.
- To prevent fire or shock hazard, do not expose this appliance to rain or moisture.
- To avoid condensation to be formed inside, allow the unit to adapt to the surrounding temperatures when bringing it into a warm room after transport. Condense sometimes prevents the unit from working at full performance or may even cause damages.
- This unit is for indoor use only.
- Don't place metal objects or spill liquid inside the unit. Electric shock or malfunction may result. If a foreign object enters the unit, immediately disconnect the mains power.
- Locate the fixture in a well ventilated spot, away from any flammable materials and/or liquids. The fixture must be fixed at least 50cm from surrounding walls.
- Don't cover any ventilation openings as this may result in overheating.
- Prevent use in dusty environments and clean the unit regularly.
- Keep the unit away from children.
- Inexperienced persons should not operate this device.
- The save ambient temperature is between 15° & 40°C. Don't use this unit at higher ambient temperatures.
- Make sure the area below the installation place is free from unwanted persons during rigging, de-rigging and servicing.
- Always unplug the unit when it is not used for a longer time or before replacing the bulb or start servicing.
- The electrical installation should be carried out by qualified personal only, according to the regulations for electrical and mechanical safety in your country.
- Check that the available voltage is not higher than the one stated on the rear panel of the unit.
- The power cord should always be in perfect condition. Switch the unit immediately off when the power cord is squashed or damaged. It must be replaced by the manufacturer, its service agent or similarly qualified persons in order to avoid a hazard.
- Never let the power-cord come into contact with other cables!
- This fixture must be earthed to in order comply with safety regulations.
- Don't connect the unit to any dimmer pack.
- Always use an appropriate and certified safety cable when installing the unit.
- In order to prevent electric shock, do not open the cover. Apart from the lamp and mains fuse there are no user serviceable parts inside.
- **Never** repair a fuse or bypass the fuse holder. **Always** replace a damaged fuse with a fuse of the same type and electrical specifications!
- In the event of serious operating problems, stop using the fixture and contact your dealer immediately.
- The housing and the lenses must be replaced if they are visibly damaged.
- Please use the original packing when the device is to be transported.
- Due to safety reasons it is prohibited to make unauthorized modifications to the unit.

Important: Never look directly into the light source! Don't use the effect in the presence of persons suffering from epilepsy.

LASER SAFETY INSTRUCTIONS:

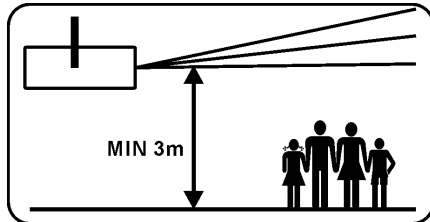
- According to the EN/IEC 60825-1 Ed2, 2007-03 regulations, this laser falls under the classification 3B. Direct eye exposure can be dangerous.



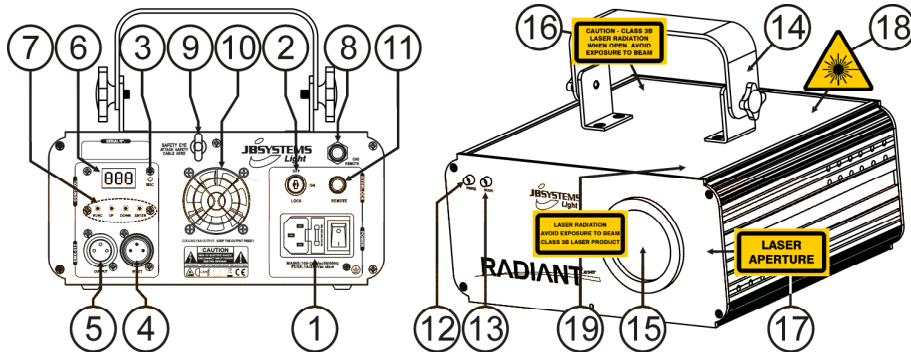
DANGER: LASER RADIATION !
 Avoid direct eye exposure! Laser radiation can cause eye damage and/or skin damage. All protective measures for a safe operation of this laser must be applied.



- This product is a so-called show laser, emitting radiation with a wavelength spectrum between 400 and 700 nm and producing lighting effects for shows.
 - Laser Light is different from any other light source with which you may be familiar. The light from this product can potentially cause eye injury if not set up and used properly. Laser light is thousands of times more concentrated than light from any other kind of light source. This concentration of light power can cause instant eye injuries, primarily by burning the retina (the light sensitive portion at the back of the eye). Even if you cannot feel "heat" from a laser beam, it can still potentially injure or blind you or your audience.
 - Even very small amounts of laser light are potentially hazardous even at long distances.
 - Never look into the laser aperture or laser beams
 - Never direct the laser beam to people or animals and never leave this device running unattended.
 - This laser may only be used for shows. The operation of a class 3B show laser is only allowed if the operation is controlled by a skilled and well-trained operator.
 - Depending on the classification, operating a laser product can produce laser radiation that may cause permanent eye damage and/or skin damage. The legal instructions for using a laser product vary from country to country. The user must always inform himself on the legal instructions valid in his country and apply them to his situation.
 - The parent document and cornerstone of laser safety standards ANSI Z136.1 (2007) provides guidance for the safe use of lasers and laser systems by defining control measures for each of the four laser classes. This valuable document can be obtained from www.laserinstitute.org
- Please note that **JB SYSTEMS** cannot be made liable for damages caused by incorrect installations and unskilled operation!



DESCRIPTION:



- MAINS INPUT:** with IEC socket and integrated fuse holder, connect the supplied mains cable here.
- ON/OFF KEY ACTIVATED SWITCH:** used to switch the unit on/off. Use the keys to make sure only a skilled operator is able to switch the laser on.

- INTERNAL MICROPHONE:** The built-in microphone is used to synchronize the laser show to the beat of the music.
- DMX INPUT:** 3pin male XLR-connector used to connect universal DMX-cables. This input receives instructions from a DMX-controller.
- DMX OUTPUT:** 3pin female XLR-connector used to connect the RADIANT LASER with the next unit in the DMX chain.
- DISPLAY:** shows the selected DMX address when the unit is in DMX-mode. Apart from DMX-mode you can also select 4 other working modes, see further to learn more about these modes.
- CONTROL PANEL:** Used to select the different functions of the laser, see further to learn how to operate the unit.
- REMOTE CONTROLLER INPUT:** Input for the CA-8 remote hand controller, see further for more information on this issue.
- SAFETY EYE:** used to attach a safety cable when the unit is rigged (see paragraph "overhead rigging")
- COOLING FAN:** used to cool the components inside the enclosure. Make sure to never cover this fan outlet!
- INTERLOCK input:** used to connect the optional emergency stop switch (see picture). When you push this switch the laser beam will disappear immediately.



IMPORTANT! For your own safety we strongly recommend to connect this optional switch!
 THERE WILL BE NO LASER OUTPUT WHEN THE INTERLOCK INPUT IS NOT USED!
 Temporary solution: install the spare connector on the laser. (see picture)

- POWER LED:** indicates that the unit is switched on.
- SOUND LED:** flashes to the sound of the music detected by the internal microphone.
- HANGING BRACKET:** with 2 knobs on both sides to fasten the unit and a mounting hole to fix a mounting hook.
- LASER OUTPUT:** Here the laser beam leaves the enclosure, make sure to NEVER look inside the unit through this opening while the laser effect is switched on!
- WARNING LABEL:** "Caution – Class 3B laser. Laser Radiation when open. Avoid exposure to beam."
- WARNING LABEL:** "Laser Aperture"
- LASER WARNING SIGN:** warns against a potentially dangerous laser when not used by skilled operators.
- WARNING LABEL:** "Laser Radiation. Avoid exposure to beam. Class 3B laser product"



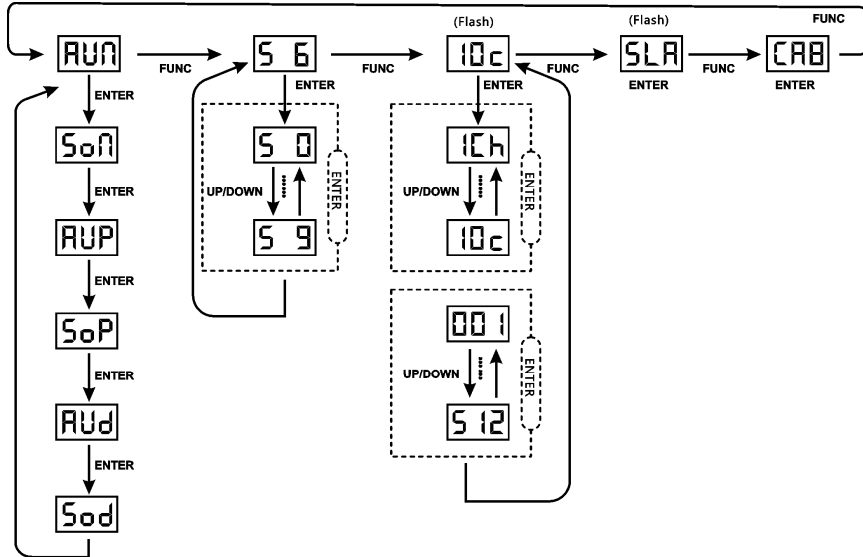
OVERHEAD RIGGING

- Important:** The installation must be carried out by qualified service personal only. Improper installation can result in serious injuries and/or damage to property. Overhead rigging requires extensive experience! Working load limits should be respected, certified installation materials should be used, the installed device should be inspected regularly for safety.
- Make sure the area below the installation place is free from unwanted persons during rigging, de-rigging and servicing.
- Locate the fixture in a well ventilated spot, far away from any flammable materials and/or liquids. The fixture must be fixed **at least 50cm** from surrounding walls.
- The device should be installed out of reach of people and outside areas where persons may walk by or be seated.
- Before rigging make sure that the installation area can hold a minimum point load of 10times the device's weight.
- Always use a certified safety cable that can hold 12times the weight of the device when installing the unit. This secondary safety attachment should be installed in a way that no part of the installation can drop more than 20cm if the main attachment fails.
- The device should be well fixed; a free-swinging mounting is dangerous and may not be considered.
- Don't cover any ventilation openings as this may result in overheating.
- The operator has to make sure that the safety-relating and machine-technical installations are approved by an expert before using them for the first time. The installations should be inspected every year by a skilled person to be sure that safety is still optimal.



CAUTION EYEDAMAGE: Always position the laser in a way that prevents the audience from looking directly into the laser beams. The installation should assure that the beam will not strike the audience.

HOW TO SET UP AND CONTROL THE UNIT



MUSIC INPUT SENSITIVITY:

The unit works to rhythm of the beat when used in standalone or master/slave mode

To set the input sensitivity, follow these steps:

- Press the FUNC-button until the display shows "S 0" ... "S 9"
- Press the ENTER-button to confirm your choice.
- Use DOWN and UP button to select a value between "S 0" (very low sensitivity) and "S 9" (high sensitivity).
- Once the mode is selected, press the ENTER button save it.

You can operate the unit in 5 ways:

1) MUSIC CONTROLLED MODE:

The laser runs a preprogrammed sequence to the rhythm of the music. Select this mode when only 1 laser is used (standalone) or when the laser is placed as the first (master) unit in a chain with several RADIANT LASERS.

- Press the FUNC-button until the display shows one of the following: SoN, AUN, Sod, AUd, SoP or AUP.
- Now use the UP or DOWN buttons to select:
 - Son (Sound activated random show, containing pattern and grating effects)
 - Sod (Sound activated grating effects show)
 - SoP (Sound activated pattern effects show)
- Press the ENTER-button to confirm your choice.

You can connect several RADIANT LASERS together: just put the first unit of the chain in one of the sound activated effect modes and all other units in "Slave mode" (display shows "SLA") to make them all work in perfect sync!

Note: When no music is detected, the laser output will be shut off (blackout).

2) FULL AUTOMATIC MODE:

The laser automatically runs a preprogrammed sequence. Select this mode when only 1 laser is used (standalone) or when the laser is placed as the first (master) unit in a chain with several RADIANT LASERS.

- Press the FUNC-button until the display shows one of the following: SoN, AUN, Sod, AUd, SoP or AUP.
- Now use the UP or DOWN buttons to select:
 - AUn (Automatically running random show, containing pattern and grating effects)
 - AUd (Automatically running grating effects show)
 - AUP (Automatically running pattern effects show)

- Press the ENTER-button to confirm your choice.

The laser automatically runs a preprogrammed sequence.

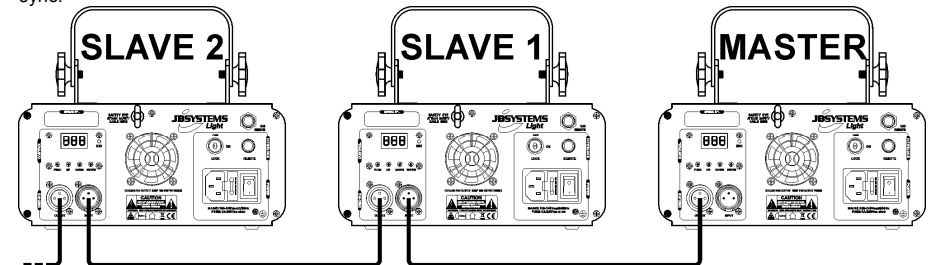
You can connect several RADIANT LASERS together: just put the first unit of the chain in one of the automatic effect modes and all other units in "Slave mode" (display shows "SLA") to make them all work in perfect sync!

3) SLAVE MODE:

The laser follows the instructions given by the first Radiant laser (master) in the chain.

- Connect the DMX input of the laser to the DMX output of the previous laser in the chain.
- Press the FUNC-button until the display shows "SLA"
- Press the ENTER-button to confirm your choice.

You can connect several Radiant lasers together. Please put the first unit of the chain in "Music or automatic mode" and all other units in "Slave mode" (display shows "SLA") to make them all work in perfect sync!



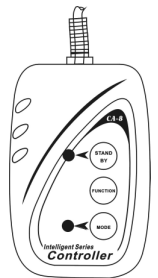
4) EASY CONTROLLER MODE:

An optional CA-8 controller can be connected so you can control the laser from a distance. When several Radiant lasers are connected in master/slave, you should connect the CA-8 controller to the first unit in the chain. All units will follow the instructions given by the CA-8 remote.

- Connect the CA-8 controller to the remote controller input (8) on the back.
- Press the FUNC-button until the display shows "CA8"
- Press the ENTER-button to confirm your choice.

These are the functions available on the CA-8 controller:

- **STANDBY button:** used to put the laser in blackout (no output). The standby LED is on during blackout.
- **FUNCTION button:** used to select the color (original → green → Blue → green + Blue → original)
- **MODE button:** used to toggle two modes:
 - **MODE LED ON:** Laser is in sound mode
 - **MODE LED OFF:** Laser is in automatic mode

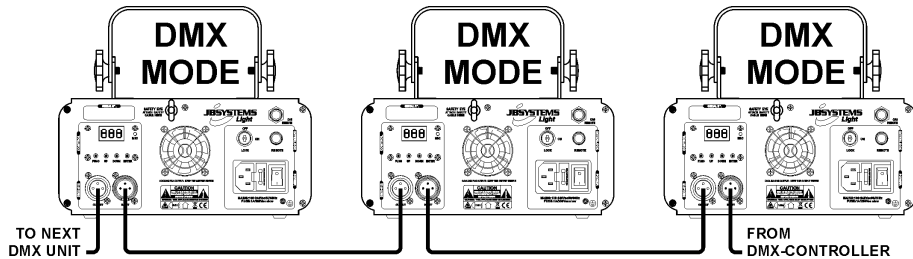


5) DMX512 MODE:

The laser can be controlled by any standard DMX-controller in 2 different DMX-modes:

- **1 CHANNEL MODE:** for extremely easy setup and use! (display shows "1Ch")
- **10 CHANNEL MODE:** for full control of all possibilities. (display shows "10c")
- Connect the DMX input of the laser to the DMX output of the previous unit in the chain or directly to the DMX-output of your controller.
- Press the FUNC-button until the display shows: "1Ch" or "10C".

- Press the UP/DOWN buttons to select the desiRed DMX-mode. (1Ch or 10c)
 - Press the ENTER-button to confirm your choice.
 - Press the FUNC-button: the 3 digit number on the display starts blinking.
 - Select the desiRed DMX-address
 - Press the ENTER-button to confirm your choice.
- Note:** the display blinks when the unit is in DMX-mode and no DMX-signal is detected.



Some more information on DMX512:

The DMX-protocol is a widely used high speed signal to control intelligent light equipment. You need to "daisy chain" your DMX controller and all the connected light effects with a good quality XLR M/F balanced cable. To prevent strange behavior of the light effects, due to interferences, you must use a 90Ω to 120Ω terminator at the end of the chain. Never use Y-splitter cables, this simply won't work!

Each effect in the chain needs to have its proper starting address so it knows which commands from the controller it has to decode.



1 CHANNEL DMX-CONFIGURATION OF THE LASER:

CHANNEL	VALUE	DESCRIPTION
CH 1 MODES	000-024	Laser OFF (Black out)
	025-059	AUd mode (Auto grating effects show)
	060-099	AUP mode (Auto pattern effects show)
	100-139	AUn mode (Auto grating + pattern effects show)
	140-179	Sod mode (Sound active grating effects show)
	180-219	SoP mode (Sound active pattern effects show)
	220-255	Son mode (Sound active grating / pattern effects show)

10 CHANNEL DMX-CONFIGURATION OF THE LASER:

IMPORTANT REMARK: DMX Channel1 is used to set the different working modes of the laser.

- To use the laser in full 10 channel mode, channel 1 must be set to value 175 or higher.
- Depending on the DMX-values of channel1, 3 different charts can be applied:
 - Value between 175 and 199: see chart "10CH DMX-chart 10-A"
 - Value between 200 and 224: see chart "10CH DMX-chart 10-B"
 - Value between 225 and 255: see chart "10CH DMX-chart 10-C"

CHANNEL	VALUE	DESCRIPTION
CH 1 MODES	000-024	Laser OFF (Black out)
	025-049	AUn mode (Auto grating + pattern effects show)
	050-074	Son mode (Sound active grating / pattern effects show)
	075-099	AUP mode (Auto pattern effects show)
	100-124	SoP mode (Sound active pattern effects show)
	125-149	AUd mode (Auto grating effects show)

150-174	Sod mode (Sound active grating effects show)
175-199	DMX mode with GRATING DOT effects → see 10CH DMX-table 10-A
200-224	DMX mode with GRATING PATTERN effects → see 10CH DMX-table 10-B
225-255	DMX mode with traditional pattern effects → see 10CH DMX-table 10-C

10CH DMX-chart 10-A (DMX CHANNEL1 set between values 175 and 199)

CHANNEL	VALUE	DESCRIPTION
CH 2 X AXIS MOVING	000-127	128 different fixed positions on X-axis
	128-191	Clockwise moving
	192-255	Anticlockwise moving
CH 3 Y AXIS MOVING	000-127	128 different fixed positions on Y-axis
	128-191	Clockwise moving
	192-255	Anticlockwise moving
CH 4 COLORS	000-009	Laser blackout
	010-063	Blue + green ON or Blue & green strobing
	064-127	Blue ON or Blue strobe & green OFF
	128-191	Green ON or green strobe & Blue OFF
	192-255	Blue + green ON or Blue & green strobing alternately
CH 5 STROBE	000-009	No Strobing
	010-249	Strobing (low to high speed)
	250-255	Strobing to the music
CH 6 GRATING ROTATION	000-075	Clockwise rotation (low to high speed)
	076-150	No rotation
	151-255	Anticlockwise rotation (low to high speed)
CH7 → CH10		NOT USED

10CH DMX-chart 10-B (DMX CHANNEL1 set between values 200 and 224)

CHANNEL	VALUE	DESCRIPTION
CH 2	000-255	11 different grating patterns
CH 3 ZOOMING	000-127	Pattern size: from big (100%) to small (5%)
	128-169	Zooming in (from big to small + from slow to fast)
	170-209	Zooming out (from small to big + from slow to fast)
	210-255	Zooming in & out (from slow to fast)
CH 4 Y AXIS ROLLING	000-127	0° to 359° fixed positions around Y axis
	128-191	Clockwise rolling around Y axis
	192-255	Anticlockwise rolling around Y axis
CH 5 X AXIS ROLLING	000-127	0° to 359° fixed positions around X axis
	128-191	Clockwise rolling around X axis
	192-255	Anticlockwise rolling around X axis
CH 6 Z AXIS ROLLING	000-127	0° to 359° fixed positions around Z axis
	128-191	Clockwise rolling around Z axis
	192-255	Anticlockwise rolling around Z axis
CH 7 X AXIS MOVING	000-127	128 different fixed positions along the X axis
	128-191	Clockwise moving along the X axis
	192-255	Anticlockwise moving along the X axis

CH 8 Y AXIS MOVING	000-127	128 different fixed positions along the Y axis
	128-191	Clockwise moving along the Y axis
	192-255	Anticlockwise moving along the Y axis
CH 9 COLOR	000-016	BLUE
	017-031	GREEN
	032-049	BLUE & GREEN
	050-255	Changing colors
CH 10 GRATING ROTATION	000	No grating rotation
	001-075	Clockwise grating rotation
	076-150	NO grating rotation
	151-255	Anticlockwise grating rotation

10CH DMX-chart 10-C (DMX CHANNEL1 set between values 225 and 255)

CHANNEL	VALUE	DESCRIPTION
CH 2	000-255	11 different standard patterns
CH 3 ZOOMING	000-127	Fixed pattern size: from big (100%) to small (5%)
	128-169	Zooming in (from big to small + from slow to fast)
	170-209	Zooming out (from small to big + from slow to fast)
	210-255	Zooming in & out (from slow to fast)
CH 4 Y AXIS ROLLING	000-127	0° to 359° fixed positions around Y axis
	128-191	Clockwise rolling around Y axis
	192-255	Anticlockwise rolling around Y axis
CH 5 X AXIS ROLLING	000-127	0° to 359° fixed positions around X axis
	128-191	Clockwise rolling around X axis
	192-255	Anticlockwise rolling around X axis
CH 6 Z AXIS ROLLING	000-127	0° to 359° fixed positions around Z axis
	128-191	Clockwise rolling around Z axis
	192-255	Anticlockwise rolling around Z axis
CH 7 X AXIS MOVING	000-127	128 different fixed positions along the X axis
	128-191	Clockwise moving along the X axis
	192-255	Anticlockwise moving along the X axis
CH 8 Y AXIS MOVING	000-127	128 different fixed positions along the Y axis
	128-191	Clockwise moving along the Y axis
	192-255	Anticlockwise moving along the Y axis
CH 9 COLOR	000-016	Original colors
	017-031	BLUE
	032-047	GREEN
	048-062	BLUE + GREEN (CYAN)
	063-160	Changing between Blue and green (from slow to fast)
	161-255	Changing mix of 3 colors (from slow to fast)
CH 10		NOT USED

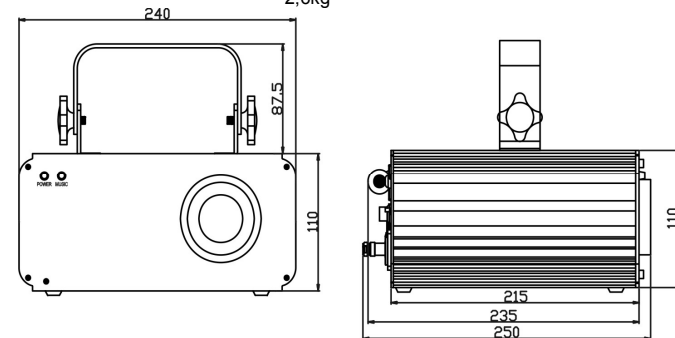
MAINTENANCE

- Make sure the area below the installation place is free from unwanted persons during servicing.
- Switch off the unit, unplug the mains cable and wait until the unit has been cooled down.
- **During inspection the following points should be checked:**
- All screws used for installing the device and any of its parts should be tightly fastened and may not be corroded.
- Housings, fixations and installations spots (ceiling, truss, suspensions) should be totally free from any deformation.
- When an optical lens is visibly damaged due to cracks or deep scratches, it must be replaced.
- The mains cables must be in impeccable condition and should be replaced immediately when even a small problem is detected.
- In order to protect the device from overheat the cooling fans (if any) and ventilation openings should be cleaned monthly.
- The interior of the device should be cleaned annually using a vacuum cleaner or air-jet.
- The cleaning of internal and external optical lenses and/or mirrors must be carried out periodically to optimize light output. Cleaning frequency depends on the environment in which the fixture operates: damp, smoky or particularly dirty surroundings can cause greater accumulation of dirt on the unit's optics.
 - Clean with a soft cloth using normal glass cleaning products.
 - Always dry the parts carefully.
 - Clean the external optics at least once every 30 days.
 - Clean the internal optics at least every 90 days.

Attention: We strongly recommend internal cleaning to be carried out by qualified personnel!

SPECIFICATIONS

- Mains Input:** AC 100~240V, 50/60Hz
- Fuse:** 250V 1A slow blow (20mm glass)
- Total Power consumption:** 30W
- Sound Control:** Internal microphone
- DMX connections:** 3pin XLR male / female
- DMX channels:** 1 or 10 channels
- DMX starting address:** 001 → 512
- Laser Power:** 40mW Green CW laser ($\lambda = 532\text{nm}$)
200mW Blue CW laser ($\lambda = 450\text{nm}$)
- Laser radiation class:** 3B
- Beam diameter @ aperture:** <5mm
- Divergence (each beam):** <2 mrad
- Divergence (total output):** <160°
- Working temperature:** 15°C to 40°C
- Laser Safety Standard:** EN/IEC 60825-1 Ed2, 2007-03
- Size:** see picture below
- Weight:** 2,6kg



Every information is subject to change without prior notice
You can download the latest version of this user manual on our website: www.beglec.com

MODE D'EMPLOI

Merci d'avoir choisi ce produit JB Systems®. Pour votre sécurité et pour une utilisation optimale de toutes les possibilités de l'appareil, lisez attentivement cette notice avant utilisation.

EN VOUS INSCRIVANT POUR LA LETTRE D'INFORMATION VOUS SEREZ TOUJOURS TENU AU COURANT DES DERNIÈRES NOUVELLES CONCERNANT NOS PRODUITS: NOUVEAUTÉS, ACTIONS SPÉCIALES, JOURNÉES PORTES OUVERTES, ETC.
→ SURFEZ SUR: WWW.BEGLEC.COM ←

CARACTERISTIQUES

Cet appareil ne produit pas d'interférences radio. Il répond aux exigences nationales et européennes. La conformité a été établie et les déclarations et documents correspondants ont été déposés par le fabricant.

- Cet appareil a été conçu pour la production d'effets lumière décoratifs et est utilisé dans des spectacles lumineux.
- Voici le meilleur des deux mondes : un laser traditionnel à 2 couleurs, et des effets "laser burst", le tout combiné dans un seul appareil !
- L'appareil renferme à son bord des shows laser préprogrammés aux effets fabuleux qui conviennent pour toutes sortes de situations : bars, discothèques, DJ itinérants, etc ...
- Laser Classe 3B à base d'un laser vert de 40mW 532nm + un laser bleu de 200mW 450nm.
- Plusieurs modes de fonctionnement sont disponibles :
 - Contrôle via DMX : fonctionnement aisé via un seul canal, ou au contraire, via 10 canaux pour un contrôle total ;
 - Mode autonome : activation par le son (via micro interne) ou mode automatique ;
 - Mode maître/esclave : magnifiques shows synchronisés ;
 - En option, une télécommande CA-8 est disponible.
- Ecran LED à 3 caractères permettant une navigation aisée à travers les menus.
- Répond aux normes de sécurité EN/IEC 60825-1 Ed2, 2007-03 en matière de lasers.
- Entrée 'interlock' pour garantir une sécurité maximale.

AVANT UTILISATION

- Avant d'utiliser cet appareil, assurez-vous de l'absence de dommage lié au transport. En cas d'endommagement, n'utilisez pas l'appareil et contactez le vendeur.
- **Important:** Cet appareil a quitté notre usine en parfaite condition et bien emballé. Il est primordial que l'utilisateur suive les instructions de sécurité et avertissements inclus dans ce manuel. La garantie ne s'applique pas en cas de dommage lié à une utilisation incorrecte. Le vendeur ne prend pas la responsabilité des défauts ou de tout problème résultant du fait de n'avoir pas tenu compte des mises en garde de ce manuel.
- Conservez ce manuel dans un endroit sûr pour toute consultation future. Si vous vendez l'appareil, assurez-vous d'y joindre ce manuel également.

Vérifiez le contenu:

Vérifiez si l'emballage contient les articles suivants:

- Un appareil RADIANT LASER
- 2 clés (pour l'interrupteur à clé)
- Câble d'alimentation
- Mode d'emploi

INSTRUCTIONS DE SECURITE:



CAUTION
RISK OF ELECTRIC SHOCK
DO NOT OPEN



ATTENTION: afin de réduire le risque d'électrocution, n'enlevez jamais le couvercle de l'appareil. Il n'y a aucune pièce à l'intérieur de l'appareil que vous puissiez remplacer vous-même. Confiez l'entretien uniquement à des techniciens qualifiés.



La flèche dans un triangle met l'utilisateur en garde contre la présence de haute tension sans isolation dans l'appareil, ce qui peut causer un risque d'électrocution.



Un point d'exclamation dans un triangle prévient de la présence d'instructions relatives au fonctionnement et à la maintenance se trouvant dans le manuel fourni avec l'appareil.



Ce symbole signifie: uniquement pour usage à l'intérieur.



Ce symbole signifie : Lire le mode d'emploi.



Ce symbole représente la distance de recul minimum à respecter, c'est-à-dire, la distance minimum entre le projecteur et la surface à éclairer. Cette distance doit être de plus de 1 mètre.

- Afin de protéger l'environnement, merci de recycler les emballages autant que possible.
- Un effet lumière neuf peut provoquer de la fumée et/ou une odeur non souhaitée, qui devrait disparaître après quelques minutes.
- Afin d'éviter tout risque d'incendie ou de décharge électrique, ne pas exposer cet appareil à la pluie ou à l'humidité.
- Pour éviter la formation de condensation à l'intérieur de l'appareil, patientez quelques minutes pour laisser l'appareil s'adapter à la température ambiante lorsqu'il arrive dans une pièce chauffée après le transport. La condensation empêche l'appareil de fonctionner manière optimale, et elle peut même causer des dommages.
- Cet appareil est destiné à une utilisation à l'intérieur uniquement.
- Ne pas insérer d'objet métallique ou renverser de liquide dans l'appareil. Aucun objet contenant un liquide, tels que des vases, ne peut être placé sur cet appareil. Cela risquerait de provoquer une décharge électrique ou un dysfonctionnement. Si un corps étranger est introduit dans l'appareil, déconnectez immédiatement de la source d'alimentation.
- Aucune source de flamme nue, telle que des bougies allumées, ne peut être placée sur l'appareil.
- Placez l'appareil dans un endroit bien ventilé, éloigné de tout matériau ou liquide inflammable. L'appareil doit être fixé à 50cm minimum des murs.
- Ne pas couvrir les orifices de ventilation, un risque de surchauffe en résulterait.
- Ne pas utiliser l'appareil dans un environnement poussiéreux et le nettoyer régulièrement.
- Ne pas laisser l'appareil à portée des enfants.
- Les personnes non expérimentées ne doivent pas utiliser cet appareil.
- La température ambiante autorisée va de 15° à 40°. Ne pas l'utiliser au-delà de cette température.
- Assurez-vous que la zone au-dessous du lieu d'installation ne comporte pas de personnes non concernées pendant le montage, le démontage et les opérations de maintenance.
- Débranchez toujours l'appareil si vous ne l'utilisez pas de manière prolongée avant de changer une ampoule ou d'entreprendre des réparations.
- Les installations électriques ne peuvent être faites que par du personnel qualifié et conformément aux règlements de sécurité électrique et mécanique en vigueur dans votre pays.
- Assurez-vous que la tension d'alimentation de la source d'alimentation de la zone dans laquelle vous vous trouvez ne dépasse pas celle indiquée à l'arrière de l'appareil.
- Le cordon d'alimentation doit toujours être en parfait état. Mettez immédiatement l'unité hors tension si le cordon devait être écrasé ou endommagé. Pour éviter tout risque de choc électrique, le cordon doit être remplacé par le constructeur, son agent ou un technicien qualifié.
- Ne laissez jamais le cordon d'alimentation entrer en contact avec d'autres câbles !
- L'appareil doit être à la masse selon les règles de sécurité.
- Ne pas connecter l'unité à un variateur de lumière.
- Utilisez toujours des câbles appropriés et certifiés lorsque vous installez l'appareil.
- Pour éviter toute décharge électrique, ne pas ouvrir l'appareil. En dehors des ampoules et du fusible principal, il n'y a pas de pièces pouvant être changées par l'utilisateur à l'intérieur.
- **Ne jamais réparer ou court-circuiter un fusible. Remplacez systématiquement un fusible endommagé par un fusible de même type et ayant les mêmes spécifications électriques !**

- En cas de problèmes de fonctionnement sérieux, arrêtez toute utilisation de l'appareil et contactez votre revendeur immédiatement.
- La carrosserie et les lentilles doivent être remplacées si elles sont visiblement endommagées.
- Utilisez l'emballage d'origine si l'appareil doit être transporté.
- Pour des raisons de sécurité, il est interdit d'apporter une quelconque modification à l'unité non spécifiquement autorisée par les parties responsables.

Important: Ne jamais fixer directement la source de lumière ! Ne pas utiliser d'effets en présence de personnes souffrant d'épilepsie.

INSTRUCTIONS DE SECURITE LASER:

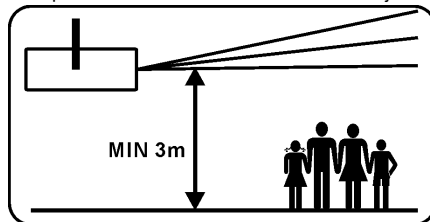
- Selon la réglementation EN/IEC 60825-1 Ed2, 2007-03 ce laser fait partie de la classe 3B. Une exposition directe des yeux au faisceau peut être dangereux.



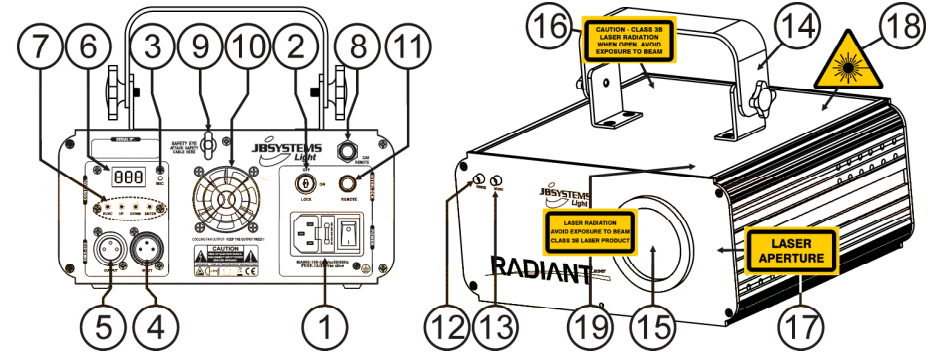
DANGER: RADIATIONS LASER !
Évitez d'exposer les yeux directement au laser! Les radiations Laser peuvent endommager les yeux et/ou la peau. Toutes les mesures de protection doivent être appliqués pour des raisons de sécurité.



- Ce produit est ce qu'on appelle un laser de spectacle, émettant des radiations avec un spectre de longueurs d'ondes situé entre 400 et 700 nm et produit des effets lumière pour les spectacles.
 - La lumière diffusée par les lasers est différente de tout autre type de source lumineuse qui vous est familier. La lumière diffusée par un tel produit peut éventuellement causer des dommages aux yeux si elle n'est pas réglée et utilisée de la manière adéquate. La lumière d'un rayon laser est des milliers de fois plus concentrée que la lumière produite par n'importe quelle autre source de lumière. Cette concentration de puissance lumineuse peut occasionner des dommages irréversibles et instantanés aux yeux, et ce, essentiellement en brûlant la rétine (la partie sensible à la lumière située à l'arrière de la cavité oculaire). Même si on ne sent aucune impression de "chaleur" venant d'un rayon laser, il est donc capable de blesser, voire de rendre aveugle son utilisateur et/ou son public.
 - Même de faibles doses de rayon laser sont potentiellement dangereuses, même sur de longues distances.
 - Ne regardez donc JAMAIS l'orifice d'où provient le rayon laser ou le rayon lui-même.
 - Ne dirigez jamais le faisceau laser directement sur des personnes ou animaux et ne laissez jamais fonctionner l'appareil sans surveillance.
 - Ce laser peut uniquement être utilisé pour des spectacles. L'utilisation de lasers classe 3B est uniquement autorisé si il est manipulé par des opérateurs qualifiés bien entraînés.
 - Dépendant de sa catégorie, l'utilisation d'un laser peut produire des radiations qui endommagent de façon permanente les yeux et/ou la peau. Les lois sur l'utilisation d'un produit laser varie d'un pays à l'autre. L'utilisateur doit toujours s'informer et appliquer les législations et les mesures de sécurité en rigueur dans son pays.
 - La documentation de base et la pierre angulaire des standards de sécurité relatifs aux rayons lasers (ANSI Z136.1 - 2007) peuvent servir de guides quant à l'utilisation des rayons lasers et des systèmes basés sur les lasers en définissant des mesures de contrôle pour chacune des quatre classes de lasers. On peut obtenir ce précieux document sur le site www.laserinstitute.org
- JB SYSTEMS** ne peut en aucun cas être tenu comme responsable aux dommages causés par des installations incorrectes et/ou par des opérateurs non qualifiés!



DESCRIPTION:



1. **ALIMENTATION SECTEUR D'ENTRÉE:** avec une prise IEC avec fusible incorporé, connectez les câbles d'alimentations fournis à cette prise.
2. **INTERRUPTEUR À CLÉ ON/OFF:** utilisé pour allumer / éteindre l'appareil. Utilisez les clés pour vous assurer que seulement un opérateur expérimenté pourra allumer le laser.
3. **MICROPHONE INTERNE:** Le microphone incorporé est utilisé pour synchroniser le show laser selon le rythme de la musique.
4. **ENTRÉE DMX:** Connecteur XLR mâle à 3 broches utilisé pour connecter les câbles universels DMX. Cette entrée reçoit les instructions du contrôleur DMX.
5. **SORTIE DMX:** Connecteur XLR femelle à 3 broches utilisé pour connecter le RADIANT LASER avec l'appareil suivant de la chaîne DMX.
6. **AFFICHAGE:** Affiche l'adresse DMX sélectionnée quand l'appareil est en mode DMX. Vous pouvez également sélectionner 4 modes de fonctionnement. Voyez plus loin pour plus d'informations.
7. **PANNEAU DE CONTRÔLE:** Est utilisé pour sélectionner les différentes fonctions du laser. Voir plus loin pour plus d'informations.
8. **ENTRÉE POUR LE CONTRÔLEUR À DISTANCE :** Entrée destinée au CA-8, le contrôleur manuel à distance, reportez vous aux chapitres suivants concernant ce contrôleur
9. **CEIL DE SÉCURITÉ:** utilisé pour attacher un câble de sécurité quand l'appareil est suspendu. (voir paragraphe "montage en hauteur").
10. **VENTILATEUR DE REFROIDISSEMENT:** utilisé pour refroidir les composants à l'intérieur de l'appareil. Assurez-vous de ne jamais couvrir cette évacuation d'air!
11. **Entrée INTERLOCK:** donne la possibilité de relier un commutateur d'arrêt d'urgence optionnel. En poussant ce commutateur, le faisceau laser se coupe immédiatement.



IMPORTANT! Pour votre sécurité nous vous conseillons d'utiliser ce commutateur optionnel! IL N'Y AURA PAS DE RAYON LASER LORSQUE L'ENTRÉE «INTERLOCK» N'EST PAS UTILISÉE!
Solution temporaire: installer le connecteur de recharge sur le laser. (voir photo)

12. **LED D'ALIMENTATION:** indique que l'appareil est allumé.
13. **LED POUR LE SON:** clignote en fonction du son de la musique détecté par le microphone interne.
14. **SUPPORT:** avec 2 vis de serrage sur les côtés pour accrocher l'appareil et un trou de fixation pour fixer un crochet de montage.
15. **SORTIE LASER:** À cet endroit le laser sort de l'appareil, assurez-vous de NE JAMAIS REGARDER à l'intérieur de l'appareil par cette ouverture pendant que l'effet laser est allumé !
16. **ÉTIQUETTE ATTENTION:** "Attention – Laser Classe 3B. Radiation Laser si ouvert. Évitez l'exposition aux rayons laser."
17. **ÉTIQUETTE AVERTISSEMENTS:** "Ouverture Laser"
18. **SYMBOLE D'AVERTISSEMENT POUR LE LASER:** mets en garde contre un laser potentiellement dangereux s'il n'est pas utilisé par les opérateurs spécialisés.
19. **ÉTIQUETTE DANGER:** "Radiation Laser. Évitez l'exposition aux rayons laser. Produit Laser Classe 3B".



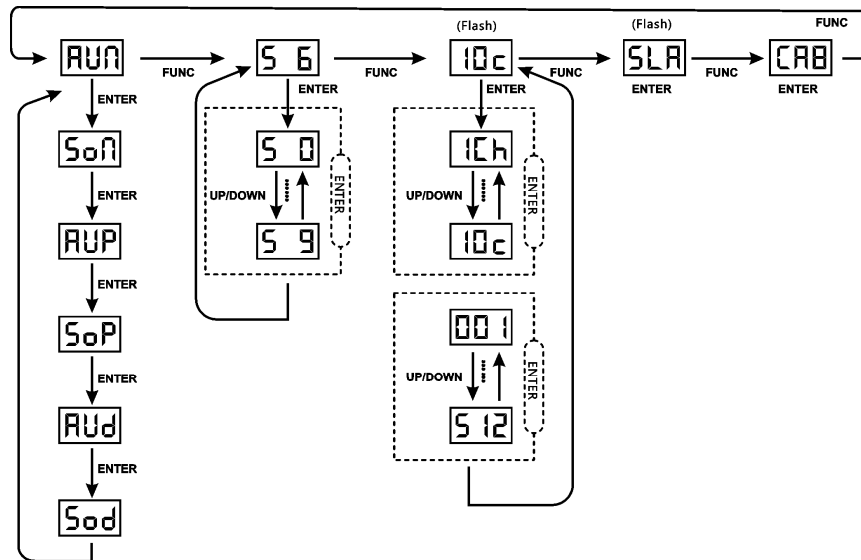
INSTALLATION EN HAUTEUR

- **Important:** L'installation doit être faite par du personnel qualifié uniquement. Une installation incorrecte peut causer des blessures sévères et/ou endommager l'appareil. L'installation en hauteur exige de l'expérience ! Les limites de charge doivent être respectées, du matériel d'installation certifié doit être utilisé, et l'appareil installé doit subir des inspections de sécurité régulièrement.
- Assurez-vous que la zone au-dessous du lieu d'installation ne comporte pas de personnes indésirables lors de l'installation, la désinstallation ou la maintenance.
- Placez l'appareil dans un endroit bien ventilé, éloigné de tout matériau ou liquide inflammable. L'appareil doit être fixé à **50 cm minimum** des murs aux alentours.
- L'appareil doit être hors de portée du public et en dehors des zones de passage de personnes ou des zones où le public est installé.
- Avant l'installation assurez-vous que la zone d'installation supporte un point localisé minimum de 10 fois le poids de l'appareil.
- Utilisez systématiquement un câble de sécurité qui peut supporter 12 fois le poids de l'appareil lors de l'installation. Ce câble de sécurité secondaire doit être installé de manière à ce qu'aucune partie de l'appareil ne puisse descendre de plus de 20 cm si le support principal tombe.
- L'appareil doit être bien fixé, un montage à balancement est dangereux et ne devrait pas être considéré !
- Ne pas couvrir les ouvertures de ventilation pour éviter tout risque de surchauffe.
- L'utilisateur doit s'assurer que les installations techniques et de sécurité sont bien approuvées par un expert avant la première utilisation. Les installations doivent être inspectées chaque année par du personnel qualifié pour assurer une sécurité optimale.



PRUDENCE, ENDOMMAGEMENT DES YEUX: Positionnez toujours le laser de tel façon que le public ne peut regarder directement dans le faisceau laser. Assurez vous que le faisceau ne « touchera » pas le public.

COMMENT REGLER ET UTILISER LE LASER



SENSIBILITÉ DU MICRO:

L'appareil fonctionne au rythme de la musique quand il est utilisé en mode autonome ou en mode maître/esclave

Suivez les pas suivants pour régler la sensibilité du micro:

- Appuyez sur le bouton FUNC jusqu'à ce que l'écran affiche "S 0" ... "S 9"
- Appuyez sur la touche ENTER pour confirmer votre choix.
- Utilisez les touches DOWN et UP pour sélectionner une valeur située entre "S 0" (très faible sensibilité) et "S 9" (haute sensibilité).
- Dès que le mode de fonctionnement est affiché à l'écran, appuyez sur la touche ENTER pour confirmer votre choix.

Vous pouvez utiliser l'appareil selon 5 façons:

1) MODE CONTROLÉ PAR LA MUSIQUE :

Le laser exécute une séquence préprogrammée en suivant le rythme de la musique. Sélectionnez ce mode quand il n'y a qu'un laser en présence (mode autonome) ou quand le laser est placé en tête d'une chaîne de plusieurs RADIANT LASER, et qu'il remplit donc le rôle de master.

- Appuyez sur le bouton FUNC jusqu'à ce que l'écran affiche SoN, AUN, Sod, AUd, SoP or AUP.
- Utilisez les touches UP et DOWN pour sélectionner :
 - Son (show aléatoire activé par le son et disposant d'effets de diffraction)
 - Sod (show activé par le son et disposant d'effets de diffraction)
 - SoP (show de motifs lumineux activés par le son)

- Appuyez sur la touche ENTER pour confirmer votre choix.

Il est possible de connecter plusieurs RADIANT LASER ensemble : il suffit de régler le premier élément de la chaîne dans un des modes qui réagissent au son de la musique, et tous les autres éléments en mode 'Slave' (= esclave, l'écran affiche alors " SLA ") pour qu'ils réagissent tous de manière parfaitement synchronisée !

Remarque : Lorsque aucune source musicale n'est détectée par l'appareil, la source du laser sera coupée (mode black out).

2) MODE 100 % AUTOMATIQUE :

Le laser exécute automatiquement une séquence préprogrammée. Sélectionnez ce mode quand il n'y a qu'un laser en présence (mode autonome) ou quand le laser est placé en tête d'une chaîne de plusieurs RADIANT LASER, et qu'il remplit donc le rôle de master.

- Appuyez sur le bouton FUNC jusqu'à ce que l'écran affiche SoN, AUN, Sod, AUd, SoP or AUP.
- Utilisez maintenant les touches UP ou DOWN pour sélectionner :
 - AUN (show aléatoire automatique et disposant de motifs lumineux et d'effets de diffraction)
 - AUd (show automatique et disposant d'effets de diffraction)
 - AUP (show automatique de motifs lumineux)

- Appuyez sur la touche ENTER pour confirmer votre choix.

Le laser exécute automatiquement une séquence préprogrammée.

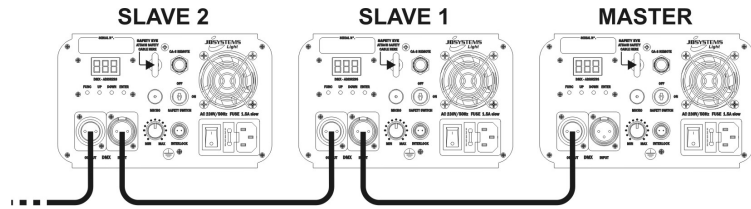
Il est possible de connecter plusieurs lasers RADIANT LASER ensemble : il suffit de régler le premier élément de la chaîne dans un des modes qui produisent des effets automatiques, et tous les autres éléments en mode 'Slave' (= esclave, l'écran affiche alors " SLA ") pour qu'ils réagissent tous de manière parfaitement synchronisée !

3) SLAVE MODE:

Le laser suit les instructions données par le premier laser RADIANT LASER (= le master) de la chaîne.

- Connectez l'entrée DMX du laser à la sortie DMX du laser qui le précède dans la chaîne.
- Appuyez sur le bouton FUNC jusqu'à ce que l'écran affiche " SLA ".
- Appuyez sur la touche ENTER pour confirmer votre choix.

Il est possible de connecter plusieurs lasers RADIANT LASER ensemble : il suffit de régler le premier élément de la chaîne en mode 'Music' ou 'Auto' et tous les autres éléments en mode 'Slave' (l'écran affiche " SLA ") pour qu'ils réagissent tous de manière parfaitement synchronisée !



4) EASY CONTROLLER MODE:

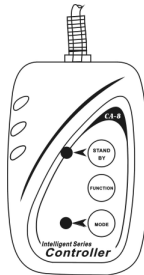
Le contrôleur optionnel CA-8 est fait pour être connecté à l'appareil lorsqu'on désire le contrôler à distance. Lorsque plusieurs Space 3 sont connectés en mode 'master/slave', il faut connecter le contrôleur CA-8 au premier élément dans la chaîne. Tous les appareils suivront alors les instructions transmises par la télécommande CA-8.

- Connectez le contrôleur CA-8 à l'entrée (8) destinée au contrôleur à distance. Cette entrée se trouve en face arrière.

- Appuyez sur le bouton FUNC jusqu'à ce que l'écran affiche "CA8".
- Appuyez sur la touche ENTER pour confirmer votre choix.

Voici les fonctions qui sont disponibles via le contrôleur CA-8 :

- **Touche STANDBY** : utilisée pour mettre le laser en mode black out (pas de sortie). La LED de standby reste allumée en mode black out.
- **Touche FUNCTION**: utilisée pour sélectionner la couleur (originale → vert → bleu → vert + Bleu → originale)
- **Touche MODE** : utilisée pour passer d'un mode à l'autre:
 - **MODE LED ON**: Le laser est en mode son
 - **MODE LED OFF**: Le laser est en mode automatique

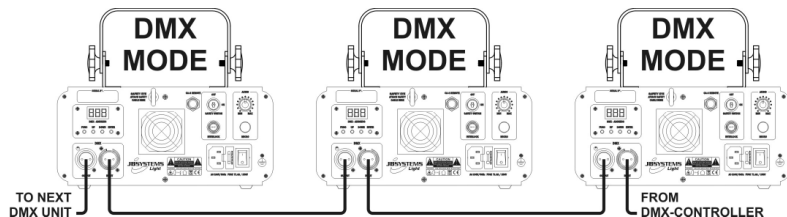


5) MODE DE FONCTIONNEMENT DMX:

Le laser peut être contrôlé par n'importe quel contrôleur DMX standard :

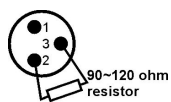
- **MODE A 1 CANAL**: pour une installation et une utilisation simple et pratique! ("1Ch" est affiché)
- **MODE A 10 CANAUX**: pour un contrôle complet de toutes les fonctions ("10Ch" est affiché)
- Connectez l'entrée DMX du laser à la sortie DMX de l'élément précédent dans la chaîne (ou connectez-le directement à la sortie DMX de votre contrôleur s'il est le premier de la chaîne).
- Appuyez sur le bouton FUNC jusqu'à ce que l'écran affiche "1Ch" ou "8Ch".
- Appuyez sur les touches UP/DOWN pour sélectionner le mode DMX désiré. (1Ch ou 8Ch)
- Appuyez sur la touche ENTER pour confirmer votre choix.
- Appuyez sur le bouton FUNC : le nombre de trois chiffres affiché à l'écran se met à clignoter.
- Sélectionnez l'adresse DMX désirée.
- Appuyez sur la touche ENTER pour confirmer votre choix.

Remarque : l'écran clignote quand l'appareil est en mode DMX et qu'il ne détecte aucun signal DMX.



Voici quelques informations supplémentaires sur le standard DMX512 :

Le protocole DMX est un signal à haute vitesse très utilisé pour contrôler des équipements lumineux intelligents. Vous devez connecter en guirlande (daisy chaining) votre contrôleur DMX et tous les appareils avec un câble symétrique (XLR M/F) de bonne qualité. Pour éviter des comportements étranges des effets de lumières dus aux interférences, vous devez utiliser une résistance de bouclage de 90Ω à 120Ω en fin de chaîne. Ne jamais utiliser de séparateur de câbles en forme "Y", cela ne fonctionnera pas !



Chaque effet lumineux de la chaîne doit avoir sa propre adresse de départ afin de savoir à quelle commande du contrôleur il doit obéir.

CONFIGURATION DMX A 1 CANAL:

CANAL	VALEUR	DESCRIPTION
CANAL 1 MODES	000-024	Le laser est éteint (Black out)
	025-059	Mode AUd (Show auto d'effets de diffraction)
	060-099	Mode AUP (Show auto de motifs lumineux)
	100-139	Mode AUu (Show auto d'effets de diffraction et de motifs)
	140-179	Mode Sod (show activé par le son et disposant d'effets de diffraction)
	180-219	Mode SoP (show activé par le son et disposant de motifs lumineux)
	220-255	Mode Son (show activé par le son et disposant d'effets de diffraction et de motifs lumineux)

CONFIGURATION DMX A 10 CANAUX:

REMARQUE IMPORTANTE: Canal DMX 1 est utilisé pour régler les différents modes de fonctionnement du laser.

- Pour utiliser le laser en mode 10 canaux, vous devez attribuer une valeur de 175 ou plus au canal 1.
- Valeur située entre 175 et 199 : se reporter au tableau "10CH DMX - tableau 10-A"
- Valeur située entre 200 et 224 : se reporter au tableau "10CH DMX - tableau 10-B"
- Valeur située entre 225 et 255 : se reporter au tableau "10CH DMX - tableau 10-C"

CANAL	VALEUR	DESCRIPTION
CH 1 MODES	000-024	Le laser est éteint (Black out)
	025-049	Mode AUu (Show auto d'effets de diffraction et de motifs)
	050-074	Mode Son (show activé par le son et disposant d'effets de diffraction et de motifs lumineux)
	075-099	Mode AUP (Show auto de motifs lumineux)
	100-124	Mode SoP (show activé par le son disposant de motifs lumineux)
	125-149	Mode AUd (Show auto d'effets de diffraction)
	150-174	Mode Sod (show activé par le son et disposant d'effets de diffraction)
	175-199	Mode DMX avec des effets de diffraction pointillés → se reporter au tableau "10CH DMX - tableau 10-A → see 10CH DMX-table 10-A"
	200-224	Mode DMX avec des effets de diffraction avec motifs lumineux → se reporter au tableau "10CH DMX - tableau 10-B"
	225-255	Mode DMX avec des motifs lumineux traditionnels → se reporter au tableau "10CH DMX - tableau 10-C"

10CH DMX - tableau 10-A (CANAL DMX 1 réglé entre les valeurs 175 et 199)

CANAL	VALEUR	DESCRIPTION
CH 2 Axe des X mobile	000-127	128 positions fixes différentes sur l'axe des X
	128-191	Mouvement dans le sens des aiguilles d'une montre
	192-255	Mouvement dans le sens inverse des aiguilles d'une montre
CH 3 Axe des Y mobile	000-127	128 positions fixes différentes sur l'axe des Y
	128-191	Mouvement dans le sens des aiguilles d'une montre
	192-255	Mouvement dans le sens inverse des aiguilles d'une montre

CH 4 COULEURS	000-009	Black out du rayon laser
	010-063	Bleu + vert allumés ou bleu + vert en mode strob.
	064-127	Bleu allumé ou bleu en mode strob. + vert éteint
	128-191	Vert allumé ou vert en mode strob. + bleu éteint
	192-255	Bleu + vert allumés ou bleu + vert en mode strob. en phases alternantes
CH 5 STROBO- SCOPE	000-009	Aucun effet strob.
	010-249	Effet strob. (de vitesse lente à vitesse rapide)
	250-255	Effet strob. suivant le rythme de la musique
CH 6 ROTATION / DIFFRACTION	000-075	Rotation dans le sens des aiguilles d'une montre (de vitesse lente à vitesse rapide)
	076-150	Absence de rotation
	151-255	Rotation dans le sens inverse des aiguilles d'une montre (de vitesse lente à vitesse rapide)
CH7 → CH10		NON UTILISE

10CH DMX-chart 10-B (DMX CHANNEL1 set between values 200 and 224)

CANAL	VALEUR	DESCRIPTION
CH 2	000-255	11 motifs différents à diffraction
CH 3 ZOOM	000-127	Taille des motifs : de grand (100 %) à petit (5 %)
	128-169	Zoom rétrécissant (de grand à petit et de lent à rapide)
	170-209	Zoom élargissant (de petit à grand et de lent à rapide)
	210-255	Zooms dans les deux sens (+ de lent à rapide)
CH 4 Axe des Y ROLLING	000-127	Positions fixes le long de l'axe des Y, de 0° à 359°
	128-191	Rolling le long de l'axe des Y, et dans le sens des aiguilles d'une montre
	192-255	Rolling le long de l'axe des Y, et dans le sens inverse des aiguilles d'une montre
CH 5 Axe des X ROLLING	000-127	Positions fixes le long de l'axe des X, de 0° à 359°
	128-191	Rolling le long de l'axe des X, et dans le sens des aiguilles d'une montre
	192-255	Rolling le long de l'axe des X, et dans le sens inverse des aiguilles d'une montre
CH 6 Axe des Z ROLLING	000-127	Positions fixes le long de l'axe des Z, de 0° à 359°
	128-191	Rolling le long de l'axe des Z, et dans le sens des aiguilles d'une montre
	192-255	Rolling le long de l'axe des Z, et dans le sens inverse des aiguilles d'une montre
CH 7 Axe des X mobile	000-127	128 positions fixes différentes le long de l'axe des X
	128-191	Mouvements dans le sens des aiguilles d'une montre le long de l'axe des X
	192-255	Mouvements dans le sens inverse des aiguilles d'une montre le long de l'axe des X

CH 8 Axe des Y mobile	000-127	128 positions fixes différentes le long de l'axe des Y
	128-191	Mouvements dans le sens des aiguilles d'une montre le long de l'axe des Y
	192-255	Mouvements dans le sens inverse des aiguilles d'une montre le long de l'axe des Y
CH 9 COULEURS	000-016	BLEU
	017-031	VERT
	032-049	BLEU & VERT
	050-255	Couleurs qui s'enchaînent
CH 10 DIFFRACTION / ROTATION	000	Pas de rotation avec effets de diffraction
	001-075	Rotation avec effets de diffraction dans le sens des aiguilles d'une montre
	076-150	Pas de rotation avec effets de diffraction
	151-255	Rotation avec effets de diffraction dans le sens contraire des aiguilles d'une montre

10CH DMX - tableau 10-c (CANAL DMX 1 réglé entre les valeurs 225 et 255)

CANAL	VALEUR	DESCRIPTION
CH 2	000-255	11 motifs différents traditionnels
CH 3 ZOOM	000-127	Motifs fixes à taille variable : de grand (100 %) à petit (5 %)
	128-169	Zoom rétrécissant (de grand à petit et de lent à rapide)
	170-209	Zoom élargissant (de petit à grand et de lent à rapide)
	210-255	Zooms dans les deux sens (+ de lent à rapide)
CH 4 Axe des Y ROLLING	000-127	Positions fixes le long de l'axe des Y, de 0° à 359°
	128-191	Rolling le long de l'axe des Y, et dans le sens des aiguilles d'une montre
	192-255	Rolling le long de l'axe des Y, et dans le sens inverse des aiguilles d'une montre
CH 5 Axe des X ROLLING	000-127	Positions fixes le long de l'axe des X, de 0° à 359°
	128-191	Rolling le long de l'axe des X, et dans le sens des aiguilles d'une montre
	192-255	Rolling le long de l'axe des X, et dans le sens inverse des aiguilles d'une montre
CH 6 Axe des Z ROLLING	000-127	Positions fixes le long de l'axe des Z, de 0° à 359°
	128-191	Rolling le long de l'axe des Z, et dans le sens des aiguilles d'une montre
	192-255	Rolling le long de l'axe des Z, et dans le sens inverse des aiguilles d'une montre
CH 7 Axe des X mobile	000-127	128 positions fixes différentes le long de l'axe des X
	128-191	Mouvements dans le sens des aiguilles d'une montre le long de l'axe des X
	192-255	Mouvements dans le sens inverse des aiguilles d'une montre le long de l'axe des X

CH 8 Axe des Y mobile	000-127	128 positions fixes différentes le long de l'axe des Y
	128-191	Mouvements dans le sens des aiguilles d'une montre le long de l'axe des Y
	192-255	Mouvements dans le sens inverse des aiguilles d'une montre le long de l'axe des Y
CH 9 COULEURS	000-016	Couleurs originales
	017-031	BLEU
	032-047	VERT
	048-062	BLEU + VERT
	063-160	Alternance entre bleu et vert (de vitesse lente à vitesse rapide)
	161-255	Mélange en perpétuel changement des trois couleurs (de vitesse lente à vitesse rapide)
CH 10		NON UTILISE

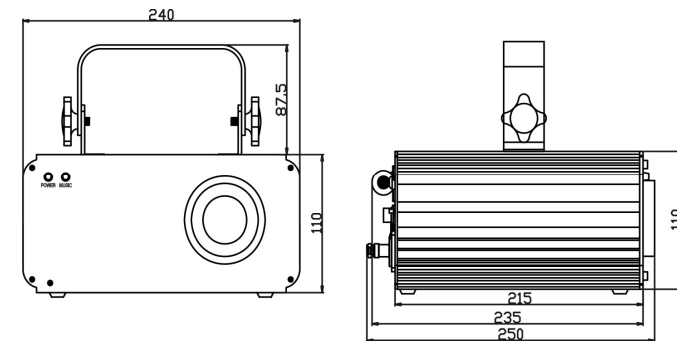
MAINTENANCE

- Assurez-vous que la zone au-dessous du lieu d'installation ne comporte pas de personnes indésirables lors de la maintenance
- Mettez l'unité hors tension, débranchez le cordon d'alimentation et attendez que l'appareil ait refroidi.
- Pendant l'inspection, les points suivants doivent être vérifiés :**
- Toutes les vis utilisées pour l'installation de l'appareil ou de chacune de ses pièces doivent être bien fixées et non corrodées.
- Les niches, fixations et structures de support (plafond, poutres, suspensions) doivent être totalement intactes, sans aucune déformation.
- Lorsqu'une lentille optique est visiblement endommagée (fissure ou éraflures profondes), elle doit être remplacée.
- Les câbles doivent être en parfaite condition et doivent être remplacés immédiatement en cas de détection d'un problème, même bénin.
- Pour protéger l'appareil de toute surchauffe, les ventilateurs (si applicable) et les ouvertures de ventilation doivent être nettoyées mensuellement.
- L'intérieur de l'appareil doit être nettoyé annuellement à l'aide d'un aspirateur ou jet d'air.
- Le nettoyage des lentilles optiques internes et externes et/ou des miroirs doit être effectué périodiquement pour optimiser la production de lumière. La fréquence de nettoyage dépend de l'environnement dans lequel l'appareil fonctionne: des environnements humides, enfumés ou particulièrement sales peuvent entraîner une accumulation de saleté plus importantes sur les optiques de l'appareil.
 - Nettoyez à l'aide d'un chiffon doux avec des produits de nettoyage pour verres normaux.
 - Séchez toujours les parties soigneusement.
 - Nettoyez les optiques externes ou moins une fois tous les 30 jours.
 - Nettoyez les optiques internes ou moins une fois tous les 90 jours.

Attention: Nous vous recommandons fortement de faire exécuter le nettoyage interne par du personnel qualifié !

SPECIFICATIONS

Alimentation:	AC 100~240V, 50/60Hz
Fusible:	250V 1A lente (20mm verre)
Consommation:	30W
Contrôle de son:	Microphone interne
Connexions DMX:	3 points XLR mâle / femelle
Canaux DMX:	1 ou 6 canaux
Adresse DMX de départ:	001 → 512
Puissance du Laser:	CW Laser 40mW Vert ($\lambda = 532\text{nm}$) CW Laser 200mW Bleu ($\lambda = 450\text{nm}$)
Laser Classe:	3B
Diamètre faisceau @ ouverture:	<5mm
Divergence (chaque rayon)	<2 mrad
Divergence (puissance globale)	<160°
Température de fonctionnement:	15°C à 40°C
Norme de sécurité Laser:	EN/IEC 60825-1 Ed2, 2007-03
Taille:	voir illustration ci-dessous
Poids:	2,6kg



Chacune de ces informations peut être modifiée sans avertissement préalable
Vous pouvez télécharger la dernière version de ce mode d'emploi sur notre site Web: www.beglec.com

GEBRUIKSAANWIJZING

Hartelijk dank voor de aankoop van dit JB Systems® product. Om ten volle te kunnen profiteren van alle mogelijkheden en voor uw eigen veiligheid, gelieve de aanwijzingen zeer zorgvuldig te lezen voor U begint het apparaat te gebruiken.

DOOR U OP ONZE MAILINGLIJST IN TE SCHRIJVEN ONTVANGT U STEEDS DE LAATSTE INFORMATIE OVER ONZE PRODUCTEN: NIEUWIGHEDEN, SPECIALE ACTIES, OPENDEURDAGEN, ENZ.
→ SURF NAAR: WWW.BEGLEC.COM ←

KARAKTERISTIEKEN

In dit apparaat is radio-interferentie onderdrukt. Dit product voldoet aan de gangbare Europese en nationale voorschriften. Het is vastgesteld dat het apparaat er zich aan houdt en de desbetreffende verklaringen en documenten zijn door de fabrikant afgegeven.

- Het toestel is ontworpen om decoratieve lichteffecten te produceren en kan eventueel worden gebruikt in lichtshows.
- The best of both worlds: een traditionele 2 kleuren laser + laser burst effecten gecombineerd in 1 toestel !
- Prachtige voorgeprogrammeerde laser shows voor allerlei toepassingen: lounge bar, discotheek, mobiele DJ, ...
- Classe 3B laser op basis van een groene laser van 40mW 532nm + een blauwe laser van 200mW 450nm.
- Verschillende werkmodi:
 - DMX controle: via 1kanaal voor een gemakkelijk gebruik, of via 10 kanalen voor een volledige controle.
 - Standalone: muziekgestuurd (ingebouwde microfoon) of automatisch
 - Master/slave: prachtige synchrone shows
 - CA-8 controller apart verkrijgbaar
- LED display met 3 karakters voor een betere navigatie door het menu
- Voldoet aan de norm EN/IEC 60825-1 2007 voor laserveiligheid
- Interlock aansluiting voor extra veiligheid

EERSTE INGEBRUIKNAME

- Controleer voor het eerste gebruik van het apparaat of het tijdens het transport beschadigd werd. Mocht er schade zijn, gebruik het dan niet, maar raadpleeg eerst uw dealer.
- **Belangrijk:** Dit apparaat verliet de fabriek in uitstekende staat en goed verpakt. Het is erg belangrijk dat de gebruiker de veiligheidsaanwijzingen en raadgevingen in deze gebruiksaanwijzing uiterst nauwkeurig volgt. Elke schade veroorzaakt door verkeerd gebruik van het apparaat valt niet onder de garantie. De dealer aanvaardt geen verantwoordelijkheid voor mankementen en problemen die komen door het veronachtzamen van deze gebruiksaanwijzing.
- Bewaar deze brochure op een veilige plaats om hem in de toekomst nogmaals te kunnen raadplegen. Indien U het apparaat verkoopt, denkt U er wel aan om de gebruiksaanwijzing bij te voegen.

Controleer de inhoud:

Controleer of de doos volgende onderdelen bevat:

- RADIANT LASER
- 2 sleuteltjes voor de sleutelschakelaar
- Netsnoer
- Handleiding

VEILIGHEIDSVOORSCHRIFTEN:



WAARSCHUWING: Om het risico op elektrocutie zoveel mogelijk te vermijden mag u nooit de behuizing verwijderen. Er bevinden zich geen onderdelen in het toestel die u zelf kan herstellen. Laat de herstellingen enkel uitvoeren door een bevoegde technicus.



De bliksempijl die zich in een gelijkbenige driehoek bevindt is bedoeld om u te wijzen op het gebruik of de aanwezigheid van niet-geïsoleerde onderdelen met een "gevaarlijke spanning" in het toestel die voldoende kracht heeft om een risico van elektrocutie in te houden.



Het uitroepteken binnen de gelijkbenige driehoek is bedoeld om de gebruiker erop te wijzen dat er in de meegeleverde literatuur belangrijke gebruik en onderhoudsinstructies vermeld staan betreffende dit onderdeel.



Dit symbool betekent: het apparaat mag enkel binnenhuis worden gebruikt.



Dit symbool betekent: Lees de handleiding!



Dit symbool bepaalt: de minimumafstand van te belichten voorwerpen. De minimumafstand tussen projector en het verlichte voorwerp moet meer dan 1 meters zijn.

- Om het milieu te beschermen, probeer zoveel mogelijk het verpakkingsmateriaal te recyclen.
- Een nieuw lichteffect kan soms ongewenste rook en/of reuk veroorzaken. Dit is normaal en verdwijnt na een paar minuten.
- Stel dit apparaat niet bloot aan regen of vocht, dit om het risico op brand en elektrische schokken te voorkomen.
- Om de vorming van condensatie binnenin te voorkomen, laat het apparaat aan de omgevingstemperatuur wennen wanneer het, na het transport, naar een warm vertrek is overgebracht. Condensatie kan het toestel soms verhinderen perfect te functioneren. Het kan soms zelfs schade aan het apparaat toebrengen.
- Gebruik dit apparaat uitsluitend binnenshuis.
- Plaats geen stukken metaal en mors geen vocht binnen in het toestel om elektrische schokken of storing te vermijden. Indien een vreemd voorwerp in het apparaat geraakt, moet U het direct van het lichtnet afkoppelen.
- Plaats de installatie op een plaats met goede ventilatie, ver van brandbare materialen en/of vloeistoffen. De installatie moet op minstens 50 cm van de muren rondom geplaatst worden.
- Bedek geen enkele ventilatieopening om oververhitting te vermijden.
- Zorg dat het toestel niet in een stoffige omgeving wordt gebruikt en maak het regelmatig schoon.
- Houd het apparaat uit de buurt van kinderen.
- Dit apparaat mag niet door onervaren personen bediend worden.
- De veilige omgevingstemperatuur bevindt zich tussen 15° & 40°C. Gebruik het apparaat dus niet bij hogere temperaturen.
- Verzekert er U van dat er zich onder de plaats waar het toestel wordt geïnstalleerd geen ongewenste personen bevinden tijdens het bevestigen en losmaken alsook bij het onderhoud.
- Trek altijd de stekker uit wanneer het apparaat gedurende langere tijd niet wordt gebruikt of alvorens de lamp te vervangen of alvorens te beginnen met de onderhoudsbeurt.
- De elektrische installatie behoort uitsluitend uitgevoerd te worden door bevoegd personeel, volgens de in uw land geldende regels betreffende elektrische en mechanische veiligheid.
- Controleer dat de beschikbare spanning niet hoger is dan die aangegeven op de achterzijde van het toestel.
- De elektrische kabel behoort altijd in uitstekende staat te zijn. Zet het apparaat onmiddellijk af als de elektrische kabel gekneusd of beschadigd is. De kabel moet vervangen worden door de fabrikant zelf, zijn dealer of vergelijkbare bekwame personen om een brand te voorkomen.
- Laat de elektrische draad nooit in contact komen met andere draden.
- Volgens de veiligheidsvoorschriften moet deze installatie geaard worden.
- Sluit het apparaat niet aan op een elektronische dimmer.
- Gebruik altijd een geschikte en gekeurde veiligheidskabel bij het installeren van het toestel.
- Om elektrische schokken te voorkomen, moet U de behuizing niet openen. Afgezien van de lamp en de zekering zitten er geen onderdelen in die door de gebruiker moeten worden onderhouden.
- Repareer **nooit** een zekering en overbrug de zekeringhouder nooit. Vervang een beschadigde zekering **steeds** door een zekering van hetzelfde type en met dezelfde elektrische kenmerken.
- Ingeval van ernstige problemen met het bedienen van het toestel, stopt U onmiddellijk het gebruik ervan.

Contacteer uw dealer voor een eventuele reparatie.

- De behuizing en de lenzen moeten vervangen worden als ze zichtbaar beschadigd zijn.
- Gebruik best de originele verpakking als het toestel vervoerd moet worden.
- Om veiligheidsredenen is het verboden om ongeautoriseerde modificaties aan het toestel aan te brengen.

Belangrijk: Kijk nooit rechtstreeks in de lichtbron. Gebruik het lichteffect niet in de tegenwoordigheid van personen die lijden aan epilepsie.

LASER SAFETY INSTRUCTIES:

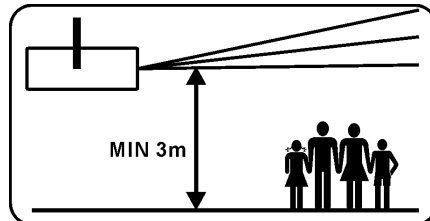
- Volgens de normen EN/IEC 60825-1 Ed2, 2007-03 valt dit apparaat onder de klasse 3B lasers. Direct oogcontact met de laserstraal kan gevaarlijk zijn.



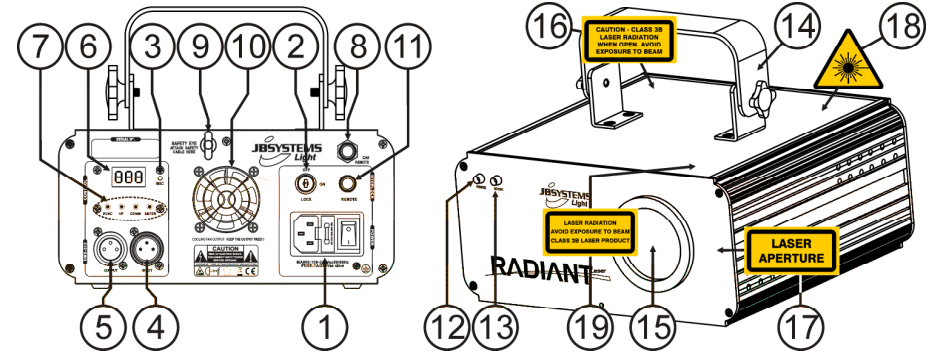
GEVAAR: LASER STRALING !
 Vermijd direct oogcontact! Laser straling kan oog en/of huid verbranding veroorzaken. Alle mogelijke maatregelen voor een veilig gebruik van dit apparaat moeten genomen worden.



- Dit product is een zogenaamde showlaser, veroorzaakt straling met een golflengte tussen 400 en 700nm bedoeld om effecten voor lichtshows te creëren.
 - Laser Licht is totaal verschillend van andere lichtbronnen waarmee u vertrouwd bent. Het licht van dit product kan de ogen potentieel beschadigen wanneer het toestel niet correct opgesteld en gebruikt wordt. Laser licht is duizenden keren meer geconcentreerd dan licht van om het even welke andere lichtbron. Deze concentratie aan lichtkracht kan onmiddellijke schade toebrengen aan de ogen door onder andere de retina te verbranden! (het lichtgevoelige deel aan de achterkant van het oog). Zelfs wanneer u de "hitte" van de laserstraal niet kunt voelen kan deze toch potentieel schade aanrichten of zelfs blindheid veroorzaken bij u of uw publiek.
 - Zelfs kleine hoeveelheden laserlicht kunnen potentieel gevaarlijk zijn, zelfs op grote afstand.
 - Kijk NOOIT recht in de laseropening of laserstraal.
 - Richt de laserstralen nooit op mensen of dieren en laat het apparaat nooit onbemand werken.
 - Deze laser mag enkel voor lichtshows gebruikt worden. Het gebruik van een klasse 3B laser is enkel toegelaten als deze bediend wordt door een persoon die hiervoor opgeleid is en over de nodige ervaring beschikt.
 - Afhankelijk van de laser klasse kan het gebruik van een laser straling voortbrengen die permanente oog en/of huidbeschadiging kan veroorzaken. De wettelijke voorschriften voor het gebruik van lasers kan van land tot land verschillen. De gebruiker zal zich steeds informeren over de wettelijke voorschriften die in zijn land gelden en zich hieraan strikt houden!
 - Het hoofddocument en tevens hoeksteen van de laser veiligheidsnormen ANSI Z136.1 (2007) verschaft heel wat informatie en richtlijnen voor een veilig gebruik van lasers en lasersystemen voor elk van de 4 laser categorieën. Dit waardevol document kan verkregen worden via www.laserinstitute.org
- JB SYSTEMS** kan niet verantwoordelijk gesteld worden voor ongevallen die het gevolg zijn van een verkeerde installatie en/of gebruik van dit product!



BESCHRIJVING:



1. **NETAANSLUITING:** met IEC stopcontact en geïntegreerde zekeringhouder, sluit de bijgeleverde netkabel hier aan.
2. **AAN/UIT SLEUTELSCHAKELAAR:** gebruikt om het toestel aan en uit te zetten. Gebruik de sleutels, opdat de laser enkel opgezet kan worden door een bekwame persoon.
3. **INTERNE MICROFOON:** De ingebouwde microfoon wordt gebruikt om de lasershow gelijk te laten lopen met het ritme van de muziek.
4. **DMX INGANG:** 3pin mannelijke XLR-connector die gebruikt wordt om de universele DMX-kabels te verbinden. Deze ingang krijgt instructies van een DMX-controller.
5. **DMX UITGANG:** 3pin vrouwelijke XLR-connector die gebruikt wordt om de RADIANT LASER aan te sluiten op het volgende toestel in de DMX-keten.
6. **DISPLAY:** toont het gekozen DMX-adres als het toestel in DMX-modus staat. Naast de DMX-modus kunt u ook 4 andere werkmodi selecteren. Meer uitleg hierover vindt u verder in deze handleiding.
7. **CONTROLE PANEEL:** wordt gebruikt om de verschillende functies van de lezer in te stellen. Meer uitleg hierover vindt u verder in deze handleiding.
8. **CONTROLLER INGANG:** hier kunt u de CA-8 hand controller aansluiten. Meer uitleg hierover vindt u verder in deze handleiding.
9. **VEILIGHEIDSOOG:** gebruikt om de veiligheidskabel vast te maken wanneer het toestel opgehangen wordt (zie paragraaf "hoog ophangen")
10. **KOELVENTILATOR:** wordt gebruikt om de onderdelen binnenin de behuizing af te koelen. Let erop dat je deze ventilatoruitgang nooit afdekt!
11. **INTERLOCK INPUT:** wordt gebruikt om de optionele stopschakelaar aan te sluiten (zie foto). Wanneer je op deze schakelaar duwt verdwijnt de straal onmiddellijk.



BELANGRIJK! we raden ten sterkste aan om deze optionele schakelaar aan te sluiten!
DE LASER WERKT NIET ZOLANG DE INTERLOCK INGANG NIET WORDT GEBRUIKT.
 Tijdelijke oplossing: installeer de reserve connector op de laser. (zie foto)

12. **POWER LED:** geeft aan dat het toestel aan staat.
13. **GELUIDSLED:** geeft aan op het geluid van de muziek die opgevangen wordt door de interne microfoon.
14. **OPHANGBEUGEL:** met 2 knoppen langs weerskanten om het toestel vast te maken en een gat om een bevestigingshaak aan vast te maken.
15. **LASERUITGANG:** Hier verlaat de laserstraal de behuizing; kijk NOOIT binnenin het toestel doorheen deze opening als het lasereffect aan staat!
16. **WAARSCHUWINGSLABEL:** "Waarschuwing – Klasse 3B laser. Laserstraling bij opening. Vermijd blootstelling aan straal."
17. **WAARSCHUWINGSLABEL:** "Laseropening"
18. **LASER WAARSCHUWINGSTEKEN:** waarschuwt voor een potentieel gevaarlijke laser als het niet gebruikt wordt door bekwame personen.
19. **WAARSCHUWINGSLABEL:** "Laserstraling. Vermijd blootstelling aan straal. Klasse 3B laserproduct"



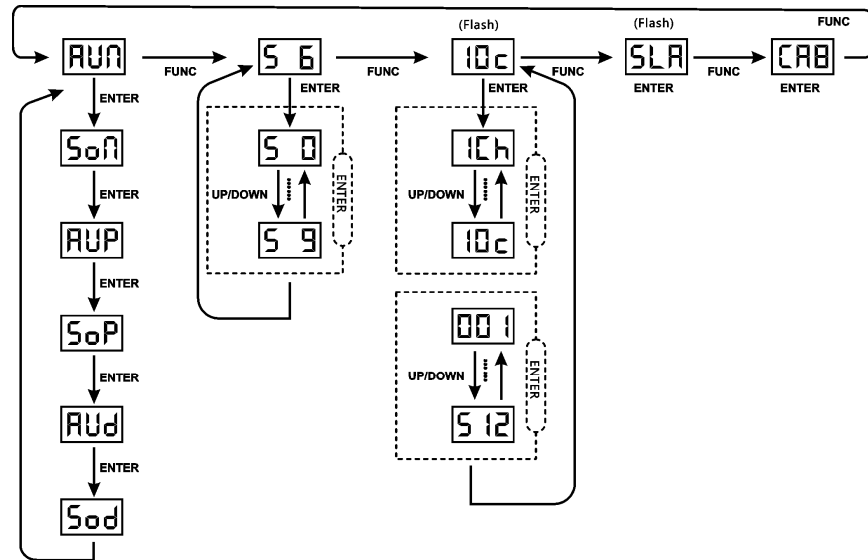
OPHANGEN VAN HET APPARAAT

- **Belangrijk:** De installatie van het toestel mag uitsluitend door bekwaam onderhoudspersoneel uitgevoerd worden. Onjuiste plaatsing kan ernstige letsels en/of schade aan eigendommen tot gevolg hebben. Het ophangen vergt veel ervaring. U behoort de grenzen te respecteren aan de werklust; erkende installeringmaterialen moeten worden gebruikt; de veiligheid van het geïnstalleerde toestel moet regelmatig worden gecontroleerd.
- Overtuig U ervan dat het gebied onder installatieplaats vrij is van ongewenste personen tijdens het plaatsen, het weghalen en het onderhoud.
- Installeer het toestel op een goed geventileerde plaats, ver van brandbare stoffen en/of vloeistoffen. Het toestel moet worden bevestigd op **minstens 50 cm** van de omringende muren.
- Het toestel moet worden geïnstalleerd buiten het bereik van iedereen en weg van plaatsen waar men mag lopen en zitten.
- Alvorens tot plaatsen over te gaan, moet men controleren dat de minimum puntbelasting van de installatieplaats 10 keer het gewicht van het toestel bedraagt.
- Gebruik bij het installeren van het toestel altijd een gewaarmerkte veiligheidskabel die 12 keer het gewicht van het toestel kan dragen. Deze bijkomende veiligheidsbevestiging moet zo worden aangebracht dat geen deel van het toestel meer dan 20 cm vallen kan als de hoofdbeveiliging faalt.
- Het apparaat moet goed worden vastgezet; aan een vrij zwaaiende montering mag zelfs niet gedacht worden.
- Bedek geen ventilatieopeningen, anders zou dit oververhitting tot gevolg kunnen hebben.
- De gebruiker moet er zich van verzekeren dat de installaties met betrekking tot de veiligheid en de technische mechaniek door een expert zijn goedgekeurd alvorens ze voor de eerste keer te gebruiken. Elk jaar moeten de installaties worden gekeurd door een vakman om te controleren of de veiligheid nog steeds perfect is.



GEVAAR VOOR OOGLETSELS: bij de installatie er altijd voor zorgen dat het publiek nooit rechtstreeks in de laserstralen kan kijken. Bij de installatie moet men ervoor zorgen dat de laserstralen niet rechtstreeks op het publiek gericht worden.

OPSTELLEN EN BEDIENEN



INGANGSGEVOELIGHEID MICRO:

In standalone of master/slave modus werken de toestellen op het ritme van de muziek

Volg volgende stappen om de ingangsgevoeligheid van de microfoon in te stellen:

- Druk op de FUNC toets tot "S 0" ... "S 9" op de display verschijnt
- Druk op de ENTER toets om uw keuze te bevestigen.
- Gebruik de DOWN en UP toetsen en kies een waarde tussen "S 0" (zeer lage gevoeligheid) en "S 9" (hoge gevoeligheid).
- Wanneer de gewenste waarde op de display wordt weergegeven, druk dan op de ENTER toets om uw keuze te bevestigen.

U kunt dit toestel op 5 manieren gebruiken:

1) MUZIEKGESTUURD:

De laser overloopt de voorgeprogrammeerde sequentie op het ritme van de muziek. Selecteer deze werkmodus wanneer u slechts 1 laser gebruikt (autonoom) of wanneer de laser het eerste toestel is (master) in de keten van meerdere Radiant lasers.

- Druk op de FUNC toets tot SoN, AUN, Sod, AUd, SoP of AUP op de display verschijnt
- Gebruik nu de UP en DOWN toetsen en maak uw keuze uit de volgende selecties:
 - SoN (Afwisselende muziekgestuurde effecten)
 - Sod (Muziekgestuurde bewegende punt effecten)
 - SoP (Muziekgestuurde bewegende motief effecten)

- Druk op de ENTER toets om uw keuze te bevestigen.

U kunt meerder Radiant lasers met elkaar linken: zet het eerste toestel in de keten in een van de muziekgestuurde werkmodi en alle andere toestellen in "Slave mode" ("SLA" op de display) zodat ze allemaal synchroon werken!

Opmerking: wanneer er geen muziek gedetecteerd wordt zal de laser uit gaan (blackout).

2) AUTONOOM:

De laser overloopt automatisch de voorgeprogrammeerde sequentie. Selecteer deze werkmodus wanneer u slechts 1 laser gebruikt (autonoom) of wanneer de laser het eerste toestel is (master) in de keten van meerdere Radiant lasers.

- Druk op de FUNC toets tot SoN, AUN, Sod, AUd, SoP of AUP op de display verschijnt
- Gebruik nu de UP en DOWN toetsen en maak uw keuze uit de volgende selecties:
 - AUN (afwisselende automatische effecten)
 - AUd (automatisch bewegende punt effecten)
 - AUP (automatisch bewegende motief effecten)

- Druk op de ENTER toets om uw keuze te bevestigen.

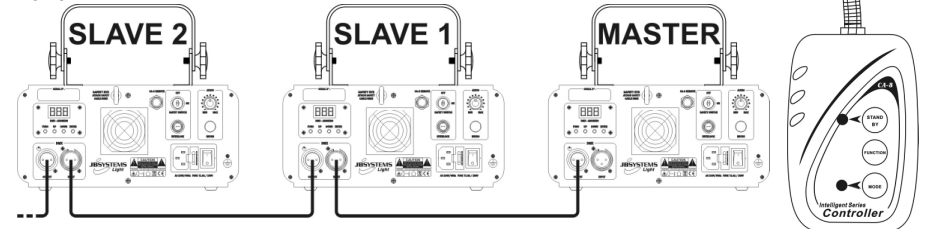
U kunt meerder Radiant lasers met elkaar linken: zet het eerste toestel in de keten in een van de automatische werkmodi en alle andere toestellen in "Slave mode" ("SLA" op de display) zodat ze allemaal synchroon werken!

3) SLAVE MODE (ESCLAVE):

De laser zal de instructies volgen welke door de eerste Radiant laser (master) in de keten gegeven worden.

- Verbind de DMX ingang van de laser met de DMX uitgang van de vorige laser in de keten.
- Druk op de FUNC toets tot "SLA" op de display verschijnt
- Druk op de ENTER toets om uw keuze te bevestigen.

U kunt meerder Radiant lasers met elkaar linken: zet het eerste toestel in de keten in "Music mode" en alle andere toestellen in "Slave mode" ("SLA" op de display) zodat ze allemaal synchroon werken!



4) EASY CONTROLLER MODUS:

U kunt een in optie verkrijgbare CA-8 controller aansluiten zodat u de laser van op afstand kunt controleren. Wanneer meerdere Radiant lasers in master/slave met elkaar verbonden zijn, dan moet u de CA-8 controller aansluiten op het eerste toestel in de keten. Alle toestellen zullen nu de instructies van de CA-8 controller volgen.

- Verbind de CA-8 controller met de controller ingang (8) aan de achterkant van de laser.
- Druk op de FUNC toets tot "CA8" op de display verschijnt
- Druk op de ENTER toets om uw keuze te bevestigen.

Dit zijn de functies die u met de CA-8 controller kunt oproepen:

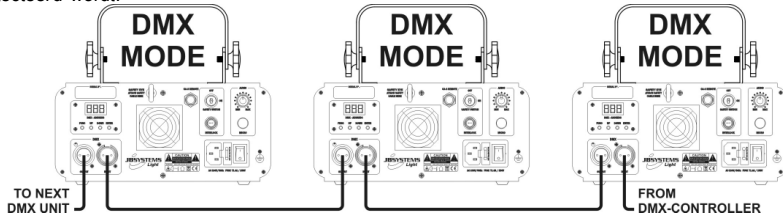
- **STANDBY toets:** wordt gebruikt om de laser in black-out (no output) te zetten. De standby LED is aan tijdens black-out.
- **FUNCTION toets:** wordt gebruikt om de kleur te kiezen (origineel → groen → blauw → groen → blauw → origineel)
- **MODE toets:** wordt gebruikt om van de ene werkmodus naar de andere over te schakelen:
 - **MODE LED AAN:** werkmodus op het ritme van de muziek
 - **MODE LED UIT:** automatische werkmodus

5) DMX BEDIENDE MODUS:

De laser kan via om het even welke standaard DMX controller bestuurd worden in 2 verschillende DMX modi:

- **1 KANAALS MODUS:** voor een zeer eenvoudige opstelling en gebruik! ("1Ch" op de display)
- **10 KANAALS MODUS:** voor een volledige controle over alle mogelijkheden van het toestel. ("10Ch" op de display)
- Verbind de DMX ingang van de laser met de DMX uitgang van het vorige toestel in de keten, of verbind deze onmiddellijk met de DMX uitgang van uw controller.
- Druk op de FUNC toets tot "1Ch" of "10Ch" op de display verschijnt
- Druk op de UP/DOWN om de gewenste DMX modus te kiezen. (1Ch of 10Ch)
- Druk op de ENTER toets om uw keuze te bevestigen.
- Druk op de FUNC toets: het driedelig nummer op de display begint te knipperen
- Selecteer het gewenste DMX-adres
- Druk op de ENTER toets om uw keuze te bevestigen.

Opmerking: de display knippert wanneer het toestel in DMX modus staat en er geen DMX signaal gedetecteerd wordt.



Meer informatie over DMX512:

Het DMX-protocol is een veel gebruikt hogesnelheidssignaal om lichtuitrustingen te bedienen. U moet uw DMX bediening en alle units met een gebalanceerde kabel van goede kwaliteit doorverbinden om vreemd gedrag van de lichteffecten, veroorzaakt door storing, te voorkomen, moet u een afsluitweerstand van 90Ω tot 120Ω aan het eind van de keten gebruiken. Gebruik nooit een Y-splitkabel, dit zal eenvoudig weg niet werken!

Elk lichteffect in de keten heeft een eigen DMX startadres nodig zodat het weet welke commando's van de bediening het moet ontcijferen.



1 KANAALS DMX CONFIGURATIE VAN DE LASER

KANAAL	WAARDE	OMSCHRIJVING
KAN 1 MODI	000-024	Laser UIT (Black out)
	025-059	AUd modus (Automatische show met punteneffect)
	060-099	AUP modus (Automatische show met motieeffect)
	100-139	AUn modus (Automatische show met punt + motieeffect)
	140-179	Sod modus (Muziekgestuurde show met punteneffect)
	180-219	SoP modus (Muziekgestuurde show met motieeffect)
	220-255	Son modus (Muziekgestuurde show met punt + motieeffect)

10 KANAALS DMX CONFIGURATIE VAN DE LASER:

BELANGRIJKE OPMERKING: DMX kanaal1 wordt gebruikt om de verschillende werkmodi in te stellen.

- Om de laser volledig via 10 kanalen te benutten moet kanaal 1 ingesteld zijn op een waarde van 175 of meer.
- Afhankelijk van de DMX waarden van kanaal 1, zijn volgende 3 tabellen van toepassing:
 - Waarde tussen 175 en 199: zie tabel "10 Kanaals DMX tabel 10-A"
 - Waarde tussen 200 en 224: zie tabel "10 Kanaals DMX tabel 10-B"
 - Waarde tussen 225 en 255: zie tabel "10 Kanaals DMX tabel 10-C"

KANAAL	WAARDE	OMSCHRIJVING
KAN 1 MODI	000-024	Laser UIT (Black out)
	025-049	AUn modus (Automatische show met punt + motieeffect)
	050-074	Son modus (Muziekgestuurde show met punt + motieeffect)
	075-099	AUP modus (Automatische show met motieeffect)
	100-124	SoP modus (Muziekgestuurde show met motieeffect)
	125-149	AUd modus (Automatische show met punteneffect)
	150-174	Sod modus (Muziekgestuurde show met punteneffect)
	175-199	DMX modus met PUNT effecten → zie 10Kanaals DMX tabel 10-A
	200-224	DMX modus met MOTIEF effecten → zie 10Kanaals DMX tabel 10-B
	225-255	DMX modus met traditionele MOTIEF effecten → zie 10Kanaals DMX tabel 10-C

10 Kanaals DMX tabel 10-A (DMX Kanaal 1 ingesteld tussen 175 en 199)

KANAAL	WAARDE	OMSCHRIJVING
KAN 2 X AS BEWEGING	000-127	128 verschillende vaste posities rond de X-as
	128-191	Beweging in wijzerzin
	192-255	Beweging in tegenwijzerzin
KAN 3 Y AS BEWEGING	000-127	128 verschillende vaste posities rond de Y-as
	128-191	Beweging in wijzerzin
	192-255	Beweging in tegenwijzerzin
KAN 4 KLEUREN	000-009	Laser blackout
	010-063	Blauw + groen AAN of blauw & groen flitst
	064-127	Blauw AAN of blauw flitst & groen UIT
	128-191	Groen AAN of groen flitst & blauw UIT
	192-255	Blauw + groen AAN of blauw & groen flitst om beurt

KAN 5 STROBO	000-009	Geen strobo effect
	010-249	Strobo (traag tot snel)
	250-255	Strobo op de muziek
KAN 6 EFFECT ROTATIE	000-075	Rotatie in wijzerzin (traag tot snel)
	076-150	Geen rotatie
	151-255	Rotatie in tegenwijzerzin (traag tot snel)
KAN7 → KAN10		NIET GEBRUIKT

10 Kanaals DMX tabel 10-B (DMX Kanaal 1 ingesteld tussen 200 en 224)

KANAAL	WAARDE	OMSCHRIJVING
KAN 2	000-255	11 verschillende puntmotieven
KAN 3 ZOOM	000-127	Patroon afmeting: van groot (100%) tot klein(5%)
	128-169	Inzoomen (van groot tot klein + van traag tot snel)
	170-209	Uitzoomen (van groot tot klein + van traag tot snel)
	210-255	In en uit zoomen (van traag tot snel)
KAN 4 Y AS ROL	000-127	0° tot 359° vaste posities rond de Y as
	128-191	Beweging rond de Y as in wijzerzin
	192-255	Beweging rond de Y as in tegenwijzerzin
KAN 5 X AS ROL	000-127	0° tot 359° vaste posities rond de X as
	128-191	Beweging rond de X as in wijzerzin
	192-255	Beweging rond de X as in tegenwijzerzin
KAN 6 Z AS ROL	000-127	0° tot 359° vaste posities rond de Z as
	128-191	Beweging rond de Z as in wijzerzin
	192-255	Beweging rond de Z as in tegenwijzerzin
KAN 7 X AS BEWEGING	000-127	128 verschillende vaste posities rond de X as
	128-191	Beweging rond de X as in wijzerzin
	192-255	Beweging rond de X as in tegenwijzerzin
KAN 8 Y AS BEWEGING	000-127	128 verschillende vaste posities rond de Y as
	128-191	Beweging rond de Y as in wijzerzin
	192-255	Beweging rond de Y as in tegenwijzerzin
KAN 9 KLEUR	000-016	BLAUW
	017-031	GROEN
	032-049	BLAUW + GROEN
	050-255	Afwisselende kleuren
KAN 10 EFFECT ROTATIE	000	Geen rotatie van het effect
	001-075	Rotatie van het effect in wijzerzin
	076-150	Geen rotatie van het effect
	151-255	Rotatie van het effect in tegenwijzerzin

10 Kanaals DMX tabel 10-C (DMX Kanaal 1 ingesteld tussen 225 en 255)

KANAAL	WAARDE	OMSCHRIJVING
KAN 2	000-255	11 verschillende standaard patronen
KAN 3 ZOOM	000-127	Vaste patroon afmeting: van groot (100%) tot klein(5%)
	128-169	Inzoomen (van groot tot klein + van traag tot snel)
	170-209	Uitzoomen (van klein tot groot + van traag tot snel)
	210-255	In en uit zoomen (van traag tot snel)

KAN 4 Y AS ROL	000-127	0° tot 359° vaste posities rond de Y-as
	128-191	Rol rond de Y-as in wijzerzin
	192-255	Rol rond de Y-as in tegenwijzerzin
KAN 5 X AS ROL	000-127	0° tot 359° vaste posities rond de X-as
	128-191	Rol rond de X-as in wijzerzin
	192-255	Rol rond de X-as in tegenwijzerzin
KAN 6 Z AS ROL	000-127	0° tot 359° vaste posities rond de Z-as
	128-191	Beweging rond de Z as in wijzerzin
	192-255	Beweging rond de Z as in tegenwijzerzin
KAN 7 X AS BEWEGING	000-127	128 verschillende vaste posities rond de X as
	128-191	Beweging rond de X as in wijzerzin
	192-255	Beweging rond de X as in tegenwijzerzin
KAN 8 Y AS BEWEGING	000-127	128 verschillende vaste posities rond de Y as
	128-191	Beweging rond de Y as in wijzerzin
	192-255	Beweging rond de Y as in tegenwijzerzin
KAN 9 KLEUR	000-016	Originele kleuren
	017-031	BLAUW
	032-047	GROEN
	048-062	BLAUW + GROEN
	063-160	Afwisseling tussen blauw en groen (van traag tot snel)
KAN 10	161-255	Afwisselende mix van 3 kleuren (van traag tot snel)
		NIET GEBRUIKT

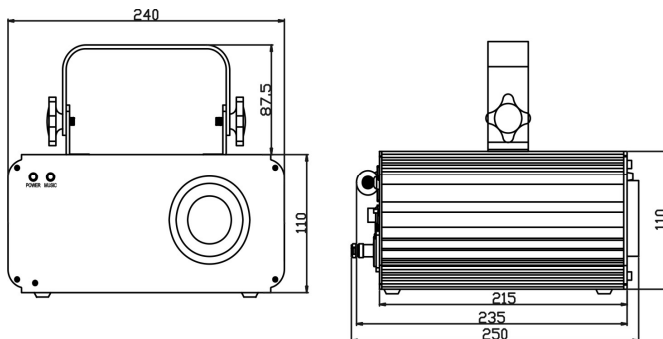
ONDERHOUD

- Overtuig U ervan dat het gebied onder de installatieplaats vrij is van ongewenste personen tijdens het onderhoud.
- Zet het toestel uit, trek de netstekker uit het stopcontact en wacht tot het toestel is afgekoeld.
- **Bij inspectie moeten de volgende punten worden gecontroleerd.**
- Alle schroeven gebruikt om het te toestel te installeren en al zijn onderdelen moeten goed vastgedraaid zijn en mogen niet verroest zijn.
- Behuizingen, vastzetstukken, installeringplaatsen (plafond, spanten, schokbrekers) mogen absoluut niet verwrongen zijn.
- Wanneer een optische lens klaarblijkelijk beschadigd is door barsten of diepe krassen, dan moet deze vervangen worden.
- De stroomkabels moeten in perfecte staat zijn en behoren vervangen te worden, wanneer er zelfs maar een klein probleem ontdekt werd.
- Om het toestel tegen oververhitting te beschermen, behoren de ventilatoren (als die er zijn) en de ventilatieopeningen elke maand gereinigd te worden.
- De binnenkant van het toestel behoort elk jaar gereinigd te worden met een stofzuiger of een luchtspuut.
- Het schoonmaken van inwendige en uitwendige optische lenzen en/of spiegels moet regelmatig worden uitgevoerd om een zo goed mogelijke lichtuitstraling te verkrijgen. Hoe vaak ze schoon moeten worden gemaakt hangt af van de omgeving waar het toestel wordt gebruikt: een klamme, rokerige of bijzonder vuile omgeving kan een grotere opeenhoping van vuil veroorzaken op de optische uitrusting.
 - Reinig met een zachte doek en gebruik normale glasreinigende producten.
 - Droog de onderdelen altijd zorgvuldig af.
 - Reinig de uitwendige optische uitrusting minstens één keer per maand.
 - Reinig de inwendige optische uitrusting minstens om de 3 maanden.

Let op: We bevelen sterk aan dat het schoonmaken van de binnenkant wordt uitgevoerd door vakbekwaam personeel!!

TECHNISCHE KENMERKEN

Netvoeding:	AC 100~240V, 50/60Hz
Zekering:	250 V/ 1A trage zekering (20 mm)
Totaal verbruik:	30W
Geluidscontrole:	Inwendige microfoon
DMX verbinding:	3 pins XLR mannelijk/ vrouwelijk
DMX kanalen:	1 of 10 kanalen
DMX startadressen:	001 → 512
Laser vermogen:	40mW groene CW laser ($\lambda = 532\text{nm}$) 200mW blauwe CW laser ($\lambda = 450\text{nm}$)
Laser klasse:	3B
Straaldiameter @ opening:	<5mm
Divergentie (elke straal):	<2 mrad
Divergentie (totaal):	<160°
Werkings temperatuur:	15°C tot 40°C
Laserveiligheid Standaard:	EN/IEC 60825-1 Ed2, 2007-03
Afmetingen:	zie afbeelding
Gewicht:	2,6 kg



Elke inlichting kan veranderen zonder waarschuwing vooraf

U kunt de laatste versie van deze handleiding downloaden via onze website: www.beglec.com

BEDIENUNGSANLEITUNG

Vielen Dank, dass Sie sich für den Erwerb dieses JBSYSTEMS®-Produkt entschieden haben. Bitte lesen sie diese Bedienungsanleitung sorgfältig vor der Inbetriebnahme durch, zur vollen Ausschöpfung der Möglichkeiten, die dieses Gerät bietet sowie, zu Ihrer eigenen Sicherheit.

EIGENSCHAFTEN

Das Gerät ist funktentstört und erfüllt die Anforderungen der europäischen und nationalen Bestimmungen. Entsprechende Dokumentation liegt beim Hersteller vor.

- Das Gerät ist zur Erzeugung von dekorativem Licht sowie der Benutzung in Lightshows bestimmt.
- Das beste aus zwei Welten: ein klassischer 2-Farben-Laser + Laser Burst Effekte kombiniert in einem Gerät!
- Märchenhafte vorprogrammierte Lasershows für die verschiedensten Anwendungsarten: Lounge Bar, Diskothek, mobile DJ, ...
- Klasse 3B-Laser mit 40mW 532nm grünem + 200mW 450nm blauem Laser.
- Verschiedene Betriebsmodi:
 - DMX-Steuerung: 1-Kanal für eine einfache Bedienung oder 10-Kanal für komplette Steuerung
 - Standalone: musikgesteuert (eingebautes Mikro) oder automatisch
 - Master/Slave: wundervolle synchronisierte Shows
 - Wahlweise CA-8 Fernsteuerung erhältlich
- 3-stelliges LED-Display für eine einfache Menü-Navigation
- Entspricht den EN/IEC 60825-1 2007 Laser-Sicherheitsnormen
- Verriegelungseingang zur zusätzlichen Sicherheit

VOR DER ERSTBENUTZUNG

- Vor der Erstbenutzung bitte das Gerät zuerst auf Transportschäden überprüfen. Sollte das Gerät einen Schaden aufweisen, Gerät bitte nicht benutzen, sondern unverzüglich mit ihrem Händler in Verbindung setzen.
- **Wichtiger Hinweis:** Das Gerät hat das Werk unbeschädigt und gut verpackt verlassen. Es ist wichtig, dass der Benutzer sich streng an die Sicherheitshinweise und Warnungen in der Bedienungsanleitung hält. Schäden durch unsachgemäße Handhabung sind von der Garantie ausgeschlossen. Der Händler übernimmt keine Verantwortung für Schäden, die durch Nichtbeachtung der Bedienungsanleitung hervorgerufen wurden.
- Die Bedienungsanleitung, für zukünftiges Nachschlagen, bitte aufbewahren. Bei Verkauf oder sonstiger Weitergabe des Gerätes, bitte Bedienungsanleitung beifügen.

Packungsinhalt prüfen:

Bitte überprüfen Sie, dass die Packung folgende Einzelteile enthält:

- RADIANT LASER Gerät
- 2 Schlüssel für der Schlüsselschalter
- Netzkabel
- Bedienungsanleitung

SICHERHEITSHINWEISE



CAUTION
RISK OF ELECTRIC SHOCK
DO NOT OPEN



ACHTUNG: Um sich nicht der Gefahr eines elektrischen Schlags auszusetzen, entfernen Sie keines der Gehäuseteile. Im Geräte-inneren befinden sich keine vom Benutzer reparierbaren Teile. Überlassen

Sie Reparaturen dem qualifizierten Kundendienst.



Das Blitzsymbol im Dreieck weist den Benutzer darauf hin, das eine Berührungsgefahr mit nicht isolierten Teilen im Geräteinneren, welche eine gefährliche Spannung führen, besteht. Die Spannung ist so hoch, das hier die Gefahr eines elektrischen Schlages besteht.



Das Ausrufezeichen im Dreieck weist den Benutzer auf wichtige Bedienungs- und Wartungshinweise in den Dokumenten hin, die dem Gerät beiliegen.



Dieses Symbol bedeutet: Nur innerhalb von Räumen verwenden.



Dieses Symbol bedeutet: Achtung! Bedienungsanleitung lesen!



Dieses Symbol stellt fest: der minimale Abstand von beleuchteten Gegenständen. Der minimale Abstand zwischen Projektor und dem belichteten Gegenstand muß mehr als 1 Meter sein.

- Aus Umweltschutzgründen, Verpackung bitte wiederverwenden, oder richtig trennen.
- Ein neues Gerät kann Geruch oder Rauch entwickeln. Das ist völlig normal und legt sich nach einigen Minuten.
- Zur Vermeidung von Stromschlag oder Feuer, Gerät bitte nicht Regen oder Feuchtigkeit aussetzen.
- Zur Vermeidung von Kondensation im Inneren des Geräts, bitte nach Transport in eine warme Umgebung einige Zeit zum Temperatenausgleich bringen. Kondensation kann zu Leistungsverlust des Gerätes oder gar Beschädigung führen.
- Gerät nicht im Freien und in feuchten Räumen und Umgebungen verwenden.
- Keine Metallgegenstände oder Flüssigkeiten ins Innere des Geräts gelangen lassen, Kurzschluß oder Fehlfunktion können die Folge sein. Falls es doch einmal vorkommen sollte, bitte sofort Netzstecker ziehen und vom Stromkreis trennen.
- Gerät nur in gut belüfteter Position und entfernt von entflammaren Materialien oder Flüssigkeiten betreiben. Mindestabstand an allen Seiten soll mindestens 50 cm sein.
- Ventilationsöffnungen nicht abdecken, da Überhitzungsgefahr!
- Nicht in staubiger Umgebung verwenden und regelmäßig reinigen.
- Für Kinder unerreichbar aufbewahren.
- Unerfahrene Personen sollen das Gerät nicht bedienen.
- Ein sicherer Betrieb ist gewährleistet bei einer Umgebungstemperatur zwischen 15° & 40°C. Umgebungstemperatur darf 40°C nicht überschreiten.
- Sicherstellen, daß sich während des Auf- und Abbaus keine unbefugten Personen unterhalb des Geräts befinden.
- Stets Netzstecker ziehen, wenn Gerät für längeren Zeitraum nicht genutzt, oder es gewartet wird.
- Elektrische Anschlüsse nur durch qualifiziertes Fachpersonal überprüfen lassen.
- Sicherstellen, daß Netzspannung mit Geräteaufkleber übereinstimmt.
- Gerät nicht mit beschädigtem Netzkabel betreiben. Ist die Zugangsleitung beschädigt, muß diese durch den Hersteller, seinen Vertrieb oder durch eine Qualifizierte Person ersetzt werden.
- Netzkabel nicht mit anderen Kabeln in Berührung kommen lassen!
- Zur Einhaltung der Sicherheitsbestimmungen muß das Gerät geerdet sein.
- Gerät nicht an einen Dimmer anschließen.
- Ausschließlich vorschriftsmäßige Kabel zur Installation verwenden.
- Gerät nicht öffnen. Abgesehen vom tausch des Leuchtmittels und der Sicherung sind keine zu wartenden Bauteile im Gerät enthalten.
- Sicherung **niemals** reparieren oder überbrücken, sondern **immer** mit gleichartiger Sicherung ersetzen!
- Bei Fehlfunktion, Gerät nicht benutzen und mit Händler in Verbindung setzen.
- Bei sichtbaren Beschädigungen müssen Gehäuse und Optik ersetzt werden.
- Bei Transport bitte Originalverpackung verwenden, um Schäden am Gerät zu vermeiden.
- Aus Sicherheitsgründen dürfen an dem Gerät keine unbefugten Veränderungen vorgenommen werden.

Wichtiger Hinweis: Nicht direkt in die Lichtquelle blicken! Gerät nicht verwenden, wenn sich Personen im Raum befinden, die unter Epilepsie leiden.

LASER SICHERHEITS HINWEISE:

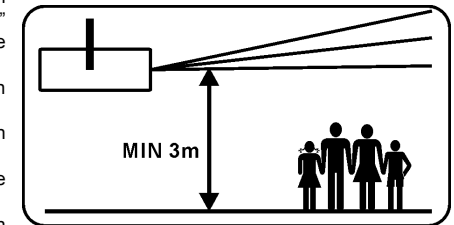
- Nach der Klassifizierung auf Grundlage der Sicherheitsnorm EN/IEC 60825-1 Ed2, 2007-03 fällt dieser Laser unter die Laserklasse 3B. Bei Lasern dieser Klasse kann ein direkter Blick in den Strahl gefährlich sein.



GEFAHR DURCH LASERSTRAHLUNG!
Direkte Bestrahlung der Augen vermeiden!
Laserstrahlung kann zu Augen- und/oder Hautverletzungen führen.
Alle Schutzmaßnahmen für den sicheren Betrieb dieses Lasers müssen unbedingt eingehalten werden!

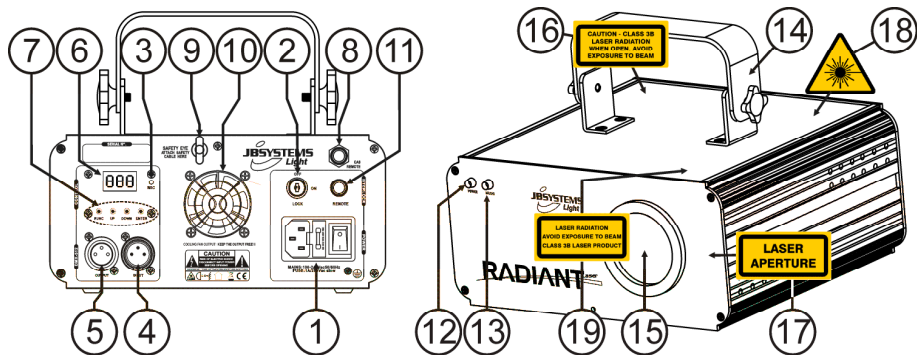


- Beim vorliegenden Produkt handelt es sich um einen betriebsfertigen Showlaser, dessen sichtbare Strahlung im Wellenlängenbereich von 400 bis 700 nm liegt, und der Lichteffekte für Unterhaltung etc. erzeugt.
- Laserlicht unterscheidet sich von jeder anderen Ihnen bekannten Lichtquelle. Das Licht von vorliegendem Produkt kann bei nicht fachgerechter Installation und Bedienung Augenverletzungen verursachen. Laserlicht ist tausendmal stärker konzentriert als Licht von jeder anderen Lichtquelle. Diese konzentrierte Lichtenenergie kann direkte Augenverletzungen verursachen, in erster Linie durch Verbrennungen der Netzhaut (der lichtempfindliche Teil an der hinteren Innenseite des Auges). Auch wenn Sie keine "Hitze" vom Laserstrahl fühlen können, kann er trotzdem Sie oder Ihr Publikum verletzen oder blenden.
- Auch sehr kleine Mengen Laserlicht können gefährlich sein selbst über große Abstände.
- Schauen Sie nie in eine Laseröffnung oder in Laserstrahlen
- Laserstrahl niemals auf Personen oder Tiere ausrichten.
- Das Gerät darf niemals unbeaufsichtigt betrieben werden!
- Dieser Laser darf nur für Vorführzwecke eingesetzt werden. Der Betrieb eines Showlaser der Klasse 3B ist nur dann zugelassen, wenn der Laserbetrieb von einem erfahrenen und gut ausgebildeten Bediener gesteuert und überwacht wird.
- Beim Betreiben einer Laser-Einrichtung lässt sich je nach Laserklassifizierung eine Laserstrahlung erzeugen, die zu irreparablen Augen- und/oder Hautschäden führen kann. Die Sicherheitshinweise für den Gebrauch von Laser Produkten können von Land zu Land verschieden sein. Der Benutzer muss sich selbst über die Sicherheitshinweise in seinem Land informieren.
- Das Ausgangsdokument und Eckpfeiler der amerikanischen Lasersicherheitsnormen ANSI Z136.1 (2007) dient als Leitfaden für den sicheren Gebrauch von Lasern und Lasersystemen und legt die Kontrollbestimmungen für jede der vier Laserklassen fest. Dieses nützliche Dokument können Sie unter www.laserinstitute.org erhalten



JB SYSTEMS haftet nicht für Schäden, die durch unsachgemäße Installation und nicht bestimmungsgemäßen Betrieb verursacht werden!

BESCHREIBUNG



- NETZANSCHLUSS:** Mit Hilfe des IEC Steckers und eingebauter Sicherung, verbinden sie hier den Netzstecker.
- AN/AUS SCHALTER:** Wird verwendet um das Gerät an bzw. aus zu schalten. Verwenden sie die Schlüssellücke um sicherzustellen das nur gewünschte Personen das Gerät einschalten.
- EINGEBAUTES MIKROFON:** Das eingebaute Mikrofon wird verwendet um die Lasershow an den Rhythmus der Musik anzupassen.
- DMX EINGANG:** 3pin männliche XLR-Verbinder um die universellen DMX-Kabel zu verbinden. Dieser Eingang erhält Anweisungen des DMX-Kontrollers.
- DMX AUSGANG:** 3pin weiblicher XLR-Verbinder um den RADIANT LASER mit der nächsten DMX Einheit zu verbinden.
- ANZEIGE:** Zeigt die gewählte DMX Adresse an, wenn das Gerät im DMX Modus arbeitet. Neben dem DMX-Modus können Sie 4 andere Modi wählen, die auf den folgenden Seiten näher erläutert werden.
- BEDIENFELD:** Zur Bedienung der verschiedenen Funktionen des Lasers. Auf den nachfolgenden Seiten finden Sie die Bedienungsanleitung des Geräts.
- FERNSTEUERUNGSEINGANG:** Eingang für die CA-8 Handfernbedienung, die auf den folgenden Seiten näher erläutert wird.
- SICHERHEITSAUGE:** Wird verwendet um ein Sicherheitskabel anzuschließen wenn das Gerät Überkopf angeschlossen wurde (Siehe "Überkopf Montage").
- LÜFTUNG:** Wird verwendet um das Gerät kalt zu halten. Stellen sie sicher das die Lüftungslöcher nie verdeckt sind!
- INTERLOCK EINGANG:** wird verwendet, um den optional erhältlichen Notausschalter zu verbinden (siehe Bild). Wenn Sie diesen Schalter drücken, wird der Laserstrahl sofort ausgeschaltet.



**WICHTIG! Wir empfehlen nachdrücklich, diesen Notausschalter anzuschließen!
DER LASER WIRD NICHT FUNKTIONIEREN, WENN DER INTERLOCK EINGANG NICHT VERWENDET WIRD.
Temporäre Lösung: Installieren Sie das Ersatz-Anschluss auf der Laser. (siehe Bild)**

- POWER LED:** Zeigt an das das Gerät eingeschaltet ist.
- SOUND LED:** Flakert entsprechend des Mikrofonsignals wenn Musik gespielt wird.
- HALTER:** Mit zwei Schrauben auf jeder Seite und einem Montierloch um das Gerät in einer Montagevorrichtung zu bringen.
- LASER AUSGANG:** Hier verläßt der Laser das Gerät, stellen sie sicher das sie NIEMALS in dieses Loch schauen!
- WARNUNG:** "Achtung – Laser der Klasse 3B. Laserstrahlung wenn geöffnet. Vermeiden sie dem Laserstrahl ausgesetzt zu sein."
- WARNUNG:** "Lasererperatur"
- LASER WARNUNGSHINWEIS:** Warnt vor einem potentiell gefährlichem Laser wenn das Gerät von einem nicht geschulten Operator verwendet wird.
- WARNUNG:** "Laserstrahlung. Vermeiden sie dem Laserstrahl ausgesetzt zu sein. Laser der Klasse 3B."



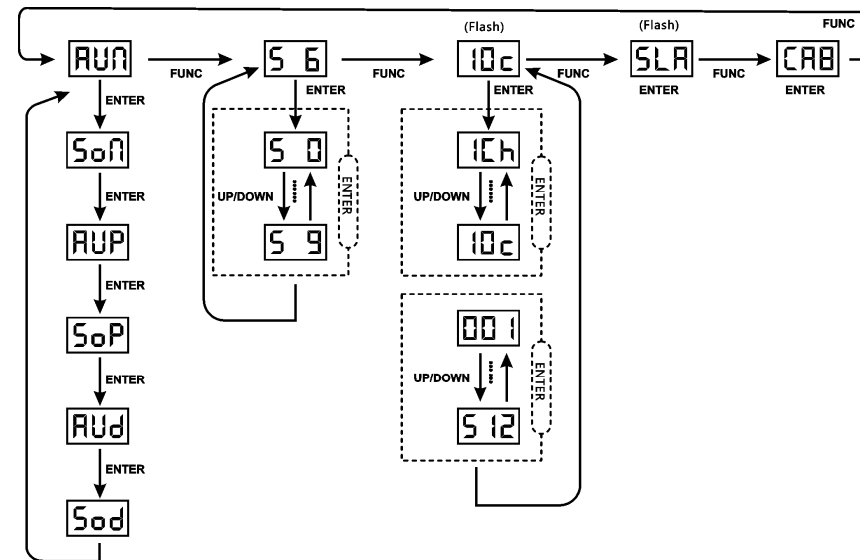
ÜBERKOPF-MONTAGE

- Wichtig:** Montage ausschließlich durch qualifiziertes Fachpersonal durchführen lassen. Unvorschriftsmäßiger Einbau kann erhebliche Verletzungen und/oder Schäden verursachen. Überkopf-Montage verlangt entsprechende Erfahrung! Belastungsgrenzen müssen beachtet werden, geeignetes Installationsmaterial muß verwendet werden und das installierte Gerät muß in regelmäßigen Abständen überprüft werden.
- Sicherstellen, dass sich keine unbefugten Personen unterhalb des Geräts befinden, während es installiert oder gewartet wird.
- Gerät in gut belüfteter Position installieren, weit entfernt von entflammaren Materialien und/oder Flüssigkeiten. Einen Seitenabstand von **mindestens 50cm** einhalten.
- Gerät außerhalb der Reichweite von Personen, und nicht in niedrigen Durchgängen oder in der Nähe von Sitzgelegenheiten installieren.
- Vor Montage sicherstellen, dass die gewählte Position wenigstens das 10-fache Gerätegewicht aufnehmen kann.
- Zur Aufhängung stets geeignetes Befestigungsmaterial verwenden, das das 12-fache Gerätegewicht aushalten kann. Eine zweite Sicherungsaufhängung muß angebracht werden, die ein Absacken des Geräts von mehr als 20 cm verhindert, sollte die Befestigung brechen.
- Gerät gut befestigen. Eine freischwingende Aufhängung ist gefährlich und sollte auf gar keinen Fall in Betracht gezogen werden!
- Ventilationsöffnungen nicht abdecken, da Überhitzungsgefahr!
- Betreiber muß sicherstellen, dass die sicherheitsrelevanten und technischen Installationen vor Erstbetrieb fachmännisch vorgenommen worden sind.
- Installationen sollten jährlich durch qualifiziertes Fachpersonal inspiziert werden, um jederzeit einen sicheren Betrieb zu gewährleisten.



ACHTUNG AUGENSCHADEN: Positionieren Sie den Laser immer so, das niemand direkt in den Laserstrahl blicken kann. Die Installation ist so zu wählen das der Laser Strahl nicht direkt ins Publikum strahlt !

EINSTELLEN & BEDIENUNG DES GERÄTS



MUSIC INPUT SENSITIVITY:

Das Gerät arbeitet nach dem Takt der Musik, wenn es im Standalone oder im Master / Slave Modus verwendet wird

Zur Einstellung der Empfindlichkeit des Mikrofons:

- Press the FUNC-button until the display shows "S 0" ... "S 9"
- Press the ENTER-button to confirm your choice.
- Mit DOWN und UP wählen Sie einen Wert zwischen "S 0" (sehr geringe Empfindlichkeit) und "S 9" (hohe Empfindlichkeit).
- Sobald die richtige Modus im Display angezeigt wird, mit EINGABE (ENTER) speichern.

Sie können das Gerät auf 5 verschiedene Weisen bedienen:

1) MUSIKGESTEUERTER MODUS:

Der Laser folgt einer vorprogrammierten Sequenz im Takt der Musik. Wählen Sie diesen Modus, wenn nur 1 Laser eingesetzt wird (Standalone) oder wenn der Laser als erstes (Master) Gerät in einer Kette aus mehreren Radiant Lasern eingesetzt wird.

- Drücken Sie die FUNC-Taste bis SoN, AUN, Sod, AUd, SoP oder AUP auf dem Display erscheint
- Mit DOWN und UP wählen Sie:
 - Son (musikgetakteter random Effekt)
 - SoP (musikgetaktete Muster)
 - Sod (musikgetaktete Punkte)
- Drücken sie die ENTER-Taste, um Ihre Auswahl zu bestätigen.

Sie können mehrere Radiant Laser hintereinander schalten: setzen Sie einfach das erste Gerät der Kette in einen der musikgetakteten Effektmodi und alle anderen Geräte in den "Slave mode" ("SLA" erscheint im Display) um eine perfekte Synchronisation der Geräte zu erreichen!!

Anmerkung: Wenn das Gerät keine Musik erkennt, wird der Laser ausgeschaltet (Blackout).

2) VOLLAUTOMATISCHER MODUS:

Der Laser spult automatisch eine vorprogrammierte Sequenz ab. Wählen Sie diesen Modus, wenn nur 1 Laser eingesetzt wird (Standalone) oder wenn der Laser als erstes (Master) Gerät in einer Kette aus mehreren Radiant Lasern eingesetzt wird.

- Drücken Sie die FUNC-Taste bis SoN, AUN, Sod, AUd, SoP oder AUP auf dem Display erscheint
 - Mit DOWN und UP wählen Sie:
 - AUn (automatischer Random Effekt)
 - AUd (automatischer bewegende Punkte)
 - AUP (automatischer bewegende Muster)
 - Drücken sie die ENTER-Taste, um Ihre Auswahl zu bestätigen.
- Der Laser spult automatisch eine vorprogrammierte Sequenz ab. Sie können mehrere RADIANT LASERn Setzen Sie das erste Gerät der Kette in einen der automatischen Effektmodi und alle anderen Geräte in den "Slave mode" ("SLA" erscheint im Display) um eine perfekte Synchronisation der Geräte zu erreichen!

3) SLAVE MODUS:

Der Laser folgt den vom ersten Radiant laser (master) in der Kette gegebenen Anweisungen.

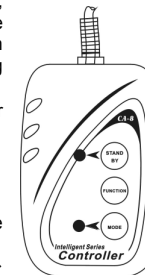
- Schließen Sie den DMX-Eingang des Lasers an den DMX-Ausgang des vorgeschalteten Lasers.
- Drücken Sie die FUNC-Taste bis "SLA" auf dem Display erscheint
- Drücken sie die ENTER-Taste, um Ihre Auswahl zu bestätigen.

Sie können mehrere Radiant Laser hintereinander schalten. Setzen Sie das erste Gerät der Kette in den "Musik- oder Automatischen Modus" und alle anderen Geräte in den "Slave mode" ("SLA" erscheint im Display) um eine perfekte Synchronisation der Geräte zu erreichen!

**4) EASY CONTROLLER MODUS:**

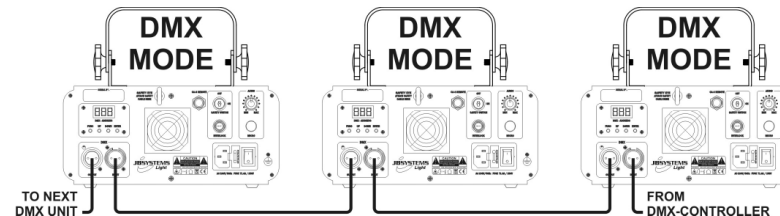
Ein als Zubehör erhältlicher CA-8 Controller (Steuerung) kann angeschlossen werden, um den Laser fernzusteuern. Wenn mehrere Radiant Laser im Master/Slave hintereinander geschaltet sind, sollten Sie den CA-8 Controller an das erste Gerät in der Kette anschließen. Alle Geräte werden den Anweisungen der CA-8 Fernsteuerung folgen.

- Schließen Sie den CA-8 Controller an den Fernsteuerungseingang (8) auf der Rückseite an.
 - Drücken Sie die FUNC-Taste bis "CA8" auf dem Display erscheint
 - Drücken sie die ENTER-Taste, um Ihre Auswahl zu bestätigen.
- Folgende Funktionen sind auf dem CA-8 Controller verfügbar:
- **STANDBY Taste:** um den Laser in Blackout zu setzen (keine Laserabgabe). Die Standby- (Bereitschaft) LED leuchtet während des Blackouts.
 - **FUNCTION Taste:** mit dieser Taste können Sie die Farbe auswählen (Original → grün → blau → grün + blau → Original)
 - **MODUS-Taste:** um zwischen den 2 Modi hin- und herzuwechseln:
 - **MODE LED AN:** Der Laser ist im Musik Modus
 - **MODE LED AUS:** Der Laser ist im Automatik Modus.

**5) DMX KONTROLLIERTER MODUS:**

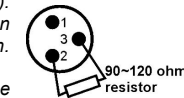
Der Laser kann mit jedem herkömmlichen DMX-Controller gesteuert werden in 2 verschiedenen DMX Moden gesteuert werden:

- **1 Kanal Modus:** für eine sehr einfache Bedienung! (das Display zeigt "1Ch")
 - **10 Kanal Modus:** für volle Kontrolle und alle Möglichkeiten. (das Display zeigt "10C")
 - Schließen Sie den DMX-Eingang des Lasers an den DMX-Ausgang des vorgeschalteten Geräts in der Kette oder direkt an den DMX-Ausgang Ihres Controllers.
 - Drücken Sie die FUNC-Taste bis auf dem Display "1Ch" oder "10C" erscheint.
 - Drücken Sie die UP / DOWN-Tasten, um die gewünschte DMX-modus (1Ch oder 10C) auszuwählen
 - Drücken sie die ENTER-Taste, um Ihre Auswahl zu bestätigen.
 - Drücken Sie die FUNC-Taste: eine dreistellige Zahl beginnt auf dem Display zu blinken
 - Drücken Sie die UP / DOWN-Tasten, um die gewünschte DMX-Adresse auszuwählen
 - Drücken sie die ENTER-Taste, um Ihre Auswahl zu bestätigen.
- In der nachfolgenden Tabelle finden Sie die Funktionen der verschiedenen Kanäle.

**Weitere Erläuterungen zu DMX512:**

Das DMX-Protokoll ist ein häufig verwendetes Hochgeschwindigkeitssignal zur Steuerung von intelligenten Lichtsystemen. Sie müssen Ihren DMX-Controller und alle angeschlossenen Lichteffekte mit einem hochwertigen symmetrischen XLR M/F Kabel hintereinander schalten (Daisy Chain).

Um durch Interferenzen hervorgerufene Fehlfunktionen der Lichteffekte zu vermeiden müssen Sie einen 90Ω bis 120Ω Abschlusswiderstand am Ende der Kette einsetzen. Verwenden Sie niemals Y-Splitter-Kabel, das würde nicht funktionieren! Jeder Effekt in der Kette benötigt seine eigene Startadresse, damit er erkennt, welche Befehle des Controllers er entschlüsseln muss.



1 KANAL DMX-KONFIGURATION DES LASERS:

KANAL	WERT	BESCHREIBUNG
K 1 MODI	000-024	Laser AUS (Black out)
	025-059	AUd-Modus (automatischer bewegende Punkte)
	060-099	AUP-Modus (automatischer bewegende Muster)
	100-139	AUn-Modus (automatischer bewegende Punkte+Muster)
	140-179	Sod-Modus (musikgetaktete Punkte)
	180-219	SoP-Modus (musikgetaktete Muster)
	220-255	Son-Modus (musikgetaktete Punkte+Muster)

10 KANÄLE DMX-KONFIGURATION DES LASERS:

WICHTIGER HINWEIS: DMX Kanal 1 dient zur Einstellung der verschiedenen Betriebsmodi des Lasers.

- Um den Laser im vollen 10 Kanalmodus benutzen zu können; muss Kanal 1 auf den Wert 175 oder höher gesetzt werden.
- Entsprechend den DMX-Werten von Kanal 1, 3 können verschiedene Tabellen angewendet werden:
 - Wert zwischen 175 und 199: siehe Tabelle „10K DMX-Tabelle 10-A“
 - Wert zwischen 200 und 224: siehe Tabelle „10K DMX-Tabelle 10-B“
 - Wert zwischen 225 und 255: siehe Tabelle „10K DMX-Tabelle 10-C“

CHANNEL	VALUE	BESCHREIBUNG
K 1 MODI	000-024	Laser AUS (Black out)
	025-049	AUn-Modus (automatischer bewegende Punkte+Muster)
	050-074	Son-Modus (musikgetaktete Punkte+Muster)
	075-099	AUP-Modus (automatischer bewegende Muster)
	100-124	SoP-Modus (musikgetaktete Muster)
	125-149	AUd-Modus (automatischer bewegende Punkte)
	150-174	Sod-Modus (musikgetaktete Punkte)
	175-199	DMX Modus mit PUNKTRASTER-Effekten → siehe 10CH DMX-Tabelle 10-A
	200-224	DMX modus mit GRATING PATTERN effects → see 10CH DMX-table 10-B
	225-255	DMX Modus mit herkömmlichen Mustereffekten → siehe 10CH DMX-Tabelle 10-C

10K DMX-Tabelle 10-A (DMX KANAL1 eingestellt auf Werte zwischen 175 und 199)

KANAL	WERT	BESCHREIBUNG
K 2 X-ACHSE IN BEWEGUNG	000-127	128 verschiedene festgelegte Positionen auf X-Achse
	128-191	Bewegung im Uhrzeigersinn
	192-255	Bewegung entgegen dem Uhrzeigersinn
K 3 Y-ACHSE IN BEWEGUNG	000-127	128 verschiedene festgelegte Positionen auf Y-Achse
	128-191	Bewegung im Uhrzeigersinn
	192-255	Bewegung entgegen dem Uhrzeigersinn
K 4 FARBEN	000-009	Laser Blackout
	010-063	Blau + grün EIN oder blau & grün Strobefunktion
	064-127	Blau EIN oder blau Strobe & grün AUS
	128-191	Grün EIN oder grün Strobe & blau AUS
	192-255	Blau + grün EIN oder blau & grün Strobefunktion

K 5 STROBE	000-009	Keine Strobefunktion
	010-249	Strobefunktion (langsam bis schnell)
	250-255	Strobefunktion im Takt der Musik
K 6 RASTER IN ROTATION	000-075	Drehung im Uhrzeigersinn (langsam bis schnell)
	076-150	Keine Drehung
	151-255	Drehung entgegen dem Uhrzeigersinn (langsam bis schnell)
K 7 → K 10		NICHT IN GEBRAUCH

10K DMX-Tabelle 10-B (DMX KANAL1 eingestellt auf Werte zwischen 200 und 224)

KANAL	WERT	BESCHREIBUNG
K 2	000-255	11 verschiedene Rastermuster
K 3 ZOOMEN	000-127	Musterabmessung: von groß (100%) bis klein (5%)
	128-169	Zoomfunktion ein (von groß bis klein + von langsam bis schnell)
	170-209	Zoomfunktion aus (von klein bis groß + von langsam bis schnell)
	210-255	Zoomfunktion ein & aus (von langsam bis schnell)
K 4 Y-ACHSE ROLLEN	000-127	0° bis 359° festgelegte Positionen rund um Y-Achse
	128-191	Rollen im Uhrzeigersinn rund um Y-Achse
	192-255	Rollen entgegen dem Uhrzeigersinn rund um Y-Achse
K 5 X-ACHSE ROLLEN	000-127	0° bis 359° festgelegte Positionen rund um X-Achse
	128-191	Rollen im Uhrzeigersinn rund um X-Achse
	192-255	Rollen entgegen dem Uhrzeigersinn rund um X-Achse
K 6 Z-ACHSE ROLLEN	000-127	0° bis 359° festgelegte Positionen rund um Z-Achse
	128-191	Rollen im Uhrzeigersinn rund um Z-Achse
	192-255	Rollen entgegen dem Uhrzeigersinn rund um Z-Achse
K 7 X-ACHSE IN BEWEGUNG	000-127	128 verschiedene festgelegte Positionen entlang der X-Achse
	128-191	Bewegung im Uhrzeigersinn entlang der X-Achse
	192-255	Bewegung entgegen dem Uhrzeigersinn entlang der X-Achse
K 8 Y-ACHSE IN BEWEGUNG	000-127	128 verschiedene festgelegte Positionen entlang der Y-Achse
	128-191	Bewegung im Uhrzeigersinn entlang der Y-Achse
	192-255	Bewegung entgegen dem Uhrzeigersinn entlang der Y-Achse
K 9 FARBE	000-016	BLAU
	017-031	GRÜN
	032-049	BLAU und GRÜN
	050-255	Farbwechsel
K 10 RASTER IN ROTATION	000	Keine Drehung der Raster
	001-075	Drehung der Raster im Uhrzeigersinn
	076-150	KEINE Drehung der Raster
	151-255	Drehung der Raster entgegen dem Uhrzeigersinn

10K DMX-Tabelle 10-C (DMX KANAL1 eingestellt auf Werte zwischen 225 und 255)

KANAL	WERT	BESCHREIBUNG
K 2	000-255	11 verschiedene Standard-Muster
K 3 ZOOMEN	000-127	Festgelegte Musterabmessung: von groß (100%) bis klein (5%)
	128-169	Zoomfunktion ein (von groß bis klein + von langsam bis schnell)
	170-209	Zoomfunktion aus (von klein bis groß + von langsam bis schnell)
	210-255	Zoomfunktion ein & aus (von langsam bis schnell)
K 4 Y-ACHSE ROLLEN	000-127	0° bis 359° festgelegte Positionen rund um Y-Achse
	128-191	Rollen im Uhrzeigersinn rund um Y-Achse
	192-255	Rollen entgegen dem Uhrzeigersinn rund um Y-Achse
K 5 X-ACHSE ROLLEN	000-127	0° bis 359° festgelegte Positionen rund um X-Achse
	128-191	Rollen im Uhrzeigersinn rund um X-Achse
	192-255	Rollen entgegen dem Uhrzeigersinn rund um X-Achse
K 6 Z-ACHSE ROLLEN	000-127	0° bis 359° festgelegte Positionen rund um Z-Achse
	128-191	Rollen im Uhrzeigersinn rund um Z-Achse
	192-255	Rollen entgegen dem Uhrzeigersinn rund um Z-Achse
K 7 X-ACHSE IN BEWEGUNG	000-127	128 verschiedene festgelegte Positionen entlang der X-Achse
	128-191	Bewegung im Uhrzeigersinn entlang der X-Achse
	192-255	Bewegung entgegen dem Uhrzeigersinn entlang der X-Achse
K 8 Y-ACHSE IN BEWEGUNG	000-127	128 verschiedene festgelegte Positionen entlang der Y-Achse
	128-191	Bewegung im Uhrzeigersinn entlang der Y-Achse
	192-255	Bewegung entgegen dem Uhrzeigersinn entlang der Y-Achse
K 9 FARBE	000-016	Originalfarben
	017-031	BLAU
	032-047	GRÜN
	048-062	BLAU und GRÜN
	063-160	Wechselnd zwischen blau und grün (von langsam bis schnell)
	161-255	Wechselnde Mischung aus 3 Farben (von langsam bis schnell)
K 10		NICHT IN GEBRAUCH

WARTUNG UND INSTANDHALTUNG

- Sicherstellen, dass sich keine unbefugten Personen unterhalb des Geräts befinden, während es gewartet wird.
- Gerät ausschalten, Netzstecker ziehen und warten, bis es sich abgekühlt hat.

Während der Wartung sind folgende Punkte ganz besonders zu beachten:

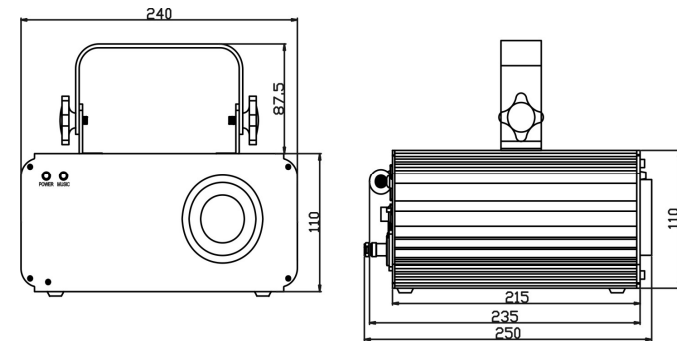
- Sämtliche Schrauben zur Installation und Befestigung jeglicher Teile müssen fest angezogen und rostfrei sein.
- Gehäuse, Befestigungsmaterialien und Aufhängungen (Decke, Balken, abgehängte Decken) dürfen keine Anzeichen von Verformung zeigen.
- Ist die Optik sichtbar beschädigt (Sprünge oder tiefe Kratzer), dann müssen die entsprechenden Teile ausgewechselt werden.
- Netzkabel muß stets in einwandfreiem Zustand sein und selbst bei kleinsten Beschädigungen erneuert werden.

- Zur Vermeidung von Überhitzung müssen die Ventilatoren (sofern vorhanden) und Lüftungsschlitze monatlich gereinigt werden.
- Gerät innen mindestens einmal pro Jahr mit Staubsauger oder Airjet reinigen.
- Reinigung der inneren und äußeren optischen Linsen und/oder Spiegel müssen in regelmäßigen Abständen zur Beibehaltung einer optimalen Lichtausbeute vorgenommen werden. Reinigungsintervalle hängen stark von der Umgebung ab: feuchte, verrauchte und besonders verschmutzte Umgebung führen zu größerer Verschmutzung auf den Linsen.
 - Mit weichem Tuch und gewöhnlichem Glasreiniger säubern.
 - Alle Teile stets gut abtrocknen.
 - Äußere Optik mindestens alle 30 Tage säubern.
 - Innere Optik mindestens alle 90 Tage säubern.

Achtung: Wir empfehlen dringend, Reinigung im Innern des Geräts nur von qualifiziertem Personal durchführen zu lassen!

TECHNISCHE EINZELHEITEN

Netzspannung:	AC 100~240V, 50/60Hz
Sicherung:	250V / 1A langsame Sicherung (20mm Glas)
Leistungsaufnahme:	30W
Klangregler:	Eingebautes Mikrofon
DMX Anschlüsse:	3-pin XLR Stecker/Buchse
DMX Kanäle:	1 oder 10 Kanäle
DMX Adressierung:	001 → 512
Laser Leistung:	40mW Grün CW Laser (Wellenlänge = 532nm) 200mW Blau CW Laser (Wellenlänge = 650nm)
Laser Klasse:	3B
Strahldurchmesser @ Öffnung:	<5mm
Divergenz (jeder Strahl)	<2 mrad
Divergenz (Gesamtleistung)	<160°
Betriebstemperatur:	15°C bis 40°C
Laser Sicherheits Standard:	EN/IEC 60825-1 Ed2, 2007-03
Abmessungen:	siehe Zeichnung
Gewicht:	2,6kg



Technische Änderungen, können auch ohne Vorankündigung vorgenommen werden!
Sie können die aktuellste Version dieser Bedienungsanleitung von unserer Internetseite herunterladen:
www.beglec.com

MANUAL DE INSTRUCCIONES

Gracias por la compra de este producto JB Systems®. Para sacar todo el rendimiento de las posibilidades de este aparato y por su propia seguridad, por favor lea este manual de instrucciones con mucho cuidado antes de utilizar esta unidad.

CARACTERÍSTICAS

Esta unidad no interfiere con señales de radio. Este producto cumple las exigencias de las directrices actuales Europeas y nacionales. Se ha establecido conformidad y las declaraciones y documentos relevantes se han depositado por el fabricante.

- Este aparato ha sido diseñado para producir efecto de iluminación decorativa y se usa en sistemas de iluminación de espectáculos.
- Lo mejor de ambos mundos: ¡un láser tradicional de 2 colores + efectos de láser tipo ráfaga en una unidad!
- Fabulosos espectáculos de láser preprogramados para todo tipo de aplicaciones: bar lounge, discotecas, DJ portátil, ...
- Láser clase 3B laser basado en un láser verde 40mW 532nm + láser azul 200mW 450nm.
- Diferentes modalidades de trabajo:
 - Control DMX: 1 canal para fácil operación o 10 canales para el control total
 - Independiente: sonido activado (con el micrófono interno) o automático
 - Maestro/esclavo: espectáculos perfectamente sincronizados
 - Controlador remoto CA-8 opcional disponible
- Pantalla LED de 3 dígitos para facilitar la navegación a través de los menús
- En conformidad con el estándar de seguridad para láser EN/IEC 60825-1 2007
- Entrada de bloqueo interno para seguridad extra

ANTES DEL USO

- Antes de utilizar esta unidad, por favor compruebe que no hay daños causados por el transporte. En caso contrario, no utilice este aparato y consulte a su vendedor.
- **Importante:** Este aparato salió de la empresa en perfecto estado y bien empaquetado. Es absolutamente necesario por parte del usuario seguir estrictamente las instrucciones de seguridad y advertencias de este manual. Cualquier daño causado por manejo inadecuado no estará sujeto a la garantía. El vendedor no aceptará responsabilidad por ningunos defectos o problemas que resulten de ignorar este manual del usuario.
- Mantenga este folleto en un lugar seguro para consultas futuras. Si vende esta instalación, asegúrese de añadir este manual de usuario.
- Para proteger el medio ambiente, por favor intente reciclar el material de empaquetado tanto como sea posible.

Compruebe el contenido:

Compruebe que la caja contiene los siguientes ítems:

- Unidad RADIANT LASER
- 2 llaves (por el interruptor con llave)
- Cable de Alimentación
- Instrucciones de manejo

INSTRUCCIONES DE SEGURIDAD:



CAUTION
RISK OF ELECTRIC SHOCK
DO NOT OPEN



PRECAUCIÓN: Para Reducir el riesgo de electrocución, no quite la cubierta superior. Ninguna pieza usable adentro para el utilizador. Diríjase únicamente a personal cualificado.



El símbolo de un rayo en el interior de un triángulo alerta sobre la presencia o el uso de elementos no aislados donde un voltaje peligroso constituye un riesgo grande para causar una eventual electrocución.



El punto de exclamación en el interior de un triángulo alerta al usuario sobre la presencia de importantes instrucciones de operación y de mantenimiento tenidas en cuenta en el manual de uso.



Este símbolo significa : uso para el interior solamente.



Este símbolo significa : Lea las instrucciones.



Este símbolo se determina: la distancia mínima de objetos iluminado. La distancia mínima entre el proyector y el objeto iluminado debe ser más de 1 metro.

- Afin de evitar todo riesgo de incendio o electrocución, no exponer el aparato a la lluvia o ambiente humedo.
- Un nuevo efecto de luz algunas veces causa algún olor y/o humo no deseados. Esto es normal y desaparece después de algunos minutos.
- Para evitar fuego o riesgos de descargas no exponga este aparato a la lluvia o humedad.
- Para evitar que se forme condensación en el interior de un triángulo alerta sobre la presencia de importantes instrucciones de operación y de mantenimiento tenidas en cuenta en el manual de uso.
- Para evitar que la lleve a una habitación cálida después de transporte. Condensación algunas veces impide que la unidad funcione a rendimiento pleno o puede incluso causar daños.
- Esta unidad es sólo para uso interior.
- No coloque objetos metálicos o derrame líquidos dentro de la unidad. Podría resultar descarga eléctrica o mal funcionamiento. Si un objeto extraño entrara en la unidad, desconecte inmediatamente la fuente de alimentación.
- Coloque la instalación en un lugar bien ventilado, alejado de cualquier material inflamable y/o líquidos. La instalación debe ser fijada al menos a 50 cm. de distancia de los muros circundantes.
- No cubra ninguna apertura de ventilación ya que esto podría resultar en sobrecalentamiento.
- Evite su uso en ambientes polvorientos y limpie la unidad regularmente.
- Mantenga la unidad alejada de los niños.
- Personas sin experiencia no deberían manejar este aparato.
- La temperatura ambiente se mantiene entre 15 ° y 40 ° C. No use esta unidad a temperaturas más elevadas.
- Asegúrese de que el área por debajo del sitio de instalación está libre de personas ajenas durante el montaje, desmontaje y reparación.
- Siempre desenchufe la unidad cuando no la use por un periodo de tiempo largo o antes de cambiar la bombilla o comenzar una reparación.
- La instalación eléctrica debería ser llevada a cabo sólo por personal cualificado, acorde a las regulaciones para seguridad eléctrica y mecánica de su país.
- Compruebe que el voltaje disponible no es superior al que aparece en el panel trasero de la unidad.
- El cable de alimentación debería estar siempre en perfectas condiciones: apague el aparato inmediatamente cuando el cable de alimentación esté roto o dañado. Debe ser substituido por el fabricante, su servicio técnico o otra persona cualificada.
- ¡Nunca deje el cable de alimentación entrar en contacto con otros cables!
- Esta instalación debe ser conectada a tierra para cumplir con las regulaciones de seguridad.
- No conecte la unidad a ningún paquete de Reducción de luz.
- Siempre use un cable de seguridad apropiado y certificado cuando instale la unidad.
- Para prevenir descargas eléctricas, no abra la tapa. Aparte de la lámpara y fusibles principales no hay partes que puedan ser reparadas por el usuario en su interior.
- **Nunca** repare un fusible o haga un bypass al fusible. **¡Siempre** sustituya el fusible dañado por un fusible del mismo tipo y especificaciones eléctricas!
- En el caso de problemas serios de manejo, deje de usar la instalación y contacte con su vendedor inmediatamente.
- La carcasa y las lentes deben ser cambiadas si hay daño visible.
- Por favor, use el empaquetado original cuando el aparato deba ser transportado.
- Debido a motivos de seguridad está prohibido hacer modificaciones sin autorizar a la unidad.

Importante: ¡Nunca mire directamente a la fuente de luz! No use el efecto en presencia de personas que sufran de epilepsia.

INSTRUCCIONES DE SEGURIDAD LÁSER:

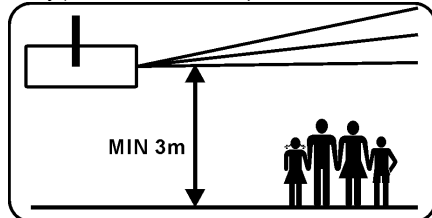
Segun la norma EN/IEC 60825-1 Ed2, 2007-03 este aparato de láser corresponde a la categoría 3B. Mirar directamente en el rayo de aparatos láser de esta categoría puede ser peligroso.



ATENCIÓN RADIACIÓN LÁSER
Evitar una irradiación directa de los ojos. Radiación láser puede causar daños de los ojos o/y de la piel. Todas las provisiones protectoras para una operación segura de este láser deben ser respetados!

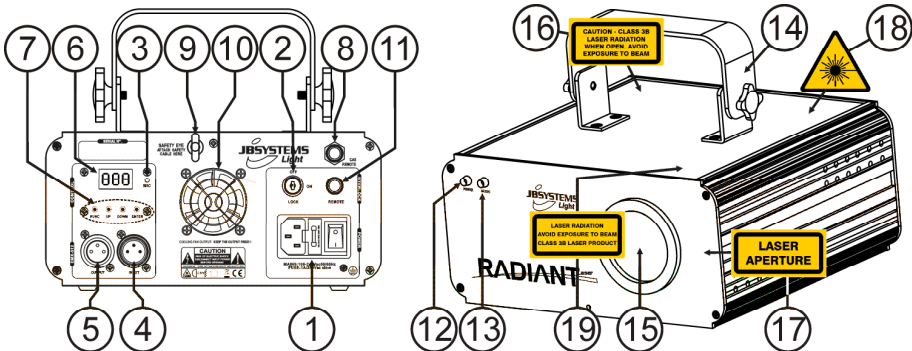


- Este producto es un showlaser listo para el uso que emite radiación visible entre 400 y 700 nm y que puede ser utilizado para shows etc.
- La luz del láser es diferente de cualquier otra fuente luminosa con la cual usted se puede familiarizar. La luz de este producto puede potencialmente causar heridas en los ojos si no está instalado y usado correctamente. La luz del láser es miles de veces más concentrada que la luz de cualquier otra fuente luminosa. Esta potente concentración de luz puede causar heridas inmediatas en la vista, principalmente por quemaduras de la retina (la parte sensible detrás del ojo). Incluso si usted no puede sentir "el calor" de un rayo láser, esto no impide que pueda herir o cegar las personas.
- Incluso cantidades muy pequeñas de luz láser son potencialmente peligrosas, incluso a grandes distancias.
- Nunca mire a la apertura del láser o rayos láser
- Nunca orientar el rayo láser en personas u animales.
- Nunca operar el aparato sin observación.
- Este láser debe sólo ser utilizado para producir lasershows. Utilizar un showlaser de la categoría 3B es sólo admitido cuando la operación está controlado y observado por un operador cualificado y educado.
- Según su categoría, la utilización de un laser puede producir radiaciones que dañan definitivamente los ojos y/o la piel. Las leyes sobre el uso de un producto laser cambian de un país a otro. El usuario tiene que informarse y aplicar las legislaciones y medidas de seguridad en vigor dentro de su país.
- The El documento principal es la piedra angular en normas de láser de seguridad ANSI Z136.1 (2007) proporciona la guía para el empleo seguro de láseres y sistemas de láser definiendo medidas de control para cada una de las cuatro clases de láser. Este valioso documento puede ser obtenido a partir de www.laserinstitute.org



JB SYSTEMS no es responsable para daños causados por instalaciones con falta de objetividad y operación y manejo de modo diferente.

DESCRIPCION:



1. **ENTRADA DE CORRIENTE:** con toma IEC y soporte de fusible integrado, conecte aquí el cable de alimentación.
2. **INTERRUPTOR DE LLAVE ON/OFF:** usado para encender y apagar la unidad. Use las llaves para asegurarse de que sólo un operario capacitado pueda encender el láser.
3. **MICRÓFONO INTERNO:** El micrófono integrado se utiliza para sincronizar el espectáculo láser al ritmo de la música.
4. **ENTRADA DMX:** Conector XLR macho de 3 pin usado para conectar cable DMX universales. Esta entrada recibe instrucciones de un controlador DMX.
5. **SALIDA DMX:** Conector XLR hembra de 3 pin usado para conectar el RADIANT LASER con la siguiente unidad de la cadena DMX.
6. **PANTALLA:** muestra la dirección DMX seleccionada cuando la unidad está en modo DMX. Además del modo DMX, también se pueden seleccionar otros 4 modos, consulte más abajo para obtener más detalles sobre estos modos de funcionamiento.
7. **PANEL DE CONTROL:** Se utiliza para controlar las diferentes funciones del láser, consulte más abajo para obtener detalles de cómo utilizar la unidad.
8. **ENTRADA DEL MANDO A DISTANCIA:** Entrada para el mando a distancia manual CA-8, consulte más abajo para obtener detalles sobre este tema
9. **OJO DE SEGURIDAD:** usado para unir un cable de seguridad cuando la unidad esté colgada (ver párrafo "aparejado superior")
10. **VENTILADOR DE REFRIGERACIÓN:** se usa para enfriar los componentes dentro del chasis. Asegúrese de no tapar nunca la salida del ventilador.
11. **DISPOSITIVO DE SEGURIDAD :** previsto como interruptor de paro opcional de emergencia (véase el cuadro). Cuando se pulsa este interruptor el rayo laser desaparecerá inmediatamente.



**¡IMPORTANTE! le recomendamos conectar este switch de seguridad opcional!
EL LÁSER NO FUNCIONARÁ SI EL ENCLAVAMIENTO DE LA ENTRADA NO SE UTILIZA.
Temporal Solución: Instale el conector adicional en el láser (ver foto)**

12. **LUZ DE ENCENDIDO:** indica que la unidad está encendida.
13. **LUZ DE SONIDO:** parpadea al sonido de la música detectada por el micrófono interno.
14. **SOPORTE PARA COLGAR:** con 2 rocas a ambos lados para fijar la unidad y un agujero de montaje para ajustar un gancho de montaje.
15. **SALIDA LÁSER:** El rayo láser abandona el chasis por aquí, asegúrese de no mirar NUNCA dentro de la unidad por este agujero cuando el efecto láser esté activado.
16. **ETIQUETA DE ADVERTENCIA:** "Precaución – Láser Clase 3R. Radiación láser cuando esté abierto. Evite la exposición al rayo."
17. **ETIQUETA DE ADVERTENCIA:** "Apertura láser"
18. **SÍMBOLO DE ADVERTENCIA DE LÁSER:** avisa acerca de un láser potencialmente peligroso cuando no es usado por operarios preparados.
19. **ETIQUETA DE AVISO:** "Radiación láser. Evite la exposición al láser. Producto láser clase 3B"



APAREJADO SUPERIOR

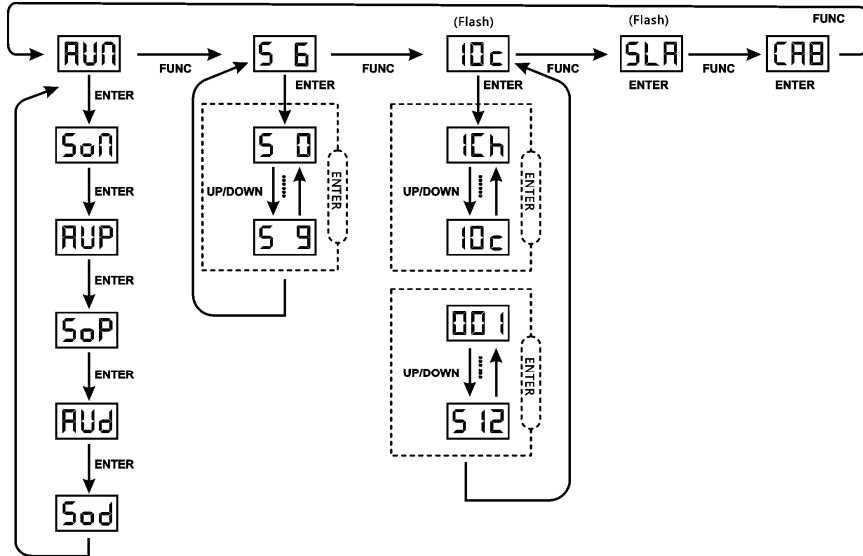
- **Importante:** La instalación debe ser llevada a cabo sólo por personal cualificado. Una instalación impropia podría resultar en serias heridas y/o daño a la propiedad. ¡El aparejado superior requiere una larga experiencia! Los límites de las cargas de trabajo deben respetarse, materiales certificados de instalación deben ser usados, el aparato instalado debería ser inspeccionado regularmente por seguridad.
- Asegúrese de que el área por debajo del sitio de instalación está libre de personas ajenas durante el montaje, desmontaje y reparación.
- Coloque la instalación en un sitio bien ventilado, lejos de cualquier material inflamable y/o líquidos. La instalación debe ser fijada **al menos a 50cm** de los muros circundantes.
- El aparato debería ser instalado fuera del alcance de la gente y fuera de áreas donde personas puedan caminar o sentarse.
- Antes del aparejado asegúrese de que el área de instalación puede soportar un mínimo punto de carga de 10 veces el peso del aparato.
- Siempre use un cable de seguridad certificado que pueda sostener 12 veces el peso del aparato. Este añadido secundario de seguridad debería ser instalado de una forma que no hubiera parte de la

- instalación que pudiera caer más de 20cm si el añadido principal falla.
- El aparato debe ser bien fijado, ¡un montaje que se mueva con libertad es peligroso y no debe considerarse!
 - No cubra ninguna apertura de ventilación ya que esto podría resultar en sobrecalentamiento.
 - El operador tiene que asegurarse de que las instalaciones relativas a seguridad, maquinaria y técnica están aprobadas por un experto antes de usarlas la primera vez. Las instalaciones deberían ser inspeccionadas cada año por una persona con conocimientos para asegurar que la seguridad es todavía óptima.



PRUDENCIA, DAÑA LOS OJOS : Colocar siempre el laser de forma que el publico no pueda mirar directamente el rayo laser. Asegurese que el rayo no « toque » al publico.

CÓMO CONFIGURAR Y USAR LA UNIDAD



SENSIBILIDAD DE ENTRADA:

La unidad funciona al ritmo de la musica cuando se utiliza en modo independiente o maestro / esclavo

Para ajustar la sensibilidad de entrada de música:

- Pulse el botón FUNC hasta que la pantalla muestre "S 0" ... "S 9"
- Pulse el botón ENTER para confirmar su selección.
- Utilice el botón DOWN y UP para seleccionar un valor entre "S 0" (muy baja sensibilidad) y "S 9" (alta sensibilidad).
- Una vez que haya seleccionado la modalidad, pulse el botón ENTER para guardarla.

Puede usar la unidad de 5 formas:

1 MODO CONTROLADO MEDIANTE LA MÚSICA:

El láser ejecuta una secuencia programada al ritmo de la música. Seleccione este modo cuando sólo utilice 1 láser (independiente) o cuando el láser se establezca como primera unidad (maestra) en una cadena con varios láser Radiant .

- Pulse el botón FUNC hasta que la pantalla muestre SoN, AUN, Sod, AUd, SoP o AUP
- Utilice el botón DOWN y UP para seleccionar:
 - Modo Son (Espectáculo aleatorio activado por el sonido, con patrón y efectos tipo Red)
 - Modo Sod (Espectáculo con efectos tipo Red activado por el sonido)

- Modo SoP (Espectáculo con efectos de patrón activado por el sonido)
 - Pulse el botón ENTER para confirmar su selección.
- Puede conectar varios láser Radiant juntos: coloque la primera unidad de la cadena en uno de los modos de efectos de sonido activado y las otras unidades en "modo esclavo" (display indica "SLA") para hacer que funcionen perfectamente sincronizadas.
- Nota:** cuando no se detecte música, la salida de láser se apagará (oscurecimiento).

2) MODO TOTALMENTE AUTOMÁTICO:

El láser ejecuta automáticamente una secuencia preprogramada. Seleccione este modo cuando sólo utilice 1 láser (independiente) o cuando el láser se establezca como primera unidad (maestra) en una cadena con varios láser Radiant .

- Pulse el botón FUNC hasta que la pantalla muestre SoN, AUN, Sod, AUd, SoP o AUP
- Utilice el botón DOWN y UP para seleccionar:
 - Modo AUn (Espectáculo de ejecución automática y de forma aleatoria, con patrón y efecto tipo Red)
 - Modo AUd (Espectáculo con efectos tipo Red de ejecución automática)
 - Modo AUP (Espectáculo con efectos de patrón de ejecución automática)

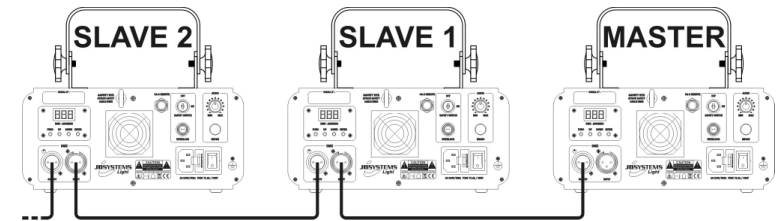
- Pulse el botón ENTER para confirmar su selección.
- El láser ejecuta automáticamente una secuencia preprogramada. Puede conectar varios láser Radiant juntos: coloque la primera unidad de la cadena en uno de los modos de efectos automaticos y las otras unidades en "modo esclavo" (display indica "SLA") para hacer que funcionen perfectamente sincronizadas

3) MODO ESCLAVO:

El láser sigue las instrucciones dadas por el primer láser Radiant (maestro) en la cadena.

- Conecte la entrada DMX del láser a la salida DMX del primer láser en la cadena.
- Pulse el botón FUNC hasta que la pantalla muestre "SLA"
- Pulse el botón ENTER para confirmar su selección.

El láser ejecuta automáticamente una secuencia preprogramada. Puede conectar varios láser Radiant juntos: coloque la primera unidad de la cadena en "modo de música o automático" y las otras unidades en "modo esclavo" (display indica "SLA") para hacer que funcionen perfectamente sincronizadas

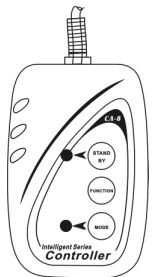


4) MODO DE CONTROLADOR FÁCIL:

Se puede conectar un controlador CA-8 opcional de forma que pueda controlar el láser desde la distancia. Cuando haya conectados varios láser Radiant en modo maestro/esclavo, deberá conectar el controlador CA-8 a la primera unidad en la cadena. Todas las unidades seguirán las instrucciones dadas por el mando a distancia CA-8.

- Conecte el controlador CA-8 a la entrada del mando a distancia (8) en la parte trasera.
 - Pulse el botón FUNC hasta que la pantalla muestre "CA8"
 - Pulse el botón ENTER para confirmar su selección.
- Estas son las funciones disponibles en el controlador CA-8:

- **Botón STANDBY:** Se utiliza para establecer el láser en oscurecimiento (sin salida). El LED standby permanecerá encendido durante el oscurecimiento.
- **Botón FUNCTION:** permite seleccionar el color (original → verde → azul → verde+ azul → original)
- **Botón MODE:** Se utiliza para cambiar entre los diferentes modos:
 - **MODO LED ON:** Laser is in sound mode
 - **MODO LED OFF:** Laser is in automatic mode

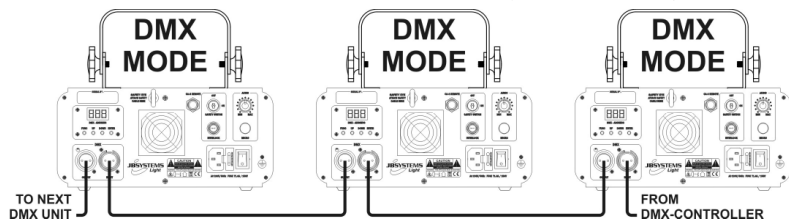


5) MODO OPERADO POR DMX:

El láser puede ser controlado por cualquier controlador DMX estándar según 2 modos DMX diferentes:

- **MODO 1 CANAL:** de muy fácil configuración y uso! (pantalla muestra "1Ch")
- **MODO 10 CANALES:** para un control completo de todas las posibilidades. (pantalla muestra "10Ch")
- Conecte la entrada DMX a la salida DMX de la unidad anterior en la cadena o directamente a la salida DMX del controlador.
- Pulse el botón FUNC hasta que la pantalla muestre "1Ch" o "10Ch".
- Pulse los botones ARRIBA / ABAJO para seleccionar el modo DMX. (1Ch o 10Ch)
- Pulse el botón ENTER para confirmar su selección.
- Pulse el botón FUNC: el número de 3 dígitos en la pantalla empieza a parpadear
- Seleccione la dirección DMX que desee
- Pulse el botón ENTER para confirmar su selección.

Nota: la pantalla parpadea cuando la unidad está en modo DMX y no se detecta ninguna señal DMX.



Información sobre DMX512:

El protocolo DMX es una señal de alta velocidad muy utilizada para controlar equipo de iluminación inteligente. Necesita conectar en cadena tipo margarita su controlador DMX y todos los efectos luminosos conectados con un cable XLR M/F equilibrado de buena calidad. Para evitar un comportamiento anómalo de los efectos luminosos, debido a interferencias, debe utilizar un terminador de 90Ω a 120Ω al final de la cadena. Nunca utilice cables divisores en Y, ¡No funcionarán!

Cada efecto en la cadena necesita disponer de su propia dirección de inicio de forma que sepa qué comando del controlador debe descodificar.



CONFIGURACIÓN DEL LÁSER PARA 1 CANAL DMX:

CANAL	VALOR	DESCRIPCIÓN
CANAL 1 MODOS	000-024	Láser APAGADO (Oscurecimiento)
	025-059	Modo AUd (Espectáculo con efectos tipo Red automático)
	060-099	Modo AUP (Espectáculo con efectos de patrón automático)
	100-139	Modo AUUn (Espectáculo con efectos tipo Red automático + patrón)
	140-179	Modo Sod (Espectáculo con efectos tipo Red activado por el sonido)
	180-219	Modo SoP (Espectáculo con efectos de patrón activado por el sonido)
	220-255	Modo Son (Espectáculo con efectos tipo Red activado por el sonido/con patrón)

CONFIGURACIÓN DEL LÁSER PARA 10 CANALES DMX:

OBSERVACIÓN IMPORTANTE: El canal DMX 1 se utiliza para ajustar los diferentes modos de funcionamiento del láser.

- Para utilizar el láser en el modo de 10 canales completo, el canal 1 debe establecerse en el valor 175 o superior.
- Dependiendo de los valores DMX del canal 1, se pueden aplicar 3 diferentes tablas:
 - Valor entre 175 y 199: consulte la tabla "10CH DMX-tabla 10-A"
 - Valor entre 200 y 224: consulte la tabla "10CH DMX-tabla 10-B"
 - Valor entre 225 y 255: consulte la tabla "10CH DMX-tabla 10-C"

CANAL	VALOR	DESCRIPCIÓN
CANAL 1 MODOS	000-024	Láser APAGADO (Oscurecimiento)
	025-049	Modo AUUn (Espectáculo con efectos tipo Red automático + efectos de patrón)
	050-074	Modo Son (Espectáculo con efectos tipo Red activado por el sonido/efectos de patrón)
	075-099	Modo AUP (Espectáculo con efectos de patrón automático)
	100-124	Modo SoP (Espectáculo con efectos de patrón activado por el sonido)
	125-149	Modo AUd (Espectáculo con efectos tipo Red automático)
	150-174	Modo Sod (Espectáculo con efectos tipo Red activado por el sonido)
	175-199	Modo DMX con efectos DE PUNTO TIPO RED → consulte 10CH DMX-tabla 10-A
	200-224	Modo DMX con efectos de PATRÓN TIPO RED → consulte 10CH DMX-tabla 10-B
	225-255	Modo DMX con efectos de patrón tradicionales → consulte 10CH DMX-tabla 10-C

10 CH DMX-tabla 10-A (DMX CANAL1 establecido entre valores de 175 y 199)

CANAL	VALOR	DESCRIPCIÓN
CANAL 2 MOVIMIENTO EJE X	000-127	128 diferentes posiciones fijas en el eje X
	128-191	Movimiento en el sentido de las manecillas del reloj
	192-255	Movimiento en el sentido contrario al de las manecillas del reloj
CANAL 3 MOVIMIENTO EJE Y	000-127	128 diferentes posiciones fijas en el eje Y
	128-191	Movimiento en el sentido de las manecillas del reloj
	192-255	Movimiento en el sentido contrario al de las manecillas del reloj
CANAL 4 COLORES	000-009	Oscurecimiento de láser
	010-063	Azul + verde ENCENDIDO ó azul y verde estroboscópico
	064-127	Azul ENCENDIDO ó azul estroboscópico y verde APAGADO
	128-191	Verde ENCENDIDO ó verde estroboscópico y azul APAGADO
	192-255	Azul + verde ENCENDIDO ó azul y verde estroboscópico alternativamente
CANAL 5 ESTROBOSCÓPICO	000-009	Sin luz estroboscópica
	010-249	Con luz estroboscópica (de baja a alta velocidad)
	250-255	Estroboscópico siguiendo el ritmo de la música
CANAL 6 EFECTO DE RED ROTACIÓN	000-075	Rotación en el sentido de las manecillas del reloj (de baja a alta velocidad)
	076-150	Sin rotación
	151-255	Rotación en el sentido contrario al de las manecillas del reloj (de baja a alta velocidad)
CANAL 7 → CANAL 10		NO SE UTILIZA

10CH DMX-tabla 10-B (DMX CANAL1 establecido entre valores de 200 y 224)

CANAL	VALOR	DESCRIPCIÓN
CANAL 2	000-255	11 diferentes patrones de Red
CANAL 3 ZOOM	000-127	Tamaño de patrón: de grande (100%) a pequeño (5%)
	128-169	Acercamiento (de grande a pequeño + de lento a rápido)
	170-209	Alejamiento (de pequeño a grande + de lento a rápido)
	210-255	Acercamiento y alejamiento (de lento a rápido)
CANAL 4 EJE Y RODANTE	000-127	0° a 359° de posicionamiento fijo alRededor del eje Y
	128-191	Rodante en el sentido de las manecillas del reloj alRededor del eje Y
	192-255	Rodante en el sentido contrario al de las manecillas del reloj alRededor del eje Y
CANAL 5 EJE X RODANTE	000-127	0° a 359° de posicionamiento fijo alRededor del eje X
	128-191	Rodante en el sentido de las manecillas del reloj alRededor del eje X
	192-255	Rodante en el sentido contrario al de las manecillas del reloj alRededor del eje X
CANAL 6 EJE Z RODANTE	000-127	0° a 359° de posicionamiento fijo alRededor del eje Z
	128-191	Rodante en el sentido de las manecillas del reloj alRededor del eje Z
	192-255	Rodante en el sentido contrario al de las manecillas del reloj alRededor del eje Z
CANAL 7 MOVIMIENTO EN EL EJE X	000-127	128 diferentes posiciones fijas a lo largo del eje X
	128-191	Movimiento en el sentido de las manecillas del reloj a lo largo del eje X
	192-255	Movimiento en el sentido contrario al de las manecillas del reloj a lo largo del eje X
CANAL 8 MOVIMIENTO EN EL EJE Y	000-127	128 diferentes posiciones a lo largo del eje Y
	128-191	Movimiento en el sentido de las manecillas del reloj a lo largo del eje Y
	192-255	Movimiento en el sentido contrario al de las manecillas del reloj a lo largo del eje Y
CANAL 9 COLOR	000-016	AZUL
	017-031	VERDE
	032-049	AZUL Y VERDE
	050-255	Cambio de color
CANAL 10 TIPO RED ROTACIÓN	000	Sin rotación tipo Red
	001-075	Rotación en el sentido de las manecillas del reloj tipo Red
	076-150	Sin rotación tipo Red
	151-255	Rotación en el sentido contrario al de las manecillas del reloj tipo Red

• 10CH DMX-tabla 10-C (DMX CANAL1 establecido entre valores de 225 y 255)

CANAL	VALOR	DESCRIPCIÓN
CANAL 2	000-255	11 diferentes posiciones estándar
CANAL 3 ZOOM	000-127	Tamaño del patrón fijo: de grande (100%) a pequeño (5%)
	128-169	Acercamiento (de grande a pequeño + de lento a rápido)
	170-209	Alejamiento (de pequeño a grande + de lento a rápido)
	210-255	Acercamiento y alejamiento (de lento a rápido)
CANAL 4 EJE Y RODANTE	000-127	0° a 359° de posicionamiento fijo alRededor del eje Y
	128-191	Rodante en el sentido de las manecillas del reloj alRededor del eje Y
	192-255	Rodante en el sentido contrario al de las manecillas del reloj alRededor del eje Y
CANAL 5 EJE X RODANTE	000-127	0° a 359° de posicionamiento fijo alRededor del eje X
	128-191	Rodante en el sentido de las manecillas del reloj alRededor del eje X
	192-255	Rodante en el sentido contrario al de las manecillas del reloj alRededor del eje X
CANAL 6 EJE Z RODANTE	000-127	0° a 359° de posicionamiento fijo alRededor del eje Z
	128-191	Rodante en el sentido contrario al de las manecillas del reloj alRededor del eje Z
	192-255	Rodante en el sentido contrario al de las manecillas del reloj alRededor del eje Z
CANAL 7 MOVIMIENTO EN EL EJE X	000-127	128 diferentes posiciones fijas a lo largo del eje X
	128-191	Movimiento en el sentido de las manecillas del reloj a lo largo del eje X
	192-255	Movimiento en el sentido contrario al de las manecillas del reloj a lo largo del eje X
CANAL 8 MOVIMIENTO EN EL EJE Y	000-127	128 diferentes posiciones fijas a lo largo del eje Y
	128-191	Movimiento en el sentido de las manecillas del reloj a lo largo del eje Y
	192-255	Movimiento en el sentido contrario al de las manecillas del reloj a lo largo del eje Y
CANAL 9 COLOR	000-016	Colores originales
	017-031	AZUL
	032-047	VERDE
	048-062	AZUL + VERDE
	063-160	Cambio entre azul y verde (de lento a rápido)
	161-255	Cambio en una mezcla de 3 colores (de lento a rápido)
CANAL 10		NO SE UTILIZA

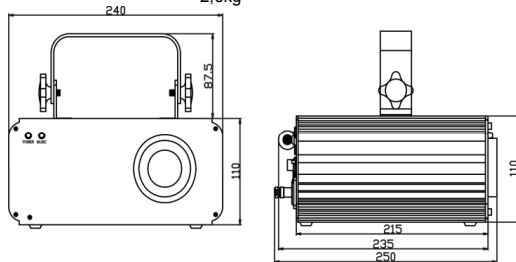
MANTENIMIENTO

- Asegúrese de que el área por debajo del por debajo del sitio de instalación está libre de personas ajenas durante la reparación.
- Apague la unidad, desconecte el cable principal y espere hasta que la unidad se haya enfriado.
- **Durante la inspección los siguientes puntos deben ser comprobados:**
- Todos los tornillos usados para la instalación del aparato y cualquiera de sus partes deben ser apretados fuertemente y no pueden estar corroídos.
- Carcasas, fijaciones y puntos de instalación (techos, armaduras, suspensiones) deberán estar totalmente libres de ninguna deformación.
- Cuando una lente óptica esté visiblemente dañada debido a golpes o rayados profundos, debe ser cambiada.
- Los cables principales deben estar en una condición impecable y deben ser cambiados de inmediato cuando incluso un pequeño problema se detecte.
- En orden de proteger al aparato de sobrecalentamiento, los ventiladores de enfriamiento (caso de haberlos) y las aperturas de ventilación deberían ser limpiados mensualmente.
- El interior del aparato debería ser limpiado anualmente usando una aspiradora o máquina de aire.
- La limpieza de lentes y/o espejos internos y externos debe ser llevada a cabo periódicamente para optimizar la salida de luz. La frecuencia de limpieza depende del ambiente en el cual la instalación está funcionando: húmedo, con humo o con alRededores particularmente sucios puede causar una mayor acumulación de polvo en las ópticas de la unidad.
 - Limpie con un trapo suave usando productos limpiadores normales de cristal.
 - Seque siempre las partes cuidadosamente.
 - Limpie las ópticas externas al menos una vez cada 30 días.
 - Limpie las ópticas internas al menos casa 90 días.

Atención: ¡Recomendamos con insistencia que la limpieza interna sea llevada a cabo por personal cualificado!

ESPECIFICACIONES

Alimentación:	AC 100~240V, 50/60Hz
Fusible:	250V / 1A Volado rápido (cristal de 20mm)
Consumo de energía Total:	30W
Control de sonido:	Microfófono Interno
Conexiones DMX :	3pin XLR macho / hembra
Canales DMX:	1 o 10 canales
Dirección de comienzo:	001 → 512
Potencia del laser:	CW Laser 40mW Verde ($\lambda = 532\text{nm}$) CW Laser 200mW Azul ($\lambda = 450\text{nm}$)
Clase de laser:	3B
Diámetro de apertura de haz:	<5mm
Divergencia (cada haz)	<2 mrad
Divergencia (salida total)	<160°
Temperatura de funcionamiento:	15°C a 40°C
Norma de seguridad Laser:	EN/IEC 60825-1 Ed2, 2007-03
Tamaño:	Consulte el gráfico
Peso:	2,6kg



Toda la información está sujeta a cambio sin previo aviso
Puede pinchar la última versión del manual en nuestro sitio internet www.beglec.com

MANUAL DO UTILIZADOR

Obrigado por ter adquirido este produto da JB Systems®. De modo a tirar total proveito das possibilidades deste produto, por favor leia este manual com atenção.

CARACTERÍSTICAS

Esta unidade está protegida contra interferências rádio. Este produto cumpre as exigências impostas pelas presentes directivas nacionais e europeias. A conformidade deste produto foi comprovada e as declarações e documentos relevantes foram efectuados pelo fabricante.

- Esta unidade destina-se a produzir efeitos luminosos decorativos e é utilizada em sistemas de espectáculos de luz.
- O melhor de 2 mundos: um laser tradicional de 2 cores + laser de efeito de explosão combinados numa unidade!
- Espectáculos laser fabulosos pré programados para todo o tipo de aplicações: bar lounge, discotecas, dj móveis, ...
- Laser class 3B baseado em 40mW 532nm verde + 200mW 450nm azul.
- Vários modos de funcionamento:
 - Controlo DMX: 1 canal para operação fácil ou 10 canais para controlo total:
 - Autónomo: activado por som activado com microfone interno
 - Master/slave: Espectáculos maravilhosos sincronizados
 - Disponível como opcional o controlo remoto CA-8
- Visor LED de 3 dígitos para navegação fácil no menu
- De acordo com a norma de segurança laser EN/IEC 60825-1 2007
- Entrada para interlock para segurança extra

ANTES DE UTILIZAR

- Antes de utilizar esta unidade verifique se existem danos provocados durante o transporte. Caso existam danos, não utilize a unidade e contacte o seu revendedor.
- **Importante:** Esta unidade deixou a nossa fábrica em perfeitas condições e devidamente embalada. É imprescindível que o utilizador siga as instruções de segurança e avisos descritos neste manual. Quaisquer danos provocados por utilização incorrecta não serão cobertos pela garantia. O revendedor não será responsável por quaisquer danos ou problemas causados pelo incumprimento das instruções deste manual.
- Guarde este manual num local seguro para consulta futura. Caso venda esta unidade, forneça este manual.

Verifique o conteúdo:

Certifique-se que a caixa contém os seguintes artigos:

- Unidade RADIANT LASER
- 2 chaves (para interruptor activado por chave)
- Cabo de alimentação
- Manual do utilizador

INSTRUÇÕES DE SEGURANÇA:



ATENÇÃO: De forma a evitar o risco de choque eléctrico, não remova peças da unidade. Não tente fazer reparações. Contacte pessoal qualificado.



O símbolo composto por um triângulo equilátero com um relâmpago no interior alerta para a presença de voltagem perigosa não isolada no interior do produto que poderá constituir risco de choque eléctrico.



O símbolo composto por um triângulo equilátero com um ponto de exclamação alerta o utilizador para a presença de instruções importantes de utilização e manutenção do produto.



Este símbolo significa: utilização unicamente em espaços fechados.



Este símbolo significa: Leia instruções.



Este símbolo determina: a distância mínima dos objetos iluminados. A distância mínima entre o projetor e o objeto iluminado deve ser mais de 1 medidor.

- Proteja o ambiente. Recicle o material desta embalagem.
- Os efeitos luminosos novos podem por vezes produzir algum fumo e/ou cheiro desagradável. Esta situação é normal e temporária.
- De modo a evitar risco de fogo ou choque eléctrico, não exponha este produto a chuva ou humidade.
- De forma a evitar a formação de condensação no interior da unidade, ao transportá-la para ambiente quente aguarde algum tempo de modo a que haja uma ambientação à temperatura. A condensação poderá afectar o desempenho da unidade ou até danificá-la.
- Esta unidade destina-se unicamente a utilização em espaços fechados.
- Não introduza objectos de metal nem verta líquidos no interior do produto, correrá risco de choque eléctrico ou poderá danificar o produto. Caso algum objecto estranho entre em contacto com o interior da unidade, desligue-a de imediato da corrente.
- Coloque esta unidade num local arejado, afastado de materiais inflamáveis e/ou líquidos. Esta unidade deverá ser instalada a pelos menos 50cm de distância de paRedes circundantes.
- Não cubra os orifícios de ventilação ou a unidade poderá sobreaquecer.
- Evite locais com poeiras. Limpe a unidade regularmente.
- Mantenha esta unidade fora do alcance das crianças.
- Esta unidade deverá ser operada unicamente por pessoas experientes.
- A temperatura normal de utilização deverá ser entre 15° e 40°C. Não utilize esta unidade a temperaturas ambientes mais elevadas.
- Certifique-se de que não irão passar pessoas sob a área de instalação da unidade durante a instalação e manutenção.
- Desligue sempre a unidade da corrente quando não a utilizar durante longos períodos de tempo, antes de substituir a lâmpada ou de efectuar manutenção.
- A instalação eléctrica deve ser efectuada unicamente por pessoal qualificado, cumprindo os regulamentos de segurança em instalações eléctricas e mecânicas do seu país.
- Certifique-se que a voltagem a utilizar não é superior à voltagem indicada no painel traseiro da unidade.
- O cabo de alimentação deverá estar sempre em perfeitas condições. Desligue a unidade e substitua imediatamente o cabo caso este apresente algum dano. Deverá ser substituído pelo fabricante, pelo agente autorizado ou pessoal qualificado de modo a evitar um acidente.
- Nunca permita que este cabo entre em contacto com outros cabos!
- Esta unidade deverá estar ligada à Terra de forma a respeitar as regras de segurança.
- Não ligue a unidade a reguladores de intensidade.
- Utilize sempre um cabo de segurança aprovado ao instalar a unidade.
- De forma a não correr risco de choque eléctrico não abra a cobertura da unidade. À excepção da lâmpada e do fusível, não existem peças que possam ser substituídas pelo utilizador.
- **Nunca** repare um fusível nem tente operar a unidade sem fusível. Substitua **sempre** um fusível danificado por outro com as mesmas características!
- Em caso de problemas sérios de funcionamento, interrompa a utilização da unidade e contacte imediatamente o seu revendedor.
- A cobertura e as lentes deverão ser substituídas caso apresentem danos visíveis.
- Caso seja necessário transportar a unidade utilize a embalagem original.
- Por motivos de segurança, são proibidas quaisquer alterações não autorizadas à unidade.

Importante: Nunca olhe directamente para a luz! Não utilize este efeito luminoso na presença de pessoas epilépticas.

INSTRUÇÕES DE SEGURANÇA LASER:

- De acordo com as normas EN/IEC 60825-1 Ed2, 2007-03 este laser enquadra-se na categoria 3B. A exposição directa dos olhos pode ser perigosa.

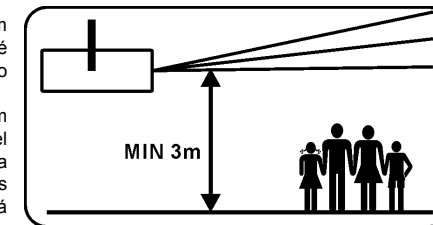


PERIGO: RADIAÇÃO LASER!
Evite exposição directa dos olhos! A radiação laser pode provocar danos nos olhos e/ou na pele. Devem ser tomadas todas as medidas preventivas para garantir o funcionamento seguro desta unidade laser.

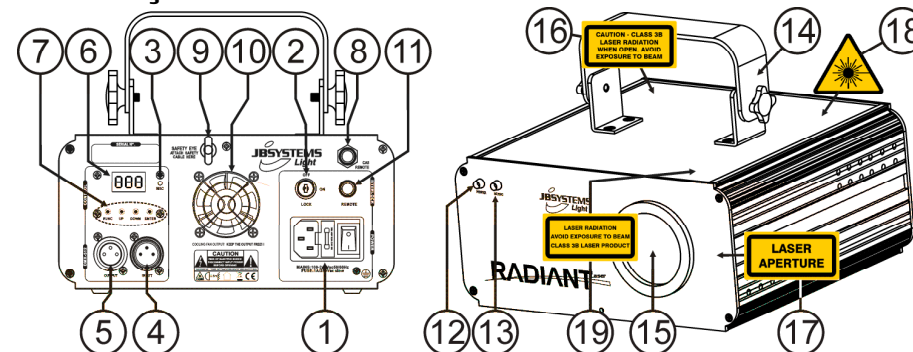


- Este tipo de produto é conhecido por showlaser, emite uma radiação do espectro luminoso compreendida entre 400 e 700nm utilizada para produzir efeitos luminosos em espectáculos de luz.
- A luz laser é diferente de outra qualquer fonte de luz com que possa estar familiarizado. A luz deste produto pode potencialmente causar danos na vista se não for colocado e usado correctamente. A luz laser é milhares de vezes mais concentrada de que a luz de outra origem de luz. Esta concentração de potência de luz pode causar danos instantâneos à vista, numa primeira fase queimando a retina (a parte de trás do olho sensível à luz) Mesmo que não sinta o "calor" de um feixe de laser, ele pode potencialmente danificar ou cegar a si ou à audiência.
- Mesmo pequenas quantidades de luz laser são potencialmente perigosas mesmo a longas distâncias.
- Nunca olhe para a abertura de um laser ou feixe de laser
- Nunca direcione o feixe para pessoas ou animais. O funcionamento desta unidade deverá ser sempre supervisionado.
- Este laser destina-se unicamente a utilização em espectáculos. A utilização de um laser classe 3B só é permitida quando supervisionada por um técnico experiente.
- Dependendo da categoria da unidade, operar um produto laser poderá produzir radiação laser passível de provocar danos permanentes nos olhos ou na pele. As normas legais para utilização de produtos laser variam de país para país. O utilizador deverá informar-se sobre as normas legais vigentes no seu país e aplicá-las.
- Os documentos parentais e a pedra angular de normas standard de segurança laser ANSI Z136.1 (2007) fornecem uma orientação para o uso seguro dos lasers e sistemas laser definindo medidas de controlo para cada uma das quatro classes laser. Este documento importante pode ser obtido em www.laserinstitute.org

Tenha em atenção que a **JB SYSTEMS** não poderá ser responsabilizada por danos resultantes de uma instalação incorrecta ou utilização imprudente!



DESCRIÇÃO:



- FONTE DE ALIMENTAÇÃO:** Conector IEC e suporte de fusível integrado. Ligue o cabo de alimentação fornecido a este conector.
- INTERRUPTOR ON/OFF ACTIVADO POR CHAVE:** Permite ligar e desligar a unidade. Use as chaves para que unicamente pessoas experientes possam ligar o laser.
- MICROFONE INTERNO:** O microfone incorporado é utilizado para sincronizar a apresentação laser ao ritmo da música.
- ENTRADA DMX:** Conector XLR macho de 3 pins utilizado para ligar cabos DMX universais. Esta entrada recebe informações de um controlador DMX.
- SAÍDA DMX:** Conector XLR fêmea de 3 pins utilizado para ligar o RADIANT LASER a outra unidade na cadeia DMX.
- DISPLAY:** Mostra o endereço DMX seleccionado quando a unidade está em modo DMX. Para além do modo DMX também pode seleccionar outros 4 modos, veja mais adiante para estes modos de operação diferentes.
- PAINEL DE CONTROLO:** Usado para controlar as diferentes funções do laser, veja mais adiante para aprender como operar com a unidade.
- ENTRADA DE CONTROLO REMOTO:** Entrada para o controlo remoto de mão CA-8, veja mais adiante para mais informação sobre este assunto
- ANEL DE SEGURANÇA:** Utilizado para prender um cabo de segurança quando a unidade é instalada em suspensão (ver parágrafo "instalação em suspensão")
- VENTOINHA DE ARREFECIMENTO:** Utilizada para arrefecer os componentes no interior da unidade. Nunca cubra a saída desta ventoinha!
- Entrada INTERLOCK:** Usada para conectar o interruptor opcional de paragem de emergência (ver foto). Quando pressionar este interruptor o raio laser irá desaparecer imediatamente.



IMPORTANTE! nós recomendamos que conecte este interruptor opcional! O LASER NÃO FUNCIONARÁ SE A ENTRADA DE INTERTRAVAMENTO NÃO É USADO. Solução temporária: Instale o conector sobressalente no laser (ver imagem)

- LED POWER:** Indica que a unidade está ligada.
- LED SOUND:** Pisca ao ritmo da música detectada pelo microfone interno.
- SUPORTE DE SUSPENSÃO:** Contém 2 parafusos de aperto em ambos os lados para fixar a unidade e um orifício para aplicação de um gancho de montagem.
- SAÍDA DO LASER:** O laser é projectado através desta abertura. NUNCA olhe para o interior da unidade através desta abertura quando o laser estiver ligado!
- RÓTULO DE AVISO:** "Atenção – Laser classe 3B. Exposição a radiação laser caso abra a unidade. Evite exposição ao feixe."
- RÓTULO DE AVISO:** "Laser Aperture" (Orifício de saída laser)
- SÍMBOLO DE AVISO LASER:** Alerta para existência de um laser potencialmente perigoso quando não utilizado por técnicos qualificados.
- RÓTULO DE AVISO:** "Radiação laser. Evite exposição ao feixe. Produto laser classe 3B"



INSTALAÇÃO EM SUSPENSÃO

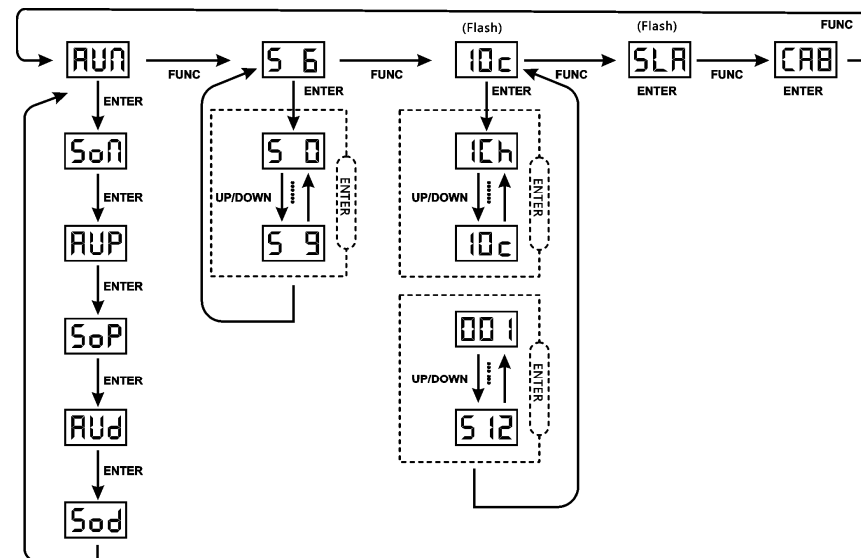
- Importante:** A instalação deve ser efectuada unicamente por pessoal qualificado. Uma instalação incorrecta pode resultar em ferimentos graves e/ou danos na sua propriedade. Para efectuar uma instalação em suspensão é necessária muita experiência! Respeite os limites de carga, utilize materiais de instalação aprovados e inspeccione a unidade instalada regularmente de forma a assegurar a segurança.
- Certifique-se que sob a área de instalação da unidade não irão passar pessoas durante a instalação e manutenção.
- Coloque esta unidade num local arejado, afastada de materiais inflamáveis e/ou líquidos. Esta unidade deverá ser instalada a **pelos menos 50cm** de distância de paredes circundantes.
- A unidade deve ser instalada fora do alcance das pessoas; afastada de áreas onde as pessoas possam passar ou sentar-se.
- Antes de proceder à instalação certifique-se que a área seleccionada pode suportar uma carga mínima de 10 vezes o peso da unidade.

- Na instalação, utilize sempre um cabo de segurança aprovado com capacidade para suportar 12 vezes o peso da unidade. Esta medida de segurança secundária deverá ser instalada de forma a que nenhuma parte da instalação possa cair mais de 20 cm caso o ponto de apoio principal ceda.
- A unidade deverá ser fixa firmemente. Uma instalação oscilante pode ser perigosa e não deverá ser efectuada!
- Não cubra os orifícios de ventilação ou a unidade poderá sobreaquecer.
- O utilizador da unidade deverá certificar-se que a instalação é aprovada em termos de segurança e em termos técnicos por uma pessoa qualificada antes de efectuar a primeira utilização. A instalação deverá ser inspeccionada todos os anos por um técnico qualificado de forma a certificar-se que a segurança está assegurada.



ATENÇÃO PERIGO PARA OS OLHOS: Posicione sempre o laser de forma a que o público presente não possa olhar directamente para os feixes laser. A instalação deverá assegurar que o feixe não atinge as pessoas.

FUNCIONAMENTO DA UNIDADE



SENSIBILIDADE DE ENTRADA:

A unidade funciona ao ritmo da batida, quando utilizado em modo autónomo ou master / slave

Para definir a sensibilidade de entrada de música, siga estes passos:

- Pressione o botão FUNC até que o visor mostre "S 0" ... "S 9"
- Pressione o botão ENTER para confirmar a sua escolha.
- Utilize os botões UP e DOWN para seleccionar um valor entre "S 0" (sensibilidade muito baixa) e "S 9" (de alta sensibilidade).
- Após seleccionar o modo, pressione ENTER para confirmar.

A unidade pode ser operada de 5 formas:

1) MODO CONTROLO MÚSICA:

O laser executa uma sequência pré programada ao ritmo da música. Selecciona este modo quando apenas 1 laser é usado (autónomo) ou quando o laser é colocado como unidade principal (master) numa série com vários lasers Radiant .

- Pressione o botão FUNC até que o visor mostre SoN, AUd, Sod, AUP ou SoP
- Agora use os botões UP e DOWN para seleccionar:

- o Son (Espectáculos aleatórios activados por som, contendo padrões e efeitos de gradeamento)
 - o Sod (Efeito Pontos a mover activado por som)
 - o SoP (Efeito Linhas a Mover activado por som)
 - Pressione o botão ENTER para confirmar a sua escolha.
- Pode conectar vários lasers Radiant juntos: simplesmente coloque a primeira unidade da série em um dos modos de efeitos activados por som e todas as outras unidades em "Slave Mode" (o mostrador indica "SLA") para fazê-las funcionar em perfeita sincronia
- Nota:** Quando não é detectada música, a saída laser será desligada (blackout).

2) MODO AUTOMÁTICO TOTAL:

- O laser automaticamente executa uma sequência pré programada. Seleccione este modo quando apenas 1 laser é usado (autônomo) ou quando o laser é colocado como unidade principal (master) numa série com vários lasers Radiant.
- Pressione o botão FUNC até que o visor mostre SoN, AUN, Sod, AUd, SoP ou AUP
 - Agora use os botões UP e DOWN para seleccionar:
 - o AUn (Espectáculo aleatório automático, contendo padrões e efeitos de gradeamento)
 - o AUd (Espectáculo automático contendo efeitos de gradeamento)
 - o AUP (Espectáculo automático contendo padrões)
 - Pressione o botão ENTER para confirmar a sua escolha.
- O laser automaticamente executa uma sequência pré programada.
- Pode conectar vários lasers Radiant juntos: simplesmente coloque a primeira unidade da série em um dos modos de efeitos automáticos e todas as outras unidades em "Slave Mode" (o mostrador indica "SLA") para fazê-las funcionar em perfeita sincronia

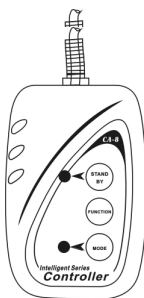
3) MODO SLAVE:

- O laser segue as instruções dadas pelo primeiro laser Radiant (master) na série.
- Conecte a entrada DMX do laser à saída DMX do laser anterior na série.
 - Pressione o botão FUNC até que o visor mostre "SLA"
 - Pressione o botão ENTER para confirmar a sua escolha.
- Pode conectar vários lasers Radiant juntos: **simplesmente coloque a primeira unidade da série em "Modo Música" e todas as outras unidades em "Slave Mode" (o mostrador indica "SLA") para fazê-las funcionar em perfeita sincronia**



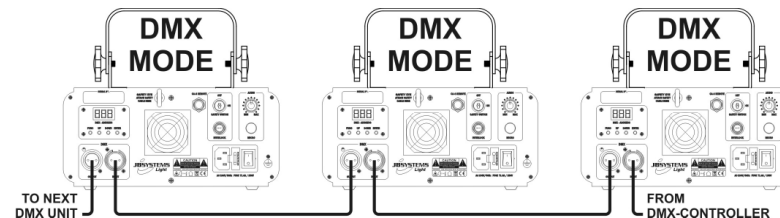
4) MODO CONTROLADOR SIMPLES

- Um controlador opcional CA-8 pode ser conectado para que possa controlar o laser de uma distância. Quando vários lasers Radiant são conectados deve conectar o controlador CA-8 à primeira unidade da série. Todas as unidades irão seguir as instruções dadas pelo remoto CA-8.
- Conecte o controlador CA-8 à entrada de controlador remoto (8) na traseira.
 - Pressione o botão FUNC até que o visor mostre "CA8"
 - Pressione o botão ENTER para confirmar a sua escolha.
- Estas são as funções disponíveis no controlador CA-8:
- **Botão STANDBY:** Usado para colocar o laser em "blackout" (sem saída). O LED standby está aceso durante o "blackout"
 - **Botão FUNCTION:** Usado para seleccionar a cor (original → verde → azul → verde + azul → original)
 - **Botão MODE:** Usado para alternar entre diferentes modos:
 - o **MODO LED LIGADO:** Laser está em modo controlado pela música
 - o **MODO LED DESLIGADO:** Laser está em modo automático



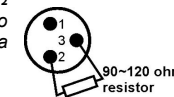
5) MODO DE FUNCIONAMENTO DMX:

- O laser pode ser controlado de 2 modos DMX diferentes por qualquer controlador standard DMX:
- **MODO 1 CANAL:** para uma configuração e utilização extremamente fácil! (visor indica "1Ch")
 - **MODO 10 CANAIS:** para controlo total de todas as possibilidades. (visor indica "10Ch")
- Conecte a entrada DMX do laser à saída DMX da unidade anterior na série ou directamente à saída DMX do seu controlador.
 - Pressione o botão FUNC até que o visor mostre "1Ch" ou "10Ch".
 - Pressione os botões UP/DOWN para escolher o modo DMX desejado (1Ch ou 10 Ch)
 - Pressione o botão ENTER para confirmar a sua escolha.
 - Pressione o botão FUNC: o número de 3 dígitos no visor começa a piscar.
 - Seleccione o endereço DMX desejado
 - Pressione o botão ENTER para confirmar a sua escolha.
- Nota:** O visor pisca quando a unidade está em modo DMX e nenhum sinal DMX é detectado.



Mais alguma informação sobre DMX512:

O protocolo DMX é sinal de alta velocidade mundialmente usado para controlar equipamento de iluminação profissional. Tem que conectar em série o seu controlador DMX e todos os efeitos de luz com um cabo balanceado de boa qualidade XLR M/F. Para evitar comportamentos estranhos dos efeitos de luz, devido a interferências, deverá usar um finalizador de 90Ω a 120 Ω no final da série. Nunca utilize cabos divididos em Y, isto simplesmente não funciona! Cada efeito na série precisa de ter o seu próprio endereço inicial para que saiba quais os comandos do controlador que tem de descodificar.



CONFIGURAÇÃO 1 CANAL DMX DO LASER:

CANAL	VALOR	DESCRIÇÃO
CH 1 MODOS	000-024	Laser desligado (Black out)
	025-059	Modo AUd (Espectáculo auto de efeitos de grade)
	060-099	Modo AUP (Espectáculo auto de efeitos de padrões)
	100-139	Modo AUn (Espect. auto de efeitos de padrões + grade)
	140-179	Modo Sod (Espectác. de efeitos de grade activados por som)
	180-219	Modo SoP (Espectác. de efeitos de padrões activ. por som)
	220-255	Modo Son (Espectáculos de efeitos de padrões / grade activados por som)

CONFIGURAÇÃO 10 CANAIS DMX DO LASER:

NOTA IMPORTANTE: O canal DMX 1 é usado para definir os diferentes modos de trabalho do laser.

- Para usar o laser em modo de 10 canais, o canal 1 deverá ser definido para o valor 175 ou mais alto.
- Dependendo dos valores DMX do canal 1, 3 quadros diferentes podem ser aplicados:
 - Valor entre 175 e 199: ver quadro "Quadro DMX 10CH 10-A"
 - Valor entre 200 e 224: ver quadro "Quadro DMX 10CH 10-B"
 - Valor entre 225 e 255: ver quadro "Quadro DMX 10CH 10-C"

CANAL	VALOR	DESCRIÇÃO
CH 1 MODOS	000-024	Laser desligado (Black out)
	025-049	Modo AUn (Espect. auto de efeitos de padrões + grade)
	050-074	Modo Son (Espect. de efeitos de padrões / grade activ. som)
	075-099	Modo AUP (Espect. auto de efeitos de padrões)
	100-124	Modo SoP (Espect. de efeitos de padrões activado som)
	125-149	Modo Aud (Espect. auto de efeitos de grade)
	150-174	Modo Sod (Espect. de efeitos de grade activado por som)
	175-199	Modo DMX com efeitos pontos de grade → ver Quadro DMX 10CH 10-A
	200-224	Modo DMX com efeitos padrões de grade → ver Quadro DMX 10CH 10-B
	225-255	Modo DMX com efeitos tradicionais de padrões → ver Quadro DMX 10CH 10-C

Quadro DMX 10CH 10-A (CANAL DMX 1 em valores definidos entre 175 e 199)

CANAL	VALOR	DESCRIÇÃO
CH 2 MOVIMENTO EIXO X	000-127	128 posições fixas diferentes no eixo dos X
	128-191	Movimento no sentido dos ponteiros do relógio
	192-255	Movimento no sentido inverso dos ponteiros do relógio
CH 3 MOVIMENTO EIXO Y	000-127	128 posições fixas diferentes no eixo dos Y
	128-191	Movimento no sentido dos ponteiros do relógio
	192-255	Movimento no sentido inverso dos ponteiros do relógio
CH 4 CORES	000-009	Laser desligado
	010-063	Azul + verde ligado ou azul e verde em strobe
	064-127	Azul ligado ou strobe azul e verde desligado
	128-191	Verde ligado ou strobe verde e azul desligado
	192-255	Azul + verde ligado ou strobe azul e verde alternos
	000-009	Sem strobe
CH 5 STROBE	010-249	Strobe (velocidade baixa a alta)
	250-255	Strobe ao ritmo da música
	000-075	Rotação para a direita (velocidade baixa a alta)
CH 6 ROTAÇÃO GRADE	076-150	Sem rotação
	151-255	Rotação para a esquerda (velocidade baixa a alta)
CH7 → CH10		NÃO USADO

Quadro DMX 10CH 10-A (CANAL DMX 1 em valores definidos entre 200 e 224)

CANAL	VALOR	DESCRIÇÃO
CH 2	000-255	11 padrões de grade diferentes
CH 3 ZOOMING	000-127	Tamanho do padrão: de grande (100%) para pequeno (5%)
	128-169	Zoom in (de grande a pequeno + de lento a rápido)
	170-209	Zoom out (de pequeno a grande + de lento a rápido)
	210-255	Zoom in & out (de lento a rápido)
CH 4 ROTAÇÃO EIXO Y	000-127	Posições fixas sobre o eixo Y entre 0° a 359°
	128-191	Rotação para a direita sobre o eixo Y
	192-255	Rotação para a esquerda sobre o eixo Y
CH 5 ROTAÇÃO EIXO X	000-127	Posições fixas sobre o eixo X entre 0° a 359°
	128-191	Rotação para a direita sobre o eixo X
	192-255	Rotação para a esquerda sobre o eixo X
CH 6 ROTAÇÃO EIXO Z	000-127	Posições fixas sobre o eixo Z entre 0° a 359°
	128-191	Rotação para a direita sobre o eixo Z
	192-255	Rotação para a esquerda sobre o eixo Z
CH 7 MOVIMENTO EIXO X	000-127	128 posições fixas diferentes no eixo dos X
	128-191	Movimento no sentido dos ponteiros do relógio
	192-255	Movimento no sentido inverso dos ponteiros do relógio
CH 8 MOVIMENTO EIXO Y	000-127	128 posições fixas diferentes no eixo dos Y
	128-191	Movimento no sentido dos ponteiros do relógio
	192-255	Movimento no sentido inverso dos ponteiros do relógio
CH 9 CORES	000-016	AZUL
	017-031	VERDE
	032-049	AZUL & VERDE
	050-255	Cores a mudar
CH 10 ROTAÇÃO GRADE	000	Sem rotação de grade
	001-075	Rotação da grade para a direita
	076-150	Sem rotação da grade
	151-255	Rotação da grade para a esquerda

Quadro DMX 10CH 10-A (CANAL DMX 1 em valores definidos entre 200 e 224)

CANAL	VALOR	DESCRIÇÃO
CH 2	000-255	11 padrões standard diferentes
CH 3 ZOOMING	000-127	Tamanho do padrão: de grande (100%) para pequeno (5%)
	128-169	Zoom in (de grande a pequeno + de lento a rápido)
	170-209	Zoom out (de pequeno a grande + de lento a rápido)
	210-255	Zoom in & out (de lento a rápido)
CH 4 ROTAÇÃO EIXO Y	000-127	Posições fixas sobre o eixo Y entre 0° a 359°
	128-191	Rotação para a direita sobre o eixo Y
	192-255	Rotação para a esquerda sobre o eixo Y
CH 5 ROTAÇÃO EIXO X	000-127	Posições fixas sobre o eixo X entre 0° a 359°
	128-191	Rotação para a direita sobre o eixo X
	192-255	Rotação para a esquerda sobre o eixo X
CH 6 ROTAÇÃO EIXO Z	000-127	Posições fixas sobre o eixo Z entre 0° a 359°
	128-191	Rotação para a direita sobre o eixo Z
	192-255	Rotação para a esquerda sobre o eixo Z
CH 7 MOVIMENTO EIXO X	000-127	128 posições fixas diferentes no eixo dos X
	128-191	Movimento no sentido dos ponteiros do relógio
	192-255	Movimento no sentido inverso dos ponteiros do relógio
CH 8 MOVIMENTO EIXO Y	000-127	128 posições fixas diferentes no eixo dos Y
	128-191	Movimento no sentido dos ponteiros do relógio
	192-255	Movimento no sentido inverso dos ponteiros do relógio
CH 9 CORES	000-016	Cores originais
	017-031	AZUL
	032-047	VERDE
	048-062	AZUL & VERDE
	063-160	Mudando entre azul e verde fde lento a rápido)
	161-255	Mudando misturando as 3 cores (de lento a rápido)
CH 10		Não usado

MANUTENÇÃO

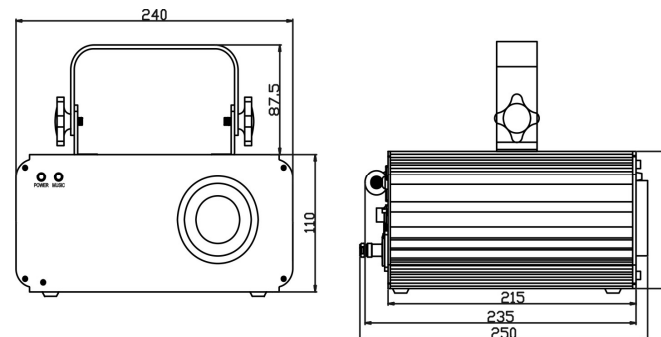
- Certifique-se que sob a área de instalação da unidade não irão passar pessoas durante a manutenção.
- Desligue o cabo de alimentação da corrente e aguarde que a unidade arrefeça.
- Durante a inspeção deverá verificar os seguintes pontos:**
- Todos os parafusos utilizados nas peças da unidade e na instalação deverão estar apertados firmemente e não poderão estar corroídos.
- A cobertura da unidade, os pontos de fixação e as áreas de instalação (tecto, armação, etc.) não deverão apresentar qualquer deformação.
- Caso uma lente apresente danos visíveis como fendas ou riscos profundos, deverá ser substituída imediatamente.
- O cabo de alimentação deverá estar em perfeitas condições e deverá ser substituído assim que for detectado o mais pequeno dano.
- As ventoinhas de arrefecimento e os orifícios de ventilação deverão ser limpos todos os meses.
- Utilize um aspirador ou um compressor de ar para limpar o interior da unidade uma vez por ano.
- De forma a otimizar a projecção de luz, limpe as lentes ópticas internas e externas e/ou espelhos periodicamente. A regularidade das limpezas depende do ambiente em que está instalada a unidade: um ambiente húmido, com fumo ou poeiras dará origem a uma maior acumulação de impurezas nas ópticas da unidade.
 - Utilize um pano macio e um limpa-vidros normal na limpeza da unidade.

- Seque sempre as peças cuidadosamente.
- Limpe as ópticas externas pelo menos uma vez em cada 30 dias.
- Limpe as ópticas internas pelo menos uma vez em cada 90 dias.

Atenção: Recomendamos vivamente que a limpeza do interior da unidade seja efectuada por pessoal qualificado!

ESPECIFICAÇÕES

Fonte de Alimentação: AC 100~240V, 50/60Hz
Fusível: 250V 1A fusão lenta (20mm vidro)
Consumo de potência total: 30W
Controlo de som: Microfone interno
Ligações DMX: 3pin XLR macho / fêmea
Canais DMX: 1 ou 10 canais
Endereço DMX inicial: 001 → 512
Potência Laser: Laser CW Verde 40mW (λ = 532nm)
 Laser CW Azul 200mW (λ = 450nm)
 3B
Categoria Laser: <5mm
Diâmetro abertura do feixe: <2 mrad
Divergência (cada feixe) <160°
Divergência (saída total) <160°
Temperatura de funcionamento: 15°C a 40°C
Normas de segurança Laser: EN/IEC 60825-1 Ed2, 2007-03
Dimensões: veja o desenho
Peso: 2,6kg



Estas informações estão sujeitas a alterações sem aviso prévio
 Pode fazer download da versão mais recente deste manual no nosso site: www.beglec.com