

Super Winner

HID 150W



Operation Manual EN
Mode d'emploi FR
Gebruiksaanwijzing NL
Bedienungsanleitung DU
Manual de instrucciones ES
Manual do utilizador PT

WWW.BEGLEC.COM

Copyright © 2006 by BEGLEC cva.

Reproduction or publication of the content in any manner, without express permission of the publisher, is prohibited.



Version: 1.0





EN - DISPOSAL OF THE DEVICE

Dispose of the unit and used batteries in an environment friendly manner according to your country regulations.

FR - DÉCLASSER L'APPAREIL

Débarrassez-vous de l'appareil et des piles usagées de manière écologique Conformément aux dispositions légales de votre pays.

NL - VERWIJDEREN VAN HET APPARAAT

Verwijder het toestel en de gebruikte batterijen op een milieuvriendelijke manier conform de in uw land geldende voorschriften.

DU - ENTSORGUNG DES GERÄTS

Entsorgen Sie das Gerät und die Batterien auf umweltfreundliche Art und Weise gemäß den Vorschriften Ihres Landes.

ES - DESHACERSE DEL APARATO

Reciclar el aparato y pilas usadas de forma ecologica conforme a las disposiciones legales de su pais.

PT - COMO DESFAZER-SE DA UNIDADE

Tente reciclar a unidade e as pilhas usadas respeitando o ambiente e em conformidade com as normas vigentes no seu país.

OPERATION MANUAL

Thank you for buying this JB Systems product. To take full advantage of all possibilities and for your own safety, please read these operating instructions very carefully before you start using this unit.

FEATURES

This unit is radio-interference suppressed. This product meets the requirements of the current European and national guidelines. Conformity has been established and the relevant statements and documents have been deposited by the manufacturer.

- This device has been designed to produce decorative effect lighting and is used in light show systems.
- Durable scanner with unlimited possibilities
- Uses a special HID-150 discharge lamp for exceptional light output!
- Different working modes:
 - DMX control: 5 DMX-channels (pan, tilt, gobo, color, shutter/strobe)
 - Standalone mode (internal microphone)
 - Master/Slave mode (internal microphone)
- Optional CA-8 remote controller available for additional functionality
- 15 gobos + shutter
- 11 dichroic colors + white on a separate color wheel
- Fan cooled
- Built-in overheat protection
- Strobe effect
- Built-in programs

BEFORE USE

- Before you start using this unit, please check if there's no transportation damage. Should there be any, do not use the device and consult your dealer first.
- **Important:** This device left our factory in perfect condition and well packaged. It is absolutely necessary for the user to strictly follow the safety instructions and warnings in this user manual. Any damage caused by mishandling is not subject to warranty. The dealer will not accept responsibility for any resulting defects or problems caused by disregarding this user manual.
- Keep this booklet in a safe place for future consultation. If you sell the fixture, be sure to add this user manual.

Check the contents:

Check that the carton contains the following items:

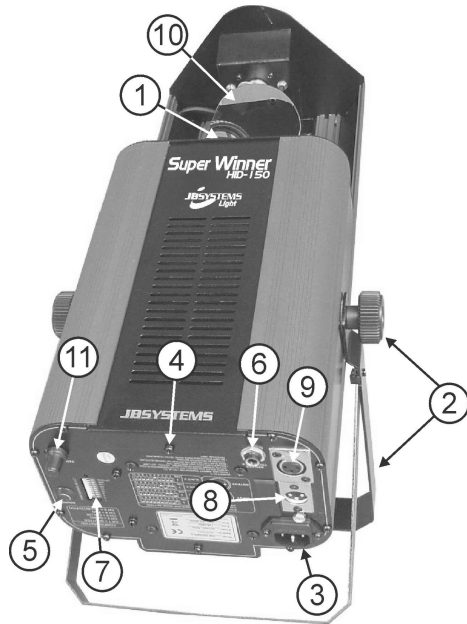
- SUPER WINNER HID scanner
- Hanging bracket with 2 knobs
- Operating instructions

SAFETY INSTRUCTIONS:

- To protect the environment, please try to recycle the packing material as much as possible.
- A new light effect sometimes causes some unwanted smoke and/or smell. This is normal and disappears after some minutes.
- To prevent fire or shock hazard, do not expose this appliance to rain or moisture.
- To avoid condensation to be formed inside, allow the unit to adapt to the surrounding temperatures when bringing it into a warm room after transport. Condense sometimes prevents the unit from working at full performance or may even cause damages.
- This unit is for indoor use only.
- Don't place metal objects or spill liquid inside the unit. Electric shock or malfunction may result. If a foreign object enters the unit, immediately disconnect the mains power.
- Locate the fixture in a well ventilated spot, away from any flammable materials and/or liquids. The fixture must be fixed at least 50cm from surrounding walls.
- Don't cover any ventilation openings as this may result in overheating.
- Prevent use in dusty environments and clean the unit regularly.
- Keep the unit away from children.
- Inexperienced persons should not operate this device.
- Maximum save ambient temperature is 45°C. Don't use this unit at higher ambient temperatures.
- The units' surface temperature may reach up to 85°C. Don't touch the housing with bare hands during its operation.
- Make sure the area below the installation place is free from unwanted persons during rigging, de-rigging and servicing.
- Allow the device about 10 minutes to cool down before replacing the bulb or start servicing.
- Always unplug the unit when it is not used for a longer time or before replacing the bulb or start servicing.
- The electrical installation should be carried out by qualified personal only, according to the regulations for electrical and mechanical safety in your country.
- Check that the available voltage is not higher than the one stated on the rear panel of the unit.
- The power cord should always be in perfect condition: switch the unit immediately off when the power cord is squashed or damaged.
- Never let the power-cord come into contact with other cables!
- This fixture must be earthed to in order comply with safety regulations.
- Don't connect the unit to any dimmer pack.
- Always use an appropriate and certified safety cable when installing the unit.
- In order to prevent electric shock, do not open the cover. Apart from the lamp and mains fuse there are no user serviceable parts inside.
- **Never** repair a fuse or bypass the fuse holder. **Always** replace a damaged fuse with a fuse of the same type and electrical specifications!
- In the event of serious operating problems, stop using the fixture and contact your dealer immediately.
- The housing and the lenses must be replaced if they are visibly damaged.
- Please use the original packing when the device is to be transported.
- Due to safety reasons it is prohibited to make unauthorized modifications to the unit.

Important: Never look directly into the light source! Don't use the effect in the presence of persons suffering from epilepsy.

DESCRIPTION:

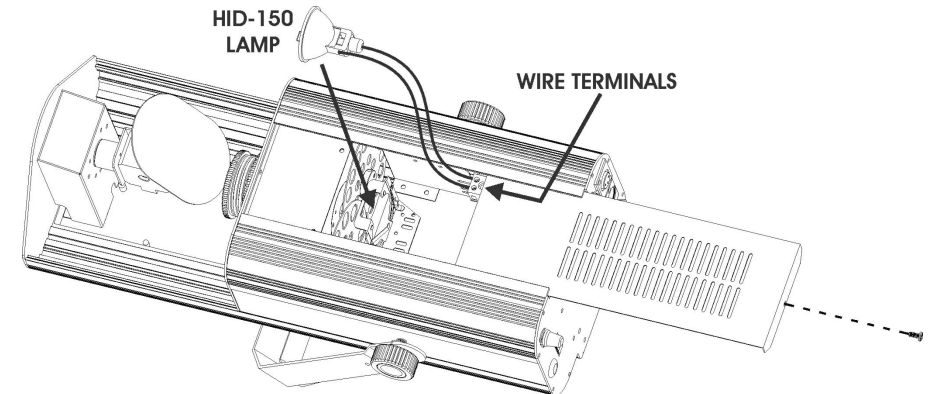


1. Optical lens with manual focus adjustment
2. Hanging bracket with 2 knobs on both sides to fasten the unit and a mounting hole to fix a mounting hook.
3. Mains input with IEC socket and integrated fuse holder, connect the supplied mains cable here.
4. Lamp compartment, to be opened with this screw.
5. Internal microphone
6. 1/4" jack used to connect the optional CA-8 controller.
7. DIP switches, used to set the DMX-starting address of the unit.
8. DMX input: 3pin male XLR-connector used to connect universal DMX-cables. This input receives instructions from a DMX-controller or from another Winner light effect when used in master/slave mode.
9. DMX output: 3pin female XLR-connector used to connect the Winner with the next unit in the DMX chain or with another Winner when used in master/slave mode.
10. Scanning mirror
11. Button used to control the music sensitivity

LAMP (RE)PLACEMENT



In case of replacement of the lamp or maintenance, do not open the fixture within 10 minutes until the unit cools down after switching off. Always unplug the unit before servicing! Always use the same type of spare parts (bulbs, fuses, etc.) When replacing parts, please only genuine spare parts.



- Switch off the unit and unplug the mains cable.
- Wait for about 10 minutes until the unit has been cooled down.
- Use a screwdriver to unscrew the screw that closes lamp compartment of the fixture.
- On the inside you will see the lamp. Tear the lamp gently out of the lamp holder.
- Unscrew the 2 wires from the wire terminal
- Install the 2 wires from the new lamp in the wire terminal and make sure to fasten the terminals well.
- Press the new lamp gently in the lamp holder.
- **Attention!** Check the label on the backside of the device or see the technical specifications in this manual to know which lamp should be used. Never install lamps with a higher wattage! Lamps with higher wattage generate temperatures the device was not designed for. If the device uses a lamp transformer, it will burn due to current overload.
- Don't touch the bulb inside the reflector of the lamp with bare hands! This drastically shortens the lifespan of the lamp. If you touched the lamp, clean it with a cloth and a little denatured alcohol. Wipe the lamp off before installing.
- Be sure that the wires don't touch the lamp.
- Close the lamp compartment with the screw.
- Done!

OVERHEAD RIGGING

- **Important:** The installation must be carried out by qualified service personal only. Improper installation can result in serious injuries and/or damage to property. Overhead rigging requires extensive experience! Working load limits should be respected, certified installation materials should be used, the installed device should be inspected regularly for safety.

- Make sure the area below the installation place is free from unwanted persons during rigging, de-rigging and servicing.
- Locate the fixture in a well ventilated spot, far away from any flammable materials and/or liquids. The fixture must be fixed **at least 50cm** from surrounding walls.
- The device should be installed out of reach of people and outside areas where persons may walk by or be seated.
- Before rigging make sure that the installation area can hold a minimum point load of 10times the device's weight.
- Always use a certified safety cable that can hold 12times the weight of the device when installing the unit. This secondary safety attachment should be installed in a way that no part of the installation can drop more than 20cm if the main attachment fails.
- The device should be well fixed; a free-swinging mounting is dangerous and may not be considered!
- Don't cover any ventilation openings as this may result in overheating.
- The operator has to make sure that the safety-relating and machine-technical installations are approved by an expert before using them for the first time. The installations should be inspected every year by a skilled person to be sure that safety is still optimal.

CONTROLLING THE SUPER WINNER

1. Standalone 1unit:

Just connect the unit to the mains and put on some music. The unit will start working automatically to the rhythm of the music.

2. Two or more units in master/slave setup:

Connect 2 or more units together using good quality XLR microphone cables (like for example JB Systems code 7-0063). The unit that has no cable connected to its input will react as master; the others are the slave units.

You don't have to worry about the settings of the DMX DIP-switches! It is only possible to inverse the behavior of a slave unit by changing the position of DIP-switch n°10. Just try it and see if the effect becomes better. Changing DIP-switch n°10 on the master has no effect.

3. Connect the optional CA-8 controller for more control:

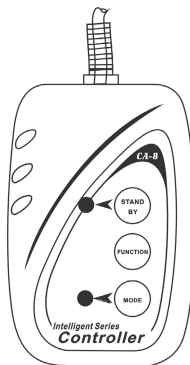
The CA-8 controller can only be used in standalone or master/slave mode. Connect the controller to the jack input of the first unit (master). Now you can control all the connected units:

• STANDBY BUTTON:

Press this button to start/stop blackout mode on all connected units. The led is ON when the blackout function is active. After about 30sec. blackout, the lamp will be switched off automatically to extend its lifetime.

• MODE: (fast/slow)

When the led is off, the Winner is in FAST mode. The beam movements and gobo/color wheel are both sound activated. Press the button to switch the led on; now the Winner is in SLOW mode. The beam movements are sound activated but



the gobo/color wheel is static and can be controlled with the FUNCTION-button.

• FUNCTION BUTTON: (strobe/next)

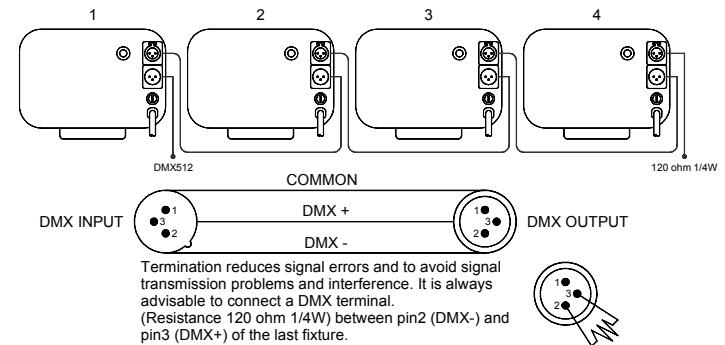
Push the FUNCTION button while the Winner is in FAST mode (MODE led is off) the units will strobe in 3 different ways:

- Strobe with different gobos/colors
- Synchronous strobe in white color
- Two-light strobe in white color

Every time you push the FUNCTION-button while the Winner is in SLOW mode (MODE led is on) the colors/gobos of the connected units change.

4. Controlled by universal DMX-controller:

The DMX-protocol is a widely used high speed signal to control intelligent light equipment. You need to "daisy chain" your DMX controller and all the connected light effects with a good quality XLR M/F balanced cable (ex. JB Systems ref. 7-0063). To prevent strange behavior of the light effects, due to interferences, you must use a 90Ω to 120Ω terminator at the end of the chain. Never use Y-splitter cables, this simply won't work!



Each light effect in the chain needs to have its proper starting address so it knows which commands from the controller it has to decode.

• How to set the DIP-switches to obtain the right starting address:

On the back of the Winner you will see that each of the first 9 DIP-switches corresponds to certain value:

Dip	#1	#2	#3	#4	#5	#6	#7	#8	#9
Value	1	2	4	8	16	32	64	128	256

You can combine the values of these switches to become any starting address between 1 and 512:

- Begin address = 01 → switch 1=ON values: 1
- Begin address = 05 → switch 1+3=ON values: 1+4 = 5
- Begin address = 09 → switch 1+4=ON values: 1+8 = 9
- Begin address = 13 → switch 1+3+4=ON values: 1+4+8 = 13
- Begin address = 62 → switch 2+3+4+5+6=ON values: 2+4+8+16+32 = 62

DMX-CONFIGURATION OF WINNER :

DMX512 CONFIGURATION																																			
CHANNEL 1	CHANNEL 2	CHANNEL 3	CHANNEL 4		CHANNEL 5																														
SHUTTER	GOBO	COLOR	PAN		TILT																														
			FLAT	BARREL	FLAT	BARREL																													
255 ████████ ████████ ██████ ████ Gobo ████████ ████████ ██████ ████	255 Fast ⤵ ⤴	255 Fast ⤵ ⤴					Stopped																												
174 ████████ ████████ ██████ ████	Slow ⤵ ⤴	Slow ⤵ ⤴					Stopped																												
128 120 112 104 96 88 80 72 64 56 48 40 32 24 16 8 0	Gobo 14 Gobo 13 Gobo 12 Gobo 11 Gobo 10 Gobo 9 Gobo 8 Gobo 7 Gobo 6 Gobo 5 Gobo 4 Gobo 3 Gobo 2 Gobo 1 Open Blackout	128 121 110 99 88 77 66 55 44 33 22 11 0					Stopped																												
		Magenta Yellow Blue Light Green Pink Purple Red Amber Light blue Orange Green White					Stopped																												
<table border="0"> <tr> <td>1</td><td>2</td><td>3</td><td>4</td><td>5</td><td>6</td><td>7</td><td>8</td><td>9</td><td>10</td><td>11</td><td>12</td><td>13</td><td>14</td> </tr> <tr> <td></td><td></td><td></td><td></td><td></td><td></td><td></td><td></td><td></td><td></td><td></td><td></td><td></td><td></td> </tr> </table>								1	2	3	4	5	6	7	8	9	10	11	12	13	14														
1	2	3	4	5	6	7	8	9	10	11	12	13	14																						

MAINTENANCE

- Make sure the area below the installation place is free from unwanted persons during servicing.
- Switch off the unit, unplug the mains cable and wait until the unit has been cooled down.
- During inspection the following points should be checked:**
- All screws used for installing the device and any of its parts should be tightly fastened and may not be corroded.
- Housings, fixations and installations spots (ceiling, truss, suspensions) should be totally free from any deformation.
- When an optical lens is visibly damaged due to cracks or deep scratches, it must be replaced.
- The mains cables must be in impeccable condition and should be replaced immediately when even a small problem is detected.
- In order to protect the device from overheat the cooling fans (if any) and ventilation openings should be cleaned monthly.
- The interior of the device should be cleaned annually using a vacuum cleaner or air-jet.
- The cleaning of internal and external optical lenses and/or mirrors must be carried out periodically to optimize light output. Cleaning frequency depends on the environment in which the fixture operates: damp, smoky or particularly dirty surroundings can cause greater accumulation of dirt on the unit's optics.
 - Clean with a soft cloth using normal glass cleaning products.
 - Always dry the parts carefully.
 - Clean the external optics at least once every 30 days.

- Clean the internal optics at least every 90 days.

Attention: We strongly recommend internal cleaning to be carried out by qualified personnel!

SPECIFICATIONS

Mains Input:	AC 230V, 50Hz
Fuse:	250V 5A slow blow (20mm glass)
Sound Control:	Internal microphone
DMX connections:	3pin XLR male / female
Lamp:	HID-150W
Size:	50 x 20 x 15.5cm
Weight:	11kg

Every information is subject to change without prior notice

MODE D'EMPLOI

Merci d'avoir choisi ce produit JB Systems. Pour votre sécurité et pour une utilisation optimale de toutes les possibilités de l'appareil, lisez attentivement cette notice avant utilisation.

CARACTERISTIQUES

Cet appareil ne produit pas d'interférences radio. Il répond aux exigences nationales et européennes. La conformité a été établie et les déclarations et documents correspondants ont été déposés par le fabricant.

- Cet appareil a été conçu pour la production d'effets lumière décoratifs et est utilisé dans des spectacles lumineux.
- Scanner professionnel pour de multiples applications
- Très grande clarté de lumière grâce à la lampe de décharge 150W HID
- Différentes mode d'opération :
 - Contrôlable par 5 canaux DMX (pan, tilt, couleurs, gobos, strobo/shutter)
 - Fonctionnement autonome (micro interne)
 - Fonctionnement en Maître/Esclave (micro interne)
- Contrôleur CA-8 disponible en option pour un meilleur contrôle de l'appareil
- Roue de 15 gobos + shutter
- Roue de couleurs séparée, 11 couleurs dichroïques + blanc
- Ventilation et protection thermique
- Effet strobe, programmes intégrés
- La lampe de décharge HID-150 n'est pas incluse

AVANT UTILISATION

- Avant d'utiliser cet appareil, assurez-vous de l'absence de dommage lié au transport. En cas d'endommagement, n'utilisez pas l'appareil et contactez le vendeur.
- **Important:** Cet appareil a quitté notre usine en parfaite condition et bien emballé. Il est primordial que l'utilisateur suive les instructions de sécurité et avertissements inclus dans ce manuel. La garantie ne s'applique pas en cas de dommage lié à une utilisation incorrecte. Le vendeur ne prend pas la responsabilité des défauts ou de tout problème résultant du fait de n'avoir pas tenu compte des mises en garde de ce manuel.
- Conservez ce manuel dans un endroit sûr pour toute consultation future. Si vous vendez l'appareil, assurez-vous d'y joindre ce manuel également.

Vérifiez le contenu:

Vérifiez si l'emballage contient les articles suivants:

- SUPER WINNER HID scanner
- Câble d'alimentation
- Mode d'emploi

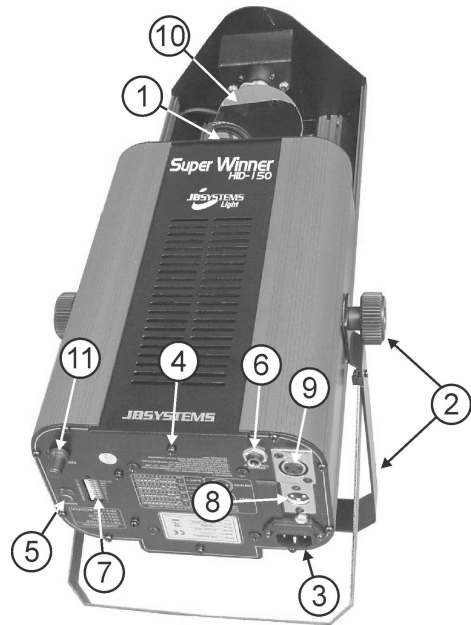
INSTRUCTIONS DE SECURITE:

- Afin de protéger l'environnement, merci de recycler les emballages autant que possible.
- Un nouvel effet lumière peut provoquer de la fumée et/ou une odeur non souhaitée, disparaissant après quelques minutes.
- Afin d'éviter tout risque d'incendie ou de choc électrique, ne pas exposer cet appareil à la pluie ou l'humidité.
- Pour éviter la formation de condensation à l'intérieur de l'appareil, patientez quelques minutes pour laisser l'appareil s'adapter à la température ambiante lorsqu'il arrive dans une pièce chauffée après le transport. La condensation empêche l'unité de fonctionner en performance optimale et peut même causer des dommages.
- Cette unité est destinée à une utilisation à l'intérieur uniquement.
- Ne pas insérer d'objet métallique ou verser un liquide dans l'appareil. Risque de choc électrique ou de dysfonctionnement. Si un corps étranger est introduit dans l'unité, déconnectez immédiatement de la source d'alimentation.
- Placez l'appareil dans un endroit bien ventilé, éloigné de tout matériau ou liquide inflammable. L'appareil doit être fixé à 50cm minimum des murs.
- Ne pas couvrir les ouvertures de ventilation, un risque de surchauffe en résulterait.
- Ne pas utiliser dans un environnement poussiéreux et nettoyez l'unité régulièrement.
- Ne pas laisser l'unité à portée des enfants.
- Les personnes non expérimentées ne doivent pas utiliser cet appareil.
- La température ambiante maximum d'utilisation de l'appareil est de 45°C. Ne pas l'utiliser au-delà de cette température.
- La température des parois de l'unité peut atteindre 85°C. Ne pas toucher la coque à mains nues en cours de fonctionnement.
- Assurez-vous que la zone au-dessous du lieu d'installation ne comporte pas de personnes indésirables pendant le montage, le démontage et les opérations de maintenance.
- Laissez l'appareil refroidir environ 10 minutes avant de remplacer l'ampoule ou d'effectuer des réparations.
- Débranchez toujours l'appareil si vous ne l'utilisez pas de manière prolongée avant de changer une ampoule ou d'entreprendre des réparations.
- Les installations électriques ne peuvent être faites que par du personnel qualifié et conformément aux régulations de sécurité électrique et mécanique en vigueur dans votre pays.
- Assurez-vous que le voltage de la source d'alimentation de la zone dans laquelle vous trouvez ne dépasse pas celui indiqué à l'arrière de l'appareil.
- Le cordon d'alimentation doit toujours être en condition parfaite. Mettez immédiatement l'unité hors tension si le cordon est écrasé ou endommagé.
- Ne laissez jamais le cordon d'alimentation entrer en contact avec d'autres câbles !
- L'appareil doit être à la masse selon les règles de sécurités.
- Ne pas connecter l'unité à un variateur de lumière.
- Utilisez toujours les câbles appropriés et certifiés lorsque vous installez l'unité.
- Pour éviter tout choc électrique, ne pas ouvrir l'appareil. En dehors des ampoules et du fusible principal, il n'y a pas de pièces pouvant être changées par l'utilisateur à l'intérieur.
- **Ne jamais** réparer ou court-circuiter un fusible. Remplacez **systématiquement** un fusible endommagé par un fusible de même type et spécifications électriques !
- En cas de problèmes de fonctionnement sérieux, arrêtez toute utilisation de l'appareil et contactez votre revendeur immédiatement.

- La coque et les lentilles doivent être remplacées si visiblement endommagées.
- Utilisez l'emballage d'origine si l'appareil doit être transporté.
- Pour des raisons de sécurité, il est interdit d'apporter toute modification à l'unité non spécifiquement autorisée par les parties responsables.

Important: Ne jamais fixer directement la source de lumière ! Ne pas utiliser d'effets en présence de personnes souffrant d'épilepsie.

DESCRIPTION:

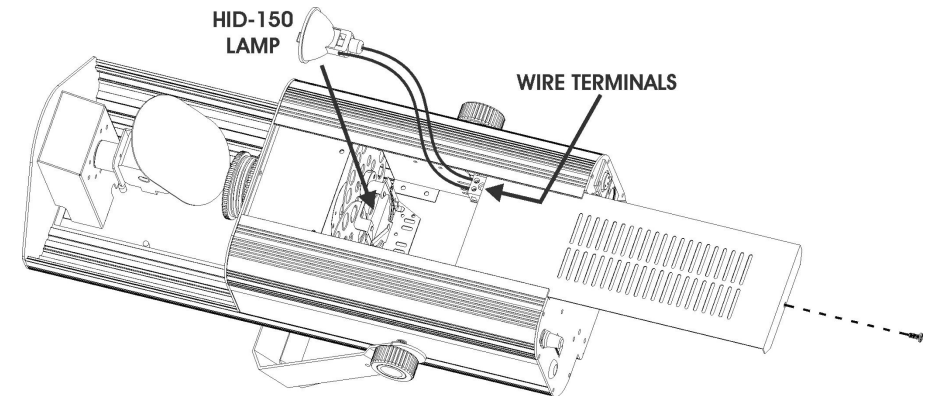


1. Lentille avec focus manuel
2. Support de fixation, pourvu de 2 leviers de serrage (un de chaque côté de l'appareil) et d'un trou pouvant recevoir un crochet de fixation.
3. Entrée d'alimentation par connecteur IEC avec porte fusible intégré. Branchez le câble d'alimentation ici.
4. Compartiment de la lampe, peut être ouvert en dévissant cette vis
5. Micro intégré
6. Connecteur jack 1/4" stéréo pour relier le contrôleur CA-8 optionnel avec l'appareil.
7. Interrupteurs DIP: permet d'attribuer l'adresse de démarrage DMX de l'unité.
8. Entrée DMX: Connecteur XLR 3pin mâle permet de connecter des câbles XLR universels. Cette entrée reçoit des instructions provenant d'un contrôleur DMX ou d'un autre Winner en mode master/slave.
9. Sortie DMX: Connecteur XLR 3pin mâle permet de connecter le Winner à l'unité suivante de la chaîne DMX ou à un autre Winner en mode master/slave.
10. Miroir scan
11. Reglage de la sensibilité musicale.

REPLACEMENT DES AMPOULES



En cas d'opération de maintenance ou de remplacement des ampoules, ne pas ouvrir l'installation dans les 10 minutes suivant la fin de l'utilisation jusqu'à ce que l'appareil ait refroidi. Débranchez systématiquement l'unité avant toute opération de maintenance. Utilisez toujours le même type de pièces (ampoules, fusibles, etc.) Lors du remplacement, n'utilisez que des pièces véritables.



- Mettez l'unité hors tension et débranchez le câble d'alimentation.
- Attendez environ 10 minutes jusqu'à ce que l'unité ait refroidi.
- Utilisez un tournevis pour dévisser le compartiment des ampoules de l'appareil.
- A l'intérieur vous pouvez voir la lampe HID. Sortez-la délicatement du compartiment à ampoules.
- Dévissez les 2 vis du raccord (« wire terminal » dans le dessin) et retirez les 2 câbles de la lampe usagée.
- Installez les 2 câbles de la nouvelle lampe HID et mettez en place la nouvelle ampoule.
Attention! Reportez-vous à l'étiquette à l'arrière de l'appareil ou aux spécifications techniques de ce manuel pour savoir quelle ampoule utiliser. Ne jamais installer d'ampoules à puissance plus élevée! De telles ampoules produisent des températures supérieures à celles pour lesquelles l'appareil a été conçu. Si l'appareil utilise un transformateur, il brûlera en raison de la surcharge induite.
- Ne pas toucher l'ampoule, se trouvant à l'intérieur du réflecteur, à mains nues! Cela réduirait énormément le cycle de vie de la lampe. Si vous l'avez touchée, nettoyez-la avec un linge et un peu d'alcool modifié. Essuyez l'ampoule avant de l'installer.
- Assurez-vous que les fils ne touchent pas l'ampoule.
- Refermez le compartiment à ampoules à l'aide de la vis.
- Voilà!

INSTALLATION EN HAUTEUR

- **Important:** L'installation doit être faite par du personnel qualifié uniquement. Une installation incorrecte peut causer des blessures sévères et/ou endommager l'appareil. L'installation en hauteur exige de l'expérience ! Les limites de charge doivent être respectées, du matériel d'installation certifié doit être utilisé, et l'appareil installé doit subir des inspections de sécurité régulièrement.
- Assurez-vous que la zone au-dessous du lieu d'installation ne comporte pas de personnes indésirables lors de l'installation, la désinstallation ou la maintenance.
- Placez l'appareil dans un endroit bien ventilé, éloigné de tout matériau ou liquide inflammable. L'appareil doit être fixé à **50cm minimum** des murs à l'entour.
- L'appareil doit être hors de portée du public et en dehors des zones de passage de personnes ou des zones où le public est installé.
- Avant l'installation assurez-vous que la zone d'installation supporte un point localisé minimum de 10 fois le poids de l'appareil.
- Utilisez systématiquement un câble de sécurité qui peut supporter 12 fois le poids de l'appareil lors de l'installation. Ce câble de sécurité secondaire doit être installé de manière à ce qu'aucune partie de l'appareil ne puisse descendre de plus de 20 cm si le support principal tombe.
- L'appareil doit être bien fixé, un montage à balancement est dangereux et ne devrait pas être considéré !
- Ne pas couvrir les ouvertures de ventilation pour éviter tout risque de surchauffe.
- L'utilisateur doit s'assurer que les installations techniques et de sécurité sont bien approuvées par un expert avant la première utilisation. Les installations doivent être inspectées chaque année par du personnel qualifié pour assurer une sécurité optimale.

CONTROLLER LE SUPER WINNER

1. Autonome 1unité:

Connectez simplement l'alimentation de l'unité et mettez de la musique. L'unité se met à travailler directement au rythme de la musique.

2. Configurer 2 unités ou plus en mode master/slave:

Connecter ensemble 2 unités ou plus en utilisant des câbles micro XLR balancés de bonne qualité (ex. JB Systems code 7-0063). L'unité n'ayant pas de câble connectée en entrée réagit en maître; les autres unités sont esclaves.

Vous n'avez pas à vous inquiéter à propos des interrupteurs DIP! Il est seulement possible d'inverser le comportement d'une unité esclave en changeant la position de l'interrupteur n°10. Essayez simplement et voyez si l'effet s'améliore. Changer le DIP n°10 sur l'unité master n'a pas d'effet.

3. Connectez le contrôleur optionnel CA-8 pour plus de possibilités:

Le contrôleur CA-8 peut être utilisé en mode standalone ou master/slave. Connectez le contrôleur à l'entrée jack de la première unité (master). A présent vous pouvez contrôler toutes les unités connectées:

• BOUTON STANDBY:

Poussez-le afin d'allumer/éteindre le mode blackout sur toutes les unités connectées. Le led s'allume quand la fonction blackout est active. Après 30sec de blackout, la lampe s'éteint automatiquement.

• MODE: (fast/slow)

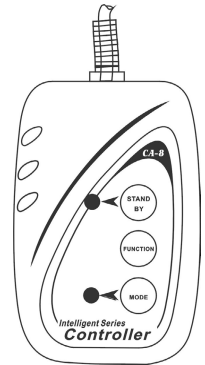
Quand le led est éteint, le Winner est en mode FAST. Les mouvements de lumière et la roue gobo/couleur sont activés par la musique. Pousser le bouton pour allumer le led et mettre le Winner en mode SLOW. Les mouvements sont activés par la musique mais la roue gobo/couleur est statique et peut être contrôlée à l'aide du bouton FUNCTION.

• BOUTON FUNCTION: (strobe/next)

Pousser ce bouton lorsque le Winner est en mode FAST (Led MODE éteint) afin de mettre l'unité en mode strobo selon 3 manières:

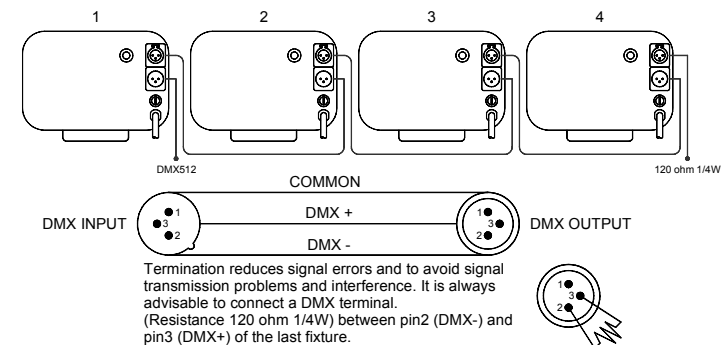
- Strobe avec différents gobos/couleurs
- Strobe synchronisé de couleur blanche
- Strobe 2-lumières de couleur blanche

Chaque fois que vous poussez sur FUNCTION alors que le Winner est en mode SLOW (Led MODE allumé), les couleurs/gobos des unités connectées changent.



4. Contrôlé par contrôleur DMX universel:

Le très répandu protocole DMX est un signal très rapide permettant de contrôler des équipements de lumière. Il est impératif de connecter votre contrôleur DMX et les différents éléments de la chaîne avec des câbles XLR balancés de bonne qualité (ex. JB Systems ref. 7-0063). Afin d'éviter que vos effets de lumière se comportent de manière étrange, à cause d'interférences, utilisez des bouchons de 90Ω à 120Ω en fin de chaîne. N'utilisez jamais de câbles de dérivation, ceci ne fonctionne pas!



Chaque effet dans la chaîne nécessite sa propre adresse de démarrage afin de savoir quelles commandes du contrôleur il doit décoder.

• **Configurer les interrupteurs DIP pour obtenir l'adresse de démarrage correcte:**

A l'arrière du Winner, vous verrez que chacun des 9 DIP correspond à une valeur:

Dip	#1	#2	#3	#4	#5	#6	#7	#8	#9
Valeur	1	2	4	8	16	32	64	128	256

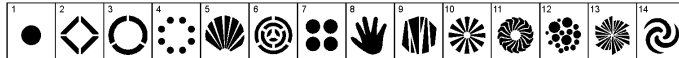
Combinez ces valeurs pour obtenir des adresses de démarrage comprises entre 1 et 512:

Adresse = 01	→ DIP 1=ON	valeurs: 1
Adresse = 05	→ DIP 1+3=ON	valeurs: 1+4 = 5
Adresse = 09	→ DIP 1+4=ON	valeurs: 1+8 = 9
Adresse = 13	→ DIP 1+3+4=ON	valeurs: 1+4+8 = 13
Adresse = 62	→ DIP 2+3+4+5+6=ON	valeurs: 2+4+8+16+32 = 62

• **CONFIGURATION DMX DU WINNER:**

DMX512 CONFIGURATION													
CHANNEL 1		CHANNEL 2		CHANNEL 3		CHANNEL 4				CHANNEL 5			
SHUTTER		GOBO		COLOR		PAN		TILT		FLAT		BARREL	
255	⚡⚡⚡⚡	255	Fast	255	Fast					Stopped			Stopped
174	⚡⚡⚡⚡		Slow		Slow					Stopped			Stopped
92	⚡⚡⚡⚡	128	Gobo 14	128	Magenta					Stopped			Stopped
	⚡⚡⚡⚡	120	Gobo 13	121	Yellow					Stopped			Stopped
	⚡⚡⚡⚡	112	Gobo 12	110	Blue					Stopped			Stopped
	⚡⚡⚡⚡	104	Gobo 11	99	Light Green					Stopped			Stopped
	⚡⚡⚡⚡	96	Gobo 10	88	Pink					Stopped			Stopped
	⚡⚡⚡⚡	88	Gobo 9	77	Purple					Stopped			Stopped
	⚡⚡⚡⚡	80	Gobo 8	66	Red					Stopped			Stopped
	⚡⚡⚡⚡	72	Gobo 7	55	Amber					Stopped			Stopped
	⚡⚡⚡⚡	64	Gobo 6	44	Light blue					Stopped			Stopped
	⚡⚡⚡⚡	56	Gobo 5	33	Orange					Stopped			Stopped
	⚡⚡⚡⚡	48	Gobo 4	22	Green					Stopped			Stopped
	⚡⚡⚡⚡	40	Gobo 3	11	White					Stopped			Stopped
	⚡⚡⚡⚡	32	Gobo 2							Stopped			Stopped
	⚡⚡⚡⚡	24	Gobo 1							Stopped			Stopped
	⚡⚡⚡⚡	16	Open							Stopped			Stopped
	⚡⚡⚡⚡	8	Blackout							Stopped			Stopped
0	Stopped	0	Blackout	0	White					Stopped			Stopped

GOBOS



MAINTENANCE

- Assurez-vous que la zone au-dessous du lieu d'installation ne comporte pas de personnes indésirables lors de la maintenance
- Mettez l'unité hors tension, débranchez le cordon d'alimentation et attendez que l'appareil ait refroidi.

Pendant l'inspection, les points suivants doivent être vérifiés :

- Toutes les vis utilisées pour l'installation de l'appareil ou de chacune de ses pièces doivent être bien fixées et non corrodées.
- Les niches, fixations et structures de support (plafond, poutres, suspensions) doivent être totalement intactes, sans aucune déformation.
- Lorsqu'une lentille optique est visiblement endommagée (fissure ou éraflures profondes), elle doit être remplacée.
- Les câbles doivent être en parfaite condition et doivent être remplacés immédiatement en cas de détection d'un problème, même bénin.
- Pour protéger l'appareil de toute surchauffe, les ventilateurs (si applicable) et les ouvertures de ventilation doivent être nettoyées mensuellement.
- L'intérieur de l'appareil doit être nettoyé annuellement à l'aide d'un aspirateur ou jet d'air.
- Le nettoyage des lentilles optiques internes et externes et/ou des miroirs doit être effectué périodiquement pour optimiser la production de lumière. La fréquence de nettoyage dépend de l'environnement dans lequel l'appareil fonctionne: des environnements humides, enfumés ou particulièrement sales peuvent entraîner une accumulation de saleté plus importantes sur les optiques de l'appareil.
 - Nettoyez à l'aide d'un chiffon doux avec des produits de nettoyage pour verres normaux.
 - Séchez toujours les parties soigneusement.
 - Nettoyez les optiques externes ou moins une fois tous les 30 jours.
 - Nettoyez les optiques internes ou moins une fois tous les 90 jours.

Attention: Nous vous recommandons fortement de faire exécuter le nettoyage interne par du personnel qualifié !

SPECIFICATIONS

Alimentation:	AC 230V, 50Hz
Fusible:	250V 5A lente (20mm verre)
Contrôle de son:	Microphone interne
Connexions DMX:	3 points XLR mâle / femelle
Ampoules:	HID 150W
Taille:	50 x 20 x 15.5cm
Poids:	11kg

Chacune de ces informations peut être modifiée sans avertissement préalable

GEBRUIKSAANWIJZING

Hartelijk dank voor de aankoop van dit JB Systems product. Om ten volle te kunnen profiteren van alle mogelijkheden en voor uw eigen veiligheid, gelieve de aanwijzingen zeer zorgvuldig te lezen voor U begint het apparaat te gebruiken.

KARAKTERISTIEKEN

In dit apparaat is radio-interferentie onderdrukt. Dit product voldoet aan de gangbare Europese en nationale voorschriften. Het is vastgesteld dat het apparaat er zich aan houdt en de desbetreffende verklaringen en documenten zijn door de fabrikant afgegeven.

- Het toestel is ontworpen om decoratieve lichteffecten te produceren en kan eventueel worden gebruikt in lichtshows.
- Duurzame scanner met onbeperkte mogelijkheden
- Verschillende werkingsmodi:
 - Controle via 5 DMX-kanalen (pan, tilt, kleuren, gobo's, strobe/shutter)
 - Werkt autonoom op muziek (interne micro)
 - Werkt in Master/Slave mode (interne micro)
- De optionele CA-8 controller zorgt voor extra functionaliteit
- 15 gobo's + shutter
- Apart kleurenwiel met 11 dichroïde kleuren + wit
- Beveiliging tegen oververhitting + ventilatorcooling
- Strobe-effect, ingebouwde programma's
- HID-150 ontladingslamp niet inbegrepen

EERSTE INGEBRUIKNAME

- Controleer voor het eerste gebruik van het apparaat of het tijdens het transport beschadigd werd. Mocht er schade zijn, gebruik het dan niet, maar raadpleeg eerst uw dealer.
- **Belangrijk:** Dit apparaat verliet de fabriek in uitstekende staat en goed verpakt. Het is erg belangrijk dat de gebruiker de veiligheidsaanwijzingen en raadgevingen in deze gebruiksaanwijzing uiterst nauwkeurig volgt. Elke schade veroorzaakt door verkeerd gebruik van het apparaat valt niet onder de garantie. De dealer aanvaardt geen verantwoordelijkheid voor mankementen en problemen die komen door het veronachtzamen van deze gebruiksaanwijzing.
- Bewaar deze brochure op een veilige plaats om hem in de toekomst nogmaals te kunnen raadplegen. Indien U het apparaat verkoopt, denkt U er wel aan om de gebruiksaanwijzing bij te voegen.

Controleer de inhoud:

Controleer of de doos volgende onderdelen bevat:

- SUPER WINNER HID scanner
- Ophangbeugel + 2knoppen
- Handleiding

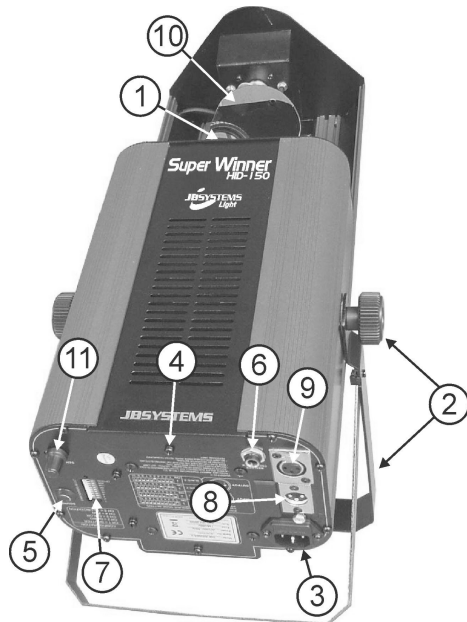
VEILIGHEIDSVOORSCHRIFTEN:

- Om het milieu te beschermen, probeer zoveel mogelijk het verpakkingsmateriaal te recycleren.
- Een nieuw lichteffect kan soms ongewenste rook en/of reuk veroorzaken. Dit is normaal en verdwijnt na een paar minuten.
- Stel dit apparaat niet bloot aan regen of vocht, dit om het risico op brand en elektrische schokken te voorkomen.
- Om de vorming van condensatie binnenin te voorkomen, laat het apparaat aan de omgevingstemperatuur wennen wanneer het, na het transport, naar een warm vertrek is overgebracht. Condensatie kan het toestel soms verhinderen perfect te functioneren. Het kan soms zelfs schade aan het apparaat toebrengen.
- Gebruik dit apparaat uitsluitend binnenshuis.
- Plaats geen stukken metaal en mors geen vocht binnen in het toestel om elektrische schokken of storing te vermijden. Indien een vreemd voorwerp in het apparaat geraakt, moet U het direct van het lichtnet afkoppelen.
- Plaats de installatie op een plaats met goede ventilatie, ver van brandbare materialen en/of vloeistoffen. De installatie moet op minstens 50 cm van de muren rondom geplaatst worden.
- Bedek geen enkele ventilatieopening om oververhitting te vermijden.
- Zorg dat het toestel niet in een stoffige omgeving wordt gebruikt en maak het regelmatig schoon.
- Houd het apparaat uit de buurt van kinderen.
- Dit apparaat mag niet door onervaren personen bediend worden.
- De maximum veilige omgevingstemperatuur is 45°C. Gebruik het apparaat dus niet bij hogere temperaturen.
- De temperatuur van het oppervlak van het apparaat kan 85°C bereiken. Raak de metalen ombouw tijdens het gebruik niet met blote handen aan.
- Verzeker er U van dat er zich onder de plaats waar het toestel wordt geïnstalleerd geen ongewenste personen bevinden tijdens het bevestigen en losmaken alsook bij het onderhoud.
- Laat het toestel ongeveer 10 minuten afkoelen alvorens de lamp te vervangen of alvorens te starten met de onderhoudsbeurt.
- Trek altijd de stekker uit wanneer het apparaat gedurende langere tijd niet wordt gebruikt of alvorens de lamp te vervangen of alvorens te beginnen met de onderhoudsbeurt.
- De elektrische installatie behoort uitsluitend uitgevoerd te worden door bevoegd personeel, volgens de in uw land geldende regels betreffende elektrische en mechanische veiligheid.
- Controleer dat de beschikbare spanning niet hoger is dan die aangegeven op de achterzijde van het toestel.
- De elektrische kabel behoort altijd in uitstekende staat te zijn. Zet het apparaat onmiddellijk af als de elektrische kabel gekneusd of beschadigd is.

- Laat de elektrische draad nooit in contact komen met andere draden.
- Volgens de veiligheidsvoorschriften moet deze installatie geaard worden.
- Sluit het apparaat niet aan op een elektronische dimmer.
- Gebruik altijd een geschikte en gekeurde veiligheidskabel bij het installeren van het toestel.
- Om elektrische schokken te voorkomen, moet U de behuizing niet openen. Afgezien van de lamp en de zekering zitten er geen onderdelen in die door de gebruiker moeten worden onderhouden.
- Repareer **nooit** een zekering en overbrug de zekeringhouder **nooit**. Vervang een beschadigde zekering **steeds** door een zekering van hetzelfde type en met dezelfde elektrische kenmerken.
- Ingeval van ernstige problemen met het bedienen van het toestel, stopt U onmiddellijk het gebruik ervan. Contacteer uw dealer voor een eventuele reparatie.
- De behuizing en de lenzen moeten vervangen worden als ze zichtbaar beschadigd zijn.
- Gebruik best de originele verpakking als het toestel vervoerd moet worden.
- Om veiligheidsredenen is het verboden om ongeautoriseerde modificaties aan het toestel aan te brengen.

Belangrijk: Kijk nooit rechtstreeks in de lichtbron. Gebruik het lichteffect niet in de tegenwoordigheid van personen die lijden aan epilepsie.

BESCHRIJVING:



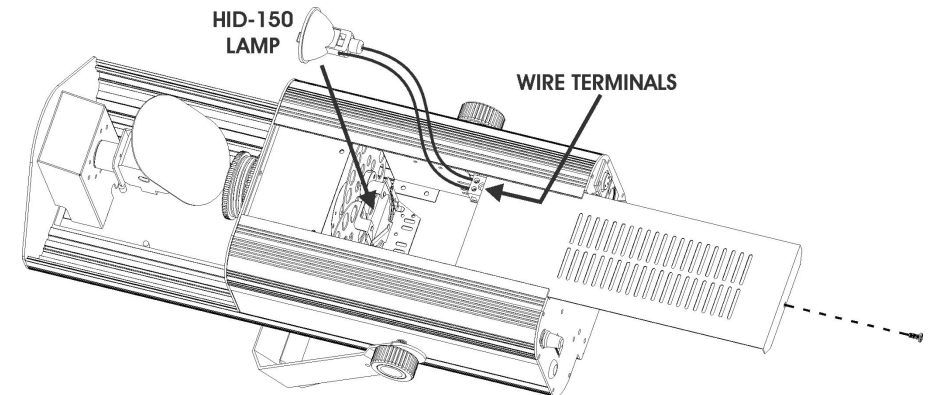
1. Optische lens voorzien van een knop voor manuele focus.
2. Ophangbeugel met 2 knoppen aan beide zijden om het toestel vast te zetten. Tevens voorzien van een gat voor een bevestigingshaak.

3. Voedingsingang via IEC stekker met geïntegreerde zekeringhouder. Sluit hier de voedingskabel aan.
4. Lampcompartiment, kan geopend worden met deze schroef
5. Ingebouwde microfoon
6. 1/4" jack voor de in optie verkrijgbare CA-8 controller
7. DIP schakelaars: hiermee zet U het DMX beginadres van het apparaat.
8. DMX ingang: deze 3pin mannelijke XLR-aansluiting wordt gebruikt voor het aansluiten van universele DMX-kabels. Deze ingang ontvangt zijn instructies van een DMX-controller of van een andere Winner scanner (in master/slave mode).
9. DMX uitgang: deze 3pin vrouwelijke XLR-aansluiting wordt gebruikt om de Winner met het volgende DMX-apparaat in de keten te verbinden. In master/slave mode sluit U hier de volgende Winner aan.
10. Scanspiegel
11. Afregelen van de microfoongevoeligheid

HET VERVANGEN VAN DE LAMP



Wacht, in het geval van het vervangen van een lamp of van het geven van een onderhoudsbeurt, 10 minuten na het uitzetten van de installatie met het openen ervan totdat het apparaat is afgekoeld. Trek altijd de stekker uit het stopcontact voor U begint aan het onderhoud. Gebruik altijd hetzelfde type reserveonderdelen (lampen, zekeringen, e.d.) Gebruik bij het vervangen van onderdelen uitsluitend authentieke reserveonderdelen.



- Zet het toestel af en trek de netstekker uit het stopcontact.
- Wacht 10 minuten tot het apparaat is afgekoeld.
- Gebruik een schroevendraaier om de schroef, die het lampcompartiment afsluit, los te maken.
- Aan de binnenzijde zult U de HID lamp in de lampenhouder zien. Trek de lamp voorzichtig uit de lampenhouder.
- Schroef de aansluitingen van de porselein lusterklem ("wire terminal" op de tekening) los en verwijder de 2 draden.

- Druk de nieuwe lamp rustig in de lampenhouder en bevestig de draden van de nieuwe lamp in de aansluitingen van de lusterklem. Verzeker U ervan dat de draden goed vastzitten!
Opgepast! Controleer het etiket achter op het toestel of kijk naar de technische karakteristieken in deze gebruikswijzing om te weten welke lamp U moet gebruiken. Gebruik nooit een lamp met een hogere wattage. Lampen met een hogere wattage produceren temperaturen waarvoor het apparaat niet ontworpen was. Als het apparaat een lampentransformator gebruikt, zal hij verbranden wegens de te grote belasting.
- Raak de lamp aan de binnenzijde van de reflector niet met blote handen aan; dit zal de levensduur van de lamp drastisch verkorten. Indien U de lamp aanraakte, maak hem dan schoon met een lapje en een beetje schoonmaakalcohol. Veeg de lamp droog alvorens hem te installeren.
- Vergewis U ervan dat geen draden de lamp raken.
- Sluit het lampcompartiment met de schroef.
- Klaar.

OPHANGEN VAN HET APPARAAT

- **Belangrijk:** De installatie van het toestel mag uitsluitend door bekwaam onderhoudspersoneel uitgevoerd worden. Onjuiste plaatsing kan ernstige letsels en/of schade aan eigendommen tot gevolg hebben. Het ophangen vergt veel ervaring. U behoort de grenzen te respecteren aan de werklust; erkende installeringmaterialen moeten worden gebruikt; de veiligheid van het geïnstalleerde toestel moet regelmatig worden gecontroleerd.
- Overtuig U ervan dat het gebied onder installatieplaats vrij is van ongewenste personen tijdens het plaatsen, het weghalen en het onderhoud.
- Installeer het toestel op een goed geventileerde plaats, ver van brandbare stoffen en/of vloeistoffen. Het toestel moet worden bevestigd **op minstens 50 cm** van de omringende muren.
- Het toestel moet worden geïnstalleerd buiten het bereik van iedereen en weg van plaatsen waar men mag lopen en zitten.
- Alvorens tot plaatsen over te gaan, moet men controleren dat de minimum puntbelasting van de installatieplaats 10 keer het gewicht van het toestel bedraagt.
- Gebruik bij het installeren van het toestel altijd een gewaarmerkte veiligheidskabel die 12 keer het gewicht van het toestel kan dragen. Deze bijkomende veiligheidsbevestiging moet zo worden aangebracht dat geen deel van het toestel meer dan 20 cm vallen kan als de hoofdbeveiliging faalt.
- Het apparaat moet goed worden vastgezet; aan een vrij zwaaiende montering mag zelfs niet gedacht worden.
- Bedek geen ventilatieopeningen, anders zou dit oververhitting tot gevolg kunnen hebben.
- De gebruiker moet er zich van verzekeren dat de installaties met betrekking tot de veiligheid en de technische mechaniek door een expert zijn goedgekeurd alvorens ze voor de eerste keer te gebruiken. Elk jaar moeten de installaties worden gekeurd door een vakman om te controleren of de veiligheid nog steeds perfect is.

DE SUPER WINNER BEDIENEN:

1. één Winner werkt zelfstandig:

U hoeft het apparaat enkel aan te schakelen. Zorg tevens voor wat ritmische muziek. De Winner werkt nu automatisch op de maat van de muziek.

2. Twee of meer Winners in master/slave:

Verbind 2 of meer Winners met elkaar door middel van degelijke, gebalanceerde microfoonkabels (zoals bvb. onze JB Systems code 7-0063). De Winner waar er geen DMX-kabel toekomt zal zich automatisch als master schakelen; de andere Winners gedragen zich als slaven (slaves) en luisteren dus naar de master.

De stand van de DIP switches heeft hier absoluut geen belang! Enkel met DIP-switch nr.10 kan U de bewegingen van een, als slave geschakelde Winner, omkeren. Probeer dit en kijk of het effect verbetert. DIP-switch nr.10 heeft geen effect op de master.

3. Sluit de optionele CA8 controller aan voor meer controle:

De CA8 controller kan U enkel gebruiken in zelfstandige of master/slave mode. Sluit de controller aan op de jack ingang van de eerste Winner (master). Nu kan U de Winners bedienen:

• STANDBY TOETS:

Druk op deze toets om de blackout functie van alle aangesloten Winners te bedienen. De LED is aan als de blackout functie actief is (blackout = geen licht). Na ongeveer 30seconden wordt de lamp automatisch uitgeschakeld om haar levensduur te verlengen.

• MODE TOETS: (snel / traag)

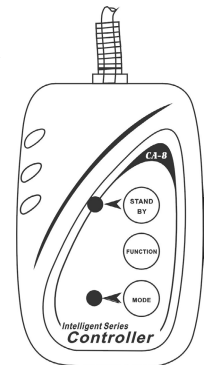
In FAST mode is de LED gedoofd. De bewegingen en het gobo/kleurenwiel werken in de maat van de muziek. Druk de toets om de LED aan te schakelen; de Winner is nu in SLOW mode. De bewegingen reageren nog steeds op de muziek maar het gobo/kleurenwiel wordt nu bediend door de FUNCTION-toets.

• FUNCTION TOETS: (strobe/next)

Er zijn 3 verschillende strobo functies ter beschikking als U de FUNCTION-toets bedient terwijl de Winner in FAST mode staat .(MODE led is uit):

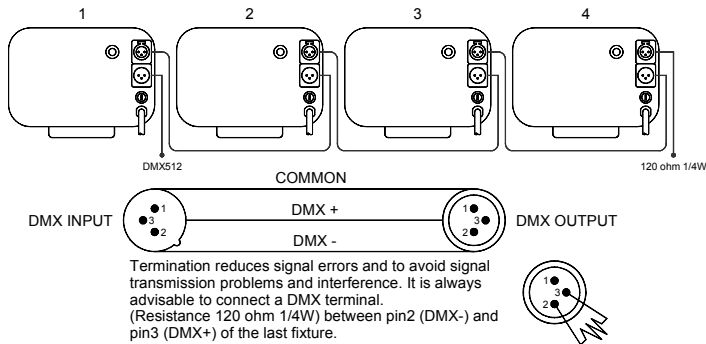
- Strobo met verschillende gobo's/kleuren
- Synchrone, witte strobo flitsen
- "Two-light" witte strobo flitsen

Als de Winner in SLOW mode staat (MODE led is aan) dan zullen de kleuren en gobo's veranderen telkens U op de FUNCTION-toets drukt.



4. Aangestuurd door een universele DMX-controller:

Het DMX-protocol is een veel gebruikt signaal om intelligente lichtapparatuur te sturen. De DMX controller en alle DMX-apparatuur moeten in één lange keten verbonden worden. Dit gebeurt met gebalanceerde microfoonkabel van goede kwaliteit, voorzien van XLR M/F aansluitingen (Bvb. JB Systems ref. 7-0063). Om onvoorspelbaar gedrag, door interferenties, te vermijden dient men de keten af te sluiten met een weerstand van 90Ω tot 120Ω . Gebruik nooit Y-splitter kabels, dit zal in geen geval werken!



Ieder apparaat in de DMX keten moet over een eigen startadres beschikken zodat het weet welke instructies voor hem bestemd zijn.

Het startadres instellen met de DIP-schakelaars:

Op de achterzijde van de Winner ziet U dat de waarde van de eerste 9 DIP-schakelaars overeen komt met een bepaalde waarde:

Dip	#1	#2	#3	#4	#5	#6	#7	#8	#9
Waarde	1	2	4	8	16	32	64	128	256

U kan deze waarden combineren om een startadres te bekomen tussen 1 en 512:

- Beginadres = 01 → switch 1=ON waarden: 1
- Beginadres = 05 → switch 1+3=ON waarden: 1+4 = 5
- Beginadres = 09 → switch 1+4=ON waarden: 1+8 = 9
- Beginadres = 13 → switch 1+3+4=ON waarden: 1+4+8 = 13
- ...
- Beginadres = 62 → switch 2+3+4+5+6=ON waarden: 2+4+8+16+32=62

DMX-CONFIGURATIE VAN DE WINNER:

DMX512 CONFIGURATION													
CHANNEL 1	CHANNEL 2	CHANNEL 3	CHANNEL 4		CHANNEL 5								
SHUTTER	GOBO	COLOR	FLAT	BARREL	FLAT	BARREL	TILT						
255 ████████	Fast ↻	Fast ↻	Flat	Barrel	Flat	Barrel	Stopped ↻						
174 ████████	Slow ↻	Slow ↻					Stopped ↻						
128 120 112 104 96 88 80 72 64 56 48 40 32 24 16 8 0	Gobo 14 Gobo 13 Gobo 12 Gobo 11 Gobo 10 Gobo 9 Gobo 8 Gobo 7 Gobo 6 Gobo 5 Gobo 4 Gobo 3 Gobo 2 Gobo 1 Open Blackout	128 121 110 99 88 77 66 55 44 33 22 11 0	Magenta Yellow Blue Light Green Pink Purple Red Amber Light blue Orange Green White				Stopped ↻						
GOBOS													
1	2	3	4	5	6	7	8	9	10	11	12	13	14
●	◊	○	⋯	☂	⊙	⦿	☐	☐	☐	☐	☐	☐	☐

ONDERHOUD

- Overtuig U ervan dat het gebied onder de installatieplaats vrij is van ongewenste personen tijdens het onderhoud.
- Zet het toestel uit, trek de netstekker uit het stopcontact en wacht tot het toestel is afgekoeld.

Bij inspectie moeten de volgende punten worden gecontroleerd.

- Alle schroeven gebruikt om het toestel te installeren en al zijn onderdelen moeten goed vastgedraaid zijn en mogen niet verroest zijn.
- Behuizingen, vastzetstukken, installeringplaatsen (plafond, spanten, schokbrekers) mogen absoluut niet verwrongen zijn.
- Wanneer een optische lens klaarblijkelijk beschadigd is door barsten of diepe krassen, dan moet deze vervangen worden.
- De stroomkabels moeten in perfecte staat zijn en behoren vervangen te worden, wanneer er zelfs maar een klein probleem ontdekt werd.
- Om het toestel tegen oververhitting te beschermen, behoren de ventilatoren (als die er zijn) en de ventilatieopeningen elke maand gereinigd te worden.
- De binnenkant van het toestel behoort elk jaar gereinigd te worden met een stofzuiger of een luchtspuit.
- Het schoonmaken van inwendige en uitwendige optische lenzen en/of spiegels moet regelmatig worden uitgevoerd om een zo goed mogelijke lichtuitstraling te verkrijgen. Hoe vaak ze schoon moeten worden gemaakt hangt af van de omgeving waar het toestel wordt gebruikt: een klamme, rokerige of bijzonder vuile omgeving kan een grotere opeenhoping van vuil veroorzaken op de optische uitrusting.

- Reinig met een zachte doek en gebruik normale glasreinigende producten.
- Droog de onderdelen altijd zorgvuldig af,
- Reinig de uitwendige optische uitrusting minstens één keer per maand.
- Reinig de inwendige optische uitrusting minstens om de 3 maanden.

Let op: We bevelen sterk aan dat het schoonmaken van de binnenkant wordt uitgevoerd door vakbekwaam personeel!!

TECHNISCHE KENMERKEN

Netvoeding:	wisselstroom 230V, 50 Hz
Zekering:	250 V/ 5A trage zekering (20 mm)
Geluidscontrole:	Inwendige microfoon
DMX verbinding:	3 pins XLR mannelijk/ vrouwelijk
Lamp:	HID 150W
Afmetingen:	50 x 20 x 15.5cm
Gewicht:	11kg

Elke inlichting kan veranderen zonder waarschuwing vooraf

BEDIENUNGSANLEITUNG

Vielen Dank, dass Sie sich für den Erwerb dieses JBSystems-Produkt entschieden haben. Bitte lesen sie diese Bedienungsanleitung sorgfältig vor der Inbetriebnahme durch, zur vollen Ausschöpfung der Möglichkeiten, die dieses Gerät bietet sowie, zu Ihrer eigenen Sicherheit.

EIGENSCHAFTEN

Das Gerät ist funktentstört und erfüllt die Anforderungen der europäischen und nationalen Bestimmungen. Entsprechende Dokumentation liegt beim Hersteller vor.

- Das Gerät ist zur Erzeugung von dekorativem Licht sowie der Benutzung in Lightshows bestimmt.
- Kompakter Scanner mit kompletter Ausstattung und hoher Performance
- Größere Lichtleistung wegen der speziellen HID 150W Entladungslampe
- Betrieb:
 - Steuerung über 5 DMX Kanäle
 - Stand-alone Betrieb
 - Master/Slave Betrieb
- CA-8 Handcontroller für Zusatzfunktionen (optional lieferbar)
- 15 Gobos + Shutter
- 11 dicroitische Farben + weiß (separates Farbrad)
- Lüfterkühlung mit Lampenüberhitzschutz

VOR DER ERSTBENUTZUNG

- Vor der Erstbenutzung bitte das Gerät zuerst auf Transportschäden überprüfen. Sollte das Gerät einen Schaden aufweisen, Gerät bitte nicht benutzen, sondern unverzüglich mit ihrem Händler in Verbindung setzen.
- **Wichtiger Hinweis:** Das Gerät hat das Werk unbeschädigt und gut verpackt verlassen. Es ist wichtig, dass der Benutzer sich streng an die Sicherheitshinweise und Warnungen in der Bedienungsanleitung hält. Schäden durch unsachgemäße Handhabung sind von der Garantie ausgeschlossen. Der Händler übernimmt keine Verantwortung für Schäden, die durch Nichtbeachtung der Bedienungsanleitung hervorgerufen wurden.
- Die Bedienungsanleitung, für zukünftiges Nachschlagen, bitte aufbewahren. Bei Verkauf oder sonstiger Weitergabe des Gerätes, bitte Bedienungsanleitung beifügen.

Packungsinhalt prüfen:

Bitte überprüfen Sie, dass die Packung folgende Einzelteile enthält:

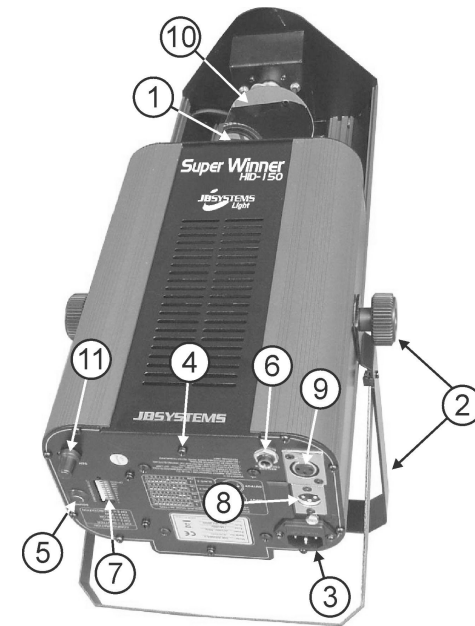
- SUPER WINNER HID Gerät
- Deckenhalterung mit 2 Drehknöpfen
- Bedienungsanleitung

SICHERHEITSHINWEISE

- Aus Umweltschutzgründen, Verpackung bitte wiederverwenden, oder richtig trennen.
- Ein neues Gerät kann Geruch oder Rauch entwickeln. Das ist völlig normal und legt sich nach einigen Minuten.
- Zur Vermeidung von Stromschlag oder Feuer, Gerät bitte nicht Regen oder Feuchtigkeit aussetzen.
- Zur Vermeidung von Kondensation im Inneren des Geräts, bitte nach Transport in eine warme Umgebung einige Zeit zum Temperatenausgleich bringen. Kondensation kann zu Leistungsverlust des Gerätes oder gar Beschädigung führen.
- Gerät nicht im Freien und in feuchten Räumen und Umgebungen verwenden.
- Keine Metallgegenstände oder Flüssigkeiten ins Innere des Geräts gelangen lassen, Kurzschluß oder Fehlfunktion können die Folge sein. Falls es doch einmal vorkommen sollte, bitte sofort Netzstecker ziehen und vom Stromkreis trennen.
- Gerät nur in gut belüfteter Position und entfernt von entflammaren Materialien oder Flüssigkeiten betreiben. Mindestabstand an allen Seiten soll mindestens 50 cm sein.
- Ventilationsöffnungen nicht abdecken, da Überhitzungsgefahr!
- Nicht in staubiger Umgebung verwenden und regelmäßig reinigen.
- Für Kinder unerreichbar aufbewahren.
- Unerfahrene Personen sollen das Gerät nicht bedienen.
- Umgebungstemperatur darf 45°C nicht überschreiten.
- Die Oberflächentemperatur kann bis zu 85°C erreichen, Gerät während des Betriebs nicht mit bloßen Händen anfassen.
- Sicherstellen, daß sich während des Auf- und Abbaus keine unbefugten Personen unterhalb des Geräts befinden.
- Vor dem Auswechseln des Leuchtmittels oder sonstigen Eingriffen, 10 Minuten Abkühlzeit einhalten.
- Stets Netzstecker ziehen, wenn Gerät für längeren Zeitraum nicht genutzt, oder es gewartet wird.
- Elektrische Anschlüsse nur durch qualifiziertes Fachpersonal überprüfen lassen.
- Sicherstellen, daß Netzspannung mit Geräteaufkleber übereinstimmt.
- Gerät nicht mit beschädigtem Netzkabel betreiben.
- Netzkabel nicht mit anderen Kabeln in Berührung kommen lassen!
- Zur Einhaltung der Sicherheitsbestimmungen muß das Gerät geerdet sein.
- Gerät nicht an einen Dimmer anschließen.
- Ausschließlich vorschriftsmäßige Kabel zur Installation verwenden.
- Gerät nicht öffnen. Abgesehen vom Tausch des Leuchtmittels und der Sicherung sind keine wartenden Bauteile im Gerät enthalten.
- Sicherung **niemals** reparieren oder überbrücken, sondern **immer** mit gleichartiger Sicherung ersetzen!
- Bei Fehlfunktion, Gerät nicht benutzen und mit Händler in Verbindung setzen.
- Bei sichtbaren Beschädigungen müssen Gehäuse und Optik ersetzt werden.
- Bei Transport bitte Originalverpackung verwenden, um Schäden am Gerät zu vermeiden.
- Aus Sicherheitsgründen dürfen an dem Gerät keine unbefugten Veränderungen vorgenommen werden.

Wichtiger Hinweis: Nicht direkt in die Lichtquelle blicken! Gerät nicht verwenden, wenn sich Personen im Raum befinden, die unter Epilepsie leiden.

BESCHREIBUNG

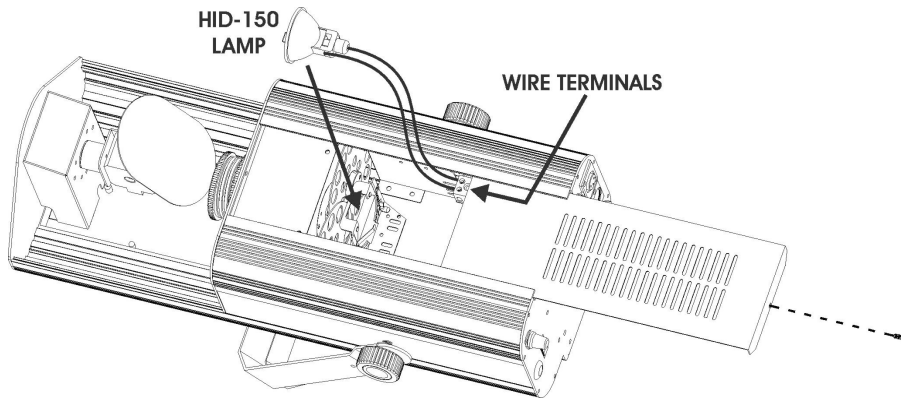


1. Objektiv mit manueller Einstellung der Fokus
2. Deckenhalterung mit 2 Drehknöpfen zum Festschrauben und zum Befestigen an einen Montagehaken.
3. Netzanschluss mit IEC Buchse mit integrierter Sicherung zum Anschluss an die Steckdose
4. Kammer für Lampe, öffnen mit Drehknopf
5. Eingebautes Mikrofon
6. ¼" Klinkenbuchse zum Anschluss des wahlweisen CA-8 Controllers
7. DIP-Switches: legt die DMX Start Adresse des Gerätes fest.
8. DMX Eingang: Der 3pin male XLR-Stecker verbindet das Gerät mit universalen DMX-Kabeln. Dieser Eingang empfängt die Signale eines DMX-Contollers oder eines anderen Winner Lichteffekts, falls die Geräte im Master/Slave Modus verwendet werden.
9. DMX Ausgang: Der 3pin female XLR-Stecker verbindet den Winner mit der nächsten Einheit der DMX-Kette oder mit einem anderen Winner Lichteffekt, falls die Geräte im Master/Slave Modus verwendet werden.
10. Ablenkspiegel
11. Musik Empfindlichkeitsregler

LICHTQUELLE: EINSETZEN/AUSTAUSCHEN



Bei Austausch oder Ersatz der Lichtquelle Gerät für mindestens 10 Minuten abkühlen lassen. Stets Netzstecker ziehen und vom Stromkreis trennen! Stets gleichartige Ersatzteile (Lichtquelle, Sicherung etc) verwenden. Original-Ersatzteile verwenden.



- Gerät abschalten und Netzstecker ziehen.
 - Etwa 10 Minuten abwarten, bis sich das Gerät abgekühlt hat.
 - Stets Schraubenzieher zum Öffnen benutzen.
 - Auf der Innenseite können Sie die alte Lampe sehen. Vorsichtig das gebrauchte Leuchtmittel aus dem Fach herausziehen.
 - Schrauben Sie die 2 Leitungen vom Kabelschuh („wire terminal“ im Bild) ab. Bringen Sie die 2 Leitungen von der neuen Lampe in den Kabelschuh an und stellen Sie sicher, die Anschluß gut zu befestigen.
- Achtung!** Geräteaufkleber auf der Rückseite des Geräts oder technische Einzelheiten in dieser Bedienungsanleitung beachten, damit stets das richtige Leuchtmittel eingesetzt wird. Keine Leuchtmittel mit höherer Wattanzahl einsetzen! Diese Leuchtmittel erzeugen höhere Temperaturen, für die dieses Gerät nicht ausgelegt ist. Hat das Gerät einen Transformator, kann dieser wegen Überlastung durchbrennen.
- Leuchtmittel innerhalb des Reflektors nicht mit bloßen Händen berühren! Das verkürzt die Lebenserwartung der Lichtquelle erheblich. Falls es doch einmal vorkommen, sollte, mit etwas Alkohol reinigen und vor dem Einsetzen gut abreiben.
 - Sicherstellen, dass die Lampe nicht von Kabeln berührt wird.
 - Fach wieder zuschrauben.
 - Fertig!

ÜBERKOPF-MONTAGE

- **Wichtig:** Montage ausschließlich durch qualifiziertes Fachpersonal durchführen lassen. Unvorschriftsmäßiger Einbau kann erhebliche Verletzungen und/oder Schäden verursachen. Überkopf-Montage verlangt entsprechende Erfahrung! Belastungsgrenzen müssen beachtet werden, geeignetes Installationsmaterial muß verwendet werden und das installierte Gerät muß in regelmäßigen Abständen überprüft werden.
- Sicherstellen, dass sich keine unbefugten Personen unterhalb des Geräts befinden, während es installiert oder gewartet wird.
- Gerät in gut belüfteter Position installieren, weit entfernt von entflammaren Materialien und/oder Flüssigkeiten. Einen Seitenabstand von **mindestens 50cm** einhalten.
- Gerät außerhalb der Reichweite von Personen, und nicht in niedrigen Durchgängen oder in der Nähe von Sitzgelegenheiten installieren.
- Vor Montage sicherstellen, dass die gewählte Position wenigstens das 10-fache Gerätegewicht aufnehmen kann.
- Zur Aufhängung stets geeignetes Befestigungsmaterial verwenden, das das 12-fache Gerätegewicht aushalten kann. Eine zweite Sicherungsaufhängung muß angebracht werden, die ein Absacken des Geräts von mehr als 20 cm verhindert, sollte die Befestigung brechen.
- Gerät gut befestigen. Eine freischwingende Aufhängung ist gefährlich und sollte auf gar keinen Fall in Betracht gezogen werden!
- Ventilationsöffnungen nicht abdecken, da Überhitzungsgefahr!
- Betreiber muß sicherstellen, dass die sicherheitsrelevanten und technischen Installationen vor Erstbetrieb fachmännisch vorgenommen worden sind.
- Installationen sollten jährlich durch qualifiziertes Fachpersonal inspiziert werden, um jederzeit einen sicheren Betrieb zu gewährleisten.

ANSTEUERUNG DES SUPER WINNERS

1. Standalone einer Einheit:

Verbinden Sie die Geräteeinheit mit der Stromversorgung und schalten Sie Musik an. Das Gerät beginnt automatisch im Rhythmus der Musik zu laufen.

2. Zwei oder mehr Einheiten im Master/Slave Zustand:

Verbinden Sie zwei oder mehr Geräteeinheiten mit symmetrischen XLR-Mikrofonkabeln (wie z.B. JB Systems code 7-0063). Das Gerät, an dem kein Kabel mit dem Input verbunden ist, wird als Master fungieren, alle anderen als Slave.

Sie brauchen sich keine Gedanken über die Positionen der DMX DIP-Schalter zu machen! Die Umkehr einer Slave-Einheit ist nur durch eine Veränderung der Position des DIP-Schalters Nr. 10 möglich. Probieren Sie es aus und schauen Sie, ob der Effekt sich verbessert. Die Veränderung der DIP-Schalters Nr. 10 beim Master hat keinen Auswirkung.

3. Schließen Sie den optionalen CA-8 Controller an, um das Gerät besser zu kontrollieren:

Der CA-8 Controller kann nur im Standalone- oder im Master/Slave Modus verwendet werden. Verbinden Sie den Controller mit dem Klinke Eingang der ersten Geräteeinheit (Master). Nun können Sie alle angeschlossenen Einheiten kontrollieren:

STANDBY KNOPF:

Drücken Sie diesen Knopf um den Blackout Modus an allen angeschlossenen Einheiten zu starten/stoppen. Die LED leuchtet, wenn die Blackout Funktion aktiv ist. Nach ca. 30 Sekunden Blackout wird die Lampe automatisch ausgeschaltet, um deren Lebensdauer zu erhöhen.

MODUS: (schnell/langsam)

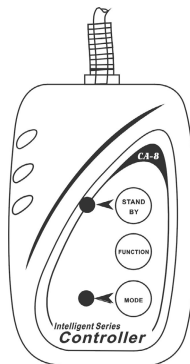
Wenn die LED aus ist, läuft der Winner im SCHNELLEN Modus. Die Beambewegungen und das Gobo/Farbrad laufen beide musikgesteuert. Drücken Sie den Knopf, um die LED anzuschalten; nun läuft der Winner im LANGSAMEN Modus. Die Beambewegungen werden von der Musik gesteuert aber das Gobo/Farb-Rad steht still und kann mit dem FUNCTION Knopf kontrolliert werden.

FUNCTION KNOPF: (strobe/next)

Drücken Sie den FUNCTION Knopf während der Winner im SCHNELLEN Modus läuft (MODE LED ist aus). Die Einheiten blitzen auf drei verschiedene Arten:

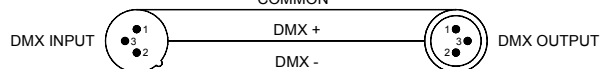
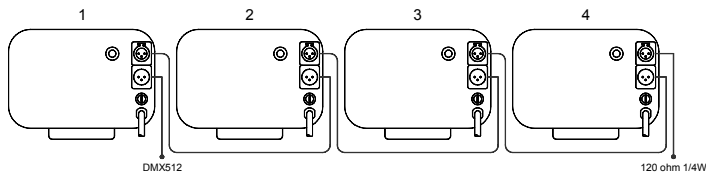
- Blitzen mit verschiedenen Gobos/Farben
- Synchrones Blitzen in weißer Farbe
- Two-light strobe in weißer Farbe

Jedes Mal wenn Sie den FUNCTION Knopf drücken, während der Winner im LANGSAMEN Modus ist (MODE LED leuchtet), verändern sich die Gobos/Farben der angeschlossenen Einheiten.



4. Kontrolle durch einen universalen DMX-Controller:

Das DMX Protokoll ist ein weitverbreitetes Hochgeschwindigkeitssignal, um intelligentes Lightequipment zu steuern. Verbinden Sie Ihren DMX Controller und alle angeschlossenen Lichteffekte mit einem synchronen XLR-Kabel M/F (z.B. JB Systems code 7-0063). Um Fehlfunktionen der Lichteffekte zu vermeiden, die auf Störungen zurückzuführen wären, benutzen Sie einen 90Ω bis 120Ω Widerstand am Ende der Kette. Benutzen Sie niemals Y-splitter Kabel, diese funktionieren nicht!



Termination reduces signal errors and to avoid signal transmission problems and interference. It is always advisable to connect a DMX terminal. (Resistance 120 ohm 1/4W) between pin2 (DMX-) and pin3 (DMX+) of the last fixture.

Jeder Lichteffekt in der Kette braucht seine passende Startadresse, damit er weiß, welche Befehle vom Controller er umsetzen muss.

Wie man die DIP-Schalter setzt, um die richtige Startadresse zu erhalten:

An der Rückseite des Winners sehen Sie, dass jeder der neun DIP-Schalter zu einem bestimmten Wert gehört:

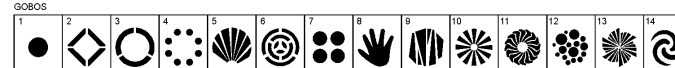
Dip	#1	#2	#3	#4	#5	#6	#7	#8	#9
Wert	1	2	4	8	16	32	64	128	256

Sie können die Werte dieser Schalter kombinieren um jede Startadresse zwischen 1 und 512 zu erhalten:

- Anfangsadresse = 01 → Schalter 1=ON Werte: 1
- Anfangsadresse = 05 → Schalter 1+3=ON Werte: 1+4 = 5
- Anfangsadresse = 09 → Schalter 1+4=ON Werte: 1+8 = 9
- Anfangsadresse = 13 → Schalter 1+3+4=ON Werte: 1+4+8 = 13
- ...
- Anfangsadresse = 62 → Schalter 2+3+4+5+6=ON Werte: 2+4+8+16+32 = 62

DMX-KONFIGURATION DES WINNERS:

DMX512 CONFIGURATION													
CHANNEL 1	CHANNEL 2	CHANNEL 3	CHANNEL 4		CHANNEL 5								
SHUTTER	GOBO	COLOR	PAN		TILT								
			FLAT	BARREL	FLAT	BARREL							
255 ⚡⚡⚡⚡	255 Fast ⤵	255 Fast ⤵	⏪	⏩	⏪	⏩	Stopped						
174 ⚡⚡⚡⚡	128 Slow ⤵	128 Slow ⤵		⏩			Stopped						
92 ⚡⚡⚡⚡	120 Gobo 14	121 Magenta					Stopped						
	112 Gobo 13	110 Yellow											
	104 Gobo 12	110 Blue											
	96 Gobo 11	99 Light Green											
	88 Gobo 10	88 Pink											
	80 Gobo 9	77 Purple											
	72 Gobo 8	66 Red											
	64 Gobo 7	55 Amber											
	56 Gobo 6	44 Light blue											
	48 Gobo 5	33 Orange											
	40 Gobo 4	22 Green											
	32 Gobo 3	11 White											
	24 Gobo 2	11 White											
	16 Gobo 1	11 White											
10 Gobo+Color	8 Open	11 White	⏪	⏩	⏪	⏩	Stopped						
0 Stopped	8 Blackout	11 White											



WARTUNG UND INSTANDHALTUNG

- Sicherstellen, dass sich keine unbefugten Personen unterhalb des Geräts befinden, während es gewartet wird.
 - Gerät ausschalten, Netzstecker ziehen und warten, bis es sich abgekühlt hat.
- Während der Wartung sind folgende Punkte ganz besonders zu beachten:**
- Sämtliche Schrauben zur Installation und Befestigung jeglicher Teile müssen fest angezogen und rostfrei sein.
 - Gehäuse, Befestigungsmaterialien und Aufhängungen (Decke, Balken, abgehängte Decken) dürfen keine Anzeichen von Verformung zeigen.
 - Ist die Optik sichtbar beschädigt (Sprünge oder tiefe Kratzer), dann müssen die entsprechenden Teile ausgewechselt werden.
 - Netzkabel muß stets in einwandfreiem Zustand sein und selbst bei kleinsten Beschädigungen erneuert werden.
 - Zur Vermeidung von Überhitzung müssen die Ventilatoren (sofern vorhanden) und Lüftungsschlitze monatlich gereinigt werden.
 - Gerät innen mindestens einmal pro Jahr mit Staubsauger oder Airjet reinigen.
 - Reinigung der inneren und äußeren optischen Linsen und/oder Spiegel müssen in regelmäßigen Abständen zur Beibehaltung einer optimalen Lichtausbeute vorgenommen werden. Reinigungsintervalle hängen stark von der Umgebung ab: feuchte, verrauchte und besonders verschmutzte Umgebung führen zu größerer Verschmutzung auf den Linsen.
 - Mit weichem Tuch und gewöhnlichem Glasreiniger säubern.
 - Alle Teile stets gut abtrocknen.
 - Äußere Optik mindestens alle 30 Tage säubern.
 - Innere Optik mindestens alle 90 Tage säubern.
- Achtung:** Wir empfehlen dringend, Reinigung im Innern des Geräts nur von qualifiziertem Personal durchführen zu lassen!

TECHNISCHE EINZELHEITEN

Netzspannung:	≈ 230V, 50Hz
Sicherung:	250V / 5A Trage Sicherung (20mm Glas)
Klangregler:	Eingebautes Mikrofon
DMX Anschlüsse:	3-pin XLR Stecker/Buchse
Lichtquelle:	HID 150W
Abmessungen:	50 x 20 x 15.5cm
Gewicht:	11kg

Technische Änderungen, können auch ohne Vorankündigung vorgenommen werden!

MANUAL DE INSTRUCCIONES

Gracias por la compra de este producto JB Systems. Para sacar todo el rendimiento de las posibilidades de este aparato y por su propia seguridad, por favor lea este manual de instrucciones con mucho cuidado antes de utilizar esta unidad.

CARACTERÍSTICAS

Esta unidad no interfiere con señales de radio. Este producto cumple las exigencias de las directrices actuales Europeas y nacionales. Se ha establecido conformidad y las declaraciones y documentos relevantes se han depositado por el fabricante.

- Este aparato ha sido diseñado para producir efecto de iluminación decorativa y se usa en sistemas de iluminación de espectáculos.
- Scanner profesional para ambas aplicaciones
- Mucha claridad gracias a la lámpara de descarga 150W HID
- Control:
 - con DMX 5 canales
 - Contról autonomo al ritmo de la música
 - Contról "Maestro/Esclavo"
- Controlador opcional CA-8 para funciones suplementarias
- 15 gobos + shutter
- Rueda de 11 colores dicroicos + blanco
- Ventilación y protección termica
- Efecto estroboscopico + programas integrados
- Puede ser interconectado en Maestro/Esclavo con

ANTES DEL USO

- Antes de utilizar esta unidad, por favor compruebe que no hay daños causados por el transporte. En caso contrario, no utilice este aparato y consulte a su vendedor.
- **Importante:** Este aparato salio de la empresa en perfecto estado y bien empaquetado. Es absolutamente necesario por parte del usuario seguir estrictamente las instrucciones de seguridad y advertencias de este manual. Cualquier daño causado por manejo inadecuado no estará sujeto a la garantía. El vendedor no aceptará responsabilidad por ningunos defectos o problemas que resulten de ignorar este manual del usuario.
- Mantenga este folleto en un lugar seguro para consultas futuras. Si vende esta instalación, asegúrese de añadir este manual de usuario.
- Para proteger el medio ambiente, por favor intente reciclar el material de empaquetado tanto como sea posible.

Compruebe el contenido:

Compruebe que la caja contiene los siguientes ítems:

- Unidad SUPER WINNER HID
- Asa para colgar con una tuerca
- Instrucciones de manejo

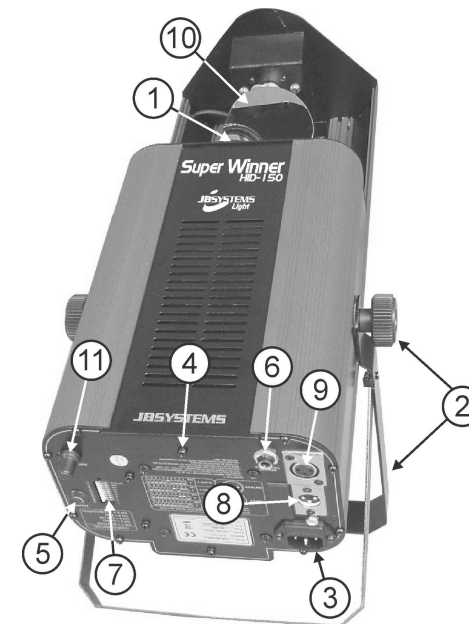
INSTRUCCIONES DE SEGURIDAD:

- Afín de evitar todo riesgo de incendio o electrocución, no exponer el aparato a la lluvia o ambiente húmedo.
- Un nuevo efecto de luz algunas veces causa algún olor y/o humo no deseados. Esto es normal y desaparece después de algunos minutos.
- Para evitar fuego o riesgos de descargas no exponga este aparato a la lluvia o humedad.
- Para evitar que se forme condensación en el interior, permita que la unidad se adapte a las temperaturas circundantes cuando la lleve a una habitación cálida después de transporte. Condensación algunas veces impide que la unidad funcione a rendimiento pleno o puede incluso causar daños.
- Esta unidad es sólo para uso interior.
- No coloque objetos metálicos o derrame líquidos dentro de la unidad. Podría resultar descarga eléctrica o mal funcionamiento. Si un objeto extraño entrara en la unidad, desconecte inmediatamente la fuente de alimentación.
- Coloque la instalación en un lugar bien ventilado, alejado de cualquier material inflamable y/o líquidos. La instalación debe ser fijada al menos a 50 cm. de distancia de los muros circundantes.
- No cubra ninguna apertura de ventilación ya que esto podría resultar en sobrecalentamiento.
- Evite su uso en ambientes polvorientos y limpie la unidad regularmente.
- Mantenga la unidad alejada de los niños.
- Personas sin experiencia no deberían manejar este aparato.
- La temperatura máxima de ambiente es 45°C. No use esta unidad a temperaturas más elevadas.
- La temperatura de la superficie de la unidad puede alcanzar los 85°C. No toque la carcasa con las manos sin proteger cuando esté funcionando.
- Asegúrese de que el área por debajo del sitio de instalación está libre de personas ajenas durante el montaje, desmontaje y reparación.
- Deje al aparato enfriarse por unos 10 minutos antes de cambiar la bombilla o empezar su reparación.
- Siempre desenchufe la unidad cuando no la use por un periodo de tiempo largo o antes de cambiar la bombilla o comenzar una reparación.
- La instalación eléctrica debería ser llevada a cabo sólo por personal cualificado, acorde a las regulaciones para seguridad eléctrica y mecánica de su país.
- Compruebe que el voltaje disponible no es superior al que aparece en el panel trasero de la unidad.
- El cable de alimentación debería estar siempre en perfectas condiciones: apague la unidad inmediatamente cuando el cable de alimentación esté roto o dañado.
- ¡Nunca deje el cable de alimentación entrar en contacto con otros cables!

- Esta instalación debe ser conectada a tierra para cumplir con las regulaciones de seguridad.
- No conecte la unidad a ningún paquete de reducción de luz.
- Siempre use un cable de seguridad apropiado y certificado cuando instale la unidad.
- Para prevenir descargas eléctricas, no abra la tapa. Aparte de la lámpara y fusibles principales no hay partes que puedan ser reparadas por el usuario en su interior.
- **Nunca** repare un fusible o haga un bypass al fusible. **¡Siempre** sustituya el fusible dañado por un fusible del mismo tipo y especificaciones eléctricas!
- En el caso de problemas serios de manejo, deje de usar la instalación y contacte con su vendedor inmediatamente.
- La carcasa y las lentes deben ser cambiadas si hay daño visible.
- Por favor, use el empaquetado original cuando el aparato deba ser transportado.
- Debido a motivos de seguridad está prohibido hacer modificaciones sin autorizar a la unidad.

Importante: ¡Nunca mire directamente a la fuente de luz! No use el efecto en presencia de personas que sufran de epilepsia.

DESCRIPTION:



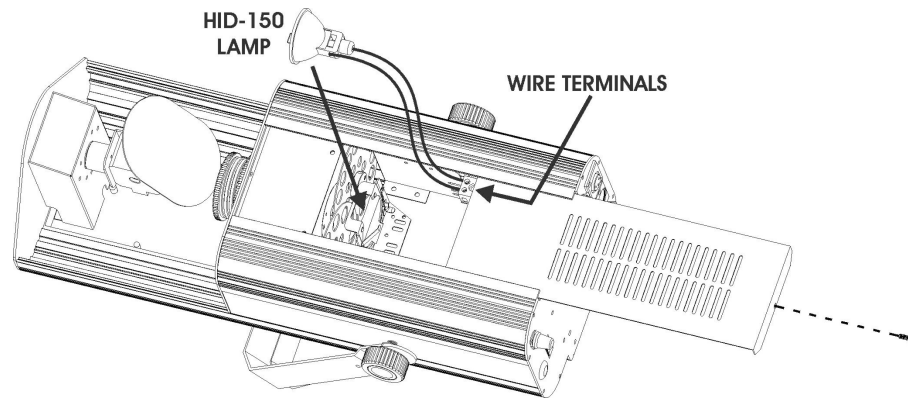
1. Lentes ópticas con ajuste de enfocado manual
2. Asa para colgar con una tuerca en ambos lados la unidad con un gancho de montaje.
3. Entrada de alimentación principal con zocalo IEC y portafusible con fusible integrado, conecte el cable de alimentación suministrado aquí.
4. Compartimiento de la lámpara, para ser abierto con ésta tuerca.

5. Micrófono interno.
6. Jack de 1/4" usado para conectar el controlador opcional CA-8.
7. Interruptores DIP: permiten dar la dirección de arranque DMX de la unidad.
8. Entrada DMX: Conector XLR 3pin macho para cables XLR universales. Esta entrada recibe instrucciones del controlador DMX o de otro Winner conectado en modo master/slave.
9. Salida DMX: Conector XLR 3pin macho permite conectar el Winner a la siguiente unidad de la cadena DMX o a otro Winner en modo master/slave.
10. Espejo de escaneo
11. Control de sensibilidad musical para el micro interno

(RE)COLOCACIÓN DE LA LÁMPARA



En caso de sustitución de la lámpara o mantenimiento, no abra la instalación en 10 minutos hasta que la unidad se haya enfriado después de apagarla. ¡Siempre desenchufe la unidad antes de repararla! Siempre use el mismo tipo de partes sueltas (bombillas, fusibles, etc.) Cuando cambie partes, por favor use sólo piezas genuinas.



- Apague la unidad y desconecte el cable principal.
- Espere unos 10 minutos hasta que la unidad se haya enfriado.
- Use un destornillador para destornillar los tornillos que fijan la lámpara al compartimiento de la instalación.
- En el interior verá la lámpara HID. Desenchufe la lámpara vieja.
- Destornillar el conector (« wire terminal » en el dibujo) y retirar los 2 cables de la lámpara usada.
- Instalar los 2 cables de la nueva lámpara HID y colocar la nueva lámpara.
- **¡Atención!** Compruebe la etiqueta de la parte trasera del aparato o vea las especificaciones técnicas en este manual para saber que lámpara debería ser usada. ¡Nunca instale lámparas de mayor potencia! Lámparas de mayor potencia generarán temperaturas para las que el aparato no fue diseñado.
- ¡No toque la bombilla dentro del reflector de la lámpara con las manos sin proteger! Esto reducirá drásticamente el periodo de vida de la lámpara. Si tocó la lámpara, límpiela con un trapo y un poco de alcohol desnaturalizado. Frote la lámpara antes de la instalación.

- Asegúrese que los cables no tocan la lámpara.
- Cierre el compartimiento de la lámpara con los tornillos.
- ¡Hecho!

APAREJADO SUPERIOR

- **Importante:** La instalación debe ser llevada a cabo sólo por personal cualificado. Una instalación impropia podría resultar en serias heridas y/o daño a la propiedad. ¡El aparejado superior requiere una larga experiencia! Los límites de las cargas de trabajo deben respetarse, materiales certificados de instalación deben ser usados, el aparato instalado debería ser inspeccionado regularmente por seguridad.
- Asegúrese de que el área por debajo del sitio de instalación está libre de personas ajenas durante el montaje, desmontaje y reparación.
- Coloque la instalación en un sitio bien ventilado, lejos de cualquier material inflamable y/o líquidos. La instalación debe ser fijada **al menos a 50cm** de los muros circundantes.
- El aparato debería ser instalado fuera del alcance de la gente y fuera de áreas donde personas puedan caminar o sentarse.
- Antes del aparejado asegúrese de que el área de instalación puede soportar un mínimo punto de carga de 10 veces el peso del aparato.
- Siempre use un cable de seguridad certificado que pueda sostener 12 veces el peso del aparato. Este añadido secundario de seguridad debería ser instalado de una forma que no hubiera parte de la instalación que pudiera caer más de 20cm si el añadido principal falla.
- El aparato debe ser bien fijado, ¡un montaje que se mueva con libertad es peligroso y no debe considerarse!
- No cubra ninguna apertura de ventilación ya que esto podría resultar en sobrecalentamiento.
- El operador tiene que asegurarse de que las instalaciones relativas a seguridad, maquinaria y técnica están aprobadas por un experto antes de usarlas la primera vez. Las instalaciones deberían ser inspeccionadas cada año por una persona con conocimientos para asegurar que la seguridad es todavía óptima.

CONTROLAR EL SUPER WINNER

1. Autonomo 1unidad:

Conectar simplemente la alimentación de la unidad y poner música. La unidad se pone automáticamente en funcionamiento al ritmo de la música.

2. Configuración de 2 unidades o mas en modo master/slave:

Conectar entre ellas 2 unidades o más con cables de micro XLR balanceados de buena cualidad (ej. JB Systems code 7-0063). La unidad que no tiene ningún cable conectado en su entrada reacciona en maestro; las otras unidades son esclavos.

¡No se preocupe de los interruptores DIP! Solamente es posible inversar el comportamiento de una unidad esclavo cambiando la posición del interruptor n°10. Ensayar y dejarlo en la posición que mejor resultado de. Cambiar el DIP n°10 sobre la unidad master no tiene ningún efecto.

3. Conectar el controlador CA-8 (en opción) para más posibilidades:

El controlador CA-8 puede ser utilizado en modo autonomo o master/slave. Conectar el controlador a la entrada jack de la primera unidad (master). Ahora, todas las unidades pueden ser controladas:

BOTON STANDBY:

Pulsarlo para entrar/salir del modo blackout sobre todas las unidades conectadas. El led se enciende cuando la función blackout esta activa. A los 30sec de blackout, la lámpara se apaga automaticamente.

MODE: (fast/slow)

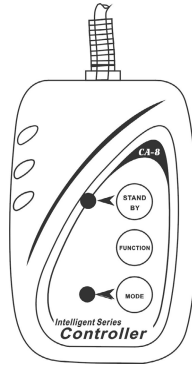
Cuando el led esta apagado, el Winner está en modo FAST. Los movimientos de luz y la rueda gobo/color son activados por la musica. Pulsar el botón para encender el led y poner el Winner en modo SLOW. Los movimientos son activados por la musica pero la rueda queda fija y puede ser controlada con el botón FUNCTION.

BOTON FUNCTION: (strobe/next)

Pulsar este boton cuando el Winner está en modo FAST (Led MODE apagado) para poner la unidad en modo estroboscopico según 3 maneras:

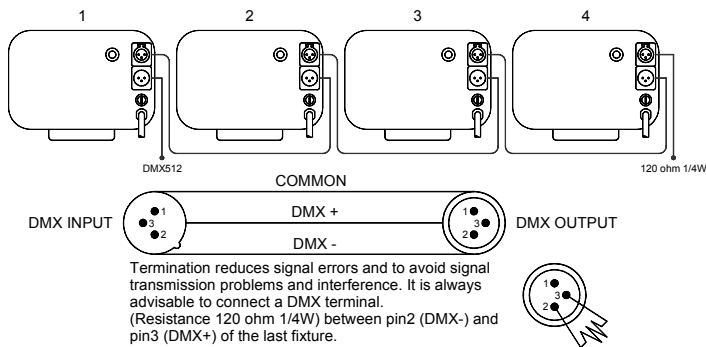
- Estrobo con diferentes gobos/colores
- Estrobo sincronizado de color blanco
- Estrobo de 2luzes de color blanco

En modo SLOW (Led MODE encendido), cada pulsación sobre el botón FUNCTION modifica los colores/gobos de la unidades conectadas.



4. Controlado por controlador DMX universal:

El famoso protocolo DMX consiste en una señal muy rápida que permite controlar equipos de iluminación. Resulta imperativo conectar el controlador DMX y los diferentes elementos de la cadena con cables XLR balanceados de buena calidad (por ejemplo. JB Systems ref. 7-0063). Para evitar que los efectos se comporten de manera anormal, por culpa de interferencias, utilizar terminales de 90Ω a 120Ω en fin de cadena. No se deben utilizar cables en "y", no funcionan!



Cada efecto de la cadena necesita su propia dirección de arranque para saber cuales informaciones, mandadas por el controlador, tiene que decodificar.

Configuración de los DIP para obtener la dirección de arranque correcta:

En la parte trasera del Winner, cada uno de los 9 DIP corresponde a un valor:

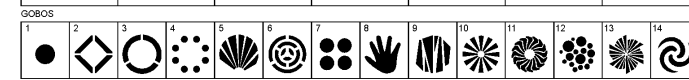
Dip	#1	#2	#3	#4	#5	#6	#7	#8	#9
Valor	1	2	4	8	16	32	64	128	256

Combinar estos valores para obtener direcciones de arranque situadas entre 1 y 512:

- Dirección = 01 → DIP 1=ON valor: 1
- Dirección = 05 → DIP 1+3=ON valor: 1+4 = 5
- Dirección = 09 → DIP 1+4=ON valor: 1+8 = 9
- Dirección = 13 → DIP 1+3+4=ON valor: 1+4+8 = 13
- ...
- Dirección = 62 → DIP 2+3+4+5+6=ON valor: 2+4+8+16+32 = 62

CONFIGURACION DMX DEL WINNER:

DMX512 CONFIGURATION									
CHANNEL 1	CHANNEL 2	CHANNEL 3	CHANNEL 4			CHANNEL 5			
SHUTTER	GOBO	COLOR	FLAT	PAN	BARREL	FLAT	TILT	BARREL	
256 ████████	Fast	Fast	[Icon]	[Icon]	[Icon]	[Icon]	[Icon]	Stopped	
174 ████████	Slow	Slow	[Icon]	[Icon]	[Icon]	[Icon]	[Icon]	Stopped	
128 ████████	Gobo 14	Magenta	[Icon]	[Icon]	[Icon]	[Icon]	[Icon]	Stopped	
112 ████████	Gobo 13	Yellow	[Icon]	[Icon]	[Icon]	[Icon]	[Icon]	Stopped	
104 ████████	Gobo 12	Blue	[Icon]	[Icon]	[Icon]	[Icon]	[Icon]	Stopped	
96 ████████	Gobo 11	Light Green	[Icon]	[Icon]	[Icon]	[Icon]	[Icon]	Stopped	
88 ████████	Gobo 10	Pink	[Icon]	[Icon]	[Icon]	[Icon]	[Icon]	Stopped	
80 ████████	Gobo 9	Purple	[Icon]	[Icon]	[Icon]	[Icon]	[Icon]	Stopped	
72 ████████	Gobo 8	Red	[Icon]	[Icon]	[Icon]	[Icon]	[Icon]	Stopped	
64 ████████	Gobo 7	Amber	[Icon]	[Icon]	[Icon]	[Icon]	[Icon]	Stopped	
56 ████████	Gobo 6	Light blue	[Icon]	[Icon]	[Icon]	[Icon]	[Icon]	Stopped	
48 ████████	Gobo 5	Orange	[Icon]	[Icon]	[Icon]	[Icon]	[Icon]	Stopped	
40 ████████	Gobo 4	Green	[Icon]	[Icon]	[Icon]	[Icon]	[Icon]	Stopped	
32 ████████	Gobo 3	White	[Icon]	[Icon]	[Icon]	[Icon]	[Icon]	Stopped	
24 ████████	Gobo 2		[Icon]	[Icon]	[Icon]	[Icon]	[Icon]	Stopped	
16 ████████	Gobo 1		[Icon]	[Icon]	[Icon]	[Icon]	[Icon]	Stopped	
8 ████████	Open		[Icon]	[Icon]	[Icon]	[Icon]	[Icon]	Stopped	
0 ████████	Blackout		[Icon]	[Icon]	[Icon]	[Icon]	[Icon]	Stopped	



MANTENIMIENTO

- Asegúrese de que el área por debajo del sitio de instalación está libre de personas ajenas durante la reparación.
- Apague la unidad, desconecte el cable principal y espere hasta que la unidad se haya enfriado.

Durante la inspección los siguientes puntos deben ser comprobados:

- Todos los tornillos usados para la instalación del aparato y cualquiera de sus partes deben ser apretados fuertemente y no pueden estar corroídos.
- Carcasas, fijaciones y puntos de instalación (techos, armaduras, suspensiones) deberán estar totalmente libres de ninguna deformación.
- Cuando una lente óptica esté visiblemente dañada debido a golpes o rayados profundos, debe ser cambiada.
- Los cables principales deben estar en una condición impecable y deben ser cambiados de inmediato cuando incluso un pequeño problema se detecte.
- En orden de proteger al aparato de sobrecalentamiento, los ventiladores de enfriamiento (caso de haberlos) y las aperturas de ventilación deberían ser limpiados mensualmente.
- El interior del aparato debería ser limpiado anualmente usando una aspiradora o máquina de aire.
- La limpieza de lentes y/o espejos internos y externos debe ser llevada a cabo periódicamente para optimizar la salida de luz. La frecuencia de limpieza depende del ambiente en el cual la instalación está funcionando: húmedo, con humo o con alrededores particularmente sucios puede causar una mayor acumulación de polvo en las ópticas de la unidad.
 - Limpie con un trapo suave usando productos limpiadores normales de cristal.
 - Seque siempre las partes cuidadosamente.
 - Limpie las ópticas externas al menos una vez cada 30 días.
 - Limpie las ópticas internas al menos una vez cada 90 días.

Atención: ¡Recomendamos con insistencia que la limpieza interna sea llevada a cabo por personal cualificado!

ESPECIFICACIONES

Alimentación:	AC 230V, 50Hz
Fusible:	250V / 5A Volado lenta (cristal de 20mm)
Control de sonido:	Micrófono Interno
Conexiones DMX :	3pin XLR macho / hembra
Lámpara:	HID 150W
Tamaño:	50 x 20 x 15.5cm
Peso:	11kg

Toda la información está sujeta a cambio sin previo aviso

MANUAL DO UTILIZADOR

Obrigado por ter adquirido este produto da JB Systems. De modo a tirar total proveito das possibilidades deste produto, por favor leia este manual com atenção.

CARACTERÍSTICAS

Esta unidade está protegida contra interferências rádio. Este produto cumpre as exigências impostas pelas presentes directivas nacionais e europeias. A conformidade deste produto foi comprovada e as declarações e documentos relevantes foram efectuados pelo fabricante.

- Esta unidade destina-se a produzir efeitos luminosos decorativos e é utilizada em sistemas de espectáculos de luz.
- Scanner de alto desempenho com capacidades ilimitadas
- Utiliza uma lâmpada de descarga especial HID-150 para uma luminosidade excepcional!
- Controlo:
 - 5 canais DMX
 - Função stand alone (música)
 - Com ligação master/slave (música)
- Controlador CA-8 para aceder a funções adicionais
- 15 gobos + obturador
- 11 cores dicroicas + branco (em roda de cor separada)
- Arrefecimento por ventoinha e protecção contra sobreaquecimento
- Efeito strobe
- Programas incorporados

ANTES DE UTILIZAR

- Antes de utilizar esta unidade verifique se existem danos provocados durante o transporte. Caso existam danos aparentes, não utilize a unidade e contacte o seu revendedor.
- **Importante:** Esta unidade deixou a nossa fábrica em perfeitas condições e devidamente embalada. É imprescindível que o utilizador siga as instruções de segurança e avisos descritos neste manual. Quaisquer danos provocados por utilização incorrecta não serão cobertos pela garantia. O revendedor não será responsável por quaisquer danos ou problemas causados pelo incumprimento das instruções deste manual.
- Guarde este manual num local seguro para consulta futura. Caso venda esta unidade, forneça este manual.

Verifique o conteúdo:

Certifique-se que a caixa contém os seguintes artigos:

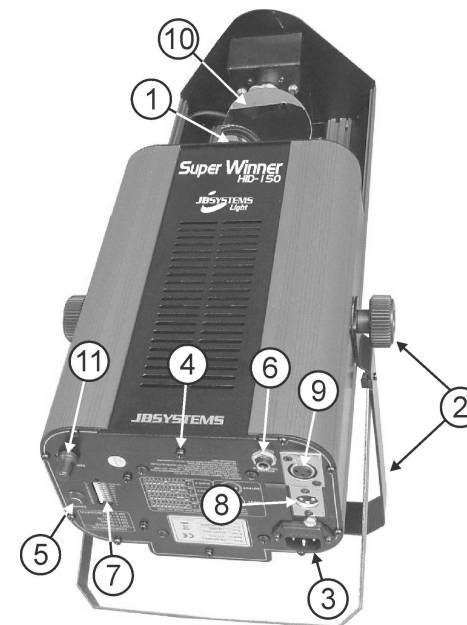
- Scanner SUPER WINNER HID
- Suporte de suspensão com 2 parafusos de aperto
- Manual do utilizador

INSTRUÇÕES DE SEGURANÇA:

- Proteja o ambiente. Recicle o material desta embalagem.
- Os efeitos luminosos novos podem por vezes produzir algum fumo e/ou cheiro desagradável. Esta situação é normal e temporária.
- De modo a evitar risco de fogo ou choque eléctrico, não exponha este produto a chuva ou humidade.
- De forma a evitar a formação de condensação no interior da unidade, ao transportá-la para ambiente quente aguarde algum tempo de modo a que haja uma ambientação à temperatura. A condensação poderá afectar o desempenho da unidade ou até danificá-la.
- Esta unidade destina-se unicamente a utilização em espaços fechados.
- Não introduza objectos de metal nem verta líquidos no interior do produto, correrá risco de choque eléctrico ou poderá danificar o produto. Caso algum objecto estranho entre em contacto com o interior da unidade, desligue-a de imediato da corrente.
- Coloque esta unidade num local arejado, afastado de materiais inflamáveis e/ou líquidos. Esta unidade deverá ser instalada a pelos menos 50cm de distância de paredes circundantes.
- Não cubra os orifícios de ventilação ou a unidade poderá sobreaquecer.
- Evite locais com poeiras. Limpe a unidade regularmente.
- Mantenha esta unidade fora do alcance das crianças.
- Esta unidade deverá ser operada unicamente por pessoas experientes.
- Temperatura ambiente de funcionamento máxima é de 45°C. Não utilize esta unidade a temperaturas ambientes mais elevadas.
- A temperatura da superfície da unidade pode alcançar os 85°C. Não toque na cobertura da unidade com mãos descobertas durante o funcionamento.
- Certifique-se de que não irão passar pessoas sob a área de instalação da unidade durante a instalação e manutenção.
- Aguarde cerca de 10 minutos para que a unidade arrefeça antes de substituir a lâmpada ou de efectuar a manutenção.
- Desligue sempre a unidade da corrente quando não a utilizar durante longos períodos de tempo, antes de substituir a lâmpada ou de efectuar manutenção.
- A instalação eléctrica deve ser efectuada unicamente por pessoal qualificado, cumprindo os regulamentos de segurança em instalações eléctricas e mecânicas do seu país.
- Certifique-se que a voltagem a utilizar não é superior à voltagem indicada no painel traseiro da unidade.
- O cabo de alimentação deverá estar sempre em perfeitas condições: desligue a unidade e substitua imediatamente o cabo caso este apresente algum dano.
- Nunca permita que este cabo entre em contacto com outros cabos!
- Esta unidade deverá estar ligada à Terra de forma a respeitar as regras de segurança.
- Não ligue a unidade a reguladores de intensidade.

- Utilize sempre um cabo de segurança aprovado ao instalar a unidade.
- De forma a não correr risco de choque eléctrico não abra a cobertura da unidade. À excepção da lâmpada e do fusível, não existem peças que possam ser substituídas pelo utilizador.
- **Nunca** repare um fusível nem tente operar a unidade sem fusível. Substitua **sempre** um fusível danificado por outro com as mesmas características!
- Em caso de problemas sérios de funcionamento, interrompa a utilização da unidade e contacte imediatamente o seu revendedor.
- A cobertura e as lentes deverão ser substituídas caso apresentem danos visíveis.
- Caso seja necessário transportar a unidade utilize a embalagem original.
- Por motivos de segurança, são proibidas quaisquer alterações não autorizadas à unidade.

Importante: Nunca olhe directamente para a luz! Não utilize este efeito luminoso na presença de pessoas epilépticas.

DESCRIÇÃO:

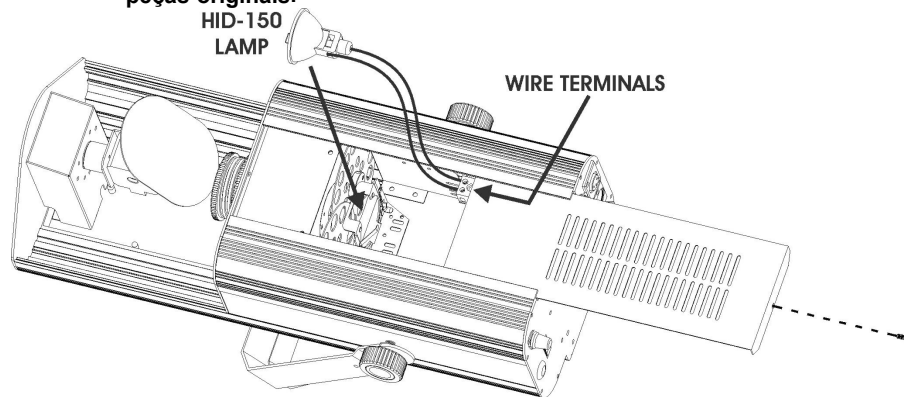
1. Lente óptica com focagem manual
2. Suporte de suspensão com 2 parafusos de aperto em ambos os lados para fixar a unidade e um orifício para aplicação de um gancho de montagem.
3. Fonte de alimentação
4. Compartimento da lâmpada. Desaperte o parafuso para aceder ao compartimento.
5. Microfone interno
6. Conector Jack 1/4" utilizado para ligar o controlador opcional CA-8.
7. Interruptores DIP switch, utilizados para definir o endereço inicial da unidade.

8. Entrada DMX: conector XLR macho de 3 pins utilizado para ligar cabos DMX universais. Esta entrada recebe informações de um controlador DMX ou de outra unidade Winner durante o modo master/slave.
9. Saída DMX: conector XLR fêmea de 3 pins utilizado para ligar o Winner a outra unidade na cadeia DMX ou a outro Winner em modo master/slave.
10. Espelho de varrimento
11. Controlo sensibilidade à música
12. Suporte do fusível

COLOCAR/SUBSTITUIR A LÂMPADA



Em caso de substituição da lâmpada ou manutenção, aguarde 10 minutos após desligar a unidade. Desligue sempre a unidade da corrente antes de efectuar a manutenção! Utilize sempre peças suplentes com as mesmas características (lâmpadas, fusíveis, etc). Utilize unicamente peças originais.



- Desligue o cabo de alimentação da corrente.
 - Aguarde cerca de 10 minutos para que a unidade arrefeça.
 - Utilize uma chave de fendas para desapertar o parafuso que fecha o compartimento da lâmpada.
 - No interior irá ver a lâmpada. Remova-a com cuidado do suporte da lâmpada.
 - Desaperte os 2 fios dos terminais dos fios
 - Instale os 2 fios da nova lâmpada nos terminais dos fios e verifique que aperta bem os terminais
 - Coloque com cuidado a nova lâmpada no respectivo suporte.
- Atenção!** Verifique o rótulo na parte de trás da unidade ou consulte as especificações descritas neste manual para saber que lâmpada deve utilizar. Nunca instale lâmpadas com nível de watts superior ao indicado! Lâmpadas com nível de watts superior geram temperaturas que a unidade não está preparada para suportar. Caso a unidade utilize um transformador de lâmpada, este irá danificar-se devido a sobrecarga de corrente.
- Não toque na lâmpada com as mãos descobertas, caso contrário irá diminuir drasticamente a sua duração! Caso toque na lâmpada com as mãos, limpe-a utilizando um pano e álcool antes de efectuar a instalação.
 - Certifique-se que os fios não tocam na lâmpada.

- Feche o compartimento da lâmpada e aperte o parafuso.
- Operação concluída!

INSTALAÇÃO EM SUSPENSÃO

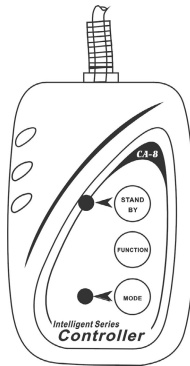
- **Importante:** A instalação deve ser efectuada unicamente por pessoal qualificado. Uma instalação incorrecta pode resultar em ferimentos graves e/ou danos na sua propriedade. Para efectuar uma instalação em suspensão é necessária muita experiência! Respeite os limites de carga, utilize materiais de instalação aprovados e inspecione a unidade instalada regularmente de forma a assegurar a segurança.
- Certifique-se que sob a área de instalação da unidade não irão passar pessoas durante a instalação e manutenção.
- Coloque esta unidade num local arejado, afastada de materiais inflamáveis e/ou líquidos. Esta unidade deverá ser instalada a **pelos menos 50cm** de distância de paredes circundantes.
- A unidade deve ser instalada fora do alcance das pessoas; afastada de áreas onde as pessoas possam passar ou sentar-se.
- Antes de proceder à instalação certifique-se que a área seleccionada pode suportar uma carga mínima de 10 vezes o peso da unidade.
- Na instalação, utilize sempre um cabo de segurança aprovado com capacidade para suportar 12 vezes o peso da unidade. Esta medida de segurança secundária deverá ser instalada de forma a que nenhuma parte da instalação possa cair mais de 20 cm caso o ponto de apoio principal ceda.
- A unidade deverá ser fixa firmemente. Uma instalação oscilante pode ser perigosa e não deverá ser efectuada!
- Não cubra os orifícios de ventilação ou a unidade poderá sobreaquecer.
- O utilizador da unidade deverá certificar-se que a instalação é aprovada em termos de segurança e em termos técnicos por uma pessoa qualificada antes de efectuar a primeira utilização. A instalação deverá ser inspecionada todos os anos por um técnico qualificado de forma a certificar-se que a segurança está assegurada.

FUNCIONAMENTO DO SUPER WINNER

1. **Standalone 1 unidade:**
Ligue simplesmente a unidade à corrente e ponha música a tocar. A unidade irá começar a funcionar automaticamente ao ritmo da música.
2. **Duas ou mais unidades em modo master/slave:**
Ligue duas ou mais unidades em conjunto utilizando cabos de microfone balanceados XLR de boa qualidade (por exemplo JB Systems código 7-0063). A unidade que não tiver qualquer cabo ligado à entrada irá funcionar como master; as restantes serão unidades slave.
Não precisa de se preocupar com a configuração dos interruptores DIP-switch DMX! Só é possível inverter o funcionamento de uma unidade mudando a posição do interruptor nº10. Experimente e compare o resultado. Mudar a posição do interruptor DIP-switch nº10 na unidade master não provocará qualquer alteração.

3. Ligue o controlador opcional CA-8 para obter controlo adicional:

O controlador CA-8 só pode ser utilizado em modo standalone ou master/slave. Ligue o controlador à entrada jack da primeira unidade (master). Em seguida poderá controlar todas as unidades ligadas:



BOTÃO STANDBY:

Pressione este botão para activar/desactivar o modo blackout em todas as unidades ligadas. O LED está aceso quando a função está activa. Após cerca de 30 segundos em modo blackout, a lâmpada será desligada automaticamente de forma a prolongar a sua duração.

MODE: (rápido/lento)

Quando o LED está apagado, o Winner está em modo RÁPIDO. Os movimentos do feixe e da roda de gobo/cor são activados por som. Pressione o botão para acender o LED e colocar o Winner em modo LENTO. Os movimentos do feixe são activados por som mas a roda de gobo/cor permanece estática e pode ser controlada com o botão FUNCTION.

BOTÃO FUNCTION: (strobe/seguinte)

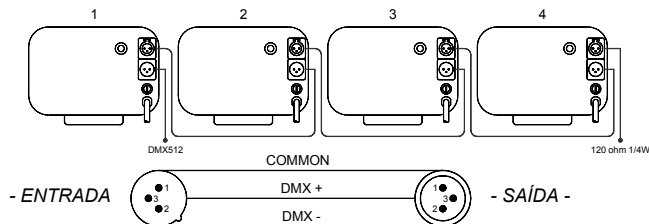
Pressione o botão FUNCTION enquanto o Winner está em modo RÁPIDO (LED MODE apagado), as unidades irão fazer strobe de 3 maneiras diferentes:

- Strobe com gobos/cores diferentes
- Strobe sincronizado em cor branca
- Strobe de duas luzes em cor branca

Cada vez que pressionar o botão FUNCTION enquanto o Winner está em modo LENTO (LED MODE aceso) as cores/gobos das unidades seleccionadas irão mudar.

4. Controlo através de controlador universal DMX:

O protocolo DMX é um sinal de alta velocidade amplamente utilizado para controlar equipamento de luz inteligente. É necessário ligar o controlador DMX e todos os efeitos luminosos em cadeia utilizando cabo balanceado XLR M/F de boa qualidade (ex: JB Systems ref. 7-0063). De forma a evitar que os efeitos luminosos tenham um comportamento estranho devido a interferências, deverá utilizar um terminal de 90Ω a 120Ω no final da cadeia. Nunca utilize seccionadores de cabo em Y, essa solução não irá funcionar!



Terminais reduzem erros de sinal e de modo a evitar problemas de transmissão e interferência é sempre aconselhável ligar um terminal DMX. (Resistência 120 ohm 1/4W) entre pin 2 (DMX-) e pin 3 (+) do último aparelho.

Cada efeito luminoso na cadeia tem de ter o seu próprio endereço inicial DMX de forma a poder descodificar os comandos do controlador a ela destinados.

Como configurar os interruptores DIPswitch de forma a obter os endereços iniciais correctos:

No painel traseiro do Winner poderá ver que cada um dos primeiros 9 interruptores corresponde a um certo valor (value):

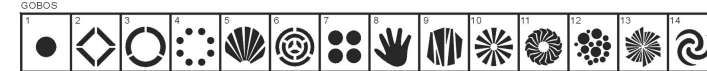
Dip	#1	#2	#3	#4	#5	#6	#7	#8	#9
Value	1	2	4	8	16	32	64	128	256

Poderá combinar os valores destes interruptores DIPswitch de forma a obter qualquer endereço inicial entre 1 e 512:

- Endereço inicial = 01 → switch 1=ON valores: 1
- Endereço inicial = 05 → switch 1+3=ON valores: 1+4 = 5
- Endereço inicial = 09 → switch 1+4=ON valores: 1+8 = 9
- Endereço inicial = 13 → switch 1+3+4=ON valores: 1+4+8 = 13
- Endereço inicial = 62 → switch 2+3+4+5+6=ON valores: 2+4+8+16+32 = 62

CONFIGURAÇÃO DMX DO WINNER:

DMX512 CONFIGURATION						
CHANNEL 1	CHANNEL 2	CHANNEL 3	CHANNEL 4		CHANNEL 5	
SHUTTER	GOBO	COLOR	PAN		TILT	
			FLAT	BARREL	FLAT	BARREL
255 Fast	255 Fast	255 Fast	Stopped	Stopped	Stopped	Stopped
196 Gobo Shaking	Slow	Slow				
136 Gobo+Color	128 Gobo 14	128 Magenta				
	120 Gobo 13	121 Yellow				
	112 Gobo 12	110 Blue				
	96 Gobo 11	99 Light green				
	88 Gobo 10	88 Pink				
	80 Gobo 9	77 Purple				
	72 Gobo 8	66 Red				
	64 Gobo 7	55 Amber				
	56 Gobo 6	44 Light blue				
	48 Gobo 5	33 Orange				
	40 Gobo 4	22 Green				
	32 Gobo 3	11 Open				
	24 Gobo 2	0 Blackout				
16 Gobo						
8 Stopped						
0 Stopped						



MANUTENÇÃO

- Certifique-se que sob a área de instalação da unidade não irão passar pessoas durante a manutenção.
- Desligue o cabo de alimentação da corrente e aguarde que a unidade arrefeça.

Durante a inspecção deverá verificar os seguintes pontos:

- Todos os parafusos utilizados nas peças da unidade e na instalação deverão estar apertados firmemente e não poderão estar corroídos.
- A cobertura da unidade, os pontos de fixação e as áreas de instalação (tecto, armação, etc.) não deverão apresentar qualquer deformação.
- Caso uma lente apresente danos visíveis como fendas ou riscos profundos, deverá ser substituída imediatamente.
- O cabo de alimentação deverá estar em perfeitas condições e deverá ser substituído assim que for detectado o mais pequeno dano.
- As ventoinhas de arrefecimento (caso existam) e os orifícios de ventilação deverão ser limpos todos os meses.
- Utilize um aspirador ou um compressor de ar para limpar o interior da unidade uma vez por ano.
- De forma a otimizar a projecção de luz, limpe as lentes ópticas internas e externas e/ou espelhos periodicamente. A regularidade das limpezas depende do ambiente em que está instalada a unidade: um ambiente húmido, com fumo ou poeiras dará origem a uma maior acumulação de impurezas nas ópticas da unidade.
 - Utilize um pano macio e um limpa-vidros normal na limpeza da unidade.
 - Seque sempre as peças cuidadosamente.
 - Limpe as ópticas externas pelo menos uma vez em cada 30 dias.
 - Limpe as ópticas internas pelo menos uma vez em cada 90 dias.

Atenção: Recomendamos vivamente que a limpeza do interior da unidade seja efectuada por pessoal qualificado!

ESPECIFICAÇÕES

Fonte de Alimentação:	AC 230V, 50Hz
Fusível:	250V 5A fusão lento (20mm vidro)
Controlo de som:	Microfone interno
Ligações DMX:	3pin XLR macho / fêmea
Lâmpada:	HID 150W
Dimensões:	50 x 20 x 15.5cm
Peso:	11kg

Estas informações estão sujeitas a alterações sem aviso prévio