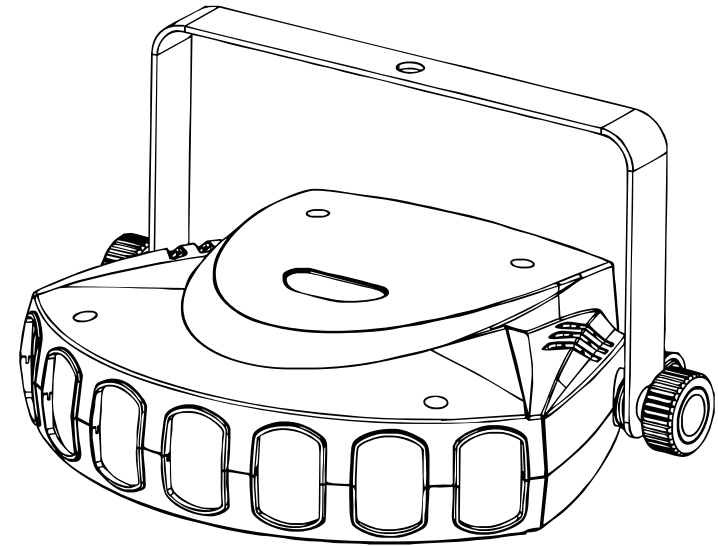


Taurus LED



Operation Manual EN
Mode d'emploi FR
Gebruiksaanwijzing NL
Bedienungsanleitung DE
Manual de instrucciones ES
Manual do utilizador PT

WWW.BEGLEC.COM

Copyright © 2010 by BEGLEC NV

t Hofveld 2C ~ B1702 Groot-Bijgaarden ~ Belgium

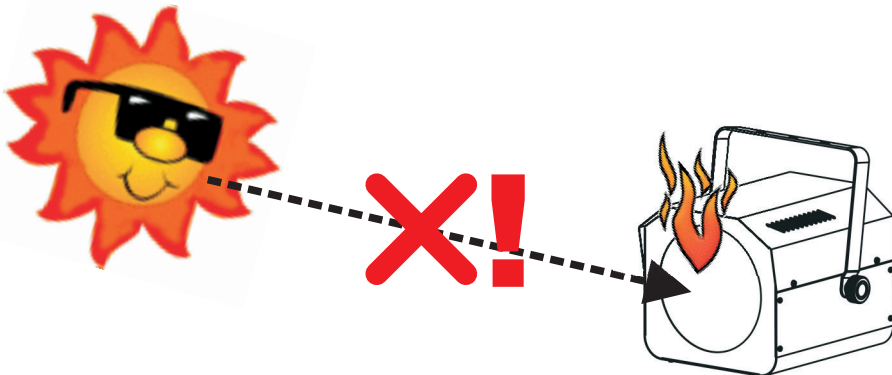
Reproduction or publication of the content in any manner, without express permission of the publisher, is prohibited.



Version: 1.3

JBSYSTEMS
Light

DANGER ~ GEVAAR ~ GEFAHR ~ PELIGRO ~ PERIGO



WARNING: DANGER! never expose the lens to direct sunlight, even for a short period. This may damage the light effect or even cause fire!

ATTENTION: DANGER! n'exposez jamais la lentille directement aux rayons de soleil, même pendant un bref instant. Ceci peut endommager l'intérieur de l'appareil ou même causer un incendie !

OPGELET : GEVAAR ! stel de lens nooit bloot aan direct zonlicht, zelfs gedurende een korte periode. Dit kan het toestel beschadigen en zelfs brand veroorzaken!

WARNUNG: GEFAHR! Setzen sie die Linse niemals direkter Sonneneinstrahlung aus, auch nicht für eine kurze Zeit ! Die direkte Sonneneinstrahlung kann das Gerät zerstören oder zum brennen bringen!

ADVERTENCIA: ¡PELIGRO! ¡nunca exponga la lente a la luz solar directa, aún durante un período corto! ¡Esto puede dañar el efecto de luz o incluso causar el fuego!

AVISO: PERIGO! Nunca exponha as lentes directamente à luz solar, mesmo que por pouco tempo! Isto pode danificar o efeito luminoso ou mesmo provocar um incêndio!

EN - DISPOSAL OF THE DEVICE

Dispose of the unit and used batteries in an environment friendly manner according to your country regulations.

FR - DÉCLASSER L'APPAREIL

Débarrassez-vous de l'appareil et des piles usagées de manière écologique, conformément aux dispositions légales de votre pays.

NL - VERWIJDEREN VAN HET APPARAAT

Verwijder het toestel en de gebruikte batterijen op een milieuvriendelijke manier conform de in uw land geldende voorschriften.

DU - ENTSORGUNG DES GERÄTS

Entsorgen Sie das Gerät und die Batterien auf umweltfreundliche Art und Weise gemäß den Vorschriften Ihres Landes.

ES - DESHACERSE DEL APARATO

Reciclar el aparato y pilas usadas de forma ecologica conforme a las disposiciones legales de su país.

PT - COMO DESFAZER-SE DA UNIDADE

Tente reciclar a unidade e as pilhas usadas respeitando o ambiente e em conformidade com as normas vigentes no seu país.



OPERATION MANUAL

Thank you for buying this JB Systems® product. To take full advantage of all possibilities and for your own safety, please read these operating instructions very carefully before you start using this unit.

FEATURES

This unit is radio-interference suppressed. This product meets the requirements of the current European and national guidelines. Conformity has been established and the relevant statements and documents have been deposited by the manufacturer.

- This device has been designed to produce decorative effect lighting and is used in light show systems.
- Powerful, eye-catching, LED effect.
- Based on 7 lenses and a total of 84 power LEDs (R=21 + G=21 + B=21 + W=21):
 - Extremely brilliant colors compared to effects with halogen lamps
 - More dynamic effects compared to effects based on halogen lamps
 - Very sharp white, blue, red and green laser-like beams
 - No lamp replacements!
 - Uses LEDs with extremely long lifespan!
 - Virtually no heat production
 - Very low power consumption, only 12Watt!
 - Lightweight (no lamp transformers needed)
- 0-100% dimming and ultra fast strobe function
- Excellent built-in programs for wonderful, ever changing, light shows:
 - DMX-control: selectable 1, 3, 9 or 28 channels for full control of the 7 LED clusters
 - Standalone: sound activated with internal mic
 - Master/slave: wonderful synchronized shows
- Optional CA-8 remote controller available
- IEC power in/outlets: daisy chaining of the mains power for up to 90 units, using optional IEC-cables.
- 4-digit menu driven display
- With an optional CPB-4 (Centerpiece bracket) 4 units can be mounted together to obtain an incredible and fantastic LED centerpiece effect!

BEFORE USE

- Before you start using this unit, please check if there's no transportation damage. Should there be any, do not use the device and consult your dealer first.
- **Important:** This device left our factory in perfect condition and well packaged. It is absolutely necessary for the user to strictly follow the safety instructions and warnings in this user manual. Any damage caused by mishandling is not subject to warranty. The dealer will not accept responsibility for any resulting defects or problems caused by disregarding this user manual.
- Keep this booklet in a safe place for future consultation. If you sell the fixture, be sure to add this user manual.

Check the contents:

Check that the carton contains the following items:

- Operating instructions
- TAURUS
- Hanging bracket with knobs
- Mains cable

SAFETY INSTRUCTIONS:



CAUTION
RISK OF ELECTRIC SHOCK
DO NOT OPEN



CAUTION: To reduce the risk of electric shock, do not remove the top cover. No user-serviceable parts inside. Refer servicing to qualified service personnel only.



The lightning flash with arrowhead symbol within the equilateral triangle is intended to alert the user or the presence of un-insulated "dangerous voltage" within the product's enclosure that may be of sufficient magnitude to constitute a risk of electric shock.



The exclamation point within the equilateral triangle is intended to alert the user to the presence of important operation and maintenance (servicing) instructions in the literature accompanying this appliance.



This symbol means: indoor use only



This symbol means: Read instructions

- To protect the environment, please try to recycle the packing material as much as possible.
- A new light effect sometimes causes some unwanted smoke and/or smell. This is normal and disappears after some minutes.
- To prevent fire or shock hazard, do not expose this appliance to rain or moisture.
- To avoid condensation to be formed inside, allow the unit to adapt to the surrounding temperatures when bringing it into a warm room after transport. Condense sometimes prevents the unit from working at full performance or may even cause damages.
- This unit is for indoor use only.
- Don't place metal objects or spill liquid inside the unit. Electric shock or malfunction may result. If a foreign object enters the unit, immediately disconnect the mains power.
- Locate the fixture in a well ventilated spot, away from any flammable materials and/or liquids. The fixture must be fixed at least 50cm from surrounding walls.
- Don't cover any ventilation openings as this may result in overheating.
- Prevent use in dusty environments and clean the unit regularly.
- Keep the unit away from children.
- Inexperienced persons should not operate this device.
- Maximum save ambient temperature is 40°C. Don't use this unit at higher ambient temperatures.
- Make sure the area below the installation place is free from unwanted persons during rigging, de-rigging and servicing.
- Always unplug the unit when it is not used for a longer time or before you start servicing.
- The electrical installation should be carried out by qualified personal only, according to the regulations for electrical and mechanical safety in your country.
- Check that the available voltage is not higher than the one stated on the rear panel of the unit.
- The power cord should always be in perfect condition. Switch the unit immediately off when the power cord is squashed or damaged. It must be replaced by the manufacturer, its service agent or similarly qualified persons in order to avoid a hazard.
- Never let the power-cord come into contact with other cables!
- This fixture must be earthed to in order comply with safety regulations.
- Don't connect the unit to any dimmer pack.
- Always use an appropriate and certified safety cable when installing the unit.
- In order to prevent electric shock, do not open the cover. There are no user serviceable parts inside.
- **Never** repair a fuse or bypass the fuse holder. **Always** replace a damaged fuse with a fuse of the same type and electrical specifications!
- In the event of serious operating problems, stop using the fixture and contact your dealer immediately.
- The housing and the lenses must be replaced if they are visibly damaged.
- Please use the original packing when the device is to be transported.
- Due to safety reasons it is prohibited to make unauthorized modifications to the unit.

Important: Don't use the effect in the presence of persons suffering from epilepsy.

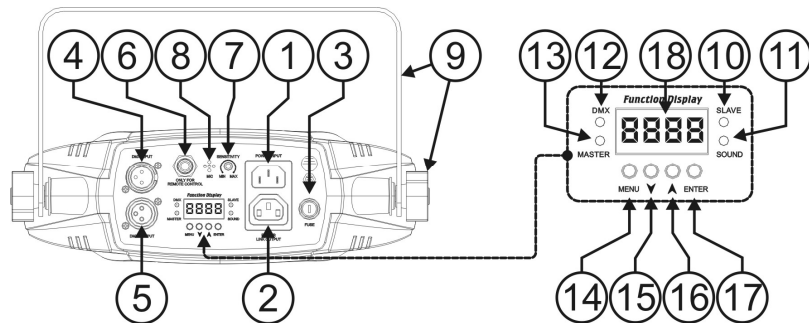
OVERHEAD RIGGING

- **Important:** The installation must be carried out by qualified service personal only. Improper installation can result in serious injuries and/or damage to property. Overhead rigging requires extensive experience! Working load limits should be respected, certified installation materials should be used, the installed device should be inspected regularly for safety.
- Make sure the area below the installation place is free from unwanted persons during rigging, de-rigging and servicing.
- Locate the fixture in a well ventilated spot, far away from any flammable materials and/or liquids. The fixture must be fixed at least 50cm from surrounding walls.
- The device should be installed out of reach of people and outside areas where persons may walk by or be seated.
- Before rigging make sure that the installation area can hold a minimum point load of 10times the device's weight.
- Always use a certified safety cable that can hold 12times the weight of the device when installing the unit. This secondary safety attachment should be installed in a way that no part of the installation can drop more than 20cm if the main attachment fails.
- The device should be well fixed; a free-swinging mounting is dangerous and may not be considered!
- Don't cover any ventilation openings as this may result in overheating.
- The operator has to make sure that the safety-relating and machine-technical installations are approved by an expert before using them for the first time. The installations should be inspected every year by a skilled person to be sure that safety is still optimal.

CREATING A CENTERPIECE EFFECT

Whit an optional CPB-4 "Centerpiece bracket" you can make a fantastic combination of 4pcs TAURUS led. The result is a superb LED Centerpiece effect, really a must if you want an original and eye-catching effect!

DESCRIPTION:



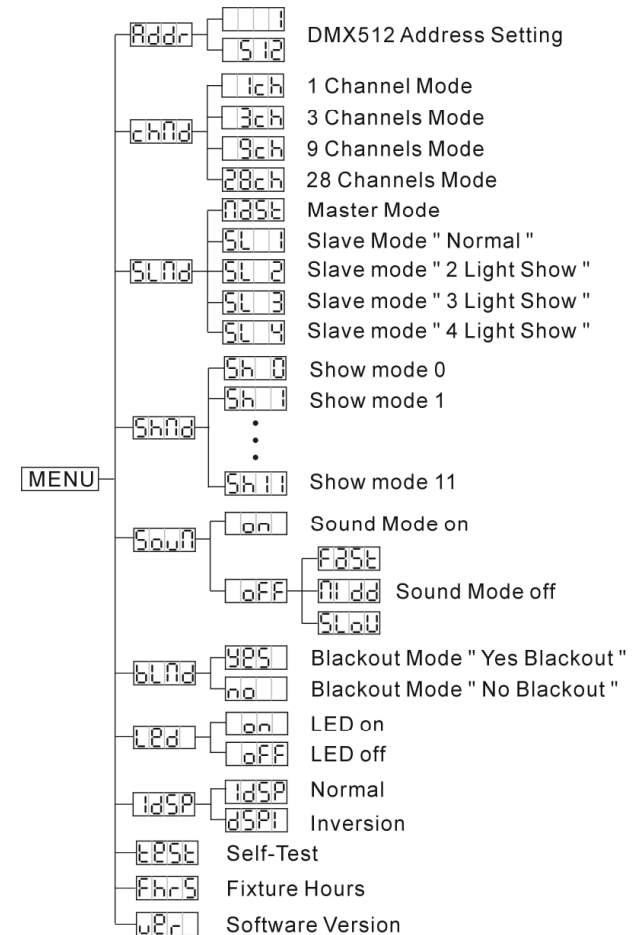
1. Mains input with IEC socket, connect the supplied mains cable here
2. Mains output with IEC socket: you can use a special IEC power cable to connect this output with the mains input of the next TAURUS for easier linking. (max 90 units can be linked)
3. Fuse holder
4. DMX input
5. DMX output
6. 1/4" Jack input for the optional CA-8 hand controller
7. Sensitivity control for the internal microphone
8. Internal microphone
9. Hanging bracket with 2 knobs on both sides to fasten the unit and a mounting hole to fix a mounting hook.
10. Slave LED: is lit when the unit is in slave mode
11. Sound LED: blinks to the rhythm of the music while the unit is in audio mode
12. DMX LED: is lit when the unit receives a DMX-signal

13. Master LED: is lit when the unit is switched as master
14. MENU button: used to select the different menu items
15. DOWN button: to go back in the menu and to lower the values shown on the display.
16. UP button: to go up in the menu and to increase the values shown on the display.
17. ENTER button: used to confirm your choice.
18. DISPLAY shows the various menus and the selected functions.

HOW TO SETUP:

MAIN MENU:

- To select any of the menu options, press the **MENU** button up to when the required one is shown on the display.
- Select the function with the **ENTER** button. The display will blink.
- Use **DOWN** and **UP** button to choose the desired menu option.
- Once the required menu option is selected, press the **ENTER** button to select. To go back to the functions without any change press the **MENU** button or just wait 8 seconds. The menu structure is shown below.



Addr DMX512 Address Setting

Used to set the starting address in a DMX setup.

- Press the MENU button until **Addr** is shown on the display.
 - Press the ENTER button, the display starts blinking.
 - Use DOWN and UP buttons to change the DMX512 address.
 - Once the correct address shows on the display, press the ENTER button to save it.
(or automatically return to the main functions without any change after 8 seconds)
- To go back to the functions without any change press the MENU button again for about 2seconds.

Chan Channel Mode

- Press the MENU button until **Chan** is shown on the display.
 - Press the ENTER button, the display starts blinking.
 - Use DOWN and UP button to select one of the available channel modes.
 - Once the mode is selected, press the ENTER button to setup
(or automatically return to the main functions without any change after 8 seconds)
- To go back to the functions without any change press the MENU button again for about 2seconds.

SLND Working Mode

Used to set the unit in master or slave mode.

- Press the MENU button until **SLND** is shown on the display.
 - Press the ENTER button, the current working mode starts blinking in the display
 - Use the DOWN and UP buttons to select **MAST** (master) or one of the 4 slave modes: **SL1** → **SL4**.
 - Once the mode is selected, press the ENTER button save it.
(or automatically return to the main functions without any change after 8 seconds)
- To go back to the functions without any change press the MENU button again for about 2seconds.

Remarks: When only one unit is used, you should always select master mode.

SHND Show Mode

Used to choose to select one of the preprogrammed shows when used in standalone or master/slave mode.

- Press the MENU button until **SHND** is showing on the display.
 - Press the ENTER button, the current show starts blinking in the display.
- Use DOWN and UP buttons to select one of the preprogrammed shows **SH 0** (all shows played in random mode) to **SH11** (show 11)
- Once the right show blinks on the display, press the ENTER button to save it.
(or automatically return to the main functions without any change after 8 seconds)
- To go back to the functions without any change press the MENU button again for about 2seconds.

SOUN Sound Mode

Used to choose the desired sound mode to trigger the shows.

- Press the MENU button until **SOUN** is shown on the display.
 - Press the ENTER button, the display starts blinking.
 - Use DOWN and UP button to select one of the available channel modes:
 - **ON** (sound mode ON) → the shows are triggered by the internal microphone.
 - **OFF** (sound mode OFF) → the shows are triggered by the speed selected with the shows.
When you select this mode and you press the enter button, then you can select the show speed: **FAST** (fast), **MID** (middle) or **SLOW** (slow)
 - Press the ENTER button to confirm the selection
(or automatically return to the main functions without any change after 8 seconds)
- To go back to the functions without any change press the MENU button again for about 2seconds.

BLND Blackout Mode

Blackout mode: when no DMX-signal is detected, the unit goes in blackout.

No blackout mode: when no DMX-signal is detected, the unit automatically switches to master mode.

ALWAYS set to “No Blackout” when the unit is used in master (or master/slave) mode!!!

- Press the MENU button until **BLND** is shown on the display.
 - Press the ENTER button, the current selection starts blinking in the display.
 - Use DOWN and UP button to select **YES** (blackout) or **NO** (no blackout) mode.
 - Once the mode is selected, press the ENTER button to save it.
(or automatically return to the main functions without any change after 8 seconds)
- To go back to the functions without any change press the MENU button again for about 2seconds.

LED Led Display

Display on: display is always on.

Display off: display is off when not used.

- Press the MENU button until the display shows **LED**.
 - Press the ENTER button, the display starts blinking.
 - Use DOWN and UP buttons to select **ON** (display always on) or **OFF** (display off when not used).
 - Once the mode is selected, press the ENTER button to save it.
(or automatically return to the main functions without any change after 8 seconds)
- To go back to the functions without any change press the MENU button again for about 2seconds.

LDSP Display Inversion

Display normal: display is readable when the unit is on the floor.

Display inversion: display is readable when the unit is mounted upside down.

- Press the MENU button until **LDSP** is blinking on the display. (normal display)
 - Use the ENTER button to change to the mode **DISP** (display inversion), the option will be automatically stored after 8 seconds. Or press the ENTER button again return to the mode **LDSP** (normal display).
- To go back to the functions without any change press the MENU button again for about 2seconds.

TEST Self-Test

Run a built-in self-test program

- Press the MENU button until the display shows **TEST**
 - Press the ENTER button, the display starts blinking: the unit runs abuilt-in self-test program.
- To go back to the functions without any change press the MENU button again for about 2seconds.

Fhrs Fixture Hours

Used to show the number of working hours of the unit.

- Press the MENU button until **Fhrs** is blinking on the display.
 - Press the ENTER button to show the number of working hours in the display.
- To go back to the functions without any change press the MENU button again for about 2seconds.

VER Software version:

Used to show the software version of the unit.

- Press the MENU button until **VER** blinks on the display.
 - Press the ENTER button to show the software version of the unit.
- To go back to the functions without any change press the MENU button again for about 2seconds.

ELECTRICAL INSTALLATION + ADDRESSING

⚠ Important: The electrical installation should be carried out by qualified personal only, according to the regulations for electrical and mechanical safety in your country.

Electrical installation for 1 standalone unit:

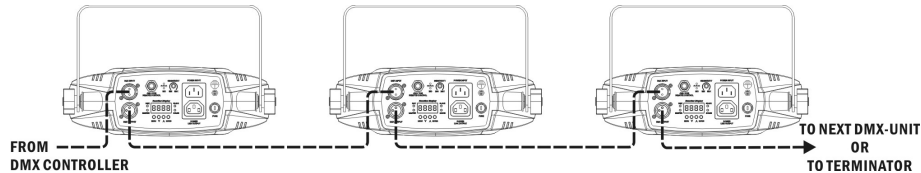
- Just insert the mains cable. The unit starts working immediately in stand-alone mode.
- Remark1:** You can connect a CA-8 remote controller to the unit if you want to have more control. Refer to "how to operate the unit" to learn how to do this.
- Remark2:** if there's no output, please make sure to set the unit in master mode and set the blackout mode to "NO" (see previous chapter)

Electrical installation for two or more units in master/slave:

- Connect 2 to maximum 16 units together using good quality balanced microphone cables. Put the first unit of the chain in master mode, the rest must be set to slave mode (SL1, SL2, SL3 or SL4). See the previous chapter for more information.
- Make sure that all units are connected to the mains.
- Done!
- Remark:** You can connect a CA-8 remote controller to the master unit if you want to have more control over the master/slave operation

Electrical installation in DMX-mode:

- The DMX-protocol is a widely used high speed signal to control intelligent light equipment. You need to "daisy chain" your DMX controller and all the connected units with a good quality balanced cable.
- Both XLR-3pin and XLR-5pin connectors are used, however XLR-3pin is more popular because these cables are compatible with balanced audio cables.
Pin layout XLR-3pin: Pin1 = GND ~ Pin2 = Negative signal (-) ~ Pin3 = Positive signal (+)
Pin layout XLR-5pin: Pin1 = GND ~ Pin2 = Negative signal (-) ~ Pin3 = Positive signal (+) ~ Pins4+5 not used.
- To prevent strange behavior of the light effects, due to interferences, you must use a 90Ω to 120Ω terminator at the end of the chain. Never use Y-splitter cables, this simply won't work!
- Make sure that all units are connected to the mains.
- Each light effect in the chain needs to have its proper starting address so it knows which commands from the controller it has to decode. In the next section you will learn how to set the DMX addresses.



• HOW TO SET THE RIGHT STARTING ADDRESS:

Refer to the previous chapter (DMX-512 address setting) to learn how to set the starting address on this unit. The starting address of each unit is very important. Unfortunately it is impossible to tell you in this user manual which starting addresses you have to set because this completely depends on the controller you will use... So please refer to the user manual of your DMX-controller to find out which starting addresses you must set.

DIFFERENT DMX-CONFIGURATIONS OF TAURUS:

• 1 CHANNEL MODE:

Ch1	
Function	
250-255	Random show Fast
200-249	Slow
15-199	Chase 1-12
0-14	OFF

• 3 CHANNEL MODE:

DMX 512 Configuration				
Ch1	Ch2		Ch3	
Function	Color	Chase	Strobe	Chase Speed
	Ch1= 0-119	Ch1= 120-239	Ch1= 0-119	Ch1= 120-239
240-255 Stand Alone	240-255 Color15 224-239 Color14 208-223 Color13 192-207 Color12	250-255 Chase25 240-249 Chase24 230-239 Chase23 220-229 Chase22 210-219 Chase21 200-209 Chase20	Fast	Fast
120-239 Chase	176-191 Color11 160-175 Color10 144-159 Color9	180-189 Chase18 170-179 Chase17 160-169 Chase16 150-159 Chase15 140-149 Chase14	10-255	10-255
010-119 Color	128-143 Color8 112-127 Color7 096-111 Color6	130-139 Chase13 120-129 Chase12 110-119 Chase11 100-109 Chase10 090-099 Chase9	Fast	Fast
000-009 Off	080-095 Color5 064-079 Color4 048-063 Color3 032-047 Color2 016-031 Color1 000-015 OFF	080-089 Chase8 070-079 Chase7 060-069 Chase6 050-059 Chase5 040-049 Chase4 030-039 Chase3 020-029 Chase2 010-019 Chase1 000-009 OFF	Slow	Slow
			0-9 Open	0-9 Open

• 9 CHANNEL MODE:

DMX 512 Configuration								
Ch1	Ch2		Ch3		Ch4		Ch5	
Function	Color	Chase	Color	Chase	Color	Chase	Color	Chase
	Ch1= 0-119	Ch1= 120-239	Ch1= 0-119	Ch1= 120-239	Ch1= 0-119	Ch1= 120-239	Ch1= 0-119	Ch1= 120-239
240-255 Stand Alone	240-255 Color15	250-255 Chase25 240-249 Chase24 230-239 Chase23	240-255 Color15	250-255 Chase25 240-249 Chase24 230-239 Chase23	240-255 Color15	250-255 Chase25 240-249 Chase24 230-239 Chase23	240-255 Color15	250-255 Chase25 240-249 Chase24 230-239 Chase23
	224-239 Color14	210-219 Chase21 200-209 Chase20	224-239 Color14	210-219 Chase21 200-209 Chase20	224-239 Color14	210-219 Chase21 200-209 Chase20	224-239 Color14	210-219 Chase21 200-209 Chase20
	208-223 Color13	190-199 Chase19 180-189 Chase18	208-223 Color13	190-199 Chase19 180-189 Chase18	208-223 Color13	190-199 Chase19 180-189 Chase18	208-223 Color13	190-199 Chase19 180-189 Chase18
	192-207 Color12	170-179 Chase17 160-169 Chase16	192-207 Color12	170-179 Chase17 160-169 Chase16	192-207 Color12	170-179 Chase17 160-169 Chase16	192-207 Color12	170-179 Chase17 160-169 Chase16
120-239 Chase	176-191 Color11	150-159 Chase15 144-159 Color9	176-191 Color11	150-159 Chase15 144-159 Color9	176-191 Color11	150-159 Chase15 144-159 Color9	176-191 Color11	150-159 Chase15 144-159 Color9
	160-175 Color10	130-139 Chase13 128-143 Color8	160-175 Color10	130-139 Chase13 128-143 Color8	160-175 Color10	130-139 Chase13 128-143 Color8	160-175 Color10	130-139 Chase13 128-143 Color8
	144-159 Color9	120-129 Chase12 112-127 Color7	144-159 Color9	120-129 Chase12 112-127 Color7	144-159 Color9	120-129 Chase12 112-127 Color7	144-159 Color9	120-129 Chase12 112-127 Color7
	128-143 Color8	110-119 Chase11 096-111 Color6	128-143 Color8	110-119 Chase11 096-111 Color6	128-143 Color8	110-119 Chase11 096-111 Color6	128-143 Color8	110-119 Chase11 096-111 Color6
000-119 Color	080-095 Color5	080-099 Chase9 080-089 Chase8	080-095 Color5	080-099 Chase9 080-089 Chase8	080-095 Color5	080-099 Chase9 080-089 Chase8	080-095 Color5	080-099 Chase9 080-089 Chase8
	064-079 Color4	070-079 Chase7 060-069 Chase6	064-079 Color4	070-079 Chase7 060-069 Chase6	064-079 Color4	070-079 Chase7 060-069 Chase6	064-079 Color4	070-079 Chase7 060-069 Chase6
	048-063 Color3	050-059 Chase5 040-049 Chase4	048-063 Color3	050-059 Chase5 040-049 Chase4	048-063 Color3	050-059 Chase5 040-049 Chase4	048-063 Color3	050-059 Chase5 040-049 Chase4
	032-047 Color2	030-039 Chase3 020-029 Chase2	032-047 Color2	030-039 Chase3 020-029 Chase2	032-047 Color2	030-039 Chase3 020-029 Chase2	032-047 Color2	030-039 Chase3 020-029 Chase2
016-031 Color1	010-019 Chase1 000-009 OFF	016-031 Color1	010-019 Chase1 000-009 OFF	016-031 Color1	010-019 Chase1 000-009 OFF	016-031 Color1	010-019 Chase1 000-009 OFF	

DMX 512 Configuration							
Ch6		Ch7		Ch8		Ch9	
Color	Chase	Color	Chase	Color	Chase	Strobe	Chase Speed
Ch1= 0-119	Ch1= 120-239	Ch1= 0-119	Ch1= 120-239	Ch1= 0-119	Ch1= 120-239	Ch1= 0-119	Ch1= 120-239
240-255 Color15	250-255 Chase25 240-249 Chase24 230-239 Chase23	240-255 Color15	250-255 Chase25 240-249 Chase24 230-239 Chase23	240-255 Color15	250-255 Chase25 240-249 Chase24 230-239 Chase23	Fast ⚡ 10-255 ⚡ Slow ⚡	Fast ↑ 10-255 ↓ Slow ⚡
224-239 Color14	210-219 Chase21 200-209 Chase20	224-239 Color14	210-219 Chase21 200-209 Chase20	224-239 Color14	210-219 Chase21 200-209 Chase20		
208-223 Color13	190-199 Chase19 180-189 Chase18	208-223 Color13	190-199 Chase19 180-189 Chase18	208-223 Color13	190-199 Chase19 180-189 Chase18		
192-207 Color12	170-179 Chase17 160-169 Chase16	192-207 Color12	170-179 Chase17 160-169 Chase16	192-207 Color12	170-179 Chase17 160-169 Chase16		
176-191 Color11	150-159 Chase15 144-159 Color9	176-191 Color11	150-159 Chase15 144-159 Color9	176-191 Color11	150-159 Chase15 144-159 Color9	0-9	0-9
160-175 Color10	130-139 Chase13 128-143 Color8	160-175 Color10	130-139 Chase13 128-143 Color8	160-175 Color10	130-139 Chase13 128-143 Color8	0-9	0-9
144-159 Color9	120-129 Chase12 112-127 Color7	144-159 Color9	120-129 Chase12 112-127 Color7	144-159 Color9	120-129 Chase12 112-127 Color7	0-9	0-9
128-143 Color8	110-119 Chase11 096-111 Color6	128-143 Color8	110-119 Chase11 096-111 Color6	128-143 Color8	110-119 Chase11 096-111 Color6	0-9	0-9
112-127 Color7	100-109 Chase10 090-099 Chase9	112-127 Color7	100-109 Chase10 090-099 Chase9	112-127 Color7	100-109 Chase10 090-099 Chase9	0-9	0-9
096-111 Color6	080-089 Chase8 070-079 Chase7	096-111 Color6	080-089 Chase8 070-079 Chase7	096-111 Color6	080-089 Chase8 070-079 Chase7	0-9	0-9
080-095 Color5	060-069 Chase6 050-059 Chase5	080-095 Color5	060-069 Chase6 050-059 Chase5	080-095 Color5	060-069 Chase6 050-059 Chase5	0-9	0-9
064-079 Color4	040-049 Chase4 030-039 Chase3	064-079 Color4	040-049 Chase4 030-039 Chase3	064-079 Color4	040-049 Chase4 030-039 Chase3	0-9	0-9
048-063 Color3	020-029 Chase2 010-019 Chase1	048-063 Color3	020-029 Chase2 010-019 Chase1	048-063 Color3	020-029 Chase2 010-019 Chase1	0-9	0-9
032-047 Color2	000-015 OFF	032-047 Color2	000-015 OFF	032-047 Color2	000-015 OFF	0-9	0-9
016-031 Color1		016-031 Color1		016-031 Color1		0-9	0-9
000-015 OFF		000-015 OFF		000-015 OFF		0-9	0-9

• 28 CHANNEL MODE:

DMX 512 Configuration									
CH 1	CH 2	CH 3	CH 4	CH 5	CH 6	CH 7	CH 8	CH 9	CH 10
Red	Green	Blue	White	Red	Green	Blue	White	Red	Green
255 100%	255 100%	255 100%	255 100%	255 100%	255 100%	255 100%	255 100%	255 100%	255 100%
0 0%	0 0%	0 0%	0 0%	0 0%	0 0%	0 0%	0 0%	0 0%	0 0%
CH 11	CH 12	CH 13	CH 14	CH 15	CH 16	CH 17	CH 18	CH 19	CH 20
Blue	White	Red	Green	Blue	White	Red	Green	Blue	White
255 100%	255 100%	255 100%	255 100%	255 100%	255 100%	255 100%	255 100%	255 100%	255 100%
0 0%	0 0%	0 0%	0 0%	0 0%	0 0%	0 0%	0 0%	0 0%	0 0%
CH 21	CH 22	CH 23	CH 24	CH 25	CH 26	CH 27	CH 28		
Red	Green	Blue	White	Red	Green	Blue	White		
255 100%	255 100%	255 100%	255 100%	255 100%	255 100%	255 100%	255 100%		
0 0%	0 0%	0 0%	0 0%	0 0%	0 0%	0 0%	0 0%		

HOW TO OPERATE THE UNIT

YOU CAN OPERATE THE UNIT IN 3 WAYS:

- By master/slave built-in preprogram function
- By CA-8 easy controller
- By universal DMX controller

BY MASTER/SLAVE BUILT-IN PREPROGRAM FUNCTION:

Select this function when you want an instant show. By linking the units in master/slave connection, the first unit will control the other units to give an automatic, sound activated, synchronized light show. Its DMX input will have nothing plugged into it, and its master-LED will be constantly on and sound-LED will flash to the music.

Important! This function only works when the blackout mode in the menu of the master is set to OFF, otherwise nothing will happen! Read more about this option in the "How to setup" paragraph.

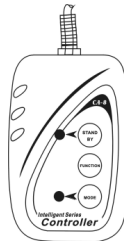
- **MASTER has 12 built-in shows:** You can select **SH 0** (show 0) to **SH11** (show 11) directly in the menu of the master.
- **SLAVES have 4 working options:** These units are set to slave mode (slave-LED is constantly on). In order to create a great light show you can introduce contrast movements → In the menu of the slave units you can go to option **SLnd** and select:
 - **SL 1** → **Normal slave:** slave works in sync with the master.
 - **SL 2** → **2 light show:** slave works in opposite with the master.
 - **SL 3** → **3 light show:** set this on unit 3 when several units are used.
 - **SL 4** → **4 light show:** set this on unit 4 when several units are used.

BY EASY CONTROLLER:

When used in Master/slave mode we strongly advice you to use the CA-8 "Easy controller" Just connect this small controller to the 1/4" jack of the master unit, and you will be able to control the following

FUNCTIONS:

Standby	Blackout the unit		
Function	1. Strobe 2. Sound synchronous strobe 3. Sound asynchronous strobe	Select Show.	Show Speed 1. Fast 2. Middle 3. Slow
Mode	(LED OFF)	(LED ON)	(LED flashing)



MAINTENANCE

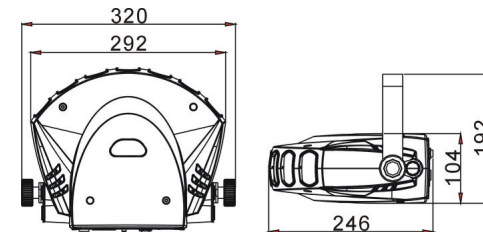
- Make sure the area below the installation place is free from unwanted persons during servicing.
- Switch off the unit, unplug the mains cable and wait until the unit has been cooled down.
- **During inspection the following points should be checked:**
- All screws used for installing the device and any of its parts should be tightly fastened and may not be corroded.
- Housings, fixations and installations spots (ceiling, truss, suspensions) should be totally free from any deformation.
- When an optical lens is visibly damaged due to cracks or deep scratches, it must be replaced.
- The mains cables must be in impeccable condition and should be replaced immediately when even a small problem is detected.
- In order to protect the device from overheat the cooling fans (if any) and ventilation openings should be cleaned monthly.
- The interior of the device should be cleaned annually using a vacuum cleaner or air-jet.
- The cleaning of internal and external optical lenses and/or mirrors must be carried out periodically to optimize light output. Cleaning frequency depends on the environment in which the fixture operates: damp, smoky or particularly dirty surroundings can cause greater accumulation of dirt on the unit's optics.
 - Clean with a soft cloth using normal glass cleaning products.
 - Always dry the parts carefully.

- Clean the external optics at least once every 30 days.
- Clean the internal optics at least every 90 days.

Attention: We strongly recommend internal cleaning to be carried out by qualified personnel!

SPECIFICATIONS

Mains Input:	AC 100V - 240V, 50Hz/60Hz
Max. Link up capacity IEC in/outputs:	90pcs
Power consumption:	12 Watt
Fuse:	250V T6,3A slow blow (20mm glass)
Sound Control:	Internal microphone
DMX connections:	3pin XLR male / female
DMX channels used:	1/3/9/28 channels
Lamp:	84 LEDs (R=21 + G=21 + B=21 + W=21):
Size:	246 x 320 x 192 mm
Weight:	2 kg



Every information is subject to change without prior notice
You can download the latest version of this user manual on our website: www.beglec.com

MODE D'EMPLOI

Merci d'avoir choisi ce produit JB Systems®. Pour votre sécurité et pour une utilisation optimale de toutes les possibilités de l'appareil, lisez attentivement cette notice avant utilisation.

EN VOUS INSCRIVANT POUR LA LETTRE D'INFORMATION VOUS SEREZ TOUJOURS TENU AU COURANT DES DERNIERES NOUVELLES CONCERNANT NOS PRODUITS: NOUVEAUTES, ACTIONS SPECIALES, JOURNEES PORTES OUVERTES, ETC.
→ SURFEZ SUR: WWW.BEGLEC.COM ←

CARACTERISTIQUES

Cet appareil ne produit pas d'interférences radio. Il répond aux exigences nationales et européennes. La conformité a été établie et les déclarations et documents correspondants ont été déposés par le fabricant.

- Cet appareil a été conçu pour la production de jeux de lumières décoratifs et des spectacles lumineux.
- Effet lumineux faisant usage de LED, d'une puissance et d'un attrait exceptionnels.
- Organisé en 7 groupes de LED comportant un total de 84 LED de puissance (= 21 rouges, 21 vertes, 21 bleues et 21 blanches):
 - Couleurs extrêmement brillantes comparées aux effets fonctionnant avec des lampes halogènes
 - Effets nettement plus dynamiques comparés aux effets fonctionnant avec des lampes halogènes
 - Faisceaux blancs, bleus, rouges et verts, extrêmement denses, un peu comme des rayons lasers
 - Pas de lampes à remplacer !
 - Utilise des LED ayant une durée de vie très longue !
 - Pratiquement aucune production de chaleur
 - Consommation de courant très faible, seulement 12 Watts !
 - Poids plume (aucun transfo pour lampes n'est nécessaire)
- Fonction gradateur allant de 0 à 100 % et fonction stroboscope ultrarapide.
- Excellents programmes intégrés donnant lieu à de splendides light shows qui changent sans arrêt :
 - Contrôle via DMX : choix entre 1, 3, 9, ou 28 canaux pour exploiter au mieux les 7 groupes de LED
 - Mode autonome : activation sonore via micro interne
 - Mode maître/esclave : magnifiques shows synchronisés
- En option, une télécommande CA-8 est disponible.
- Entrée/sortie d'alimentation IEC: permet de raccorder jusqu'à 90 appareils les uns derrière les autres en utilisant des câbles IEC (disponibles en option).
- Ecran à 4 chiffres fonctionnant sur base de menus.
- Vous pouvez assembler 4 appareils à l'aide du CPB-4 (support central) optionnel afin d'obtenir un effet LED central super impressionnant !

AVANT UTILISATION

- Avant d'utiliser cet appareil, assurez-vous de l'absence de dommages liés au transport. En cas de dommages, n'utilisez pas l'appareil et contactez le vendeur.
- **Important:** Cet appareil a quitté notre usine en parfaite condition et bien emballé. Il est primordial que l'utilisateur suive les instructions de sécurité et avertissements inclus dans ce manuel. La garantie ne s'applique pas en cas de dommage lié à une utilisation incorrecte. Le vendeur ne prend pas la responsabilité des défauts ou de tout problème résultant du fait de n'avoir pas tenu compte des mises en garde de ce manuel.
- Conservez ce manuel dans un endroit sûr pour toute consultation future. Si vous vendez l'appareil, assurez-vous d'y joindre ce manuel également.
- Afin de protéger l'environnement, merci de recycler les emballages autant que possible.

Vérifiez le contenu:

Vérifiez si l'emballage contient bien les articles suivants:

- Appareil TAURUS
- Mode d'emploi
- Support de fixation
- Câble d'alimentation

INSTRUCTIONS DE SECURITE:



CAUTION
RISK OF ELECTRIC SHOCK
DO NOT OPEN



ATTENTION: afin de réduire le risque d'électrocution, n'enlevez jamais le couvercle de l'appareil. Il n'y a aucune pièce à l'intérieur de l'appareil que vous puissiez remplacer vous-même. Confiez l'entretien uniquement à des techniciens qualifiés.



La flèche dans un triangle met l'utilisateur en garde contre la présence de haute tension sans isolation dans l'appareil, ce qui peut causer un risque d'électrocution.



Un point d'exclamation dans un triangle prévient de la présence d'instructions relatives au fonctionnement et à la maintenance se trouvant dans le manuel fourni avec l'appareil.



Ce symbole signifie: uniquement pour usage à l'intérieur.



Ce symbole signifie : Lire le mode d'emploi.

- Afin de protéger l'environnement, merci de recycler les emballages autant que possible.
- Un effet lumière neuf peut provoquer de la fumée et/ou une odeur non souhaitée, qui devrait disparaître après quelques minutes.
- Afin d'éviter tout risque d'incendie ou de décharge électrique, ne pas exposer cet appareil à la pluie ou à l'humidité.
- Pour éviter la formation de condensation à l'intérieur de l'appareil, patientez quelques minutes pour laisser l'appareil s'adapter à la température ambiante lorsqu'il arrive dans une pièce chauffée après le transport. La condensation empêche l'appareil de fonctionner manière optimale, et elle peut même causer des dommages.
- Cet appareil est destiné à une utilisation à l'intérieur uniquement.
- Ne pas insérer d'objet métallique ou renverser de liquide dans l'appareil. Aucun objet contenant un liquide, tels que des vases, ne peut être placé sur cet appareil. Cela risquerait de provoquer une décharge électrique ou un dysfonctionnement. Si un corps étranger est introduit dans l'appareil, déconnectez immédiatement de la source d'alimentation.
- Aucune source de flamme nue, telle que des bougies allumées, ne peut être placée sur l'appareil.
- Placez l'appareil dans un endroit bien ventilé, éloigné de tout matériau ou liquide inflammable. L'appareil doit être fixé à 50cm minimum des murs.
- Ne pas couvrir les orifices de ventilation, un risque de surchauffe en résulterait.
- Ne pas utiliser l'appareil dans un environnement poussiéreux et le nettoyer régulièrement.
- Ne pas laisser l'appareil à portée des enfants.
- Les personnes non expérimentées ne doivent pas utiliser cet appareil.
- La température ambiante maximale d'utilisation de l'appareil est de 45°C. Ne pas l'utiliser au-delà de cette température.
- Assurez-vous que la zone au-dessous du lieu d'installation ne comporte pas de personnes non concernées pendant le montage, le démontage et les opérations de maintenance.
- Débranchez toujours l'appareil si vous ne l'utilisez pas de manière prolongée avant d'entreprendre des réparations.
- Les installations électriques ne peuvent être faites que par du personnel qualifié et conformément aux règlements de sécurité électrique et mécanique en vigueur dans votre pays.
- Assurez-vous que la tension d'alimentation de la source d'alimentation de la zone dans laquelle vous vous trouvez ne dépasse pas celle indiquée à l'arrière de l'appareil.
- Le cordon d'alimentation doit toujours être en parfait état. Mettez immédiatement l'unité hors tension si le cordon devait être écrasé ou endommagé. Pour éviter tout risque de choc électrique, le cordon doit être remplacé par le constructeur, son agent ou un technicien qualifié.
- Ne laissez jamais le cordon d'alimentation entrer en contact avec d'autres câbles !
- L'appareil doit être à la masse selon les règles de sécurité.
- Ne pas connecter l'unité à un variateur de lumière.
- Utilisez toujours des câbles appropriés et certifiés lorsque vous installez l'appareil.
- Pour éviter toute décharge électrique, ne pas ouvrir l'appareil. Il n'y a pas de pièces pouvant être changées par l'utilisateur à l'intérieur.
- **Ne jamais** réparer ou court-circuiter un fusible. Remplacez **systématiquement** un fusible endommagé par un fusible de même type et ayant les mêmes spécifications électriques !
- En cas de problèmes de fonctionnement sérieux, arrêtez toute utilisation de l'appareil et contactez votre revendeur immédiatement.
- La carrosserie et les lentilles doivent être remplacées si elles sont visiblement endommagées.

- Utilisez l'emballage d'origine si l'appareil doit être transporté.
- Pour des raisons de sécurité, il est interdit d'apporter une quelconque modification à l'unité non spécifiquement autorisée par les parties responsables.

Important: Ne pas utiliser d'effets en présence de personnes souffrant d'épilepsie.

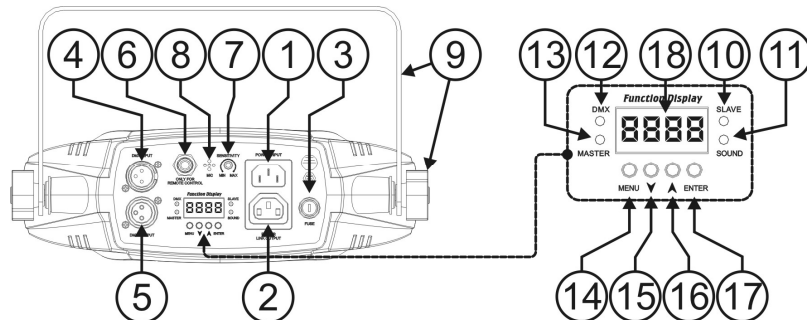
INSTALLATION EN HAUTEUR

- **Important:** L'installation doit être faite par du personnel qualifié uniquement. Une installation incorrecte peut causer des blessures sévères et/ou endommager l'appareil. L'installation en hauteur exige de l'expérience ! Les limites de charge doivent être scrupuleusement respectées, du matériel d'installation certifié doit être utilisé, et l'appareil installé doit subir des inspections de sécurité régulièrement.
- Assurez-vous que la zone au-dessous du lieu d'installation ne comporte pas de personnes non concernées lors de l'installation, la désinstallation ou la maintenance.
- Placez l'appareil dans un endroit bien ventilé, éloigné de tout matériau ou liquide inflammable. L'appareil doit être fixé à **50cm minimum** des murs situés à proximité.
- L'appareil doit être hors de portée du public et en dehors des zones de passage de personnes ou des zones où le public est installé.
- Avant l'installation, assurez-vous que la zone d'installation pourra supporter, en son point de fixation, un minimum de 10 fois le poids de l'appareil.
- Utilisez systématiquement un câble de sécurité qui peut supporter 12 fois le poids de l'appareil lors de l'installation. Ce câble de sécurité secondaire doit être installé de manière à ce qu'aucune partie de l'appareil ne puisse descendre de plus de 20 cm si le support principal tombe.
- L'appareil doit être bien fixé, un montage à balancement est dangereux et ne devrait pas être pris en considération !
- Ne pas couvrir les orifices de ventilation pour éviter tout risque de surchauffe.
- L'utilisateur doit s'assurer que les installations techniques et de sécurité sont bien approuvées par un expert avant la première utilisation. Les installations doivent être inspectées chaque année par du personnel qualifié pour assurer une sécurité optimale.

CRÉATION D'UN EFFET CENTRAL

Vous pouvez créer une fantastique combinaison de 4 TAURUS led à l'aide d'un 'support pour effet central spécial (disponible en option). Ainsi vous obtenez un superbe effet LED Central; un must si vous voulez exhiber un effet original super attractif!

DESCRIPTION



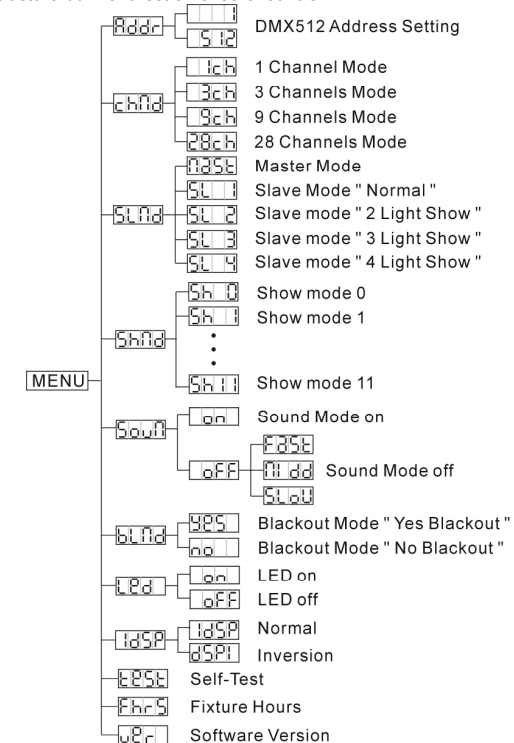
1. Entrée d'alimentation par connecteur IEC. Branchez le câble d'alimentation ici
2. Sortie alimentation secteur via connecteur IEC : on peut utiliser un câble spécial IEC afin de connecter cette sortie avec l'entrée secteur du TAURUS suivant afin de faciliter le chaînage. (max. 90 appareils)
3. Porte fusible
4. Connecteur d'entrée DMX
5. Connecteur de sortie DMX

6. Prise ¼" utilisée pour connecter le contrôleur CA-8 optionnel
7. Contrôle de sensibilité du micro intégré
8. Microphone interne
9. Support de fixation, pourvu de 2 leviers de serrage (un de chaque côté de l'appareil) et d'un trou pouvant recevoir un crochet de fixation.
10. LED 'SLAVE' : elle est allumée quand l'appareil est en mode esclave
11. LED 'SOUND' : elle clignote suivant le rythme de la musique quand l'appareil est en mode audio
12. LED 'DMX' : elle est allumée quand l'appareil reçoit un signal DMX
13. LED 'MASTER' : elle est allumée quand l'appareil est utilisé en tant qu'appareil maître
14. Touche 'MENU' : utilisée pour sélectionner les différents chapitres du menu
15. Touche 'DOWN' : utilisée pour reculer dans le menu et pour diminuer les valeurs affichées par l'écran.
16. Touche 'UP' : utilisée pour avancer dans le menu et pour augmenter les valeurs affichées par l'écran.
17. Touche 'ENTER' : utilisée pour confirmer votre sélection.
18. L'écran montre les différents menus et les fonctions sélectionnées.

COMMENT REGLER L'APPAREIL

MENU PRINCIPAL:

- Pour sélectionner une option du menu, appuyez sur la touche **MENU** jusqu'à ce que la fonction désirée apparaisse à l'écran.
- Sélectionnez la fonction à l'aide de la touche **ENTER**. L'écran clignotera.
- Utilisez les touches **DOWN** et **UP** pour choisir dans le menu l'option désirée.
- Dès que vous avez sélectionné l'option désirée dans le menu, appuyez sur la touche **ENTER** pour confirmer. Après 8 secondes l'écran retournera automatiquement aux fonctions principales sans avoir modifié quoi que ce soit. Pour retourner aux fonctions sans effectuer de changements, appuyez sur la touche **MENU**. La structure du menu est affichée ci-contre.



**Reglage de l'adresse DMX512**

Est utilisé pour régler l'adresse de départ dans une configuration DMX.

- Appuyez sur la touche MENU jusqu'à ce que **Addr** soit affiché à l'écran.
 - Appuyez sur la touche ENTER, l'écran commence à clignoter.
 - Utilisez les touches DOWN et UP pour changer l'adresse DMX512.
 - Quand l'adresse désirée est affichée à l'écran, appuyez sur la touche ENTER pour confirmer votre choix.
(Où il retournera automatiquement aux fonctions principales sans aucune modification après 8 secondes)
- Pour retourner aux fonctions sans effectuer de changements, appuyez à nouveau sur la touche MENU pendant environ 2 secondes.

**Channel Mode (Mode canal)**

- Appuyez sur la touche MENU jusqu'à ce que les lettres **Chnd** soient affichées par l'écran.
- Appuyez sur la touche ENTER, ce qui a pour conséquence que l'écran commence à clignoter.
- Utilisez les touches DOWN et UP pour sélectionner l'un des modes disponibles.
- Une fois que le mode est sélectionné, appuyez sur la touche ENTER pour confirmer (ou vous retournerez vers les fonctions principales si aucune activité n'est détectée par l'appareil pendant 8 secondes).
Pour retourner vers les fonctions sans effectuer de changements, appuyez de nouveau sur la touche MENU pendant environ 2 secondes.

**Mode de fonctionnement**

Utilisé pour mettre l'appareil en mode 'master' (maître) ou 'slave' (esclave).

- Appuyez sur la touche MENU jusqu'à ce que **Slnd** est affiché à l'écran.
 - Appuyez sur la touche ENTER, le mode de fonctionnement en cours commence à clignoter à l'écran.
 - Utilisez les touches DOWN et UP pour sélectionner **MAST** (master), ou un des 4 modes esclave **SL1** → **SL4**.
 - Dès que le mode de fonctionnement est affiché à l'écran, appuyez sur la touche ENTER pour confirmer votre choix.
(Où il retournera automatiquement aux fonctions principales sans aucune modification après 8 secondes)
- Pour retourner aux fonctions sans effectuer de changements, appuyez à nouveau sur la touche MENU pendant environ 2 secondes.

Remarques : Quand on n'utilise qu'un seul appareil, le mode 'master' devrait toujours être sélectionné.

**Show Mode**

Mode utilisé pour sélectionner l'un des shows préprogrammés quand on est en mode 'standalone' (autonome) ou en mode 'master/slave' (maître/esclave).

- Appuyez sur la touche MENU jusqu'à ce que **Shnd** est affiché à l'écran.
 - Appuyez sur la touche ENTER, le show en mémoire commence à clignoter à l'écran.
 - Utilisez les touches DOWN et UP pour sélectionner un des shows préprogrammés, de **SH 0** (tous les shows sont joués en mode aléatoire) à **SH11** (show 11).
 - Un fois que le numéro du show désiré clignote à l'écran, appuyez sur la touche ENTER pour l'enregistrer.
(Où il retournera automatiquement aux fonctions principales sans aucune modification après 8 secondes)
- Pour retourner aux fonctions sans effectuer de changements, appuyez à nouveau sur la touche MENU pendant environ 2 secondes.

**Sound Mode**

Est utilisé pour sélectionner le mode musical qui contrôlera les shows.

- Appuyez sur la touche MENU jusqu'à ce que **Souu** est affiché à l'écran.
- Appuyez sur la touche ENTER, la sélection en mémoire commence à clignoter à l'écran.
- Utilisez les touches DOWN et UP pour sélectionner un des modes disponibles:
 - **On** (mode son activé) → les shows sont pilotés à l'aide du micro intégré.
 - **Off** (mode son désactivé) → les shows sont pilotés par la vitesse des shows sélectionnés
Si vous sélectionnez ce mode, appuyez sur la touche ENTER, puis vous pourrez sélectionner la vitesse du show statique: **F25E** (rapide), **F100** (moyen) ou **SLOW** (lent)
- Quand le mode est sélectionné, appuyez sur la touche ENTER pour confirmer

(Où il retournera automatiquement aux fonctions principales sans aucune modification après 8 secondes)
Pour retourner aux fonctions sans effectuer de changements, appuyez à nouveau sur la touche MENU pendant environ 2 secondes

**Mode Black out**

Black out mode: quand aucun signal DMX est détecté, l'appareil se met en black out.

Mode « pas de black-out »: quand aucun signal DMX n'est détecté, l'appareil se met automatiquement à fonctionner en mode master.

Sélectionnez TOUJOURS "No Blackout" quand l'appareil est utilisé en tant que master (ou en mode maître/esclave) !!!

- Appuyez sur la touche MENU jusqu'à ce que **Blnd** soit affiché à l'écran.
 - Appuyez sur la touche ENTER, la sélection en mémoire commence à clignoter à l'écran.
 - Utilisez les touches DOWN et UP pour sélectionner 'YES' (mode black out) ou 'NO' (mode sans black out).
 - Dès que le mode de fonctionnement est affiché à l'écran, appuyez sur la touche ENTER pour confirmer votre choix.
(Où il retournera automatiquement aux fonctions principales sans aucune modification après 8 secondes)
- Pour retourner aux fonctions sans effectuer de changements, appuyez à nouveau sur la touche MENU pendant environ 2 secondes.

**Led Display**

Display on: l'écran est toujours allumé.

Display off: l'écran est éteint quand il n'est pas utilisé.

- Appuyez sur la touche MENU jusqu'à ce que l'écran affiche **LED**.
 - Appuyez sur la touche ENTER, l'écran commence à clignoter.
 - Utilisez les touches DOWN et UP pour sélectionner **on** (écran toujours allumé) ou **OFF** (écran éteint si pas utilisé).
 - Dès que le mode de fonctionnement est affiché à l'écran, appuyez sur la touche ENTER pour confirmer votre choix.
(Où il retournera automatiquement aux fonctions principales sans aucune modification après 8 secondes)
- Pour retourner aux fonctions sans effectuer de changements, appuyez à nouveau sur la touche MENU pendant environ 2 secondes.

**Inversion Display**

Display normal: possibilité de lire ce qui est affiché à l'écran quand l'appareil est posé par terre.

Display inversion: possibilité de lire ce qui est affiché à l'écran quand l'appareil est suspendu.

- Appuyez sur la touche MENU jusqu'à ce que **Idsp** clignote sur l'écran. (affichage normal)
- Utilisez la touche ENTER pour changer l'affichage **Idsp** (affichage inversé), l'option sera automatiquement enregistrée après 8 secondes. Ou appuyez à nouveau sur la touche ENTER pour retourner à l'affichage normal **Idsp**
Pour retourner vers les fonctions, appuyez sur la touche MENU pendant environ 2 secondes.

**Self-Test**

Effecutez un autotest

- Appuyez sur la touche MENU jusqu'à ce que **E25E** soit affiché à l'écran.
- Appuyez sur la touche ENTER, l'écran commence à clignoter: l'appareil exécute un programme autotest.
Pour retourner vers les fonctions sans effectuer des changements, appuyez sur la touche MENU pendant environ 2 secondes

**Fixture Hours**

Vous communique le nombre d'heures de service de l'appareil.

- Appuyez sur la touche MENU jusqu'à ce que **Fhrs** clignote à l'écran.
- Appuyez sur la touche ENTER pour que l'appareil affiche le nombre d'heures de service à l'écran.
- Pour retourner aux fonctions, appuyez sur la touche MENU pendant environ 2 secondes.



Version du software

Fonction utilisée pour montrer sous quelle version du software fonctionne l'appareil.

- Appuyez sur la touche MENU jusqu'à ce que les lettres **U.E.R.** se mettent à clignoter à l'écran.
- Appuyez sur la touche ENTER pour afficher sous quelle version du software fonctionne l'appareil
- Pour retourner vers les fonctions, appuyez sur la touche MENU pendant environ 2 secondes.

INSTALLATION ELECTRIQUE + ADRESSAGE



Important : L'installation électrique devrait être effectuée uniquement par du personnel qualifié, suivant les normes de sécurité relatives à l'électricité et à la mécanique dans votre pays.

Installation électrique pour 1 appareil en fonctionnement seul:

- Installez simplement le câble secteur. L'appareil commencera à fonctionner immédiatement en mode autonome.

Remarque 1: vous pouvez brancher une commande à distance CA-8 sur l'appareil si vous souhaitez avoir plus de possibilités de contrôle. Référez-vous à la section 'Comment utiliser l'appareil' pour apprendre à effectuer cette procédure correctement.

Remarque 2: s'il n'y a pas de sortie, veuillez vous assurer que l'appareil soit bien réglé en mode 'master' et réglez le mode blackout sur « NO » (se reporter au chapitre précédent).

Installation électrique pour deux ou plusieurs appareils en maître/esclave:

- Branchez de 2 à 16 appareils au maximum ensemble en utilisant des câbles symétriques pour micro de bonne qualité. Mettez le premier appareil de la chaîne en mode 'master', les autres doivent être mis en mode esclave (SL1, SL2, SL3 ou SL4). Se reporter au chapitre précédent pour de plus amples informations.
- Assurez-vous que les appareils sont tous branchés sur le secteur.
- Et c'est terminé!

Remarque: vous pouvez brancher une commande à distance CA-8 sur l'appareil maître (master) si vous souhaitez avoir plus de contrôle sur le fonctionnement maître/esclave.

Installation électrique en mode DMX :

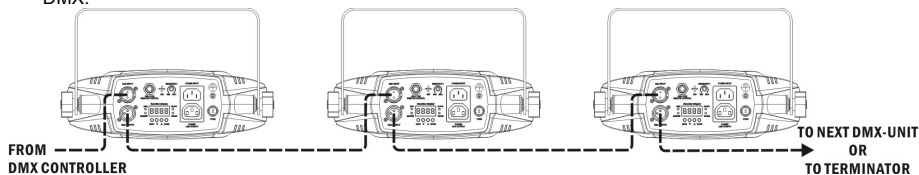
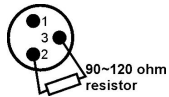
- Le protocole DMX est un signal à haute vitesse très utilisé pour contrôler des équipements lumineux intelligents. Vous devez connecter en guirlande (daisy chaining) votre contrôleur DMX et tous les appareils avec un câble symétrique de bonne qualité.
- Les deux types de connecteurs XLR, ceux à 3 broches comme ceux à 5 broches, peuvent être utilisés ; cependant, les connecteurs à 3 broches se rencontrent plus fréquemment car ils sont compatibles avec les câbles audio symétriques.

Plan de câblage des XLR à 3 broches : Broche 1 = prise de terre ~ broche 2 = signal négatif (-) ~ broche 3 = signal positif (+)

Plan de câblage des XLR à 5 broches : Broche 1 = prise de terre ~ broche 2 = signal négatif (-) ~ broche 3 = signal positif (+) ~ broches 4 et 5 : non utilisées.

- Pour éviter des comportements étranges des effets lumineux dus aux interférences, vous devez utiliser une résistance de bouclage de 90 ohms à 120 ohms en fin de chaîne. Ne jamais utiliser de séparateur de câbles en forme de "Y", cela ne fonctionnera pas !

- Assurez-vous que tous les appareils soient bien connectés au secteur.
- Chaque effet lumineux de la chaîne doit avoir sa propre adresse de départ afin de savoir à quelle commande du contrôleur il doit obéir. Dans le chapitre qui suit, vous apprendrez à régler les adresses DMX.

• **COMMENT REGLER L'ADRESSE DE DEMARRAGE EXACTE:**

Référez-vous au chapitre précédent (réglage de l'adresse DMX-512) pour apprendre à régler l'adresse de départ sur cet appareil. L'adresse de départ de chaque appareil est très importante. Malheureusement il est impossible de vous expliquer dans ce mode d'emploi quel adresse de démarrage vous devez introduire car cela dépend entièrement du contrôleur que vous utiliserez ... veuillez donc vous référer au mode d'emploi de votre contrôleur DMX pour savoir quelle adresse vous devez utiliser.

CONFIGURATION DMX DU TAURUS :

Mode à 1 canal :

Ch1	
Function	
250-255	Random show Fast ⚡⚡⚡
200-249	⚡⚡ ⚡ Slow
15-199	Chase 1-12
0-14	OFF

Modes à 3 canaux :

DMX 512 Configuration				
Ch1	Ch2		Ch3	
Function	Color	Chase	Strobe	Chase Speed
	Ch1= 0-119	Ch1= 120-239	Ch1= 0-119	Ch1= 120-239
240-255 Stand Alone	240-255 Color15 224-239 Color14 208-223 Color13 192-207 Color12 176-191 Color11	250-255 Chase25 240-249 Chase24 230-239 Chase23 220-229 Chase22 210-219 Chase21 200-209 Chase20 190-199 Chase19 180-189 Chase18 170-179 Chase17 160-169 Chase16 150-159 Chase15 140-149 Chase14 130-139 Chase13 120-129 Chase12 110-119 Chase11 100-109 Chase10 090-099 Chase9 080-089 Chase8 070-079 Chase7 060-069 Chase6 050-059 Chase5 040-049 Chase4 030-039 Chase3 020-029 Chase2 010-019 Chase1 000-009 OFF	Fast ⚡⚡⚡ 10-255 ⚡⚡ 10-255 ⚡ Slow 0-9 Open	Fast ↑ 10-255 Slow 0-9 Open
120-239 Chase	160-175 Color10 144-159 Color9 128-143 Color8 112-127 Color7 096-111 Color6 080-095 Color5 064-079 Color4 048-063 Color3 032-047 Color2 016-031 Color1 000-015 OFF			
010-119 Color	096-111 Color6 080-095 Color5 064-079 Color4 048-063 Color3 032-047 Color2 016-031 Color1 000-015 OFF			
000-009 Off	048-063 Color3 032-047 Color2 016-031 Color1 000-015 OFF			

Mode à 9 canaux :

DMX 512 Configuration								
Ch1	Ch2		Ch3		Ch4		Ch5	
Function	Color	Chase	Color	Chase	Color	Chase	Color	Chase
	Ch1= 0-119	Ch1= 120-239	Ch1= 0-119	Ch1= 120-239	Ch1= 0-119	Ch1= 120-239	Ch1= 0-119	Ch1= 120-239
240-255 Stand Alone	240-255 Color15	250-255 Chase25 240-249 Chase24 230-239 Chase23 220-229 Chase22	240-255 Color15	250-255 Chase25 240-249 Chase24 230-239 Chase23 220-229 Chase22	240-255 Color15	250-255 Chase25 240-249 Chase24 230-239 Chase23 220-229 Chase22	240-255 Color15	250-255 Chase25 240-249 Chase24 230-239 Chase23 220-229 Chase22
120-239 Chase	208-223 Color13 192-207 Color12 176-191 Color11 160-175 Color10 144-159 Color9 128-143 Color8 112-127 Color7	200-209 Chase20 190-199 Chase19 180-189 Chase18 170-179 Chase17 160-169 Chase16 150-159 Chase15 140-149 Chase14 130-139 Chase13 120-129 Chase12 110-119 Chase11	208-223 Color13 192-207 Color12 176-191 Color11 160-175 Color10 144-159 Color9 128-143 Color8 112-127 Color7	200-209 Chase20 190-199 Chase19 180-189 Chase18 170-179 Chase17 160-169 Chase16 150-159 Chase15 140-149 Chase14 130-139 Chase13 120-129 Chase12 110-119 Chase11	208-223 Color13 192-207 Color12 176-191 Color11 160-175 Color10 144-159 Color9 128-143 Color8 112-127 Color7	200-209 Chase20 190-199 Chase19 180-189 Chase18 170-179 Chase17 160-169 Chase16 150-159 Chase15 140-149 Chase14 130-139 Chase13 120-129 Chase12 110-119 Chase11	208-223 Color13 192-207 Color12 176-191 Color11 160-175 Color10 144-159 Color9 128-143 Color8 112-127 Color7	200-209 Chase20 190-199 Chase19 180-189 Chase18 170-179 Chase17 160-169 Chase16 150-159 Chase15 140-149 Chase14 130-139 Chase13 120-129 Chase12 110-119 Chase11
000-119 Color	096-111 Color6 080-095 Color5 064-079 Color4 048-063 Color3 032-047 Color2 016-031 Color1 000-015 OFF	090-099 Chase9 080-089 Chase8 070-079 Chase7 060-069 Chase6 050-059 Chase5 040-049 Chase4 030-039 Chase3 020-029 Chase2 010-019 Chase1 000-009 OFF	096-111 Color6 080-095 Color5 064-079 Color4 048-063 Color3 032-047 Color2 016-031 Color1 000-015 OFF	090-099 Chase9 080-089 Chase8 070-079 Chase7 060-069 Chase6 050-059 Chase5 040-049 Chase4 030-039 Chase3 020-029 Chase2 010-019 Chase1 000-009 OFF	096-111 Color6 080-095 Color5 064-079 Color4 048-063 Color3 032-047 Color2 016-031 Color1 000-015 OFF	090-099 Chase9 080-089 Chase8 070-079 Chase7 060-069 Chase6 050-059 Chase5 040-049 Chase4 030-039 Chase3 020-029 Chase2 010-019 Chase1 000-009 OFF	096-111 Color6 080-095 Color5 064-079 Color4 048-063 Color3 032-047 Color2 016-031 Color1 000-015 OFF	090-099 Chase9 080-089 Chase8 070-079 Chase7 060-069 Chase6 050-059 Chase5 040-049 Chase4 030-039 Chase3 020-029 Chase2 010-019 Chase1 000-009 OFF

DMX 512 Configuration							
Ch6		Ch7		Ch8		Ch9	
Color	Chase	Color	Chase	Color	Chase	Strobe	Chase Speed
Ch1= 0-119	Ch1= 120-239	Ch1= 0-119	Ch1= 120-239	Ch1= 0-119	Ch1= 120-239	Ch1= 0-119	Ch1= 120-239
240-255 Color15	250-255 Chase25 240-249 Chase24 230-239 Chase23 220-229 Chase22	240-255 Color15	250-255 Chase25 240-249 Chase24 230-239 Chase23 220-229 Chase22	240-255 Color15	250-255 Chase25 240-249 Chase24 230-239 Chase23 220-229 Chase22	Fast 10-255 Slow	Fast 10-255 Slow
224-239 Color14	210-219 Chase21	224-239 Color14	210-219 Chase21	224-239 Color14	210-219 Chase21	Fast 10-255 Slow	Fast 10-255 Slow
208-223 Color13	200-209 Chase20	208-223 Color13	200-209 Chase20	208-223 Color13	200-209 Chase20	Fast 10-255 Slow	Fast 10-255 Slow
192-207 Color12	190-199 Chase19	192-207 Color12	190-199 Chase19	192-207 Color12	190-199 Chase19	Fast 10-255 Slow	Fast 10-255 Slow
176-191 Color11	180-189 Chase18	176-191 Color11	180-189 Chase18	176-191 Color11	180-189 Chase18	Fast 10-255 Slow	Fast 10-255 Slow
160-175 Color10	170-179 Chase17	160-175 Color10	170-179 Chase17	160-175 Color10	170-179 Chase17	Fast 10-255 Slow	Fast 10-255 Slow
144-159 Color9	160-169 Chase16	144-159 Color9	160-169 Chase16	144-159 Color9	160-169 Chase16	Fast 10-255 Slow	Fast 10-255 Slow
128-143 Color8	150-159 Chase15	128-143 Color8	150-159 Chase15	128-143 Color8	150-159 Chase15	Fast 10-255 Slow	Fast 10-255 Slow
112-127 Color7	140-149 Chase14	112-127 Color7	140-149 Chase14	112-127 Color7	140-149 Chase14	Fast 10-255 Slow	Fast 10-255 Slow
096-111 Color6	130-139 Chase13	096-111 Color6	130-139 Chase13	096-111 Color6	130-139 Chase13	Fast 10-255 Slow	Fast 10-255 Slow
080-095 Color5	120-129 Chase12	080-095 Color5	120-129 Chase12	080-095 Color5	120-129 Chase12	Fast 10-255 Slow	Fast 10-255 Slow
064-079 Color4	110-119 Chase11	064-079 Color4	110-119 Chase11	064-079 Color4	110-119 Chase11	Fast 10-255 Slow	Fast 10-255 Slow
048-063 Color3	100-109 Chase10	048-063 Color3	100-109 Chase10	048-063 Color3	100-109 Chase10	Fast 10-255 Slow	Fast 10-255 Slow
032-047 Color2	090-099 Chase9	032-047 Color2	090-099 Chase9	032-047 Color2	090-099 Chase9	Fast 10-255 Slow	Fast 10-255 Slow
016-031 Color1	080-089 Chase8	016-031 Color1	080-089 Chase8	016-031 Color1	080-089 Chase8	Fast 10-255 Slow	Fast 10-255 Slow
000-015 OFF	070-079 Chase7	000-015 OFF	070-079 Chase7	000-015 OFF	070-079 Chase7	Fast 10-255 Slow	Fast 10-255 Slow
	060-069 Chase6		060-069 Chase6		060-069 Chase6	Fast 10-255 Slow	Fast 10-255 Slow
	050-059 Chase5		050-059 Chase5		050-059 Chase5	Fast 10-255 Slow	Fast 10-255 Slow
	040-049 Chase4		040-049 Chase4		040-049 Chase4	Fast 10-255 Slow	Fast 10-255 Slow
	030-039 Chase3		030-039 Chase3		030-039 Chase3	Fast 10-255 Slow	Fast 10-255 Slow
	020-029 Chase2		020-029 Chase2		020-029 Chase2	Fast 10-255 Slow	Fast 10-255 Slow
	010-019 Chase1		010-019 Chase1		010-019 Chase1	Fast 10-255 Slow	Fast 10-255 Slow
	000-009 OFF		000-009 OFF		000-009 OFF	Fast 10-255 Slow	Fast 10-255 Slow

Mode à 28 canaux :

DMX 512 Configuration									
CH 1	CH 2	CH 3	CH 4	CH 5	CH 6	CH 7	CH 8	CH 9	CH 10
Red	Green	Blue	White	Red	Green	Blue	White	Red	Green
CH 11	CH 12	CH 13	CH 14	CH 15	CH 16	CH 17	CH 18	CH 19	CH 20
Blue	White	Red	Green	Blue	White	Red	Green	Blue	White
CH 21	CH 22	CH 23	CH 24	CH 25	CH 26	CH 27	CH 28		
Red	Green	Blue	White	Red	Green	Blue	White		

COMMENT UTILISER L'APPAREIL

Vous pouvez utiliser l'appareil selon 3 façons:

- o En utilisant les programmes intégrés maître/esclave
- o En utilisant le petit contrôleur
- o En utilisant un contrôleur DMX universel

EN UTILISANT LES PROGRAMMES INTÉGRÉS MAÎTRE/ESCLAVE:

Sélectionnez cette fonction si vous voulez un show instantané. En reliant tous les appareils selon le principe maître/esclave, le premier appareil contrôlera tous les autres appareils en effectuant un show automatique et synchronisé au rythme de la musique. Rien ne sera branché à son entrée DMX et sa LED « master » sera constamment allumée, tandis que la LED « sound » clignotera au rythme de la musique.

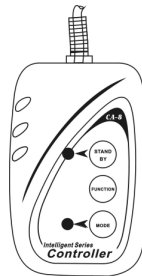
Important ! Cette fonction n'est opérationnelle que quand le mode black out du menu de l'appareil maître est OFF (désactivé), sans quoi, rien ne se passe ! Pour en savoir plus à propos de cette option, se reporter au chapitre 'Comment régler l'appareil'.

- **Le MASTER dispose de 12 shows préprogrammés :** on peut sélectionner du **SH 0** (show 0) au **SH11** (show 11) directement dans le menu de l'appareil maître.
- **Les appareils esclaves possèdent 4 options:** les autres appareils sont réglés en mode esclave (la LED « slave » est constamment allumée). Afin de créer un magnifique show vous pouvez introduire des mouvements contrastés → dans le menu des appareils esclaves vous pouvez aller à l'option **SLnd** et sélectionner:
 - o **SL 1 → Normal slave:** l'appareil esclave fonctionne de façon synchronisée par rapport à l'appareil maître.
 - o **SL 2 → 2 light show:** l'appareil esclave fonctionne de façon synchronisée, mais en opposition par rapport à l'appareil maître.
 - o **SL 3 → 3 light show:** effectuez ce réglage sur le 3^{ème} appareil quand plusieurs appareils sont utilisés.
 - o **SL 4 → 4 light show:** effectuez ce réglage sur le 4^{ème} appareil quand plusieurs appareils sont utilisés.

EN UTILISANT LE CONTRÔLEUR CA-8:

Si vous utilisez l'appareil en mode maître/esclave nous vous recommandons d'utiliser le contrôleur CA-8. Connectez ce petit contrôleur à l'entrée jack 1/4" de l'appareil maître. Ceci vous permettra de contrôler les fonctions suivantes:

Standby	L'appareil est totalement éteint		
Function	1. Strobe 2. Strobe synchro sur la musique 3. Strobe asynchro sur la musique	Selection du Show	Vitesse 1. Rapide 2. Moyen 3. Lent
Mode	(LED éteinte)	(LED allumée)	(LED clignote)



MAINTENANCE

- Assurez-vous que la zone au-dessous du lieu d'installation ne comporte pas de personnes non concernées lors de la maintenance
- Mettez l'appareil hors tension, débranchez le cordon d'alimentation et attendez que l'appareil ait refroidi.

Pendant l'inspection, les points suivants doivent être vérifiés :

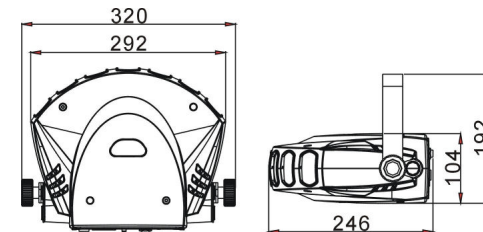
- Toutes les vis utilisées pour l'installation de l'appareil ou de chacune de ses pièces doivent être bien fixées et non corrodées.
- Les niches, fixations et structures de support (plafond, poutres, suspensions) doivent être totalement intactes, sans aucune déformation.
- Lorsqu'une lentille optique est visiblement endommagée (fissure ou éraflures profondes), elle doit être remplacée.
- Les câbles doivent être en parfait état et doivent être remplacés immédiatement en cas de détection d'un problème, même bénin.
- Pour protéger l'appareil de toute surchauffe, les ventilateurs (le cas échéant) et les orifices de ventilation doivent être nettoyés tous les mois.

- L'intérieur de l'appareil doit être nettoyé chaque année à l'aide d'un aspirateur ou d'un pistolet à air.
- Le nettoyage des lentilles optiques internes et externes et/ou des miroirs doit être effectué périodiquement pour optimiser la production de lumière. La fréquence de nettoyage dépend de l'environnement dans lequel l'appareil fonctionne: des environnements humides, enfumés ou particulièrement sales peuvent entraîner une accumulation de saletés plus importante sur les parties optiques de l'appareil.
 - Nettoyez à l'aide d'un chiffon doux avec des produits de nettoyage pour verres normaux.
 - Séchez toujours les parties soigneusement.
 - Nettoyez les optiques externes au moins une fois tous les 30 jours.
 - Nettoyez les optiques internes au moins une fois tous les 90 jours.

Attention: Nous vous recommandons fortement de faire exécuter le nettoyage interne par du personnel qualifié !

SPECIFICATIONS

Alimentation:	CA 100V - 240V, 50Hz/60Hz
Consommation :	12 watts
Capacité Max. d'appareils reliés ensemble par les entrées/sorties IEC:	90pcs
Fusible:	250V T6,3A lente (20mm verre)
Contrôle du son:	microphone interne
Connexions DMX:	connecteurs XLR mâle / femelle à 3 broches
Canaux DMX utilisés :	1/3/9/28 canaux
Ampoules:	84 LEDs (Rouge=21 + Vert=21 + Bleu=21 + Blanc=21)
Dimensions:	246 x 320 x 192 mm
Poids:	2 kg



Chacune de ces informations peut être modifiée sans avertissement préalable. Vous pouvez télécharger la dernière version de ce mode d'emploi de notre site Web: www.beglec.com

GEBRUIKSAANWIJZING

Hartelijk dank voor de aankoop van dit JB Systems® product. Om ten volle te kunnen profiteren van alle mogelijkheden en voor uw eigen veiligheid, gelieve de aanwijzingen zeer zorgvuldig te lezen voor U begint het apparaat te gebruiken.

DOOR U OP ONZE MAILINGLIJST IN TE SCHRIJVEN ONTVANGT U STEEDS DE LAATSTE INFORMATIE OVER ONZE PRODUCTEN: NIEUWIGHEDEN, SPECIALE ACTIES, OPENDEURDAGEN, ENZ.
→ SURF NAAR: WWW.BEGLEC.COM ←

KARAKTERISTIEKEN

In dit apparaat is radio-interferentie onderdrukt. Dit product voldoet aan de gangbare Europese en nationale voorschriften. Het is vastgesteld dat het apparaat er zich aan houdt en de desbetreffende verklaringen en documenten zijn door de fabrikant afgegeven.

- Het toestel is ontworpen om decoratieve lichteffecten te produceren en kan eventueel worden gebruikt in lichtshows.
- Een zeer krachtig en opvallend LED effect.
- Gebaseerd op 7 LED clusters met 84 power LEDs (R=21 + G=21 + B=21 + W=21):
- Extreem heldere kleuren in vergelijking met traditionele halogeenlamp effecten
 - Meer dynamisch dan traditionele halogeenlamp effecten
 - Scherpe witte, blauwe, rode en groene laserachtige lichtstralen
 - Geen lampen te vervangen!
 - Gebruikt LEDs met een extreem lange levensduur!
 - Bijna geen warmteontwikkeling
 - Zeer laag verbruik, slechts 12 Watt!
 - Lichtgewicht (geen zware lamptransformatoren)
- 0-100% dimmer en uiterst snelle strobe functie
- Uitstekende ingebouwde programma's voor prachtige gevarieerde licht shows:
 - DMX-controle: 1, 3, 9 of 28 kanalen voor een volledige controle van de 7 LED clusters
 - Standalone: werkt op het ritme van de muziek dank zij de ingebouwde microfoon
 - Master/slave: prachtige gesynchroniseerde shows
- CA-8 controller verkrijgbaar in optie
- IEC stroom in/uitgangen: u kunt met optionele IEC kabels tot 90 toestellen met elkaar doorverbinden.
- Menu display met 4 digits
- Met behulp van de in optie verkrijgbare CPB-4 (centrale ophangbeugel) kunt u 4 toestellen samen monteren om zo een prachtig en indrukwekkend centraal lichteffect te bekomen!

VOOR DE IN GEBRUIKNAME

Controleer voor het eerste gebruik van het apparaat of het tijdens het transport beschadigd werd. Mocht er schade zijn, gebruik het dan niet, maar raadpleeg eerst uw dealer.

Belangrijk: Dit apparaat verliet de fabriek in uitstekende staat en goed verpakt. Het is erg belangrijk dat de gebruiker de veiligheidsaanwijzingen en raadgevingen in deze gebruiksaanwijzing uiterst nauwkeurig volgt. Elke schade veroorzaakt door verkeerd gebruik van het apparaat valt niet onder de garantie. De dealer aanvaardt geen verantwoordelijkheid voor mankementen en problemen die komen door het veronachtzamen van deze gebruiksaanwijzing.

Bewaar deze brochure op een veilige plaats om hem in de toekomst nogmaals te kunnen raadplegen. Indien U het apparaat verkoopt, denkt U er wel aan om de gebruiksaanwijzing bij te voegen.

Controleer de inhoud:

Controleer of de doos volgende onderdelen bevat:

- Handleiding
- TAURUS
- Ophangbeugel en vijzen
- Voedingskabel

VEILIGHEIDSVOORSCHRIFTEN:



CAUTION
RISK OF ELECTRIC SHOCK
DO NOT OPEN



WAARSCHUWING: Om het risico op elektrocutie zoveel mogelijk te vermijden mag u nooit de behuizing verwijderen. Er bevinden zich geen onderdelen in het toestel die u zelf kan herstellen. Laat de herstellingen enkel uitvoeren door een bevoegde technicus.



De bliksempijl die zich in een gelijkbenige driehoek bevindt is bedoeld om u te wijzen op het gebruik of de aanwezigheid van niet-geïsoleerde onderdelen met een "gevaarlijke spanning" in het toestel die voldoende kracht heeft om een risico van elektrocutie in te houden.



Het uitroepteken binnen de gelijkbenige driehoek is bedoeld om de gebruiker erop te wijzen dat er in de meegeleverde literatuur belangrijke gebruik en onderhoudsinstructies vermeld staan betreffende dit onderdeel.



Dit symbool betekent: het apparaat mag enkel binnenhuis worden gebruikt.



Dit symbool betekent: Lees de handleiding!

- Om het milieu te beschermen, probeer zoveel mogelijk het verpakkingsmateriaal te recyclen.
- Een nieuw lichteffect kan soms ongewenste rook en/of reuk veroorzaken. Dit is normaal en verdwijnt na een paar minuten.
- Stel dit apparaat niet bloot aan regen of vocht, dit om het risico op brand en elektrische schokken te voorkomen.
- Om de vorming van condensatie binnenin te voorkomen, laat het apparaat aan de omgevingstemperatuur wennen wanneer het, na het transport, naar een warm vertrek is overgebracht. Condensatie kan het toestel soms verhinderen perfect te functioneren. Het kan soms zelfs het apparaat beschadigen.
- Gebruik dit apparaat uitsluitend binnenshuis.
- Plaats geen stukken metaal en mors geen vocht binnen in het toestel om elektrische schokken of storing te vermijden. Indien een vreemd voorwerp in het apparaat geraakt, moet U het direct van het lichtnet afkoppelen.
- Plaats de installatie op een plaats met goede ventilatie, ver van brandbare materialen en/of vloeistoffen. De installatie moet op minstens 50 cm van de muren rondom geplaatst worden.
- Bedek geen enkele ventilatieopening om oververhitting te vermijden.
- Zorg dat het toestel niet in een stoffige omgeving wordt gebruikt en maak het regelmatig schoon.
- Houd het apparaat uit de buurt van kinderen.
- Dit apparaat mag niet door onervaren personen bediend worden.
- De maximum veilige omgevingstemperatuur is 40°C. Gebruik het apparaat dus niet bij hogere temperaturen.
- Verzeker er U van dat er zich onder de plaats waar het toestel wordt geïnstalleerd geen ongewenste personen bevinden tijdens het bevestigen en losmaken alsook bij het onderhoud.
- Trek altijd de stekker uit wanneer het apparaat gedurende langere tijd niet wordt gebruikt of alvorens te beginnen met de onderhoudsbeurt.
- De elektrische installatie behoort uitsluitend uitgevoerd te worden door bevoegd personeel, volgens de in uw land geldende regels betreffende elektrische en mechanische veiligheid.
- Controleer dat de beschikbare spanning niet hoger is dan die aangegeven op het toestel.
- De elektrische kabel behoort altijd in uitstekende staat te zijn. Zet het apparaat onmiddellijk af als de elektrische kabel gekneusd of beschadigd is. De kabel moet vervangen worden door de fabrikant zelf, zijn dealer of vergelijkbare bekwame personen om een brand te voorkomen.
- Laat de elektrische draad nooit in contact komen met andere draden.
- Volgens de veiligheidsvoorschriften moet deze installatie geaard worden.
- Sluit het apparaat niet aan op een elektronische dimmer.
- Gebruik altijd een geschikte en gekeurde veiligheidskabel bij het installeren van het toestel.
- Om elektrische schokken te voorkomen, moet U de behuizing niet openen. Er zitten geen onderdelen in het toestel die door de gebruiker moeten worden onderhouden.
- Repareer **nooit** een zekering en overbrug de zekeringhouder nooit. Vervang een beschadigde zekering **steeds** door een zekering van hetzelfde type en met dezelfde elektrische kenmerken.
- Ingeval van ernstige problemen met het bedienen van het toestel, stopt U onmiddellijk het gebruik ervan. Contacteer uw dealer voor een eventuele reparatie.

- De behuizing en de lenzen moeten vervangen worden als ze zichtbaar beschadigd zijn.
- Gebruik best de originele verpakking als het toestel vervoerd moet worden.
- Om veiligheidsredenen is het verboden om modificaties aan het toestel aan te brengen.

Belangrijk: Gebruik het lichteffect niet in de tegenwoordigheid van personen die lijden aan epilepsie.

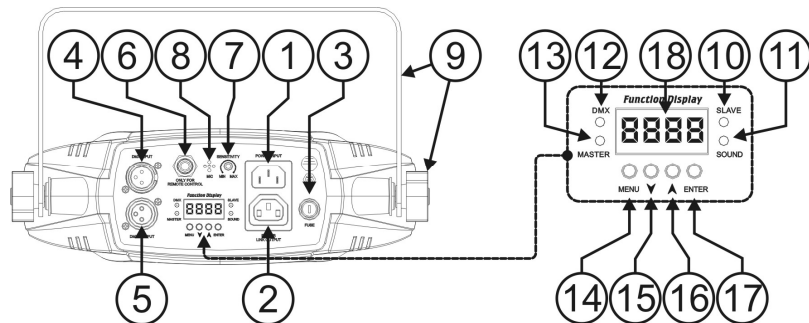
HET APPARAAT OPHANGEN

- **Belangrijk:** De installatie van het toestel mag uitsluitend door bekwaam onderhoudspersoneel uitgevoerd worden. Onjuiste plaatsing kan ernstige letsels en/of schade aan eigendommen tot gevolg hebben. Het ophangen vergt veel ervaring. U behoort de grenzen te respecteren aan de werklust; erkende installeringmaterialen moeten worden gebruikt; de veiligheid van het geïnstalleerde toestel moet regelmatig worden gecontroleerd.
- Overtuig U ervan dat het gebied onder installatieplaats vrij is van ongewenste personen tijdens het plaatsen, het weghalen en het onderhoud.
- Installeer het toestel op een goed geventileerde plaats, ver van brandbare stoffen en/of vloeistoffen. Het toestel moet worden bevestigd op **minstens 50 cm** van de omringende muren.
- Het toestel moet worden geïnstalleerd buiten het bereik van iedereen en weg van plaatsen waar men mag lopen en zitten.
- Alvorens tot plaatsen over te gaan, moet men controleren dat de minimum puntbelasting van de installatieplaats 10 keer het gewicht van het toestel bedraagt.
- Gebruik bij het installeren van het toestel altijd een gewaarmerkte veiligheidskabel die 12 keer het gewicht van het toestel kan dragen. Deze bijkomende veiligheidsbevestiging moet zo worden aangebracht dat geen deel van het toestel meer dan 20 cm vallen kan als de hoofdbeveiliging faalt.
- Het apparaat moet goed worden vastgezet; aan een vrij zwaaiende montage mag zelfs niet gedacht worden.
- Bedek geen ventilatieopeningen, anders zou dit oververhitting tot gevolg kunnen hebben.
- De gebruiker moet er zich van verzekeren dat de installaties met betrekking tot de veiligheid en de technische mechaniek door een expert zijn goedgekeurd alvorens ze voor de eerste keer te gebruiken. Elk jaar moeten de installaties worden gekeurd door een vakman om te controleren of de veiligheid nog steeds perfect is.

MONTAGE VAN EEN CENTRAAL LICHTEFFECT

Met de in optie verkrijgbare CPB-4 beugel voor centraal effect kunt u een fantastische combinatie samenstellen met 4 TAURUS toestellen. Zo bekomt u een fantastisch central LED effect, echt een must indien u een origineel en opvallend effect wenst!

BESCHRIJVING:



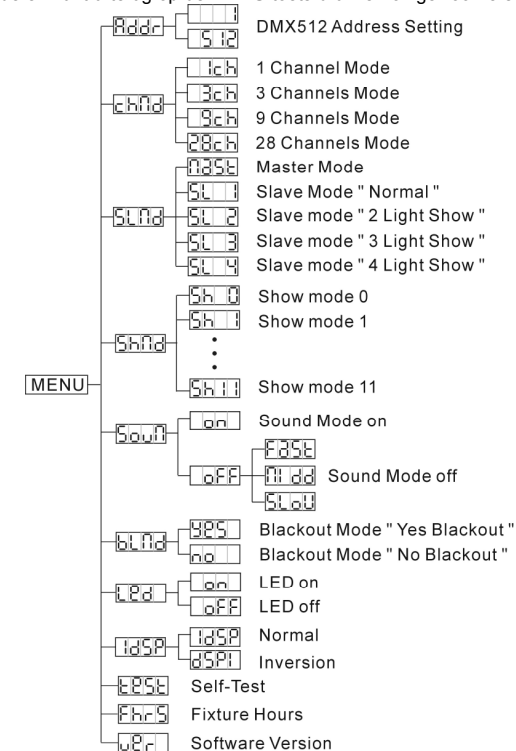
1. Voedingsconnector met IEC stekker. Sluit hier de meegeleverde stroomkabel aan.
2. Voedingsuitgang via IEC stekker: u kunt speciale mannelijke/vrouwelijke IEC voedingskabels gebruiken om deze uitgang met de voedingsingang van de volgende TAURUS te verbinden. Dit maakt het bekabelen veel eenvoudiger. (max 90 toestellen kunnen gelinkt worden)
3. Zekeringhouder

4. DMX ingang
5. DMX uitgang
6. ¼" Jack ingang voor de optionele CA-8 hand controller
7. Regelknop voor de microfoongevoeligheid
8. Ingebouwde microfoon
9. Ophangbeugel met 2 schroefknoppen om het toestel vast te zetten.
10. Slave LED: is aan wanneer het toestel in slave modus staat
11. Sound LED: knippert op het ritme van de muziek wanneer het toestel in audio modus staat
12. DMX LED: is aan wanneer het toestel een DMX-sigitaal ontvangt
13. Master LED: is aan wanneer het toestel ingesteld is als master
14. MENU toets: wordt gebruikt om de verschillende menu's te selecteren
15. DOWN toets: om terug te gaan in het menu en om waarden die in het display worden weergegeven te verlagen.
16. UP toets: om verder te gaan in het menu en om waarden die in het display worden weergegeven te verhogen.
17. ENTER toets: wordt gebruikt om uw keuze te bevestigen.
18. DISPLAY geeft de verschillende menu's en de geselecteerde functies weer.

HOE INSTELLEN:

HOOFDMENU:

- Druk op de **MENU** toets tot het gewenste menu op het scherm verschijnt.
- Selecteer de functie door op de **ENTER** toets te drukken. De display zal beginnen knipperen.
- Gebruik de **DOWN** en **UP** toetsen om de gewenste menu optie te kiezen.
- Druk daarna op de **ENTER** toets om de selectie te bevestigen. Om terug te keren naar de hoofdfuncties zonder iets te veranderen kunt u terug op de **MENU** toets drukken of gewoon 8 seconden wachten.



Addr DMX512 adres instellen

Bepaalt het startadres in de DMX opstelling.

- Druk op de MENU toets tot **Addr** wordt weergegeven op de display.
- Druk op de ENTER toets, de display begint te knipperen.
- Gebruik de DOWN en UP toetsen om het DMX512 adres te veranderen.
- Wanneer het gewenste adres op de display verschijnt moet u dit bevestigen door op de ENTER toets te drukken. (indien u dit niet doet wordt er na 8 seconden terug overgegaan naar het hoofdmenu zonder de veranderingen op te slagen)

U kunt ook terugkeren naar het hoofdmenu zonder iets te wijzigen door terug gedurende ongeveer 2 seconden op de MENU toets te drukken.

Chnd Channel Mode

- Druk op de MENU toets tot **Chnd** wordt weergegeven op de display.
- Druk op de ENTER toets, de display begint te knipperen.
- Gebruik de DOWN en UP toetsen om een van de beschikbare modi te kiezen.
- Druk daarna op de ENTER toets om uw keuze te bevestigen.
- (indien u dit niet doet wordt er na 8 seconden terug overgegaan naar het hoofdmenu zonder de veranderingen op te slagen)

U kunt ook terugkeren naar het hoofdmenu zonder iets te wijzigen door terug gedurende ongeveer 2 seconden op de MENU toets te drukken.

SLnd werkmodus

Om het toestel als master of als slave te laten werken.

- Druk op de MENU toets tot **SLnd** op de display wordt weergegeven.
- Druk op de ENTER toets, de gebruikte modus begint te knipperen op de display
- Gebruik de DOWN en UP toetsen om **MAST** (master) of een van de 4 slave modi te kiezen: **SL 1 → SL 4**.
- Bevestig uw keuze door op de ENTER toets te drukken. (indien u dit niet doet wordt er na 8 seconden terug overgegaan naar het hoofdmenu zonder de veranderingen op te slagen)

U kunt ook terugkeren naar het hoofdmenu zonder iets te wijzigen door terug gedurende ongeveer 2 seconden op de MENU toets te drukken

Opmerkingen: Indien u één enkel toestel gebruikt moet u steeds de 'master' werkmodus kiezen.

Shnd Show Mode

Wordt gebruikt om één van de voorgeprogrammeerde shows te selecteren wanneer het toestel autonoom of in master/slave wordt gebruikt.

- Druk op de MENU toets tot **Shnd** wordt weergegeven op de display.
- Druk op de ENTER toets, de show welke in gebruik is begint te knipperen op de display.
- Gebruik de DOWN en UP toetsen om één van de **voorgeprogrammeerde** shows **SH 0** (alle shows worden uitgevoerd in willekeurige volgorde) tot **SH11** (show 11) te kiezen.
- Wanneer de gewenste show knippert op de display moet u enkel nog op de ENTER toets drukken om uw keuze te bevestigen. (indien u dit niet doet wordt er na 8 seconden terug overgegaan naar het hoofdmenu zonder de veranderingen op te slagen)

U kunt ook terugkeren naar het hoofdmenu zonder iets te wijzigen door terug gedurende ongeveer 2 seconden op de MENU toets te drukken.

Soun Sound Mode

Wordt gebruikt om de gewenste muziekmodus te kiezen welke uw shows zullen aansturen.

- Druk op de MENU toets tot **Soun** wordt weergegeven op de display.
- Druk op de ENTER toets, de display begint te knipperen.
- Gebruik de DOWN en UP toetsen om de beschikbare kanaalmodi te selecteren:
 - **On** (sound modus AAN) → de shows worden aangestuurd door de interne microfoon.
 - **Off** (sound modus UIT) → de shows worden aangestuurd op de snelheid die met de shows geselecteerd werd. Wanneer u deze werkmodus kiest en u op de ENTER toets drukt, dan kunt u de snelheid van de show instellen: **EASE** (snel), **Med** (matig) of **Slow** (traag)

- Eenmaal de werkmodus gekozen is moet u op de ENTER toets drukken om uw keuze te bevestigen. (indien u dit niet doet wordt er na 8 seconden terug overgegaan naar het hoofdmenu zonder de veranderingen op te slagen)

U kunt ook terugkeren naar het hoofdmenu zonder iets te wijzigen door terug gedurende ongeveer 2 seconden op de MENU toets te drukken.

BLnd Blackout Mode

Blackout mode: wanneer er geen DMX-signal gedetecteerd wordt gaat het toestel in blackout.

No blackout mode: wanneer er geen DMX-signal gedetecteerd wordt schakelt het toestel automatisch over naar master mode.

Stel STEEDS "No Blackout" in wanneer het toestel als master (of in master/slave) gebruikt wordt.

- Druk op de MENU toets tot **BLnd** wordt weergegeven op de display.
- Druk op de ENTER toets, de gebruikte functie begint te knipperen op de display.
- Gebruik de DOWN en UP toetsen om **YES** (blackout) of **no** (no blackout) te kiezen.
- Druk daarna op de ENTER toets om uw keuze te bevestigen. (indien u dit niet doet wordt er na 8 seconden terug overgegaan naar het hoofdmenu zonder de veranderingen op te slagen)

U kunt ook terugkeren naar het hoofdmenu zonder iets te wijzigen door terug gedurende ongeveer 2 seconden op de MENU toets te drukken

LEd Led Display

Display on: display is steeds aan.

Display off: display is uit wanneer deze niet wordt gebruikt.

- Druk op de MENU toets tot **LEd** op de display wordt weergegeven.
- Druk op de ENTER toets, de display begint te knipperen.
- Gebruik de DOWN en UP toetsen om **on** (display steeds aan) of **OFF** (display uit wanneer niet in gebruik) te selecteren.
- Druk daarna op de ENTER toets om uw keuze te bevestigen. (indien u dit niet doet wordt er na 8 seconden terug overgegaan naar het hoofdmenu zonder de veranderingen op te slagen)

U kunt ook terugkeren naar het hoofdmenu zonder iets te wijzigen door terug gedurende ongeveer 2 seconden op de MENU toets te drukken.

LDSP Display Inversion

Display normal: display is leesbaar wanneer het toestel op de grond staat.

Display inversion: display is leesbaar wanneer het toestel ondersteboven hangt.

- Druk op de MENU toets tot **LDSP** knippert op de display. (normal display)
- Druk op de ENTER toets om over te schakelen op **dSPi** (display inversion), de handeling wordt automatisch na 8 seconden opgeslagen. Of druk nogmaals op de ENTER toets om naar **LDSP** (normal display) terug te schakelen.

U kunt ook terugkeren naar het hoofdmenu zonder iets te wijzigen door terug gedurende ongeveer 2 seconden op de MENU toets te drukken.

EEST Self-Test

Voer het ingebouwde zelftest programma uit

- Druk op de MENU toets tot **EEST** op de display wordt weergegeven
 - Druk op de ENTER toets, de display begint te knipperen: het toestel begint zijn zelftest programma.
- U kunt ook terugkeren naar het hoofdmenu zonder iets te wijzigen door terug gedurende ongeveer 2 seconden op de MENU toets te drukken.

Fhrs Fixture Hours

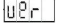
Geeft het aantal gepresteerde werkuren weer.

- Druk op de MENU toets tot **Fhrs** knippert op de display.
- Druk op de ENTER toets om het aantal werkuren te laten verschijnen op de display.
- U kunt ook terugkeren naar het hoofdmenu zonder iets te wijzigen door terug gedurende ongeveer 2 seconden op de MENU toets te drukken.



Software versie:

Geef de softwareversie van het toestel weer.

- Druk op de MENU toets tot  knippert op de display.
- Druk op de ENTER toets om de softwareversie te laten verschijnen.
- U kunt ook terugkeren naar het hoofdmenu zonder iets te wijzigen door terug gedurende ongeveer 2 seconden op de MENU toets te drukken.

ELEKTRISCHE INSTALLATIE + ADRESSERING

Belangrijk: De elektrische installatie zou alleen uitgevoerd moeten worden door een bekwam persoon volgens de voorschriften voor elektrische en mechanische veiligheid in uw land.

Electrishe installatie van 1 standalone toestel:

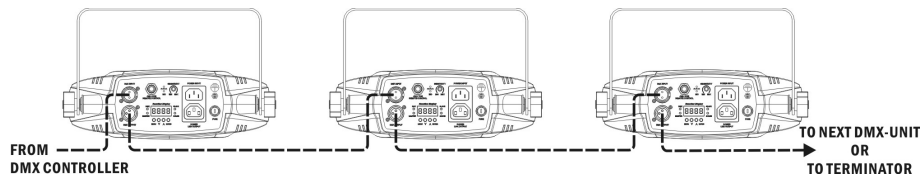
- Verbind gewoon de stroomkabel met het net. Het toestel start onmiddellijk op in stand-alone mode.
- Opmerking1:** u kunt een CA-8 remote controller aansluiten indien u een betere controle over het toestel wilt hebben. Zie "how to operate the unit".
- Opmerking2:** indien er niets gebeurt moet u controleren of het toestel wel degelijk in master mode staat dat de black-out functie op "NO" staat (zie vorig hoofdstuk)

Electrische installatie van 2 of meer toestellen in master/slave:

- Verbind 2 tot maximum 16 toestellen met mekaar door middel van symmetrische microfoonkabels van goede kwaliteit. Zet het eerste toestel in Master Mode, alle andere toestellen moeten in slave mode (SL1, SL2, SL3 of SL4) staan . Zie vorig hoofdstuk voor meer informatie.
- Controleer of alle toestellen op het stroomnet zijn aangesloten.
- Klaar!
- Opmerking:** u kunt een CA-8 remote controller op het 'Master' toestel aansluiten indien u een betere controle over het toestel wenst te hebben.

DMX AANSLUITINGEN

- Het DMX-protocol is een breed gebruikt hogesnelheidssignaal om lichtuitrustingen te bedienen. U moet uw DMX bediening en alle units met een gebalanceerde kabel van goede kwaliteit doorverbinden.
- Zowel de XLR-3pin als XLR-5pin connector worden gebruikt, echter de XLR-3pin is populaider want deze kabels zijn compatibel met gebalanceerde audio kabels.
Pin layout XLR-3pin: Pin1 = GND ~ Pin2 = Negatief signaal (-) ~ Pin3 = Positief signaal (+)
Pin layout XLR-5pin: Pin1 = GND ~ Pin2 = Negatief signaal (-) ~ Pin3 = Positief signaal (+) ~ Pins4+5 niet in gebruik.
- Om vreemd gedrag van de lichteffecten, veroorzaakt door storing, te voorkomen, moet u een afsluitweerstand van 90Ω tot 120Ω aan het eind van de keten gebruiken. Gebruik nooit een Y-splitkabel, dit zal eenvoudig niet werken!
- Weet zeker dat alle units op het lichtnet zijn aangesloten.
- Elk lichteffect in de keten heeft een eigen DMX startadres nodig zodat het weet welke commando's van de bediening het moet ontcijferen. In de volgende sectie zal u leren hoe het DMX adres in te stellen.



HOE HET CORRECTE STARTADRES INSTELLEN:

In vorig hoofdstuk wordt beschreven hoe u het adres op dit toestel moet instellen (DMX-512 adres instellen). Het startadres van elk toestel is zeer belangrijk. Het is echter onmogelijk u mede te delen welk start adres u zou moeten gebruiken omdat dit volledig afhangt van de controller die u gaat gebruiken Gelieve hiervoor de

handleiding van uw DMX-controller te raadplegen.

DMX-CONFIGURATIE VAN DE TAURUS:

• **1 KANAALS MODUS:**

Ch1	
Function	
250-255	Random show Fast
200-249	Slow
15-199	Chase 1-12
0-14	OFF

• **3 KANAALS MODUS:**

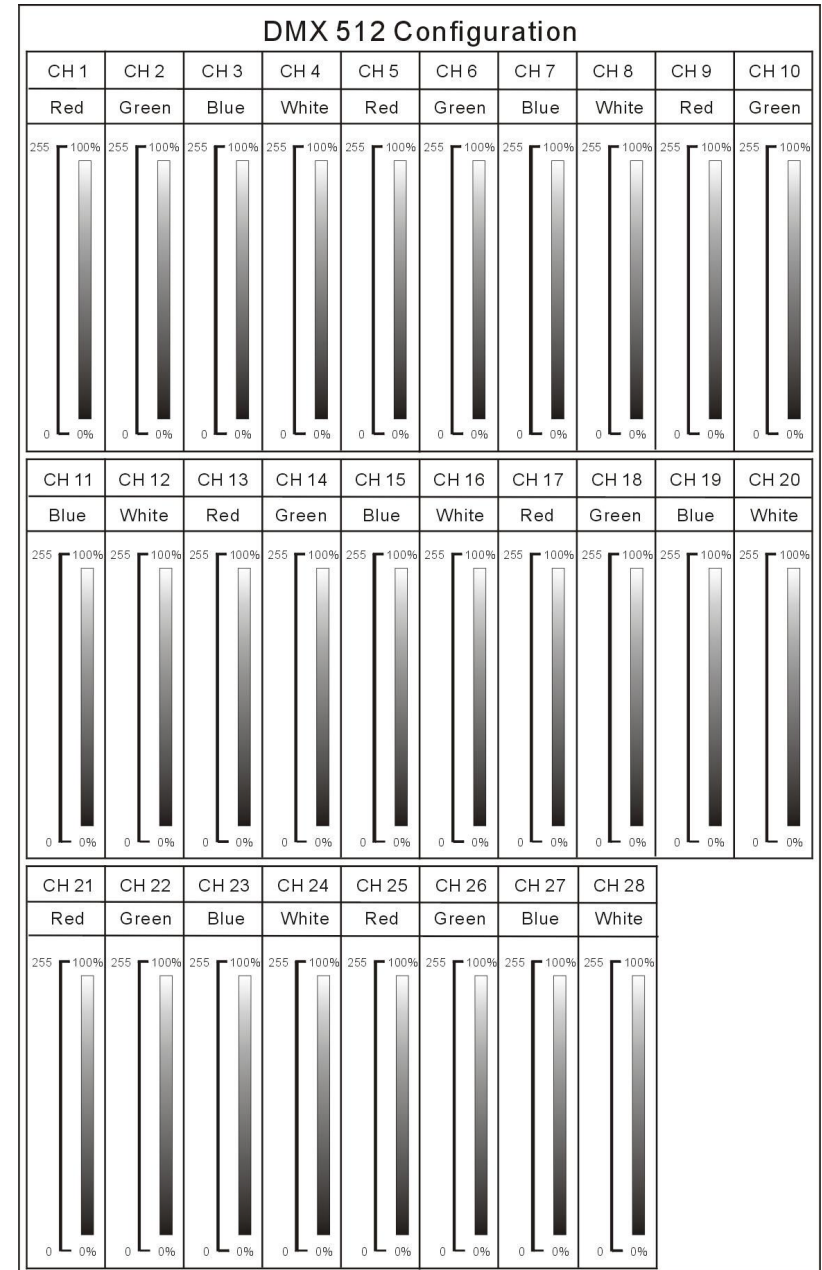
DMX 512 Configuration				
Ch1	Ch2		Ch3	
Function	Color	Chase	Strobe	Chase Speed
	Ch1= 0-119	Ch1= 120-239	Ch1= 0-119	Ch1= 120-239
240-255 Stand Alone	240-255 Color15 224-239 Color14 208-223 Color13 192-207 Color12	250-255 Chase25 240-249 Chase24 230-239 Chase23 220-229 Chase22 210-219 Chase21 200-209 Chase20 190-199 Chase19 180-189 Chase18	Fast	Fast
120-239 Chase	176-191 Color11 160-175 Color10 144-159 Color9	170-179 Chase17 160-169 Chase16 150-159 Chase15 140-149 Chase14 130-139 Chase13	10-255	10-255
010-119 Color	128-143 Color8 112-127 Color7 096-111 Color6	120-129 Chase12 110-119 Chase11 100-109 Chase10 090-099 Chase9	Slow	Slow
000-009 Off	080-095 Color5 064-079 Color4 048-063 Color3 032-047 Color2 016-031 Color1 000-015 OFF	080-089 Chase8 070-079 Chase7 060-069 Chase6 050-059 Chase5 040-049 Chase4 030-039 Chase3 020-029 Chase2 010-019 Chase1 000-009 OFF	0-9 Open	0-9 Open

• 9 KANAALS MODUS:

DMX 512 Configuration								
Ch1	Ch2		Ch3		Ch4		Ch5	
Function	Color	Chase	Color	Chase	Color	Chase	Color	Chase
	Ch1= 0-119	Ch1= 120-239	Ch1= 0-119	Ch1= 120-239	Ch1= 0-119	Ch1= 120-239	Ch1= 0-119	Ch1= 120-239
240-255 Stand Alone	240-255 Color15 224-239 Color14 208-223 Color13 192-207 Color12 176-191 Color11 160-175 Color10	250-255 Chase25 240-249 Chase24 230-239 Chase23 220-229 Chase22 210-219 Chase21 200-209 Chase20 190-199 Chase19 180-189 Chase18 170-179 Chase17 160-169 Chase16	240-255 Color15 224-239 Color14 208-223 Color13 192-207 Color12 176-191 Color11 160-175 Color10	250-255 Chase25 240-249 Chase24 230-239 Chase23 220-229 Chase22 210-219 Chase21 200-209 Chase20 190-199 Chase19 180-189 Chase18 170-179 Chase17 160-169 Chase16	240-255 Color15 224-239 Color14 208-223 Color13 192-207 Color12 176-191 Color11 160-175 Color10	250-255 Chase25 240-249 Chase24 230-239 Chase23 220-229 Chase22 210-219 Chase21 200-209 Chase20 190-199 Chase19 180-189 Chase18 170-179 Chase17 160-169 Chase16	240-255 Color15 224-239 Color14 208-223 Color13 192-207 Color12 176-191 Color11 160-175 Color10	250-255 Chase25 240-249 Chase24 230-239 Chase23 220-229 Chase22 210-219 Chase21 200-209 Chase20 190-199 Chase19 180-189 Chase18 170-179 Chase17 160-169 Chase16
120-239 Chase	144-159 Color9 128-143 Color8 112-127 Color7 096-111 Color6 080-095 Color5 064-079 Color4 048-063 Color3 032-047 Color2 016-031 Color1 000-015 OFF	140-149 Chase14 130-139 Chase13 120-129 Chase12 110-119 Chase11 100-109 Chase10 090-099 Chase9 080-089 Chase8 070-079 Chase7 060-069 Chase6 050-059 Chase5 040-049 Chase4 030-039 Chase3 020-029 Chase2 010-019 Chase1 000-009 OFF	144-159 Color9 128-143 Color8 112-127 Color7 096-111 Color6 080-095 Color5 064-079 Color4 048-063 Color3 032-047 Color2 016-031 Color1 000-015 OFF	140-149 Chase14 130-139 Chase13 120-129 Chase12 110-119 Chase11 100-109 Chase10 090-099 Chase9 080-089 Chase8 070-079 Chase7 060-069 Chase6 050-059 Chase5 040-049 Chase4 030-039 Chase3 020-029 Chase2 010-019 Chase1 000-009 OFF	144-159 Color9 128-143 Color8 112-127 Color7 096-111 Color6 080-095 Color5 064-079 Color4 048-063 Color3 032-047 Color2 016-031 Color1 000-015 OFF	140-149 Chase14 130-139 Chase13 120-129 Chase12 110-119 Chase11 100-109 Chase10 090-099 Chase9 080-089 Chase8 070-079 Chase7 060-069 Chase6 050-059 Chase5 040-049 Chase4 030-039 Chase3 020-029 Chase2 010-019 Chase1 000-009 OFF	144-159 Color9 128-143 Color8 112-127 Color7 096-111 Color6 080-095 Color5 064-079 Color4 048-063 Color3 032-047 Color2 016-031 Color1 000-015 OFF	140-149 Chase14 130-139 Chase13 120-129 Chase12 110-119 Chase11 100-109 Chase10 090-099 Chase9 080-089 Chase8 070-079 Chase7 060-069 Chase6 050-059 Chase5 040-049 Chase4 030-039 Chase3 020-029 Chase2 010-019 Chase1 000-009 OFF
000-119 Color	080-095 Color5 064-079 Color4 048-063 Color3 032-047 Color2 016-031 Color1 000-015 OFF	090-099 Chase9 080-089 Chase8 070-079 Chase7 060-069 Chase6 050-059 Chase5 040-049 Chase4 030-039 Chase3 020-029 Chase2 010-019 Chase1 000-009 OFF	080-095 Color5 064-079 Color4 048-063 Color3 032-047 Color2 016-031 Color1 000-015 OFF	090-099 Chase9 080-089 Chase8 070-079 Chase7 060-069 Chase6 050-059 Chase5 040-049 Chase4 030-039 Chase3 020-029 Chase2 010-019 Chase1 000-009 OFF	080-095 Color5 064-079 Color4 048-063 Color3 032-047 Color2 016-031 Color1 000-015 OFF	090-099 Chase9 080-089 Chase8 070-079 Chase7 060-069 Chase6 050-059 Chase5 040-049 Chase4 030-039 Chase3 020-029 Chase2 010-019 Chase1 000-009 OFF	080-095 Color5 064-079 Color4 048-063 Color3 032-047 Color2 016-031 Color1 000-015 OFF	090-099 Chase9 080-089 Chase8 070-079 Chase7 060-069 Chase6 050-059 Chase5 040-049 Chase4 030-039 Chase3 020-029 Chase2 010-019 Chase1 000-009 OFF

DMX 512 Configuration							
Ch6		Ch7		Ch8		Ch9	
Color	Chase	Color	Chase	Color	Chase	Strobe	Chase Speed
Ch1= 0-119	Ch1= 120-239	Ch1= 0-119	Ch1= 120-239	Ch1= 0-119	Ch1= 120-239	Ch1= 0-119	Ch1= 120-239
240-255 Color15 224-239 Color14 208-223 Color13 192-207 Color12 176-191 Color11 160-175 Color10 144-159 Color9 128-143 Color8 112-127 Color7 096-111 Color6 080-095 Color5 064-079 Color4 048-063 Color3 032-047 Color2 016-031 Color1 000-015 OFF	250-255 Chase25 240-249 Chase24 230-239 Chase23 220-229 Chase22 210-219 Chase21 200-209 Chase20 190-199 Chase19 180-189 Chase18 170-179 Chase17 160-169 Chase16 150-159 Chase15 140-149 Chase14 130-139 Chase13 120-129 Chase12 110-119 Chase11 100-109 Chase10 090-099 Chase9 080-089 Chase8 070-079 Chase7 060-069 Chase6 050-059 Chase5 040-049 Chase4 030-039 Chase3 020-029 Chase2 010-019 Chase1 000-009 OFF	240-255 Color15 224-239 Color14 208-223 Color13 192-207 Color12 176-191 Color11 160-175 Color10	250-255 Chase25 240-249 Chase24 230-239 Chase23 220-229 Chase22 210-219 Chase21 200-209 Chase20 190-199 Chase19 180-189 Chase18 170-179 Chase17 160-169 Chase16 150-159 Chase15	240-255 Color15 224-239 Color14 208-223 Color13 192-207 Color12 176-191 Color11 160-175 Color10	250-255 Chase25 240-249 Chase24 230-239 Chase23 220-229 Chase22 210-219 Chase21 200-209 Chase20 190-199 Chase19 180-189 Chase18 170-179 Chase17 160-169 Chase16 150-159 Chase15	Fast 10-255 Slow 0-9 Open	Fast 10-255 Slow 0-9 Open

• 28 KANAALS MODUS:



BEDIENING VAN HET TOESTEL

U KUNT HET TOESTEL OP 3 MANIEREN GEBRUIKEN:

- o Via de master/slave functie en ingebouwde programma's
- o Met de CA-8 easy controller
- o Met een universele DMX controller

VIA DE MASTER/SLAVE FUNCTIE EN INGEBOUWDE PROGRAMMA'S:

selecteer deze functie indien u onmiddellijk wil van start gaan met een kant en klare show. Door de toestellen als master/slave met mekaar te verbinden zal het eerste toestel alle andere toestellen controleren en bekomt u alzo een automatische, gesynchroniseerde lichtshow op het ritme van de muziek. Op de DMX ingang van het 'master' toestel mag niets aangesloten worden, de master led is continu aan en de Sound led knippert op het ritme van de muziek.

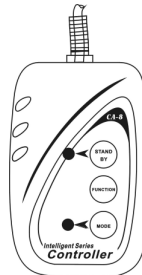
Belangrijk! Deze functie werkt alleen wanneer de blackout mode in the menu van de 'master' uit staat (OFF), anders zal er niets gebeuren! Lees meer over deze optie in de paragraaf "hoe instellen".

- o **De MASTER heeft 12 ingebouwde shows:** U kunt van |5H 0 (show 0) tot |5H 11 (show 11) kiezen in het menu van het master toestel.
- o **SLAVES hebben 4 werkopties:** Deze toestellen staan in slave mode (slave-LED is continu aan). Om een mooiere lichtshow te creëren kunt u gecontrasteerde bewegingen invoegen → In het menu van de slave units kunt u naar de optie **SL 1** gaan. Kies hier:
 - o **SL 1 → Normal slave:** slave werkt synchroon met de master.
 - o **SL 2 → 2 light show:** slave werkt in contrast met de master.
 - o **SL 3 → 3 light show:** stel dit in op toestel 3 wanneer verschillende toestellen gebruikt worden.
 - o **SL 4 → 4 light show:** stel dit in op toestel 4 wanneer verschillende toestellen gebruikt worden.

MET DE EASY CONTROLLER:

Voor de Master/slave werkmodus raden wij u ten sterkste aan de CA-8 "Easy controller" te gebruiken. Verbind deze kleine controller met de 1/4" jack aansluiting van het 'master' toestel. Zo heeft u de volledige controle over volgende **FUNCTIES:**

Standby	Blackout the unit		
Function	1. Strobe 2. Sound synchronous strobe 3. Sound asynchronous strobe	Showkeuze	Snelheid 1. Snel 2. Normaal 3. Traag
Mode	(LED UIT)	(LED AAN)	(LED flitst)



ONDERHOUD

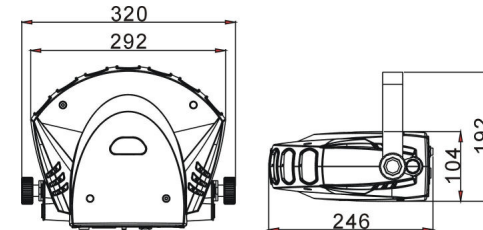
- o Overtuig U ervan dat het gebied onder de installatieplaats vrij is van ongewenste personen tijdens het onderhoud.
- o Zet het toestel uit, trek de netstekker uit het stopcontact en wacht tot het toestel is afgekoeld.
- o **Bij inspectie moeten de volgende punten worden gecontroleerd.**
- o Alle schroeven gebruikt om het te toestel te installeren en al zijn onderdelen moeten goed vastgedraaid zijn en mogen niet verroest zijn.
- o Behuizingen, vastzetstukken, installeringplaatsen (plafond, spanten, schokbrekers) mogen absoluut niet verwrongen zijn.
- o Wanneer een optische lens klaarblijkelijk beschadigd is door barsten of diepe krassen, dan moet deze vervangen worden.
- o De stroomkabels moeten in perfecte staat zijn en behoren vervangen te worden, wanneer er zelfs maar een klein probleem ontdekt werd.
- o Om het toestel tegen oververhitting te beschermen, behoren de ventilatoren (als die er zijn) en de ventilatieopeningen elke maand gereinigd te worden.

- o De binnenkant van het toestel behoort elk jaar gereinigd te worden met een stofzuiger of een luchtspuit.
- o Het schoonmaken van inwendige en uitwendige optische lenzen en/of spiegels moet regelmatig worden uitgevoerd om een zo goed mogelijke lichtuitstraling te verkrijgen. Hoe vaak ze schoon moeten worden gemaakt hangt af van de omgeving waar het toestel wordt gebruikt: een klamme, rokerige of bijzonder vuile omgeving kan een grotere opeenhoping van vuil veroorzaken op de optische uitrusting.
 - o Reinig met een zachte doek en gebruik normale glasreinigende producten.
 - o Droog de onderdelen altijd zorgvuldig af,
 - o Reinig de uitwendige optische uitrusting minstens één keer per maand.
 - o Reinig de inwendige optische uitrusting minstens om de 3 maanden.

Let op: We bevelen sterk aan dat het schoonmaken van de binnenkant wordt uitgevoerd door vakbekwaam personeel!!

TECHNISCHE KENMERKEN

Netvoeding:	AC 100V - 240V, 50Hz/60Hz
Stroomverbruik:	12 Watt
Max. aantal toestellen die via de IEC in/uitgangen kunnen aangesloten worden:	90stuks
Zekering:	250 V/ T6,3A trage zekering (20 mm)
Geluidscontrole:	Ingebouwde microfoon
DMX verbinding:	3 pins XLR mannelijk/ vrouwelijk
Aantal DMX kanalen:	1/3/9/28 kanalen
Lamp:	84 LEDs (R=21 + G=21 + B=21 + W=21)
Afmetingen:	246 x 320 x 192 mm
Gewicht:	2 kg



Elke inlichting kan veranderen zonder waarschuwing vooraf
U kan de laatste versie van deze handleiding downloaden via Onze website: www.beglec.com

BEDIENUNGSANLEITUNG

Vielen Dank, dass Sie sich für den Erwerb dieses JBSystems®-Produkt entschieden haben. Bitte lesen Sie diese Bedienungsanleitung sorgfältig vor der Inbetriebnahme durch, zur vollen Ausschöpfung der Möglichkeiten, die dieses Gerät bietet, sowie zu Ihrer eigenen Sicherheit.

EIGENSCHAFTEN

Das Gerät ist funktentstört und erfüllt die Anforderungen der europäischen und nationalen Bestimmungen. Entsprechende Dokumentation liegt beim Hersteller vor.

- Das Gerät ist zur Erzeugung von dekorativem Licht sowie zur Verwendung in Lightshows bestimmt.
- Ein sehr beeindruckender und auffälliger LED-Effekt.
- Bestehend aus 7 LED-Cluster mit 84 kraftvollen LEDs (Rot=21 + Grün=21 + Blau=21 + Weiss=21):
 - Extrem leuchtende Farben verglichen mit der Wirkung von Halogenlampen
 - Dynamischere Effekte verglichen mit der Wirkung von Halogenlampen
 - Sehr scharfe weiße, blaue, rote und grüne laserartige Strahlen
 - Kein Austausch von Lampen erforderlich!
 - Verwendet LEDs mit extrem langer Lebensdauer!
 - Praktisch keine Wärmeentwicklung
 - Sehr geringe Leistungsaufnahme: 12 Watt!
 - Leichtgewichtig (keine Lampentrafos erforderlich)
- 0-100% Dimmer und ultra schnelle Strobefunktion
- Hervorragende voreingestellte Programme für wunderschöne, abwechslungsreiche Lightshows:
 - DMX-Steuerung: wählbare 1, 3, 9 oder 28 Kanäle für Vollsteuerung der 7 LED-Cluster
 - Standalone: Musikgesteuert mit eingebautem Mikro
 - Master/Slave: wunderschöne synchronisierte Shows
- Wahlweise CA-8 Fernsteuerung erhältlich
- IEC Power Ein- und Ausgänge: Einfaches durchschleifen von bis zu 90 Geräten, nutzen sie hierfür das optionale IEC Kabel.
- 4-stelliges menügesteuertes Display
- Mit der optionalen CPB-4 (Centerpiece Halterung) können 4 Geräte zusammen montiert werden und erzeugen dadurch einen tollen und ausergewöhnlichen LED Center Effekt!

VOR DER ERSTBENUTZUNG

- Vor der Erstbenutzung bitte das Gerät zuerst auf Transportschäden überprüfen. Sollte das Gerät einen Schaden aufweisen, Gerät bitte nicht benutzen, sondern setzen Sie sich unverzüglich mit Ihrem Händler in Verbindung.
- **Wichtiger Hinweis:** Das Gerät hat das Werk unbeschädigt und gut verpackt verlassen. Es ist wichtig, dass der Benutzer sich streng an die Sicherheitshinweise und Warnungen in der Bedienungsanleitung hält. Schäden durch unsachgemäße Handhabung sind von der Garantie ausgeschlossen. Der Händler übernimmt keine Verantwortung für Schäden, die durch Nichtbeachtung der Bedienungsanleitung hervorgerufen wurden.
- Die Bedienungsanleitung zum zukünftigen Nachschlagen bitte aufbewahren. Bei Verkauf oder sonstiger Weitergabe des Geräts bitte Bedienungsanleitung beifügen.

Packungsinhalt prüfen:

Bitte überprüfen Sie, dass die Packung folgende Einzelteile enthält:

- Bedienungsanleitung
- TAURUS
- Befestigungsunterlage
- Netzkabel

SICHERHEITSHINWEISE



CAUTION
RISK OF ELECTRIC SHOCK
DO NOT OPEN



ACHTUNG: Um sich nicht der Gefahr eines elektrischen Schlags auszusetzen, entfernen Sie keines der Gehäuseteile. Im Geräteinneren befinden sich keine vom Benutzer reparierbaren Teile. Überlassen Sie Reparaturen dem qualifizierten Kundendienst.



Das Blitzsymbol im Dreieck weist den Benutzer darauf hin, dass eine Berührungsgefahr mit nicht isolierten Teilen im Geräteinneren, die eine gefährliche Spannung führen, besteht. Die Spannung ist so hoch, dass hier die Gefahr eines elektrischen Schlages besteht.



Das Ausrufezeichen im Dreieck weist den Benutzer auf wichtige Bedienungs- und Wartungshinweise in den Dokumenten hin, die dem Gerät beiliegen.



Dieses Symbol bedeutet: Nur innerhalb von Räumen verwenden.

Dieses Symbol bedeutet: Achtung! Bedienungsanleitung lesen!

- Aus Umweltschutzgründen Verpackung bitte wiederverwenden oder richtig trennen.
- Ein neues Gerät kann Geruch oder Rauch entwickeln. Das ist völlig normal und legt sich nach einigen Minuten.
- Zur Vermeidung von Stromschlag oder Feuer, Gerät bitte nicht Regen oder Feuchtigkeit aussetzen.
- Zur Vermeidung von Kondensation im Inneren des Geräts bitte nach dem Transport in eine warme Umgebung einige Zeit zum Temperatúrausgleich ausgeschaltet stehen lassen. Kondensation kann zu Leistungsverlust des Geräts oder gar Beschädigung führen.
- Gerät nicht im Freien und in feuchten Räumen und Umgebungen verwenden.
- Keine Metallgegenstände oder Flüssigkeiten ins Innere des Geräts gelangen lassen, Kurzschluss oder Fehlfunktion können die Folge sein. Falls es doch einmal vorkommen sollte, bitte sofort Netzstecker ziehen und vom Stromkreis trennen.
- Gerät nur in gut belüfteter Position und entfernt von entflammaren Materialien oder Flüssigkeiten betreiben. Mindestabstand an allen Seiten soll mindestens 50 cm betragen.
- Ventilationsöffnungen nicht abdecken, da Überhitzungsgefahr!
- Nicht in staubiger Umgebung verwenden und regelmäßig reinigen.
- Für Kinder unerreichbar aufbewahren.
- Unerfahrene Personen sollen das Gerät nicht bedienen.
- Umgebungstemperatur darf 40°C nicht überschreiten.
- Sicherstellen, dass sich während des Auf- und Abbaus keine unbefugten Personen unterhalb des Geräts befinden.
- Stets Netzstecker ziehen, wenn Gerät für längeren Zeitraum nicht genutzt oder es gewartet wird.
- Elektrische Anschlüsse nur durch qualifiziertes Fachpersonal überprüfen lassen.
- Sicherstellen, dass Netzspannung mit Geräteaufkleber übereinstimmt.
- Gerät nicht mit beschädigtem Netzkabel betreiben. Ist die Zugangsleitung beschädigt, muss diese durch den Hersteller, seinen Vertrieb oder durch eine qualifizierte Person ersetzt werden.
- Netzkabel nicht mit anderen Kabeln in Berührung kommen lassen!
- Zur Einhaltung der Sicherheitsbestimmungen muss das Gerät geerdet sein.
- Gerät nicht an einen Dimmer anschließen.
- Ausschließlich vorschriftsmäßige Kabel zur Installation verwenden.
- Gerät nicht öffnen. Es gibt keine zu wartenden Bauteile im Gerät enthalten.
- Sicherung niemals reparieren oder überbrücken, sondern immer durch gleichartige Sicherung ersetzen!
- Bei Fehlfunktion Gerät nicht benutzen und sich mit Händler in Verbindung setzen.
- Bei sichtbaren Beschädigungen müssen Gehäuse und Optik ersetzt werden.
- Bei Transport bitte Originalverpackung verwenden, um Schäden am Gerät zu vermeiden.
- Aus Sicherheitsgründen dürfen an dem Gerät keine unbefugten Veränderungen vorgenommen werden.

Wichtiger Hinweis: Gerät nicht verwenden, wenn sich Personen im Raum befinden, die unter Epilepsie leiden.

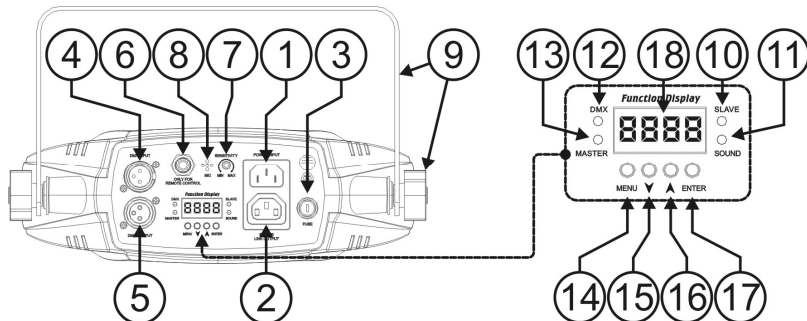
ÜBERKOPF-MONTAGE

- **Wichtig:** Montage ausschließlich durch qualifiziertes Fachpersonal durchführen lassen. Unvorschriftsmäßiger Einbau kann erhebliche Verletzungen und/oder Schäden verursachen. Überkopf-Montage verlangt entsprechende Erfahrung! Belastungsgrenzen müssen beachtet werden, geeignetes Installationsmaterial muss verwendet werden und das installierte Gerät muss in regelmäßigen Abständen überprüft werden.
- Sicherstellen, dass sich keine unbefugten Personen unterhalb des Geräts befinden, während es installiert oder gewartet wird.
- Gerät in gut belüfteter Position installieren, weit entfernt von entflammaren Materialien und/oder Flüssigkeiten. Einen Seitenabstand von mindestens 50cm einhalten.
- Gerät außerhalb der Reichweite von Personen und nicht in niedrigen Durchgängen oder in der Nähe von Sitzgelegenheiten installieren.
- Vor Montage sicherstellen, dass die gewählte Position wenigstens das 10-fache Gerätegewicht aufnehmen kann.
- Zur Aufhängung stets geeignetes Befestigungsmaterial verwenden, das das 12-fache Gerätegewicht aushalten kann. Eine zweite Sicherungsaufhängung muss angebracht werden, die ein Absacken des Geräts von mehr als 20 cm verhindert, sollte die Befestigung brechen.
- Gerät gut befestigen. Eine freischwingende Aufhängung ist gefährlich und sollte auf gar keinen Fall in Betracht gezogen werden!
- Ventilationsöffnungen nicht abdecken, da Überhitzungsgefahr!
- Betreiber muss sicherstellen, dass die sicherheitsrelevanten und technischen Installationen vor Erstbetrieb fachmännisch vorgenommen worden sind.
- Installationen sollten jährlich durch qualifiziertes Fachpersonal inspiziert werden, um jederzeit einen sicheren Betrieb zu gewährleisten.

HERSTELLEN EINES CENTER EFFEKTES

Mit der optional erhältlichen CPB-4 "Centerpiece Halterung" können sie eine phantastische Kombination von 4 TAURUS LED bauen. Als Ergebnis erhalten sie einen tollen LED Center Effekt!

BESCHREIBUNG



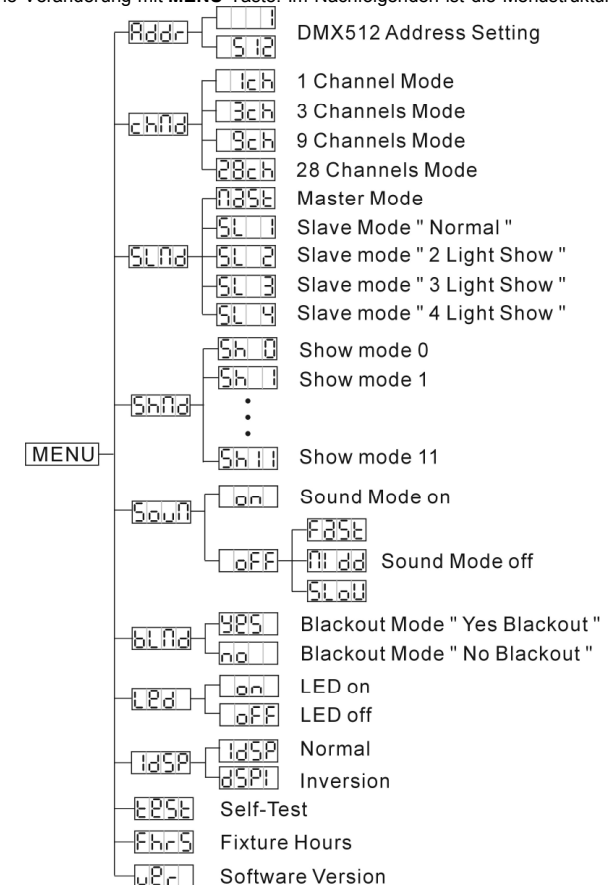
1. Netzanschluss mit IEC Buchse zum Anschluss an die Steckdose.
2. Netzausgang mit IEC-Anschlussdose: Sie können ein spezielles IEC Stromkabel benutzen, um diesen Ausgang einfacher mit dem Netzeingang des folgenden TAURUS zu verbinden (max 90 Geräte können sie verbinden)
3. Sicherungsfassung
4. DMX-Eingangsstecker
5. DMX-Ausgangsstecker
6. 1/4 " Buchse zum Anschluss eines optionalen CA-8-Controllers
7. Musik Empfindlichkeitsregler
8. Eingebautes Mikrofon
9. Halter mit zwei Schrauben auf jeder Seite und einem Montierloch um das Gerät in eine Montagevorrichtung zu bringen.

10. Slave LED: leuchtet auf, wenn das Gerät im Slave-Modus ist
11. Sound LED: blinkt im Takt der Musik wenn das Gerät im Audio-Modus ist
12. DMX LED: leuchtet auf, wenn das Gerät ein DMX-Signal erhält
13. Master LED: leuchtet auf, wenn das Gerät als Master geschaltet ist
14. MENU-Knopf: zum Wählen der verschiedenen Menüpunkte
15. DOWN-Knopf: zum Zurückgehen im Menü und zum Mindern der auf dem Display angezeigten Werte.
16. UP-Knopf: zum Vorwärtsgen im Menü und zum Erhöhen der auf dem Display angezeigten Werte.
17. ENTER-Knopf: zum Bestätigen Ihrer Wahl.
18. DISPLAY zeigt die verschiedenen Menüs und die gewählten Funktionen an.

EINSTELLUNGSANLEITUNG:

HAUPTMENÜ:

- Um eine der Menüoptionen auszuwählen, drücken Sie den **MENU-Knopf** so oft bis die gewünschte Option auf dem Display erscheint.
- Auswahl der Funktion mit **EINGABE (ENTER)**, das Display blinkt.
- Mit **ABWÄRTS** und **AUFWÄRTS** wählen Sie die gewünschte Menüoption.
- Wenn die gewünschte Menüoption ausgewählt ist, mit **EINGABE (ENTER)** bestätigen. Nach 8 Sekunden kehrt das Display automatisch ohne Veränderung zu den Hauptfunktionen zurück. Zurück zu den Funktionen ohne Veränderung mit **MENÜ-Taste**. Im Nachfolgenden ist die Menüstruktur dargestellt.



Addr DMX512 Einstellung Adresse

Zum Einstellen der Startadresse in DMX Einstellung.

- MENU-Taste drücken bis **Addr** im Display angezeigt wird.
- EINGABE (ENTER) drücken und das Display beginnt zu blinken.
- Mit ABWÄRTS und AUFWÄRTS die DMX512 Adresse verändern.
- Sobald die richtige Adresse im Display angezeigt wird, mit EINGABE (ENTER) speichern (anderenfalls nach 8 Sekunden Rückkehr zu den Hauptfunktionen ohne Änderung).
Zur Rückkehr zu den Funktionen ohne Veränderung MENU-Taste erneut für ungefähr 2 Sekunden drücken.

Chnd Channel Mode

- Drücken Sie MENU, bis **Chnd** im Display angezeigt wird.
- Drücken Sie ENTER, damit beginnt das Display zu blinken.
- Benutzen Sie den DOWN- und UP-Knopf um einen der möglichen Kanal Moden zu wählen.
- Nach der Modusauswahl drücken Sie ENTER zum Einstellen (oder zur automatischen Rückkehr zu den Hauptfunktionen, wenn keine Eingabe innerhalb 8 Sekunden).
Zur Rückkehr zu den Funktionen ohne Veränderung MENU-Taste erneut für ungefähr 2 Sekunden drücken.

SLnd Betriebsmodus:

Zum Einstellen des Geräts im Master- oder Slave-Modus.

- MENU-Taste drücken bis **SLnd** im Display angezeigt wird.
- Drücken Sie den ENTER-Knopf, der aktuelle Betriebsmodus beginnt auf dem Display zu blinken
- Benutzen Sie die DOWN- oder UP-Knöpfe um den **MAST** (Master), oder einen der 4 Slaves Moden: **SL 1** → **SL 4** auszuwählen.
- Sobald die richtige Adresse im Display angezeigt wird, mit EINGABE (ENTER) speichern (anderenfalls nach 8 Sekunden Rückkehr zu den Hauptfunktionen ohne Änderung).
Zur Rückkehr zu den Funktionen ohne Veränderung MENU-Taste erneut für ungefähr 2 Sekunden drücken.

Anmerkungen: Ist nur ein Gerät im Einsatz, wählen Sie immer den Master Modus.

Shnd Showbetrieb

Zum Auswählen eines der vorprogrammierten Shows bei Benutzung im Standalone oder Master/Slave-Modus.

- MENU-Taste drücken bis **Shnd** im Display erscheint.
- Dann EINGABE (ENTER) drücken, die aktuelle Show beginnt auf dem Display zu blinken.
- Benutzen Sie die DOWN- und UP-Knöpfe um eine der vorprogrammierten Shows **SH 0** (Alle Programme laufen zufällig ab) bis **SH 11** (show 11) auszuwählen
- Wenn die richtige Show auf dem Display blinkt, drücken Sie den ENTER-Knopf um sie abzuspeichern. (anderenfalls nach 8 Sekunden Rückkehr zu den Hauptfunktionen ohne Änderung).
Zur Rückkehr zu den Funktionen ohne Veränderung MENU-Taste erneut für ungefähr 2 Sekunden drücken.

SOUn Sound Mode

Auswahl des gewünschten Sound Modus.

- MENU-Taste drücken bis **SOUn** im Display erscheint.
- Dann EINGABE (ENTER) drücken und das Display beginnt zu blinken.
- Benutzen Sie die DOWN- und UP-Knöpfe um **On** oder **OFF** auszuwählen:
 - **On** (sound modus an) → Die Show wird über das interne Mikrofon gesteuert.
 - **OFF** (sound modus aus) → Die Show wird über die Geschwindigkeit geregelt. Wenn Sie diesen Modus wählen, und drücken Sie die Enter-Taste, dann können Sie die Show-Geschwindigkeit einstellen: **FAST**(schnell), **Mid**(mitte) oder **Slow**(langsam)
- Nach der Modusauswahl drücken Sie ENTER zum Einstellen (oder zur automatischen Rückkehr zu den Hauptfunktionen, wenn keine Eingabe innerhalb 8 Sekunden)

Zur Rückkehr zu den Funktionen ohne Veränderung MENU-Taste erneut für ungefähr 2 Sekunden drücken.

BLnd Blackout

Blackout: Wird kein DMX-Signal erkannt, geht das Gerät in Blackout.

Kein Blackout: Wird kein DMX-Signal erkannt, schaltet das Gerät automatisch auf Master um.

- MENU-Taste drücken bis **BLnd** im Display erscheint.
- Dann EINGABE (ENTER) drücken, die aktuelle Auswahl beginnt auf dem Display zu blinken.
- Benutzen Sie den DOWN- und UP-Knopf um **YES** (Blackout) oder **NO** (kein Blackout) Modus zu wählen.
- Sobald die richtige Adresse im Display angezeigt wird, mit EINGABE (ENTER) speichern (anderenfalls nach 8 Sekunden Rückkehr zu den Hauptfunktionen ohne Änderung).
Zur Rückkehr zu den Funktionen ohne Veränderung MENU-Taste erneut für ungefähr 2 Sekunden drücken.

LED LED Display

Display an: Display ist ständig eingeschaltet.

Display aus: Display ist ausgeschaltet, wenn nicht in Benutzung.

- MENU-Taste drücken bis **LED** im Display erscheint.
- Dann EINGABE (ENTER) drücken und Display beginnt zu blinken.
- Mit ABWÄRTS und AUFWÄRTS **On** (Display ständig eingeschaltet) oder **OFF** (Display ausgeschaltet, wenn nicht in Benutzung) auswählen.
- Sobald die richtige Adresse im Display angezeigt wird, mit EINGABE (ENTER) speichern (anderenfalls nach 8 Sekunden Rückkehr zu den Hauptfunktionen ohne Änderung).
Zur Rückkehr zu den Funktionen ohne Veränderung MENU-Taste erneut für ungefähr 2 Sekunden drücken.

LDSP Display Umkehrung

Display Normal: Display ist lesbar, wenn Gerät auf dem Boden installiert ist.

Display Umkehrung: Display ist lesbar, wenn Gerät auf dem Kopf stehend installiert ist.

- MENU-Taste drücken bis **LDSP** im Display blinkt (Normal Display).
- Mit EINGABE (ENTER) zu Betriebsart **LDSP** (Display Umkehrung) umschalten, die Einstellung wird nach 8 Sekunden automatisch gespeichert oder EINGABE (ENTER) erneut drücken und so zu **LDSP** (Normal Display) zurückkehren.
Zur Rückkehr zu den Funktionen ohne Veränderung MENU-Taste erneut für ungefähr 2 Sekunden drücken.

ESSE Self-Test

Selbsttest

- MENU-Taste drücken bis **ESSE** im Display erscheint.
- Drücken Sie die ENTER Taste, das Display beginnt zu blinken: Das Gerät startet den Selbsttest.
Zur Rückkehr zu den Funktionen ohne Veränderung MENU-Taste erneut für ungefähr 2 Sekunden drücken.

Fhrs Stundenzähler

Zur Anzeige der Arbeitsstunden des Geräts.

- MENU-Taste drücken bis **Fhrs** im Display blinkt.
- Mit EINGABE (ENTER) die Arbeitsstunden im Display anzeigen.
- Zur Rückkehr zu den Funktionen ohne Veränderung MENU-Taste erneut für ungefähr 2 Sekunden drücken.

VER Software-Version:

Zum Anzeigen der Software-Version des Geräts.

- Drücken Sie den MENU-Knopf bis **VER** auf dem Display blinkt.
- Drücken Sie den ENTER-Knopf, um die Software-Version des Geräts anzuzeigen.

- Zur Rückkehr zu den Funktionen ohne Veränderung MENÜ-Taste erneut für ungefähr 2 Sekunden drücken.

ELEKTRISCHE INSTALLATION + ADRESSIERUNG

! Wichtig: Die Elektroinstallation sollte nur von Fachleuten in Übereinstimmung mit den in Ihrem Land geltenden Bestimmungen für elektrische und mechanische Sicherheit ausgeführt werden.

Elektrische Installation von einem allein stehenden Gerät:

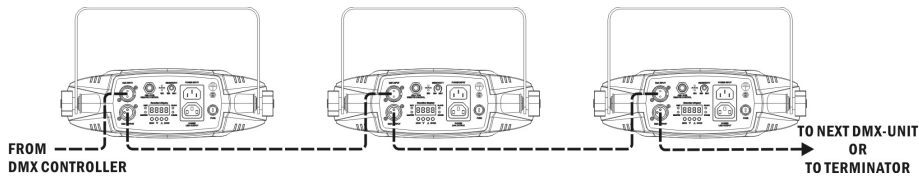
- Stecken Sie einfach das Netzkabel ein. Die Gerät fängt sofort an im allein stehenden Modus zu arbeiten
- Anmerkung 1:** Sie können einen Fernsteuerungscontroller CA-8 an das Gerät anschließen, wenn Sie zusätzliche Steuerungsfunktionen haben möchten. In Abschnitt „Bedienen des Geräts“ erfahren Sie mehr darüber.
- Anmerkung 2:** Sollte kein Ausgang vorhanden sein, stellen Sie sicher, dass das Gerät im Master-Modus eingestellt ist und setzen sie den Blackout Modus mode auf "NO" (siehe vorangehendes Kapitel)

Elektrische Installation für zwei oder mehrere Geräte im Master/Slave-Modus:

- Schließen Sie 2 bis max. 16 Geräte mit hochwertig abgeschirmten Mikrofonskabeln an. Setzen Sie das erste Gerät der Kette in den Master-Modus, die übrigen müssen in den Slave-Modus gesetzt werden (SL1, SL2, SL3 oder SL4). Siehe vorangehendes Kapitel für weitere Informationen.
- Vergewissern Sie sich, dass alle Geräte an die Netzleitung angeschlossen wurden.
- Fertig!
- Anmerkung:** Sie können einen Fernsteuerungscontroller CA-8 an das Gerät anschließen, wenn Sie zusätzliche Steuerungsfunktionen haben möchten.

Elektroinstallation im DMX-Modus:

- Das DMX-Protokoll ist ein gängiges Hochgeschwindigkeitssignal, um intelligente Lichtsysteme zu steuern. Sie müssen Ihren DMX-Controller und alle angeschlossenen Geräte mit einem hochwertigen symmetrischen Kabel hintereinander schalten (daisy chain).
- Es werden sowohl XLR-3pin als auch XLR-5pin-Stecker benutzt, allerdings ist der XLR-3pin gängiger, da diese Kabel mit symmetrischen Audiokabel kompatibel sind.
 - Stiftanordnung XLR-3pin: Pin1 = GND ~ Pin2 = Negatives Signal (-) ~ Pin3 = Positives Signal (+)
 - Stiftanordnung XLR-5pin: Pin1 = GND ~ Pin2 = Negatives Signal (-) ~ Pin3 = Positives Signal (+) ~ Pins4+5 nicht benutzt.
- Um durch Interferenzen verursachte Fehlfunktionen der Lichteffekte zu vermeiden, müssen Sie einen 90Ω bis 120Ω Abschlusswiderstand am Ende der Kette einsetzen. Verwenden Sie niemals Y-Splitter Kabel, das funktioniert nicht!
- Stellen Sie sicher, dass alle Geräte an das Netz angeschlossen sind.



EINSTELLEN DER RICHTIGEN STARTADRESSE:

Bitte im vorherigen Kapitel (DMX-512 Adresse einstellen) nachlesen, wie die Startadresse eingestellt wird. Die Startadresse jedes einzelnen Geräts ist ausgesprochen wichtig. Unglücklicherweise ist es unmöglich, Ihnen in dieser Bedienungsanleitung zu erklären, welche Startadresse Sie einzustellen haben. Das hängt vollständig von dem verwandten Controller ab... Also, bitte lesen Sie in der Bedienungsanleitung Ihres DMX Controllers nach, wie die Startadresse einzustellen ist.

DMX-KONFIGURATION DES TAURUS:

- **1 KANAL-MODUS:**

Ch1	
Function	
250-255	Random show Fast
200-249	Slow
15-199	Chase 1-12
0-14	OFF

- **3 KANAL-MODUS:**

DMX 512 Configuration				
Ch1	Ch2		Ch3	
Function	Color	Chase	Strobe	Chase Speed
	Ch1= 0-119	Ch1= 120-239	Ch1= 0-119	Ch1= 120-239
240-255 Stand Alone	240-255 Color15	250-255 Chase25	Fast ⚡⚡⚡	Fast ↑
120-239 Chase	224-239 Color14	240-249 Chase24		
010-119 Color	208-223 Color13	230-239 Chase23		
000-009 Off	192-207 Color12	220-229 Chase22		
	176-191 Color11	210-219 Chase21		
	160-175 Color10	200-209 Chase20		
	144-159 Color9	190-199 Chase19		
	128-143 Color8	180-189 Chase18		
	112-127 Color7	170-179 Chase17		
	096-111 Color6	160-169 Chase16		
	080-095 Color5	150-159 Chase15	10-255 ⚡⚡	10-255 ↑
	064-079 Color4	140-149 Chase14		
	048-063 Color3	130-139 Chase13		
	032-047 Color2	120-129 Chase12		
	016-031 Color1	110-119 Chase11		
	000-015 OFF	100-109 Chase10		
		090-099 Chase9		
		080-089 Chase8		
		070-079 Chase7		
		060-069 Chase6		
		050-059 Chase5	Slow ⚡	Slow ↑
		040-049 Chase4		
		030-039 Chase3		
		020-029 Chase2		
		010-019 Chase1		
		000-009 OFF		
			0-9 Open	0-9 Open

BEDIENUNG DES GERÄTS

Sie können das Gerät auf 3 verschiedene Weisen bedienen:

- o Als Haupt-/Untergerät mit eingebauten, vorprogrammierten Funktionen
- o Mit Easy Controller
- o Mit Universal DMX Controller

ALS HAUPT-/UNTERGERÄT MIT EINGEBAUTEN, VORPROGRAMMIERTEN FUNKTIONEN:

Auswahl dieser Funktion, falls Sie eine unverzügliche Show ablaufen lassen wollen. Durch Verbindung der Geräte in Haupt-/Untergeräte steuert das erste Gerät die nachfolgenden Geräte und erzeugt eine automatische, musikgesteuerte, synchronisierte Lightshow. Am DMX Eingang ist nichts angeschlossen, die Master-LED ist ständig an und die Sound-LED blinkt synchron mit der Musik.

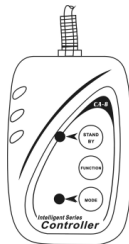
Wichtiger Hinweis! Diese Funktion arbeitet nur, wenn Betriebsart Blackout im Menü des Hauptgeräts AUSgeschaltet ist, anderenfalls passiert gar nichts! Mehr dazu bitte im Kapitel „Einstellanleitung“ nachlesen.

- **MASTER hat 12 vorprogrammierte Shows:** Sie können |SH 0 (Show 0) bis SH11 (show 11) direkt im Menü des Mastergeräts wählen.
- **UNTERGERÄTE haben 4 Betriebsoptionen:** Die weiteren Geräte sind auf Betriebsart Untergerät eingestellt (Untergerät-LED ist ständig an). Um eine großartige Lightshow zu kreieren, können Sie Kontrastbewegungen einführen → im Menü der Untergeräte zu Option **SL** gehen und auswählen:
 - o **SL 1 → Normal Untergerät:** Untergerät arbeitet synchron mit Hauptgerät.
 - o **SL 2 → 2 Lightshow:** Untergerät arbeitet umgekehrt vom Hauptgerät.
 - o **SL 3 → 3 light show:** Stellen sie am 3. Gerät ein folgendes ein, wenn mehrere Geräte genutzt werden.
 - o **SL 4 → 4 light show:** Stellen sie am 4. Gerät ein folgendes ein, wenn mehrere Geräte genutzt werden.

MIT EASY CONTROLLER:

Bei Verwendung in Betriebsart Haupt-/Untergerät empfehlen wir dringend die Verwendung unseres CA-8 „Easy Controller“. Diesen kleinen Controller einfach an der 1/4" Buchse des Hauptgeräts anschließen und dann folgende Funktionen steuern:

Standby	Blackout the unit		
Function	1. Strobe 2. Sound synchron strobe 3. Sound asynchron strobe	Show Wählen	Show Speed 1. Schnell 2. Modal 3. Langsam
Mode	(LED aus)	(LED an)	(LED strobe)



WARTUNG UND INSTANDHALTUNG

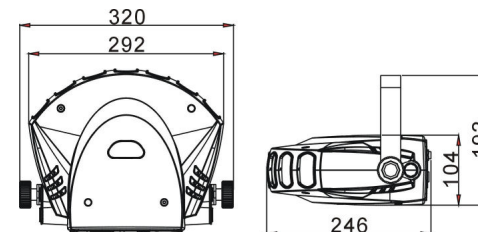
- Sicherstellen, dass sich keine unbefugten Personen unterhalb des Geräts befinden, während es gewartet wird.
- Gerät ausschalten, Netzstecker ziehen und warten, bis es sich abgekühlt hat.
- **Während der Wartung sind folgende Punkte ganz besonders zu beachten:**
- Sämtliche Schrauben zur Installation und Befestigung jeglicher Teile müssen fest angezogen und rostfrei sein.
- Gehäuse, Befestigungsmaterialien und Aufhängungen (Decke, Balken, abgehängte Decken) dürfen keine Anzeichen von Verformung aufweisen.
- Ist die Optik sichtbar beschädigt (Sprünge oder tiefe Kratzer), dann müssen die entsprechenden Teile ausgewechselt werden.
- Netzkabel muss stets in einwandfreiem Zustand sein und selbst bei kleinsten Beschädigungen erneuert werden.
- Zur Vermeidung von Überhitzung müssen die Ventilatoren (sofern vorhanden) und Lüftungsschlitze monatlich gereinigt werden.
- Gerät innen mindestens einmal pro Jahr mit Staubsauger oder Airjet reinigen.

- Reinigung der inneren und äußeren optischen Linsen und/oder Spiegel müssen in regelmäßigen Abständen zur Beibehaltung einer optimalen Lichtausbeute vorgenommen werden. Reinigungsintervalle hängen stark von der Umgebung ab: feuchte, verrauchte und besonders verschmutzte Umgebung führen zu größerer Verschmutzung auf den Linsen.
 - Mit weichem Tuch und gewöhnlichem Glasreiniger säubern.
 - Alle Teile stets gut abtrocknen.
 - Äußere Optik mindestens alle 30 Tage säubern.
 - Innere Optik mindestens alle 90 Tage säubern.

Achtung: Wir empfehlen dringend, Reinigung im Innern des Geräts nur von qualifiziertem Personal durchführen zu lassen!

TECHNISCHE EINZELHEITEN

Netzspannung:	AC 100V - 240V, 50Hz/60Hz
Leistungsaufnahme:	12 Watt
Max. Verbindungs Kapazität über die IEC Ein-/Ausgänge:	90 Stück
Sicherung:	250V / T6,3A langsame Sicherung (20mm Glas)
Klangregler:	Eingebautes Mikrofon
DMX Anschlüsse:	3-pin XLR Stecker/Buchse
Benutzte DMX-Kanäle:	1/3/9/28 Kanäle
Leuchtmittel:	84 LEDs (Rot=21 + Grün=21 + Blau=21 + Weiss=21)
Abmessungen:	246 x 320 x 192 mm
Gewicht:	2 kg



**Technische Änderungen können auch ohne Vorankündigung vorgenommen werden!
Sie können sich die neueste Version dieses Benutzerhandbuchs von unserer Website herunterladen: www.beglec.com**

MANUAL DE FUNCIONAMIENTO

Gracias por comprar este producto JB Systems®. Para sacar el máximo rendimiento a sus posibilidades y por su propia seguridad, lea estas instrucciones de funcionamiento detenidamente antes de comenzar a utilizar esta unidad.

CARACTERÍSTICAS

Esta unidad está a prueba de interferencias de radio. Este producto cumple los requisitos de las directrices nacionales y europeas actuales. Se ha establecido la conformidad y las instrucciones y documentos correspondientes han sido depositados por el fabricante.

- Este dispositivo ha sido diseñado para producir efectos luminosos decorativos y se utiliza en sistemas de espectáculos de luces.
- Potente y llamativo efecto LED.
- 7 grupos de LEDs con 84 LEDs de potencia (R=21 + G=21 + B=21 + W=21):
 - Colores muy brillantes en comparación con los efectos de lámparas halógenas
 - Efectos más dinámicos en comparación con los efectos de lámparas halógenas
 - Grupos parecidos a láser, blancos, azules, rojos y verdes muy nítidos
 - No hay que sustituir la lámparas
 - Utiliza LEDs con una vida útil muy larga
 - Casi no produce calor
 - Consumo de energía muy bajo: 12 Watt !
 - Peso ligero (no necesita transformadores de lámpara)
- Regulación de intensidad luminosa 0-100% y función estroboscópica ultra rápida
- Excelentes programas incorporados para espectáculos de luces maravillosos en constante cambio:
 - Control DMX: 1, 3, 9 ó 28 canales seleccionables para controlar totalmente los 7 grupos de LEDs
 - Independiente: se activa por sonido con micrófono interno
 - Maestro/esclavo: espectáculos perfectamente sincronizados
- Controlador remoto CA-8 opcional disponible
- Enchufes IEC entrada/salida: facil para encadenar a la red eléctrica hasta 90 unidades, utilizando los cables IEC opcionales.
- Pantalla de 4 dígitos con menú
- ¡Con un CPB-4 opcional (Lira central) se pueden montar juntas 4 unidades para obtener un efecto de centro con LEDs increíble y fantástico!

ANTES DE UTILIZAR EL APARATO

- Antes de comenzar a utilizar esta unidad, compruebe que no haya habido daños durante el transporte. Si observa algún daño, no utilice el dispositivo y consulte primero a su distribuidor.
- **Importante:** Este dispositivo ha salido de nuestras instalaciones en perfecto estado y bien embalado. Es absolutamente necesario que el usuario siga estrictamente estas instrucciones y advertencias de seguridad que aparecen en este manual de usuario. Cualquier daño producido por un manejo innecesario queda excluido de la garantía. El distribuidor no asumirá ninguna responsabilidad por cualquier defecto o problema que surja por no haber seguido el manual de usuario.
- Guarde este folleto en un lugar seguro para consultarlo en el futuro. Si vende este aparato más adelante, asegúrese de incluir este manual de usuario.

Compruebe el contenido:

Compruebe que la caja contiene los siguientes elementos:

- Instrucciones de funcionamiento
- TAURUS
- Soporte colgante con perillas
- Cable de red

INSTRUCCIONES DE SEGURIDAD:



CAUTION
RISK OF ELECTRIC SHOCK
DO NOT OPEN



PRECAUCIÓN: Para reducir el riesgo de electrocución, no quite la cubierta superior. Ninguna pieza usable adentro para el utilizador. Dirijase únicamente a personal cualificado.



El símbolo de un rayo en el interior de un triángulo alerta sobre la presencia o el uso de elementos no aislados donde un voltaje peligroso constituye un riesgo grande para causar una eventual electrocución.



El punto de exclamación en el interior de un triángulo alerta al usuario sobre la presencia de importantes instrucciones de operación y de mantenimiento tenidas en cuenta en el manual de uso.



Este símbolo significa : uso para el interior solamente.



Este símbolo significa : Lea las instrucciones.

- Para proteger el medio ambiente, recicle el material de embalaje en la medida de lo posible.
- Un nuevo efecto luminoso provoca a veces humo y/u olor no deseados. Esto es normal y desaparece después de algunos minutos.
- Para evitar incendios o riesgos de descarga, no exponga la unidad a la lluvia o a la humedad.
- Para evitar que se forme condensación en el interior, deje que la unidad se adapte a la temperatura exterior cuando la lleve a una habitación cálida después del transporte. A veces la condensación impide que la unidad funcione a pleno rendimiento y puede incluso provocar daños.
- Esta unidad sólo se puede usar en el interior.
- No coloque objetos metálicos ni derrame líquidos dentro del reproductor de la unidad. Se pueden producir descargas eléctricas o fallos de funcionamiento. Si algún objeto extraño entra en la unidad, desconecte inmediatamente el suministro eléctrico.
- Coloque el aparato en un lugar bien ventilado, lejos de materiales y/o líquidos inflamables. El aparato debe colocarse a al menos 50 cm de las paredes.
- No cubra ninguna abertura de ventilación puesto que podría producirse un sobrecalentamiento de la unidad.
- Evite el uso en ambientes con polvo y limpie la unidad regularmente.
- Mantenga la unidad lejos de los niños.
- Las personas sin experiencia no deben utilizar este aparato.
- La máxima temperatura ambiente para un funcionamiento seguro es de 40°C. No utilice la unidad a temperaturas ambiente superiores.
- Asegúrese de que debajo del área del lugar de instalación no hay personas durante el montaje, desmontaje o mantenimiento.
- Desenchufe siempre la unidad cuando no vaya a ser utilizada durante un largo periodo de tiempo o antes de reemplazar la bombilla o comenzar el mantenimiento.
- La instalación eléctrica sólo debe ser llevada a cabo por personal cualificado, de acuerdo con las regulaciones sobre seguridad eléctrica y mecánica de su país.
- Compruebe que el voltaje disponible no supera el que se indica en el panel trasero de la unidad.
- El cable de alimentación siempre debe estar en perfecto estado. Apague la unidad inmediatamente cuando observe daños o desperfectos en el cable de alimentación. Debe ser reemplazado por el fabricante, su agente de servicio o personas cualificadas para evitar cualquier peligro.
- ¡Nunca deje que el cable de alimentación entre en contacto con otros cables!
- Este aparato debe conectarse a tierra para cumplir con las regulaciones sobre seguridad.
- No conecte la unidad a ningún regulador de voltaje.
- Utilice siempre un cable de seguridad apropiado y homologado cuando instale la unidad.
- Para evitar descargas eléctricas, no abra la cubierta. Además de la lámpara y el fusible de red no hay piezas en el interior de este aparato que pueda mantener el usuario.
- **Nunca** repare un fusible ni derive el soporte del fusible. ¡Reemplace **siempre** el fusible dañado por un fusible del mismo tipo y especificación eléctrica!
- En caso de que ocurran problemas de funcionamiento serios, deje de utilizar el aparato y póngase en contacto con su distribuidor inmediatamente.
- La carcasa y la lente deben reemplazarse si presentan daños visibles.
- Utilice el embalaje original cuando tenga que transportar el dispositivo.

• Por razones de seguridad se prohíbe realizar modificaciones no autorizadas en la unidad.

Importante: No utilice el efecto en presencia de personas epilépticas.

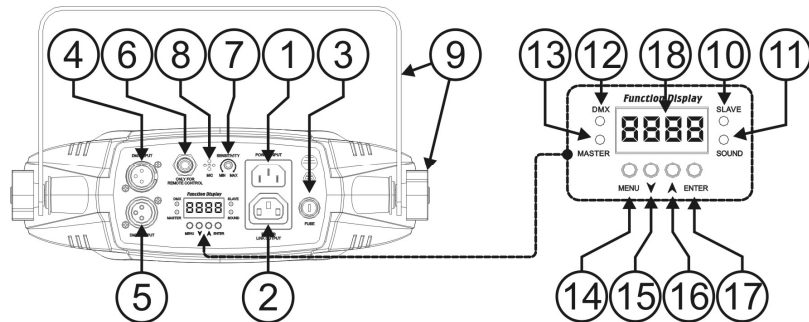
MONTAJE SUPERIOR

- **Importante:** La instalación sólo debe llevarse a cabo por personal técnico cualificado. Una instalación incorrecta puede provocar lesiones graves y/o daños en la propiedad. ¡El montaje superior requiere mucha experiencia! Deben respetarse los límites de carga de funcionamiento, deben utilizarse materiales de instalación homologados, el dispositivo instalado debe inspeccionarse regularmente por su seguridad.
- Asegúrese de que debajo del área del lugar de instalación no hay personas durante el montaje, desmontaje o mantenimiento.
- Coloque el aparato en un lugar bien ventilado, lejos de materiales y/o líquidos inflamables. El aparato debe colocarse a al menos 50 cm de las paredes.
- El dispositivo debe instalarse lejos del alcance de las personas y de las áreas exteriores donde éstas puedan andar o sentarse.
- Antes del montaje asegúrese de que el área de la instalación puede soportar una carga mínima de 10 veces el peso de la unidad.
- Utilice siempre un cable de seguridad homologado que pueda soportar 12 veces el peso del dispositivo cuando instale la unidad. Este accesorio de seguridad secundario debe instalarse de forma que ninguna pieza de la instalación pueda caerse más de 20 cm si falla el accesorio principal.
- El dispositivo debe fijarse correctamente; ¡un montaje con giro libre es peligroso y no debe considerarse!
- No cubra ninguna abertura de ventilación puesto que podría producirse un sobrecalentamiento de la unidad.
- El operario debe asegurarse de que las instalaciones relacionadas con la seguridad son aprobadas por un experto antes de utilizarlas por primera vez. Las instalaciones deberán inspeccionarse anualmente por una persona cualificada para asegurar que la seguridad es óptima.

CREACIÓN DE UN EFECTO DE CENTRO

Con un CPB-4 opcional " Lira central " usted puede hacer una combinación fantástica con 4pcs TAURUS led. ¡El resultado es un efecto de Centro magnifico con Leds, realmente original y llamativo!

DESCRIPCIÓN:



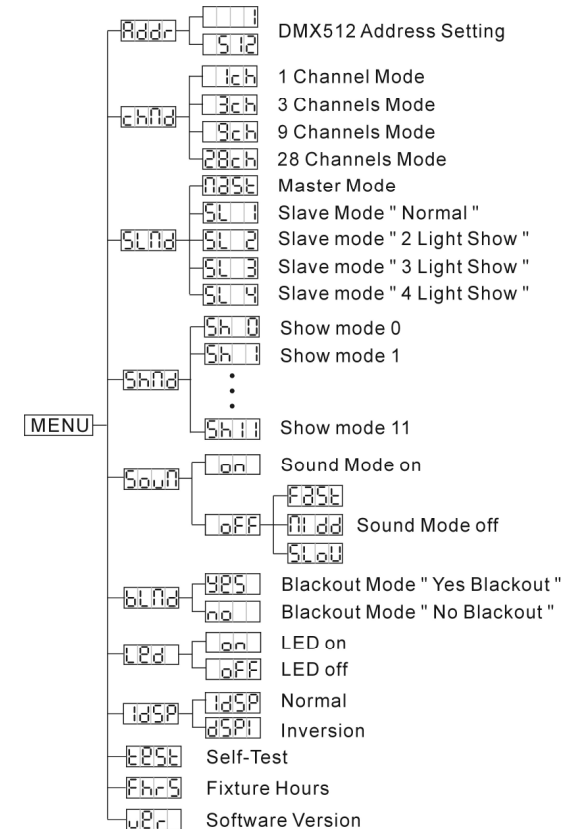
1. Entrada de red eléctrica con toma IEC: conecte el cable de red aquí suministrado.
2. Salida de red eléctrica con toma IEC: puede utilizar un cable de alimentación especial IEC para conectar esta salida con la entrada red eléctrica del siguiente TAURUS para una unión más sencilla (se pueden conectar máximo 90 unidades)
3. Soporte de fusible
4. Entrada DMX.
5. Salida DMX.
6. Entrada de jack de ¼" para el controlador manual CA-8 opcional.
7. Control de sensibilidad musical para el micro interno
8. Micrófono interno.

9. Soporte colgante dos perillas a ambos lados para sujetar la unidad y un agujero de montaje para instalar el gancho de montaje.
10. LED esclavo: se enciende cuando la unidad está en modo esclavo.
11. LED de sonido: parpadea al ritmo de la música mientras la unidad está en modo audio.
12. LED DE DMX: se enciende cuando la unidad recibe una señal DMX
13. LED maestro: se enciende cuando la unidad está en modo maestro.
14. Botón MENU: se utiliza para seleccionar los diferentes elementos del menú.
15. Botón DOWN: para bajar en el menú y reducir los valores que se muestran en la pantalla.
16. Botón UP: para subir en el menú y aumentar los valores que se muestran en la pantalla.
17. Botón ENTER: se utiliza para confirmar su selección.
18. DISPLAY muestra los varios menús y las opciones seleccionadas.

CONFIGURACIÓN:

MENÚ PRINCIPAL:

- Para seleccionar cualquiera de las opciones del menú, pulse el botón **MENU** hasta que se muestre en pantalla la que desea.
- Seleccione la función con el botón **ENTER**. La pantalla parpadeará.
- Utilice los botones **DOWN** y **UP** para seleccionar la opción de menú deseada.
- Una vez que haya seleccionado la opción deseada, pulse el botón **ENTER** para seleccionar. Después de 8 segundos la pantalla volverá automáticamente a las funciones principales sin ningún cambio. Para volver a las funciones sin hacer cambios pulse el botón **MENU**. La estructura del menú se muestra a continuación.



Addr Ajuste de la dirección DMX512

Se utiliza para ajustar la dirección de inicio en una configuración DMX.

- Pulse el botón MENU **Addr** hasta que se muestre en la pantalla.
 - Pulse el botón ENTER, la pantalla comienza a parpadear.
 - Utilice los botones DOWN y UP para cambiar la dirección DMX512.
 - Una vez que se muestre la dirección correcta en pantalla, pulse el botón ENTER para guardarla.
(o volver automáticamente a las funciones principales sin hacer ningún cambio tras 8 segundos)
- Para volver a las funciones sin hacer cambios pulse el botón MENU otra vez durante unos 2 segundos.

Chan Modalidad Canal

- Pulse el botón MENU **Chan** hasta que se muestre en la pantalla.
 - Pulse el botón ENTER, la pantalla comienza a parpadear.
 - Utilice el botón DOWN y UP para seleccionar uno de los modos de canal disponibles.
 - Una vez que haya seleccionado la modalidad, pulse el botón ENTER para configurar.
(o volver automáticamente a las funciones principales sin hacer ningún cambio tras 8 segundos)
- Para volver a las funciones sin hacer cambios pulse el botón MENU otra vez durante unos 2 segundos.

SLnd Modo de funcionamiento

Se utiliza para establecer la unidad en modo maestro o esclavo.

- Pulse el botón MENU **SLnd** hasta que se muestre en la pantalla.
 - Pulse el botón ENTER, el modo de funcionamiento actual comenzará a parpadear en la pantalla.
 - Use los botones DOWN y UP para seleccionar **MAST** (maestro) o uno de los 4 modos SLAVE: **SL 1** → **SL 4**.
 - Una vez que haya seleccionado el modo, pulse el botón ENTER para guardarlo.
(o volver automáticamente a las funciones principales sin hacer ningún cambio tras 8 segundos)
- Para volver a las funciones sin hacer cambios pulse el botón MENU otra vez durante unos 2 segundos.

Observaciones: Sólo cuando se utilice una unidad, deberá seleccionar siempre el modo maestro.

Shnd Modalidad Espectáculo

Se utiliza para seleccionar uno de los espectáculos preprogramados cuando se utiliza en modo independiente o maestro/esclavo.

- Pulse el botón MENU **Shnd** hasta que se muestre en la pantalla.
 - Pulse el botón ENTER, el espectáculo actual comenzará a parpadear en la pantalla.
 - Use los botones DOWN y UP para seleccionar uno de los espectáculos preprogramados **SH 0** (todos los shows se leen en modo random) a **SH 11** (espectáculo 11)
 - Una vez que se muestre el espectáculo correcto en pantalla, pulse el botón ENTER para guardarlo.
(o volver automáticamente a las funciones principales sin hacer ningún cambio tras 8 segundos)
- Para volver a las funciones sin hacer cambios pulse el botón MENU otra vez durante unos 2 segundos.

SOUN Sound Mode

Escoger el modo audio para activar los shows.

- Pulse el botón MENU **SOUN** hasta que se muestre en la pantalla.
 - Pulse el botón ENTER, la pantalla comienza a parpadear.
 - Utilice el botón DOWN y UP para seleccionar **ON** o **OFF**:
 - **ON** (sound mode ON) → los shows se activarán con el microfono interno.
 - **OFF** (sound mode OFF) → los shows se activarán unicamente con la velocidad seleccionada Al seleccionar este modo y pulse el botón ENTER, se puede seleccionar la velocidad de la presentación: **FAST** (rápido), **Normal** o **Slow** (lento)
 - Una vez que haya seleccionado la modalidad, pulse el botón ENTER para configurar
(o volver automáticamente a las funciones principales sin hacer ningún cambio tras 8 segundos)
- Para volver a las funciones sin hacer cambios pulse el botón MENU otra vez durante unos 2 segundos.

BLnd Modalidad Oscurecimiento

Modalidad Oscurecimiento: cuando no se detecta ninguna señal DMX, la unidad entra en oscurecimiento.

Sin modalidad Oscurecimiento: cuando no se detecta ninguna señal DMX, la unidad pasa automáticamente a modo maestro.

¡SIEMPRE seleccionará "No Blackout" cuándo la unidad es usada en modo master (o master/slave)!!!

- Pulse el botón MENU **BLnd** hasta que se muestre en la pantalla.
 - Pulse el botón ENTER, la selección actual comenzará a parpadear en la pantalla.
 - Use los botones DOWN y UP para seleccionar **SI** (oscurecimiento) o **NO** (sin oscurecimiento).
 - Una vez que haya seleccionado el modo, pulse el botón ENTER para guardarlo.
(o volver automáticamente a las funciones principales sin hacer ningún cambio tras 8 segundos)
- Para volver a las funciones sin hacer cambios pulse el botón MENU otra vez durante unos 2 segundos.

LED Pantalla de LED

Pantalla encendida: la pantalla siempre está encendida.

Pantalla apagada: la pantalla está apagada cuando no se utiliza.

- Pulse el botón MENU hasta que la pantalla muestre **LED**.
 - Pulse el botón ENTER, la pantalla comienza a parpadear.
 - Utilice los botones DOWN y UP para seleccionar **ON** (pantalla siempre encendida) o **OFF** (pantalla apagada cuando no se utiliza).
 - Una vez que haya seleccionado el modo, pulse el botón ENTER para guardarlo.
(o volver automáticamente a las funciones principales sin hacer ningún cambio tras 8 segundos)
- Para volver a las funciones sin hacer cambios pulse el botón MENU otra vez durante unos 2 segundos.

LDSP Inversión de pantalla

Pantalla normal: la pantalla se puede leer cuando la unidad está en el suelo.

Inversión de pantalla la pantalla se puede leer cuando la unidad está montada al revés.

- Pulse el botón MENU **LDSP** hasta que parpadee en la pantalla. (pantalla normal)
- Utilice el botón ENTER para cambiar a la modalidad **ISP** (inversión de pantalla), la opción se almacenará automáticamente después de 8 segundos. O pulse el botón ENTER de nuevo para volver a la modalidad **LDSP** (pantalla normal).
- Para volver a las funciones sin hacer cambios pulse el botón MENU otra vez durante unos 2 segundos.

TEST Auto-Test

Incluye un programa de autoprueba

- Pulse el botón MENU hasta que la pantalla muestre **TEST**
 - Pulsar el botón ENTER, el display comienza a parpadear: la unidad activa el programa de autoprueba.
- Para volver a las funciones sin hacer cambios pulse el botón MENU otra vez durante unos 2 segundos.

Fhrs Horas del aparato

Se utiliza para mostrar el número de horas de funcionamiento de la unidad.

- Pulse el botón MENU **Fhrs** hasta que parpadee en la pantalla.
 - Pulse el botón ENTER para mostrar el número de horas de funcionamiento en la pantalla.
- Para volver a las funciones sin hacer cambios pulse el botón MENU otra vez durante unos 2 segundos.

VER Versión de software:

Se utiliza para mostrar la versión de software de la unidad.

- Pulse MENU hasta que **VER** parpadee en la pantalla.
 - Pulse el botón ENTER para mostrar la versión de software de la unidad.
- Para volver a las funciones sin hacer cambios pulse el botón MENU otra vez durante unos 2 segundos.

INSTALACIÓN ELÉCTRICA + DIRECCIONAMIENTO

⚠ Importante: La instalación eléctrica sólo debe ser llevada a cabo por personal cualificado, de acuerdo con la regulaciones sobre seguridad eléctrica y mecánica de su país.

Instalación eléctrica para 1 unidad independiente:

- Inserte el cable de red eléctrica. La unidad comienza a funcionar instantáneamente en modalidad independiente.

Observación 1: Puede conectar un controlador CA-8 remoto a la unidad si desea disponer de más control. Consulte "Manejo de la unidad" para saber cómo hacerlo.

Observación 2: Si no hay emisión, asegúrese de establecer la unidad en modo maestro y seleccione el modo blackout en "NO" (consulte el capítulo anterior)

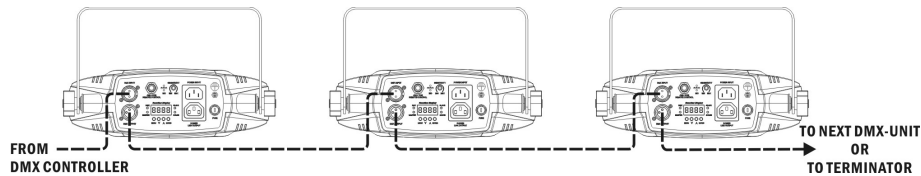
Instalación eléctrica de una o más unidades en modalidad maestra/eslava:

- Conecte de 2 a un máximo de 16 unidades juntas mediante cables de micrófono equilibrados de buena calidad. Establezca la primera unidad de la cadena en modo maestro, el resto debe establecerse en modo esclavo (SL1, SL2, SL3 o SL4). Consulte el capítulo anterior para obtener más información.
- Asegúrese de que todas las unidades están conectadas a la red eléctrica.
- ¡Ya está!

Observación: Puede conectar un controlador CA-8 remoto a la unidad maestra si desea disponer de más control sobre el funcionamiento maestro/esclavo.

Instalación eléctrica en modo DMX:

- El protocolo DMX es una señal de alta velocidad muy utilizada para controlar equipo de iluminación inteligente. Necesita conectar en cadena tipo margarita su controlador DMX y todas las unidades conectadas con un cable equilibrado de buena calidad.
- Se utilizan conectores XLR de 3 pines y conectores XLR de 5 pines, no obstante, el conector XLR de 3 pines es más popular porque estos cables son compatibles con los cables de audio equilibrados. Disposición de pines en el conector XLR de 3 pines: Pin1 = GND ~ Pin2 = Señal negativa (-) ~ Pin3 = Señal positiva (+)
Disposición de pines en el conector XLR de 5 pines: Pin1 = GND ~ Pin2 = Señal negativa (-) ~ Pin3 = Señal positiva (+) ~ Pines4+5 no se utilizan.
- Para evitar un comportamiento anómalo de los efectos luminosos, debido a interferencias, debe utilizar un terminator de 90Ω a 120Ω al final de la cadena. Nunca utilice cables divisores en Y, ¡No funcionarán!
- Asegúrese de que todas las unidades están conectadas a la red eléctrica.
- Cada efecto luminoso en la cadena necesita disponer de su propia dirección de inicio de forma que sepa qué comando del controlador debe descodificar. En la siguiente sección obtendrá información sobre cómo establecer las direcciones DMX.



• AJUSTE DE LA DIRECCIÓN DE INICIO CORRECTA:

Consulte el capítulo anterior (ajuste de dirección DMX-512) para saber cómo ajustar la dirección de inicio en esta unidad. La dirección de inicio de cada unidad es muy importante. Lamentablemente es imposible decirle en este manual de usuario qué dirección de inicio debe ajustar porque esto dependerá completamente del controlador que utilice... Consulte el manual de usuario de su controlador DMX para saber que direcciones de inicio debe ajustar.

CONFIGURACIÓN DMX DE TAURUS:

• MODO 1 CANAL:

Ch1	
Function	
250-255	Random show Fast
	⚡⚡⚡
200-249	⚡⚡
	⚡
	Slow
15-199	Chase 1-12
0-14	OFF

• MODO DE 3 CANALES:

DMX 512 Configuration				
Ch1	Ch2		Ch3	
Function	Color	Chase	Strobe	Chase Speed
	Ch1= 0-119	Ch1= 120-239	Ch1= 0-119	Ch1= 120-239
240-255 Stand Alone	240-255 Color15	240-255 Chase25	Fast ⚡⚡⚡	Fast ↑
120-239 Chase	224-239 Color14	240-249 Chase24		
010-119 Color	208-223 Color13	230-239 Chase23		
000-009 Off	176-191 Color11	220-229 Chase22	10-255 ⚡⚡	10-255 ↑
	160-175 Color10	210-219 Chase21		
	144-159 Color9	200-209 Chase20	Slow ⚡	Slow ↑
	128-143 Color8	190-199 Chase19		
	096-111 Color6	180-189 Chase18	0-9 Open	0-9 Open
	080-095 Color5	170-179 Chase17		
	064-079 Color4	160-169 Chase16		
	048-063 Color3	150-159 Chase15		
	032-047 Color2	140-149 Chase14		
	016-031 Color1	130-139 Chase13		
	000-015 OFF	120-129 Chase12		
		110-119 Chase11		
		100-109 Chase10		
		090-099 Chase9		
		080-089 Chase8		
		070-079 Chase7		
		060-069 Chase6		
		050-059 Chase5		
		040-049 Chase4		
		030-039 Chase3		
		020-029 Chase2		
		010-019 Chase1		
		000-009 OFF		

• MODO DE 9 CANALES:

DMX 512 Configuration								
Ch1	Ch2		Ch3		Ch4		Ch5	
Function	Color	Chase	Color	Chase	Color	Chase	Color	Chase
	Ch1= 0-119	Ch1= 120-239	Ch1= 0-119	Ch1= 120-239	Ch1= 0-119	Ch1= 120-239	Ch1= 0-119	Ch1= 120-239
240-255 Stand Alone	240-255 Color15 224-239 Color14 208-223 Color13 192-207 Color12 176-191 Color11 160-175 Color10 144-159 Color9 128-143 Color8 112-127 Color7	250-255 Chase25 240-249 Chase24 230-239 Chase23 220-229 Chase22 210-219 Chase21 200-209 Chase20 190-199 Chase19 180-189 Chase18 170-179 Chase17 160-169 Chase16 150-159 Chase15 140-149 Chase14 130-139 Chase13 120-129 Chase12 110-119 Chase11	240-255 Color15 224-239 Color14 208-223 Color13 192-207 Color12 176-191 Color11 160-169 Chase16 150-159 Chase15 144-159 Color9 130-139 Chase13 128-143 Color8 112-127 Color7	250-255 Chase25 240-249 Chase24 230-239 Chase23 220-229 Chase22 210-219 Chase21 200-209 Chase20 190-199 Chase19 180-189 Chase18 170-179 Chase17 160-169 Chase16 150-159 Chase15 140-149 Chase14 130-139 Chase13 120-129 Chase12 110-119 Chase11	240-255 Color15 224-239 Color14 208-223 Color13 192-207 Color12 176-191 Color11 160-169 Chase16 150-159 Chase15 144-159 Color9 130-139 Chase13 128-143 Color8 112-127 Color7	250-255 Chase25 240-249 Chase24 230-239 Chase23 220-229 Chase22 210-219 Chase21 200-209 Chase20 190-199 Chase19 180-189 Chase18 170-179 Chase17 160-169 Chase16 150-159 Chase15 140-149 Chase14 130-139 Chase13 120-129 Chase12 110-119 Chase11	240-255 Color15 224-239 Color14 208-223 Color13 192-207 Color12 176-191 Color11 160-169 Chase16 150-159 Chase15 144-159 Color9 130-139 Chase13 128-143 Color8 112-127 Color7	250-255 Chase25 240-249 Chase24 230-239 Chase23 220-229 Chase22 210-219 Chase21 200-209 Chase20 190-199 Chase19 180-189 Chase18 170-179 Chase17 160-169 Chase16 150-159 Chase15 140-149 Chase14 130-139 Chase13 120-129 Chase12 110-119 Chase11
120-239 Chase	096-111 Color6 080-095 Color5 064-079 Color4 048-063 Color3 032-047 Color2 016-031 Color1 000-015 OFF	100-109 Chase10 090-099 Chase9 080-089 Chase8 070-079 Chase7 060-069 Chase6 050-059 Chase5 040-049 Chase4 030-039 Chase3 020-029 Chase2 010-019 Chase1 000-009 OFF	096-111 Color6 080-095 Color5 064-079 Color4 048-063 Color3 032-047 Color2 016-031 Color1 000-015 OFF	100-109 Chase10 090-099 Chase9 080-089 Chase8 070-079 Chase7 060-069 Chase6 050-059 Chase5 040-049 Chase4 030-039 Chase3 020-029 Chase2 010-019 Chase1 000-009 OFF	096-111 Color6 080-095 Color5 064-079 Color4 048-063 Color3 032-047 Color2 016-031 Color1 000-015 OFF	100-109 Chase10 090-099 Chase9 080-089 Chase8 070-079 Chase7 060-069 Chase6 050-059 Chase5 040-049 Chase4 030-039 Chase3 020-029 Chase2 010-019 Chase1 000-009 OFF	096-111 Color6 080-095 Color5 064-079 Color4 048-063 Color3 032-047 Color2 016-031 Color1 000-015 OFF	100-109 Chase10 090-099 Chase9 080-089 Chase8 070-079 Chase7 060-069 Chase6 050-059 Chase5 040-049 Chase4 030-039 Chase3 020-029 Chase2 010-019 Chase1 000-009 OFF

DMX 512 Configuration							
Ch6		Ch7		Ch8		Ch9	
Color	Chase	Color	Chase	Color	Chase	Strobe	Chase Speed
Ch1= 0-119	Ch1= 120-239	Ch1= 0-119	Ch1= 120-239	Ch1= 0-119	Ch1= 120-239	Ch1= 0-119	Ch1= 120-239
240-255 Color15 224-239 Color14 208-223 Color13 192-207 Color12 176-191 Color11 160-175 Color10 144-159 Color9 128-143 Color8 112-127 Color7 096-111 Color6 080-095 Color5 064-079 Color4 048-063 Color3 032-047 Color2 016-031 Color1 000-015 OFF	250-255 Chase25 240-249 Chase24 230-239 Chase23 220-229 Chase22 210-219 Chase21 200-209 Chase20 190-199 Chase19 180-189 Chase18 170-179 Chase17 160-169 Chase16 150-159 Chase15 140-149 Chase14 130-139 Chase13 120-129 Chase12 110-119 Chase11 100-109 Chase10 090-099 Chase9 080-089 Chase8 070-079 Chase7 060-069 Chase6 050-059 Chase5 040-049 Chase4 030-039 Chase3 020-029 Chase2 010-019 Chase1 000-009 OFF	240-255 Color15 224-239 Color14 208-223 Color13 192-207 Color12 176-191 Color11 160-169 Chase16 150-159 Chase15 144-159 Color9 130-139 Chase13 128-143 Color8 112-127 Color7	250-255 Chase25 240-249 Chase24 230-239 Chase23 220-229 Chase22 210-219 Chase21 200-209 Chase20 190-199 Chase19 180-189 Chase18 170-179 Chase17 160-169 Chase16 150-159 Chase15 140-149 Chase14 130-139 Chase13 120-129 Chase12 110-119 Chase11 100-109 Chase10 090-099 Chase9 080-089 Chase8 070-079 Chase7 060-069 Chase6 050-059 Chase5 040-049 Chase4 030-039 Chase3 020-029 Chase2 010-019 Chase1 000-009 OFF	240-255 Color15 224-239 Color14 208-223 Color13 192-207 Color12 176-191 Color11 160-169 Chase16 150-159 Chase15 144-159 Color9 130-139 Chase13 128-143 Color8 112-127 Color7	250-255 Chase25 240-249 Chase24 230-239 Chase23 220-229 Chase22 210-219 Chase21 200-209 Chase20 190-199 Chase19 180-189 Chase18 170-179 Chase17 160-169 Chase16 150-159 Chase15 140-149 Chase14 130-139 Chase13 120-129 Chase12 110-119 Chase11 100-109 Chase10 090-099 Chase9 080-089 Chase8 070-079 Chase7 060-069 Chase6 050-059 Chase5 040-049 Chase4 030-039 Chase3 020-029 Chase2 010-019 Chase1 000-009 OFF	Fast 10-255 Slow 0-9	Fast 10-255 Slow 0-9

• MODO DE 28 CANALES:

DMX 512 Configuration									
CH 1	CH 2	CH 3	CH 4	CH 5	CH 6	CH 7	CH 8	CH 9	CH 10
Red	Green	Blue	White	Red	Green	Blue	White	Red	Green
CH 11	CH 12	CH 13	CH 14	CH 15	CH 16	CH 17	CH 18	CH 19	CH 20
Blue	White	Red	Green	Blue	White	Red	Green	Blue	White
CH 21	CH 22	CH 23	CH 24	CH 25	CH 26	CH 27	CH 28		
Red	Green	Blue	White	Red	Green	Blue	White		

MANEJO DE LA UNIDAD

PUEDEN MANEJAR LA UNIDAD DE TRES FORMAS:

- o Mediante la función preprogramada incorporada maestra/esclava
- o Mediante el controlador fácil CA-8
- o Mediante controlador universal DMX

MEDIANTE LA FUNCIÓN PREPROGRAMADA INCORPORADA MAESTRA/ESCLAVA:

Seleccione esta unidad cuando desee un espectáculo luminoso instantáneo. Uniendo las unidades en conexión maestra/esclava, la primera unidad controlará el resto de unidades para proporcionar un espectáculo luminoso automático, sonoro y sincronizado. Su entrada DMX no tendrá nada conectado y su LED de maestra estará encendido constantemente y el LED de sonido parpadeará con la música.

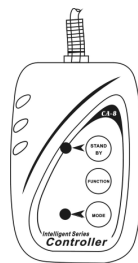
¡Importante! ¡Esta función sólo funciona cuando la modalidad de oscurecimiento en el menú de la unidad maestra esté desactivada, en caso contrario, no ocurrirá nada! Lea más sobre esta opción en el párrafo "Configuración".

- **MAESTRA dispone de 12 espectáculos incorporados:** Puede seleccionar | **SH 0** (espectáculo 0) a **SH11** (espectáculo 11) directamente en el menú de la unidad maestra.
- **ESCLAVA dispone de 2 opciones de funcionamiento:** Las otras unidades se ajustan en modalidad esclava (el LED de esclava está constantemente encendido). Para crear un gran espectáculo luminoso, puede introducir movimientos de contraste → En el menú de las unidades esclavas, puede ir a la opción **SLnd** y seleccionar:
 - o **SL 1** → **Esclava normal:** la unidad esclava funciona en sincronización con la maestra.
 - o **SL 2** → **Espectáculo de 2 luces:** la unidad esclava funciona en oposición a la maestra.
 - o **SL 3** → **3 light show:** seleccionar esto si se utilizan varias unidades.
 - o **SL 4** → **4 light show:** seleccionar esto si se utilizan varias unidades.

MEDIANTE CONTROLADOR FÁCIL:

Cuando se utiliza en modalidad maestra/esclava, le recomendamos encarecidamente que utilice el "controlador fácil" CA-8. Conecte este pequeño controlador al jack de 1/4" de la unidad maestra y podrá controlar las siguientes **FUNCIONES:**

Standby	Blackout		
Function	1. Estrobo 2. Estrobo sincronizado sobre la música 3. Estrobo desincronizado de la música	seleccionar un programa	Velocidad 1. Rápido 2. Middle 3. Lento
Mode	(LED apagado)	(LED encendido)	(LED strobe)



MANTENIMIENTO

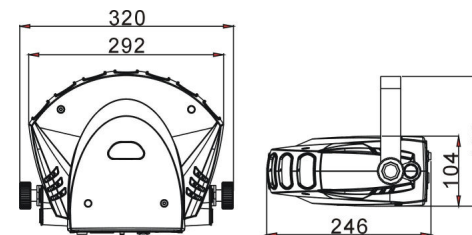
- Asegúrese de que debajo de la zona del lugar de instalación no haya personas durante el mantenimiento.
- Apague la unidad, desenchufe el cable de red y espere hasta que la unidad se haya enfriado.
- **Durante la inspección deberá comprobar los siguientes puntos:**
 - Todos los tornillos utilizados para instalar el dispositivo y cualquiera de sus piezas deberán apretarse firmemente y no corroerse.
 - Las carcasas, las fijaciones y los puntos de instalación (techo, suspensiones) no deberán presentar ninguna deformidad.
 - Cuando una lente óptica esté visiblemente dañada por grietas o rasguños profundos, deberá ser reemplazada.
 - Los cables de red deberán estar en perfecto estado y deberán reemplazarse inmediatamente incluso si el problema detectado es pequeño.
 - Para proteger al aparato del sobrecalentamiento, las aletas de refrigeración (si las hubiera) y las aberturas de ventilación deberán limpiarse mensualmente.
 - El interior del dispositivo deberá limpiarse anualmente mediante una aspiradora o chorro de aire.

- La limpieza de las lentes internas y externas y/o espejos deberá llevarse a cabo periódicamente para optimizar la emisión luminosa. La frecuencia de limpieza depende del entorno en el que funcione el aparato: los ambientes húmedos, con humo o especialmente sucios pueden provocar una mayor acumulación de suciedad en los elementos ópticos del aparato.
 - Limpie con un paño suave utilizando productos de limpieza de cristales normales.
 - Seque siempre las piezas con cuidado.
 - Limpie los elementos ópticos externos al menos una vez cada 30 días.
 - Limpie los elementos ópticos internos al menos una vez cada 90 días.

Atención: ¡Le recomendamos encarecidamente que la limpieza interna sea llevada a cabo por personal cualificado!

ESPECIFICACIONES

Entrada de red:	AC 100V - 240V, 50Hz/60Hz
Max. capacidad de enlace entradas/salidas IEC:	90 unidades
Consumo de energía:	12 W
Fusible:	250V T6,3A lento (20 mm cristal)
Control de sonido:	Micrófono interno
Conexiones DMX:	3 clavijas XLR macho / hembra
Canales DMX utilizados:	Canales 1/3/9/28
Lámpara:	84 LEDs (R=21 + G=21 + B=21 + W=21):
Tamaño:	246 x 320 x 192 mm
Peso:	2 kg



Toda la información está sujeta a cambios sin previo aviso
 Puede descargar la última versión de este manual de usuario en nuestra página Web:
www.beglec.com

MANUAL DO UTILIZADOR

Obrigado por ter adquirido este produto da JB Systems®. De modo a tirar total proveito das possibilidades deste produto, por favor leia este manual com atenção.

CARACTERÍSTICAS

Esta unidade está protegida contra interferências rádio. Este produto cumpre as exigências impostas pelas presentes directivas nacionais e europeias. A conformidade deste produto foi comprovada e as declarações e documentos relevantes foram efectuados pelo fabricante.

- Esta unidade destina-se a produzir efeitos luminosos decorativos e é utilizada em sistemas de espectáculos de luz.
- Um efeito de luz em Leds muito potente e atractivo
- Baseado em 7 grupos de Leds com 84 Leds de alta potência (Vermelho=21 + Verde=21 + Azul=21 + Branco=21):
 - Cores extremamente brilhantes comparadas com efeitos de lâmpadas de halogéneo
 - Mais efeitos dinâmicos comparados com efeitos de lâmpadas de halogéneo
 - Feixes muito aguçados tipo laser de várias cores (branco, azul, vermelho e verde).
 - Sem substituição de lâmpadas!
 - Usa LEDs com uma duração de vida muito longa!
 - Virtualmente sem produção de calor
 - Consumo muito baixo de potência: 12 Watt!
 - Peso leve (sem transformadores de lâmpadas)
- Controlo de intensidade 0-100% e função strobe ultra rápida.
- Excelentes programas incorporados para espectáculos de luz maravilhosos:
 - Controlo DMX: Modo de 1, 3, 9 ou 28 canais DMX para controlo total dos 7 grupos de LEDs
 - Autónomo: activado por som com microfone interno
 - Master/Slave: espectáculos maravilhosos sincronizados
- Disponível comando remoto opcional CA-8
- Tomadas de entrada/saída de corrente IEC: ligação em série da corrente eléctrica até uma máximo de 90 unidades, usando os cabos opcionais IEC.
- Visor com 4 dígitos
- Com um suporte central opcional (CPB-4) para que 4 unidades possam ser montadas juntas para obter um efeito central fantástico em Leds!

ANTES DE UTILIZAR

- Antes de utilizar esta unidade verifique se existem danos provocados durante o transporte. Caso existam danos aparentes, não utilize a unidade e contacte o seu revendedor.
- **Importante:** Esta unidade deixou a nossa fábrica em perfeitas condições e devidamente embalada. É imprescindível que o utilizador siga as instruções de segurança e avisos descritos neste manual. Quaisquer danos provocados por utilização incorrecta não serão cobertos pela garantia. O revendedor não será responsável por quaisquer danos ou problemas causados pelo incumprimento das instruções deste manual.
- Guarde este manual num local seguro para consulta futura. Caso venda esta unidade, forneça este manual.

Verifique o conteúdo:

Certifique-se que a caixa contém os seguintes artigos:

- Manual do utilizador
- Unidade TAURUS
- Cabo de alimentação
- Suporte para suspensão

INSTRUÇÕES DE SEGURANÇA:



CAUTION
RISK OF ELECTRIC SHOCK
DO NOT OPEN



ATENÇÃO: De forma a evitar o risco de choque eléctrico, não remova peças da unidade. Não tente fazer reparações. Contacte pessoal qualificado



O símbolo composto por um triângulo equilátero com um relâmpago no interior alerta para a presença de voltagem perigosa não isolada no interior do produto que poderá constituir risco de choque eléctrico.



O símbolo composto por um triângulo equilátero com um ponto de exclamação alerta o utilizador para a presença de instruções importantes de utilização e manutenção do produto.



Este símbolo significa: utilização unicamente em espaços fechados



Este símbolo significa: Leia instruções

- Proteja o ambiente. Recicle o material desta embalagem.
- Os efeitos luminosos novos podem por vezes produzir algum fumo e/ou cheiro desagradável. Esta situação é normal e temporária.
- De modo a evitar risco de fogo ou choque eléctrico, não exponha este produto a chuva ou humidade.
- De forma a evitar a formação de condensação no interior da unidade, ao transportá-la para ambiente quente aguarde algum tempo de modo a que haja uma ambientação à temperatura. A condensação poderá afectar o desempenho da unidade ou até danificá-la.
- Esta unidade destina-se unicamente a utilização em espaços fechados.
- Não introduza objectos de metal nem verta líquidos no interior do produto, correrá risco de choque eléctrico ou poderá danificar o produto. Caso algum objecto estranho entre em contacto com o interior da unidade, desligue-a de imediato da corrente.
- Coloque esta unidade num local arejado, afastado de materiais inflamáveis e/ou líquidos. Esta unidade deverá ser instalada a pelos menos 50cm de distância de paredes circundantes.
- Não cubra os orifícios de ventilação ou a unidade poderá superaquecer.
- Evite locais com poeiras. Limpe a unidade regularmente.
- Mantenha esta unidade fora do alcance das crianças.
- Esta unidade deverá ser operada unicamente por pessoas experientes.
- Temperatura ambiente de funcionamento máxima é de 40°C. Não utilize esta unidade a temperaturas ambientes mais elevadas.
- Certifique-se de que não irão passar pessoas sob a área de instalação da unidade durante a instalação e manutenção.
- Desligue sempre a unidade da corrente quando não a utilizar durante longos períodos de tempo ou de efectuar manutenção.
- A instalação eléctrica deve ser efectuada unicamente por pessoal qualificado, cumprindo os regulamentos de segurança em instalações eléctricas e mecânicas do seu país.
- Certifique-se que a voltagem a utilizar não é superior à voltagem indicada no painel traseiro da unidade.
- O cabo de alimentação deverá estar sempre em perfeitas condições. Desligue a unidade e substitua imediatamente o cabo caso este apresente algum dano. Deverá ser substituído pelo fabricante, pelo agente autorizado ou pessoal qualificado de modo a evitar um acidente.
- Nunca permita que este cabo entre em contacto com outros cabos!
- Esta unidade deverá estar ligada à Terra de forma a respeitar as regras de segurança.
- Não ligue a unidade a reguladores de intensidade.
- Utilize sempre um cabo de segurança aprovado ao instalar a unidade.
- De forma a não correr risco de choque eléctrico não abra a cobertura da unidade. Não existem peças que possam ser substituídas pelo utilizador.
- **Nunca** repare um fusível nem tente operar a unidade sem fusível. Substitua **sempre** um fusível danificado por outro com as mesmas características!
- Em caso de problemas sérios de funcionamento, interrompa a utilização da unidade e contacte imediatamente o seu revendedor.
- A cobertura e as lentes deverão ser substituídas caso apresentem danos visíveis.
- Caso seja necessário transportar a unidade utilize a embalagem original.
- Por motivos de segurança, são proibidas quaisquer alterações não autorizadas à unidade.

Importante: Não utilize este efeito luminoso na presença de pessoas epilépticas.

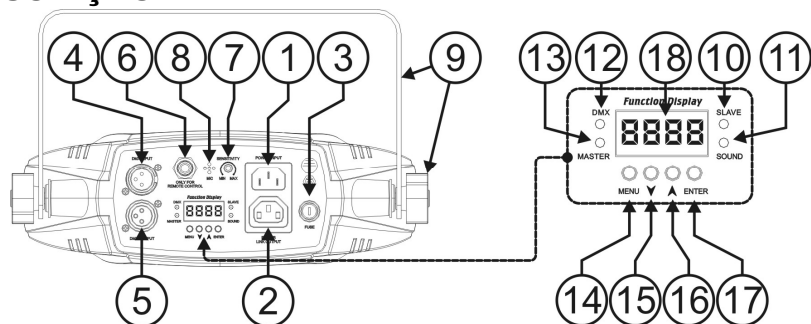
INSTALAÇÃO EM SUSPENSÃO

- **Importante:** A instalação deve ser efectuada unicamente por pessoal qualificado. Uma instalação incorrecta pode resultar em ferimentos graves e/ou danos na sua propriedade. Para efectuar uma instalação em suspensão é necessária muita experiência! Respeite os limites de carga, utilize materiais de instalação aprovados e inspeccione a unidade instalada regularmente de forma a assegurar a segurança.
- Certifique-se que sob a área de instalação da unidade não irão passar pessoas durante a instalação e manutenção.
- Coloque esta unidade num local arejado, afastada de materiais inflamáveis e/ou líquidos. Esta unidade deverá ser instalada a **pelos menos 50cm** de distância de paredes circundantes.
- A unidade deve ser instalada fora do alcance das pessoas; afastada de áreas onde as pessoas possam passar ou sentar-se.
- Antes de proceder à instalação certifique-se que a área seleccionada pode suportar uma carga mínima de 10 vezes o peso da unidade.
- Na instalação, utilize sempre um cabo de segurança aprovado com capacidade para suportar 12 vezes o peso da unidade. Esta medida de segurança secundária deverá ser instalada de forma a que nenhuma parte da instalação possa cair mais de 20cm caso o ponto de apoio principal ceda.
- A unidade deverá ser fixa firmemente. Uma instalação oscilante pode ser perigosa e não deverá ser efectuada!
- Não cubra os orifícios de ventilação ou a unidade poderá sobreaquecer.
- O utilizador da unidade deverá certificar-se que a instalação é aprovada em termos de segurança e em termos técnicos por uma pessoa qualificada antes de efectuar a primeira utilização. A instalação deverá ser inspeccionada todos os anos por um técnico qualificado de forma a certificar-se que a segurança está assegurada.

COMO CRIAR UM EFEITO CENTRAL

Com o suporte central opcional CPB-4 pode fazer uma fantástica combinação de 4 unidades TAURUS. Isto resulta num soberbo efeito central, um efeito a ter se desejar um efeito único atractivo e potente!

DESCRIÇÃO:



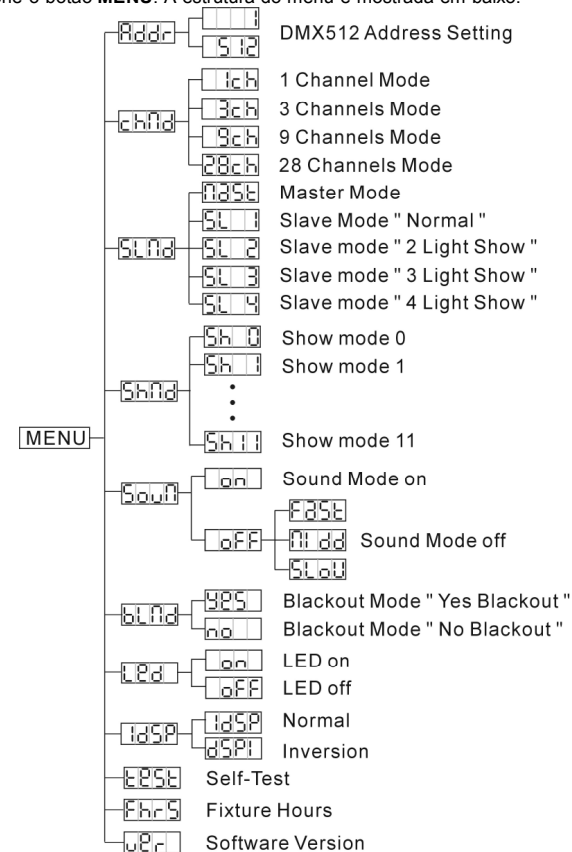
1. FONTE DE ALIMENTAÇÃO: Conector IEC. Ligue o cabo de alimentação fornecido a este conector
2. Saída de alimentação com conector IEC: pode usar um cabo de alimentação especial IEC para conectar esta saída com a entrada do próximo TAURUS para uma fácil ligação em série. (um máximo de 90 unidades podem ser conectadas)
3. Suporte de fusível
4. Conector entrada de DMX
5. Conector saída de DMX
6. Entrada jack de 1/4" para conectar o comando opcional CA-8
7. Controlo de sensibilidade do microfone interno.
8. Microfone interno

9. Suporte de suspensão: Contém 2 parafusos de aperto em ambos os lados para fixar a unidade e um orifício para aplicação de um gancho de montagem.
10. Slave LED: está aceso quando a unidade está em modo Slave
11. Sound LED: pisca ao ritmo da música quando a unidade está em modo áudio.
12. DMX LED: está aceso quando a unidade recebe sinal DMX
13. Master LED: está aceso quando a unidade está em modo Master
14. Botão MENU: usado para escolher as diferentes opções dos menus
15. Botão DOWN: para voltar atrás no menu e para baixar os valores mostrados no visor.
16. Botão UP: para subir no menu e para aumentar os valores mostrados no visor.
17. Botão ENTER: usado para confirmar as suas escolhas.
18. Visor: mostra os vários menus e as funções seleccionadas.

CONFIGURAR

MENU PRINCIPAL:

- Para seleccionar qualquer das opções do menu, pressione o botão **MENU** até que a desejada seja mostrada no visor.
- Confirme a função com o botão **ENTER**. O visor irá piscar.
- Use os botões **DOWN** (baixo) e **UP** (cima) para escolher a opção desejada.
- Assim que a opção desejada esteja seleccionada, pressione o botão **ENTER** para seleccionar. Após 8 segundos, o menu irá retornar às funções sem qualquer alteração. Para retornar às funções sem qualquer alteração pressione o botão **MENU**. A estrutura do menu é mostrada em baixo.



Addr **Configuração endereços DMX512**

Usado para definir o endereço inicial numa configuração DMX.

- Pressione o botão **MENU** até que **Addr** seja mostrado no visor
- Pressione **ENTER** e o visor irá piscar.
- Utilize os botões **UP** e **DOWN** para alterar o endereço DMX512.

Após seleccionar o endereço, pressione **ENTER** para confirmar o endereço DMX ou voltará automaticamente às funções principais sem alterações 8 segundos depois. Para voltar às funções sem efectuar alterações pressione **MENU** novamente durante 2 segundos.

ChNd **Modo Canal**

- Pressione o botão **MENU** até que **ChNd** seja mostrado no visor.
- Pressione o botão **ENTER**, o visor começa a piscar.
- Use os botões **DOWN** e **UP** para seleccionar um dos modos de canal disponíveis
- Assim que o modo esteja seleccionado, pressione o botão **ENTER** para configurar (ou automaticamente retornar às funções principais após 8 segundos. Para voltar às funções sem efectuar alterações pressione **MENU** novamente durante 2 segundos.

SLNd **Modo Slave**

Usado para colocar a unidade em modo Master ou Slave

- Pressione o botão **MENU** até que seja **SLNd** mostrado no visor.
- Pressione o botão **ENTER**, o modo de funcionamento corrente começa a piscar no visor.
- Use os botões **DOWN** e **UP** para seleccionar **MAST** (master) ou um dos 4 modos Slave: **SL1** → **SL4**.

Após seleccionar o modo, pressione **ENTER** para confirmar ou voltará automaticamente às funções principais sem alterações 8 segundos depois. Para voltar às funções sem efectuar alterações pressione **MENU** novamente durante 2 segundos.

Notas: Quando apenas uma unidade é usada, deverá escolher sempre modo Master.

ShNd **Modo Show**

Usado para escolher um dos espectáculos programados quando usado em modo autónomo ou master/slave.

- Pressione o botão **MENU** até que **ShNd** seja mostrado no visor.
- Pressione o botão **ENTER**, o espectáculo corrente começa a piscar no visor.
- Use os botões **Down** e **Up** para seleccionar um dos 12 espectáculos programados: **SH 0** (todos os programas executados em modo aleatório) to **SH11** (show 11)
- Após seleccionar o modo, pressione **ENTER** para confirmar ou voltará automaticamente às funções principais sem alterações 8 segundos depois. Para voltar às funções sem efectuar alterações pressione **MENU** novamente durante 2 segundos.

SOUN **Sound Mode**

Usado para escolher o modo de som desejado para activar os programas.

- Pressione o botão **MENU** até que **SOUN** seja mostrado no visor.
- Pressione o botão **ENTER**, o visor começa a piscar.
- Use os botões **DOWN** e **UP** para seleccionar **on** ou **off**:
 - **on** (sound mode ON) → os programas são activados pelo microfone interno.
 - **off** (sound mode OFF) → os programas são activados pela velocidade seleccionada com os programas. Quando você seleccionar este modo e pressione a tecla Enter, então você pode seleccionar a velocidade: **FAST** (rápido), **Med** (médio) ou **Slow** (lento)

Assim que o modo esteja seleccionado, pressione o botão **ENTER** para configurar (ou automaticamente retornar às funções principais após 8 segundos)

Para voltar às funções sem efectuar alterações pressione **MENU** novamente durante 2 segundos.

BLNd **Modo Blackout**

Modo Blackout: Quando o sinal DMX não é detectado, a unidade entra em blackout

Sem modo blackout: Quando o sinal DMX não é detectado, a unidade automaticamente muda para o modo Master.

Coloque SEMPRE para “No Blackout” quando a unidade é usada em modo master (ou master/slave)!!!

- Pressione o botão **MENU** até que **BLNd** seja mostrado no visor.
- Pressione o botão **ENTER**, o visor irá começar a piscar.
- Utilize os botões **UP** e **DOWN** para seleccionar **N. Bd** (com blackout) ou **n. Bd** (sem blackout).
- Após seleccionar o modo, pressione **ENTER** para confirmar ou voltará automaticamente às funções principais sem alterações 8 segundos depois. Para voltar às funções sem efectuar alterações pressione **MENU** novamente durante 2 segundos.

LEd **Visor de Leds**

Visor on: visor está sempre ligado

Visor off: visor está desligado quando não está a ser usado

- Pressione o botão **MENU** até que **LEd** seja mostrado no visor
- Pressione o botão **ENTER**, o visor irá começar a piscar.
- Utilize os botões **UP** e **DOWN** para seleccionar **on** (LEDs acesos) ou **OFF** (LEDs apagados).
- Após seleccionar o modo, pressione **ENTER** para confirmar ou voltará automaticamente às funções principais sem alterações 8 segundos depois. Para voltar às funções sem efectuar alterações pressione **MENU** novamente durante 2 segundos.

IdSP **Inversão do Visor**

Visor normal: O visor é legível quando a unidade está no chão.

Inversão do Visor: O visor é legível quando a unidade é montada de pernas para o ar.

- Pressione o botão **MENU** até que **IdSP** seja mostrado no visor
- Pressione **ENTER** para mudar para modo **dSP** (visor inversion). A opção será guardada automaticamente 8 segundos depois ou pressione **ENTER** novamente para voltar ao modo “I dSP” (visor normal).

Para voltar às funções sem efectuar alterações pressione **MENU** novamente durante 2 segundos.

TEST **Self-Test**

Executa um programa pré programado de teste

- Pressione o botão **MENU** até que **TEST** seja mostrado no visor
- Pressione o botão **ENTER**, o visor começa a piscar: a unidade corre um programa pré programado de teste.

Para voltar às funções sem efectuar alterações pressione **MENU** novamente durante 2 segundos.

FhrS **Horas da unidade**

Usado para mostrar o numero de horas de trabalho da unidade

- Pressione o botão **MENU** até que **FhrS** comece a piscar no visor.
- Pressione o botão **ENTER** e a unidade irá mostrar o número de horas de funcionamento.

Para voltar às funções sem efectuar alterações pressione **MENU** novamente durante 2 segundos

Ver **Versão do software:**

Usado para mostrar a versão do software da unidade.

- Pressione o botão **MENU** até que **Ver** pisque no visor.
 - Pressione o botão **ENTER** para mostrar a versão do software da unidade.
- Para voltar às funções sem efectuar alterações pressione **MENU** novamente durante 2 segundos

INSTALAÇÃO ELÉCTRICA + CONFIGURAÇÃO

⚠ Importante: A instalação eléctrica deverá ser efectuada apenas por pessoal qualificado, de acordo com as regulações para segurança eléctrica e mecânica no seu país.

Instalação eléctrica para 1 unidade em standalone:

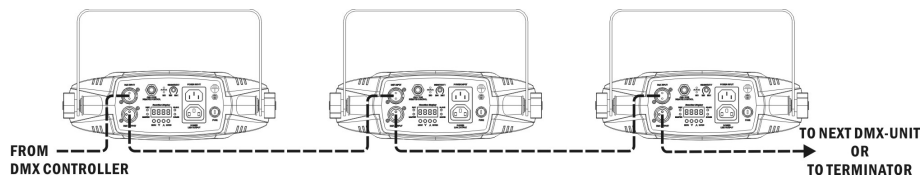
- Insira o cabo de alimentação. A unidade começa a trabalhar imediatamente em modo standalone
- Nota 1:** Pode conectar um comando remoto CA-8 à unidade se desejar ter mais controlo. Consulte a secção "Como utilizar a unidade" para aprender como fazer isto.
- Nota 2:** Se não existir saída, por favor verifique se a unidade está em modo Master Master e defina o modo blackout para "NO" (ver capítulo anterior)

Instalação eléctrica para 2 ou mais unidade em master/slave:

- Conecte de 2 a um máximo de 16 unidades juntas usando cabos de microfone balanceados de boa qualidade. Coloque a primeira unidade da série em modo Master, as restantes deverão ser colocadas em modo Slave (SL1, SL2, SL3 ou SL4). Ver o capítulo anterior para mais informação.
- Verifique se todas as unidades estão ligadas à corrente.
- Pronto!
- Nota:** Pode conectar um comando remoto CA-8 à unidade master se desejar ter mais controlo sobre a operação master/slave.

Instalação eléctrica em modo DMX:

- O protocolo DMX é um sinal de alta velocidade muito usado para controlar equipamento de luz inteligente. Precisa de ligar em série o seu controlador DMX e todas as unidades conectadas com um cabo balanceado de boa qualidade.
 - Ambos os conectores XLR-3 pinos e XLR-5 pinos são usados, mas os de XLR-3 pinos são mais populares porque estes cabos são compatíveis com cabos áudio balanceados.
- Ligação XLR-3pinos: Pino1 = Terra ~ Pino2 = Sinal Negativo (-) ~ Pino3 = Sinal Positivo (+)
- Ligação XLR-5pinos: Pino1 = Terra ~ Pino2 = Sinal Negativo (-) ~ Pino3 = Sinal Positivo (+) ~ Pins4+5 não usados.
- Para prevenir comportamentos estranhos dos efeitos de luz, devido a interferências, pode usar um terminador de 90Ω a 120Ω no final da série. Nunca use cabos divisores Y, isto simplesmente não funciona!
 - Certifique-se que todas as unidades estão ligadas à corrente.



• COMO DEFINIR O ENDEREÇO INICIAL CORRECTO:

Consulte o capítulo anterior (Configuração endereços DMX) para aprender como definir o endereço inicial desta unidade. O endereço inicial de cada unidade é muito importante. Infelizmente é impossível indicar neste manual qual o endereço inicial que deve utilizar porque depende completamente do controlador que irá utilizar... Por isso consulte o manual do seu controlador DMX para descobrir qual o endereço inicial que deverá utilizar.

CONFIGURAÇÃO DMX DO TAURUS:

• MODOS DE CANAL 1:

Ch1	
Function	
250-255	Random show Fast
200-249	Fast
	Slow
15-199	Chase 1-12
0-14	OFF

• MODOS DE CANAL 3:

DMX 512 Configuration						
Ch1	Ch2		Ch3			
Function	Color	Chase	Strobe	Chase Speed		
	Ch1= 0-119	Ch1= 120-239	Ch1= 0-119	Ch1= 120-239		
240-255 Stand Alone	240- 255Color15	250-255 Chase25	Fast	Fast		
	224- 239Color14	240-249 Chase24				
	208-223 Color13	230-239 Chase23				
	192-207 Color12	220-229 Chase22				
	176-191 Color11	210-219 Chase21				
	160-175 Color10	200-209 Chase20				
	144-159 Color9	190-199 Chase19				
	128-143 Color8	180-189 Chase18				
	112-127 Color7	170-179 Chase17				
	96-111 Color6	160-169 Chase16				
120-239 Chase	096-095 Color5	150-159 Chase15	10-255	10-255		
	080-095 Color5	140-149 Chase14				
	064-079 Color4	130-139 Chase13				
	048-063 Color3	120-129 Chase12				
	032-047 Color2	110-119 Chase11				
	016-031 Color1	100-109 Chase10				
	000-015 OFF	090-099 Chase9				
		080-089 Chase8				
		070-079 Chase7				
		060-069 Chase6				
010-119 Color		050-059 Chase5	Slow	Slow		
		040-049 Chase4				
		030-039 Chase3				
		020-029 Chase2				
		010-019 Chase1				
		000-009 OFF				
000-009 Off		0-9			Open	Open
		0-9				
		0-9				
		0-9				
		0-9				
		0-9				
		0-9				
		0-9				
		0-9				
		0-9				

COMO UTILIZAR A UNIDADE

É POSSÍVEL OPERAR A UNIDADE DE 3 FORMAS:

- Através de programas incorporados em modo master/slave
- Através do controlador CA-8
- Através de controlador DMX universal

• ATRAVÉS DE PROGRAMAS INCORPORADOS EM MODO MASTER/SLAVE:

Esta função é útil para quando é necessário um espectáculo instantâneo. Ao ligar as unidades em modo master/slave, a primeira unidade irá controlar as restantes unidades e executar um espectáculo de luz sincronizado automático activado por som. Na sua entrada DMX não será ligado nada, o led Master estará sempre ligado e o led SOUND irá piscar ao ritmo da música.

Importante! Esta função apenas funciona quando o modo Blackout no menu da unidade Master está definido como OFF, de outra forma nada irá acontecer. Saiba mais sobre esta opção no parágrafo "CONFIGURAR"

- **MASTER tem 12 programas incorporados:** Pode escolher SH 0 (show 0) a SH11 (show 11) directamente no menu da unidade Master.
- **SLAVES tem 2 opções de funcionamento:** As outras unidades estão definidas para modo Slave (led SLAVE sempre ligado). Para criar um bom espectáculo de luz pode introduzir movimentos contrários
→ No menu das unidades Slave pode ir à opção **SOUND** e escolher:
 - **SL 1** → **Slave normal:** Unidade Slave funciona sincronizada com a Master.
 - **SL 2** → **programa com 2 efeitos:** Slave funciona em oposto à Master.
 - **SL 3** → **programa com 3 efeitos:** coloque isto em On na unidade 3 quando várias unidades forem usadas.
 - **SL 4** → **programa com 4 efeitos:** coloque isto em On na unidade 4 quando várias unidades forem usadas.

• ATRAVÉS DO CONTROLADOR CA-8:

Quando usado em modo Master/Slave recomendamos vivamente que utilize o controlador CA-8. Conecte este pequeno controlador à entrada jack de ¼" da unidade Master, e irá ser possível controlar as seguintes funções:

FUNÇÕES:

Standby	Blackout the unit		
Function	1. Strobe 2. Strobe sincronizado com o som 3. Strobe dessincronizado com o som	Selecione um Show.	Velocidade 1. Rápido 2. Normal 3. Lento
Mode	(LED apagado)	(LED Aceso)	(LED Strobe)



MANUTENÇÃO

- Certifique-se que sob a área de instalação da unidade não irão passar pessoas durante a manutenção.
- Desligue o cabo de alimentação da corrente e aguarde que a unidade arrefeça.

Durante a inspeção deverá verificar os seguintes pontos:

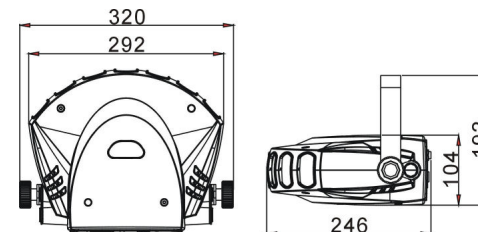
- Todos os parafusos utilizados nas peças da unidade e na instalação deverão estar apertados firmemente e não poderão estar corroídos.
- A cobertura da unidade, os pontos de fixação e as áreas de instalação (tecto, armação, etc.) não deverão apresentar qualquer deformação.
- Caso uma lente apresente danos visíveis como fendas ou riscos profundos, deverá ser substituída imediatamente.
- O cabo de alimentação deverá estar em perfeitas condições e deverá ser substituído assim que for detectado o mais pequeno dano.
- As ventoinhas de arrefecimento (caso existam) e os orifícios de ventilação deverão ser limpos todos os meses de modo a evitar que unidade sobreaqueça.
- Utilize um aspirador ou um compressor de ar para limpar o interior da unidade uma vez por ano.

- De forma a otimizar a projecção de luz, limpe as lentes ópticas internas e externas e/ou espelhos periodicamente. A regularidade das limpezas depende do ambiente em que está instalada a unidade: um ambiente húmido, com fumo ou poeirento dará origem a uma maior acumulação de impurezas nas ópticas da unidade.
 - Utilize um pano macio e um limpa-vidros normal na limpeza da unidade.
 - Seque sempre as peças cuidadosamente.
 - Limpe as ópticas externas pelo menos uma vez em cada 30 dias.
 - Limpe as ópticas internas pelo menos uma vez em cada 90 dias.

Atenção: Recomendamos vivamente que a limpeza do interior da unidade seja efectuada por pessoal qualificado!

ESPECIFICAÇÕES

Fonte de Alimentação:	AC 100V - 240V, 50Hz/60Hz
Capacidade máxima de ligação de entradas/saídas IEC:	90peças
Consumo de potência:	12 Watt
Fusível:	250V T6,3A Fusão Lenta (20mm vidro)
Ligações DMX:	XLR 3 pinos macho / fêmea
Canais DMX usados:	1/3/9/28 canais
Controlo de som:	Microfone interno
Lâmpada:	84 LEDs (R=21 + G=21 + B=21 + W=21)
Dimensões:	246 x 320 x 192 mm
Peso:	2 kg



Estas informações estão sujeitas a alterações sem aviso prévio
Pode fazer download da versão mais recente deste manual no nosso site: www.beglec.com