



STROBE CAN

PR-2288

This product manual contains important information about the safe installation and use of this luminaire. Please read and follow these instructions carefully and keep this manual in a safe place for future reference.

PR LIGHTING LTD.

No.571,Yingbin Road, Dashi Panyu, Guangzhou, 511430 China

<http://www.pr-lighting.com>

INDEX

SAFE USAGE OF THE LUMINAIRE	2
INSTALLING THE UNIT	3
FITTING THE LAMP	4
DEDICATED CONTROLLER MODE	4
MAINTENANCE	5
KEEPING THE UNIT CLEAN	5
TROUBLESHOOTING	5
TECHNICAL DATA	6
ELECTRICAL DIAGRAM	6

Please note that as part of our ongoing commitment to continuous product development, specifications are subject to change without notice. Whilst every care is taken in the preparation of this manual we reserve the right to change specifications in the course of product improvement. The publishers cannot be held responsible for the accuracy of the information herein, or any consequence arising from them.

Every apparatus is tested completely and packed properly by the manufacturer. Please make sure the packing and / or the apparatus is in good condition before your installation and use. Should there be any damage caused by transportation, consult your dealer and do not use the apparatus. But any damage caused by improper use will not be assumed by the manufacturer and / or dealer.

ACCESSORIES

THESE ITEMS ARE PACKED TOGETHER WITH THE UNIT

- Mounting Bracket (1 PCS)
- M6 Knob for mounting bracket (2 PCS)
- Dedicated controller PR-1388 or PR-1389 (Optional)
- This manual (1 PCS)

INTRODUCTION

Thank you for purchasing the product Strobe Can, PR-2288.

The Strobe Can adopts advanced design and manufacturing and it complies to CE norms and standards. The cover is made from high intensity and heat-resistant complex plastic. The structure design is simple and portable. The unit is convenient to be hung and the angle of the body is easy to be adjusted. The Strobe Can may be used as a stand-alone unit, or linked to a dedicated controller. The strobe speeds of the luminaire may reach 20 flashes per second and the strobe speeds can be adjusted, so it is suitable for use in stage, disco, night club, artistic applications and so on.

SAFE USAGE OF THE LUMINAIRE

When unpacking and before disposing of the carton check there is no transportation damage before using the unit. Should there be any damage caused by transportation, consult your dealer and do not use the apparatus.

The unit is for Indoor use only, IP20. Use only in dry locations. Keep this device away from rain and moisture, excessive heat, humidity and dust. Do not allow contact with water or any other fluids, or metallic objects.

The projector is not designed or intended to be mounted directly on to inflammable surfaces.



The unit is only intended for installation, operation and maintenance by qualified personnel.

High voltage Inside the luminaire. **Avoid shock hazard.**

The unit must be installed in a location with adequate ventilation, at least 50cm from adjacent surfaces. Be sure that no ventilation slots are blocked.

Do not project the beam onto inflammable surfaces, minimum distance is 3m. ⚠ 3m ⚠

Avoid direct exposure to the light from the lamp. The light is harmful to the eye.

Do not attempt to dismantle and / or modify the luminaire in any way.

Electrical connection must only be carried out by qualified personnels.

Before installation, ensure that the voltage and frequency of power supply match the power requirements of the unit.

It is essential that each unit is correctly earthed and that electrical installation conforms to all relevant standards.

Do not connect this device to any dimmer pack.

Make sure that the power-cord is never crimped or damaged by sharp edges. Never let the power-cord come into contact with other cables. Only handle the power-cord by the plug. Never pull out the plug by tugging the power-cord.

The luminaire can not be used continuously over 15 minutes under maximum speed. The lamp used in this projector is a discharge and high voltage lamp. After being switched off don't attempt to restart the projector until lamp has cooled, this will require approx 15 minutes. Switching the lamp on and off at short intervals will reduce the life of both the lamp and the projector. But occasional breaks will prolong the life of the lamp and projector.

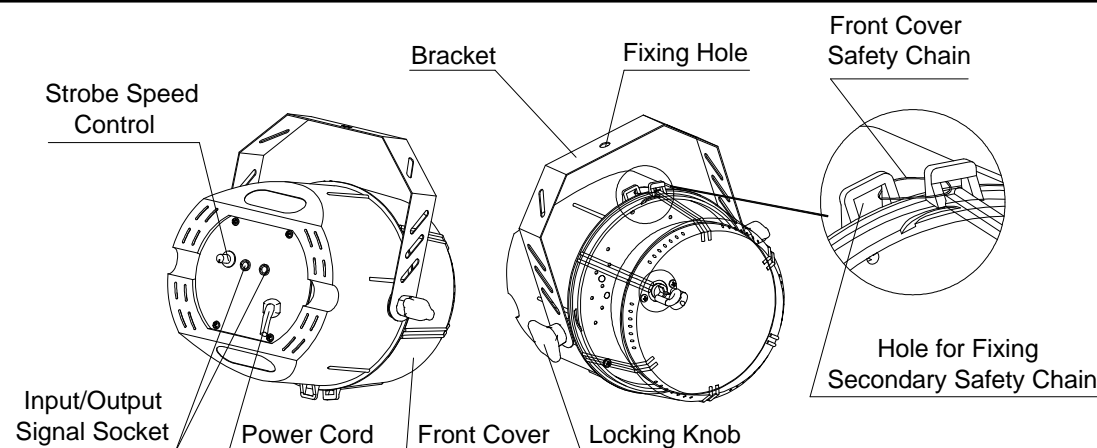
Never run the luminaire without a lamp.

There are no user serviceable parts inside the unit, do not open the housing and never operate the unit with the covers removed.

Always disconnect from the mains, when the device is not in use or before cleaning it or before attempting any maintenance work.

If you have any questions, don't hesitate to consult your dealer.

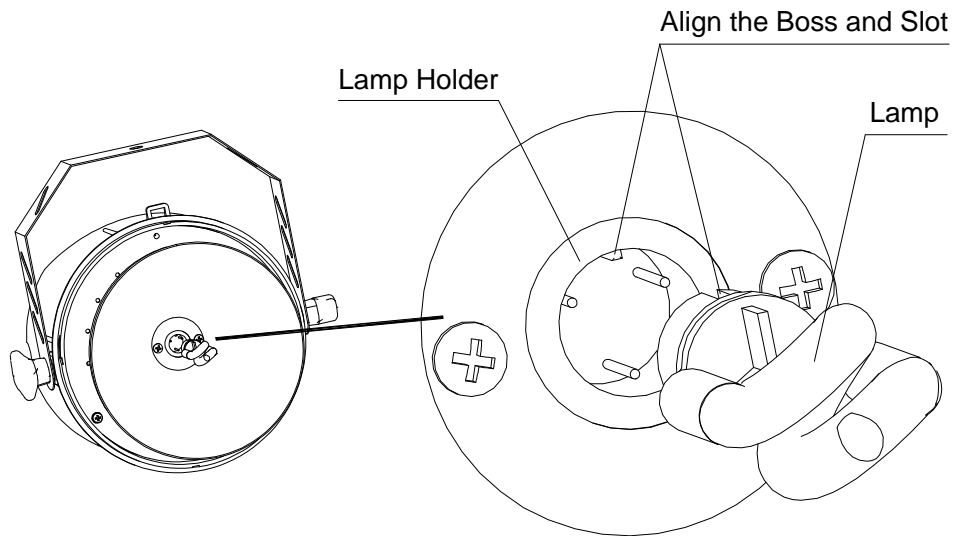
INSTALLING THE UNIT



This unit has been designed to be hung. Mount the bracket provided on the body of the unit by 2 M6 locking knobs provided, then suspend the unit via its bracket using a M10 size bolt through the fixing hole. When you want to adjust the angle of the body of the unit, you only loosen the two M6 knobs carefully and then adjust the angle of the body. After finishing that, it is recommended that you don't forget to retighten the two knobs. Always ensure that the unit is firmly positioned to avoid vibration and slipping, and always ensure that the structure to which you are attaching the unit is secure and is able to support a weight of 1.5Kg for each Strobe Can.

For safety the unit and the front cover should have secondary fixing with a safety cable through the hole as shown in the figure above.

FITTING THE LAMP



First, remove the front cover and then plug the lamp into the lamp-holder. When installing, hold the screw part of the lamp and let the slot of the lamp align the boss of the lamp-holder before plug the lamp completely.

Note: Never touch new lamps with your bare fingers; use a tissue or a cloth. Before removing blown lamp, ensure that the unit is sufficiently cool.

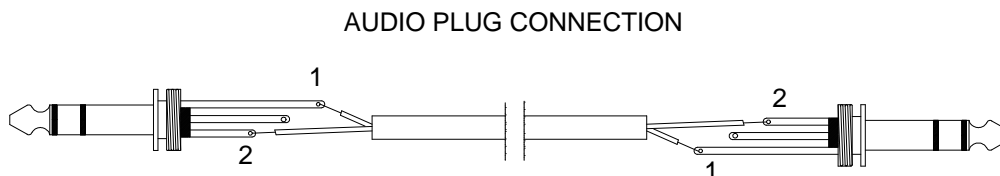
The BH 0647 is high voltage lamp. Care should always be taken when handling these lamps. Always read the manufacturers "Instructions for use" enclosed with the lamp.

DEDICATED CONTROLLER MODE

You can use the controller PR-1388 and PR-1389 produced in our company to control many luminaires. (The dedicated controller PR-1388 and PR-1389 are optional for the customers. For detail about the controllers, please refer to relative "user's manual")

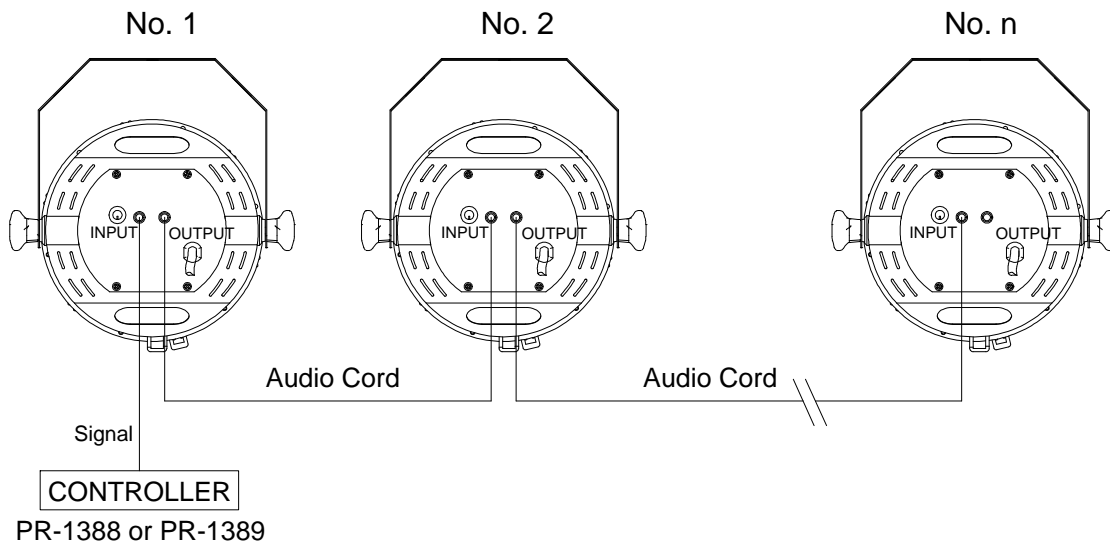
AUDIO PLUG CONNECTING

Connecting the controller with the luminaire and the luminaire with the luminaire is the audio plug cord. It is shown in the figure below.



CONNECT THE CONTROLLER AND UNITS

Connect the controller's output to the first fixture's input, and connect the first fixture's output to the second fixture's input. The rest may be deduced by analogy.



MAINTENANCE

If the lamp becomes damaged or deformed in any way it must be replaced. If the light from the lamp appears dim this would normally indicate that it is reaching the end of its life and it should be changed at once, old lamps run to the extremity of their life can explode. If the luminaire does not function, check the fuse on the main PCB inside the unit, it should only be replaced by fuse of the same specified value 2A/250V (fast blow, 5mmx20mm). Should it be damaged call a qualified technician before replacement.

Any maintenance work should only be carried out by a qualified technician.

KEEPING THE UNIT CLEAN

Cleaning frequency depends on the environment in which the fixture operates: damp, smoke or particularly dirty surroundings can cause greater accumulation of dirt on the unit's optics. A soft cloth and typical glass cleaning products should be used in cleaning. It is recommended to clean the reflector at least once every 20 days

Do not use any organic solvent, e.g. alcohol, to clean the housing of the unit.

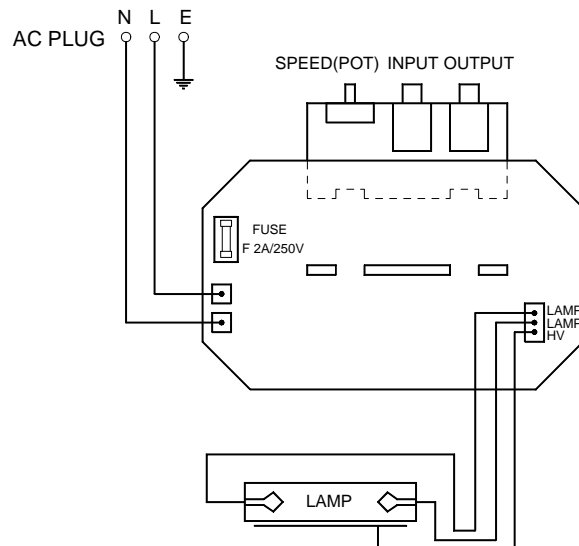
TROUBLESHOOTING

PROBLEM	RESOURCE
The luminaire does not start	Check the power fuse is blown or not. Check if the lamp is good or not.
The luminaire switches on but does not answer to commands	Check the audio cable is good.
The beam appears dim	Check the lamp is not at the end of its life.

TECHNICAL DATA

Power supply:	230V AC 50Hz
Optional:	240V, 220V, 120V AC 50/60Hz
Power consumption:	30W at 220V
Lamp:	16W BH 0647
	Manufactures Rated Lamp Life: 250 Hours
Strobe speeds	1-17 F.P.S. (Adjustable)
Signal:	Analogue signal
Running mode:	Stand-Alone mode, Dedicated Controller PR-1388 or PR-1389 mode
Dimensions:	240mm LONG x 200mm WIDE x 200mm HIGH
(Including Bracket)	240mm LONG x 245mm WIDE x 260mm HIGH
Net weight:	1.5kg

ELECTRICAL DIAGRAM



PR LIGHTING LTD.

No. 571, Yingbin Road, Dashi, Panyu, Guangzhou, China
Post-Code: 511430
TEL: +86-20-8478 1888
FAX: +86-20-8478 6023

P/N: 320030041
Last Revision: 10:04:2004