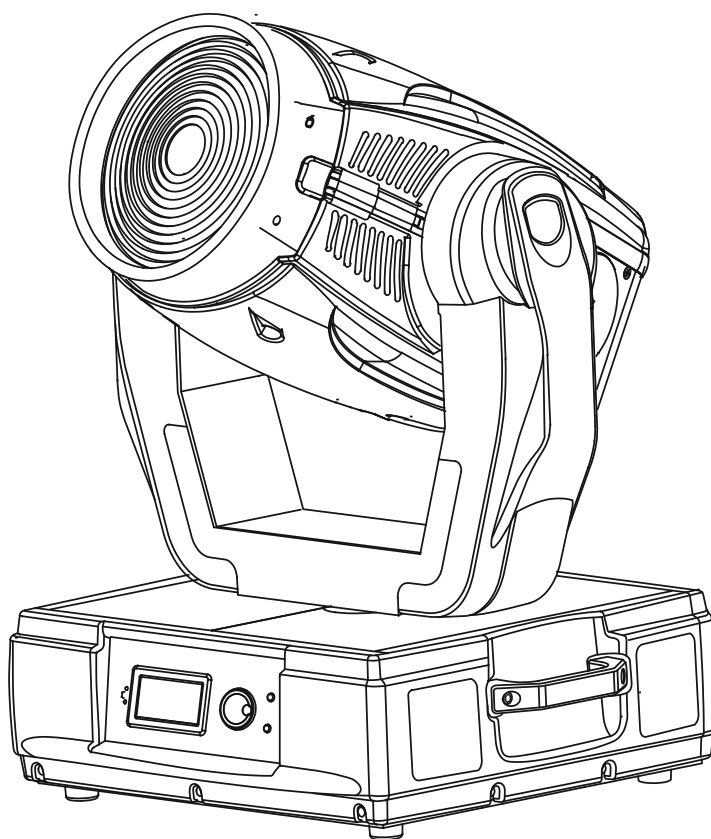

ROBE.

Color Wash **575E**^{AT} Zoom



at series

Version 1.4

USER MANUAL

ROBE® Lighting s.r.o. • Czech republic • www.robe.cz

ColorWash 575E AT Zoom

Table of contents

1. Safety instructions	3
2. Operating determinations	4
3. Description of the device	5
4. Installation	6
4.1 Fitting the lamp.....	6
4.2 Lamp adjustment	7
4.3 Inserting/Exchanging colours	7
4.4 Connection to the mains	8
4.5 Changing the power supply settings	8
4.6 Changing the front lens	9
4.7 Installing top hats	9
4.8 Rigging the fixture	10
4.9 DMX-512 connection.....	12
4.10 Ethernet connection	13
5. ColorWash 575E AT Zoom - DMX Protocol-version 1.0	15
6. Controller mode	18
6.1 DMX addressing.....	18
6.2 Remotely controllable functions	18
7. Control menu map	19
8. Control menu	23
8.1 Fixture Address	23
8.2 Fixture information	23
8.3 Personality	24
8.4 Lamp On/Off	26
8.5 Test sequences.....	26
8.6 Manual mode	26
8.7 Stand-alone setting	26
8.8 Reset functions	27
8.9 Special functions	27
9. Power down mode	28
10. RDM	29
11. Error and information messages	30
12. Technical specifications	31
13. Maintenance and cleaning	34

CAUTION!
Keep this device away from rain and moisture!
Unplug mains lead before opening the housing!

**FOR YOUR OWN SAFETY, PLEASE READ THIS USER MANUAL CAREFULLY
BEFORE YOU INITIAL START - UP!**

1. Safety instructions

Every person involved with installation and maintenance of this device have to:

- be qualified
- follow the instructions of this manual

CAUTION!
Be careful with your operations.
With a high voltage you can suffer
a dangerous electric shock when touching the wires!

This device has left our premises in absolutely perfect condition. In order to maintain this condition and to ensure a safe operation, it is absolutely necessary for the user to follow the safety instructions and warning notes written in this manual.

Important:

The manufacturer will not accept liability for any resulting damages caused by the non-observance of this manual or any unauthorized modification to the device.

Please consider that damages caused by manual modifications to the device are not subject to warranty.

Never let the power-cord come into contact with other cables! Handle the power cord and all connections with the mains with particular caution!

Make sure that the available voltage is not higher than stated on the rear panel.

Always plug in the power plug last. Make sure that the power-switch is set to OFF-position before you connect the device to the mains. The power plug has to be accessible after installing the device.

Make sure that the power-cord is never crimped or damaged by sharp edges. Check the device and the power-cord from time to time.

Always disconnect from the mains, when the device is not in use or before cleaning it. Only handle the power-cord by the plug. Never pull out the plug by tugging the power cord.

This device falls under protection class I. Therefore it is essential to connect the yellow/green conductor to earth.

The electric connection, repairs and servicing must be carried out by a qualified employee.
Do not connect this device to a dimmer pack.

Do not switch the fixture on and off in short intervals as this would reduce the lamp's life.

During the initial start-up some smoke or smell may arise. This is a normal process and does not necessarily mean that the device is defective.

Do not touch the device's housing bare hands during its operation (housing becomes hot)!
For replacement use lamps and fuses of same type and rating only.

CAUTION ! EYEDAMAGES !
Avoid looking directly into the light source
(meant especially for epileptics) !

2. Operating determinations

This device is a moving-head for creating decorative effects and was designed for indoor use only.

If the device has been exposed to drastic temperature fluctuation (e.g. after transportation), do not switch it on immediately. The arising condensation water might damage your device. Leave the device switched off until it has reached room temperature.

Never run the device without lamp!

Do not shake the device. Avoid brute force when installing or operating the device.

Never lift the fixture by holding it at the projector-head, as the mechanics may be damaged. Always hold the fixture at the transport handles.

When choosing the installation-spot, please make sure that the device is not exposed to extreme heat, moisture or dust. There should not be any cables lying around. You endanger your own and the safety of others!

The minimum distance between light output and the illuminated surface must be more than 2 meters.

Make sure that the area below the installation place is blocked when rigging, derigging or servicing the fixture.

Always fix the fixture with an appropriate safety rope. Fix the safety rope at the correct holes only.

Only operate the fixture after having checked that the housing is firmly closed and all screws are tightly fastened.

The lamp must never be ignited if the objective-lens or any housing-cover is open, as discharge lamps may explode and emit a high ultraviolet radiation, which may cause burns.

The maximum ambient temperature 40°C must never be exceeded. Otherwise, the lamp is switched off and the fixture is out of operation for 5 minutes.

CAUTION!

The lens has to be replaced when it is obviously damaged, so that its function is impaired, e. g. due to cracks or deep scratches!

Operate the device only after having familiarized with its functions. Do not permit operation by persons not qualified for operating the device. Most damages are the result of unprofessional operation!

CAUTION!

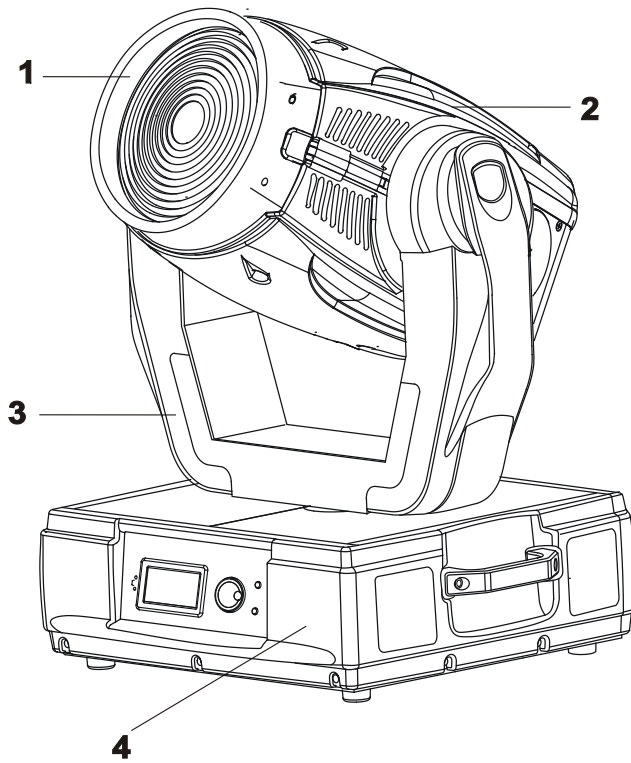
The lamp has to be replaced when it is damaged or deformed due to the heat!

Please use the original packaging if the device is to be transported.

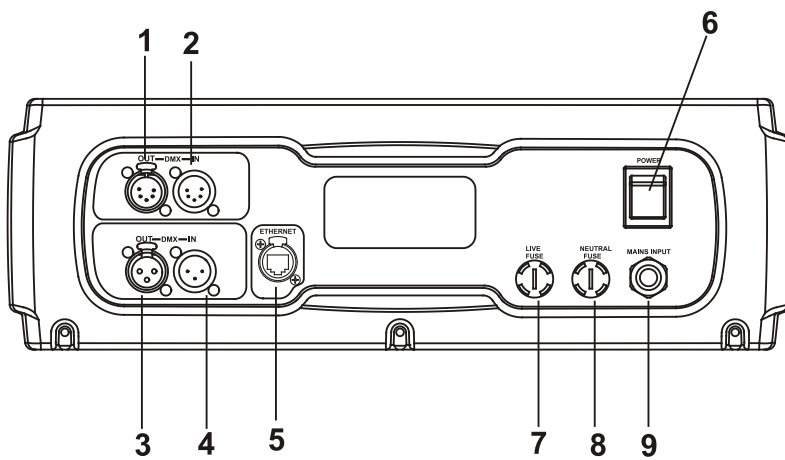
Please consider that unauthorized modifications on the device are forbidden due to safety reasons!

If this device will be operated in any way different to the one described in this manual, the product may suffer damages and the guarantee becomes void. Furthermore, any other operation may lead to dangers like short-circuit, burns, electric shock, burns due to ultraviolet radiation, lamp explosion, crash etc.

3. Description of the device

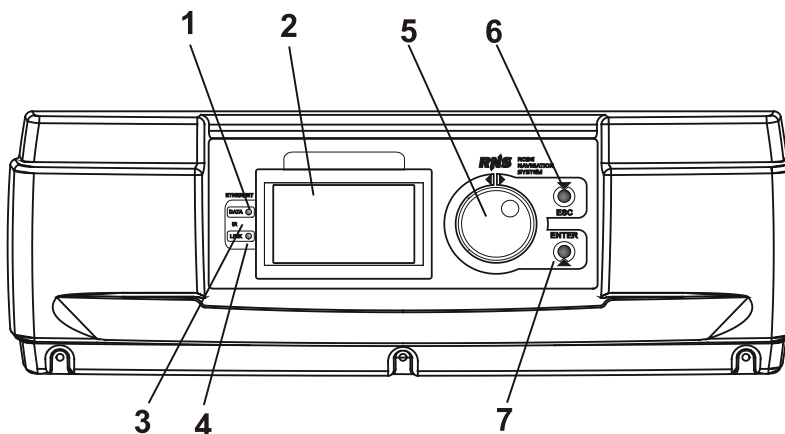


- 1 - Front lens
- 2 - Moving head
- 3 - Yoke
- 4 - Base



Rear panel of the base:

- 1 - 5-pin DMX output
- 2 - 5-pin DMX input
- 3 - 3-pin DMX output
- 4 - 3-pin DMX input
- 5 - Ethernet input
- 6 - Power switch
- 7 - Fuse holder-live
- 8 - Fuse holder-neutral
- 9 - Power cord



Front panel of the base:

- 1 - Ethernet indicator
- 2 - Display
- 3 - Infra-red sensor
- 4 - Data transfer indicator
- 5 - RNS control wheel
- 6 - Escape button
- 7 - Enter button

4. Installation

4.1 Fitting the lamp

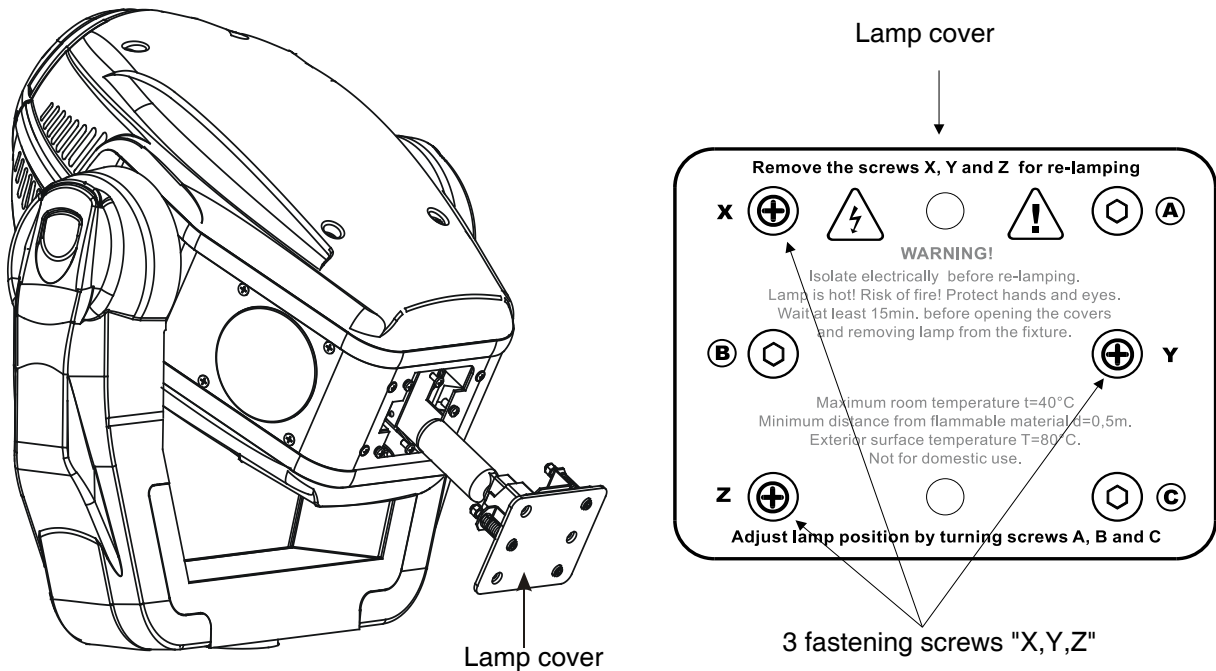
DANGER !
Install the lamps with the device switched off only.
Unplug from mains before !

To insert the lamp loosen the lamp cover at the rear of head (see the drawings) by removing the 3 fastening screws which are marked "X,Y,Z". Carefully pull out the cover with the lamp socket assembly. If changing the lamp, remove the old lamp from the socket. Insert the lamp to the socket.

Do not install a lamp with a higher wattage! A lamp like this generates temperatures the device is not designed for. Damages caused by non-observance are not subject to warranty. Please follow the lamp manufacturer's notes! Do not touch the glass-bulb with bare hands during the installation! Make sure that the lamp is installed tightly into the lampholder system.

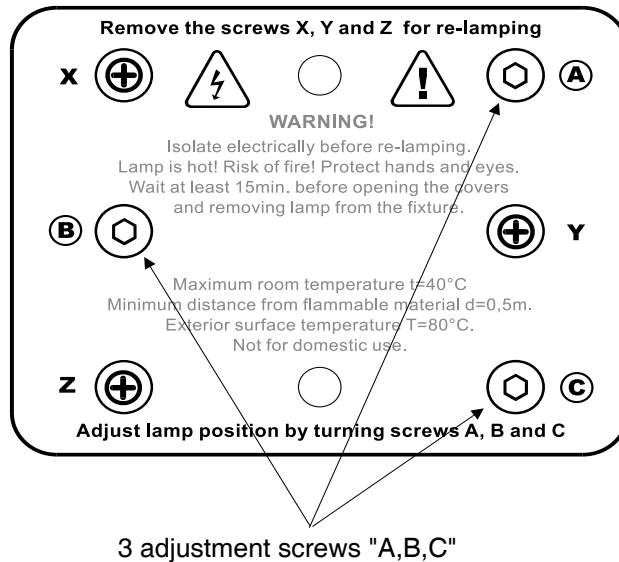
Reclose the lamp cover and tighten the 3 screws.

Before striking the lamp, reset the "**Lamp on Time**" and "**Lamp Strikes**" counters in the menu of the control board.



Do not operate this fixture with opened housing-cover!

4.2 Lamp adjustment



The ColorWash 575E AT Zoom lamp holder is aligned at the factory. Due to differences between lamps, fine adjustment may improve light performance.

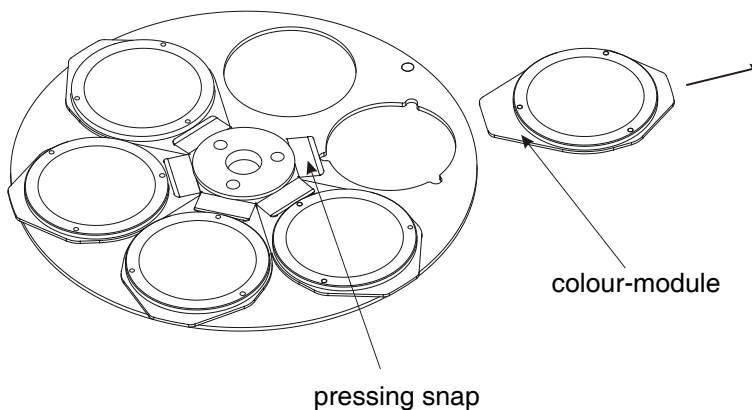
Strike the lamp, open the shutter and set the dimmer intensity onto 100% and aim the light on a flat surface (wall). Center a hot-spot (the brightest part of the image) by using the 3 adjustment screws "A,B,C". Turn one screw after another a quarter-turn clockwise (counter-clockwise) to set the hot-spot in the center of the image. If you cannot detect the hot-spot, adjust the lamp until the light is evenly distributed.

4.3 Inserting/Exchanging colours

DANGER!
Install the colours with the device switched off only.
Unplug from mains before!

If you wish to change colours, open the top cover of the head by loosening 4 quarter-turn fasteners on the top cover.

Gently bend out the colour module to release it from the 3 distance slots and eject it from the pressing snap. Put the new colour module back under the pressing snap and push it to the distance slots.



4.4 Connection to the mains

Verify the power supply settings before applying power!

If you wish to change the power supply settings, see the chapter below.


Connect the fixture to the mains with the power cord.

If the plug on the flexible cord is not the right type for your socket outlets, do not use an adaptor, but remove the plug from the cord and discard. Carefully prepare the end of the supply cord and fit a suitable plug.

The earth has to be connected!

Do not connect the fixture to a dimmer system!

Cord plug connections:

Cable (EU)	Cable (US)	Pin	International
Brown	Black	Live	L
Light blue	White	Neutral	N
Yellow/Green	Green	Earth	

4.5 Changing the power supply settings

Electronic ballast

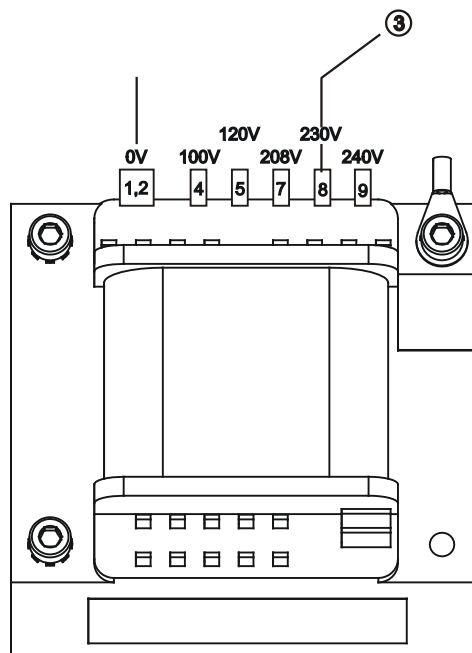
The operating range of the electronic ballast is 90 VAC-250 VAC, 50-60Hz. The transformer has to be set to the local AC voltage.

If you want to change the power supply settings, follow the instructions:

1. Disconnect the fixture from AC power.
2. Remove the both top base covers by loosening the 12 screws.
3. Move the wire (3) on the transformer connection block to the position according to the desired voltage.
5. Close the base before applying AC power.

Example:

Power supply settings: 230V/50Hz



4.6 Changing the front lens

The ColorWash 575E AT Zoom is supplied with Fresnel lens as a standard front lens. If you wish to extend the zoom range, you may need optional front wide-angle lens D200.

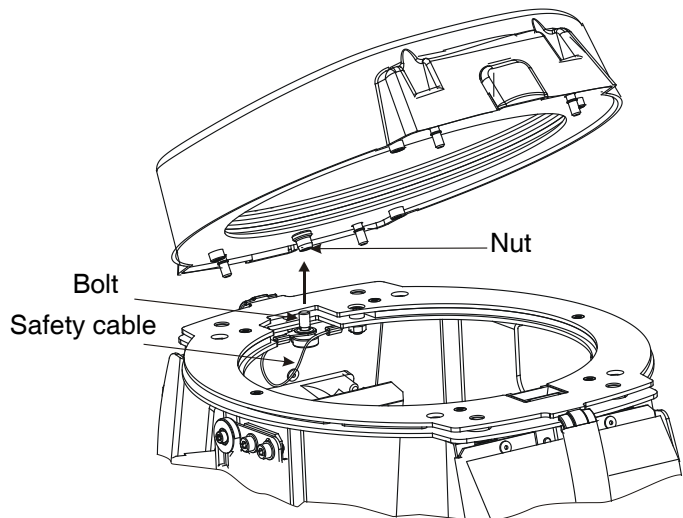
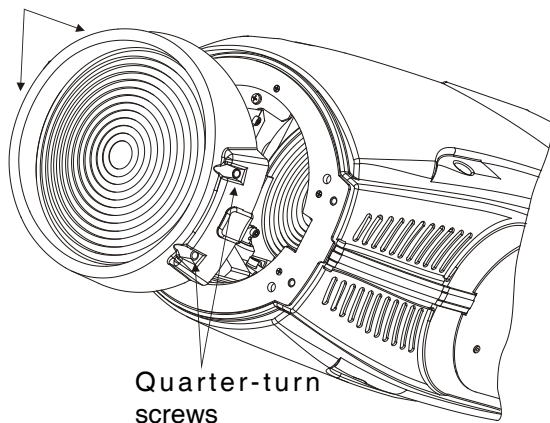
Front lens:	Beam angle:
Standard Fresnel lens	8°-50°
Front wide-angle lens	87°

Switch the device off before changing the lens. Be careful. Front lens is heavy!

Changing the front Fresnel lens:

1. Remove the front lens module using a flathead screwdriver to unlock the four quarter-turn screws.
2. Unscrew the safety cable from the lens holder
3. Screw up the safety cable to the module of front wide-angle lens D200.
4. Place the module and fix it by locking the four quarter-turn screws.

Quarter-turn screws



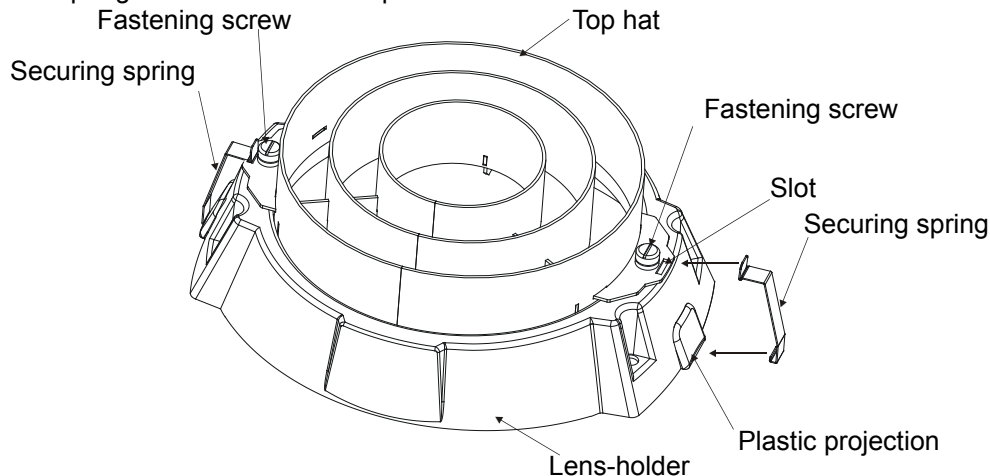
4.7 Installing top hats

The ColorWash 575E AT Zoom can be fitted with various types of the top hats-see chapter "Technical specifications". If you wish to install a top hat (optional), follow the instructions:

Switch the device off before installing the top hat!

Installing the top hat on the front lens-holder of the fixture:

1. Loosen 4 lens holder quarter-turn screws and hook both securing springs to the plastic projections in the front lens-holder. Tighten the 4 lens holder quarter-turn screws again.
2. Put desired top hat onto a front lens-holder and fasten it by two fastening screws.
3. Snap both springs to the slots in the top hat.



4.8 Rigging the fixture

DANGER TO LIFE!
Please consider the respective national norms during the installation!
The installation must only be carried out by an authorized dealer!

The installation of the projector has to be built and constructed in a way that it can hold 10 times the weight for 1 hour without any harming deformation.

The installation must always be secured with a secondary safety attachment, e.g. an appropriate catch net. This secondary safety attachment must be constructed in a way that no part of the installation can fall down if the main attachment fails.

When rigging, derigging or servicing the fixture staying in the area below the installation place, on bridges, under high working places and other endangered areas is forbidden.

The operator has to make sure that safety-relating and machine-technical installations are approved by an expert before taking into operation for the first time and after changes before taking into operation another time.

The operator has to make sure that safety-relating and machine-technical installations are approved by an expert after every four year in the course of an acceptance test.

The operator has to make sure that safety-relating and machine-technical installations are approved by a skilled person once a year.

The projector should be installed outside areas where persons may walk by or be seated.

IMPORTANT! OVERHEAD RIGGING REQUIRES EXTENSIVE EXPERIENCE, including (but not limited to) calculating working load limits, installation material being used, and periodic safety inspection of all installation material and the projector. If you lack these qualifications, do not attempt the installation yourself, but instead use a professional structural rigger. Improper installation can result in bodily injury and/or damage to property.

The projector has to be installed out of the reach of people.

If the projector shall be lowered from the ceiling or high joists, professional trussing systems have to be used. The projector must never be fixed swinging freely in the room.

Caution: Projectors may cause severe injuries when crashing down! If you have doubts concerning the safety of a possible installation, do NOT install the projector!

Before rigging make sure that the installation area can hold a minimum point load of 10 times the projector's weight.

Danger of fire !
When installing the device, make sure there is no highly inflammable material (decoration articles, etc.) in a distance of min. 0,7 m.

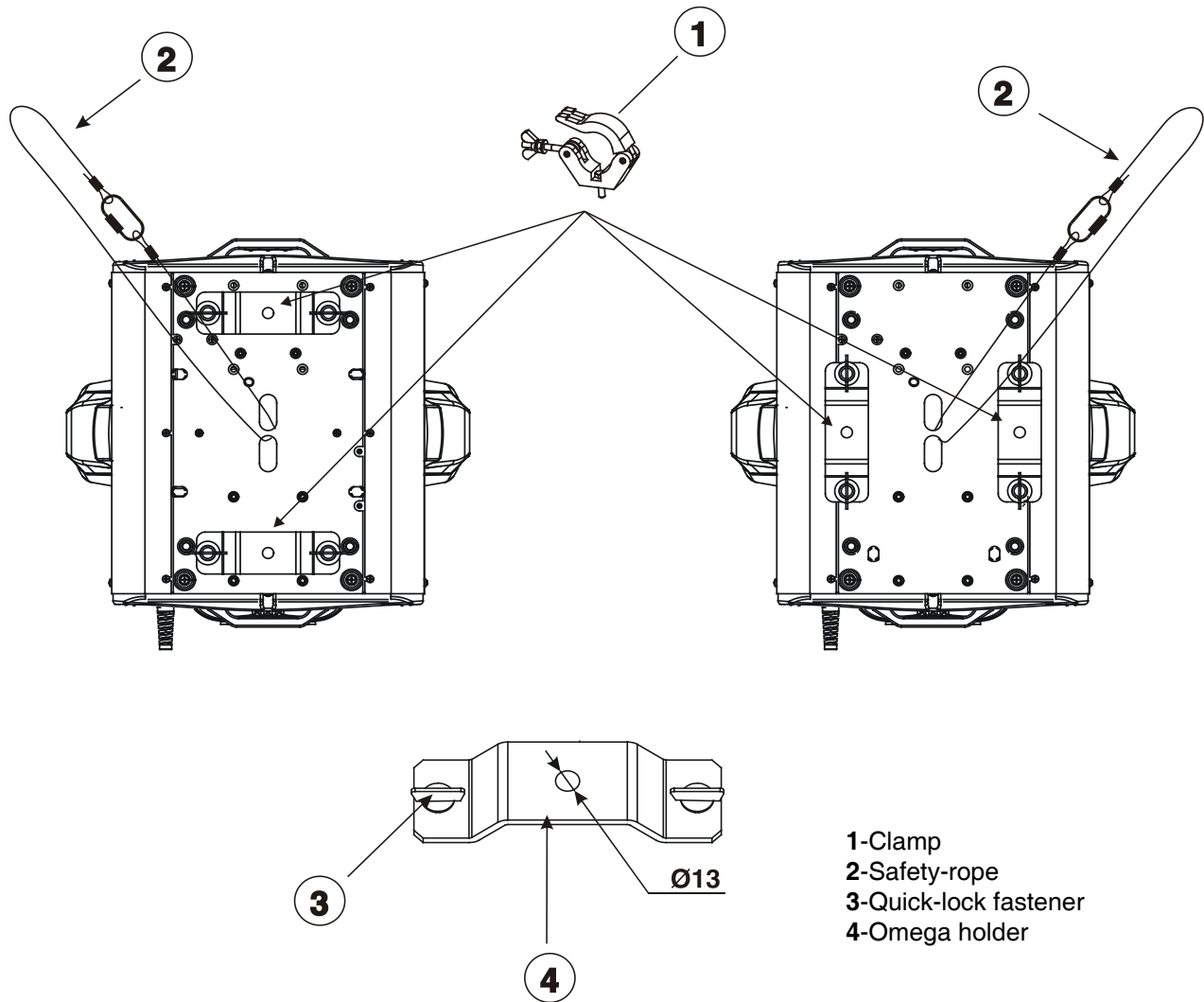
CAUTION!
Use 2 appropriate clamps to rig the fixture on the truss.
Follow the instructions mentioned at the bottom of the base.
Make sure that the device is fixed properly! Ensure that the structure (truss) to which you are attaching the fixtures is secure.

The projector can be placed directly on the stage floor or rigged in any orientation on a truss without altering its operation characteristics .

For overhead use, always install a safety-rope that can hold at least 10 times the weight of the fixture. You must only use safety-ropes with screw-on carabines. Pull the safety-rope through the two apertures on the bottom of the base and over the trussing system etc. Insert the end in the carabine and tighten the fixation screw.

Fixation via the omega holders

1. Bolt each clamp (1) to the omega holder (4) with M12 bolt and lock nut through the hole in the holder.
2. Fasten the omega holders on the bottom of the base by inserting both quick-lock fasteners (3) into the holes of the base and tighten fully clockwise.
3. Fasten the safety-rope (2) through the two apertures on the bottom of the base and over the trussing system.



**When installing fixtures side-by-side,
avoid illuminating one fixture with another!**

DANGER TO LIFE!
Before taking into operation for the first time, the installation has to be approved by an expert!

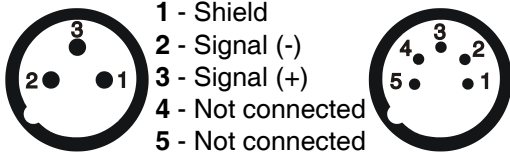
4.9 DMX-512 connection

The fixture is equipped with both 3-pin and 5-pin XLR sockets for DMX input and output. The sockets are wired in parallel.

Only use a shielded twisted-pair cable designed for RS-485 and 3-pin or 5-pin XLR-plugs and connectors in order to connect the controller with the fixture or one fixture with another.

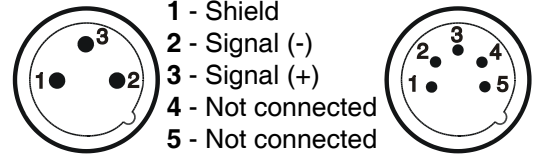
DMX - output

XLR mounting-sockets (rear view):

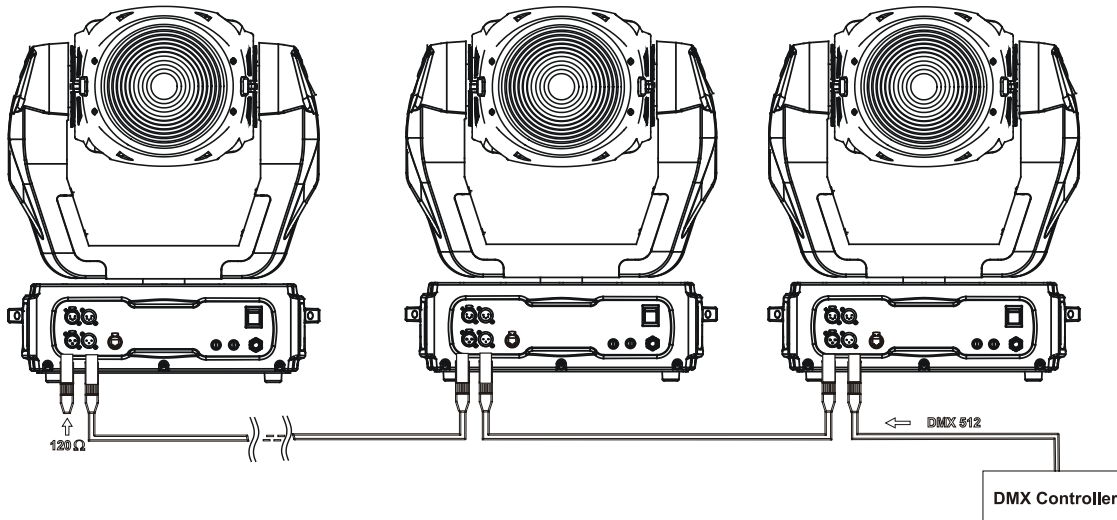


DMX-input

XLR mounting-plugs (rear view):



If you are using the standard DMX controllers, you can connect the DMX output of the controller directly with the DMX input of the first fixture in the DMX-chain. If you wish to connect DMX-controllers with other XLR-out-puts, you need to use adapter-cables.



Building a serial DMX-chain:

Connect the DMX-output of the first fixture in the DMX-chain with the DMX-input of the next fixture. Always connect one output with the input of the next fixture until all fixtures are connected.

Caution: At the last fixture, the DMX-cable has to be terminated with a terminator. Solder a 120 Ω resistor between Signal (-) and Signal (+) into a 3-pin XLR-plug and plug it in the DMX-output of the last fixture.

4.10 Ethernet connection

The fixtures on a data link are connected to the Ethernet with Art-Net communication protocol. The controlling software from PC (or lighting console) has to support Art-Net protocol.

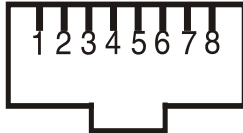
Art-Net communication protocol is a 10 Base T Ethernet protocol based on the TCP/IP. Its purpose is to allow transfer of large amounts of DMX 512 data over a wide area using standard network technology.

IP address is the Internet protocol address. The IP uniquely identifies any node (fixture) on a network.

The Universe is a single DMX 512 frame of 512 channels.

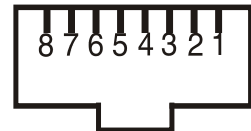
The ColorWash 575E AT Zoom is equipped with 8-pin RJ-45 socket for Ethernet input. Use a network cable category 5 (with four "twisted" wire pairs) and standard RJ-45 plugs in order to connect the fixture to the network.

RJ-45 socket (front view):



- | | |
|------------------|------------------|
| 1- TD+ | 5- Not connected |
| 2- TD- | 6- RX- |
| 3- RX+ | 7- Not connected |
| 4- Not connected | 8- Not connected |

RJ-45 plug (front view):



Patch cables that connect fixtures to the hubs or LAN sockets are wired 1:1, that is, pins with the same numbers are connected together:



If only the fixture and the computer are to be interconnected, no hubs or other active components are needed. A cross-cable has to be used:



Direct Ethernet operation

Connect the Ethernet-inputs of all fixtures in the fixture chain with the network.

Option "Ethernet" has to be selected from "Set Ethernet Mode" menu on the fixture.

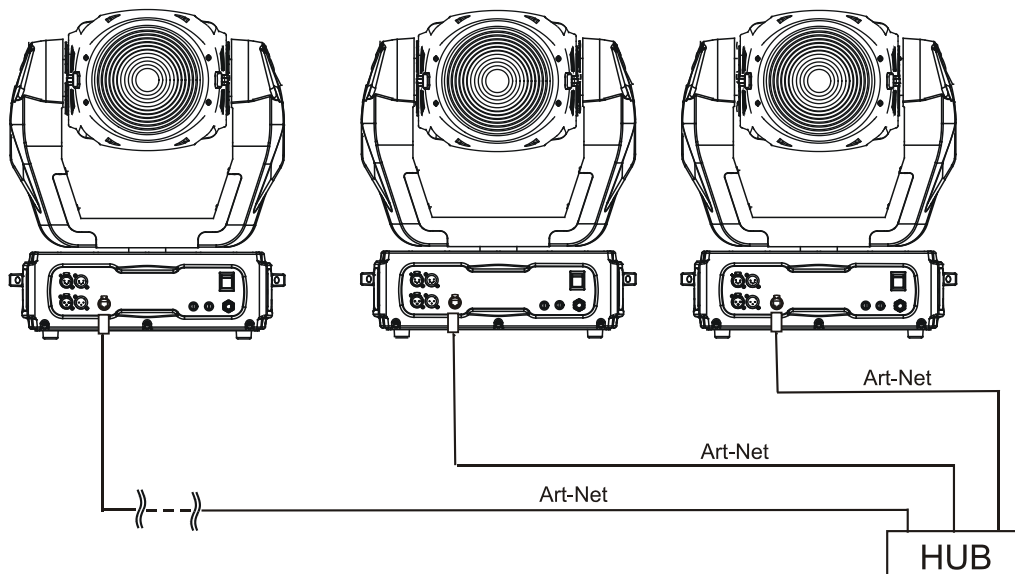
Set IP address (002.xxx.xxx.xxx / 010.xxx.xxx.xxx) and the Universe.

Example:

(DMX address=49)
IP address=002.168.002.004
Universe=1

(DMX address=25)
IP address=002.168.002.003
Universe=1

(DMX address=1)
IP address=002.168.002.002
Universe=1



An advised PC setting: IP address: 002.xxx.xxx.xxx / 010.xxx.xxx.xxx (Different from fixture IP addresses)
NET mask: 255.0.0.0

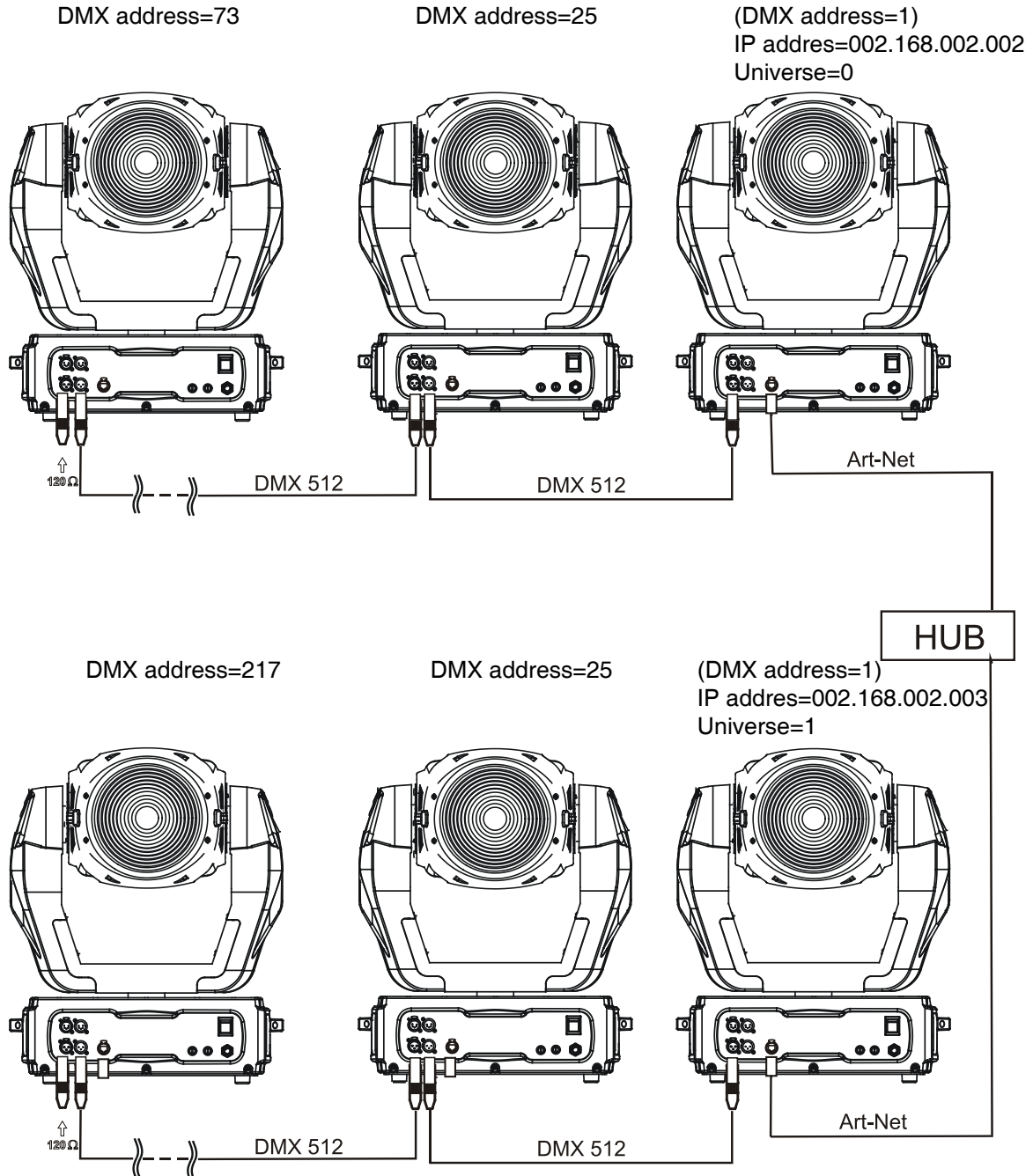
Ethernet / DMX operation

Options "Ethernet/DMX" has to be selected from "Set Ethernet Mode" menu on the first fixture (connected to the network) in the fixture chain, next fixtures have standard DMX addresses.

Connect the Ethernet-input of the first fixture in the data chain with the network. Connect the DMX output of this fixture with the input of the next fixture until all fixtures are connected to the DMX chain.

Caution: At the last fixture, the DMX chain has to be terminated with a terminator. Solder a 120 Ω resistor between Signal (-) and Signal (+) into a XLR-plug and connect it in the DMX-output of the last fixture.

Example:



5. ColorWash 575E AT Zoom - DMX Protocol-version 1.0

Mode/Channel				Value	Function	Type of control
1	2	3	4			
1	1	1	1	0 - 255	Pan Pan movement by 530°	proportional
2	2	2	2	0 - 255	Pan Fine Fine control of pan movement	proportional
3	3	3	3	0 - 255	Tilt Tilt movement by 280°	proportional
4	4	4	4	0 - 255	Tilt fine Fine control of tilt movement	proportional
5	5	5	5	0	Pan/Tilt speed , Pan/Tilt time Max. speed (tracking mode)	step
				1 - 255	<i>P./T. speed-set Speed Mode in menu: Pan/Tilt Mode</i> Speed from max. to min. (vector mode)	proportional
				1 - 255	<i>P./T. time - set Time Mode in menu: Pan/Tilt Mode</i> Time from 0,1 s to 25,5 s. *	proportional
6	6	6	6	0 - 49	Power/Special functions Reserved <i>To activate following functions, stop in DMX value for at least 3 s and shutter must be closed at least 3 s. („Shutter, Strobe” channel 17 (15,19,17) must be at range: 0-31 DMX). **</i>	step
				50 - 59	Pan/Tilt speed mode	step
				60 - 69	Pan/Tilt time mode	step
				70 - 79	Blackout while pan/tilt moving	step
				80 - 89	Disabled blackout while pan/tilt moving	step
				90 - 99	Blackout while colour wheel moving	step
				100 - 109	Disabled blackout while colour wheel moving	step
				110 - 129	Reserved <i>To activate following functions, stop in DMX value for at least 3 s.</i>	step
				130 - 139	Lamp On,reset(total reset except pan/tilt reset)	step
				140 - 149	Pan/Tilt reset	step
				150 - 159	Colour system reset	step
				160 - 169	Reserved	step
				170 - 179	Dimmer/Strobe reset	step
				180 - 189	Zoom module reset	step
				190 - 199	Reserved	step
				200 - 209	Total reset	step
210 - 229	Reserved	step				
230 - 239	Lamp Off	step				
240 - 255	Reserved	step				
		7	7	0 - 9	Pan/Tilt macro selection Disabled pan/tilt macro	step
				10 - 31	Reserved	step
				32 - 63	Figure of circle (from small to large)	proportional
				64 - 95	Figure of horizontal eight (from small to large)	proportional
				96 - 127	Figure of vertical eight (from small to large)	proportional
				128 - 159	Figure of rectangle (from small to large)	proportional
				160 - 191	Figure of triangle (from small to large)	proportional
				192 - 223	Figure of star (from small to large)	proportional
				224 - 255	Figure of cross (from small to large)	proportional
		8	8	0	Pan/Tilt macro speed <i>(Set pan/tilt speed (channel 5) to 0)</i> No macro generation	step
				1 - 127	Macro generation from fast to slow-forwards	proportional
				128 - 129	No macro generation	step
				130 - 255	Macro generation from slow to fast-backwards	proportional

Mode/Channel				Value	Function	Type of control
1	2	3	4			
7	7	9	9	0	Colour wheel <u>Continual positioning</u> Open/white	proportional
				21	Deep red	proportional
				43	Deep blue	proportional
				64	Green	proportional
				85	6000K correction filter	proportional
				107	UV filter	proportional
				128-129	White	proportional
				130-141	<u>Positioning</u> Deep red	step
				142-153	Deep blue	step
				154-165	Green	step
				166-177	6000K correction filter	step
				178-189	UV filter	step
				190 - 215	Forwards rainbow effect from fast to slow	proportional
216 - 217	No rotation	step				
218 - 243	Backwards rainbow effect from slow to fast	proportional				
244 - 249	Random colour selection by audio control (Set microphone sensitivity in menu „Personality”)	step				
250 - 255	Auto random colour selection from fast to slow	proportional				
8		10		0 - 255	Colour wheel - fine positioning Fine positioning	proportional
9	8	11	10	0 - 255	Cyan Cyan (0-white, 255-full cyan)	proportional
10	9	12	11	0 - 255	Magenta Magenta (0-white, 255-full magenta)	proportional
11	10	13	12	0 - 255	Yellow Yellow (0-white, 255-full yellow)	proportional
12	11	14	13	0 - 255	Colour temperature filter (0-7200K, 255-3200K)	proportional
13	12	15	14	0 - 255	Speed of CMY and conv.temp. filter Speed from max. (0) to min.(255)	proportional
14	13	16	15	0 - 7	CMY colour macros No function	step
				8 - 15	Macro 1	step
				16 -23	Macro 2	step
				24-31	Macro 3	step
				32-39	Macro 4	step
				40-47	Macro 5	step
				48-55	Macro 6	step
				56-63	Macro 7	step
				64-71	Macro 8	step
				72-79	Macro 9	step
				80-87	Macro 10	step
				88-95	Macro 11	step
				96-103	Macro 12	step
				104-111	Macro 13	step
				112-119	Macro 14	step
				120-127	Macro 15	step
				128-135	Macro 16	step
				136-143	Macro 17	step
				144-151	Macro 18	step
				152-159	Macro 19	step
				160-167	Macro 20	step
				168-175	Macro 21	step
176-183	Macro 22	step				

Mode/Channel				Value	Function	Type of control
1	2	3	4			
14	13	16	15	184-191	Macro 23	step
				192-199	Macro 24	step
				200 - 207	Macro 25	step
				208 - 215	Macro 26	step
				216 - 223	Macro 27	step
				224 - 231	Macro 28	step
				232 - 239	Macro 29	step
				240 - 243	Macro 30 - Random rainbow effect from fast to slow	proportional
				244 - 249	Random macro selection by audio control (Set microphone sensitivity in menu "PErS")	step
				250 - 255	Auto random macro selection from fast to slow	proportional
15	14	17	16	0 - 255	Zoom Coarse zoom from min. to max.beam angle	proportional
16		18		0 - 255	Zoom fine Fine zoom movement	proportional
17	15	19	17	0 - 31	Shutter, strobe Shutter closed, <u>Lamp power reduced after 10 s to 400W</u>	step
				32 - 63	Shutter open, <u>Full lamp power</u>	step
				64 - 95	Strobe-effect from slow to fast (max.15 flashes/s)	proportional
				96 - 127	Shutter open, <u>Lamp power reduced to 400 W</u>	step
				128 - 143	Opening pulse in sequences from slow to fast	proportional
				144 - 159	Closing pulse in sequences from fast to slow	proportional
				160 - 191	Shutter open, <u>Electronic strobing „ZAP” from slow to fast (from 7 to 33 flashes/s)</u>	step
				192 - 223	Random strobe-effect from slow to fast	proportional
224 - 255	Shutter open, <u>Full lamp power</u>	step				
18	16	20	18	0 - 255	Dimmer intensity Dimmer intensity from 0% to 100% (In range of 0-8 DMX,lamp power reduced to 400W)	proportional
19		21		0 - 255	Fine dimmer intensity Dimmer intensity fine	proportional

Notes: * Short times are not used for long tracks (e.g. 0.5s for track 0-255 DMX). Times are restricted by the mechanical parameters of the fixture.

** The switch-functions have priority to the equivalent functions in menu "Personality"but the setting by DMX is not saved to the memory(after switching the fixture on,the setting from menu "Personality" is loaded and after that can be changed with DMX value on the channel 6).

<u>DMX protocol</u>	<u>menu "Personality"</u>
50-59 Pan/Tilt speed mode	Pan/Tilt mode--->Speed Mode
60-69 Pan/Tilt time mode	Pan/Tilt mode--->Time Mode
70-79 Blackout while pan/tilt moving	Active blackout While-->Pan/Tilt Moving-->On
80-89 Disabled blackout while pan/tilt moving	Active blackout While-->Pan/Tilt Moving-->Off
90-99 Blackout while colour wheel moving	Active blackout While-->Colour Wheel Moving-->On
100-109 Disabled blackout while col. wheel mov.	Active blackout While-->Colour Wheel Moving-->Off

6. Controller mode

The fixtures are individually addressed on a data link and connected to the controller. The fixtures respond to the DMX signal from the controller.

6.1 DMX addressing

The control panel on the front panel of the fixture allows you to assign the DMX fixture address, which is defined as the first channel from which the ColorWash 575E AT Zoom will respond to the controller.

If you set, for example, the address to channel 23, the ColorWash 575E AT Zoom will use the channel 23 to 44 for control (if mode 1 is selected).

Please, be sure that you don't have any overlapping channels in order to control each ColorWash 575E AT Zoom correctly and independently from any other fixture on the DMX data link.

If two, three or more ColorWash 575E AT Zoom are addressed similarly, they will work similarly.

For address setting, please refer to the instructions under "Fixture Address".

Controlling:

After having addressed all ColorWash 575E AT Zoom, you may now start operating these via your lighting controller.

Note: After switching it on, the ColorWash 575E AT Zoom will automatically detect whether DMX 512 data is received or not. If there is no data received at the DMX-input, the display will start to flash "**A001**" with actually set address.

This situation can occur if:

- the 3 PIN (5pin) XLR plug (cable with DMX signal from controller) is not connected with the input of the ColorWash 575E AT Zoom
- the controller is switched off or defective, the cable or connector is defective or the signal wires are swap in the input connector.

Note: It's necessary to insert the XLR termination plug (with 120 Ohm) to the last fixture in the link in order to ensure proper transmission on the DMX data link.

6.2 Remotely controllable functions

Lamp

The ColorWash 575E AT Zoom is to be operated with a Philips MSR 575/2 lamp.

A relay inside of the ColorWash 575E AT Zoom allows you to switch on and off the lamp via the control panel or via your DMX-controller without affecting the rest of the lighting.

To switch On/Off the lamp, please refer to "Lamp On/Off".

Note: It is also important to note, that the discharge lamp is cold restrike types, that means, that they have to be cold before re-striking. For this reason, you have to wait 5 minutes (max. speed of fan must be adjusted) after having switched Off the lamp before you can switch it back On again. If you try to switch On the lamp within 5 minutes after having switched it Off, the ColorWash 575E AT Zoom will store this information and automatically ignite the lamp when the 5 minutes period has expired. If the ignition of the lamp is seven times unsuccessful, on the display will appear "**Lamp Error**", meaning that the lamp could be damaged or even missed, or there could be a failure on the ignitor or ballast.

Colour wheel

This wheel contains 5 replaceable 'SLOT&LOCK' dichroic filters + open. The colour-wheel can be positioned between two adjacent colours in any position. It is also possible to rotate the colour wheel continuously at different speeds ("Rainbow effect" in both directions).

Zoom

Motorized zoom unit enables zoom between 8° and 50° beam angle.

Dimmer/Shutter/Strobe

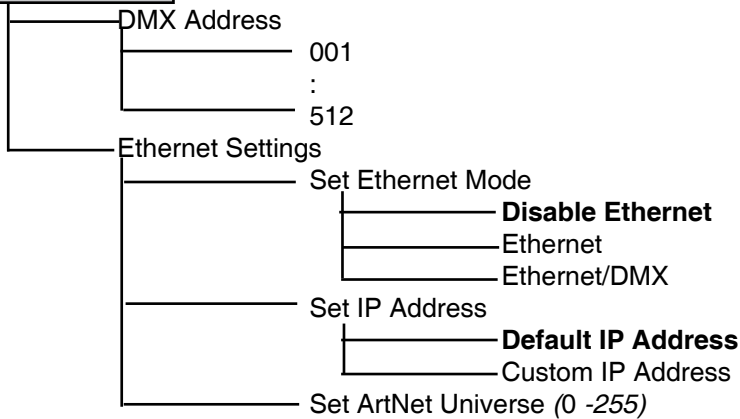
Smooth 0 - 100 % dimming is provided by the combined mechanical dimmer/shutter unit. This unit may also be used for strobe effect.

7.Control menu map

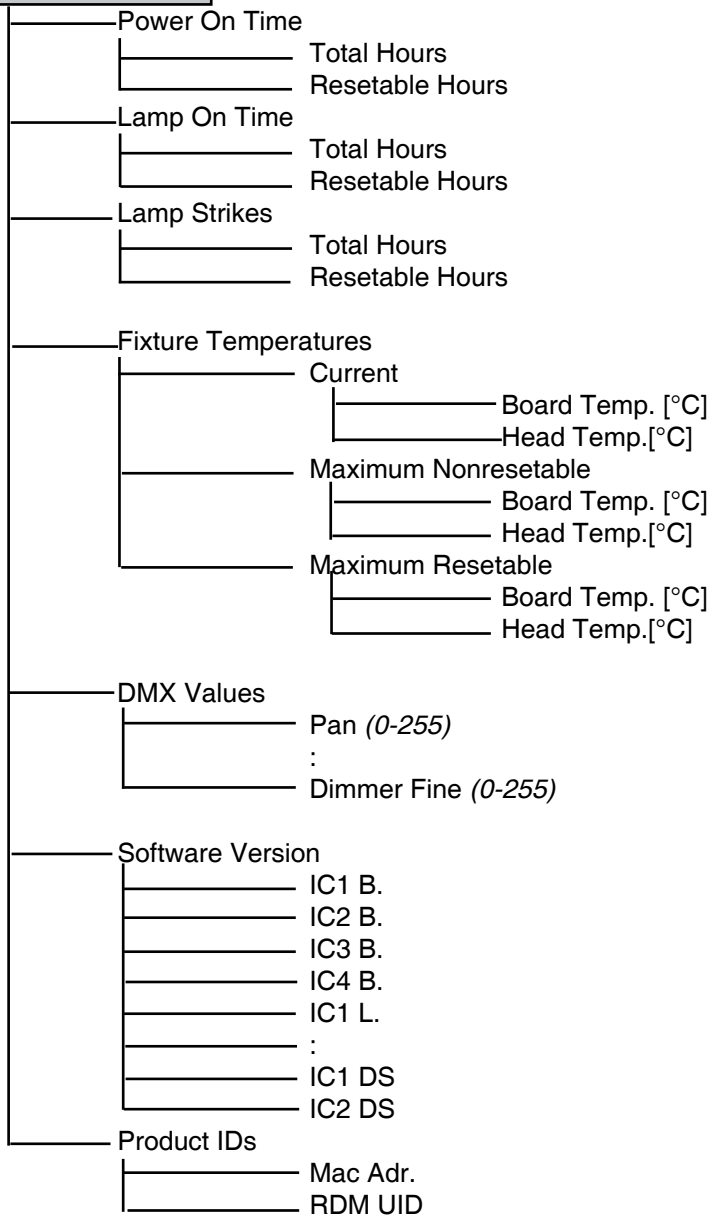
Default settings=**Bold print**

Default settings=**Bold print**

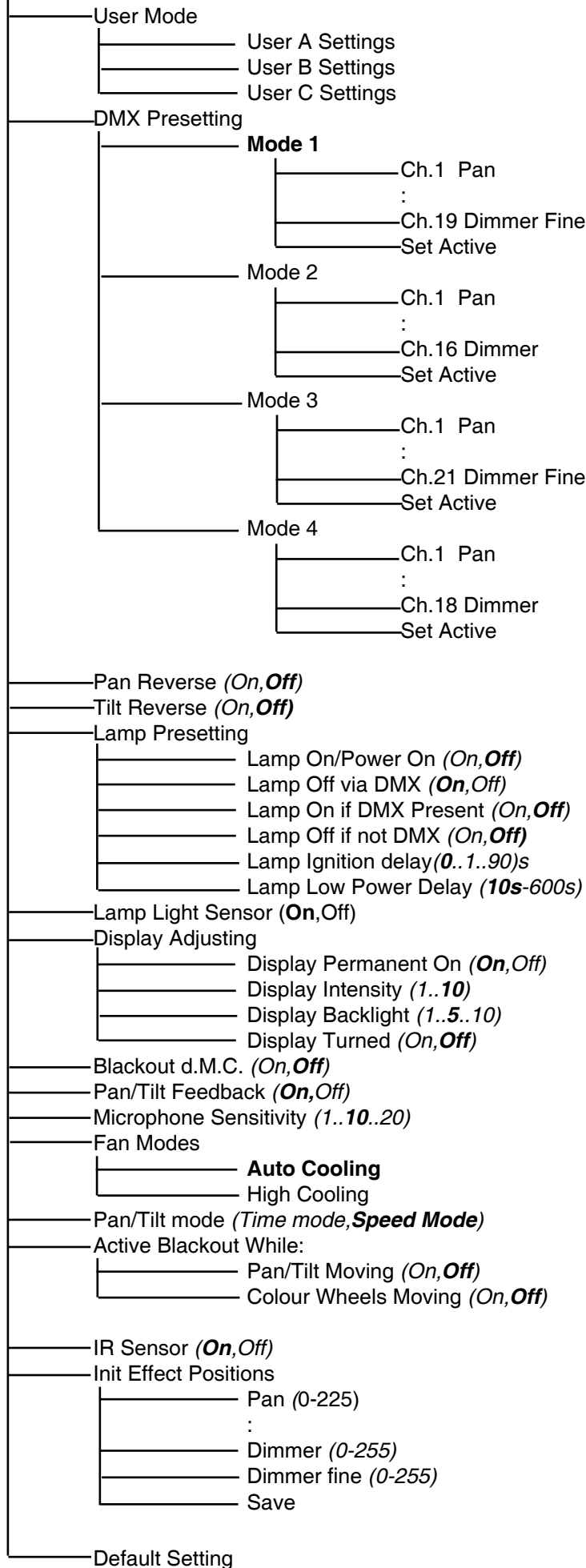
Fixture Address



Fixture information

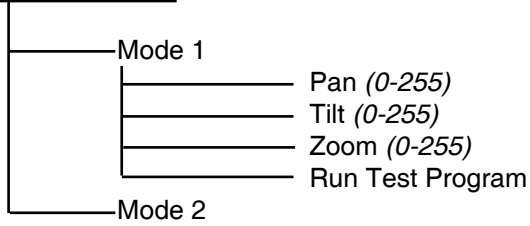


Personality

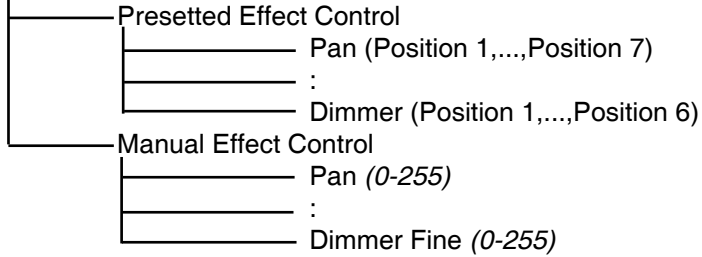


Lamp On/Off (On,Off)

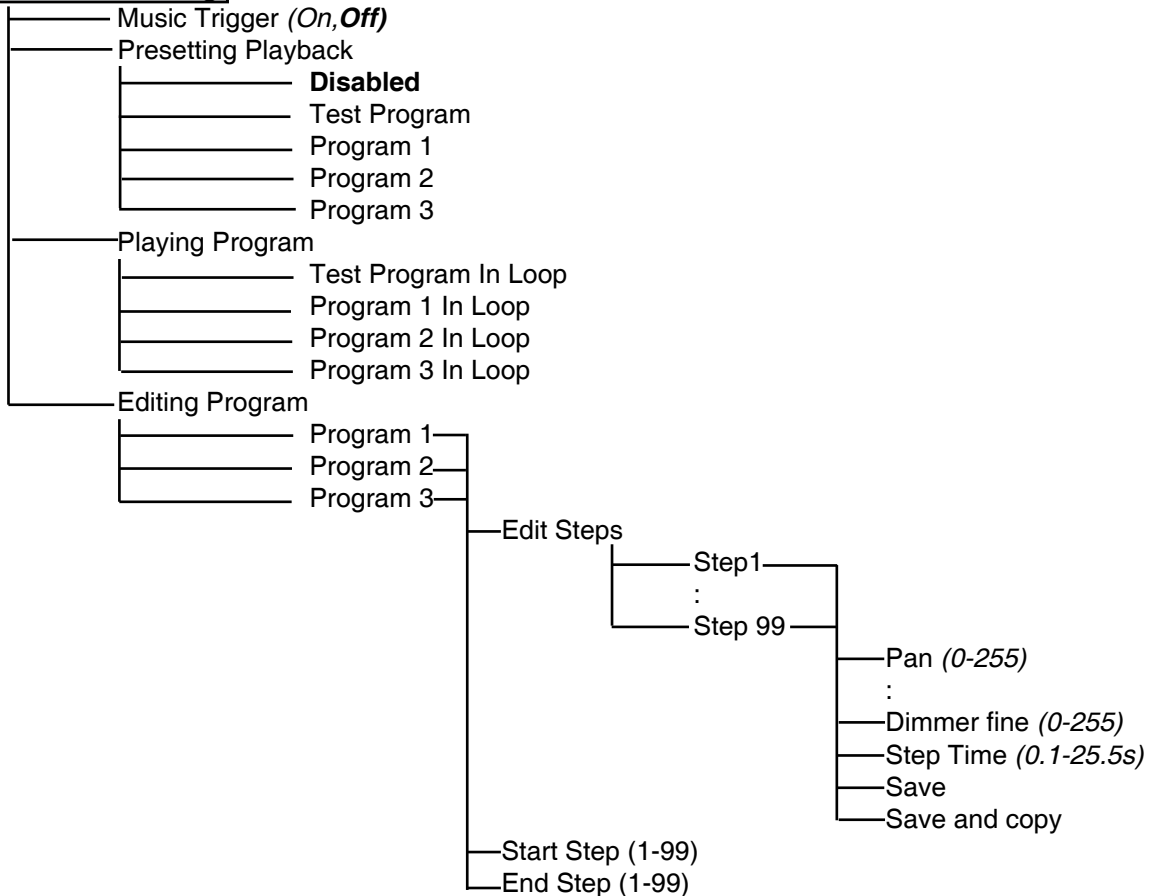
Test sequences



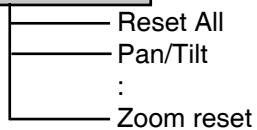
Manual Mode



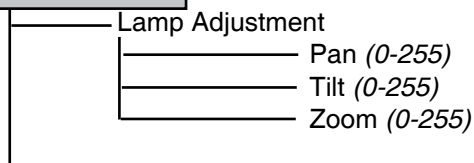
Stand- alone setting

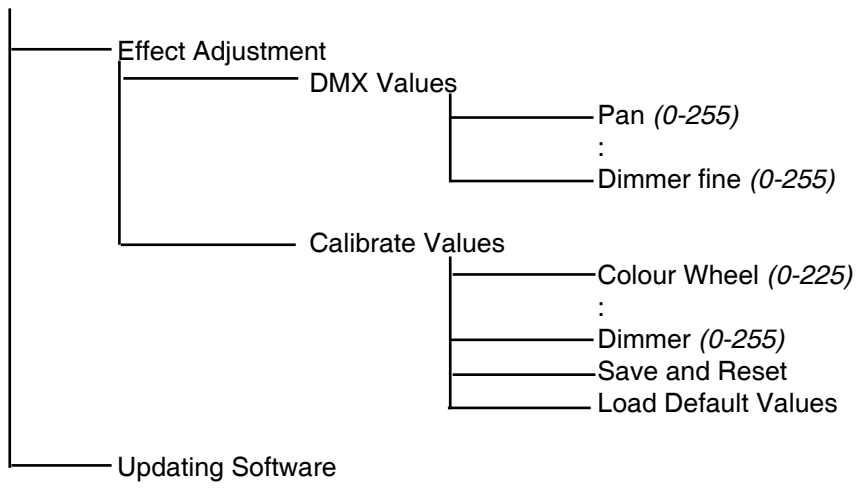


Reset function



Special functions





8. Control menu

The control panel situated on the front panel of the base offers several features. You can simply set the DMX address, read the number of the lamp or unit hours, switch On and Off the lamp, run test, make a reset and also use many functions for setting fixture behaviour.

Control elements on the control board:

[RNS] encoder wheel-moves between menu items on the the same level, scrolls between values.

[ESC] button-leaves menu without saving changes

[ENTER] button-enters menu, confirms adjusted values and leaves menu

**After switching the fixture on,
the display shows the initial screen:**



**Press [ENTER],
the display shows current address:**



The main menu of the control panel is accessed by pressing [ENTER] button. To browse through the menu, rotate [RNS] wheel. To select a function or submenu, press [ENTER] button. Presetted options are displayed negative.

8.1 Fixture Address

Use this menu to set the DMX address.

DMX Address - Select this submenu to set DMX start address.

Ethernet Settings - Select this submenu to set the fixture for Ethernet operating.

Set Ethernet Mode - Select this submenu to select Ethernet operating mode:

Disable Ethernet - disables network operating.

Ethernet - Data are received to the Ethernet input of the fixture - every fixture from fixture chain has to be connected to the network.

Ethernet/DMX - Data go from Ethernet input „through” the fixture to the DMX output of the fixture- it is possible to connect the next fixture to DMX output and to make a DMX chain.

Set IP Address - Select this submenu to set IP address. IP address is the Internet protocol address. The IP uniquely identifies any node (fixture) on a network. There can't be 2 fixtures with the same IP address on the network!

Default IP Address - Presetted IP address, you can edit only first number of IP address (2 or 10) e.g. **002.019.052.086**.

Custom IP Address - The option enables edit all numbers of IP address e.g. **002.019.052.086**.

To set the custom IP address:

1. Select „Custom IP Address” and press [ENTER].
 2. Use RNS wheel to set the first number of IP address
 3. Press [ENTER] to move on the second number of IP address
 4. Repeat steps 2 and 3 for the third and the fourth number of IP address.
- If you want to return back on the previously edited number, press [ESC].

Set ArtNet Universe - Select this submenu to set a Universe (0-255). The Universe is a single DMX 512 frame of 512 channels.

8.2 Fixture information

Use this menu to read an useful information about the fixture.

Power On Time - Select this submenu to read the number of operation hours.

Total Hours - The function shows the total number of the operation hours since the Color Wash 575E AT Zoom has been fabricated.

Resetable Hours - The function shows the number of the operation hours that the Color Wash 575E AT Zoom has been powered on since the counter was last reset. In order to reset this counter to 0, press [ENTER] twice.

Lamp On Time - Select this submenu to read the number of the operation hours with the lamp on.

Total Hours - The function shows the total number of the operation hours with the lamp on since the ColorWash 575E AT Zoom has been fabricated.

Resetable Hours - The function shows the number of the operation hours with the lamp on that the ColorWash 575E AT Zoom has been powered on since the counter was last reset. In order to reset this counter to 0, press [ENTER] twice.

Lamp Strikes - Select this submenu to read the total number of the lamp strikes.

Total Hours - The function shows the total number of the lamp strikes since the ColorWash 575E AT Zoom has been fabricated.

Resetable Hours - The function shows the number of the lamp strikes since the counter was last reset. In order to reset this counter to 0, press [ENTER] twice.

Fixture Temperatures --- Select this submenu to read the temperatures of the fixture:

Current - Select this function to read the current temperatures of the fixture inside (Board Temp., Head Temp.)

Maximum nonresetable - The function shows the max. temperatures of the fixture inside (Board Temp., Head Temp..) since the ColorWash 575E AT Zoom has been fabricated.

Maximum resetable - The function shows the maximum temperatures of the fixture inside (Board Temp., Head Temp.) since the respective counter was last reset. In order to reset desired counter to 0, press [ENTER] twice.

Measurement points:

Board Temp. - temperature on the main board in the fixture base.

Temperatures below 66°C are not critical. 66° C and more lead to the lamp being switched off and the fixture goes to "low power mode". Before switching the lamp on again (after 5 minutes), run a total fixture reset.

Head Temp. - temperature of the head inside. Temperatures below 66°C are not critical. 66° C and more lead to the lamp being switched off and the fixture goes to "low power mode". Before switching the lamp on again (after 5 minutes), run a total fixture reset.

Please note that the ambient temperature should not exceed 40°C.

DMX Values --- Select this function to read DMX values of each channel received by the fixture.

Product IDs --- Select this function to read the MAC address or the RDM UID number.

Software Version --- Select this function to read the software version of the fixture modules:

IC1 B. --- Main processor on the main board in the fixture base

IC2 B. --- Pan processor on the main board in the fixture base

IC3 B. --- Tilt processor on the main board in the fixture base

IC4 B. --- EEPROM on the main board in the fixture base

IC1 L. --- Processor 1 in the left arm of the fixture

IC2 L. --- Processor 2 in the left arm of the fixture

IC1 R. --- Processor 1 in the right arm of the fixture

IC1 DS --- Display processor on the display module in the fixture base

IC2 DS --- Memory on the display module in the fixture base

8.3 Personality

Use this menu to modify ColorWash 575E AT Zoom operating behavior.

User mode --- ColorWash 575E AT Zoom allows you to recall up to 3 user settings. After switching the fixture on for the first time, the **User A settings** are active. All changes made in "Personality" menu, "Fixture Address" menu and Music Trigger and Presetting Playback functions from "Stand-alone setting" menu are saved to the **User A settings**. If you now set the **User B settings** active, from this moment these changes are saved to the **User B settings**. After switching the fixture off and on, the User B setting is active. In this way you may use 3 fixture operating behaviour.

User A Settings --- The function recall the user A settings.

User B Settings --- The function recall the user B settings.

User C Settings --- The function recall the user C settings.

Pan Reverse --- Select this function to invert the pan movement.

Tilt Reverse --- Select this function to invert the tilt movement.

DMX Presetting --- Select this function to set desired effects assigning to the channels. Please refer to the

chapter "DMX protocol" for detail description.

Lamp Presetting --- Select this menu to change the lamp "behaviour".

Lamp On/Power On --- Select this function to turn the lamp on automatically after switching the fixture on.

Lamp Off via DMX --- Select this function to switch off the lamp via DMX.

Lamp On if DMX Present --- This function allows you to strike the lamp automatically after 26 seconds if DMX signal is present on the data link. If the ignition is unsuccessful (e.g. lamp is too hot), the fixture will try to ignite the lamp after next 26 s. This process will repeat until the lamp lights.

Lamp Off if not DMX --- This function allows you to switch Off the lamp automatically after 2 minutes if DMX signal is missing on the data link.

Lamp Ignition Delay --- This function allows you to set the time delay (0-90s) before the lamp will be ignited. This setting will not affect starting the lamp direct from the control panel (menu "Lamp On/Off").

Lamp Low Power Delay - This function enables set the time period after that the lamp power will be reduced if the shutter/dimmer is closed. The delay time can be set up to 600seconds. Default setting is 10s.

Lamp Light Sensor --- Select this function to switch the lamp light sensor on or off. The option "On" is for the standard operation.

Important: The option "Off" is for "emergency operation" only if the lamp light sensor is defective and you will wait for a service intervention! If the lamp light sensor is switched off and at switching the lamp on the electronics will still try to ignite the lamp until it shines (even when the lamp is damaged or absent), on this account some electronics parts could be damaged!

Display Adjusting --- This function allows you to change the display settings.

Display Permanent On --- This function allows you to keep the display on or to turn off automatically 2 minutes after last pressing any button on the control panel.

Display Intensity --- Select this function to adjust the display intensity (1-min., 10-max.).

Display Backlight --- Select this function to adjust the display backlight (1-min., 10-max.).


Display Turned --- Select this function to turn the display by 180°.

Blackout d.M.C. --- Select this function to enable the blackout during the head movement correction (if the moving head lost its right pan/tilt position for a short moment).

Pan/Tilt Feedback --- This function allows to return the moving head to the required pan/tilt position after changing the position by external force (e.g. by stroke).

Be careful, the Pan/Tilt Feedback OFF is not the standard operation and the head of the fixture can be damaged!

Note: If the feedback was switched off, the pan/tilt-position is changed by an external force and the feedback is switched on again, the moving head might not to be synchronized with the DMX signal. You have to make a reset in order to synchronize the moving head with the DMX signal.

Microphone Sensitivity --- Select this function to adjust the microphone sensitivity from 1 (maximum) to 20 (minimum). If the sensitivity is correctly adjusted, the mark  will appear (blinking in the bass beat.)

Fan Modes --- By using this function you can choose 2 types of the fan speed operating modes.

Auto Cooling --- The fans automatically raise their speed in order to control inside temperature of the lighting, if the temperature inside increases about certain level (the low fan speed reduces the cooling of the lighting). This cycle can repeat several times until the temperature inside is on a suitable level.

High Cooling --- The cooling fans work on max. speed (max. cooling). This mode we recommend for high ambient temperature (30 °C and more).

Pan/Tilt mode --- Use this menu to set the character of the pan/tilt movement.

Time mode --- Pan and tilt will move with different speeds and they will come at the same time to end point (pan and tilt sets its optimal speed).

Speed Mode --- Pan and tilt will move with the same speed as adjusted by the channel 5 (Pan/Tilt speed). E.g. pan will come to the end point and wait for tilt, which has longer track.

Active Blackout while: --- Use this function if you wish to close the light output during effect changes.

Pan/Tilt Moving --- This function closes the light output during pan/tilt changes.

Colour Wheel Moving --- This function closes the light output during colour wheel changes.
IR Sensor --- Select this function to switch on/off infra-red remote control.

Init Effect Positions --- Select this function to set all effects to the desired positions. After switching the fixture on (if DMX is not connected), all effects will move to this init positions.

Default Settings --- Select this option to reset all fixture personalities to the default values.

8.4 Lamp On/Off

Use this option in order to switch on/off the lamp. It is also important to note, that the lamp is cold restrike type, that means, that it has to be cold before striking.

8.5 Test sequences

Use this menu to run a special demo-test sequences without an external controller, which will show you some possibilities of using ColorWash 575E AT Zoom.

Mode 1 --- This mode is suitable for projections on the wall, ceiling or ground without any head movement.

Mode 2 --- This mode uses all ColorWash 575E AT Zoom functions including pan/tilt movement and therefore is good for a complete introduction of the fixture.

8.6 Manual mode

Presettled Effects --- Select this menu to call up presettled positions of channel effects.

Manual Effect control --- Select this menu to control channels by control elements on the control board.

8.7 Stand-alone setting

Use this menu to set options for stand-alone mode as a selection of the playing program, programming and modifying current programs.

Music Trigger --- Select this function to enable the sound control of the running programs via the built-in microphone.

Presetting Playback --- This function allows you to select the program which will be played in the stand-alone mode after switching the fixture on. Selected program will be played continuously in a loop.

Disabled --- The option disables "Presetting playback" function.

Test Program --- The option will start built-in test program.

Program 1 --- The option will start created program No. 1

Program 2 --- The option will start created program No. 2

Program 3 --- The option will start created program No. 3

Note: If the fixture operates in the controller mode (DMX controller is connected) and any program from this menu is selected, in this case the fixture will not respond to the DMX controller after switching on and will play selected program.

Playing program --- Select this menu to run a built-in program or the 3 freely-programmable programs in a loop.

Test Program In Loop --- The option starts built-in test program.

Program 1 In Loop --- The option starts created program No. 1

Program 2 In Loop --- The option starts created program No. 2

Program 3 In Loop --- The option starts created program No. 3

Select the program you wish and press [ENTER]. The selected program starts running. By Pressing [ENTER] again is possible to pause the program running.

Editing Program --- Select this menu to edit or create the program. The ColorWash 575E AT Zoom has one built-in program and the 3 free programs, each up to 99 steps. Each program step has a step time. Step time-the time, during which effects last in the current step.

Procedure:

1. Select the program you want to edit ("Program 1" - "Program 3") and press [ENTER].
2. Select "Edit Steps" menu and press [ENTER].
3. Select the desired program step ("Step 01" - "Step 99") and press [ENTER].
4. Select the desired item and press [ENTER]. Now you can edit DMX value for selected item:
 - "Pan"- a coarse pan,value 0-255
 - "Tilt" - a coarse tilt,value 0-255
 - "Pan/Tilt Speed " - a speed of pan/tilt movement,value 0-255
 - "Spec. Func." - a special functions, lamp on/off,reset,value 0-255
 - "Pan/Tilt Macro" - a pan/tilt macro,value 0-255
 - "P./T.Macro Speed" - a pan/tilt macro speed,value 0-255
 - "Colour Wheel" - a colour wheel ,value 0-255
 - "Cyan" - a cyan, value 0-255
 - "Magenta" - a magenta, value 0-255
 - "Yellow" - an yellow, value 0-255
 - "Conversion Filter" - a conversion temperature filter, value 0-255
 - "CMY Colour Macro" - a CMYcolour macro, value 0-255
 - "Effect Speed" - a effect speed, value 0-255
 - "CMY+CTF speed" - a CMY and CTO filter,value 0-255
 - "Zoom" - a zoom,value 0-255
 - "Shutter/Strobe" - a shutter and strobe,value 0-255
 - "Dimmer" - a dimmer intensity-coarse ,value 0-255
5. Select "Save" or "Save and Copy" and press [Enter] to confirm adjusted values:
 - "Save" - saving the current prog. step
 - "Save and Copy" - saving and copying the current prog. step to the next prog. step .
6. Go on next prog. step and repeat this procedure (steps 4 and 5).
After creation the program,you can simply reduced its length (by changing the start/end steps) using the "Start Step" and "End Step" menu.

8.8 Reset functions

The ColorWash 575E AT Zoom can be reset totally or by function modules. Select relevant function to run a reset:

Reset All --- This function enables the fixture to index all effects and return to their standard positions.

Pan/Tilt --- This function resets pan and tilt.

Colour System --- This function resets colour wheels.

Zoom --- This function resets zoom and effect wheel.

Dimmer/Strobe --- This function resets dimmer/strobe module.

8.9 Special functions

Use this menu for special services like adjusting lamp or adjusting effects.

Lamp Adjustment --- This function can be used when you make the fine adjustment of the lamp. If you select this function, all effects will be canceled, shutter will be opened and the dimmer intensity will be set onto 100%. By using the options "**PAn, Tilt, Zoom**" you can aim the light at a flat surface (wall) and perform the fine lamp adjustment.

Effect Adjustment --- By this function you can calibrate and adjust the effects to their standard/right positions. Disconnect the DMX controller from the fixture and select "**DMX Values**" menu. The display shows step by step effects by which you can adjust the fixture to the required position before the function calibration. When the positioning is finished, select "**Calibrate Values**" and press [ENTER]:

1. Calibration via the control board

Select desired effect, press [ENTER] and adjust its right value (0 - 255). This can be repeated for each calibrated effect if it is required. When the calibration is finished, it is necessary to use the "**Save and Reset**" function to write the calibration values to the memory and to make a reset in order to check the newly adjusted positions of the calibrated effects.

List of the calibrated effects:

- Colour Wheel
- Zoom
- Dimmer

2. Calibration via the DMX controller

Connect the DMX controller to the fixture. Now you can calibrate the selected effect by your controller.

Effect	Mode 1	Mode 2	Mode 3	Mode 4
Colour wheel	channel 20	channel 17	channel 22	channel 19
Zoom	channel 21	channel 18	channel 23	channel 20
Dimmer	channel 22	channel 19	channel 24	channel 21

After having calibrated required effects, use the **“Save and Reset”** function to write the calibration values to the memory and to make a reset in order to check the newly adjusted positions of the calibrated effects.

Item **„Load Default Values”** enables to load default factory calibration values.

Updating software. --- Using this function you can update software in the fixture via PC and serial link.

The following are required in order to update software:

- PC running Windows 95/98/2000/XP or Linux
- DMX Software Uploader
- Flash cable RS 232 Robe (No.13050624)

Note1: Software update should execute a qualified person. If you lack qualification, do not attempt the update yourself and ask for help your ROBE distributor.

Note 2: DMX address, IP address, programs 1-3 and all functions in menu Personality will be set to their default values.

To update software in the fixture:

1. Installation of DMX Software Uploader.

1. DMX Software Uploader program is available from the ROBE web site at WWW.robe.cz.
2. Make a new directory (e.g. Robe_Uploader) on your hard disk and download the software to it.
3. Unpack the program from the archive. Program file has name: DSU_name of corresponding fixture_SoftwareID. If the Robe fixture is produced in magnetic and electronic ballast version, the name of DMX Software Uploader is the same for both versions. SoftwareID describes the versions of fixture software included in DMX Software Uploader. Higher number means later software versions.

2. Fixture software updating.

1. Determine which of your COM port is available on your PC and connect it with to the DMX input of the fixture using the Flash cable. Do not extend this cable! Disconnect the fixture from the other fixtures in DMX chain! Turn on the computer and the fixture. Make sure that the lamp is switched off.
2. Switch the fixture to the update mode by selecting the option Updating Software in menu Special Functions on the fixture control panel. (From this option you cannot return back to the main menu. If you do not want to continue in software update, you have to switch off and on the fixture to leave this option!)
3. It is recommended that you exit all programs before running this Software Uploader.
4. Start the Software Uploader program. Select desired COM and then click Connect button. If the connection is OK, click Start Uploading button to start uploading. It will take several minutes to perform software update. If the option "Incremental Update" isn't checked, all processors will be updated (including processors with the same software version). If you wish to update only later versions of processors, enable the Incremental Update check box. Avoid interrupting the process. Update status is being displayed in the list window. When the update is finished, the line with the text "The fixture is successfully updated" will appear in this window and the fixture will reset with the new software.

Note: In the case of interruption of the upload process (e.g. power cut), the fixture remains in the update mode and you have to repeat the software update again.

For example: The fixture was switched off before finishing software upload. After switching the fixture on again, the fixture is still in the update mode and the display is dark. Restart the Software Uploader program and repeat software update from your PC.

9. Power down mode

This mode omits fixture reset after switching the fixture on and reduces motor powers of the fixture. "Power down mode" is useful in special cases, e.g. if the fixture is in a flight case and you want to set its DMX address without taking it out from the case. To enter "Power down mode":

Press and hold [ENTER] and at the same time switch on the Power switch. The following message appears:

Really Skip Initial Reset?
Escape/Enter

Press [ENTER] to activate "Power down mode" without fixture reset. Now you can set features and behaviour of

the fixture by using “Fixture Address” menu and “Personality” menu. It is expected, that this mode will be exited by switching the fixture off, but if you want to go directly to “normal operation mode”, execute any fixture reset.

Note: All motors in “Low power mode” are deactivated and switching the lamp on from the control panel is blocked.

10. RDM

This fixture supports an RDM operation. The RDM (Remote Device Management) is a bi-directional communications protocol for use in DMX512 control systems, it is the new open standard for DMX512 device configuration and status monitoring.

The RDM protocol allows data packets to be inserted into a DMX512 data stream without adversely affecting existing non-RDM equipment. By using a special „Start Code,“ and by complying with the timing specifications for DMX512, the RDM protocol allows a console or dedicated RDM controller to send commands to and receive messages from specific moving lights.

The ROBE DreamBox with an additional ROBE RDM-network software provides the RDM functionality. The DreamBox supports RDM - new control protocol featuring AutoPatch and Fixture Status Monitoring.

The list of RDM commands for ColorWash 575E AT is the following:

Parameter ID	Discovery command	SET command	GET command
DISC_UNIQUE_BRANCH	*		
DISC_MUTE	*		
DISC_UN_MUTE	*		
DEVICE_INFO			*
SUPPORTED_PARAMETERS			*
SOFTWARE_VERSION_LABEL			*
DMX_START_ADDRESS		*	*
IDENTIFY_DEVICE		*	*
DEVICE_MODEL_DESCRIPTION			*
MANUFACTURER_LABEL			*
DEVICE_LABEL		*	*
SENSOR_DEFINITION			*
SENSOR_VALUE			*
DISPLAY_INVERT		*	*
DISPLAY_LEVEL		*	*
PAN_INVERT		*	*
TILT_INVERT		*	*
DEVICE_RESET		*	
DMX_PERSONALITY		*	*
DMX_PERSONALITY_DESCRIPTION			*
STATUS_MESSAGES			*
STATUS_ID_DESCRIPTION			*
LAMP_STATE		*	*
LAMP_ON_MODE ¹		*	*
DEVICE_HOURS ²			*
LAMP_HOURS ²			*
LAMP_STRIKES ²			*

¹...Another options for this command (only for Robe´s fixtures):

value PARAMETER_DATA=0x84 - lamp OFF by DMX value on DMX channel

value PARAMETER_DATA=0x88 - lamp OFF if DMX is not present

²...Commands relative resetable values

11. Error and information messages

Occured errors during fixture operation are signaled by warning icon on the display:



Press [ESC] to see the current error messages. Description of error messages:

Active Lamp Timer

This message appears if you try to switch on the lamp within 5 minutes after having switched it off (the lamp is too hot). The message will appear on the display if the lamp doesn't ignite within 28 seconds. The ColorWash 575E AT Zoom will store this information and automatically ignite the lamp when the 5 minutes period has expired.

Caution: The message is disabled if the lamp light sensor (function "Lamp Sensor" in menu Personality) is switched Off.

Lamp Error

The ignition of the lamp is seven times unsuccessful (the "Active Lamp Timer" message appeared six times before), and the display shows "Lamp Error", meaning that the lamp could be damaged or even missed or there could be a failure on the ignitor or ballast.

Please place or replace the lamp and contact your dealer if the situation was not caused by the lamp.

Caution: The message is disabled if the lamp light sensor (function "Lamp Sensor" in menu Personality) is switched off.

Lamp Sensor Error

This message informs the lamp light sensor is failed.

Caution: The message is disabled if the lamp sensor (function Lamp Sensor in menu Personality) is switched Off.

Overheated-Lamp Off

This message informs that the fixture head is overheated and the lamp was switched off by its head temperature sensor.

Short Power Error

This message will appear if the fixture was shortly disconnect from the main.

Supply Frequency Error

This message will appear if the frequency of the main is not standard 50 or 60 Hz. This message can appear as a result of the interference during the lamp starting (if the lamp or igniter is old) or as a result of the interference by neighbouring devices. **In these cases the message does not affect the fixture operating!**

Temper.Sensor Error

The message informs you that the communication between the head and the main board in the fixture base was cut off (or the head temperature sensor is defective) and the lamp was automatically switched off.

Power down mode

This message will appear if the fixture is switched to the low power mode (e.g. fixture head is overheated).

The following error messages are separated into 2 groups:

xxxx xxxx Error 1 (e.g. *Colour Wheel 1 Error 1*)

xxxx xxxx Error 2 (e.g. *Colour Wheel 1 Error 2*)

There are some possible reasons of faults:

Message

xxxx xxxx Error 1

Characteristic fault

Magnetic sensor is permanently On (e.g. leading wire is short-circulated, defective stepping motor, defective control circuit on the PCB)

xxxx xxxx Error 1/xxxx xxxx Error 2 Magnetic sensor is permanently Off (e.g. leading wire is disconnected, defective magnetic sensor, missing magnet), defective stepping motor

Colour Wheel Error 1 (Colour Wheel Error 2)

The messages will appear after the reset of the colour wheel if this wheel is not located in the default position.

Zoom Error 1 (Zoom Error 2)

The messages will appear after the reset of the zoom module if the zoom lens is not located in the default position.

Pan Error 1 (Pan Error 2)

The messages will appear after the reset of the yoke if the yoke is not located in the default position.

Tilt Error 1 (Tilt Error 2)

The messages will appear after the reset of the head if the head is not located in the default position.

12. Technical specifications

Power supply:

Voltage:.....100/120/208/230/240V AC, 50/60Hz ~

Live Fuse:.....T 6.3A@230V, T 10A@120V

Neutral Fuse:.....T 6.3A@230V,T 10A@120V

Power consumption:.....720 VA

Lamp:

Philips MSR 575/2, 95V/575W GX-9,5

Optical System:

- High luminous-efficiency glass reflector
- Front Fresnel lenses of diameter 200 mm
- Internal diffusion lens of diameter 136 mm

Colour wheel:

- 5 replaceable 'SLOT&LOCK' dichroic filters (including 6000 K and UV filter) + open

Strobe:

- Strobe effect with variable speed (max.15 flashes per second)

Dimmer:

- Smooth dimmer from 0 - 100 %

Zoom:

- Motorized zoom, angle range depends on the front lens :
Standard front Fresnel lens: 8°-50°
Front wide-angle lens (optional): 87°

CMY-colours mixing module:

- Smooth CMY colour mixing system
- Colour temperature correction filter lowers the colour temperature from 7200K to 3200 K
- 30 colour macros

Motors:

- 13 high quality stepping-motors controlled by microprocessors

Electronics:

- Control via control panel with graphic LCD display and 2 buttons/ rotating wheel
- Readout fixture and lamp usage,receiving DMX values,temperature, etc
- Built-in analyzer for easy fault finding,error messages
- Remotely switching on/off the lamp
- Bilt-in demo sequences
- Black-out while head moving or color changing
- Silent fans cooling,
- Self-resetable thermo-fuse
- Ethernet operation
- Digital serial input DMX-512
- 4 control-channels presettings (16,18,19,21 control channels)
- Support RDM

Pan/Tilt:

- Pan movement range 530°
- Tilt movement range 280°
- 16 bit movement resolution
- Automatic Pan / Tilt position correction
- Remotely controllable speed of pan/tilt movement for easy programming
- Movement control:tracking and vector

Rigging:

- Stands directly on the floor
- Mounts horizontally or vertically with 2 Omega brackets
- 2 truss orientation
- Safety chain/cord attachment point

Temperatures:

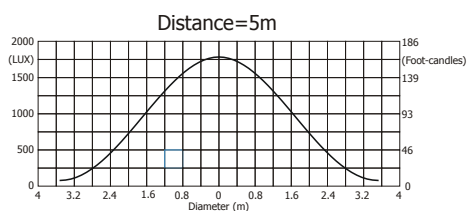
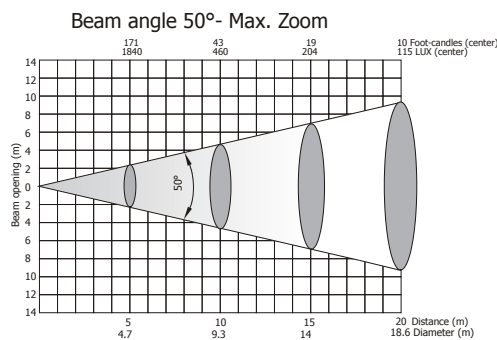
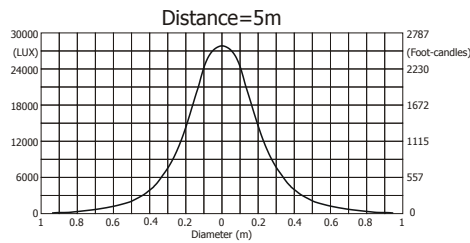
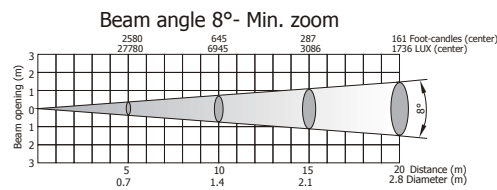
- Maximum ambient temperature : 40° C
- Maximum housing temperature : 85° C

Minimum distances:

- Min.distance from flammable surfaces: 0.7m
- Min.distance to lighted object: 2.0m

Beampath:

Standard Front Fresnel lens

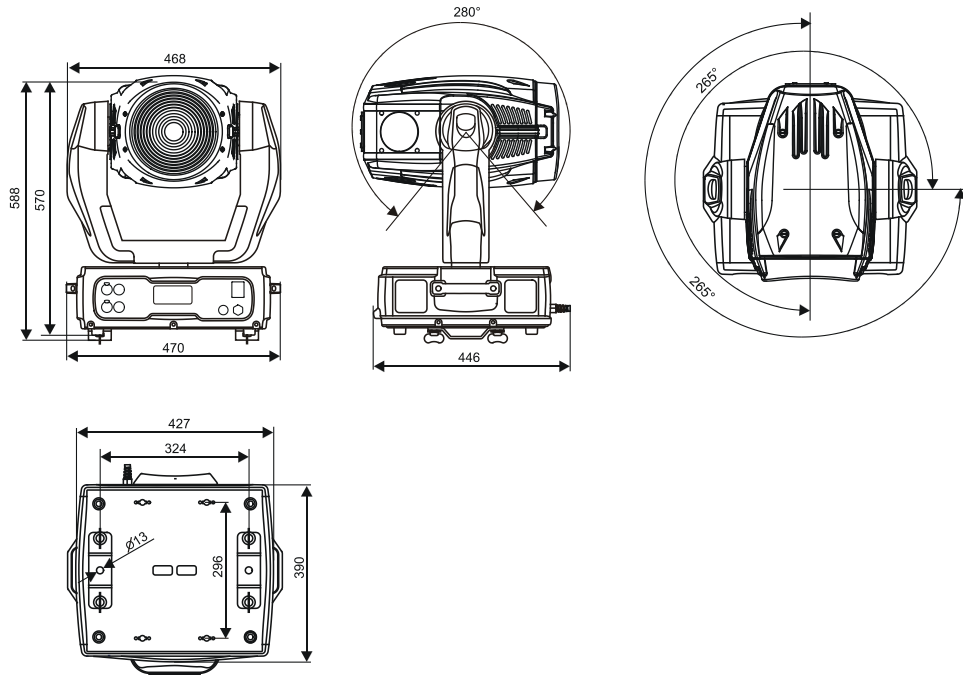


Weight (net):

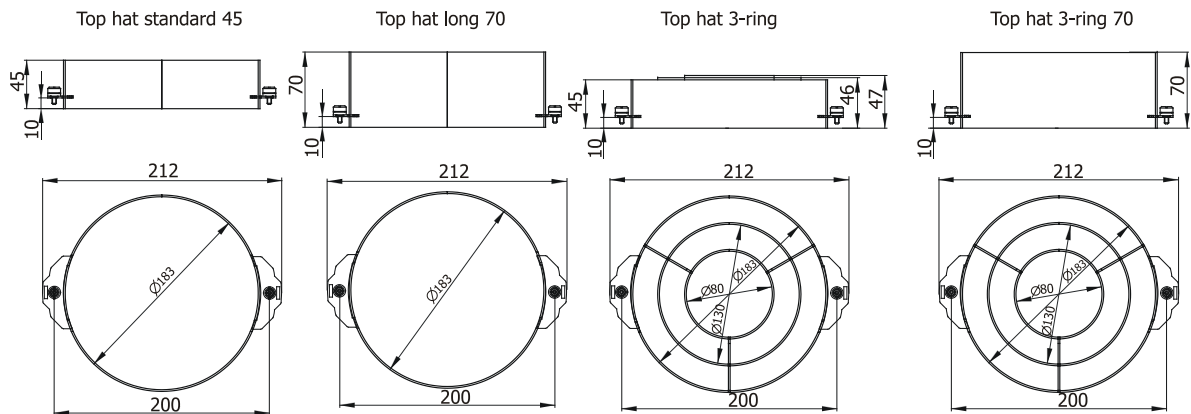
28 kg

Dimensions(mm):

Dimensions of the fixture:



Dimensions of the optional top hats



Accessories:

- Omega holder (2 pieces).....No.99010420

Optional Accessories:

- Flash cable RS232/DMX.....No.13050624
- Module of Front wide-angle lens D200.....No.99011101
- Remote control IR.....No.13050419
- Top hat standard 45No.10980044
- Top hat long 70No.10980045
- Top hat 3-ring 45No.10980046
- Top hat 3-ring 70No.10980050

13. Maintenance and cleaning

It is absolutely essential that the fixture is kept clean and that dust, dirt and smoke-fluid residues must not build up on or within the fixture. Otherwise, the fixture's light-output will be significantly reduced. Regular cleaning will not only ensure the maximum light-output, but will also allow the fixture to function reliably throughout its life. A soft lint-free cloth moistened with any good glass cleaning fluid is recommended, under no circumstances should alcohol or solvents be used!

DANGER !
***Disconnect from the mains before starting any
maintenance work***

The front objective lens will require weekly cleaning as smoke-fluid tends to building up residues, reducing the light output very quickly. The cooling fans and air vents should be cleaned monthly.

The interior of the fixture should be cleaned at least annually using a vacuum-cleaner or an air-jet.

The dichroic colour filters should be cleaned monthly.

There are no serviceable parts inside the device except for the lamp and the fuse.

Please refer to the instructions under "Fitting/Exchanging the lamp".

Maintenance and service operations are only to be carried out by authorized distributors.

Replacing the fuse

If the lamp burns out, the fine-wire fuse of the device might fuse, too. Only replace the fuse by a fuse of same type and rating.

Before replacing the fuse, unplug mains lead.

Procedure:

- 1) Unscrew the fuseholder on the rear panel of the base with a fitting screwdriver from the housing (anti - clockwise).
- 2) Remove the old fuse from the fuseholder.
- 3) Install the new fuse in the fuseholder.
- 4) Replace the fuseholder in the housing and fix it.

